

Argo 6x6
VANGUARD 2



ARGO

VANGUARD2 PARTS MANUAL

Model No. V699-55
From Serial # N13436

Foreword

ODG has prepared this parts manual for the VANGUARD2 model to assist both qualified mechanics and vehicle owners in ordering correct, quality replacement ARGO parts.

Proper and regular service, and replacing old, worn or broken parts with the correct ARGO replacement parts, are both essential to prolonging the life of the ARGO. Please refer to this parts manual before ordering any replacement part.

All information contained in this VANGUARD2 Parts Manual is based on the latest product specification available at time of printing. If your VANGUARD2 differs from the specifications contained in this manual, contact Ontario Drive & Gear Limited for information.

ODG reserves the right to alter specifications on the VANGUARD2 model at any time, without obligation or prior notification.

Reproduction of the VANGUARD2 Parts Manual No. 699-55-3, in whole or in part, is prohibited without prior written permission from Ontario Drive & Gear Limited.

Model Identification

VANGUARD2 - Model No. V699-55

Explanation of Parts Manual Format

- | | |
|--------------------|--|
| Ref | - Reference number between assembly diagram and component parts list |
| Part No. | - Argo replacement part number for identification and re-ordering |
| Description | - Part description for identification and re-ordering |
| Qty | - Indicates the quantity of a part used in an Assembly |

ARGO 6x6 VANGUARD 2



Using the Parts Manual

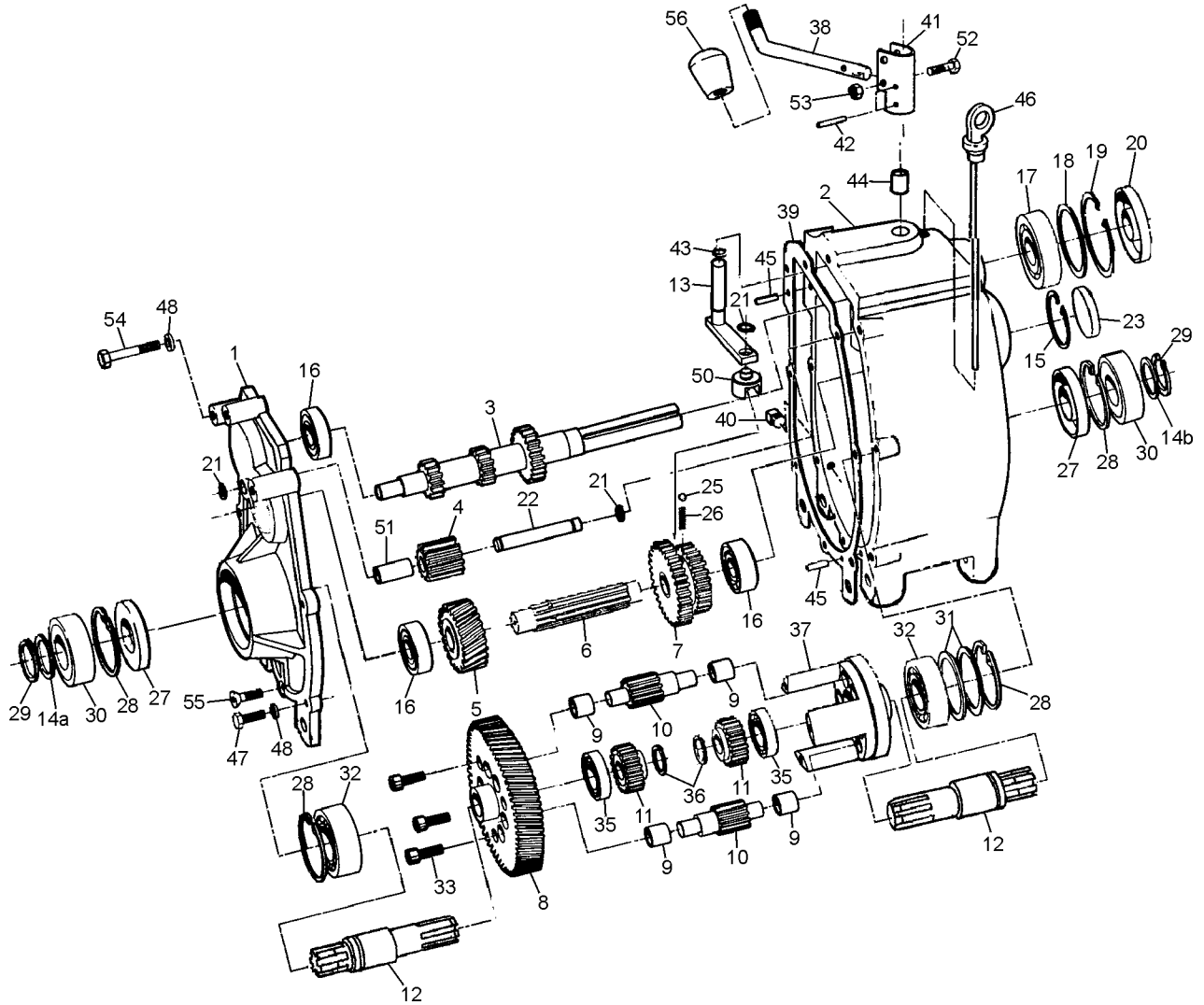
1. Find the major vehicle assembly in the Table of Contents on this page, and turn to that section.
2. Locate the part in the illustration that you wish to order.
3. Refer to the parts list in that section.
4. Find the correct part number (Part No.), part description (Description) and correct quantity (Qty).
5. Use *only* this information to order ARGO replacement parts. *DO NOT* attempt to order a replacement part by reference number or page number.

Table of Contents

Foreword	i
Model Identification	i
Using the Parts Manual	ii
1.0 Transmission	1
2.0 Intake and Exhaust System	3
3.0 Clutch System	4
4.0 Power Pack Assembly	5
5.0 Brake System - Hydraulic	7
6.0 Vehicle Body & Firewall	9
7.0 Frame & Drive System	11
8.0 Fuel System & Seat Assembly	13
9.0 Electrical System	15

1.0 Transmission

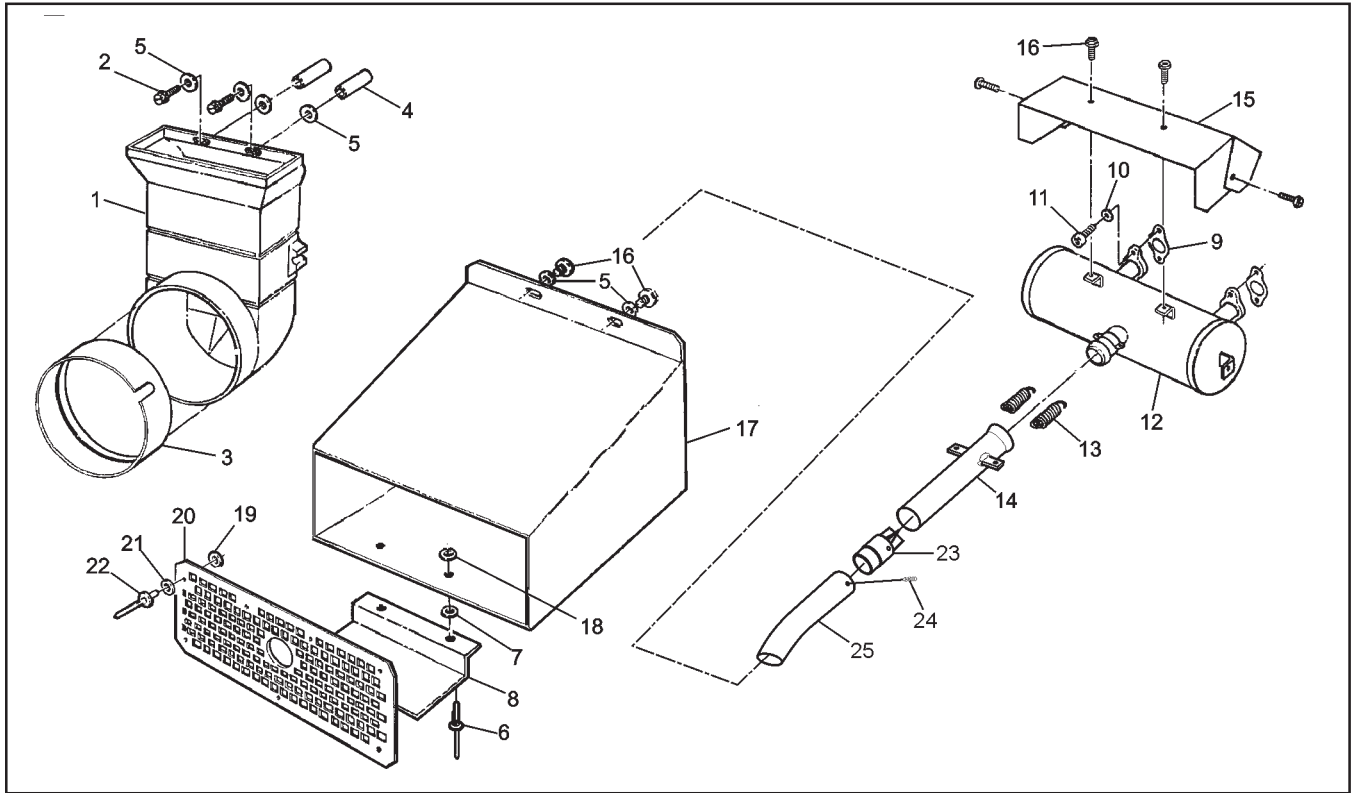
Vanguard2 Parts Manual



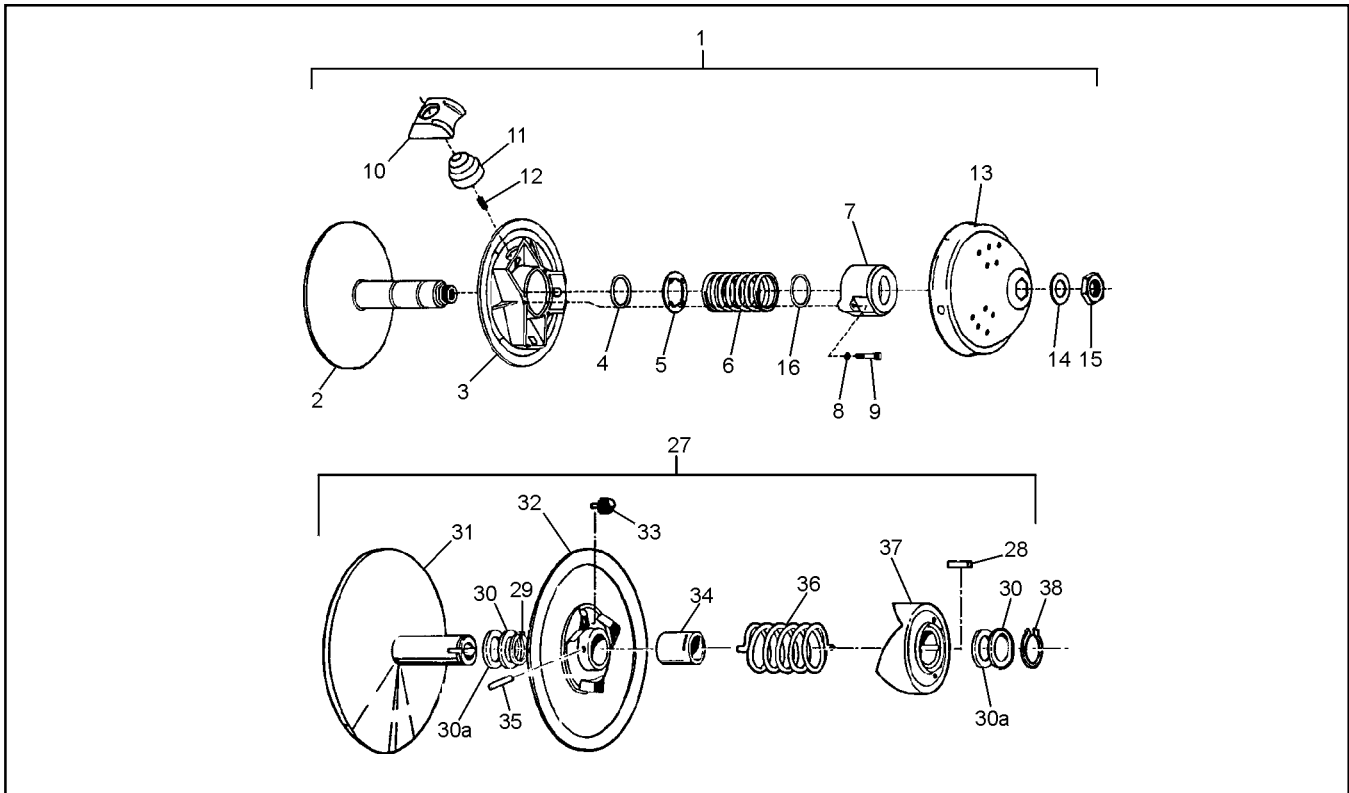
Ref.	Qty.	Part #	Description
.		610-18H	Transmission Asm - H , does not include Refs 38,52,53 &56
1	1	34-68	Cover, Transmission
2	1	34-99	Housing, Transmission
3	1	34-21	Shaft, Input - 13/21T
4	1	34-16A	Gear, Idler 13 T (incl. Ref. 51)
5	1	34-96	Gear, Helical - 26T-H
6	1	34-94	Shaft, Spline
7	1	34-91	Gear, Double - 26/33T
8	1	34-43	Gear Plate - 71T-H
9	12	105-03	Bushing, Oilite ½ x¾
10	6	34-13	Gear, Planet - 12T
11	2	34-14	Gear, Sun - 21T
12	2	34-98	Shaft, Output
13	1	34-65	Shifter Asm
14a	1	114-04	Washer, Shim .040 Thk
14b	1	114-05	Washer, Shim .020 Thk
15	1	106-01	Retaining Ring
16	3	101-01	Bearing, Ball 6204Z-C3
17	1	101-16	Bearing, Ball 6206-C3
18	as req.	114-02	Washer, Shim
19	1	106-05	Retaining Ring
20	1	102-05	Seal, Oil WBS 30x62x10
21	3	107-05	Retaining Ring
22	1	34-11	Pin, Dowel ½ x 3.50
23	1	31-07	Plug plate
25	1	109-05	Ball, Steel 6mm 62-67 Rc
26	1	34-32	Spring, Compression - 7/32 x 0.50
27	2	102-03	Seal, Oil WBS 30x72x10
28	4	106-03	Retaining Ring
29	2	107-02	Retaining Ring
30	2	101-05	Bearing, Ball 6306-2NSE C3
31	2	114-01	Washer, Shim .020x2.25x2.81
32	2	101-03	Bearing, Ball 6207-C3
33	3	103-04	SHCS 5/16-18 x 1.00 Bare
35	2	101-15	Bearing, Ball 6005-C3
36	2	107-04	Retaining Ring
37	1	34-08	Cage
38	1	610-67	Lever, Shift
39	1	34-47	Gasket, Cover - 1/64"Thk
40	1	103-02	Plug, Magnetic 3/8 - 18 NPT Sq. Hd
41	1	34-86	Holder, Shift Lever
42	2	111-01	Pin, Slotted Spring 5/32 x 1.00
43	1	113-01	O-Ring 012-7147
44	1	105-02	Bushing, Oilite 1/2x 1.0
45	2	104-03	Pin, Dowel 1/4 x 7/8
46	1	34-77	Dipstick - with Breather
47	4	103-06	HHCS 5/16-18x1.00 GR5 Zinc
48	7	108-05	Lockwasher 5/16 Zinc
50	1	34-63	Shift Yoke
51	1	105-05	Bushing, Oilite ½ x 1.5 (in Ref 4)
52	1	103-97	HHCS1/4-20x1.25 GR5 Zinc
53	1	117-27	Locknut, Nylon 1/4-20 Zinc
54			See Section 4.0 Power Pack Assembly
55	1	103-95	FHSC 5/16-18x1.0 GR8 Zinc
56	1	126-38	Knob, Shift

2.0 Intake and Exhaust System

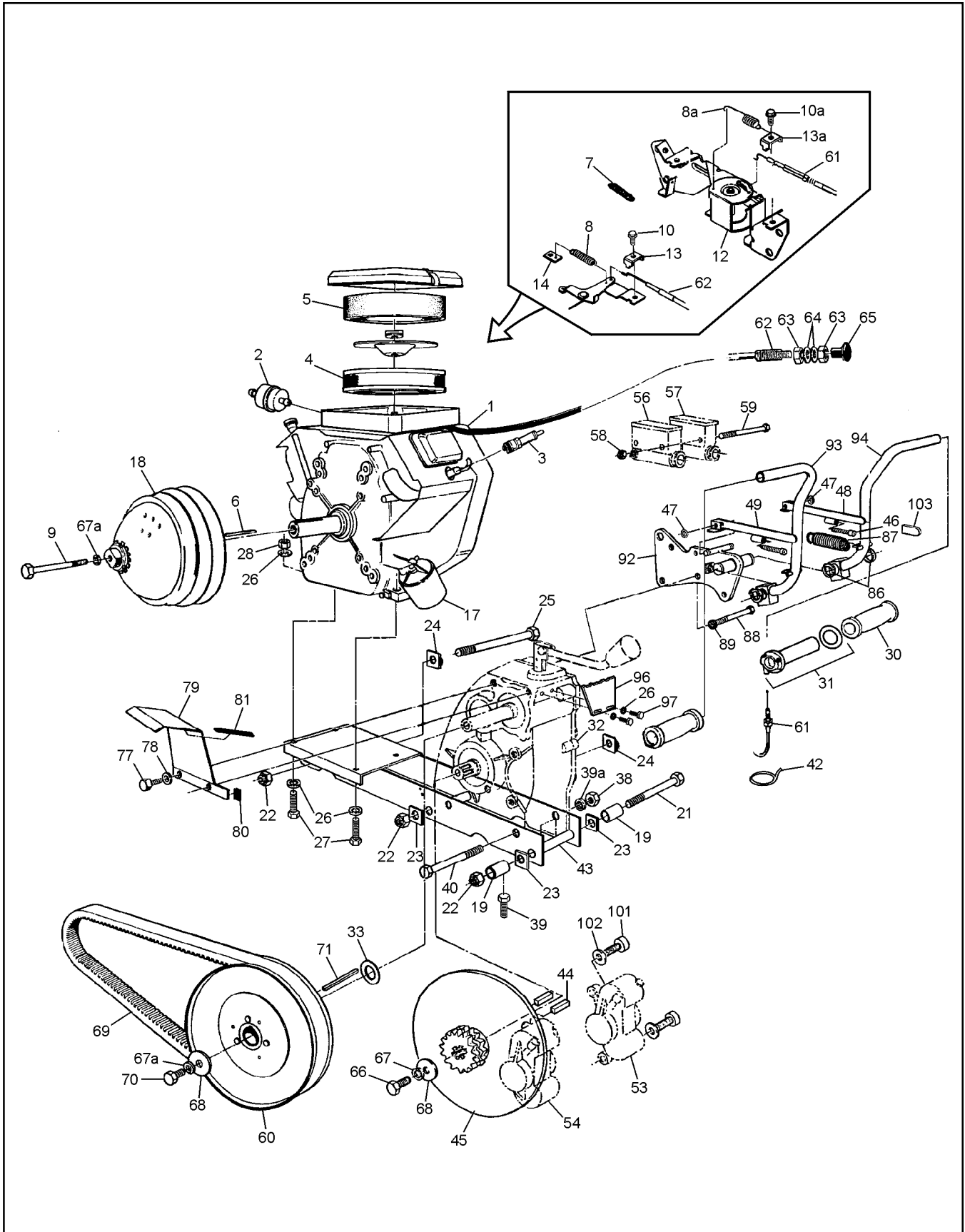
Vanguard2 Parts Manual



Ref.	Qty.	Part #	Description
1	1	603-81	Duct, Intake
2	2	112-48	Screw, T/S HH#14x2.25 Zinc
3	1	603-82	Seal
4	2	120-29	Spacer, .26 ID x 1.12 LG
5	6	108-08	Washer, .28 x .62 x .04 Zinc
6	2	120-13	Rivet 3/16 x 5/8 - Black
7	2	125-58	Washer, Fibre - W-77F
8	1	707-28	Support, Exhaust Duct
9	2	805024	Gasket
10	4	108-02	Lockwasher 5/16 Hi-Collar Bare
11	4	112-30	SHCS M8x1,25x20mm Zinc
12	1	807-90	Muffler, B&S V-Twin Weld Ass'y
13	2	126-57	Spring, Extension- 7/16x2.14
14	1	807-92	Pipe, Mufflertail - B&S
15	1	807-85	Shield, Muffler Heat
16	6	112-19	Screw, IHWH T/C Slot 1/4-20x1/2
17	1	707-32	Duct, Exhaust
18	2	120-04	Washer .19x.50x.08 Zinc
19	7	120-05	Washer .19x.50x.04 Zinc
20	1	707-31P	Screen, Exhaust
21	7	125-59	Washer, Fibre -.062x.25x.50
22	7	120-09	Rivet 3/16 x 1 - Black
23	1	807-67	Spark Arrester
24	1	112-43	Screw, IHWH #8x3/8
25	1	807-89	Tube, Tailpipe Outlet



Ref.	Qty.	Part #	Description
1	1	127-72	Clutch, Driver, keyed incl Refs. 2 to 15, 0400-0028
2	1	0405-0021	Pulley, Half - Fixed
3	1	0410-0007	Pulley, Half - Sliding
4	1	V08	Ring, Retaining D1400-350
5	1	V09	Plate, Spring Guide
6	1	V10-48-108-18	Spring
7	1	0440-0001	Cover, Spring
8	3	420-2453-700	Lockwasher
9	3	222-9640-66	SHCS
10	3	0130-3002	Block, Red
11	3	C13-200	Slug, Lead 200g
12	3	C24-L1	Spring, Anti-Noise
13	1	0115-0015(B)	Cap
14	1	0080-0153	Washer
15	1	0080-0100	Nut
16	1	V08C	Ring, Retaining
27	1	126-24	Clutch, Driven Model "B" SODB0001(incl. Refs. 28 to 37)
28	1	ASK-5	Key 1/4 x 1/4 x 3/4
29	1	ASR-6	Retaining Ring N1400-150
30	as req	ASA-1	Spacer .050" Thick
30a	as req	ASA-1-S	Spacer .025" Thick
31	1	AFK25.4-250OD01	Pulley, Half - Fixed
32	1	AMC-2- 250OD01	Pulley, Half - Sliding incl. Refs.33,34 and 35
33	3	ANS-2-T	Shoe, Cam
34	1	AMB-2	Bushing, Bronze
35	1	111-01	Pin, Spirol 5/32 x 1.00
36	1	ACS-3-188	Spring, Blue
37	1	AFC-4- C3D4	Cam
38	1	371-9031-000	Retaining Ring



Vanguard2 Parts Manual

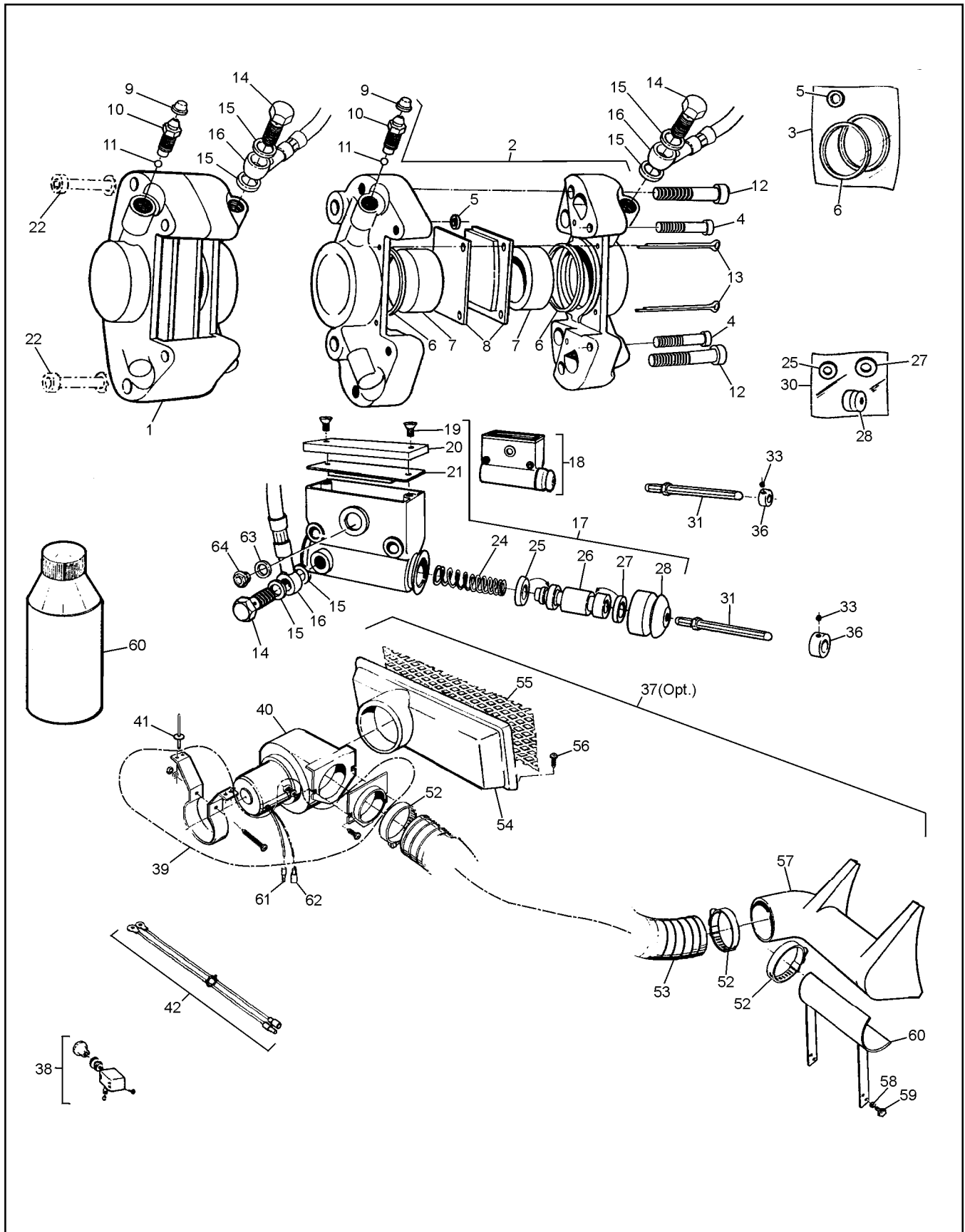
4.0 Power Pack Assembly

Ref.	Qty.	Part #	Description
1	1	126-52	Engine - Vanguard V-Twin 16 HP (incl. Refs 2-14, 17) B&S #3034471026E1
2	1	125-64	Fuel Filter, G 81-4
3	2	126-74	Spark Plug #3926
4	1	394018	Filter, Air (BS#)
5	1	272490	Element - Foam (BS#)
6	1	110-03	Key 1/4x3/16x2.375 RC46
7	1	805523	Spring, Governor - Green
8	1	125-88	Spring, Return
8a	1	127-49	Spring, Return
9	1	112-28	HHCS, 3/8-24x4.5 GR5 Zinc
10	1	805169	Screw-Hex Head (BS #)
10a	1	805169	Screw-Hex Head (BS #)
13	1	805170	Clamp - Casing (BS #)
13a	1	805170	Clamp - Casing (BS #)
14	1	601-86	Clip, Retainer
17	1	126-95	Filter, Oil
18			See Section 3.0 Clutch
19	2	811-14	Spacer
21	1	112-57	HHCS 5/8-11x10.00 Gr5 Zinc
22	3	117-09	Locknut, Nylon 5/8-11 Zinc
23	3	811-09	Washer, Square .64ID
24	2	811-15	Washer, Square Lock .64ID
25	2	112-58	HHCS 5/8-11x7.50 Gr5 Zinc
26	10	108-24	Washer 5/16 SAE Zinc
27	4	112-27	HHCS 5/16-18x1.75 Gr5 Zinc
28	4	117-21	Locknut, Nylon 5/16-18Zinc
30	2	127-35	Grip, Molded Rubber
31	1	127-81	Throttle Twist Grip
32			See Section 1.0 Transmission
33	as req	108-36	Washer .06x1.00x1.375 Zinc
38	2	117-06	Nut, Fin Hex 1/2-13 Zinc
39	2	103-53	HHCS 3/8-16x3.0 Full Thread
39a	2	108-07	Lockwasher 1/2 Zinc
40	2	103-20	HHCS 1/2-13x6.5 Gr5 Zinc
42	1	100-64	Tie-Wrap
43	1	611-71	Frame-Power Pack Van.
44	4	110-14	Key 1/4x1/4x1.25
45	2	610-76	Brake Disc-#40-2x15Tw/hole

Ref.	Qty.	Part #	Description
46	2	103-69	SHCS 1/4-20x1.50 Zinc
47	2	113-02	O-Ring #106-7147
48	1	810-21	Lever, Assem., Brake - RH
49	1	810-20	Lever, Assem., Brake - LH
53 to 57			See Section 5.0 Brake System
58	2	117-27	Locknut, Nylon 1/4-20 Zinc
59	2	103-66	HHCS 1/4-20x4.00 Gr5 Zinc
60			See Section 3.0 Clutch System
61	1	612-101	Cable Asm, Throttle
62	1	612-92	Cable Asm, Choke incl. 63
63	2		Jam Nut, 5/16-24, Part of 62
64	2	108-24	Washer 5/16 SAE Zinc
65	1	126-75	Knob, Choke - Black
66	2	103-18	HHCS 3/8-24x1.25 Gr5 Zinc
67	2	108-06	Lockwasher, 3/8 S/R, Zinc
67a	1	108-06	Lockwasher, 3/8 S/R, Zinc
67b	1	108-06	Lockwasher, 3/8 S/R, Zinc
68	3	108-18	Washer 13/32x1.375 x 11GA
69	1	125-56	Drive Belt
70	1	103-34	HHCS 3/8-16x1.25 Gr5 Zinc
71	1	110-09	Key 1/4 x 1/4 x 3.0
77	2	103-17	HHCS 3/8-16x1.00 Gr5 Zinc
78	2	108-26	Washer 3/8 Zinc
79	1	603-29	Guard, Belt Protect
80	1	601-92	Vinyl Trim - 1.5"
81	1	601-93	Vinyl Trim - 4.25"
86	4	106-07	Retaining Ring N1400-75
87	2	127-33	Spring, Extension-Strg Lever
88	3	103-55	HHCS 5/16-18x2.75 Gr5 Zinc
89	3	108-05	Lockwasher 5/16 Zinc
92	1	812-01	Bracket Asm., Steering
93	1	812-27	Lever Asm., Steering - LH
94	1	812-26	Lever Asm., Steering - RH
96	1	610-81	Shift Gate, Transmission
97	2	112-01	HHCS 5/16-8x3/4 Gr5 Zn
101	4	103-41	SHCS, 3/8-16x1.25 Zinc
102	4	108-23	Washer 3/8 SAE Gr8 - Dich.
103	2	126-89	Cap, Vinyl - Black

5.0 Brake System - Hydraulic

Vanguard2 Parts Manual



Ref.	Qty.	Part #	Description
1	1	166-01RM	Caliper, Brake - L w/o pads (incl. Refs. 5,6,7,9-12)
2	1	166-02RM	Caliper, Brake - R w/o pads (incl. Refs. 5,6,7,9-12)
3	2	161-01	O-Ring Kit, Caliper (incl. Refs. 5 & 6)
4	2	160-40	SHCS M8x1,25x40 Zinc
5	1		Seal, Rubber - 5mm (see Ref. 3)
6	2		Seal, Piston - 41mm (see Ref. 3)
7	2x2	168-05	Piston 41mm
8	1	170-01	Brake Pad Set (4) - non-asbestos
9	1x2	168-20	Plug, Rubber
10	1x2	168-03	Screw, Bleeding M10x1,0
11	1x2	109-03	Ball, Check - 7/32 dia.
12	2x2	160-41	SHCS M10x1,5x50mm Zinc
13	2x2	168-06	Pin, Cotter 3,2x50mm
14	4	160-44	Bolt, Banjo - M10x1,0x21,0 Zinc
15	8	160-01	Washer, Copper - 1,5x10,0x14,0
16	1x2	163-01	Hose Asm., Hydraulic-310mm
17	1	165-06	Master Cylinder, (incl. Refs 19 to 21, 24 to 28, 63 & 64)
18	1	165-05	Master Cylinder, (incl. Refs 19 to 21, 24 to 28, 63 & 64)
19	2x2	160-42	FHMS M5x0,8x6mm
20	1x2	168-08	Cover
21	1x2	168-09	Cover, Rubber
22			See Section 4.0 Power Pack Assembly
24	1x2	162-02	Spring, Return
25	1x2		Seal, Primary, 19mm (See Ref. 30)
26	1x2	168-10	Piston 19mm dia.
27	1x2		Seal, Secondary, 19mm (See Ref. 30)
28	1x2		Boot, Rubber, (See Ref. 30)
30	1x2	161-25	O-Ring Kit - Master Cylinder (incl. Refs 25, 27 & 28)
31	2	812-13	Pin Asm., Plunger-Adjustable
32	2	812-17	Collar
33	2	112-02	SHSS 10-24x1/4 Knurl Cup Pt., PL
34		126-19	Fluid, Brake-Silicon Dot 5 - .35L
37	1	668-03	Brake Cooling Kit-Van2 37
38	1	100-62	Switch, Light
39		125-92	Adpt. & Mounting Kit (incl. Refs. 43 to 50)
40	1	125-91	Blower Fan
41	4	120-13	Rivet 3/16" x 5/8"
42	1	613-05	Wire Harness
43	1		Mounting Bracket
44	1		Nut, #10-32
45	1	See 125-92 above	Lockwasher, 3/16"
46	1		Screw, #10-32 x 2"
47	2		Nut, 1/4-20
48	2		Lockwasher, 1/4"
49	2		Screw, 1/4-20 x 5/8"
50	1		Adaptor, 3" dia.
52	3	125-35	Clamp, Gear 3.50" HF-52
53	1	127-44	Hose, Intake 3" dia. x 46"
54	1	601-89	Intake Flange (specify clr)
55	1	126-61	Intake Screen
56	4	112-56	Pan HD Phil T/S #10x3/4 A Zinc
57	1	127-39	Brake Cooling Duct
58	4	108-03	Lockwasher 1/4 Split Ring
59	4	112-19	Screw, IHWH T/C Slot 1/4-20x1/2
60	1	668-11	Mounting Bracket - Duct
61	1	118-02	Terminal, Male - #76-1251
62	1	118-03	Terminal, Female - #76- 1289
63	1x2	160-03	O-ring, Oil Window
64	1x2	168-14	Oil Window, Master Cylinder

Vanguard2 Parts Manual

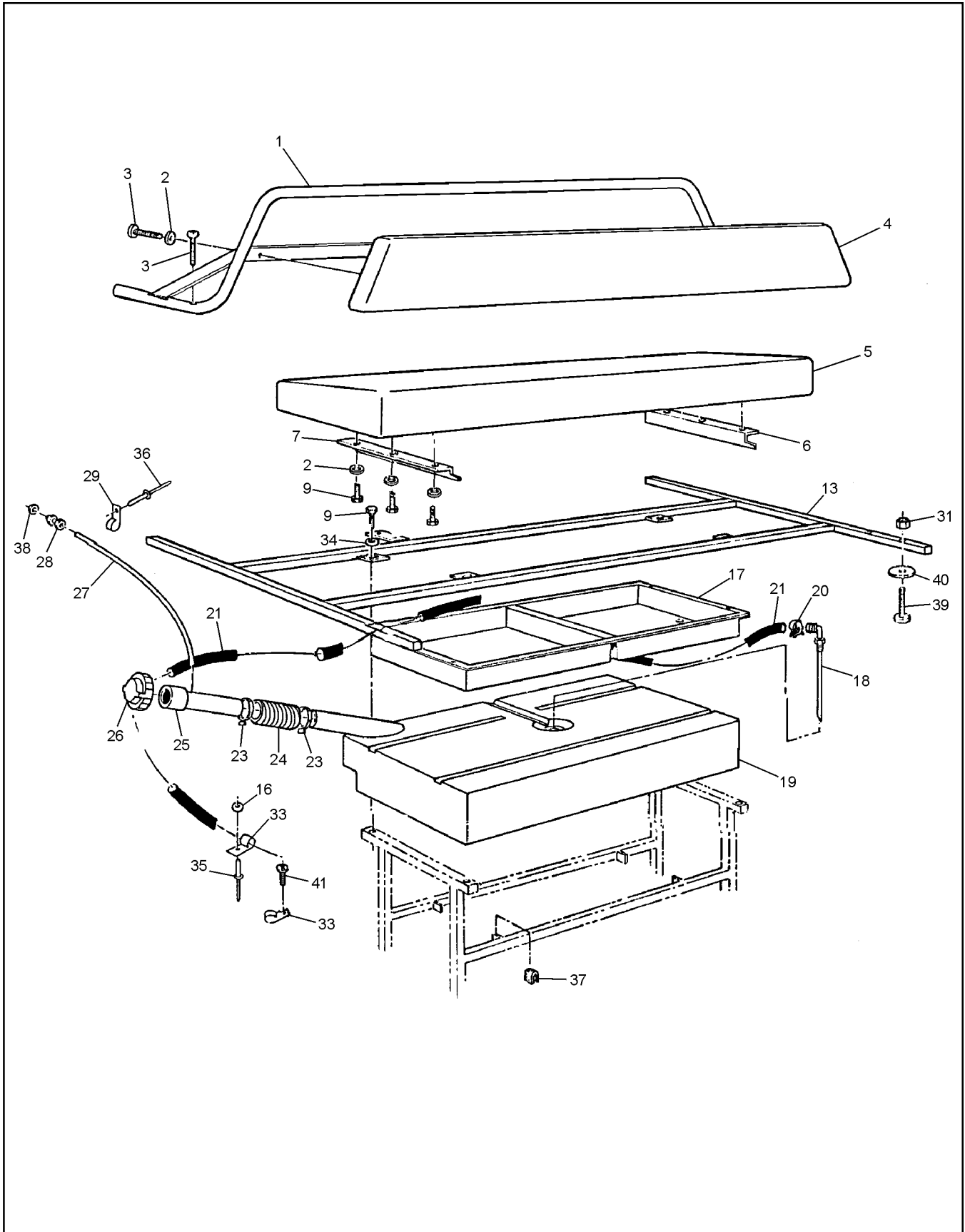
6.0 Vehicle Body & Firewall

Ref.	Qty.	Part #	Description
1	1	601-32	Body + Hood, Upper - VAN2, spec. clr., (incl. Ref 5, 11, 12, 13, 14, 15, 38)
2	1	603-92BL	Body, Lower - 6x6, Black
3	1	127-28	Plug, Nylon - Black
4	1	601-05	Bumper, Vinyl - 6 x 6
5	1	602-37	Hood Kit, Van2, specify colour
6	1	801-47	Duct, Intake Transition, specify colour
7a	2	127-45A	Pin, Hinge
7b	2	127-45B	Knuckle, Hinge
8a	8	103-47	HHCS 10-24 x 1/2
8b	7	120-13	Rivet 3/16 x 5/8
8c	5	120-13	Rivet 3/16 x 5/8
8d	5	120-09	Rivet 3/16 x 1
9	1	126-10	Wing Stud
10	1	126-09	Grommet, Alum, #GH-7
11	1	602-24	Hood Support Assembly
12	2	120-15	Rivet 1/8 x 7/16
13	1	601-69	Spring Plate
14	1	126-11	Spring
15	2	112-19	Screw, IHWH T/C Slot 1/4-20 x 0.5"
16	1	602-29	Brace, Dash
17	1	601-08	Vinyl Trim, 84"
18	2	601-09	Vinyl Trim, 28"
19	1	626-10	Hitch Kit (Opt.)
25	4	117-44	T-Nut 1/4-20 PL
26	38	120-24	Rivet, Alum, 3/32x3/8-all plates
27a	46	120-09	Rivet, 3/16 x 1
27b	25	120-09	Rivet, 3/16 x 1
28	1	601-44	Nameplate, "ARGO"
28a	2	127-41	Nameplate, 6x6 Vanguard2
31	1	609-33	Firewall Asm. (incl 9, 10, 26, 32, 51)
32	1	125-84	Grommet, Rubber
34	1	803-02	Floor Pan, Front, specify colour
35	1	603-03	Floor Pan, Rear 6x6, specify colour

Ref.	Qty.	Part #	Description
36a	46	120-04	Washer, .195x.50x.08 Zinc
36b	2	120-05	Washer, .195x.50x.04 Zinc
36c	5	120-04	Washer, .195x.50x.08 Zinc
37	1	126-60	Vinyl Strip 1/2"x1/4"x37.5'
38	2	120-05	Washer, .19x.50x.04 Zinc
39	4	100-16	Clip, Hitch Pin 1.625 Zinc
40	2	100-18	Plug, Drain 5/8" x 13/32"
41	1	601-03	Seat, Rear LH - 6x6
42	1	601-02	Seat, Rear RH - 6x6
43	2	603-15	Washer, Plastic
44	2	108-01	Washer, Fender 1/4 SAE Zinc
45	2	103-08	HHCS 1/4-20 x 1.00 Zinc
50	1	127-97	Plate, Caution - Keyswitch
51	1	126-65	Shifting Plate
53	1	126-67	Floor Pan Plate
54	1	126-68	Operation Plate
55	1	126-69	Fuel Plate
56	1	127-76	Plate, Capacity - Land/Water
57	1		Vehicle ID Plate
58	1		U.S. Plate, Non U.S. Argos only
59	1	127-51	Plate, Capacity - 6x6
61	1	125-41	Dash Handle, incl. 62
62	2		Plug cap, avail. only with 61
63	3	117-10	Locknut, Nylon #10-24 Zinc
64	1	126-88	Bumper, Rubber
65	3	103-25	PHMS #10-24 x 3/4" Zinc
66	1	602-38	Clip, Hood
67a	2	613-75	Bezel, Headlamp
67b	2	613-76	Bracket, Headlight Backing
68			See Section 9.0 Electrical System
69	8	103-24	OHPS T/S #6 x 1.00 Black
73	1	117-15	Nut, Fin. Hex 3/8-16 Zinc
74	1	602-27	Support, Adjustable
75	1	103-89	C/Bolt 3/8-16 x .75 Gr2 Zinc
76	1	108-06	Lockwasher, 3/8 S/R, Zinc
80	2	127-01	Reflector, Red
81	4	103-48	Pan HD Phil T/S #10x5/8 A Zinc
83	8	108-59	Lockwasher, #10 Int. tooth, Zinc

Ref.	Qty.	Part #	Description
1	1	606-60	Frame Asm - 6x6
3	64	117-15	Nut, Fin Hex 3/8-16 Zinc
4	12	108-46	Washer .40x1.37x.12 Hi-Carbon
5	6	101-35	Bearing, Ball - 1.25
5a	10	101-41	Bearing, Ball - 1.0
6	66	108-06	Lockwasher 3/8 Zinc
7	22	103-88	C/Bolt 3/8-16x1.0 GR5 Zinc
8	10	605-99	Gasket, Flange - Inner
9	12	605-89	Gasket,Outer Bearing Flange
10a	16	605-63	Flange - 4-hole
10b	10	101-20	Flange Greasable - 4 Hole
11	6	102-14	Seal, Oil 1.25x1.75x0.188
12	6	102-15	Seal, Oil 1.25x1.874x0.25
13	6	605-97	Flange Assem, Outer (incl. Refs. 11 & 12)
14	24	112-39	C/Bolt 3/8-16x1.75 GR5 Zinc
16	4	112-60	SHSS 1/4x28x1/2 Cup Pt.
17	1	606-30	Idler Asm. - L4x11T 2x24T
18	1	606-31	Idler Asm. - R4x11T 2x24T
19	5x6	103-80	Stud, Wheel 7/16-20 x 1.125 #B271
21	6	810-75	Axle Assembly (incl. Ref. 19)
23	1	604-84	Frame Assembly, Battery
24	4	810-28	Sprocket, Double - 24T
25	4	606-34	Sprocket - S60x19T
26	6	112-03	SHSS 5/16-18x3/8 1/2 DOG, PL
27	2	603-22	Chain, Idler RC40-2 x 46P (incl. Ref 51)
28	4	117-64	Insert, 1/4-20
29	10	112-31	HHCS 3/8-16 x 1.0 2B GR8 Zinc
30	2	112-14	HHCS 3/8-16x.75 GR5 Zinc
31	1	108-15	Washer 3/8 SAE Zinc
32	2	103-82	HHCS 3/8-16x1.5 GR5 Zinc
33	4	112-61	C/Bolt 3/8-16x1.25 GR5 Zinc
34	2	120-15	Rivet 1/8x7/16
35	1	126-11	Spring
36		127-80	Link, Half - RC60 - 1 (opt.)
43	2	603-17	Chain RC50 - 2x42P - Front (incl. Ref 53)
44	2	603-26	Chain RC50 - 2x76P - Mid (incl. Ref 53)
45	2	603-83	Chain RC60 - 1x88P - Rear (incl. Ref 54)
46	5x6	117-35	Nut, Wheel 7/16-20 Zinc
47	6	125-26	Valve, Tire
48	6	125-13C	Rim - 8x7 - 5 bolt - Charcoal
49	6	126-96	Tire, Goodyear Runamuk 22x10-8
51	1x2	100-97	Con. Link, RC40-2 H.D.
52	4	100-01	Pin, Cotter 1/8 x 1.50 Zinc
53	1x4	100-96	Con. Link, RC50-2 H.D.
54	1x2	603-84	Con. Link, RC60-1 STD.
55	4	127-65	Spring Torsion - 1.16x0.35
56	4	606-39	Slider Block - 1/2" Shaft
57	4	606-35	Tensioner Asm, Chain
58	4	127-64	Spring, Torsion - .76 x 1.9
59	2	606-41	Slide, Chain - 2"
60	2	606-42	Slide, Chain - 1.25"
61	6	603-95	Spring Clip - RC 50 Closed
62	4	603-96	Spring Clip - RC 60 Closed

8.0 Fuel System & Seat Assembly Vanguard2 Parts Manual

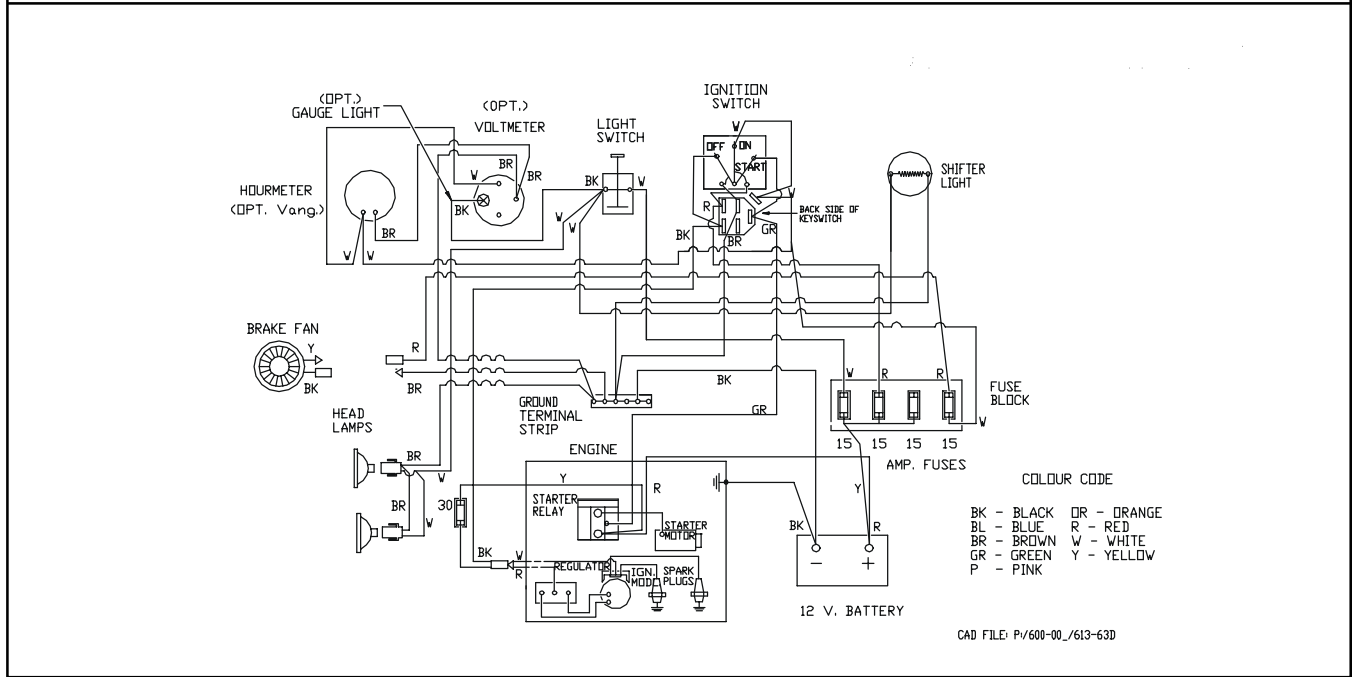
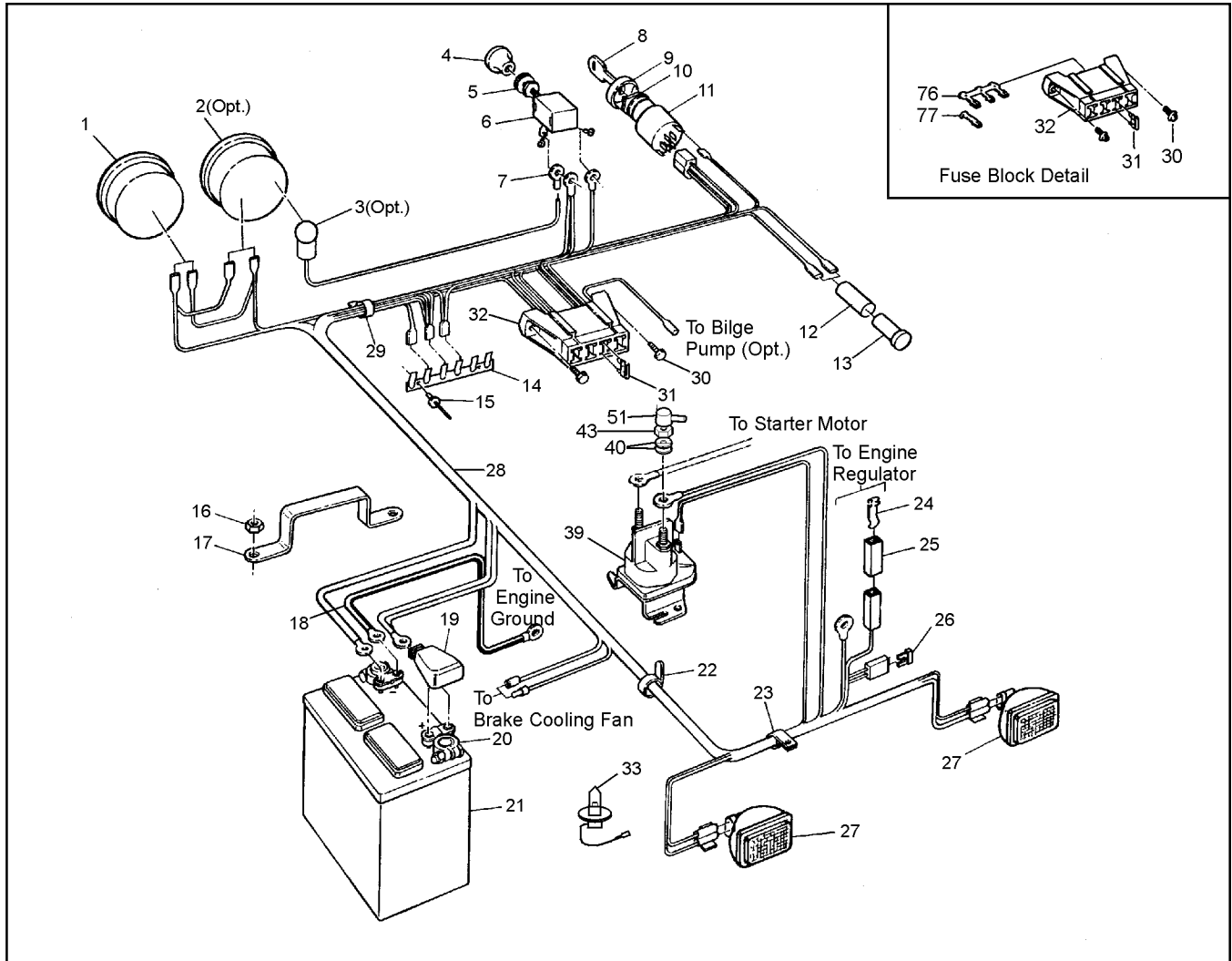


Vanguard2 Parts Manual 8.0 Fuel System & Seat Assembly

Ref.	Qty.	Part #	Description
1	1	803-50	Handrail Assembly
2	4	108-03	Lockwasher, 1/4 split ring Zinc
3	6	112-41	PHMS, PHIL 1/4-20x1.250 Zinc
4	1	608-39	Back Pad Assembly
5	1	608-43	Seat, Bench
6	1	608-30	Angle, Left
7	1	608-31	Angle, Right
9	10	112-04	HHCS 1/4-20x3/4 Gr2 Zinc
10	6	108-03	Lockwasher 1/4 split ring Zinc
13	1	804-17	Frame Assembly, Seat
16	3	120-04	Washer, .195x.50x.08 Zinc
17	1	608-32	Tool Box
18	1	608-28	Pickup Assembly, Fuel (see Ref. 19)
19	1	608-24	Tank, Fuel 32 litre (incl. Ref. 18)
20	2	112-79	Clamp, Hose, 1/2" - Black
21	1	608-42	Fuel Hose, 110"
23	2	100-12	Clamp, Gear 2.25" HF36
24	1	125-94	Hose, Filler
25	1	126-47	Fuel Neck Assembly
26	1	126-46	Cap, Fuel
27	1	126-77	Hose, Vent 93" 6x6
28	1	126-50	Male Connector, 1/4"
29	4	126-94	Clamp, Nylon Wire, 1/4" ID
30	4	112-04	HHCS 1/4-20 x 3/4 Gr2 Zinc
31	12	117-10	Locknut, Nylon #10-24 Zinc
33	4	126-93	Clamp, Nylon Wire, 1/2" ID
34	4	108-08	Washer, .28 x .62 x .04 Zinc
35	3	120-09	Rivet, 3/16 x 1
36	6	120-13	Rivet, 3/16 x 5/8
37	4	702-06	Foam Cushion
38	1	117-54	Locking PAL Nut, 1/2-20 Zinc
39	12	112-07	RHMS, 10-24 x 1.25 Zinc
40	12	108-42	Washer, .062 x 7/32 x 1.00 Zinc
41	1	103-48	T/S Pan HD Phil #10-5/8 A Zinc

9.0 Electrical System

Vanguard2 Parts Manual



Ref.	Qty.	Part #	Description
1	1	632-15	Hourmeter #56458-10 (#876EM)
2	1	633-10	Voltmeter #07583-15 (#830EM) (opt.)
3	2	634-10	Light Kit, #06215-00 5/8" dia, see Ref. 32 & 33 (opt.)
4	1	126-76	Knob, Light
5	1	108-55	Lockwasher 7/16 Ext. Tooth
6	1	100-62	Switch, Light
7	1	118-30	Terminal, Eye - #10
8	2	127-108	Key,molded
9	1	127-107	Cover, nut
10	1	127-106	Nut, flanged - plastic
11	1	127-105	Switch - Egnition
12	1	118-48	Heat Shrink
13	1	634-08	Light, Indicator
14	1	613-37	Terminal Strip, Ground
15	2	120-15	Rivet 1/8 x 7/16
16	2	117-21	Locknut, Nylon 5/16-18 Zinc
17	1	604-52	Bracket, Battery Retaining
18	1	613-14	Ground Wire
19	1	127-55	Cap, Battery Terminal - Red
20	2	127-56	Terminal, Battery Post
21	1	127-54	Battery
22	8	100-64	Tie Wrap - 5.5" - Black
23	10	126-93	Clamp, Nylon Wire - 1/2" ID
24	1	118-56	Contact
25	1	118-57	Connector Housing
26	1	118-51	Fuse, 30A 2-prong (AT030)
27	2	613-69	Headlamp, Halogen (incl. Ref. 33)
28	1	613-63	Wire Harness
29	1	127-24	Clamp, Nylon - 1" ID
30	2	112-51	Screw, IHWH T/C #10-24x5/8
31	4	118-49	Fuse, 15 A 2-prong (AT015)
32	1	118-60	Block Fuse - 8 position (4 fuse)
33	2	127-46	Bulb, Headlight - Halogen
39	1	613-68	Starter Relay
40	5	108-03	Lockwasher 1/4 Zinc
43	2	117-20	Nut, Fin. Hex 1/4-20 Zinc
51	1	613-45	Insulator, Terminal (6 ga.)
76	1	118-63	Terminal, Fuse - Triple
77	5	118-62	Terminal, Fuse - Single

ARGO Products Manufactured by:

Ontario Drive & Gear Limited

P.O. Box 280, 220 Bergey Court
New Hamburg, Ontario
Canada N0B 2G0
Phone: (519) 662-2840
Fax: (519) 662-2421

ODG *Dedicated to quality and performance*