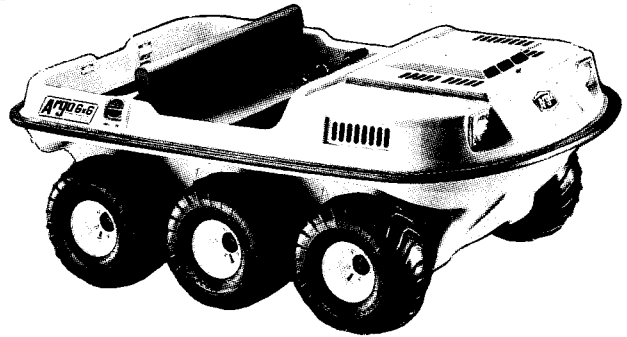


Argo 6x6
VANGUARD



ARGO

VANGUARD Parts Manual

Model No. V693-22

From Serial # S-6999

Foreword

ODG has prepared this parts manual for the 6 VANGUARD Model to assist both qualified mechanics and vehicle owners in ordering correct quality replacement ARGO parts.

Proper and regular service, and replacing old, worn or broken parts with the correct ARGO replacement parts, are both essential to prolonging the life of the ARGO. Please refer to this parts manual before ordering any replacement part.

All information contained in this VANGUARD Parts Manual is based on the latest product specification available at time of printing. If your 6 VANGUARD differs from the specifications contained in this manual, contact Ontario Drive & Gear Ltd. for information.

ODG reserves the right to alter specifications on the S Model at any time without obligation or prior notification.

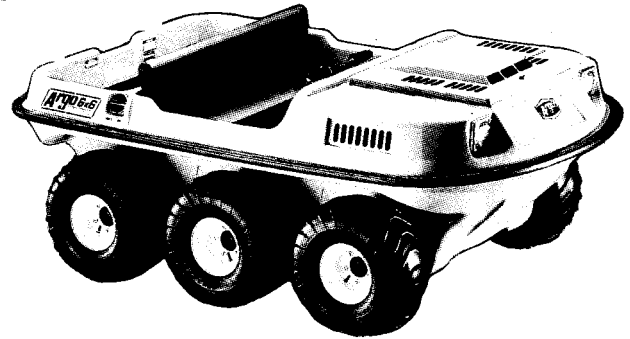
Reproduction of the **VANGUARD Parts Manual No. 693-22**, in whole or in part, is prohibited without prior written permission from Ontario Drive & Gear Ltd.

Model Identification

6 VANGUARD - Model NO. V693-22

Explanation of Parts Manual Format

- Ref. No. between Assembly Diagram and Component Parts List
- Part No. - Argo replacement part number for identification and re-ordering
- Description - Part Description for identification and re-ordering
- Indicates the quantity of a part used in an Assembly



Using the Parts Manual

1. Find the major vehicle assembly in the Table of Contents on this page, and turn to that section.
2. Locate the part in the illustration that you wish to order.
3. Refer to the parts list in that section.
4. Find the correct part number (Part No.), part description (Description) and correct quantity (Qty.)
5. Use **only** this information to order ARGO replacement parts. **DO NOT** attempt to order a replacement part by Ref number or Page number.

Table of Contents

Foreword	i
Model Identification	i
Using the Parts Manual	ii
1.0 Transmission	1
2.0 Exhaust System	3
3.0 Clutch System	3
4.0 Power Pack Assembly	5
5.0 Brake System	7
6.0 Vehicle Body & Firewall	9
7.0 Frame & Drive System	11
8.0 Fuel System & Seat Ass'y	13
9.0 Electrical System	15

6. Unless otherwise stated in either the Group Parts List or Diagram, all parts references apply to the 6 VANGUARD Model.

1.0 Transmission

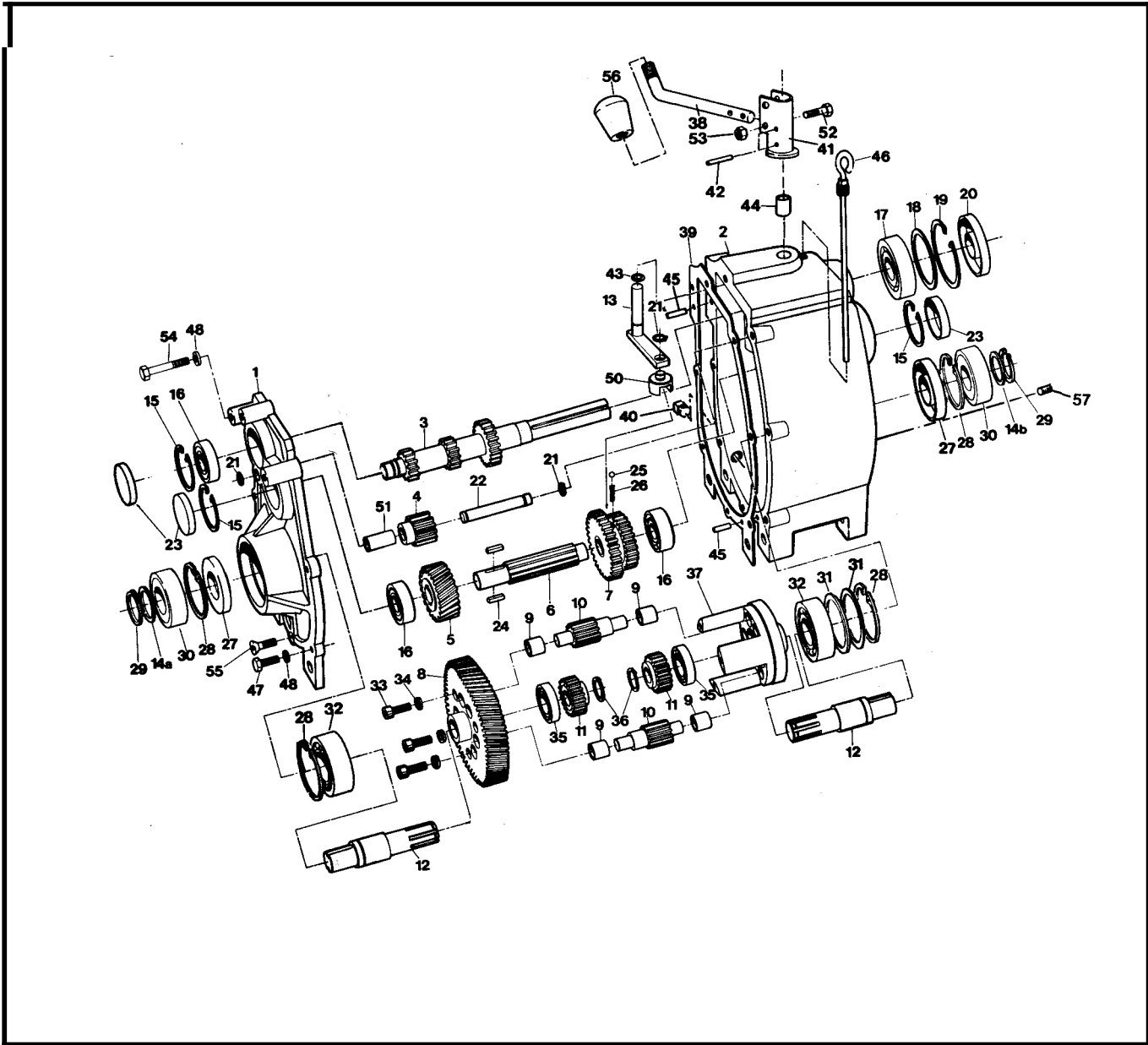


Fig. 1 Diagram of the Transmission Assembly

1.0 Transmission

Ref.	Part No	Description	Qty.	Ref.	Part No	Description	Qty.
	610-17	HR Transmission, does not include Refs 38,52,53,& 56;		31	114-01	Shim washer, .020" thick	2
1	34-68	Side Cover, Aluminum	1	32	101-03	Bearing, 6207	2
2	34-69	Housing, Aluminum	1	33	103-04	SHCS, 5/16-18 x 1"	3
3	34-21	Input Shaft, 13/ 21 T	1	34	108-02	HC Lockwasher, 5/16"	3
4	34-16A	Reverse Idler 13 T, incl Ref.5"	1	35	101-15	Bearing, 6005	2
5	34-40	Helical Gear, 26 T	1	36	107-04	Retaining Ring, ID .910 "	2
6	34-92	Spline Shaft, double speed	1	37	34-08	Cage, Aluminum	1
7	34-91	Double Gear, 33 / 26 T	1	38	610-67	Shift Lever Rod	1
8	34-43	Helical Gear Plate, 71 T	1	39	34-47	Cover Gasket, .015 " thick	1
9	105-03	Oilite bushing 3/4" Lg.	12	40	103-02	Plug, Magnetic 3/8-18 NPT.	1
10	34-13	Planet Gear, 12 T, OD 1.130 "	6	41	34-86	Shift Lever Holder Assembly	1
11	34-14	Sun Gear, 21 T, OD 1.880 "	2	42	111-01	Spirol Pin, 5/32 x 1"	2
12	34-81	Output Shaft	2	43	113-01	O-Ring #12, .070 " thick	1
13	34-65	Shifting Sub-assembly	1	44	105-02	Oilite Bushing, AA628	1
14a	114-04	Shim washer, .040" thick	2	45	104-03	Dowel Pin, 1/4 x 3/4 " long	2
14b	114-05	Shim washer, .020" thick	2	46	34-31	Dipstick	1
15	106-01	Retaining ring, OD 2.054 "	3	47	103-06	HHCS, 5/16-18 x 1"	4
16	101-01	Bearing, 62042	3	48	108-05	Lockwasher, 5/16"	7
17	101-16	Bearing, 6206	1	50	34-63	Shift Yoke	1
18	114-02	Shim Washer, OD 2.4219 "	1	51	105-05	Oilite Bushing, 1-1/2" Lg. in Ref.4	1
19	106-05	Retaining ring, OD 2.702 "	1	52	103-97	HHCS 1/4-20x 1-1/4 "	1
20	102-05	Oil seal, 30 x 62 x 10mm	1	53	117-27	Nylon Locknut, 1/4-20	1
21	107-05	Retaining ring, ID 0.461 "	3	54	103-84	HHCS, 5/16-18 x 2-1/4 long	3
22	34-11	Dowel pin, 1/2 x 3-1/2 " long	1	55	103-95	FHMS, 5/16-18 x 1"	1
23	31-07	Plug plate, 18 Gauge steel	3	56	126-38	Shift Knob	1
24	110-02	Key, 3/16 x 3/16 x 7/8 " long	2	57	103-93	Set Screw	1
25	109-05	Carbon Steel Ball, 6mm	1				
26	34-32	Spring, 7/32 " dia. x 1/2" long	1				
27	102-03	Oil seal, 30 x 72 x 10mm	2				
28	106-03	Retaining ring, OD 3.121 "	4				
29	107-02	Retaining ring, ID 1.098 "	2				
30	101-05	Sealed bearing, 6306-2NSL	2				

2.0 Exhaust System

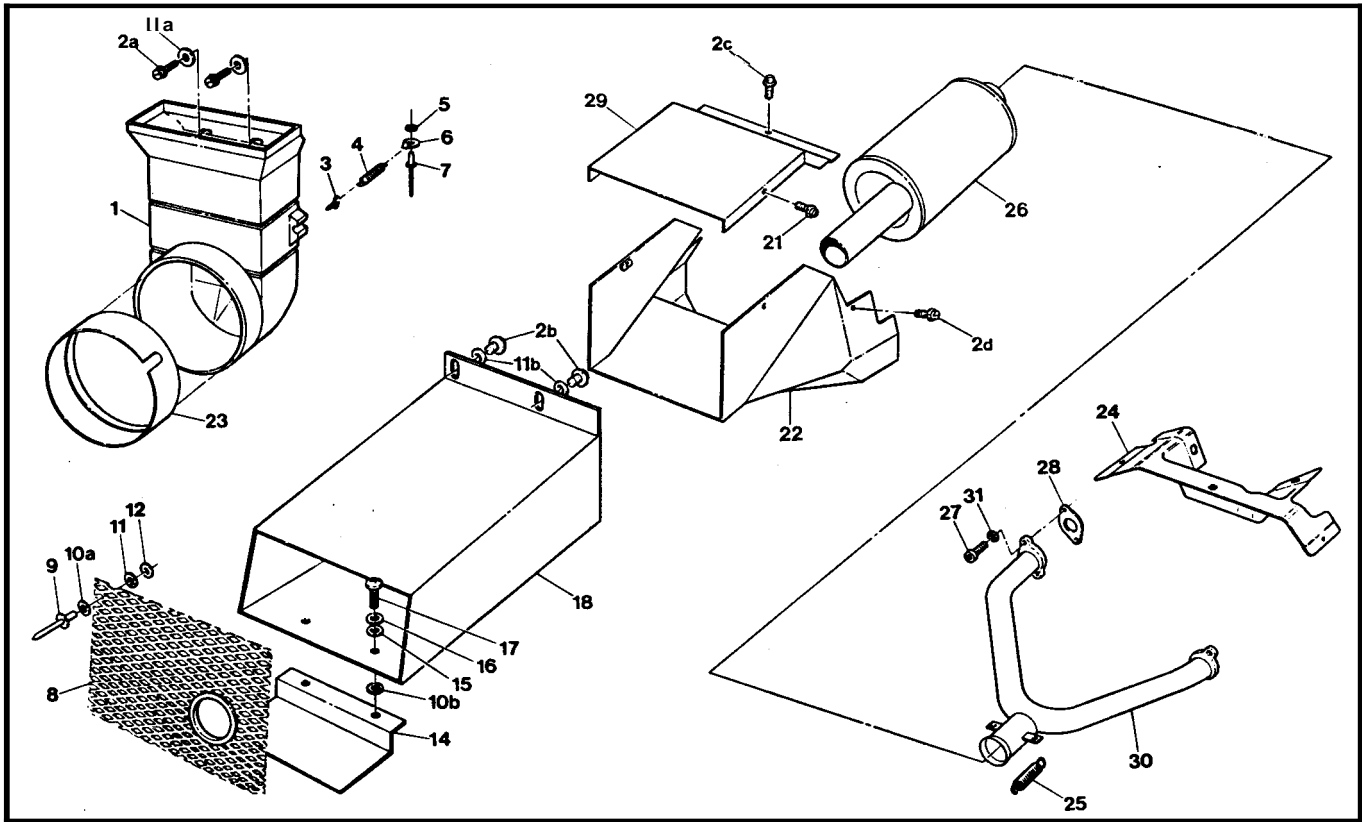


Fig.2 Diagram of the Exhaust System Assembly

3.0 Clutch System

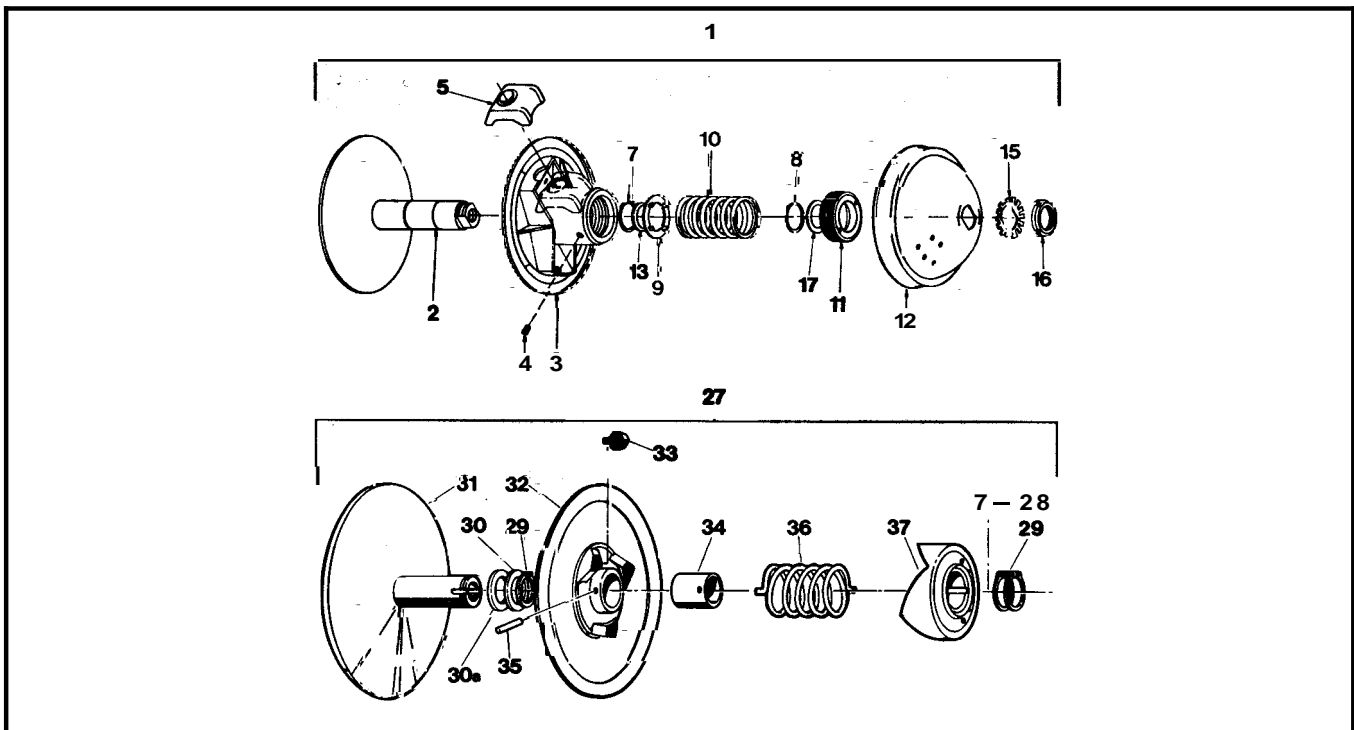


Fig. 3 Diagram of the Driven and Driver Clutch Assemblies

2.0 Exhaust System

Ref	Part No	Description	Qty.	Ref.	Part No.	Description	Qty.
1	603-81	Duct - Intake	1				
2a	103-72	Thread Cutting Screw, 1/4-20	2	15	125-58	Black Fibre Washer	2
2b	103-72	x3/4"	2	16	108-11	Lockwasher, 3/16	2
2c	103-72		1	17	103-25	Screw, 10-24 x 3/4"	2
2d	103-72		2	18	707-24	Duct - Exhaust ASM	1
3	103-27	Screw eye, #8 x 1"	1				
4	126-01	Spring, 2-3/4"	1				
5	120-19	Spacer, 1/8" ID	1				
6	126-02	Hook	1	21	103-11	HHCS, 1/4-20 x 1/2"	2
7	120-01	Rivet #48	1				
8	707-30	Screen - Exhaust ASM	1	22	707-20	Duct - Engine Exhaust ASM	1
9	120-09	Rivet	4	23	603-82	Seal	1
10a	125-59	Grey Fibre Washer	4	24	607-94	Cover - Valley Extension	1
10b	125-59		2	25	126-57	Spring - Exhaust	2
11	108-08	SAE Washer, 1/4"	4	26	707-10	Muffler	1
11a	108-08		2	27	112-30	SHCS M8 x 1.25 x 20 mm	4
11b	108-08		2	28	805024	Gasket	2
12	120-05	Spacer, 3116	4	29	707-23	Cover - Exhaust Duct	1
14	607-81	Exhaust Duct Brkt.	1	30	707-00	Manifold- Exhaust ASM	1
				31	108-05	Spring Lockwasher	4

3.0 Clutch System

Ref.	Part No.	Description	Qty.	Ref.	Part No.	Description	Qty.
1	126-54	Driver Clutch, keyed bore, Type "B", incl. Refs 2 to 17		27	126-24	Driven Clutch, incl. Refs 28 to 37	
2	126-53	Fixed Half Pulley	1	28	ASK-5	Key, 1/4 x 114 x 5/8" long	1
3	V02F	Loose Half Pulley	1	29	ASR-6	Snap ring, .05" thick	2
4	V046	Lock Screw (use Loctite 242)	1	30	ASA-1	Adjustment Spacer, 1-1/2" x 1-7/8" x .050"	as req'd
5	V05BMN-200	Block and 2009 Lead Slug	3	30a	ASA-1-S	Adjustment Spacer, 1-1/2" x 1-7/8" x .025"	as req'd
7	V08	Retaining Ring	1	31	IFK25.4-2500DO1	Fixed Half Pulley	1
8	V08C	Belt Overshoot Retaining Ring	1	32	IMC-2-2500DO1	Loose Half Pulley	1
9	V09	Shoulder Washer	1	33	ANS-2-T	Nylon Slider Shoe. black	3
10	V10-48-108-18	Blue Spring, 4.375" long	1	34	AMB-2	Bronze Bearing	1
				35	CPP-2-156	Spirol Pin	1
11	V111	Threaded Cap	1	36	ACS-3-188	Spring. blue	1
12	V1203B	Type "B" Model Cap	1	37	AFC-4-C3D3	Two-Way Aluminum cam	1
13	x-35	Preload Spacer	s req'd				
15	V15	Lock Washer	1				
16	V16	Groove Nut	1				
17	X-35-M	Belt Overshoot Spacer	as req'd				

4.0 Power Pack Assembly

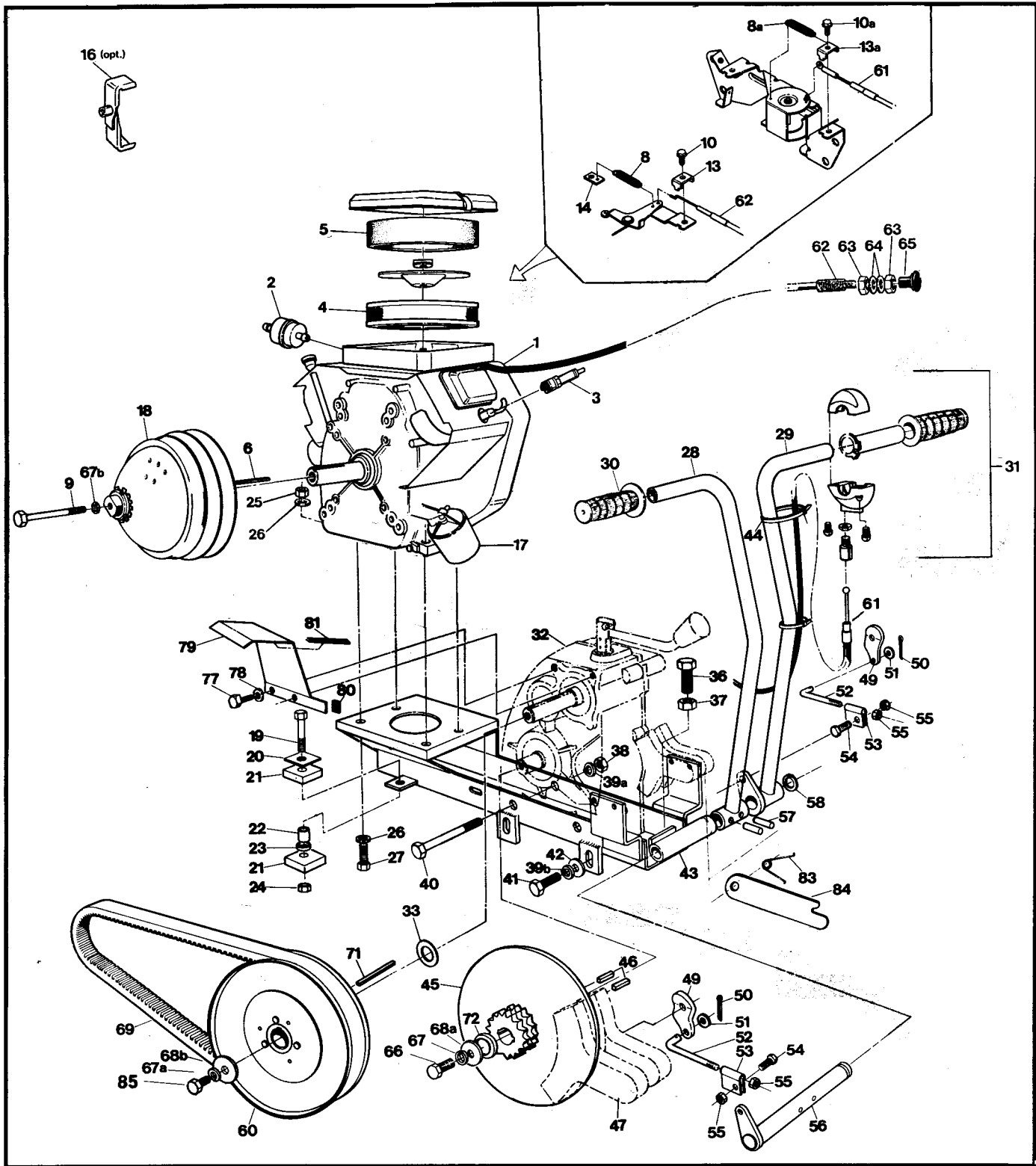


Fig. 4 Diagram of the Power Pack Assembly

4.0 Power Pack Assembly

Ref.	Part No.	Description	Qty.
1	126-52	Engine - Vanguard, 16HP incl. Refs. 2 to 5, 17	1
2		see Section 8.0 - Fuel System & Seat Assembly	
3	126-74	Spark Plug - Replacement	2
4	394018	Cartridge - Air Cleaner (B&S #)	1
5	271271	Element - Air Cleaner (B&S #)	1
6	110-03	Key	1
8	125-88	Spring, Return	1
8a	125-88		1
9	112-28	HHCS 3/8-24 x 4.5"	1
10	805169	Screw - Hex Head (B&S #)	1
10a	805169	(B&S #)	1
13	805170	Clamp - Casing (B&S #)	1
13a	805170	(B&S #)	1
14	601-86	Retainer Clip	1
16	658-13	Oil Filter Wrench (opt.)	1
17	126-95	Replacement Oil Filter	1
18		see Section 3.0 - Clutch	1
19	103-19	HHCS, 3/8-24 x 2-1/2"	2
20	610-42	Hinge Plate, 2" x 2" x 13 ga.	2
21	125-65	Rubber Hinge, 1/2 x 2 x 2"	4
22	610-36	Mount Bushing, 9/16 x 1-1/8"	2
23	202-24	Rubber Washer 1/4 x 9/16 x 1"	2
24	117-24	Nylon Locknut, 3/8-24	2
25	117-21	Nylon Locknut, 5/16-18	4
26	108-24	SAE Washer, 5/16"	8
27	112-27	HHCS, 5/16-18 x 1-3/4" Gr.5	4
28	612-82	Steering Lever, LH	1
29	612-83	Steering Lever, RH	1
30		Dummy Grip, as set with 31	1
31	100-57	Throttle Twist Grip, incl. 30	1
32		see Section 1.0 - Transmission	
33	108-36	Spacer - Driven Clutch	as req'd
36	103-87	HHCS, 1/2-20 x 2"	2
37	117-45	Jam Nut, 1/2-20	2
38	117-06	Hex Nut, 1/2-13	2
39a	108-07	Lockwasher, 1/2"	2
39b	108-07		4
40	103-20	HHCS, 1/2-13 x 6-1/2"	2

Ref.	Part No.	Description	Qty.
41	103-21	HHCS, 1/2-20 x 1-1/2"	4
42	108-09	Flatwasher, 1/2 x 1-3/8"	4
43	611-43	Frame - Power Pack	1
44	100-64	Tie Rap	6
45	610-24	Brake Disc, 40 P - 2 x 15 T	2
46	110-08	Key, 1/4 x 1/4 x 1-1/4"	4
47		see Section 5.0 - Brake System	
49	612-88	Brake Cam	2
50	100-03	Cotter Pin, 3/32 x 3/4"	2
51	108-24	SAE Washer, 5/16"	2
52	612-21	Brake Adjusting Rod, 5/16-24	2
53	612-20	Steering Rod Clamp	2
54	103-46	HHCS, 5/16-24 x 1"	2
55	117-46	Nylon Locknut, 5/16-24	4
56	612-81	Steering Shaft Assembly	1
57	111-04	Spirol Pin, 5/16 x 1-1/4"	2
58	107-01	Retaining Ring, 0.810" OD	1
60		see Section 3.0 - Clutch System	
61	612-89	Cable - Throttle ASM	1
62	601-98	Cable - Choke ASM incl. 63	1
63		Jam Nut, 5/16-24, Part of 62	2
64	108-24	SAE Washer 5/16	2
65	126-75	Choke Knob, plastic	1
66	103-18	HHCS, 3/8-24 x 1-1/4"	2
67	108-06	Lockwasher, 3/8"	2
67a	108-06		1
67b	108-06		1
68a	108-18	Washer 13/32 x 1-3/8" x 11 ga.	2
68b	108-46	Washer 13/32 x 1-3/8", Spec.	1
69	125-56	Drive Belt, 52"	1
71	110-09	Key, 1/4 x 1/4 x 3"	1
72	108-45	Spacer, Brake Disc	2
77	103-17	HHCS, 3/8-16x1"	2
78	108-26	Flat Washer, 3/8"	2
79	603-29	Belt Protection Guard	1
80	601-92	Vinyl Trim 1.0"	1
81	601-93	Vinyl Trim 4.25"	1
83	126-87	Parking Brake Spring	1
84	612-80	Holding Brake Lever	1
85	103-34	HHCS, 3/8-16 x 1-1/4"	1

5.0 Brake System

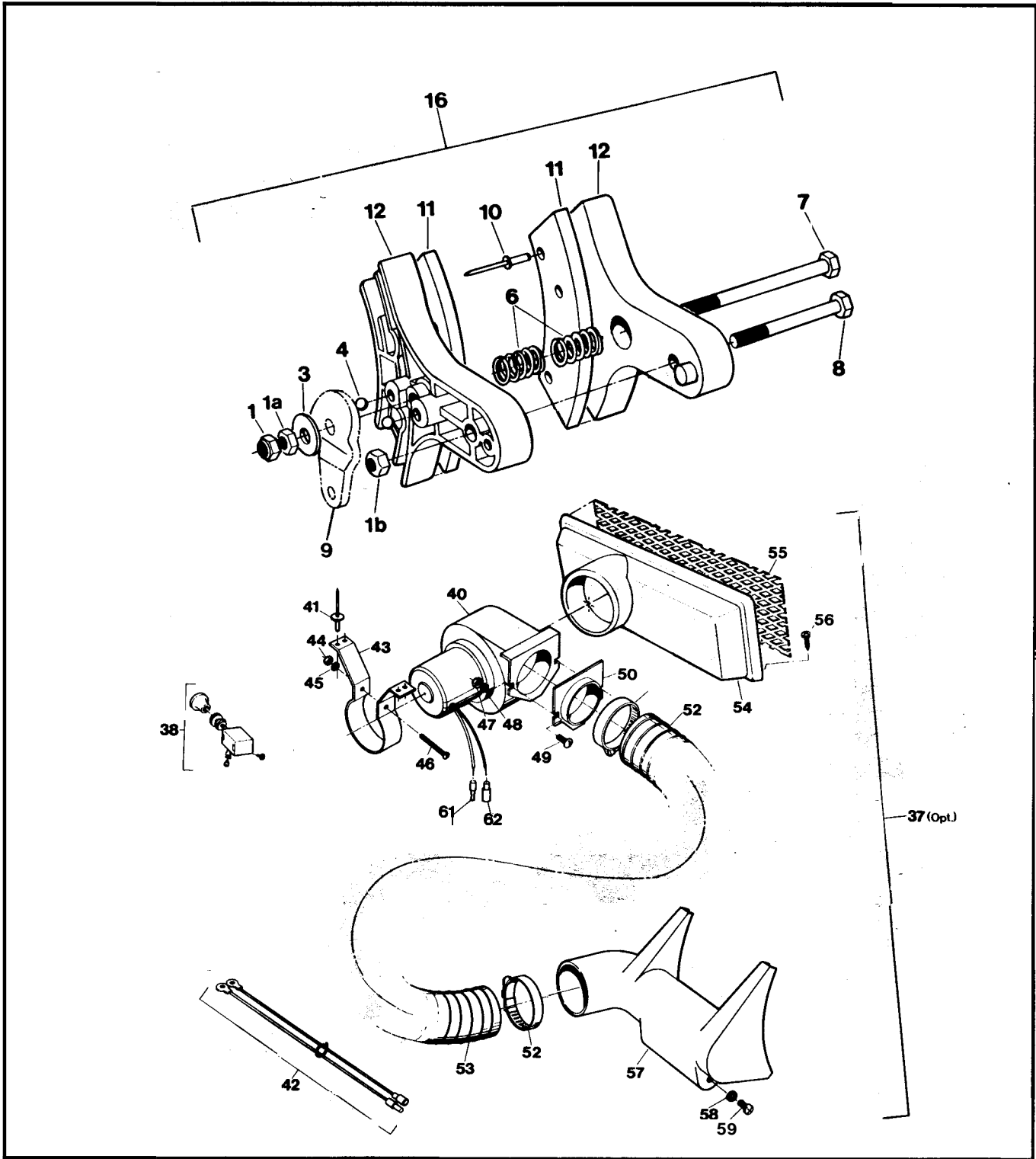


Fig. 5 Diagram of the Brake Assembly

5.0 Brake System

Ref.	Part No.	Description	Qty.	Ref.	Part No.	Description	Qty.
1	117-46	Philidas Locknut, 5/16-24	1	37	668-02	Vanguard Brake Cooling Kit (Opt.) incl. 38-62	
1a	117-46		1	38	100-62	Switch	1
1b	117-46		1		125-92	Brake Cooling Fan Adaptor & Mounting Assembly, incl. Refs 43 to 50	
3	108-12	SAE Washer, 5/16 x 1 x 1/16"	1	40	125-91	Blower Fan, 12V, 8 Amp max.	1
4	109-02	Carbon Steel Ball, 1/4" Dia.	2	41	120-13	Rivet, 3/16 x .6"	4
6	100-10	Compression Spring	2	42	613-05	Harness	1
7	103-16	HHCS, 5/16-24 x 3-3/4"	1	43		Mounting Bracket	1
8	103-29	HHCS, 5/16-24 x 2-3/4"	1	44		Nut, #10-32	1
9		see Section 4.0-Power Pack Assembly		45		Lockwasher, 3/16"	1
10	120-11	Rivet #56, used in Ref. 11	4	46		Screw, #10-32 x 2"	1
11	100-56	Brake Pads, set of 2	1	47		Nut, 1/4-20	2
12	100-54	Brake Caliper	2	48		Lockwasher, 1/4"	2
16	100-72A	Brake Assembly Kit, includes Refs 1 to 12	1	49		Screw, 1/4-20 x 5/8"	2
				50		Adaptor, 3" dia.	1
				52	125-35	Gear Clamp, 3-1/2" dia.	2
				53	126-37	Intake Hose, 3 x 36"	1
				54	601-89	Intake Flange (specify colour)	1
				55	126-61	Intake Screen	1
				56	103-48	Self-Tapping Screw, #10 x 5/8"	4
				57	126-36	Brake Cooling Air Duct	1
				58	108-08	SAE Washer, 1/4"	2
				59	103-96	Phillips Screw, 1/4-20 x 5/8"	2
				61	118-02	Male Bullet Terminal	1
				62	118-03	Female Bullet Terminal	1

6.0 Vehicle Body & Firewall

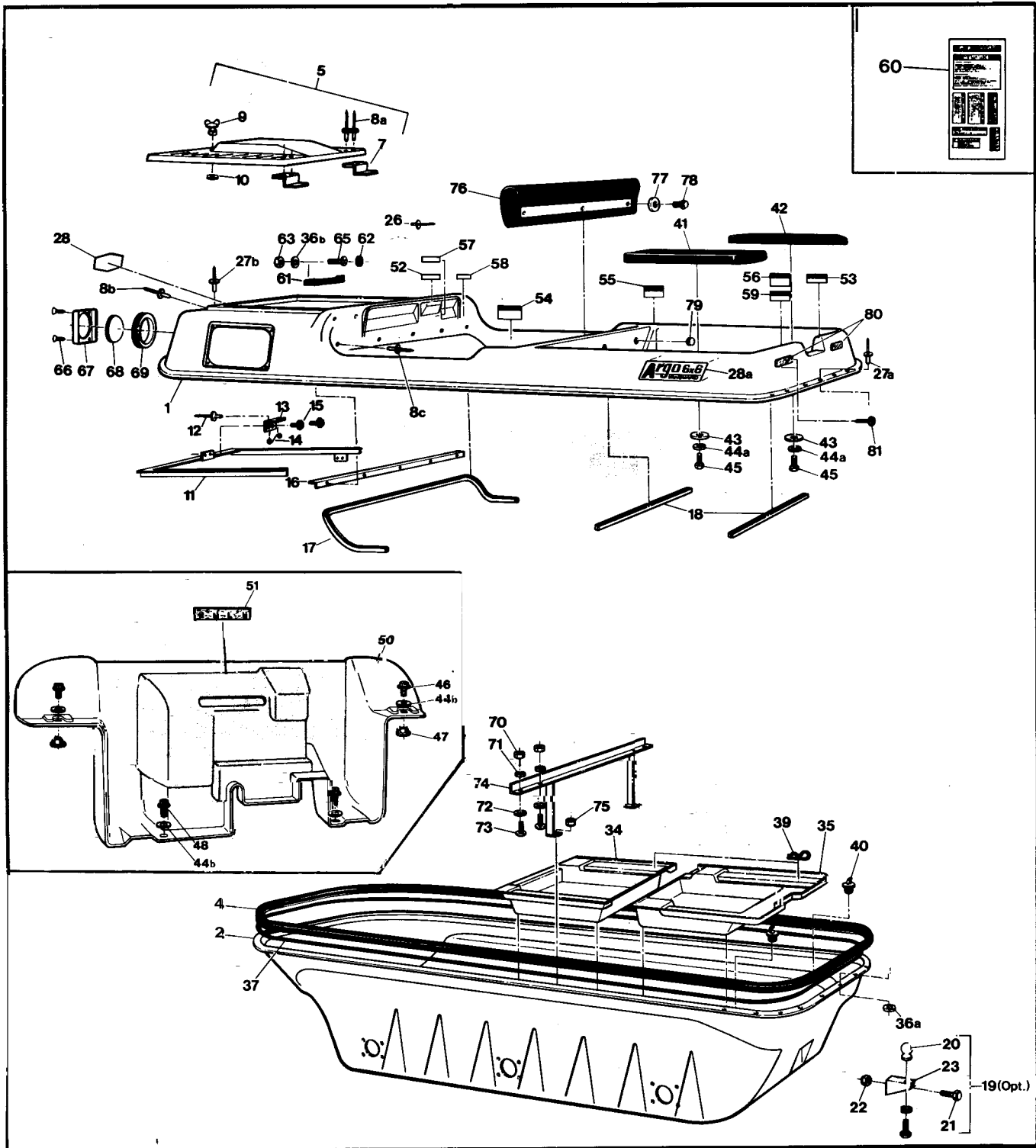


Fig. 6 Diagram of the Vehicle Body & Firewall

6.0 Vehicle Body & Firewall

Ref.	Part No	Description	Qty.	Ref	Part Na	Description	Qty
1	601-81	6 VANGUARD Upper Body, specify colour	1	43	603-15	Washer, plastic	2
2	603-42	6 VANGUARD Lower Body, specify colour	1	44a	108-08	SAE Washer, 1/4"	2
4	601-05	Vinyl Bumper	1	44b	108-08		4
5	602-23	Hood Assembly, specify colour, incl 7, 8a, 9 & 10	1	45	103-08	HHCS 1/4-20 x 1"	2
7	602-15	Hood Bracket	2	46	103-11	HHCS, 1/4-20 x 1/2"	1
8a	120-13	Rivet #66	4	47	117-44	T-Nut, 1/4-20	2
8b	120-13		15	48	103-72	Screw, 1/4-20 x 3/4"	2
8c	120-13		5	50	309-31BI	Firewall, Black	1
9	126-10	Wing Stud	1	51	126-65	Shifting Plate	1
10	126-09	Grommet, Aluminum	1	52	126-66	Steering Lever Plate	1
11	601-83	Hood Support Assembly	1	53	126-67	Floor Pan Plate	1
12	120-15	Rivet #45	2	54	126-68	Operation Plate	1
13	601-69	Spring Plate	1	55	126-69	Fuel Plate	1
14	126-11	Spring	1	56	126-70	Vehicle Capacity Plate	1
15	103-72	Cutting Screw, 1/4-20 x 3/4	2	57		Vehicle ID Plate	1
16	601-24	Dash Brace	1	58		U.S. Plate, Non-U.S. Argos only	1
17	601-08	Vinyl Trim, Front, 84 "	1	59	126-80	Rear Compartment Plate	1
18	601-09	Vinyl Trim, Rear, 28 "	2	60	126-73	French Decals, incl. 51 to 58, as set only	1
19	626-00	Trailer Hitch Kit (Opt.) incl. 20-2: Coupler ball, bolt & lockwasher	1	61	125-41	Dash Handle, incl. 62	1
20			1	62		Plug cap, used in 61	2
21	- See 19	Bolt, 3/8-24 x 1-1/2"	2	63	117-10	Nylon Locknut, #10-24	2
22	above	Locknut, 3/8-24	2	65	103-25	Screw, #10-24 x 3/4 "	2
23		Hitch Tongue	1	66	103-24	Phillips Screw, #6 x 1"	8
26	120-24	Rivet #43, all plates	24	67	601-21	Headlight Rim	2
27a	120-09	Rivet, 3/16 x 1"	46	68		see Section 9.0 Electrical Svs.	2
27b	120-09		12	69	601-16	Headlight Moulding	2
28	601-44	ARGO Name Plate	1	70	117-03	Hex Nut, 5/16-18	4
28a	601-97	"6x6 Vanguard" Name Plate	2	71	108-05	Lockwasher, 5/16	4
34	603-02	Front Floor Pan (Specify Colour)	1	72	108-26	Plate Washer, 3/8"	4
35	603-03	Rear Floor Pan (Specify Colour)	1	73	103-13	C. Bolt, 5/16-18 x 1"	4
36a	120-04	Spacer, 3/16" x 0.08"	46	74	803-11	Body Support	1
36b	120-05	Spacer, 3/16" x 0.04"	2	75	117-01	Nylon Locknut, 1/4-28	2
37	126-60	PVC Vinyl Strip	1	76	601-27	Back Pad, 8 x 42-1/2"	1
39	100-16	Clevis Pin Clip	4	77	108-01	Fender Washer, 9/32	3
40	100-18	Drain Plug	2	78	103-08	Screw, 1/4-20 x 1"	3
41	601-03	LH Rear Seat	1	79	125-45	Plug Cap, grey	3
42	601-02	RH Rear Seat	1	80	127-01	Rear Reflector, red	2
				81	103-48	Screw, Self-tapping #10	4

7.0 Frame & Drive System

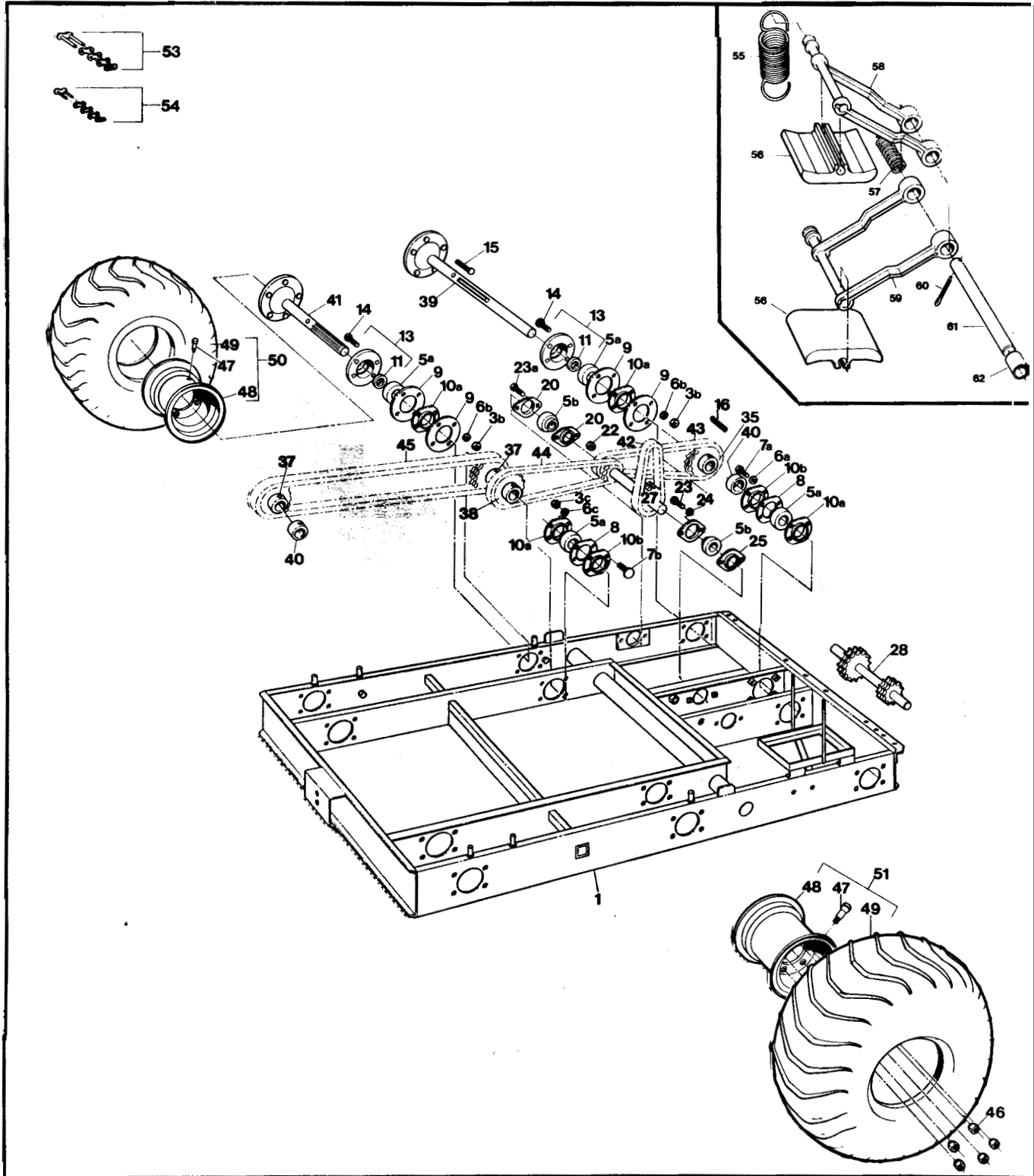


Fig. 7 Diagram of the Vehicle Frame & Drive System

7.0 Frame & Drive System

Ref.	Part No.	Description	Qty.	Ref.	Part No.	Description	Qty.
1	604-70	6 VANGUARD Vehicle Frame	1	35	605-84	(eyed Sprckt Ass'y 24-T	2
5a	117-15	Hex Nut, 3/8-16	24	37	805-29	Splined Sprckt.Ass'y19-T	4
3c	117-15		16	38	605-85	Splined Sprckt.Ass'y24-T	2
5a	101-35	Bearing, 1-1/4"	12	39	605-81	(eyed Front Axle Ass'y, ncl. 15	2
5b	101-30	Bearing, 1"	4	40	101-34	Locking Collar	4
6a	108-06	Lockwasher, 3/8 "	8	41	810-31	Splined Mid/Rear Axle Ass'y, incl. 15	4
6b	108-06		24	42	603-24	Idler Chain, RC40-2 x 48P, incl. 54	2
6c	108-06		16	43	603-19	Front Chain, RC50-2 x 44P, incl. 53	2
7a	103-17	HHCS, 3/8-16 x 1"	8	44	603-20	Mid Chain, RC50-2 x 70P, incl. 53	2
7b	103-88	C. Bolt, 3/3-16 x 1"	16	45	603-21	Rear Chain, RC50-2 x 96P, incl. 53	2
8	605-99	Flange Gasket	6	46	117-35	Wheel Nut, 7/16-20	6 x 5
9	605-89	Outer Flange Gasket	12	47	125-26	Tire Valve, see 48	6
10a	605-63	Bearing Flange 1-1/4	12	48	125-15	Rim, 8 x 7 x 5" c/w 47	6
10b	101-20	Bearing Flange Ass'y 1-1/4"	6	49	100-76G	Tire, 20 "	6
11	102-07	Gr. Seal, 1-1/4" see 13	6	50	125-20G	LH Wheel Ass'y, incl 48 & 49	3
13	605-68	Greaseable Flange Ass'y, incl. 11	6	51	125-21G	RH Wheel Ass'y, incl 48 & 49	3
14	103-36	C. Bolt, 3/8-16 x 1-1/2"	24	53	100-96	Connecting Link, RC50-2	6 x 1
15	103-80	Wheel Stud, 7/16-20 x 1-1/8", see 20, 21	6 x 5	54	100-97	Connecting Link, RC40-2	2 x 1
16	110-12	Sprocket Key	4	55	125-61	Tensioner Spring	4 x 1
20	101-14	Flangette, 1", trimmed	4	56	603-61	Slider Block, nylon	4 x 2
22	117-21	Nylon Locknut, 5/16-18	4	57	125-78	Spacer Spring	4 x 1
23	103-06	HHCS, 5/16-18 x 1"	4	58	603-77	Tensioner, Upper Arm	4 x 1
23a	103-06		4	59	603-76	Tensioner, Lower Arm	4 x 1
24	108-05	Lockwasher, 5/16	4	60	100-01	Cotter Pin, 1/8 x 1"	4 x 1
25	101-12	Flangette, 1"	4	61	603-78	Pivot Pin, 1/2 x 6-3/8"	4 x 1
			2	62	603-66	Short Spacer, 5/8"	4 x 1
27	605-93	Idler Assembly, LH	1				
28	605-94	Idler Assembly, RH	1				

8.0 Fuel System & Seat Assembly

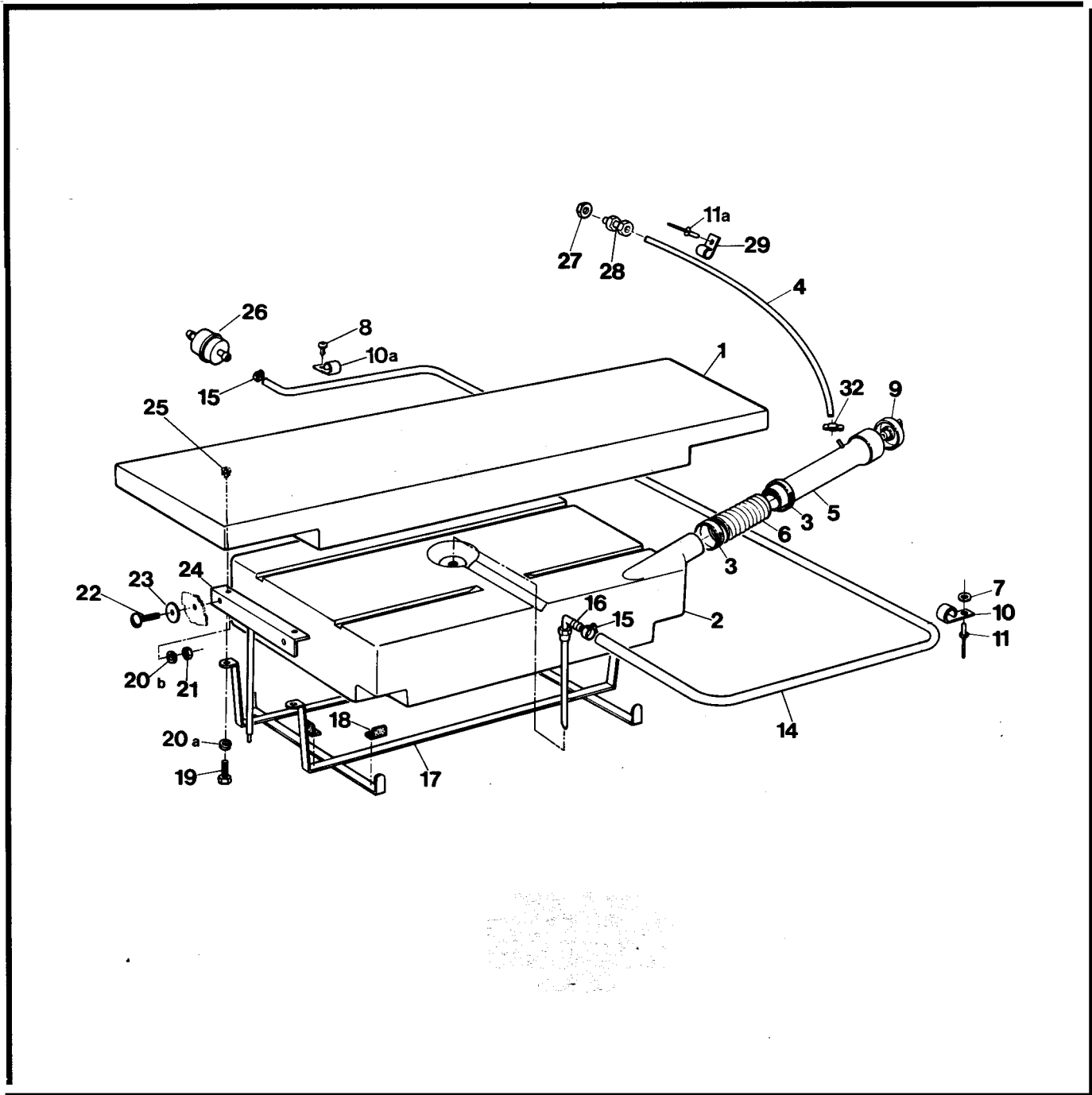


Fig. 8 Diagram of the Fuel System & Front Seat Assembly

8.0 Fuel System & Seat Assembly

Ref.	Dart No.	Description	Qty.	Ref.	Dart No.	Description	Qty.
1	608-13	Bench Seat, incl. Ref. 25	1	16	608-28	Fuel Pickup Assembly	1
2	608-24	Fuel Tank, 32 litre	1	17	608-20	Fuel Tank Cage	1
3	100-12	Gear Clamp, 2-1/4"	2	18	702-06	Cushion	8
4	126-77	Vent Hose, 1/4" x 8 6	1	19	103-97	HHCS, 1/4-20 x 1-1/4"	4
5	126-47	Fuel Neck Assembly	1	20a	108-03	Lockwasher, 1 / 4	4
				20b	108-03		4
6	125-94	Filler Hose, 51mm ID	1	21	117-20	Hex Nut, 1/4-20	4
7	120-04	Spacer, 3/16 x 0.08"	3	22	103-73	Screw, 1/4-20 x 3/4"	4
8	103-48	Screw, #10	1	23	108-01	Fender Washer, 9/32 x 1-3/16 x 0.031"	4
9	126-46	Fuel Cap, Pressure Vacuum	1	24	608-09	Seat Bracket	2
10	126-93	Hose Clamp, 1/2" ID	3	25	117-44	T-Nut, 1/4-20, used in Ref. 1	4
10a	126-93		1	26	125-64	Fuel Filter, 1/4", G-1	1
11	120-09	Rivet	3	27	117-54	PAL Nut, 1/2-20	1
11 a	120-09		4	28	126-50	Male Connector, 1/4"	1
14	608-16	Fuel Hose, 1/4" x 103"	1	29	126-94	Hose Clamp, nylon, 1 / 4	4
15	100-70	Gear Clamp, 1/2" HF8	2				
				32	126-62	Oetiker Clamp, 1 / 4	1

9.0 Electrical System

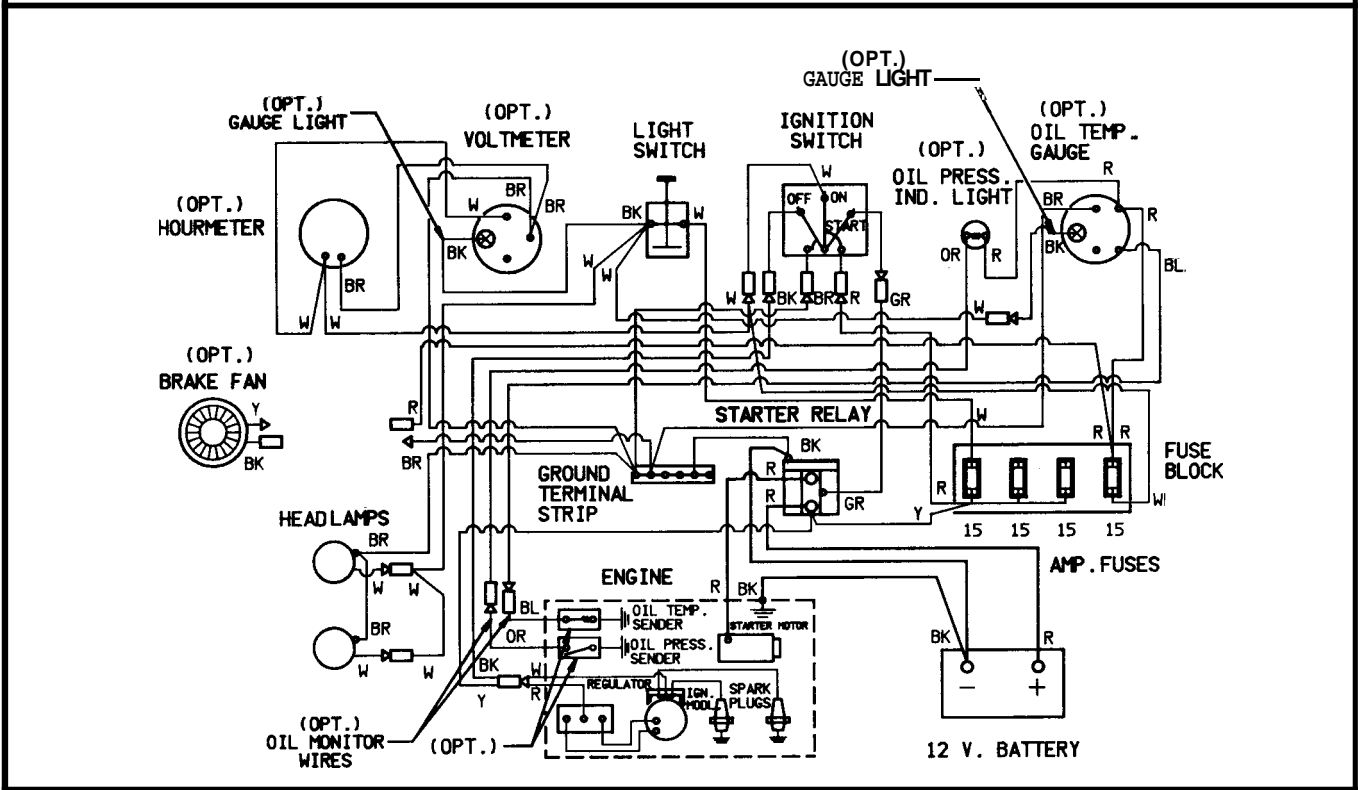
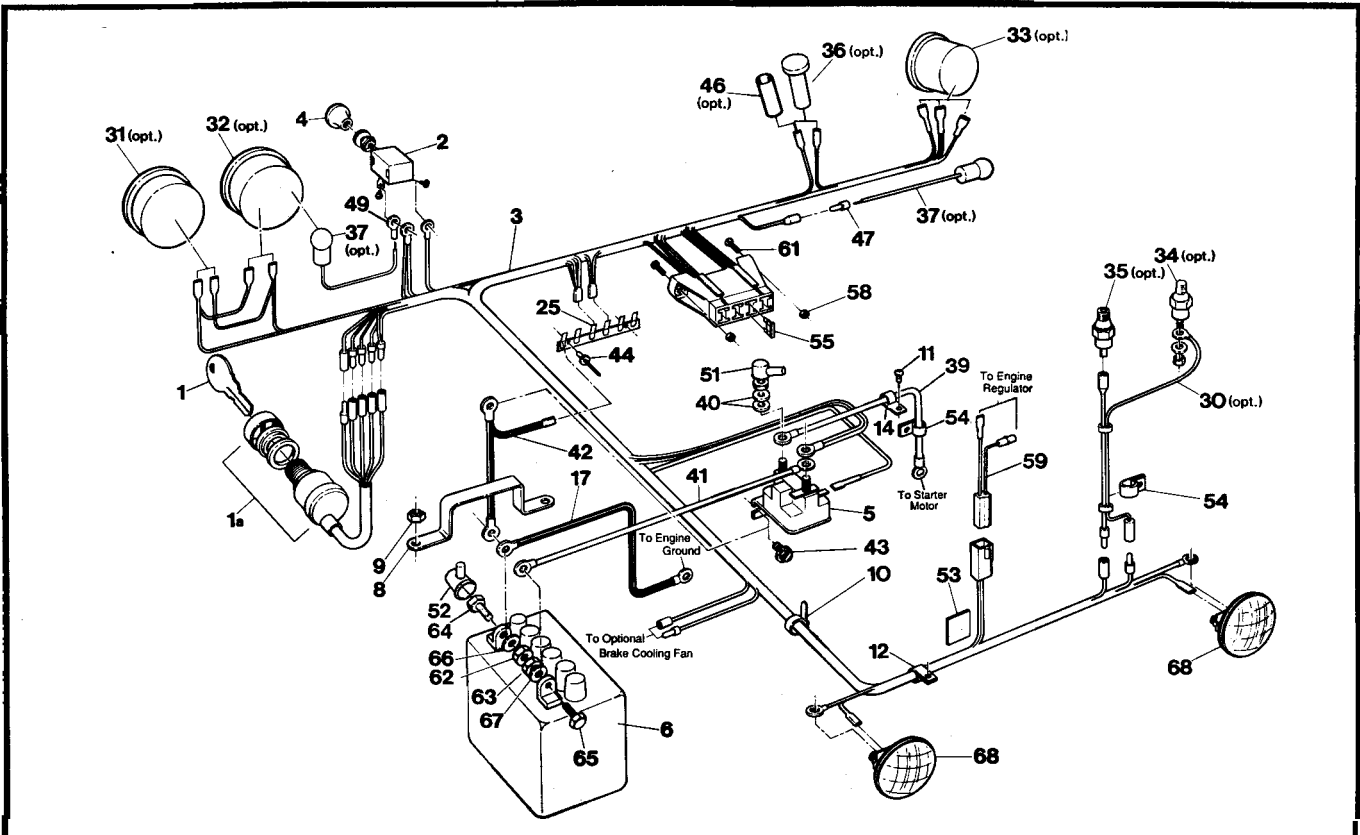


Fig.9 Diagram & Schematic of the Vanguard Electrical System

9.0 Electrical System

Ref.	Part Na	Description	Qty.	Ref.	Part No	Description	Qty.
1	100-39A	Ignition Key, Variation #1	1	36	634-08	Indicator Light, Red, 12 Volt (opt.)	1
1a	126-17	Ignition Switch, incl. Ref. 1	1	37	634-10	Gauge Light Kit, see Ref. 32, 33 (opt.)	2
2	100-62	Light Switch	1	39	613-49	Cable - Starter	1
3	613-55	Main Wire Harness, incl. Fuse Holder	1	40	108-05	Spring Lockwasher, 5/16"	2
4	126-76	Light Knob, #10-24	1				
5	100-36	Starter Relay	1				
6	100-25	Battery, 245 Crank Amps	1	41	613-26	Main Power Cable	1
8	604-52	Battery Retaining Bracket	1	42	613-58	Ground Cable	1
9	117-21	Nylon Locknut, 5/16-18NC	2	43	103-72	Cutting Screw, 1/4-20 x 3/4"	2
10	100-64	Tie Rap	9	44	120-15	Rivet, #45 steel	2
11	103-48	Screw, #10	1	46	118-48	Heat Shrink, 1/2x 1-1/2" long (opt.)	1
12	126-93	Nylon Clip, 1/2" ID	12	47	118-02	Male bullet terminal, insulated	1
14	126-94	Clamp, Nylon, 1/4"	1	49	118-30	Ring terminal #10, insulated	1
17	613-18	Engine Ground Cable	1	51	613-45	Terminal Boot, red, 6 gauge	1
25	613-37	Ground Terminal Strip, 6 pole	1	52	613-46	Terminal Boot, red, 2 gauge	1
30	613-38	Oil Monitor Wires (opt.)	1	53	702-06	Cushion	1
31	632-15	Hourmeter, DC & Bracket Mount (opt.)	1	54	126-83	Cable Clip	2
32	633-10	Voltmeter, 10-16 Volts, incl. 37 (opt.)	1	55	118-49	Automotive type fuse 15A	4
33	634-11	Engine Oil Temp Gauge to 320 deg.F, incl. 37 (opt.)	1	58	117-10	Hex Locknut, #10-24	2
34	634-12	Engine Oil Temp Sender, (opt.)	1	59	613-33	Harness - Regulator	1
35	52.099.0	Engine Oil Pressure Switch, 6psi. (opt.)(Kohler #)	1	61	103-25	Machine Screw, #10-24 x 3/4"	2
				62	117-20	Locknut, 1/4-20	1
				63	117-03	Locknut, 5/16-18	1
				64	112-01	Bolt, 1/4-20 x 3/4"	1
				65	112-04	Bolt, 5/16-18 x 3/4"	1
				66	108-08	Flatwasher, 1/4"	1
				67	108-24	Flatwasher, 5/16"	1
				68	100-32	Headlamp	2

ARGO Products- *Manufactured by:*

Ontario Drive & Gear Limited

P.O. Box 280, Bleams Road

New Hamburg, Ontario

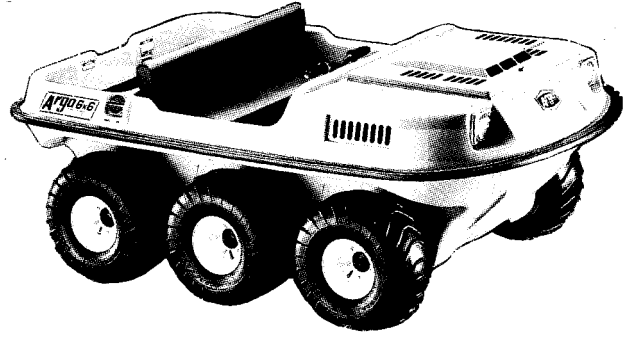
NOB 2G0

Phone: (519) 662-2840

FAX: (519) 662-2421

Manual No. 693-22

ODG *Dedicated to quality and performance*



ARGO

VANGUARD PARTS MANUAL

Model No. V693-36
From Serial #S7304

Ontario Drive & Gear Limited
Phone (519)-662-2840 Fax (519)-662-2421

Manual No. 693-36 06/93 2.5 C
Printed in Canada

Foreword

ODG has prepared this parts manual for the **6 VANGUARD** Model to assist both qualified mechanics and vehicle owners in ordering correct, quality replacement **ARGO** parts.

Proper and regular service, and replacing old, worn or broken parts with the correct **ARGO** replacement parts, are both essential to prolonging the life of the **ARGO**. Please refer to this parts manual before ordering any replacement part.

All information contained in this **VANGUARD** Parts Manual is based on the latest product specification available at time of printing. If your **6 VANGUARD** differs from the specifications contained in this manual, **contact Ontario Drive & Gear Limited for information.**

ODG reserves the right to alter specifications on the **VANGUARD** model at any time, without obligation or prior notification.

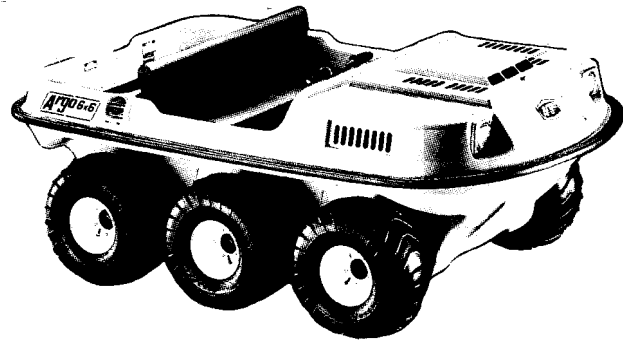
Reproduction of the **VANGUARD Parts Manual No. 693-36**, in whole or in part, is prohibited without prior written permission from **Ontario Drive & Gear Limited.**

Model Identification

6 VANGUARD - Model No. V693-36

Explanation of Parts Manual Format

- Reference Number between Assembly Diagram and Component Parts List
- Part No.** - Argo replacement part number for identification and re-ordering
- Description** - Part Description for identification and re-ordering
 - Indicates the quantity of a part used in an Assembly



Using the Parts Manual

1. Find the major vehicle assembly in the Table of Contents on this page, and turn to that section.
2. Locate the part in the illustration that you wish to order.
3. Refer to the parts list in that section.
4. Find the correct part number (Part No.), part description (Description) and correct quantity (Qty).
5. Use *only* this information to order ARGO replacement parts. DO NOT attempt to order a replacement part by Ref number or Page number.
6. Unless otherwise stated in either the Component Parts List or Diagram, all parts references apply to the 6 VANGUARD.

Table of Contents

Foreword.....	i
Model Identification.....	i
Using the Parts Manual.....	ii
1.0 Transmission.....	1
2.0 Exhaust System.....	3
3.0 Clutch System.....	3
4.0 Power Pack Assembly.....	5
5.0 Brake System.....	7
6.0 Vehicle Body & Firewall.....	9
7.0 Frame & Drive System.....	11
8.0 Fuel System & Seat Assembly.....	13
9.0 Electrical System.....	15

1.0 Transmission

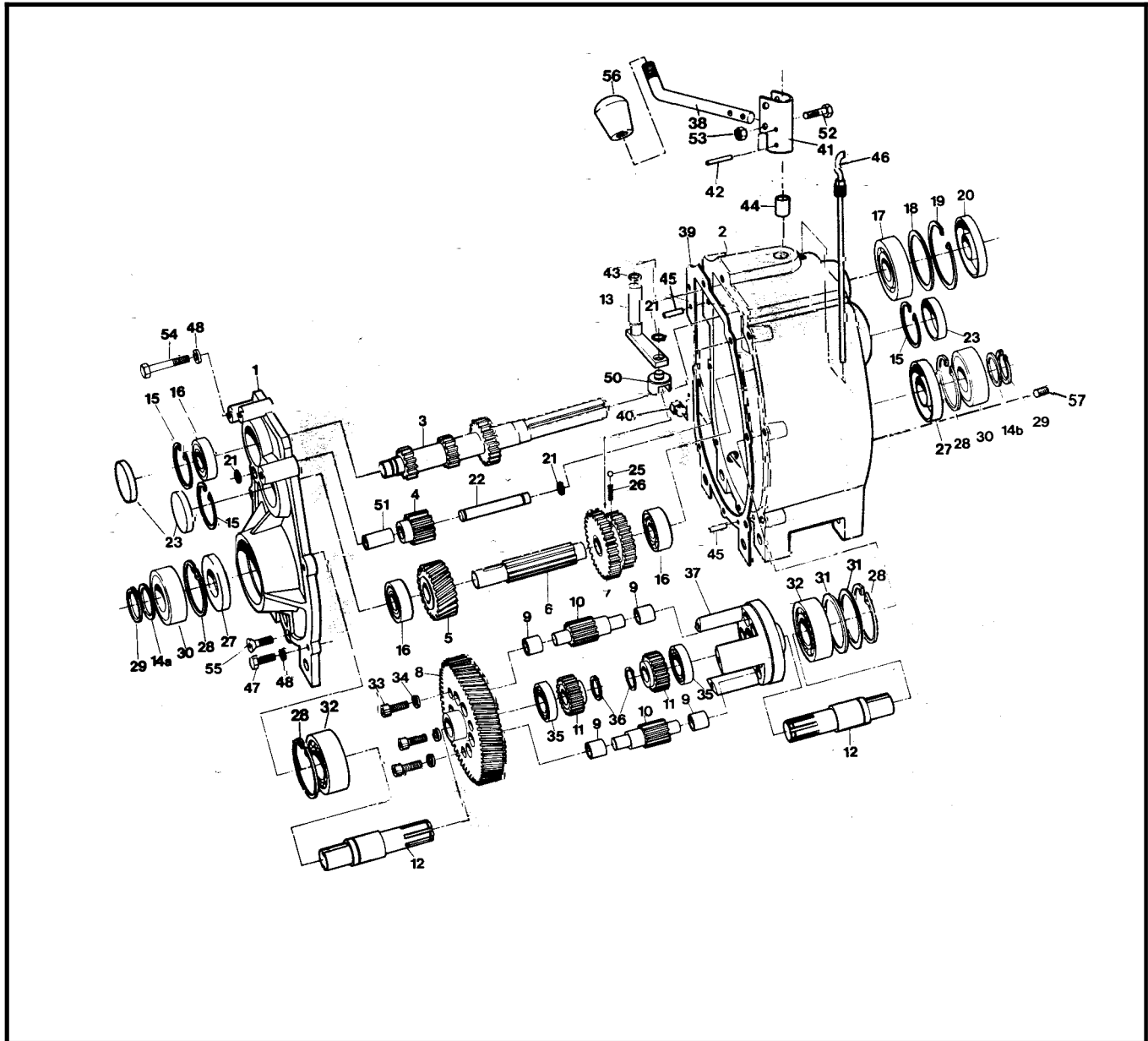


Fig. 1 Diagram of the Transmission Assembly

1.0 Transmission

Ref	Part No.	Description	Qty	Ref	Part No.	Description	Qty
	610-17HU	Transmission Asm - HU, does not include Refs 38, 52, 53 & 56		31	114-01	Washer, Shim .020x2.25x2.81	2
1	34-68	Cover, Transmission	1	32	101-03	Bearing, Ball 6207-C 3	2
2	34-69	Housing, Transmission	1	33	103-04	SHCS, 5/16-18 x 1.00 PL	3
3	34-21	Shaft, Input - 13 / 21 T	1	34	108-02	Lockwasher, Hi-Collar 5/16, PL	3
4	34-16A	Gear, Idler 13 T, incl. bushing incl. Ref. 51	1	35	101-15	Bearing, Ball 6005-C 3	2
5	34-96	Gear, Helical - 26T	1	36	107-04	Retaining Ring N1400-98	2
6	34-94	Shaft, Spline	1	37	34-08	Cage	1
7	34-91	Gear, Double - 26/33 T	1	38	610-67	Shift Lever Rod	1
8	34-43	Gear Plate - 71T	1	39	34-47	Gasket, Cover - 1/64" Thk	1
9	105-03	Bushing, Oilite -AA650	12	40	103-02	Plug, Magnetic 3/8-18 NPT Sq. Hd	1
10	34-13	Gear, Planet -12 T	6	41	34-86	Holder, Shift Lever	1
11	34-14	Gear, Sun - 21 T	2	42	111-01	Pin, Spirol 5/32 x 1.00	2
12	34-81	Shaft, Output	2	43	113-01	O-Ring 012-7147	1
13	34-65	Shifter Asm	1	44	105-02	Bushing, Oilite - AA628	1
14a	114-04	Washer, Shim .040 Thk	1	45	104-03	Pin, Dowel 1/4" x 7/8" long	2
14b	114-05	Washer, Shim .020 Thk	1	46	34-31	Dipstick	1
15	106-01	Retaining Ring #5000-187	3	47	103-06	HHCS 5/16-18x1.00 GR5 Zinc	4
16	101-01	Bearing, Ball 6204Z-C 3	3	48	108-05	Lockwasher 5/16 Zinc	7
17	101-16	Bearing, Ball 6206-C3	1	50	34-63	Shift Yoke	1
18	114-02	Washer, Shim 2.062	1	51	105-05	Bushing, Oilite - AA650-3 in Ref. 4	1
19	106-05	Retaining Ring N1300-244	1	52	103-97	HHCS 1/4-20x1.25 GR5 Zinc	1
20	102-05	Seal, Oil WBS 30x62x10 NB D/Lip	1	53	117-27	Locknut, Nylon 1/4-20 Zinc	1
21	107-05	Retaining Ring N1400-50	3	54	103-84	HHCS 5/16-18x2.25 GR5 Zinc	3
22	34-11	Pin, Dowel 1/2 x 3.50	1	55	103-95	FHSC 5/16-18x1.0 GR8 Zinc	1
23	31-07	Plug plate	3	56	126-38	Knob, Shift	1
25	109-05	Ball, Steel 6mm 62-67 Rc	1	57	103-93	SHSS, 3/8-16x1.00 GR5 Zinc	1
26	34-32	Spring, Compression - 7/32 x .50	1				
27	102-03	Seal, Oil WBS 30x72x10 NB D/Lip	2				
28	106-03	Retaining Ring #5000-0281	4				
29	107-02	Retaining Ring N1400-118	2				
30	101-05	Bearing, Ball 6306-2NSL C3	2				

2.0 Exhaust System

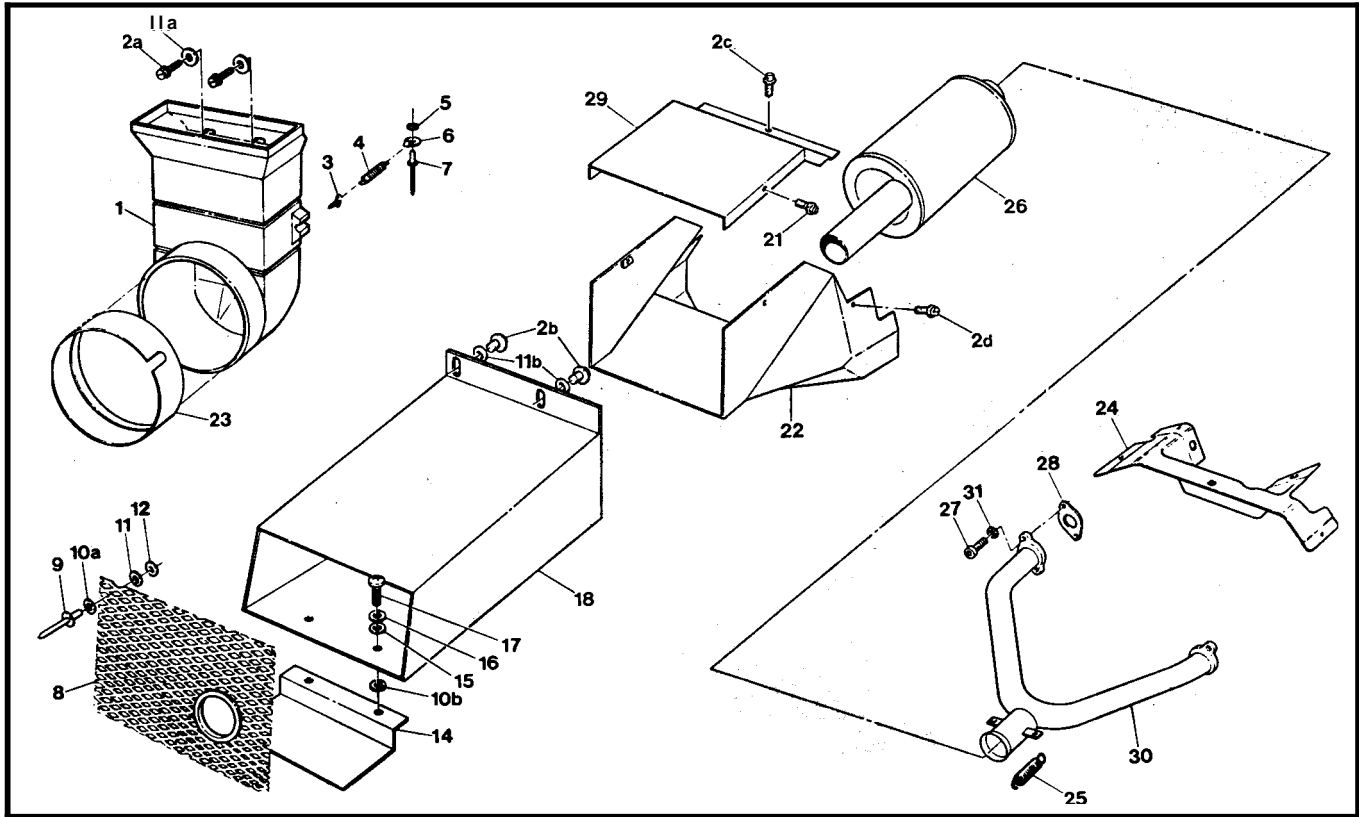


Fig.2 Diagram of the Exhaust System Assembly

3.0 Clutch System

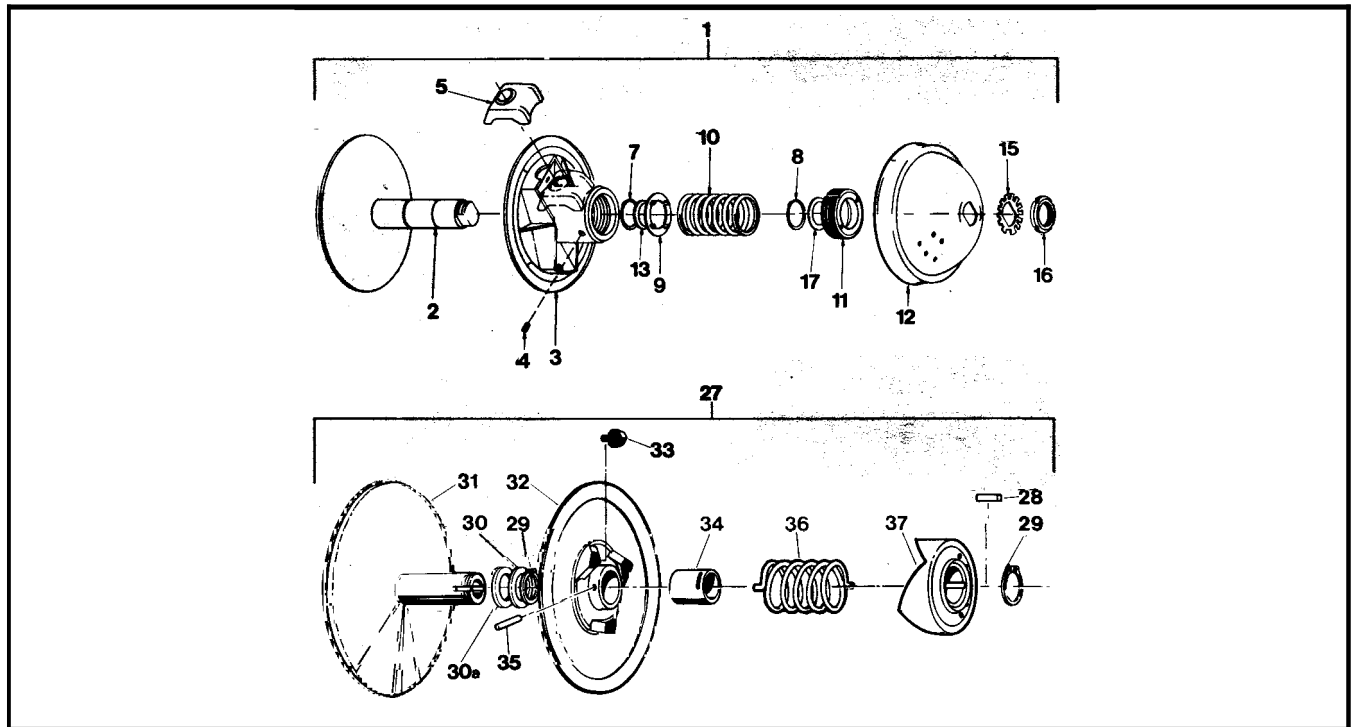


Fig. 3 Diagram of the Driven and Driver Clutch Assemblies

2.0 Exhaust System

Ref	Part No.	Description	Qty	Ref	Part No.	Description	Qty
1	603-81	Duct, Intake	1	15	125-58	Washer, Fibre - W-77F	2
2a	103-72	Screw, IHWH T/C Slot 1/4-20x3/4	2	16	108-11	Lockwasher 3/16 Zinc	2
2b	103-72		2	17	103-25	PHMS 10-24x.750 Zinc	2
2c	103-72		1	18	707-24	Duct, Exhaust	1
2d	103-72		2	21	103-11	Screw, IHWH Slot 1/4-20x.50 ZN	2
3	103-27	Screw Eye B6, Zinc	1	22	707-20	Duct - Engine Exhaust Asm.	1
4	126-01	Spring, Extension - 2.75"	1	23	603-82	Seal	1
5	120-19	Washer .030x.147x5/16 ZN	1	24	607-94	Cover, Air Guide #807661	1
6	126-02	Hook , Molly	1	25	126-57	spring, Exhaust	2
7	120-01	Rivet, Aluminum AD 48 BS	1	26	707-10	Muffler, Vanguard	1
8	707-30	Screen Asm , Exhaust	1	27	112-30	SHCS, M8x1.25x20.0 Zinc	4
9	120-09	Rivet 3/16x 1	4	28	805024	Gasket	2
10a	125-59	Washer, Fibre - .062x.25x.50	4	29	707-23	Cover, Exhaust Duct	1
10b	125-59		2	30	707-00	Manifold, Exhaust-Vanguard	1
11	108-08	Washer, 1/4 SAE Zinc	4	31	108-02	Lockwasher, Hi-Collar 5/16, PL	4
11a	108-08		2				
11b	108-08		2				
12	120-05	Washer, .195x.50x.040 Zinc	4				
14	607-81	Bracket, Exhaust Duct	1				

3.0 Clutch System

Ref	Part No.	Description	Qty	Ref	Part No.	Description	Qty
1	126-54	Clutch, Driver B, keyed incl. Refs 2 to 17	1	27	126-24	Clutch, Driven Model "B" SODB0001	1
2	701L411F	Pulley, Half - Fixed	1			incl. Refs 28 to 37	
3	V02F	Pulley, Half - Sliding	1	28	ASK-5	Key 1/4x1/4x3/4	1
4	V046	Lock Screw (use Loctite 242)	1	29	ASR-6	Retaining Ring N1400-150	2
5	V05BMN-200	Block + 200 g Lead Slug Asm	3	30	ASA-1	Spacer .050" Thick	as req
7	V08	Retaining Ring D1400-350	1	30a	ASA-1-S	Spacer .025" Thick	as req
8	V082	Retaining Ring N1408-137	1	31	AFK25.4-250OD01	Pulley, Half - Fixed	1
9	V09	Spring Guide Plate	1	32	AMC-2-250OD01	Pulley, Half - Sliding	1
10	V10-48-108-18	Spring, Blue 4.375	1	33	ANS-2-T	Shoe, Cam	3
11	V111	Threaded Cap	1	34	AMB-2	Bushing, Bronze	1
12	V1203B	Cap, Type "B"	1	35	CPP-2-156	Pin, Spirol	1
13	x-35	Spacer	as req	36	ACS-3-188	Spring, Blue	1
15	V15	Lockwasher	1	37	AFK-4-C3D	Cam	1
16	V16	Locknut	1				
17	x-35	Spacer	as req				

4.0 Power Pack Assembly

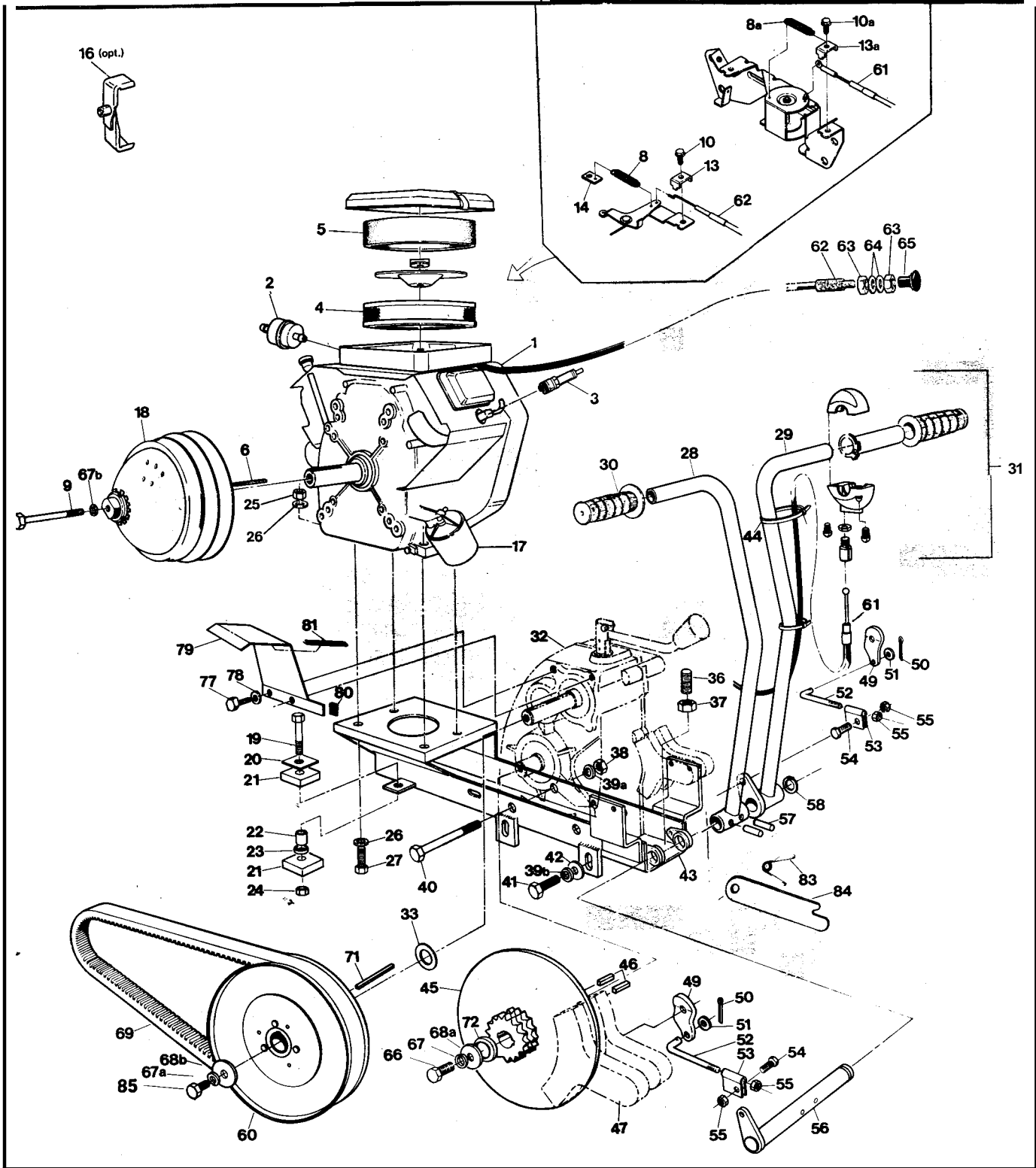


Fig. 4 Diagram of the Power Pack Assembly

4.0 Power Pack Assembly

Ref	Part No.	Description	Qty	Ref	Part No.	Description	Qty
1	126-52	Engine - Vanguard V-Twin 16 HP incl. refs 2-15, 17	1	41	103-21	HHCS 1/2-20x1.50 GR5 ZN	4
2		See Section 8.0 Fuel System & Seat Assembly		42	108-09	Washer 1/2 Zinc	4
3	126-74	Spark Plug #3926	2	43	611-43	Frame-Power Pack Vanguard	1
4	394018	Cartridge - Air Cleaner (BS#)	1	44	100-64	Tie Wrap - 5.5" - Black	6
5	271271	Element - Air Cleaner (BS#)	1	45	610-24H	Brake Disc-#40-2x15T	2
6	110-03	Key 1/4x3/16x2.375 RC46	1	46	110-08	Key 1/4x1/4x1.25	4
8	125-88	Spring, Return	1	47		See Section 5.0 Brake System	
8a	125-88	Spring, Return	1	49	612-88	Brake Cam	2
9	112-28	HHCS, 3/8-24x4.5 GR5 Zinc	1	50	100-03	Pin, Cotter 3/32x.750 Zinc	2
10	805169	Screw-Hex Head (BS #)	1	51	108-24	Washer 5/16 SAE Zinc	2
10a	805169	Screw-Hex Head (BS #)	1	52	612-21	Brake Adjusting Rod	2
13	805170	Clamp - Casing (BS#)	1	53	612-20	Steering Rod Clamp	2
13a	805170	Clamp - Casing (BS#)	1	54	103-46	HHCS 5/16-24x1.00 Zinc	2
14	601-86	Clip, Retainer	1	55	117-46	Locknut, 2-way 5/16-24 Zinc	4
16	658-13	Wrench, Oil Filter	1	56	612-81	Steering Shaft Asm.	1
17	126-95	Filter, Oil	1	57	111-04	Pin, Spirol 5/16x1.50	2
18		See Section 3.0 Clutch		58	107-01	Retaining Ring, N1400-87	1
19	103-19	HHCS, 3/8-24x2.50 GR5 ZN	2	60		See Section 3.0 Clutch System	
20	610-42	Plate	2	61	612-89	Cable Asm, Throttle - Van.	1
21	125-65	Rubber Hinge	4	62	601-98	Cable Asm, Choke - Van. incl. 63	1
22	610-36	Bushing, Motor Mount	2	63		Jam Nut, 5/16-24, Part of 62	2
23	202-24	Washer, Rubber	2	64	108-24	Washer 5/16 SAE Zinc	2
24	117-24	Locknut, Nylon 3/8-24 Zinc	2	65	126-75	Knob, Choke - Black	1
25	117-21	Locknut, Nylon 5/16-18 Zinc	4	66	103-18	HHCS 3/8-24x1.25 GR5Zinc	2
26	108-24	Washer 5/16 SAE Zinc	8	67	108-06	Lockwasher, 3/8 S/R, Zinc	2
27	112-27	HHCS 5/16-18x1.75 GR5ZN	4	67a	108-06	Lockwasher, 3/8 S/R, Zinc	1
28	612-82	Lever, Steering LH	1	67b	108-06	Lockwasher, 3/8 S/R, Zinc	1
29	612-83	Lever, Steering RH	1	68a	108-18	Washer 13/32x1.375x11GA	2
30		Dummy Grip, as set with 31	1	68b	108-46	Washer 13/32x1.375 Hi-Carb	1
31	100-57	Throttle Twist Grip Set incl. 30	1	69	125-56	Drive Belt	1
32		see Section 1.0 Transmission		71	110-09	Key 1/4x1/4x3.0	1
33	108-36	Washer .08x1.00x1.375 Zinc	as req	77	103-17	HHCS 3/8-16x1.00 GR5Zinc	2
36	103-87	SHSS 1/2-20x2.00 Zinc	2	78	108-26	Washer 3/8 Zinc	2
37	117-45	Nut, Jam 1/2-20 Zinc	2	79	603-29	Guard, Belt Protect	1
38	117-06	Nut, Fin Hex 1/2-13 Zinc	2	80	601-92	Vinyl Trim, 1.5"	1
39a	108-07	Lockwasher 1/2 Zinc	2	81	601-93	Vinyl Trim - 4.25"	1
39b	108-07	Lockwasher 1/2 Zinc	4	83	126-87	Spring, Parking Brake	1
40	103-20	HHCS 1/2-13x6.50 GR5Zinc	2	84	612-80	Holding Brake Lever	1
				85	103-34	HHCS 3/8-16x1.25 GR5Zinc	1

5.0 Brake System

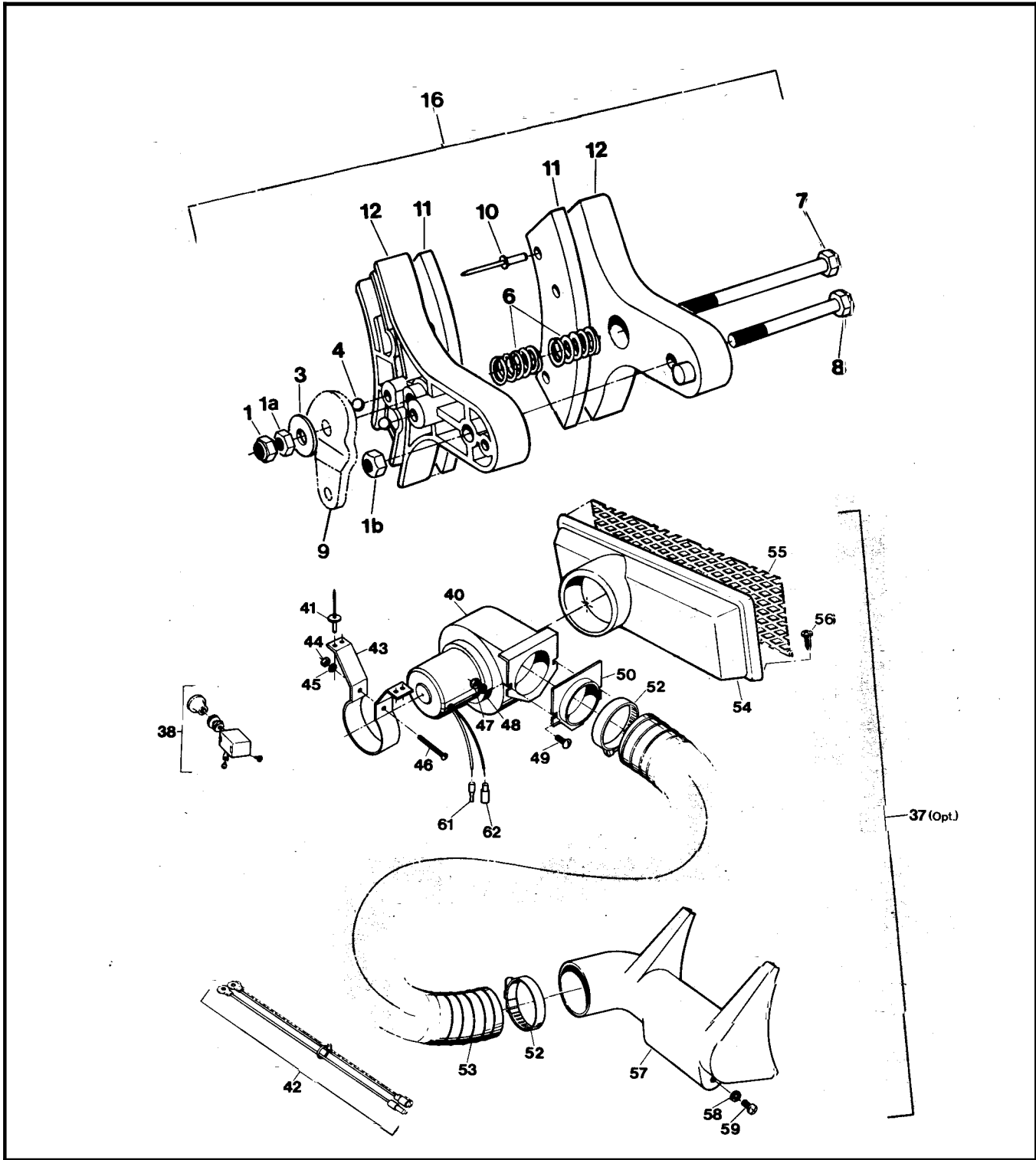


Fig. 5 Diagram of the Brake Assembly

5.0 Brake System

Ref	Part No.	Description	Qty
1	117-4C	Locknut, 2-way 5/16-24 ZN	1
1a	117-4C	Locknut, 2-way 5/16-24 ZN	1
1b	117-4C	Locknut, 2-way 5/16-24 ZN	1
3	108-12	Washer, 1 ODx1 1/32 IDx 16GA Zinc	1
4	109-02	Ball , Steel 1/4 Chromesteel	2
6	100-10	Spring, Compression	2
7	103-16	HHCS 5/16-24x3.75 GR8 ZN	1
8	103-29	HHCS 5/16-24x2.75 GR8 ZN	1
9		See Section 4.0-Power Pad Assembly	
10	120-11	Rivet, Blind SD 56 BS	4
11	100-5C	Brake Pad, Set of 2	1
12	100-54	Caliper , Brake	2
16	100-72a	Brake Assembly incl. Refs. 1 to 8, 10 to 12	1

Ref	Part No.	Description	Qty
37	668-02	Brake Cooling Kit-Vanguar incl. Refs 38 to 62	1
38	100-62	Switch	1
	125-92	Adpt. & Mounting Kit incl. Refs 43 to 50	
40	125-91	Blower Fan	1
41	120-13	Rivet #U48151D Dome 061	4
42	613-05	Wire Harness	1
43		Mounting Bracket	1
44		Nut, #10-32	1
45	See	Lockwasher, 3/16"	1
46	125-92	Screw, #10-32 x 2"	1
47	above	Nut, 1/4-20	2
48		Lockwasher, 1/4"	2
49		Screw, 1/4-20x 5/8"	2
50		Adaptor, 3" dia.	1
52	125-35	Clamp, Gear 3.50" HF-52	2
53	126-37	Hose, Intake 3" dia. x 3 6	1
54	601-89	Intake Flange (specify clr)	1
55	126-61	Intake Screen	1
56	103-48	Pan HD Phil T/S #10x5/8 AB zinc	4
57	126-36	Brake Cool Air Duct	1
58	108-56	Lockwasher 1/4 Ext. Tooth Zinc	2
59	103-96	PHMS, Phil 1/4-20x5/8 Zin	2
61	118-02	Terminal, Male-#76-1251-88	1
62	118-03	Terminal, Female - #76-1289	1

6.0 Vehicle Body & Firewall

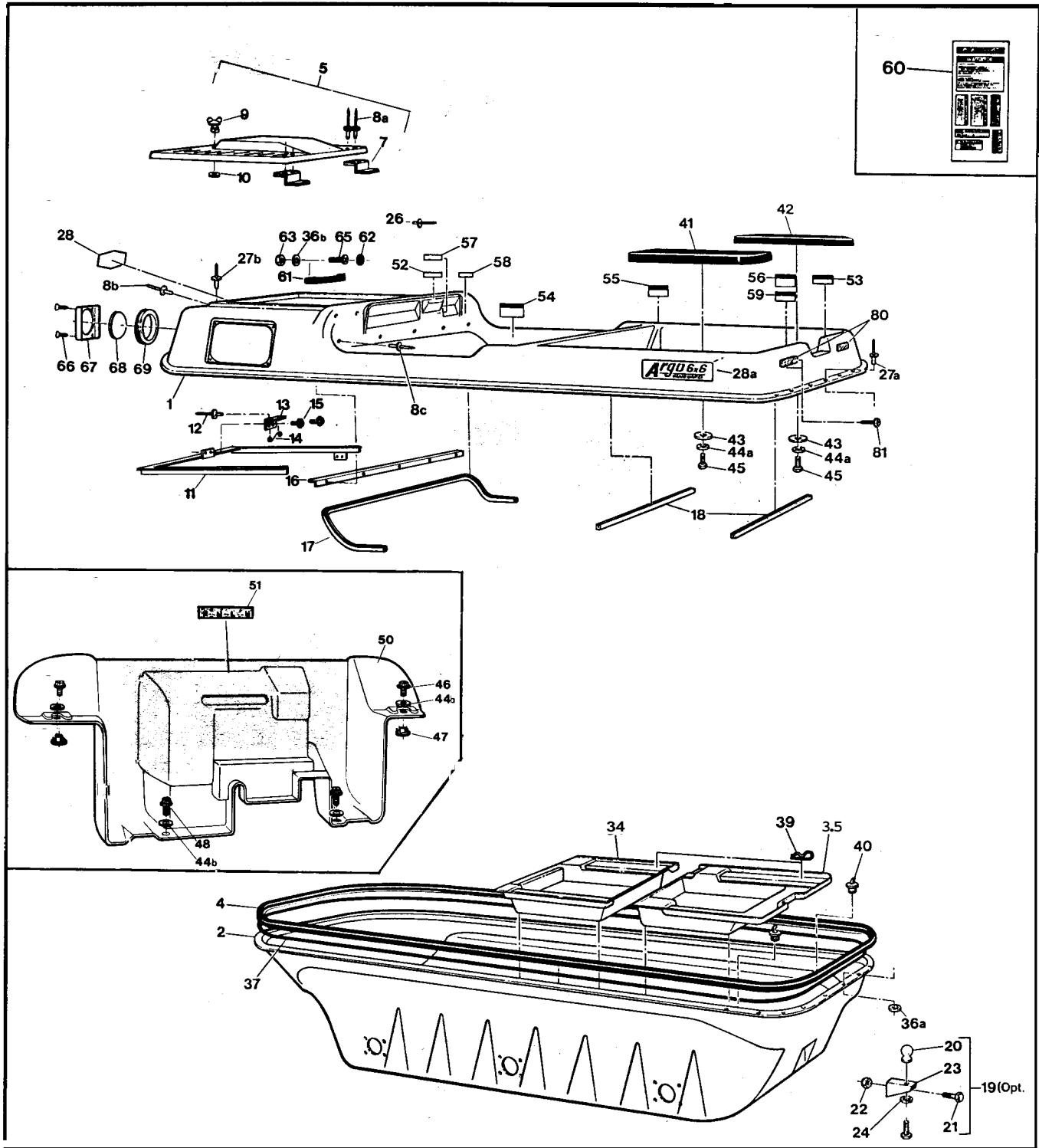


Fig. 6 Diagram of the Vehicle Body & Firewall

6.0 Vehicle Body & Firewall

Ref	Part No.	Description	Qty	Ref	Part No.	Description	Qty
1	601-18	Body, Upper V693-36 specify colour	1	34	603-02	Floor Pan, Front 6x6 specify colour	1
2	603-42	Body, Lower - 6x6 Van, specify colour	1	35	603-03	Floor Pan, Rear 6x6 specify colour	1
4	601-05	Bumper, Vinyl - 6x6	1	36a	120-04	Washer, .195x.50x.08 Zc	46
5	602-23	Hood Assembly, specify colour, incl. 7, 8a, 9 & 10	1	36b	120-05	Washer, .195x.50x.04 Zc	2
7	602-15	Hood Bracket	2	37	126-60	Vinyl Strip 1/2x1/4	1
8a	120-13	Rivet #U48151D Dome	4	39	100-16	Clip, Hitch Pin 1.625 Zinc	4
8b	120-13	Rivet #U48151D Dome	15	40	100-18	Plug, Drain 5/8" x 13/32"	2
8c	120-13	Rivet #U48151D Dome	5	41	601-03	Seat, Rear LH - 6x6	1
9	126-10	Wing Stud	1	42	601-02	Seat, Rear RH - 6x6	1
10	126-09	Grommet, Alum. #GH-7	1	43	603-15	Washer, Plastic	2
11	601-83	Hood Support Assembly	1	44a	108-08	Washer, 1/4 SAE Zinc	2
12	120-15	Rivet, Blind SD 45 BS	2	44b	108-08	Washer, 1/4 SAE Zinc	4
13	601-69	Spring Plate	1	45	103-08	HHCS 1/4-20x1.0 Zinc	2
14	126-11	Spring	1	46	103-11	Screw, IHWH Slot 1/4-20x.50 ZN	1
15	103-72	Screw, IHWH T/C Slot 1/4-20 x 3/4"	2	47	117-44	T-Nut, 1/4-20 PL	2
16	601-24	Brace, Dash	1	48	103-72	Screw, IHWH T/C Slot 1/4-20x3/4	2
17	601-08	Vinyl Trim, 84"	1	50	609-31BL	Firewall, Vanguard	1
18	601-09	Vinyl Trim, 28"	2	51	126-65	Shifting Plate	1
19	626-00	Trailer Hitch Kit (Opt.) incl. 20-23	1	52	126-66	Steering Lever Plate	1
20		Coupler Ball, Bolt & Lockwasher	1	53	126-67	Floor Pan Plate	1
21	See 19	Bolt, 3/8-24x 1 1/2"	2	54	126-68	Operation Plate	1
22	above	Locknut, 3/8-24	2	55	126-69	Fuel Plate	1
23		Hitch Tongue	1	56	126-70	Vehicle Capacity Plate	1
24	108-53	Washer, 3/4x1.5x1.125	1	57		Vehicle ID Plate	1
26	120-24	Rivet, Blind Alum. AD 34 ABS, all plates	24	58		U.S. Plate, Non-U.S. Argos only	1
27a	120-09	Rivet, 3/16x1	46	59	126-80	Rear Compartment Plate	1
27b	120-09	Rivet, 3/16x1	12	60	126-73	French Decals, inc. 51-58 available as set only	1
28	601-44	Nameplate, "Argo"	1	61	125-41	Dash Handle, incl. 62	1
28a	601-97	Nameplate, 6x6 Vanguard	2	62		Plug cap, avail. only with 61	2
				63	117-10	Locknut, Nylon #10-24	2
				65	103-25	PHMS #10-24x3/4" Zinc	2
				66	103-24	OHPS T/S #6x1.00 Zinc	8
				67	601-21	Headlight Rim	2
				68		See Section 9.0 Electrical System	
				69	601-16	Headlight Molding	2
				80	127-01	Reflector, Red	2
				81	103-48	Pan HD PHIL T/S #10x5/8 AB Zinc	4

7.0 Frame & Drive System

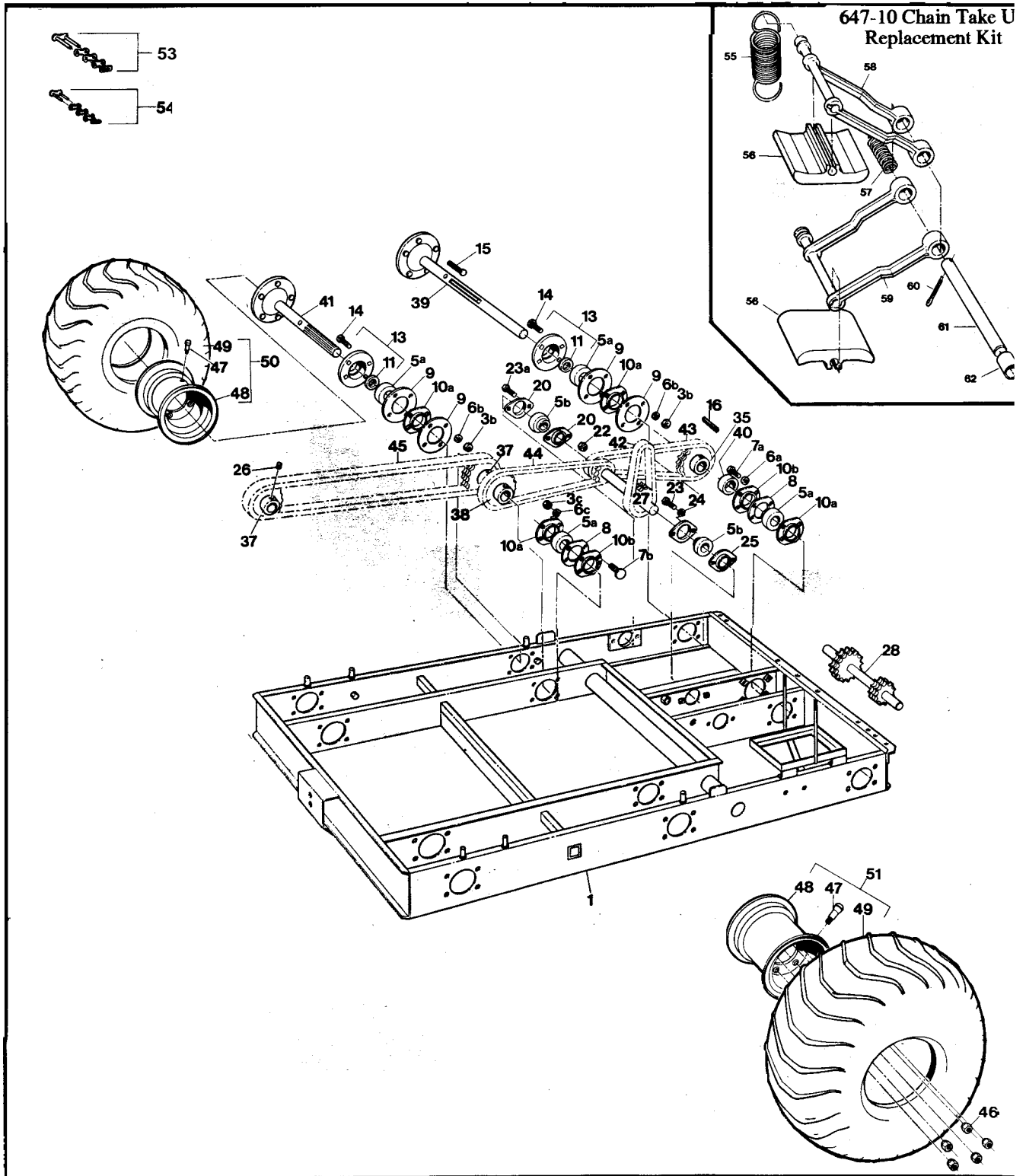


Fig. 7 Diagram of the Vehicle Frame & Drive System

7.0 Frame & Drive System

Ref	Part No.	Description	Qty	Ref	Part No.	Description	Qty
1	604-70	Frame Asm - 6x6 Van	1	35	605-84	Sprocket Asm, Keyed-24T	2
3b	117-15	Nut, Fin Hex 3/8-16 Zinc	24	37	810-29	Sprocket, M/R Axle - 19T	4
3c	117-15	Nut, Fin Hex 3/8-16 Zinc	16	38	810-28	Sprocket, Front Axle - 24T	2
5a	101-35	Bearing, Ball UC206A-20SEAAV2M	12	39	605-81	Axle Asm, Front - Keyed incl. Ref 15	
5b	101-30	Bearing, Ball 1.0 Setscrew	4	40	101-34	Locking Collar #EC206-20	2
6a	108-06	Lockwasher, 3/8" S/R Zc	8	41	810-31	Axle Asm, Mid/Rear incl. Ref 15	4
6b	108-06	Lockwasher, 3/8" S/R Zc	24	42	603-24	Chain, Idler RC40-2x48P incl. Ref 54	2
6c	108-06	Lockwasher, 3/8" S/R Zc	16	43	603-19	Chain, RC50-2x44P-Frt. incl. Ref 53	2
7a	103-17	HHCS 3/8-16x1.00 GR5 Zc	8	44	603-20	Chain, RC50-2x70P-Mid. incl. Ref 53	2
7b	103-88	C/Bolt 3/8-16x1.00 GR5 Zc	16	45	603-21	Chain, RC50-2x96P-Rear incl. Ref 53	2
8	605-99	Gasket, Flange	6	46	117-35	Nut, Wheel 7/16-20 Zinc	6x5
9	605-89	Gasket, Outer Brg Flange	12	47	125-26	Valve, Tire see 48	6
10a	605-63	Flange, Bearing - Outer	12	48	125-15	Rim, 8x7-5 Bolt incl. Ref 47	6
10b	101-20	Flange Assem., Bearing	6	49	126-96	Tire, Goodyear Runamuk 22x10-8	6
11	102-07	Seal, Grease - 1.25	6	50	126-98	Tire & Rim Assem. - LH incl. Refs 48 & 49	3
13	605-68	Flange Assem., Gr. Outer (incl 11)	6	51	126-97	Tire & Rim Assem. - RH incl. Refs 48 & 49	3
14	103-36	C. Bolt, 3/8-16x1.5"	24	53	100-96	Con. Link, RC50-2 H.D.	6x1
15	103-80	Stud, Wheel 7/16-20x1.125 #B271, see 20, 21	6x5	54	100-97	Con. Link, RC40-2 H.D.	2x1
16	110-12	Key 1/4 x 1/4 x 2.25	4	55	125-61	Spring, Tensioner	4x1
20	101-14	Flangette - 2 Hole - Trim 1"	4	56	603-61	Slider Block	4x2
22	117-21	Locknut, Nylon 5/16-18 Zinc	4	57	125-78	Spring, Spacer	4x1
23	103-06	HHCS 5/16-18x1.00 GR5 Zc	4	58	603-77	Upr Chn Tensioner Arm	4x1
23a	103-06	HHCS 5/16-18x1.00 GR5 Zc	4	59	603-76	Lwr Chn Tensioner Arm	4x1
24	108-05	Lockwasher 5/16 Zinc	4	60	100-01	Pin, Cotter 1/8x1.5" Zinc	4x1
25	101-12	Flangette - 2-Hole - 1"PFL	4	61	603-78	Pivot Pin	
26	112-03	SHSS 5/16-18x.750 GR5 Zc	6	62	603-66	Short Spacer	
27	605-93	Idler Asm - L 4x13T 2x28T	1		647-10	Chain Take Up Replacement Kit Incl. Refs 55 thru 62 as shown	4
28	605-94	Idler Asm - R 4x13T 2x28T	1				

8.0 Fuel System & Seat Assembly

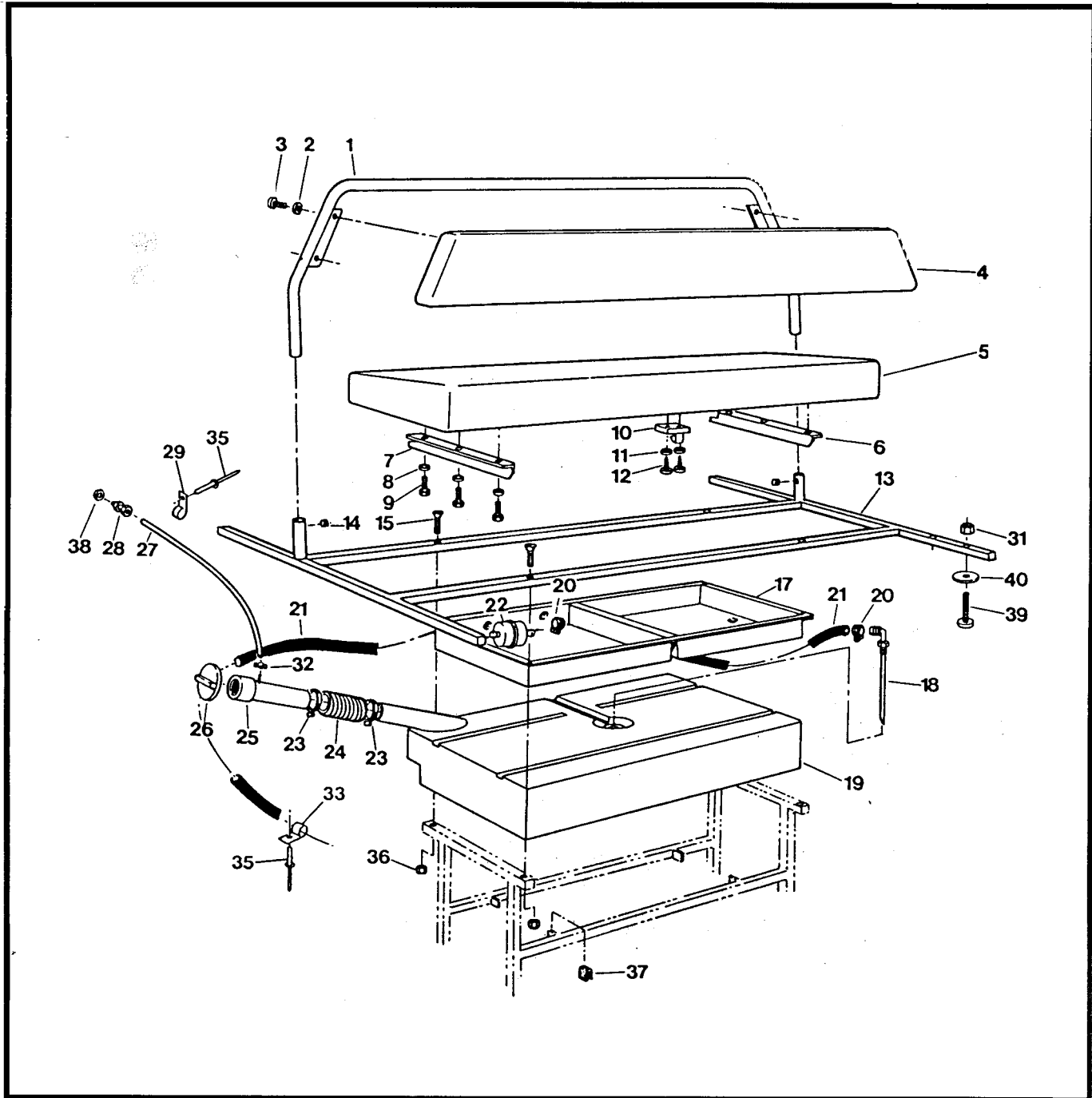


Fig. 8 Diagram of the Fuel System & Front Seat Assembly

VANGUARD Parts Manual 8.0 Fuel System & Seat Assembly

8.0 Fuel System & Seat Assembly

Ref	Part No.	Description	Qty	Ref	Part No.	Description	Qty
1	803-21	Handrail Assembly	1	21	608-27	Fuel Hose, 98"	1
2	108-03	Lockwasher, Split Ring 1/4"	4	22	125-64	Fuel Filter, G 8 1-4	1
3	103-63	PHMS, PHIL 1/4-20x 1" Zc.	4	23	100-12	Clamp, Gear 2.25" HF36	2
4	608-34	Back Pad Assembly	1	24	125-94	Filler Hose	1
5	608-33	Bench Seat Assembly	1	25	126-47	Fuel Neck Assembly	1
6	608-30	Angle, Left	1	26	126-46	Fuel Cap	1
7	608-31	Angle, Right	1	27	126-77	Hose, Vent 93"	1
8	108-03	Lockwasher, Split Ring 1/4"	6	28	126-50	Male-Connector, 1/4"	1
9	103-08	HHCS, 1/4-20x 1" Zinc	6	29	126-94	Clamp, Nylon Wire, 1/4" ID	4
10	126-39	Latch, Seat	1	31	117-10	Locknut, Nylon #10-24 Zinc	14
11	108-28	Washer, Plate #6 Zinc	2	32	126-62	Clamp, Gear 1/4" 2-Ear	1
12	103-01	W/S, Pan HD #6 x 5/8" Zinc	2	33	126-93	Clamp, Nylon Wire, 1/2" ID	2
13	804-56	Seat Frame Assembly	1	35	120-09	Rivet, 3/16 x 1 (6 Mag)	6
14	103-99	HHSS, 1/4-20x3/8" Cone Fl.	2	36	117-27	Locknut, Nylon 1/4-20 Zinc	4
15	103-98	FHMS, Slot 1/4-20x 2.0" Zc.	4	37	702-06	Foam Cushion	7
16	120-04	Washer, .195IDx.500Dx.08Z	2	38	11"-54	Locking PAL Nut, 1/2-20Zc	1
17	608-32	Tool Box	1	39	112-07	RHMS, 10-24x 1.25 Zinc	14
18	608-28	Pickup Assembly, Fuel	1	40	108-42	Washer, .062x7/32 x 1 Zinc	14
19	608-24	Tank , Fuel 32 litre, incl. #18	1				
20	100-70	Clamp, Gear 1/2" HF4	4				

9.0 Electrical System

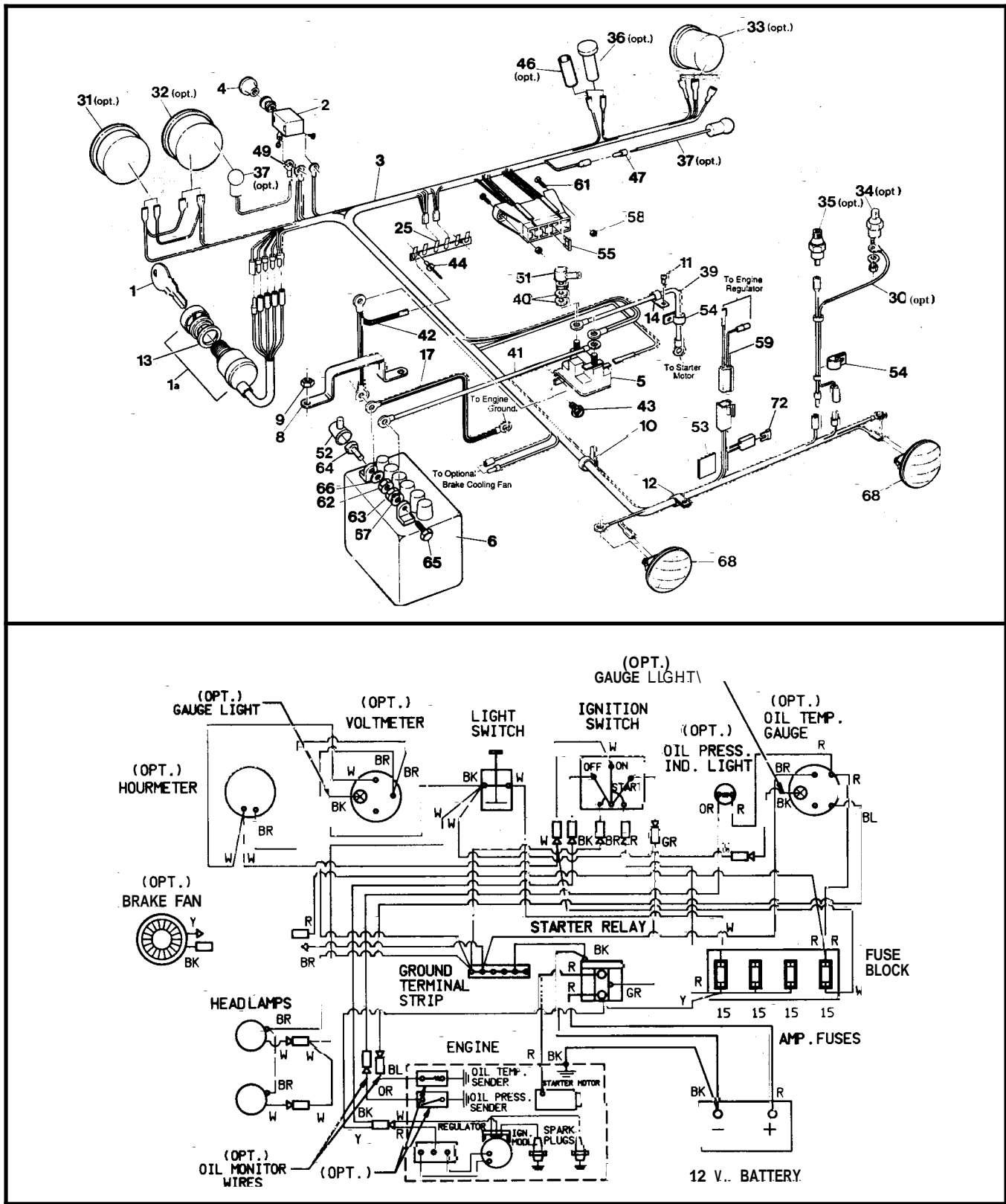


Fig.9 Diagram & Schematic of the Vanguard Electrical System

9.0 Electrical System

Ref	Part No.	Description	Qty	Ref	Part No.	Description	Qty
1	100-39A	Key	1	41	613-26	Main Power Cable	1
1a	126-17	Ignition Switch, incl. Ref 1	1	42	613-58	Ground Wire	1
2	100-62	Switch, Light	1	43	103-72	Screw, IHWH T/C Slot 1/4-20x 3/4"	2
3	613-55	Main Wire Harness, incl. Fuse Holder	1	44	120-15	Rivet, Blind SD45 BS	2
4	126-76	Knob, Light	1	46	118-48	Heat Shrink, 2 x 1/2 (opt.)	1
5	100-36	Starter Relay #SRB 325	1	47	118-02	Terminal, Male-#76- 1251-88	1
6	100-25	Battery, P-22NF245TL	1	49	118-30	Terminal, Eye - #10	1
8	604-52	Battery Retaining Bracket	1	51	613-45	Terminal Insulator (6 ga.)	1
9	117-21	Locknut, Nylon 5/16-18 Zinc	2	52	613-46	Terminal Insulator (2 ga.)	1
10	100-64	Tie Rap, 5.5" - Black	10	53	702-06	Foam Cushion	1
11	103-48	Pan HD PHIL T/S #10x5/8 AB Zinc	1	54	126-83	Clip, Hose 5/16 I.D.	2
12	126-93	Clamp, Nylon Wire -1/2" ID	12	55	118-49	Fuse, 15 Amp (AT015)	4
13	108-57	Washer, 3/4" ID, Tooth Lock	1	58	117-10	Locknut, Nylon #10-24 Zinc	2
14	126-94	Clamp, Nylon Wire - 1/4" ID	1	59	613-33	Harness, Regulator	1
17	613-18	Ground Wire	1	61	103-25	PHMS, #10-24x.750 Zinc	2
25	613-37	Ground Terminal Strip	1	62	117-20	Nut, Fin. Hex 1/4-20 Zinc	1
30	613-38	Oil Monitor Wires (opt.)	1	63	117-03	Nut, Fin. Hex 5/16-18 Zinc	1
31	632-15	Hourmeter, #56548-10 (#876EM) (opt.)	1	64	112-04	HHCS, 1/4-20x3/4" GR2 Zinc	1
32	633-10	Voltmeter, #07583-15 (#830EM) (opt.)	1	65	112-01	HHCS, 5/16-18x3/4" GR5 Zinc	1
33	634-11	Oil Temp. Gauge #07556-88 (#828EM) (opt.)	1	66	108-08	Washer, 1/4" SAE Zinc	1
34	634-12	Oil Temp. Sender #02024-00 (opt.)	1	67	108-24	Washer, 5/16" SAE Zinc	1
35	j2.099 06	Oil Pressure Switch, 6 psi (opt.) (Kohler#)	1	68	100-32	Headlamp	2
36	634-08	Engine Oil Pressure Light (opt.)	1	72	118-51	Fuse, 30A 2-prong (AT030)	1
37	634-10	Light Kit, #06215-00 5/8" dia., see Ref. 32,33 (opt.)	2				
39	613-49	Cable Starter	1				
40	108-05	Lockwasher, 5/16 Zinc	2				

ARGO Products- *Manufactured by:*

Ontario Drive & Gear Limited

P.O. Box 280, Bleams Road

New Hamburg, Ontario

NOB 2G0

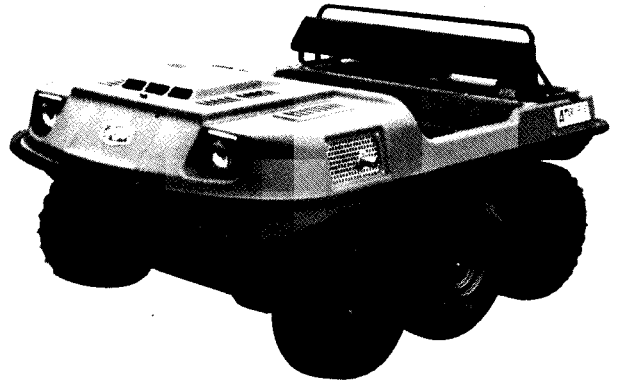
Phone: (519) 662-2840

FAX: (519) 662-2421

Manual No. 693-36

ODG *Dedicated to quality and performance*

Argo 6x6
VANGUARD



ARGO

VANGUARD PARTS MANUAL

Model No. V694-36
From Serial #S7447

Foreword

ODG has prepared this parts manual for the **6 VANGUARD** Model to assist both qualified mechanics and vehicle owners in ordering correct, quality replacement **ARGO** parts.

Proper and regular service, and replacing old, worn or broken parts with the correct **ARGO** replacement parts, are both essential to prolonging the life of the **ARGO**. Please refer to this parts manual before ordering any replacement part.

All information contained in this **VANGUARD** Parts Manual is based on the latest product specification available at time of printing. If your **6 VANGUARD** differs from the specifications contained in this manual, **contact Ontario Drive & Gear Limited for information.**

ODG reserves the right to alter specifications on the **VANGUARD** model at any time, without obligation or prior notification.

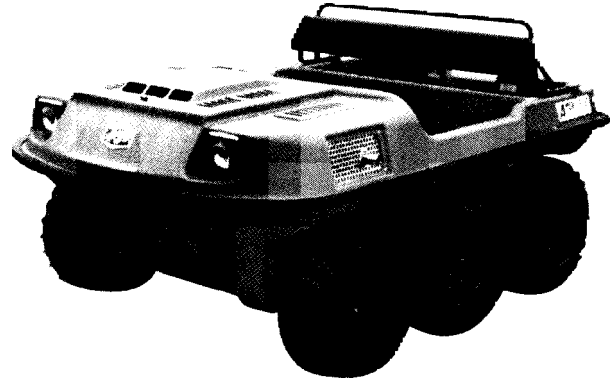
Reproduction of the **VANGUARD Parts Manual No. 694-36**, in whole or in part, is prohibited without prior written permission from **Ontario Drive & Gear Limited.**

Model Identification

6 VANGUARD - Model No. V694-36

Explanation of Parts Manual Format

- Reference Number between Assembly Diagram and Component Parts List
- Part No.** - Argo replacement part number for identification and re-ordering
- Description** - Part Description for identification and re-ordering
Indicates the quantity of a part used in an Assembly

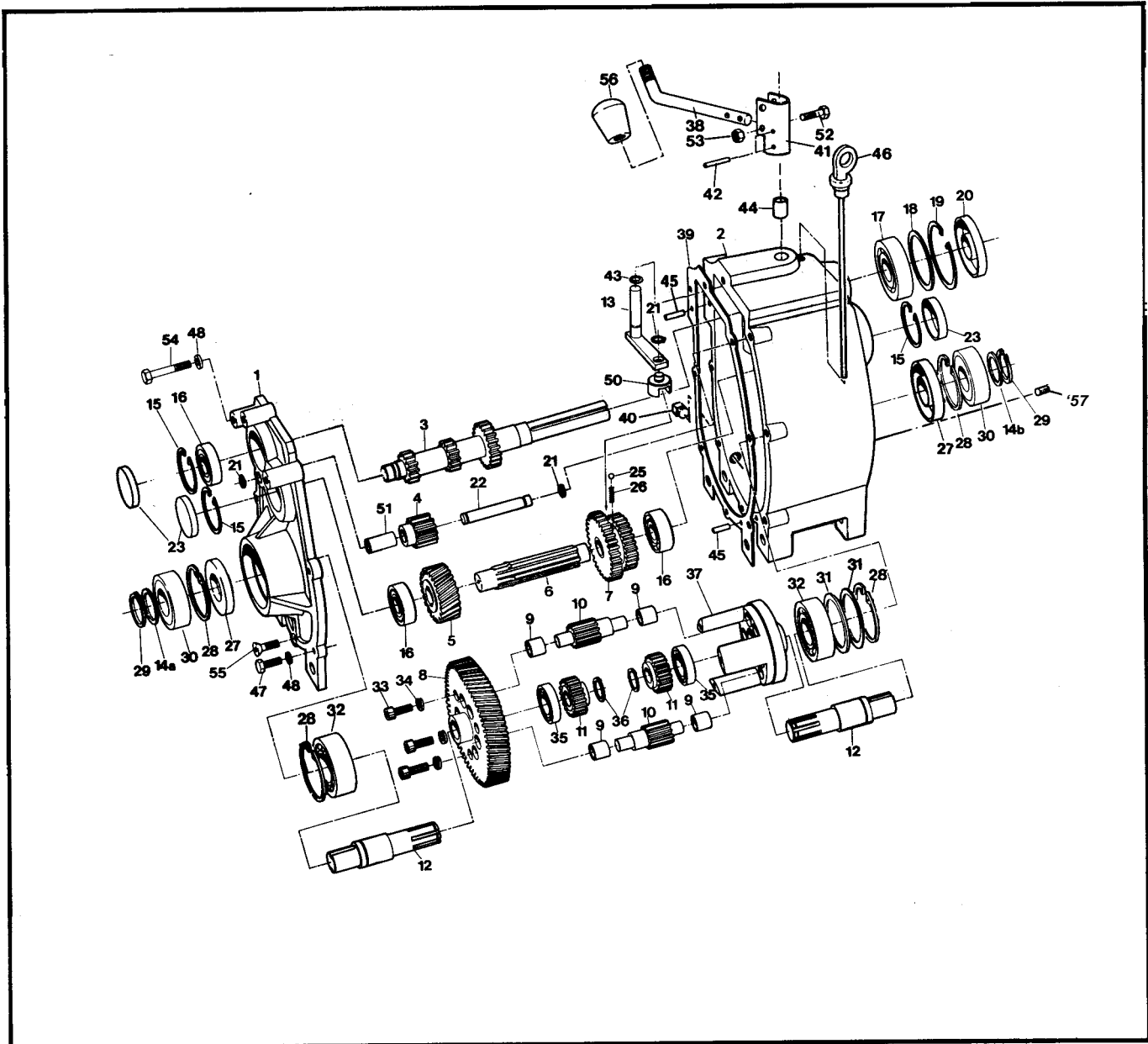


Using the Parts Manual

1. Find the major vehicle assembly in the Table of Contents on this page, and turn to that section.
2. Locate the part in the illustration that you wish to order.
3. Refer to the parts list in that section,
4. Find the correct part number (Part No.), part description (Description) and correct quantity (Qty).
5. Use only this information to order ARGO replacement parts. DO NOT attempt to order a replacement part by Ref number or Page number.

Table of Contents	
Foreword.....	i
Model Identification	i
Using the Parts Manual.....	ii
1.0 Transmission.....	1
2.0 Intake and Exhaust System.....	3
3.0 Clutch System.....	3
4.0 Power Pack Assembly	5
5.0 Brake System.....	7
6.0 Vehicle Body & Firewall.....	9
7.0 Frame & Drive System.....	11
8.0 Fuel System & Seat Assembly	13
9.0 Electrical System.....	15

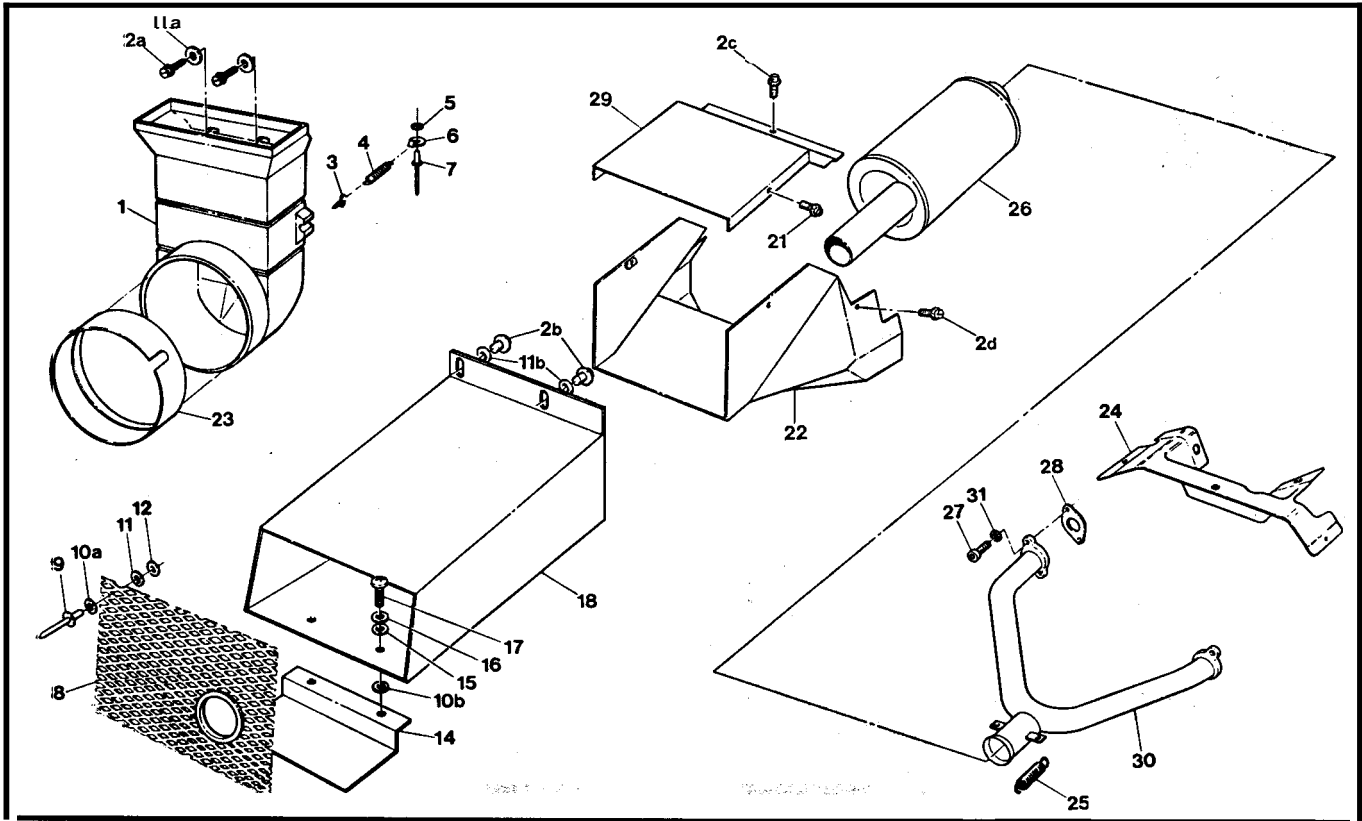
1.0 Transmission



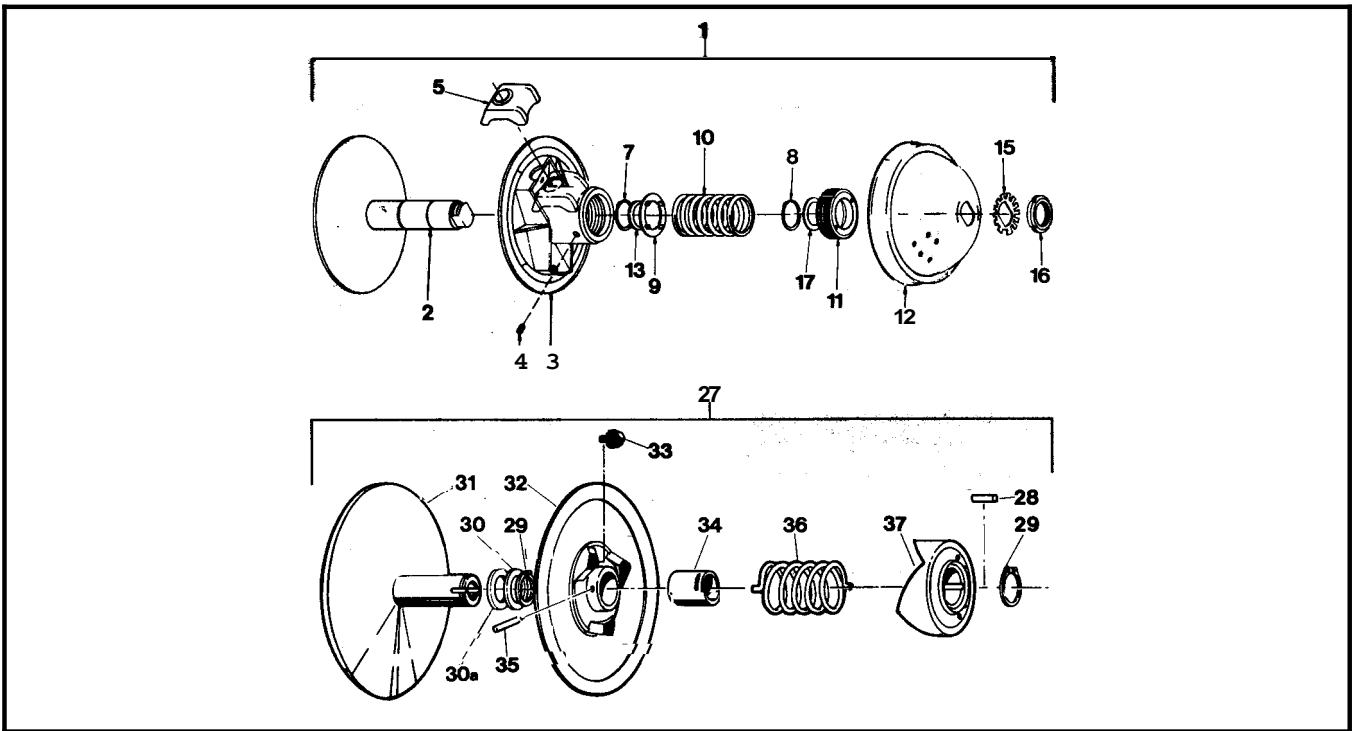
1.0 Transmission

Ref	Part No.	Description	Qty	Ref	Part No.	Description	Qty
	10-17HU	Transmission Asm - HU, does not include Refs 38, 52 53 & 56		31	114-01	Washer, Shim .020x2.25x2.8 1	2
1	34-68	Cover, Transmission	1	32	101-03	Bearing, Ball 6207-C 3	2
2	34-99	Housing, Transmission	1	33	103-04	SHCS, 5/16-18 x 1.00 PL	3
3	34-21	Shaft, Input - 13/ 21 T	1	34	108-02	Lockwasher, Hi-Collar 5/16, PL	3
4	34-16A	Gear, Idler 13T, incl. bushing incl. Ref. 51	1	35	101-15	Bearing, Ball 6005-C 3	2
5	34-96	Gear, Helical - 26T	1	36	107-04	Retaining Ring N1400-98	2
6	34-94	Shaft, Splined	1	37	34-08	Cage	1
7	34-91	Gear, Double - 26/33 T	1	38	610-67	Shift Lever Rod	1
8	34-43	Gear Plate - 71T	1	39	34-47	Gasket, Cover - 1/64" Thk	1
9	105-03	Bushing, Oilite -AA650	12	40	103-02	Plug, Magnetic 3/8-18 NPT Sq. Hd	1
10	34-13	Gear, Planet - 12 T	6	41	34-86	Holder, Shift Lever	1
11	34-14	Gear, Sun - 21 T	2	42	111-01	Pin, Spirol 5/32 x 1.00	2
12	34-81	Shaft, output	2	43	113-01	0-Ring 012-7147	1
13	34-65	Shifter Asm	1	44	105-02	Bushing, Oilite - AA628	1
14a	114-04	Washer, Shim .040 Thk	1	45	104-03	Pin, Dowel 1/4" x 7/8" long	2
14b	114-05	Washer, Shim .020 Thk	1	46	34-77	Dipstick, with Breather	1
15	106-01	Retaining Ring #5000-187	3	47	103-06	HHCS 5/16-18x1.00 GR5 Zinc	4
16	101-01	Bearing, Ball 62042-C 3	3	48	108-05	Lockwasher 5/16 Zinc	7
17	101-16	Bearing, Ball 6206-C3	1	50	34-63	Shift Yoke	1
18	114-02	Washer, Shim 2.062	1	51	105-05	Bushing, Oilite - AA650-3 in Ref. 4	1
19	106-05	Retaining Ring N1300-244	1	52	103-97	HHCS 1/4-20x1.25 GR5 Zc	1
20	102-05	Seal, Oil WBS 30x62x10 NB D/Lip	1	53	117-27	Locknut , Nylon 1/4-20 Zinc	1
21	107-05	Retaining Ring N 1400-50	3	54	103-84	HHCS 5/16-18x2.25 GR5 Zinc	3
22	34-11	Pin, Dowel 1/2 x 3.50	1	55	103-95	FHSC 5/16-18x1.0 GR8 Zinc	1
23	31-07	Plug plate	3	56	126-38	Knob, Shift	1
25	109-05	Ball, Steel 6mm 62-67 Rc	1	57	103-93	SHSS, 3/8-16x3/8 cup Pt. Zc	1
26	34-32	Spring, Compression - 7/32 x .50	1				
27	102-03	Seal, Oil WBS 30x72x10 NB D/Lip	2				
28	106-03	Retaining Ring #5000-28 1	4				
29	107-02	Retaining Ring N1400-118	2				
30	101-05	Bearing, Ball 6306-2NSL C	2				

2.0 intake and Exhaust System



3.0 Clutch System



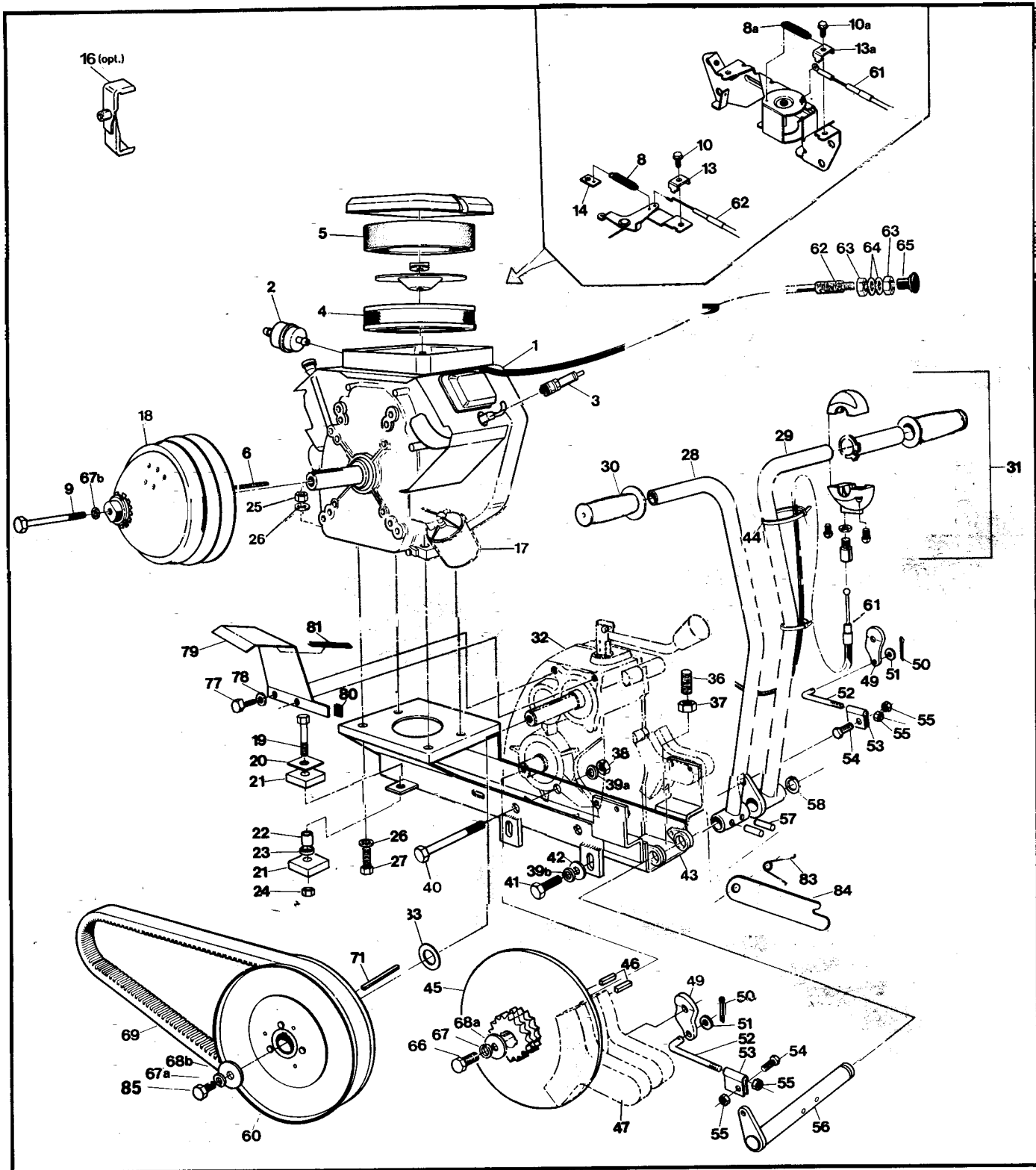
2.0 Intake and Exhaust System

Ref	Part No.	Description	Qty	Ref	Part No.	Description	Qty
1	603-81	Duct, Intake	1	15	125-58	Washer, Fibre - W-77F	2
2a	103-72	Screw, IHWH T/C Slot 1/4-20x3/4	2	16	108-11	Lockwasher 3/16 Zinc	2
2b	103-72		2	17	103-25	PHMS 10-24x.750 Zinc	2
2c	103-72		1	18	707-24	Duct, Exhaust	1
2d	103-72		2	21	103-11	Screw, IHWH Slot 1/4-20x.50 ZN	2
3	103-27	Screw Eye B6, Zinc	1	22	707-20	Duct - Engine Exhaust Asm.	1
4	126-01	Spring, Extension - 2.75"	1	23	603-82	Seal	1
5	120-19	Washer .030x.147x5/16 ZN	1	24	607-94	Cover, Air Guide #807661	1
6	126-02	Hook , Molly	1	25	126-57	Spring, Exhaust	2
7	120-01	Rivet, Aluminum AD 48 BS	1	26	707-10	Muffler, Vanguard	1
8	707-30	Screen <i>Asm</i> , Exhaust	1	27	112-30	SHCS, M8x1.25x20.0 Zinc	4
9	120-09	Rivet 3/16x 1	4	28	805024	Gasket	2
10a	125-59	Washer, Fibre - .062x.25x.50	4	29	707-23	Cover, Exhaust Duct	1
10b	125-59		2	30	707-00	Manifold, Exhaust-Vanguard	1
11	108-08	Washer, 1/4SAE Zinc	4	31	108-02	Lockwasher, Hi-Collar 5/16, PL	4
11a	108-08		2				
11b	108-08		2				
12	120-05	Washer, .195x.50x.040 Zinc	4				
14	607-81	Bracket, Exhaust Duct	1				

3.0 Clutch System

Ref	Part No.	Description	Qty	Ref	Part No.	Description	Qty
1	126-54	Clutch, Driver B, keyed incl. Refs 2 to 17	1	27	126-24	Clutch, Driven Model "B" SODB0001 incl. Refs 28 to 37	1
2	V01L4I1F	Pulley, Half - Fixed	1	28	ASK-5	Key 1/4x1/4x3/4	1
3	V02F	Pulley, Half - Sliding	1	29	ASR-6	Retaining Ring N1400-150	2
4	V046	Lock Screw (use Loctite 242)	1	30	ASA-1	Spacer .050" Thick	as req
5	V05BMN-200	Block + 200 g Lead Slug Asm	3	30a	ASA-1-S	Spacer .025" Thick	as req
7	V08	Retaining Ring D 1400-350	1	31	AFK25.4-250OD01	Pulley, Half - Fixed	1
8	V082	Retaining Ring N1408-137	1	32	AMC-2-250OD01	Pulley, Half - Sliding	1
9	V09	Spring Guide Plate	1	33	ANS-2-T	Shoe, Cam	3
10	V10-48-108-18	Spring, Blue 4.375	1	34	AMB-2	Bushing, Bronze	1
11	V111	Threaded Cap	1	35	CPP-2-156	Pin, Spirol	1
12	V1203B	Cap, Type "B"	1	36	ACS-3-188	Spring, Blue	1
13	x-35	Spacer	as req	37	AFC-4-C3D3	Cam	1
15	V15	Lockwasher	1				
16	V16	Locknut	1				
17	x-35	Spacer	as req				

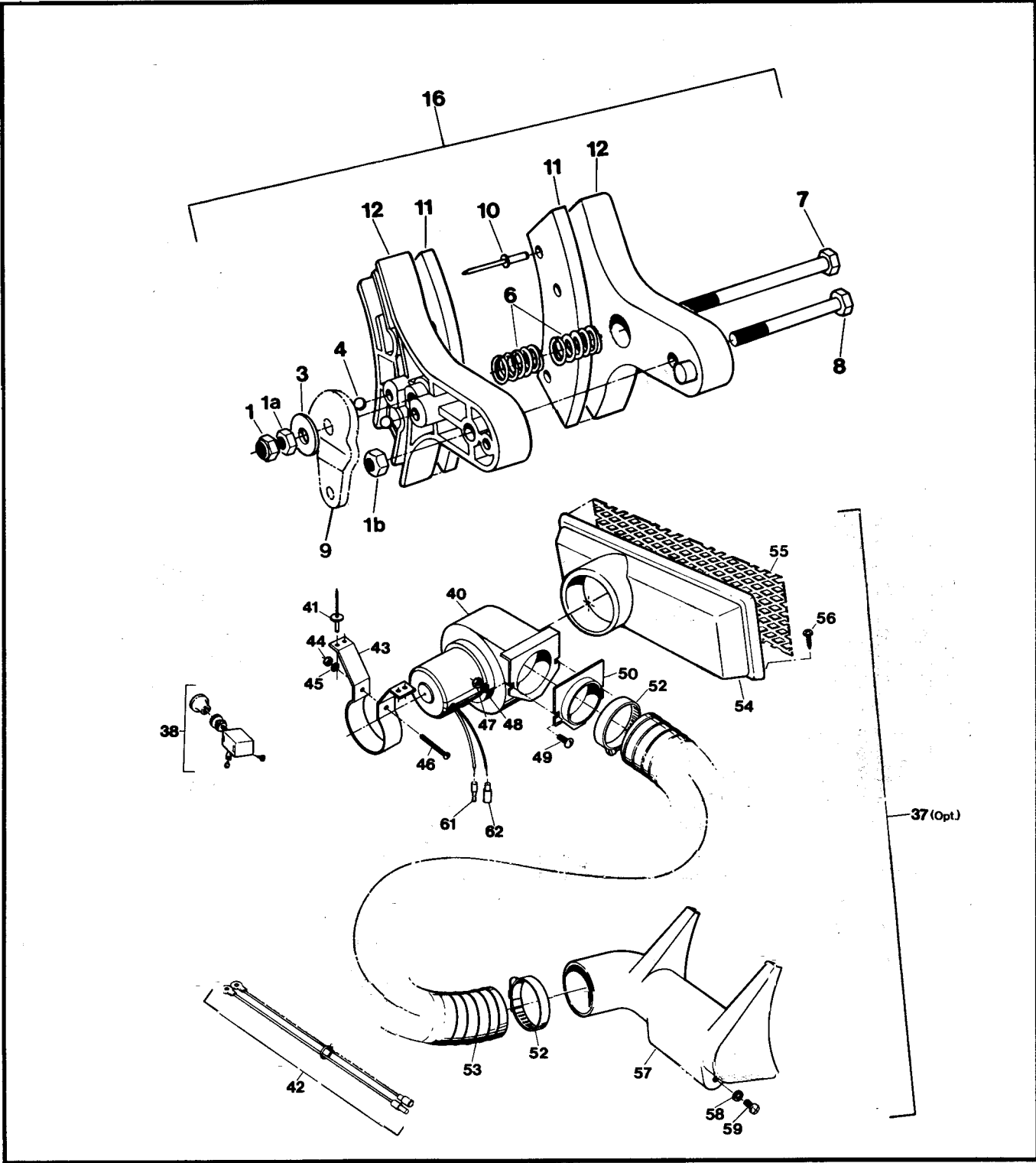
4.0 Power Pack Assembly



4.0 Power Pack Assembly

Ref	Part No.	Description	Qty	Ref	Part No.	Description	Qty
1	126-52	Engine - Vanguard V-Twin 16 HP incl. refs 2-15, 17	1	41	103-21	HHCS 1/2-20x1.50 GR5 ZN	4
2		See Section 8.0 Fuel System & Seat Assembly		42	108-09	Washer 1/2 Zinc	4
3	126-74	Spark Plug #3926	2	43	611-43	Frame-Power Pack Vanguard	1
4	394018	Cartridge - Air Cleaner (BS#)	1	44	100-64	Tie Wrap - 5.5" - Black	6
5	271271	Element - Air Cleaner (BS#)	1	45	610-24H	Brake Disc-#40-2x15T w/hole	2
6	110-03	Key 1/4x3/16x2.375 RC46	1	46	110-08	Key 1/4x1/4x1.25	4
8	125-88	Spring, Return	1	47		See Section 5.0 Brake System	
8a	125-88	Spring, Return	1	49	612-88	Brake Cam	2
9	112-28	HHCS, 3/8-24x4.5 GR5 Zinc	1	50	100-03	Pin, Cotter 3/32x.750 Zinc	2
10	805169	Screw-Hex Head (BS #)	1	51	108-24	Washer 5/16 SAE Zinc	2
10a	805169	Screw-Hex Head (BS #)	1	52	612-21	Brake Adjusting Rod	2
13	805170	Clamp - Casing (BS#)	1	53	612-20	Steering Rod Clamp	2
13a	805170	Clamp - Casing (BS#)	1	54	103-46	HHCS 5/16-24x1.00 Zinc	2
14	601-86	Clip, Retainer	1	55	117-46	Locknut, 2-way 5/16-24 Zinc	4
16	658-13	Wrench, Oil Filter	1	56	612-81	Steering Shaft Asm.	1
17	126-95	Filter, Oil	1	57	111-04	Pin, Spirol 5/16x1.50	2
18		See Section 3.0 Clutch		58	107-01	Retaining Ring, N1400-87	1
19	103-19	HHCS, 3/8-24x2.50 GR5 ZN	2	60		See Section 3.0 Clutch System	
20	610-42	Plate	2	61	612-89	Cable Asm, Throttle - Van.	1
21	125-65	Rubber Hinge	4	62	601-98	Cable Asm, Choke - Van. incl. 63	1
22	610-36	Bushing, Motor Mount	2	63		Jam Nut, 5/16-24, Part of 62	2
23	202-24	Washer, Rubber	2	64	108-24	Washer 5/16 SAE Zinc	2
24	117-24	Locknut, Nylon 3/8-24 Zinc	2	65	126-75	Knob, Choke - Black	1
25	117-21	Locknut, Nylon 5/16-18 Zinc	4	66	103-18	HHCS 3/8-24x1.25 GR5Zinc	2
26	108-24	Washer 5/16 SAE Zinc	8	67	108-06	Lockwasher, 3/8 S/R, Zinc	2
27	112-27	HHCS 5/16-18x1.75 GR5ZN	4	67a	108-06	Lockwasher, 3/8 S/R, Zinc	1
28	612-82	Lever, Steering LH	1	67b	108-06	Lockwasher, 3/8 S/R, Zinc	1
29	612-83	Lever, Steering RH	1	68a	108-18	Washer 13/32x1.375x11GA	2
30		Dummy Grip, as set with 31	1	68b	108-46	Washer 13/32x1.375 Hi-Carb	1
31	100-57	Throttle Twist Grip Set incl. 30	1	69	125-56	Drive Belt	1
32		see Section 1.0 Transmission		71	110-09	Key 1/4x1/4x3.0	1
33	108-36	Washer .08x1.00x1.375 Zinc	as req	77	103-17	HHCS 3/8-16x1.00 GR5Zinc	2
36	103-87	SHSS 1/2-20x2.00 Zinc	2	78	108-26	Washer 3/8 Zinc	2
37	117-45	Nut, Jam 1/2-20 Zinc	2	79	603-29	Guard, Belt Protect	1
38	117-06	Nut, Fin Hex 1/2-13 Zinc	2	80	601-92	Vinyl Trim, 1.5"	1
39a	108-07	Lockwasher 1/2 Zinc	2	81	601-93	Vinyl Trim - 4.25"	1
39b	108-07	Lockwasher 1/2 Zinc	4	83	126-87	Spring, Parking Brake	1
40	103-20	HHCS 1/2-13x6.50 GR5Zinc	2	84	612-80	Holding Brake Lever	1
				85	103-34	HHCS 3/8-16x1.25 GR5Zinc	1

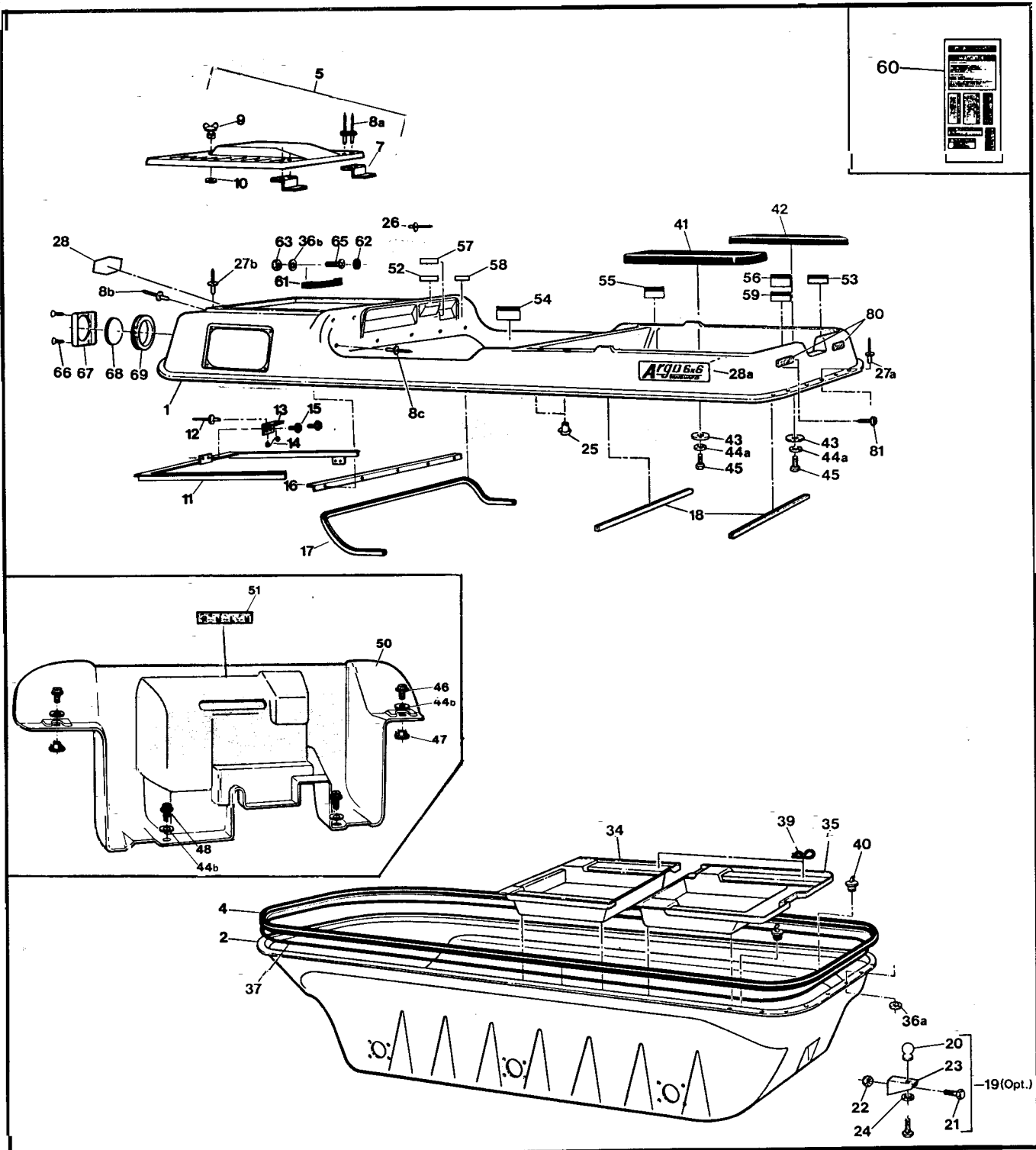
5.0 Brake System



5.0 Brake System

Ref	Part No.	Description	Qty	Ref	Part No.	Description	Qty
1	117-46	Locknut, 2-way 5/16-24 ZN	1	37	668-02	Brake Cooling Kit-Vanguard	1
1a	117-46	Locknut, 2-way 5/16-24 ZN	1			(incl. Refs 38 to 62)	
1b	117-46	Locknut, 2-way 5/16-24 ZN	1	38	100-62	Switch, Light	1
3	108-12	Washer, 1 ODx11/32IDx 16GA Zinc	1	.	125-92	Adpt. & Mounting Kit (incl. Refs 43 to 50)	
4	109-02	Ball, Steel 1/4 Chromesteel	2				
6	100-10	Spring, Compression	2	40	125-91	Blower Fan	1
7	103-16	HHCS 5/16-24x3.75 GR8ZN	1	41	120-13	Rivet #U48151D Dome 0619	4
8	103-29	HHCS 5/16-24x2.75 GR8ZN	1	42	613-05	Wire Harness	1
9		See Section 4.0-Power Pack Assembly		43		Mounting Bracket	1
				44		Nut, #10-32	1
10	120-11	Rivet, Blind SD 56 BS	4	45	See	Lockwasher, 3/16"	1
11	100-56	Brake Pad, Set of 2	1	46	125-92	Screw, #10-32 x 2"	1
12	100-54	Caliper, Brake	2	47	above	Nut, 1/4-20	2
				48		Lockwasher, 1/4"	2
				49		Screw, 1/4-20 x 5/8"	2
16	100-72a	Brake Assembly (incl. Refs. 1 to 8, 10 to 12)	1	50		Adaptor, 3" dia.	1
				52	125-35	Clamp, Gear 3.50" HF-52	2
				53	126-37	Hose, Intake 3" dia. x 36"	1
				54	601-89	Intake Flange (specify clr)	1
				55	126-61	Intake Screen	1
				56	103-48	Pan HD Phil T/S #10x5/8 AB Zinc	4
				57	126-36	Brake Cool Air Duct	1
				58	108-56	Lockwasher 1/4 Ext. Tooth Zinc	2
				59	103-96	PHMS, Phil 1/4-20x5/8 Zinc	2
				61	118-02	Terminal, Male-#76-1251	1
				62	118-03	Terminal, Female - #76-1289	1

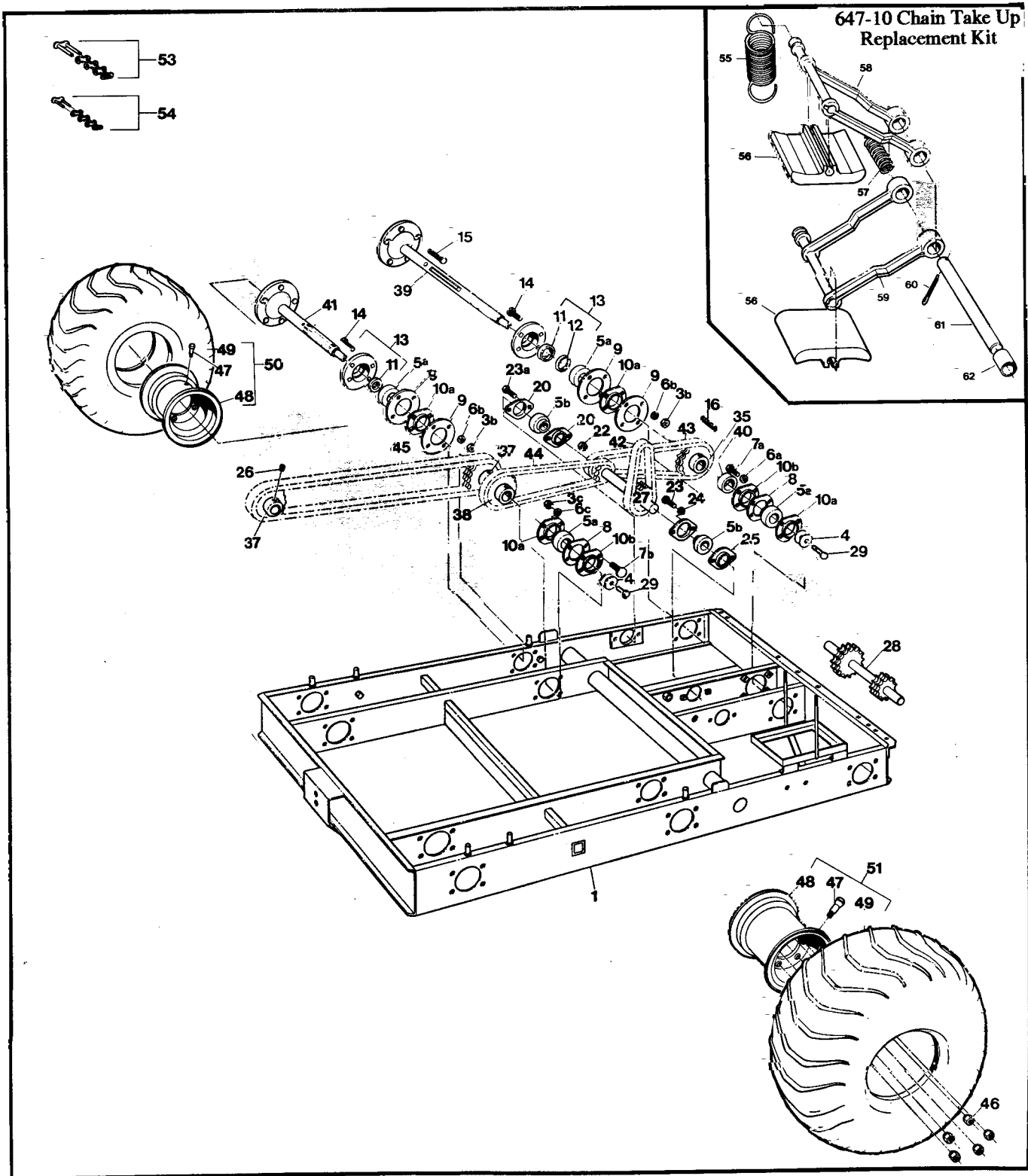
6.0 Vehicle Body & Firewall



6.0 Vehicle Body & Firewall

Ref	Part No.	Description	Qty	Ref	Part No.	Description	Qty
1	601-99	Body + Hood, Upper - Replacement, specify colour	1	34	603-02	Floor Pan, Front 6x6 specify colour	1
2	603-42	Body, Lower - 6x6, specify colour	1	35	603-03	Floor Pan, Rear 6x6 specify colour	1
4	601-05	Bumper, Vinyl - 6x6	1	36a	120-04	Washer, .195IDx.50ODx.08 Zc	46
5	602-35	Hood Assem.- VAN, specify colour, (incl. 9 & 10)	1	36b	120-05	Washer, .195x.50x.04 Zc	2
7	602-28	Hinge Clip, Hood	2	37	126-60	Vinyl Strip 1/2"x1/4"x37.5'	1
8a	120-13	Rivet #U48151D Dome	4	39	100-16	Clip, Hitch Pin 1.625 Znc	4
8b	120-13	Rivet #U48151D Dome	15	40	100-18	Plug, Drain 5/8" x 13/32"	2
8c	120-13	Rivet #U48151D Dome	5	41	601-03	Seat, Rear LH - 6x6	1
9	126-10	Wing Stud	1	42	601-02	Seat, Rear RH - 6x6	1
10	126-09	Grommet, Alum. #GH-7	1	43	603-15	Washer, Plastic	2
11	601-83	Hood Support Assembly	1	44a	108-08	Washer, 1/4 SAE Zinc	2
12	120-15	Rivet, Blind SD 45 BS	2	44b	108-08	Washer, 1/4 SAE Zinc	4
13	601-69	Spring Plate	1	45	103-08	HHCS 1/4-20x1.00 Zinc	2
14	126-11	Spring	1	46	103-11	Screw, IHWH Slot 1/4-20x.50 ZN	1
15	103-72	Screw, IHWH T/C Slot 1/4-20 x 3/4"	2	47	117-44	T-Nut, 1/4-20 PL	2
16	601-24	Brace, Dash	1	48	103-72	Screw, IHWH T/C Slot 1/4-20x3/4	2
17	601-08	Vinyl Trim, 84"	1	50	609-31BL	Firewall, Vanguard	1
18	601-09	Vinyl Trim, 28"	2	51	126-65	Shifting Plate	1
19	626-00	Trailer Hitch Kit (Opt.) (incl. Ref. 20-24)	1	52	126-66	Steering Lever Plate	1
20		Coupler Ball, Bolt & Lockwasher	1	53	126-67	Floor Pan Plate	1
21	See 19	Bolt, 3/8-24x 1 1/2"	2	54	126-68	Operation Plate	1
22	above	Locknut, 3/8-24	2	55	126-69	Fuel Plate	1
23		Hitch Tongue	1	56	126-70	Vehicle Capacity Plate	1
24		Washer, 3/4x1.5x.125 SAE Zc	1	57		Vehicle ID Plate	1
25	117-44	T-Nut 1/4-20 PL	4	58		U.S. Plate, Non-U.S. Argos only	1
26	120-24	Rivet, Blind Alum. AD 34 ABS, all plates	24	59	126-80	Plate, Capacity - 6 whl.	1
27a	120-09	Rivet, 3/16x1	46	60	126-73	French Decals, inc. 51-58 available as set only	1
27b	120-09	Rivet, 3/16x1	12	61	125-41	Dash Handle, incl. 62	1
28	601-44	Nameplate, "Argo"	1	62		Plug cap, avail. only with 61	2
28a	601-97	Nameplate, 6x6 Vanguard	2	63	117-10	Locknut, Nylon #10-24 Zinc	2
				65	103-25	PHMS #10-24x3/4" Zinc	2
				66	103-24	OHPS T/S #6x1.00 Zinc	8
				67	601-21	Headlight Rim	2
				68		See Section 9.0 Electrical System	
				69	601-16	Headlight Molding	2
				80	127-01	Reflector, Red	2
				81	103-48	Pan HD PHIL T/S #10x5/8 AB Zinc	4

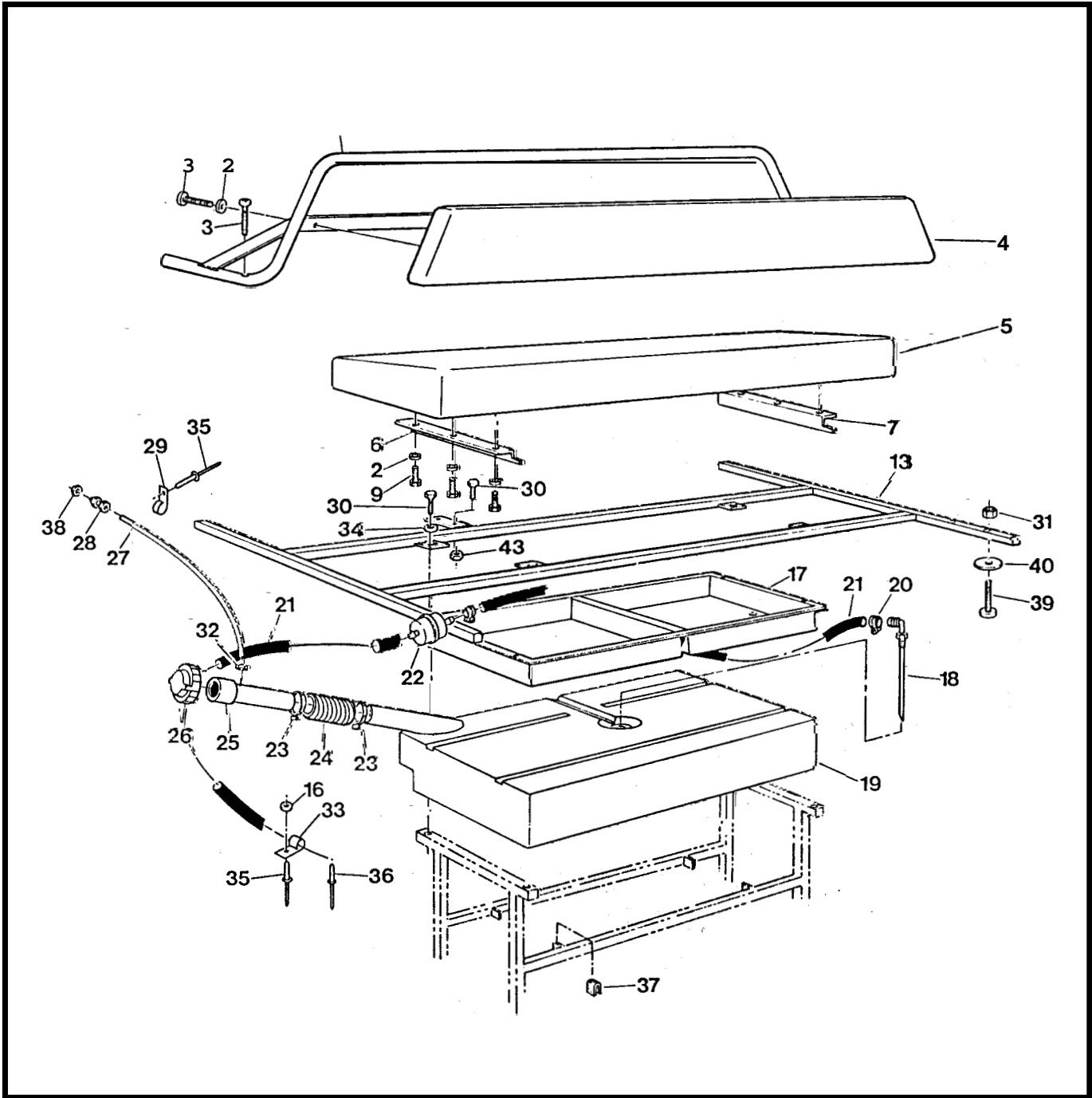
7.0 Frame and Drive System



7.0 Frame and Drive System

Ref	Part No.	Description	Qty	Ref	Part No.	Description	Qty
1	604-70	Frame Asm - 6x6 Van	1	35	605-84	Sprocket Asm, Keyed-24T	2
3b	117-15	Nut, Fin Hex 3/8-16 Zinc	24	37	810-29	Sprocket, M/R Axle - 19T	4
3c	117-15	Nut, Fin Hex 3/8-16 Zinc	16	38	810-28	Sprocket, Front Axle - 24T	2
4	108-46	Washer 13/32x1.375 Hi-Carb	12	39	606-22	Axle Asm, Front - Keyed (incl. Ref 15)	2
5a	101-41	Bearing, Ball UC206A-16	6	40	101-34	Locking Collar #EC206-20	2
5b	101-30	Bearing, Ball 1.0 Setscrew	4	41	810-75	Axle Asm, Mid/Rear (incl. Ref 15)	4
6a	108-06	Lockwasher, 3/8" S/R Zc	8	42	603-24	Chain, Idler RC40-2x48P (incl. Ref 54)	2
6b	108-06	Lockwasher, 3/8" S/R Zc	24	43	603-19	Chain, RC50-2x44P-Frt. (incl. Ref 53)	2
6c	108-06	Lockwasher, 3/8" S/R Zc	16	44	603-20	Chain, RC50-2x70P-Mid. (incl. Ref 53)	2
7a	103-17	HHCS 3/8-16x1.00 GR5 Zc	8	45	603-21	Chain, RC50-2x96P-Rear (incl. Ref 53)	2
7b	103-88	C/Bolt 3/8-16x1.00 GR5 Zc	16	46	117-35	Nut, Wheel 7/16-20 Zinc	5x6
8	605-99	Gasket, Flange	6	47	125-26	Valve, Tire (See Ref. 48)	6
9	605-89	Gasket, Outer Brg Flange	12	48	125-15C	Rim, 8x7-5 Bolt c/w valve (incl. Ref 47)	6
10a	605-63	Flange, Bearing - Outer	12	49	126-96	Tire, Goodyear Runamuk 22x10-8	6
10b	101-20	Flange Assem., Bearing	6	50	126-98C	Tire & Rim Assem. - LH (incl. Refs 48 & 49)	3
11	102-07	Seal, Grease - 1.25	6	51	126-97C	Tire & Rim Assem. - RH (incl. Refs 48 & 49)	3
12	102-15	Seal, Oil CR#12379	6	53	100-96	Con. Link, RC50-2 H.D.	1x6
13	605-97	Flange Assem., Outer (uses Ref. 11 & 12)	6	54	100-97	Con. Link, RC40-2 H.D.	1x2
14	103-36	C. Bolt, 3/8-16x1.5" GR5 Zc	24	55	125-61	Spring, Tensioner	1x4
15	103-80	Stud, Wheel 7/16-20x1.125 #B271, (See Ref. 39 and 41)	5x6	56	603-61	Slider Block	2x4
16	110-12	Key 1/4 x 1/4 x 2.25	4	57	125-78	Spring, Spacer	1x4
20	101-14	Flangette - 2 Hole - Trim 1"	4	58	603-77	Upr Chn Tensioner Arm	1x4
22	117-21	Locknut, Nylon 5/16-18 Zinc	4	59	603-76	Lwr Chn Tensioner Arm	1x4
23	103-06	HHCS 5/16-18x1.00 GR5 Zc	4	60	100-01	Pin, Cotter 1/8x1.5" Zinc	1x4
23a	103-06	HHCS 5/16-18x1.00 GR5 Zc	4	61	603-78	Pivot Pin	1x4
24	108-05	Lockwasher 5/16 Zinc	4	62	603-66	Spacer, .500 ID x .625 lg	1x4
25	101-12	Flangette - 2-Hole-1"PFL 205	4	.	647-10	Chain Take Up Replacement Kit (incl. Refs 55 thru 62 as shown)	4
26	112-03	SHSS 5/16-18x3/8 1/2 DOG,PL	6				
27	605-93	Idler Asm - L 4x13T 2x28T	1				
28	605-94	Idler Asm - R 4x13T 2x28T	1				
29	112-31	HHCS 3/8-16x1.0 2B GR8 Zc	6				

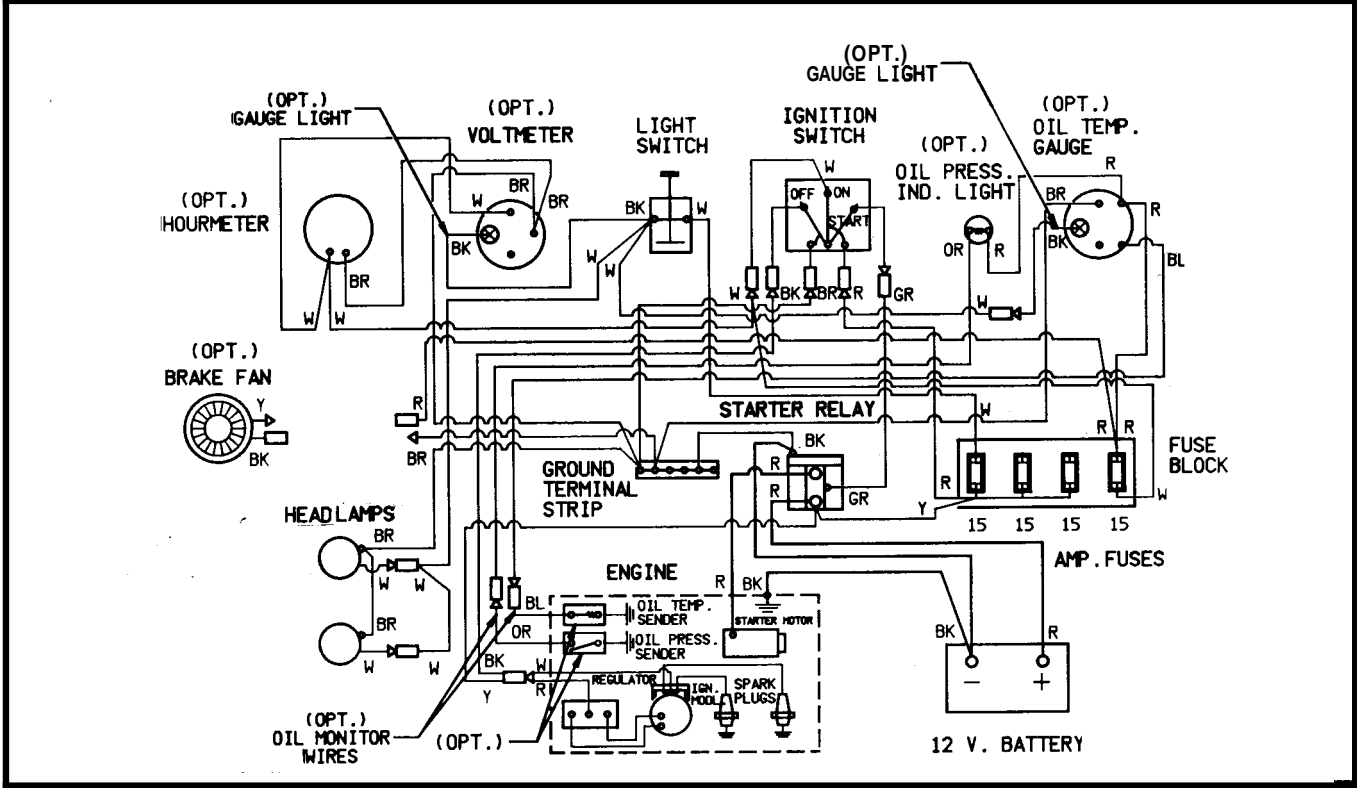
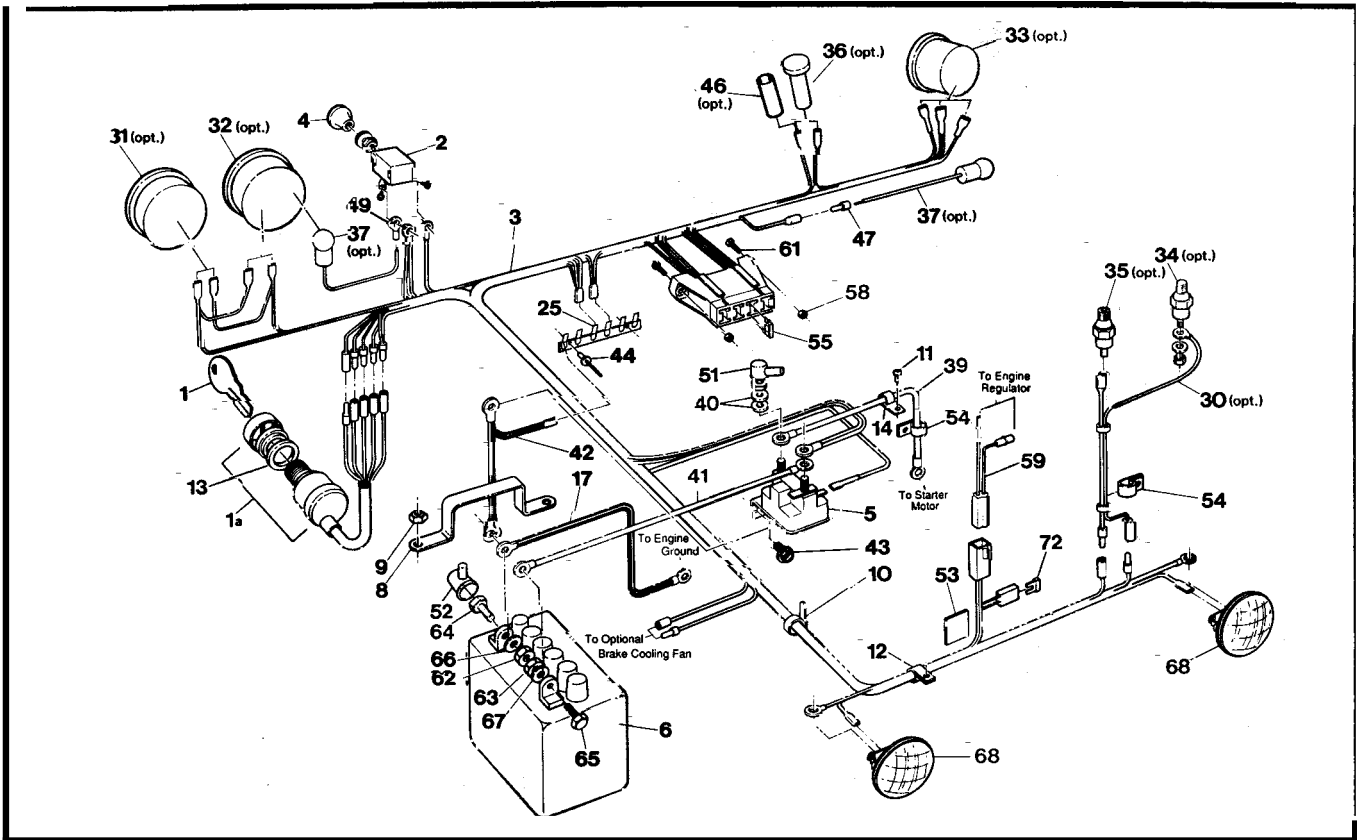
8.0 Fuel System and Seat Assembly



8.0 Fuel System and Seat Assembly

Ref	Part No.	Description	Qty	Ref	Part No.	Description	Qty
1	803-50	Handrail Assembly	1	21	608-27	Fuel Hose, 98"	1
2	108-03	Lockwasher, Split Ring 1/4"	10	22	125-64	Fuel Filter, G 81-4	1
3	103-63	PHMS, PHIL 1/4-20 x 1" Zc.	4	23	100-12	Clamp, Gear 2.25" HF36	2
4	608-39	Back Pad Assembly	1	24	125-94	Hose, Filler	1
5	608-43	Seat, Bench	1	25	126-47	Fuel Neck Assembly	1
6	608-30	Angle, Left	1	26	126-46	Cap, Fuel	1
7	608-31	Angle, Right	1	27	126-77	Hose, Vent 93" 6x6	1
9	103-08	HHCS, 1/4-20 x 1.00" Zinc	6	28	126-50	Male Connector, 1/4"	1
13	804-17	Frame Assembly, Seat	1	29	126-94	Clamp, Nylon Wire, 1/4"ID	4
16	120-04	Washer, .195IDx.500Dx.08Z	2	31	117-10	Locknut, Nylon #10-24 Zinc	14
17	608-32	Tool Box	1	32	126-62	Clamp, Gear 1/4" 2-Ear #0507	1
18	608-28	Pickup Assembly, Fuel (See Ref. 19)	1	33	126-93	Clamp, Nylon Wire, 1/2" ID	2
19	608-24	Tank, Fuel 32 litre (incl. Ref. 18)	1	35	120-09	Rivet, 3/16 x 1	6
20	100-70	Clamp, Gear 1/2" HF4	4	36	120-13	Rivet, #U48151D Dome 0619	2
				37	702-06	Foam Cushion	7
				38	117-54	Locking PAL Nut, 1/2-20 Zc	1
				39	112-07	RHMS, 10-24 x 1.25 Zinc	14
				40	108-42	Washer, .062x7/32x1.00 Zc	14
				43	117-27	Locknut, Nylon 1/4-20 Zinc	2

9.0 Electrical System



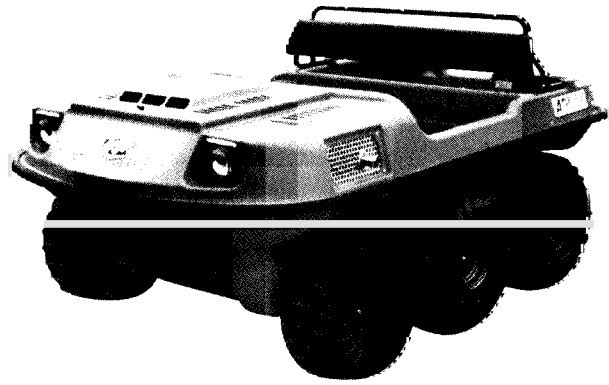
9.0 Electrical System

Ref	Part No.	Description	Qty	Ref	Part No.	Description	Qty
1	100-39A	Key	1	41	613-26	Power Cable	1
1a	126-17	Ignition Switch, incl. Ref 1	1	42	613-58	Ground Wire	1
2	100-62	Switch, Light	1	43	103-72	Screw, IHWH T/C Slot 1/4-20 x 3/4"	2
3	613-55	Main Wire Harness, incl. Fuse Holder	1	44	120-15	Rivet, Blind SD45 BS	2
4	126-76	Knob, Light	1	46	118-48	Heat Shrink, 2 x 1/2 (opt.)	1
5	100-36	Starter Relay #SRB 325	1	47	118-02	Terminal, Male-#76-1251-88	1
6	100-25	Battery, P-22NF245TL	1	1			
8	604-52	Battery Retaining Bracket	1	49	118-30	Terminal, Eye - #10	1
9	117-21	Locknut, Nylon 5/16-18 Zinc	2	51	613-45	Terminal Insulator (6 ga.)	1
10	100-64	Tie Rap, 5.5" - Black	10	52	613-46	Terminal Insulator (2 ga.)	1
11	103-48	Pan HD PHIL T/S #10x5/8 AB Zinc	1	53	702-06	Foam Cushion	1
12	126-93	Clamp, Nylon Wire -1/2" ID	12	54	126-83	Clip, Hose 5/16 I.D. #C-950PC	2
13	108-57	Washer, 3/4" ID, Tooth Lock	1	55	118-49	Fuse, 15 Amp, 2-prong (AT015)	4
14	126-94	Clamp, Nylon Wire - 1/4" ID	1	58	117-10	Locknut, Nylon #10-24 Zinc	2
17	613-18	Ground Wire	1	59	613-33	Harness, Regulator	1
25	613-37	Ground Terminal Strip	1	61	103-25	PHMS, #10-24x.750 Zinc	2
30	613-38	Oil Monitor Wires (opt.)	1	62	117-20	Nut, Fin. Hex 1/4-20 Zinc	1
31	632-15	Hourmeter, #56548-10 (#876EM) (opt.)	1	63	117-03	Nut, Fin. Hex 5/16-18 Zinc	1
32	633-10	Voltmeter, #07583-15 (#830EM) (opt.)	1	64	112-04	HHCS, 1/4-20x3/4" GR2 Zc	1
33	634-11	Oil Temp. Gauge #07556-88 (#828EM) (opt.)	1	65	112-01	HHCS, 5/16-18x.750 GR5Zc	1
34	634-12	Oil Temp. Sender #02024-00 DAH (opt.)	1	66	108-08	Washer, 1/4" SAE Zinc	1
35	52.099.06	Oil Pressure Switch, 6 psi (opt.) (Kohler #)	1	67	108-24	Washer, 5/16" SAE Zinc	1
36	634-08	Engine Oil Pressure Light (opt.)	1	68	100-32	Headlamp	2
37	634-10	Light Kit, #06215-00 5/8" dia., see Ref. 32,33 (opt)	2	72	118-51	Fuse, 30A 2-prong (AT030)	1
39	613-49	Cable Starter	1				
40	108-05	Lockwasher, 5/16 Zinc	2				

ARGO Products Manufactured by:

Ontario Drive & Gear Limited
P.O. Box 280, **Bleams Road**
New Hamburg, Ontario
CANADA NOB 2G0
Phone: (519) 662-2840
Fax: (519) 662-2421

ODG *Dedicated to quality and performance*



ARGO

VANGUARD PARTS MANUAL

Model No. V694-36
From Serial #S7764

Foreword

ODG has prepared this parts manual for the **6 VANGUARD** Model to assist both qualified mechanics and vehicle owners in ordering correct, quality replacement **ARGO** parts.

Proper and regular service, and replacing old, worn or broken parts with the correct **ARGO** replacement parts, are both essential to prolonging the life of the **ARGO**. Please refer to this parts manual before ordering any replacement part.

All information contained in this **VANGUARD** Parts Manual is based on the latest product specification available at time of printing. If your **6 VANGUARD** differs from the specifications contained in this manual, **contact Ontario Drive & Gear Limited for information.**

ODG reserves the right to alter specifications on the **VANGUARD** model at any time, without obligation or prior notification.

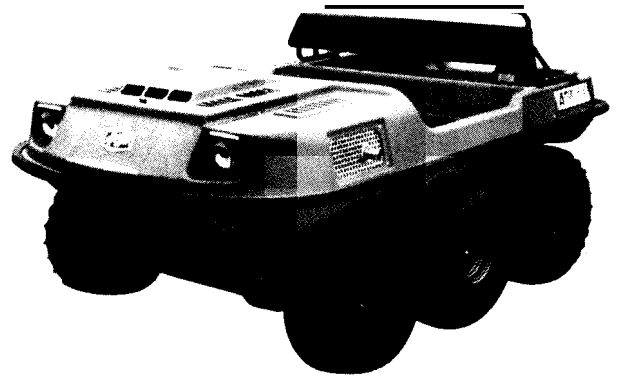
Reproduction of the **VANGUARD Parts Manual No. 694-36**, in whole or in part, is prohibited without prior written permission from **Ontario Drive & Gear Limited.**

Model Identification

6 VANGUARD - Model No. V694-36

Explanation of Parts Manual Format

- | | |
|--------------------|--|
| Ref | - Reference Number between Assembly Diagram and Component Parts List |
| Part No. | - Argo replacement part number for identification and re-ordering |
| Description | - Part Description for identification and re-ordering |
| Qty | - Indicates the quantity of a part used in an Assembly |

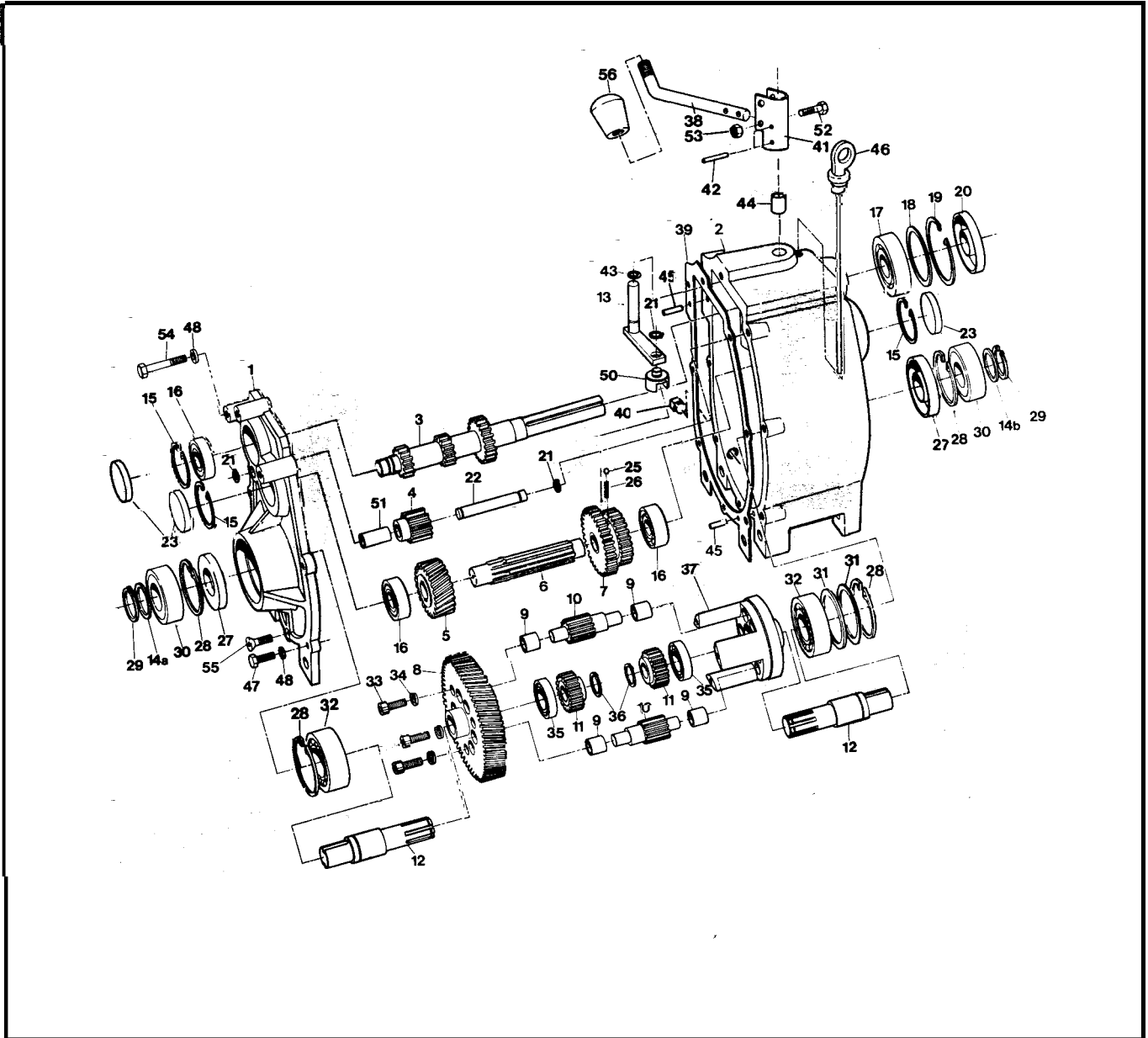


Using the Parts Manual

- 1 Find the major vehicle assembly in the Table of Contents on this page, and turn to that section.
2. Locate the part in the illustration that you wish to order.
3. Refer to the parts list in that section.
4. Find the correct part number (Part No.), part description (Description) and correct quantity (Qty).
5. Use only this information to order ARGO replacement parts. DO NOT attempt to order a replacement part by Ref number or Page number.

Table of Contents

Foreword.....	i
Model Identification.....	i
Using the Parts Manual.....	ii
1.0 Transmission.....	1
2.0 Intake and Exhaust System.....	3
3.0 Clutch System.....	3
4.0 Power Pack Assembly	5
5.0 Brake System.....	7
6.0 Vehicle Body & Firewall.....	9
7.0 Frame & Drive System.....	11
8.0 Fuel System & Seat Assembly	13
9.0 Electrical System.....	15



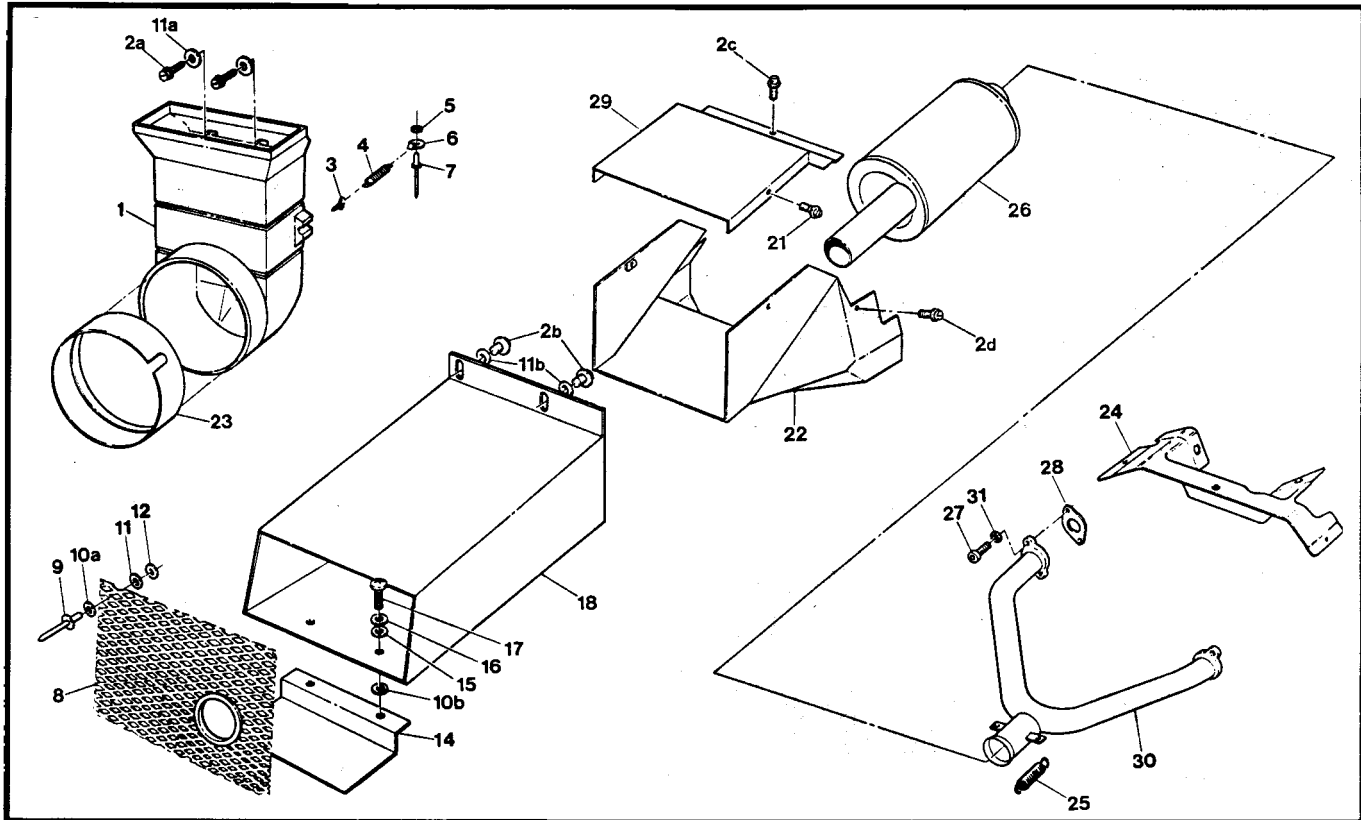
Vanguard Parts Manual

1.0 Transmission

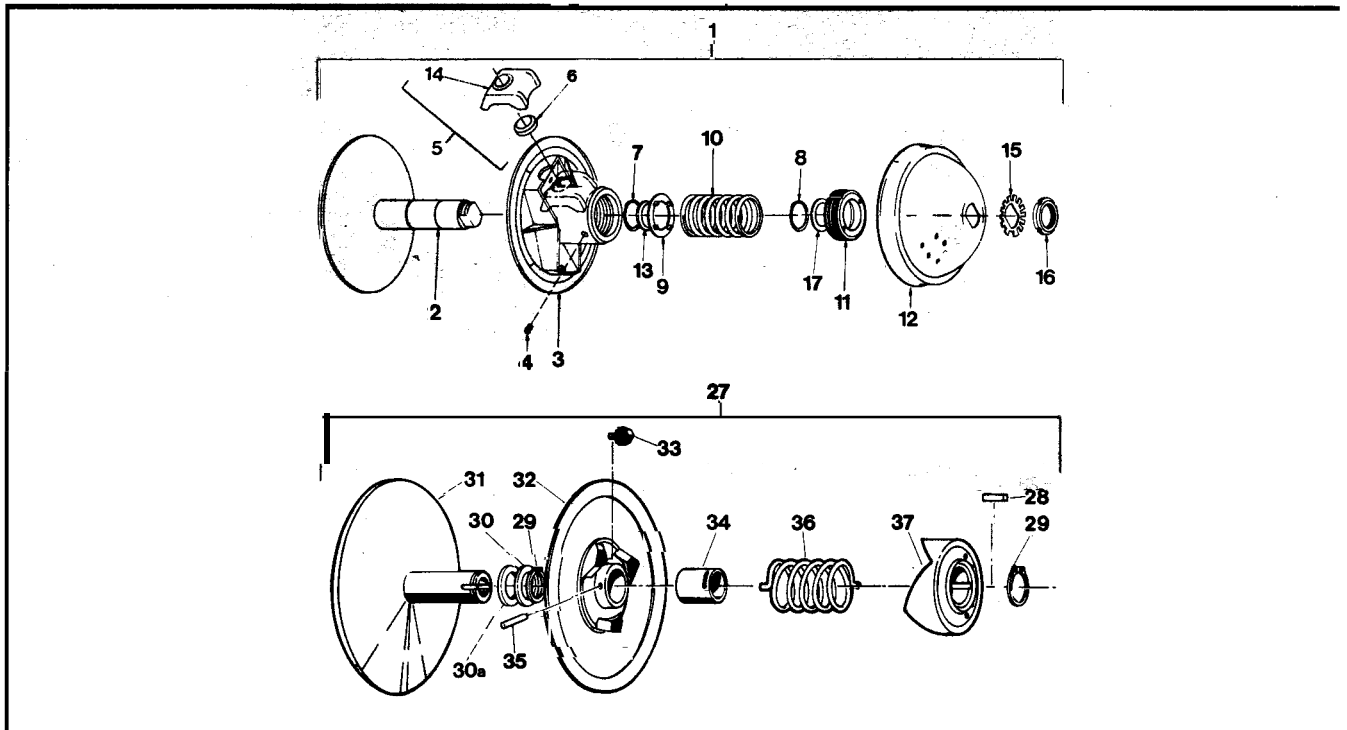
Qty	Part No.	Description	Qty	Ref	Part No.	Description	Qty
	10-17HU	Transmission Asm - HU , does not include Refs 38, 52, 53 & 56		31	114-01	Washer, Shim .020x2.25x2.8 1	2
1	34-68	Cover, Transmission	1	32	101-03	Bearing, Ball 6207-C 3	2
2	34-99	Housing, Transmission	1	33	103-04	SHCS, 5/16-18 x 1.00 PL	3
3	34-21	Shaft, Input - 13/ 21 T	1	34	108-02	Lockwasher, Hi-Collar 5/16, PL	3
4	34-16A	Gear, Idler 13T, incl. bushing incl. Ref. 51	1	35	101-15	Bearing, Ball 6005-C 3	2
5	34-96	Gear, Helical - 26T	1	36	107-04	Retaining Ring N1400-98	2
6	34-94	Shaft, Splined	1	37	34-08	Cage	1
7	34-91	Gear, Double - 26/33 T	1	38	610-67	Shift Lever Rod	1
8	34-43	Gear Plate - 71T	1	39	34-47	Gasket, Cover - 1/64" Thk	1
9	105-03	Bushing, Oilite -AA650	12	40	103-02	Plug, Magnetic 3/8- 18NPT Sq. Hd	1
10	34-1:	Gear, Planet -12 T	6	41	34-86	Holder, Shift Lever	1
11	34-14	Gear, Sun - 21 T	2	42	111-01	Pin, Spirol 5/32 x 1.00	2
12	34-81	Shaft, Output	2	43	113-01	O-Ring 012-7147	1
13	34-6:	Shifter Asm	1	44	105-02	Bushing, Oilite - AA628	1
14a	114-04	Washer, Shim .040 Thk	1	45	104-03	Pin, Dowel 1/4" x 7/8" long	2
14b	114-01	Washer, Shim .020 Thk	1	46	34-77	Dipstick, with Breather	1
15	106-0	Retaining Ring #5000-187	3	47	103-06	HHCS 5/16-18x1.00 GR5 Zinc	4
16	101-0:	Bearing, Ball 6204Z-C 3	3	48	108-05	Lockwasher 5/16 Zinc	7
17	101-1:	Bearing, Ball 6206-C3	1	50	34-63	Shift Yoke	1
18	114-0:	Washer, Shim 2.062	1	51	105-05	Bushing, Oilite - AA650-3 in Ref. 4	1
19	106-0:	Retaining Ring N1300-244	1	53	117-27	HHCS 1/4-20x1.25 GR5 Zinc	1
20	102-0:	Seal, Oil WBS 30x62x10 NB D/Lip	1	54	103-84	Locknut, Nylon 1/4-20 Zinc GR5 Zinc	3
21	107-0:	Retaining Ring N1400-50	3	55	103-95	FHSC 5/16-18x1.0 GR8 Zinc	1
22	34-11	Pin, Dowel 1/2 x 3.50	1	56	126-38	Knob, Shift	1
23	31-0:	Plug plate	3				
25	109-0:	Ball, Steel 6mm 62-67 Rc	1				
26	34-3:	Spring, Compression - 7/32 x .50	1				
27	102-0:	Seal, Oil WBS 30x72x10 NB D/Lip	2				
28	106-0:	Retaining Ring #5000-28 1	4				
29	107-0:	Retaining Ring N1400-118	2				
30	101-0:	Bearing, Ball 6306-2NSL C3	2				

2.0 Intake and Exhaust System

Vanguard Parts Manual



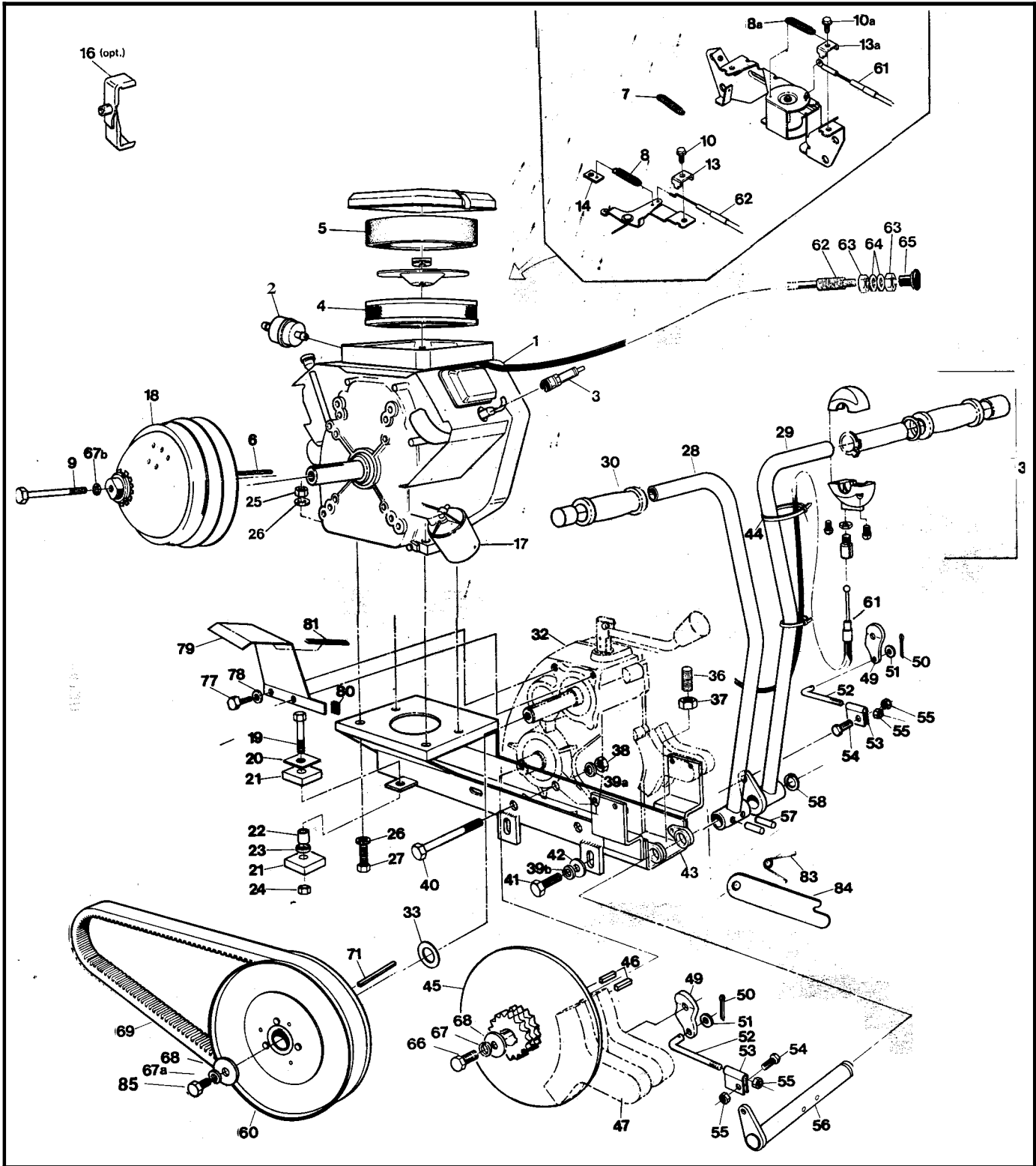
3.0 Clutch System



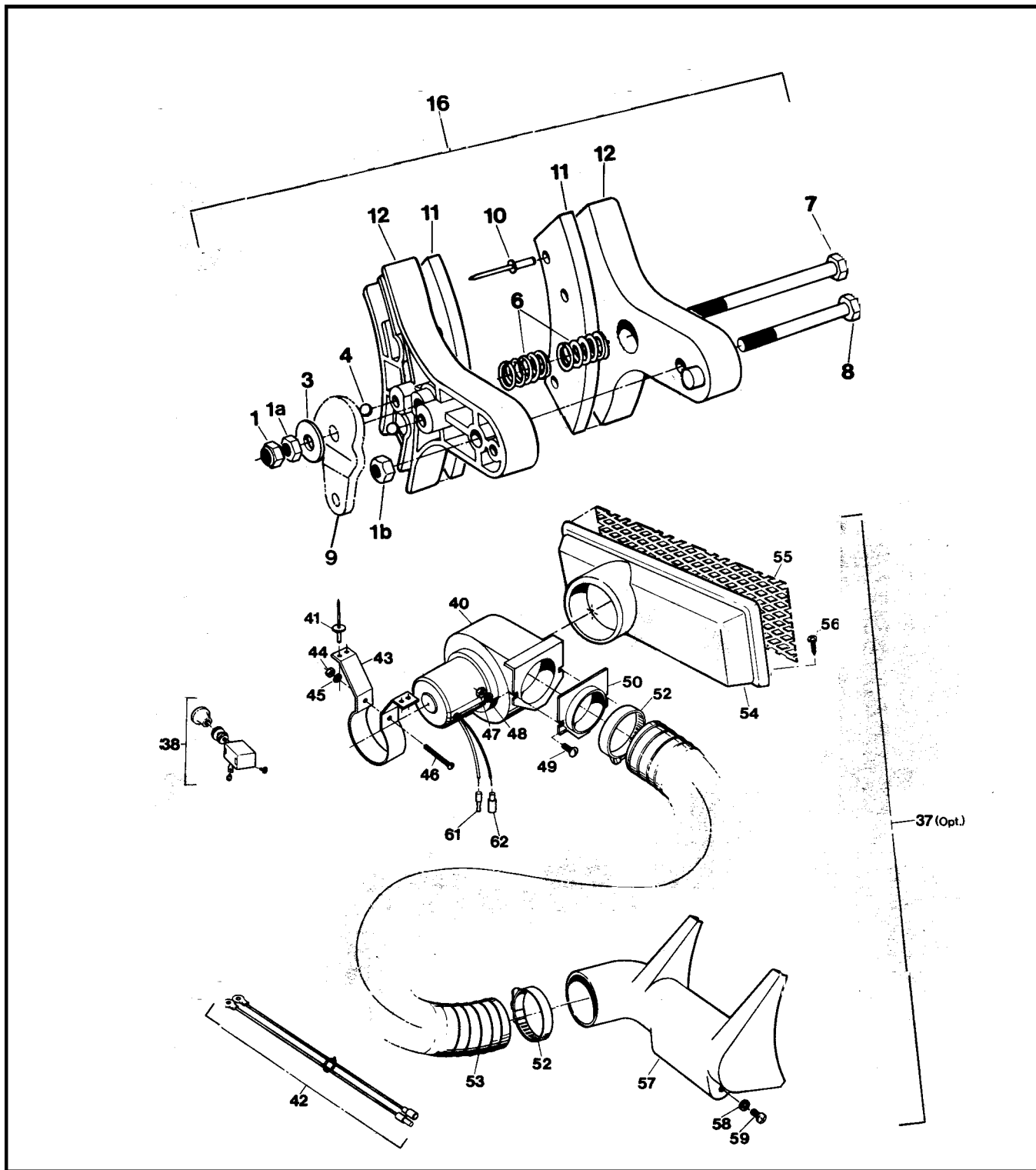
Ref	Part No.	Description	Qty	Ref	Part No.	Description	Qty
1	603-81	Duct, Intake	1	15	125-58	Washer, Fibre - W-77F	2
2a	103-72	Screw, IHWH T/C Slot 1/4-20x3/4	2	16	108-11	Lockwasher 3/16 Zinc	2
2b	103-72		2	17	103-25	PHMS 10-24x.750 Zinc	2
2c	103-72		1	18	707-24	Duct, Exhaust	1
2d	103-72		2	21	103-11	Screw, IHWH Slot 1/4-20x.50 ZN	2
3	103-27	Screw Eye B6, Zinc	1	22	707-20	Duct - Engine Exhaust Asm.	1
4	126-01	Spring, Extension - 2.75"	1	23	603-82	Seal	1
5	120-19	Washer .030x.147x5/16 ZN	1	24	607-94	Cover, Air Guide #807661	1
6	126-02	Hook , Molly	1	25	126-57	Spring, Exhaust	2
7	120-01	Rivet, Aluminum AD 48 BS	1	26	707-10	Muffler, Vanguard	1
8	707-30	Screen Asm, Exhaust	1	27	112-30	SHCS, M8x1.25x20.0 Zinc	4
9	120-09	Rivet 3/16x1	4	28	805024	Gasket	2
10a	125-59	Washer, Fibre - .062x.25x.50	4	29	707-23	Cover, Exhaust Duct	1
10b	125-59		2	30	707-00	Manifold, Exhaust-Vanguan	1
11	108-08	Washer, 1/4 SAE Zinc	4	31	108-02	Lockwasher, Hi-Collar 5/16, PL	4
11a	108-08		2				
11b	108-08		2				
12	120-05	Washer, .195x.50x.040 Zinc	4				
14	607-81	Bracket, Exhaust Duct	1				

3.0 Clutch System

Ref	Part No.	Description	Qty	Ref	Part No.	Description	Qty
1	127-37	Clutch, Driver, keyed incl. Refs 2 to 17,PODB0004	1	27	126-24	Clutch, Driven Model "B" SODB0001	1
2	V01L411F	Pulley, Half - Fixed	1			incl. Refs 28 to 37	
3	V021F	Pulley, Half - Sliding	1	28	ASK-5	Key 1/4x1/4x3/4	1
4	V046	Lock Screw (use Loctite 242)	1	29	ASR-6	Retaining Ring N1400-150	2
5	V05BMR	Block + 200g Lead Slug Asn -200	3	30	ASA-1	Spacer .050" Thick	as req
6	X-82-200	Slug, Lead 200 g	3	30a	ASA-1-S	Spacer .025" Thick	as req
7	V08	Retaining Ring D1400-350	1				
8	V08C	Retaining Ring N1408-137	1	31	AFK25.4- 250OD01	Pulley, Half - Fixed	1
9	V09	Spring Guide Plate	1	32	CMC-2- 250OD01	Pulley, Half - Sliding incl. Refs. 34 and 35	1
10	V10-48- 108-18	Spring, Blue	1				
11	V111	Threaded Cap	1	33	ANS-2-1	Shoe, Cam	3
12	V1203B	Cap, Type "B"	1	34	AMB-2	Bushing, Bronze	1
13	X-35	Spacer	as req	35	CCP-2-156	Pin, Spirol	1
14	V05BMR	Block, Red	3				
15	V15	Lockwasher	1	36	ACS-3-188	Spring, Blue	1
16	V16	Locknut	1	37	AFC-4- C3D4	cam	1
17	X-35	Spacer	as req				



Ref	Part No.	Description	Qty	Ref	Part No.	Description	Qty
1	126-52	Engine - Vanguard V-Twin 16 HP incl. refs 2-15, 17	1	41	103-21	HHCS 1/2-20x1.50 GR5 ZN	4
2		See Section 8.0 Fuel System & Seat Assembly		42	108-09	Washer 1/2 Zinc	4
3	126-74	Spark Plug #3926	2	43	611-43	Frame-Power Pack Vanguard	1
4	394018	Cartridge - Air Cleaner (BS#)	1	44	100-64	Tie Wrap - 5.5" - Black	6
5	271271	Element - Air Cleaner (BS#)	1	45	610-24H	Brake Disc-#40-2x15T w/hole	2
6	110-03	Key 1/4x3/16x2.375 RC46	1	46	110-14	Key 1/4x1/4x1.25	4
7	127-31	Spring, Governor	1	47		See Section 5.0 Brake System	
8	125-88	Spring, Return	1	49	612-88	Brake Cam	2
8a	125-88	Spring, Return	1	50	100-03	Pin, Cotter 3/32x.750 Zinc	2
9	112-28	HHCS, 3/8-24x4.5 GR5 Zinc	1	51	108-24	Washer 5/16 SAE Zinc	2
10	805169	Screw-Hex Head (BS #)	1	52	612-21	Brake Adjusting Rod	2
10a	805169	Screw-Hex Head (BS #)	1	53	612-20	Steering Rod Clamp	2
13	805170	Clamp - Casing (BS#)	1	54	103-46	HHCS 5/16-24x1.00 Zinc	2
13a	805170	Clamp - Casing (BS#)	1	55	117-46	Locknut, 2-way 5/16-24 Zinc	4
14	601-86	Clip, Retainer	1	56	612-81	Steering Shaft Asm.	1
16	658-13	Wrench, Oil Filter	1	57	111-04	Pin, Spirol 5/16x1.50	2
17	126-95	Filter, Oil	1	58	107-01	Retaining Ring, N1400-87	1
18		See Section 3.0 Clutch		60		See Section 3.0 Clutch System	
19	103-19	HHCS, 3/8-24x2.50 GR5 ZN	2	61	612-89	Cable Asm, Throttle - Van.	1
20	610-42	Plate	2	62	601-98	Cable Asm, Choke - Van.	1
21	125-65	Rubber Hinge	4			incl. 63	
22	610-36	Bushing, Motor Mount	2	63		Jam Nut, 5/16-24, Part of 62	2
23	202-24	Washer, Rubber	2	64	108-24	Washer 5/16 SAE Zinc	2
24	117-24	Locknut, Nylon 3/8-24 Zinc	2	65	126-75	Knob, Choke - Black	1
25	117-21	Locknut, Nylon 5/16-18 Zinc	4	66	103-18	HHCS 3/8-24x1.25 GR5Zinc	2
26	108-24	Washer 5/16 SAE Zinc	8	67	108-06	Lockwasher, 3/8 S/R, Zinc	2
27	112-27	HHCS 5/16-18x1.75 GR5ZN	4	67a	108-06	Lockwasher, 3/8 S/R, Zinc	1
28	612-82	Lever, Steering LH	1	67b	108-06	Lockwasher, 3/8 S/R, Zinc	1
29	612-83	Lever, Steering RH	1	68	108-18	Washer 13/32x1.375x11GA	3
30	127-23	Grips, Foam	1	69	125-56	Drive Belt	1
31	100-57	Throttle Twist Grip Set	1	71	110-09	Key 1/4x1/4x3.0	1
32		See Section 1.0 Transmission		77	103-17	HHCS 3/8-16x1.00 GR5Zinc	2
33	108-36	Washer .06x1.00x1.375 Zinc	as req	78	108-26	Washer 3/8 Zinc	2
36	103-87	SHSS 1/2-20x2.00 Zinc	2	79	603-29	Guard, Belt Protect	1
37	117-45	Nut, Jam 1/2-20 Zinc	2	80	601-92	Vinyl Trim, 1.5"	1
38	117-06	Nut, Fin Hex 1/2-13 Zinc	2	81	601-93	Vinyl Trim - 4.25"	1
39a	108-07	Lockwasher 1/2 Zinc	2	83	126-87	Spring, Parking Brake	1
39b	108-07	Lockwasher 1/2 Zinc	4	84	612-80	Holding Brake Lever	1
40	103-20	HHCS 1/2-13x6.50 GR5Zinc	2	85	103-34	HHCS 3/8-16x1.25 GR5Zinc	1

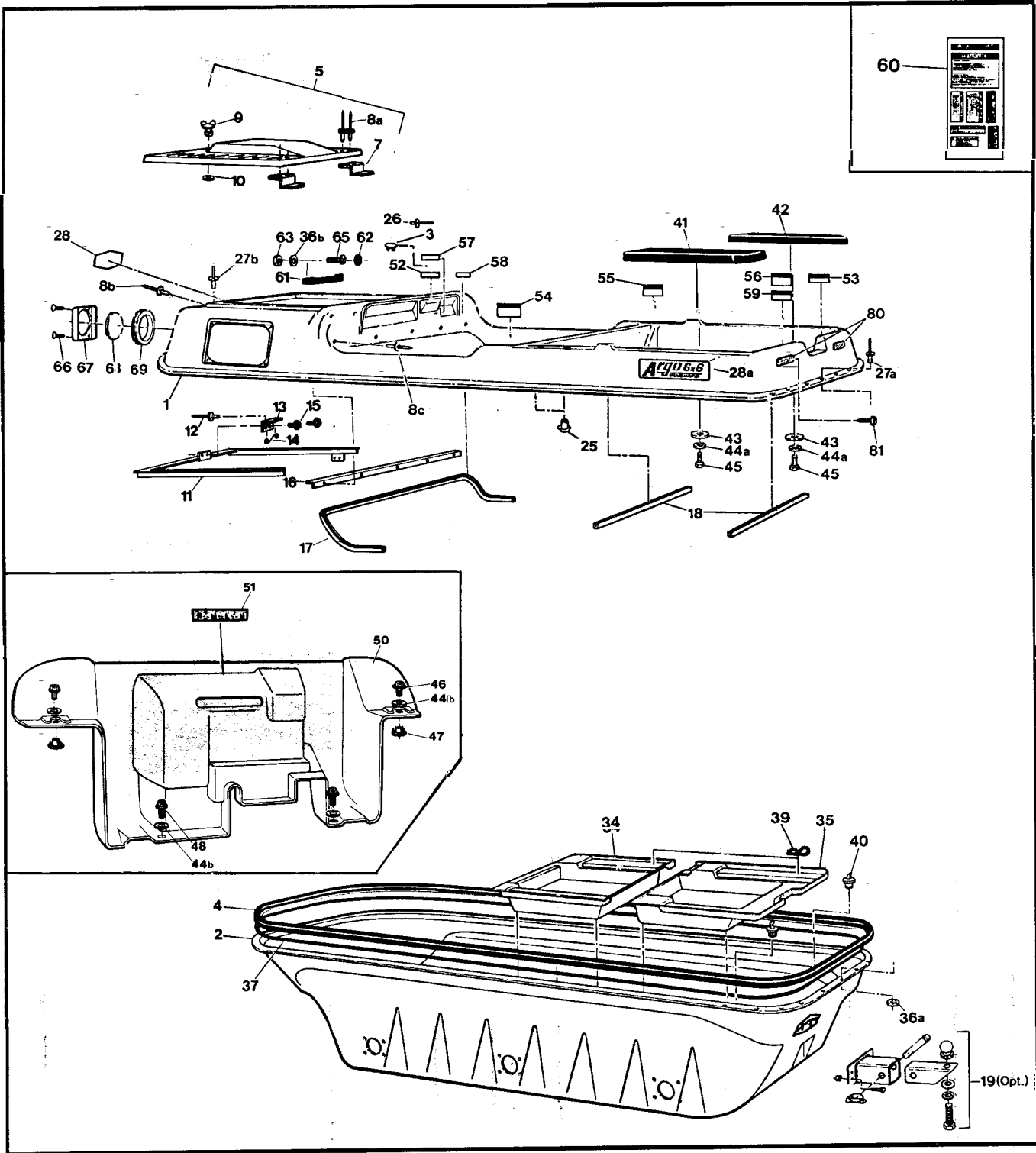


Vanguard Parts Manual

5.0 Brake System

Ref	Part No.	Description	Qty
1	117-46	Locknut, 2-way 5/16-24 ZN	1
1a	117-46	Locknut, 2-way 5/16-24 ZN	1
1b	117-46	Locknut, 2-way 5/16-24 ZN	1
3	108-12	Washer, 1 ODx1 1/32IDx 16GA Zinc	1
4	109-02	Ball, Steel 1/4 Chromesteel	2
6	100-10	Spring, Compression	2
7	103-16	HHCS 5/16-24x3.75 GR8ZN	1
8	103-29	HHCS 5/16-24x2.75 GR8ZN	1
9		See Section 4.0-Power Pack Assembly	
10	120-11	Rivet, Blind SD 56 BS	4
11	100-56	Brake Pad, Set of 2	1
12	100-54	Caliper, Brake	2
16	100-72a	Brake Assembly (incl. Refs. 1 to 8, 10 to 12)	1

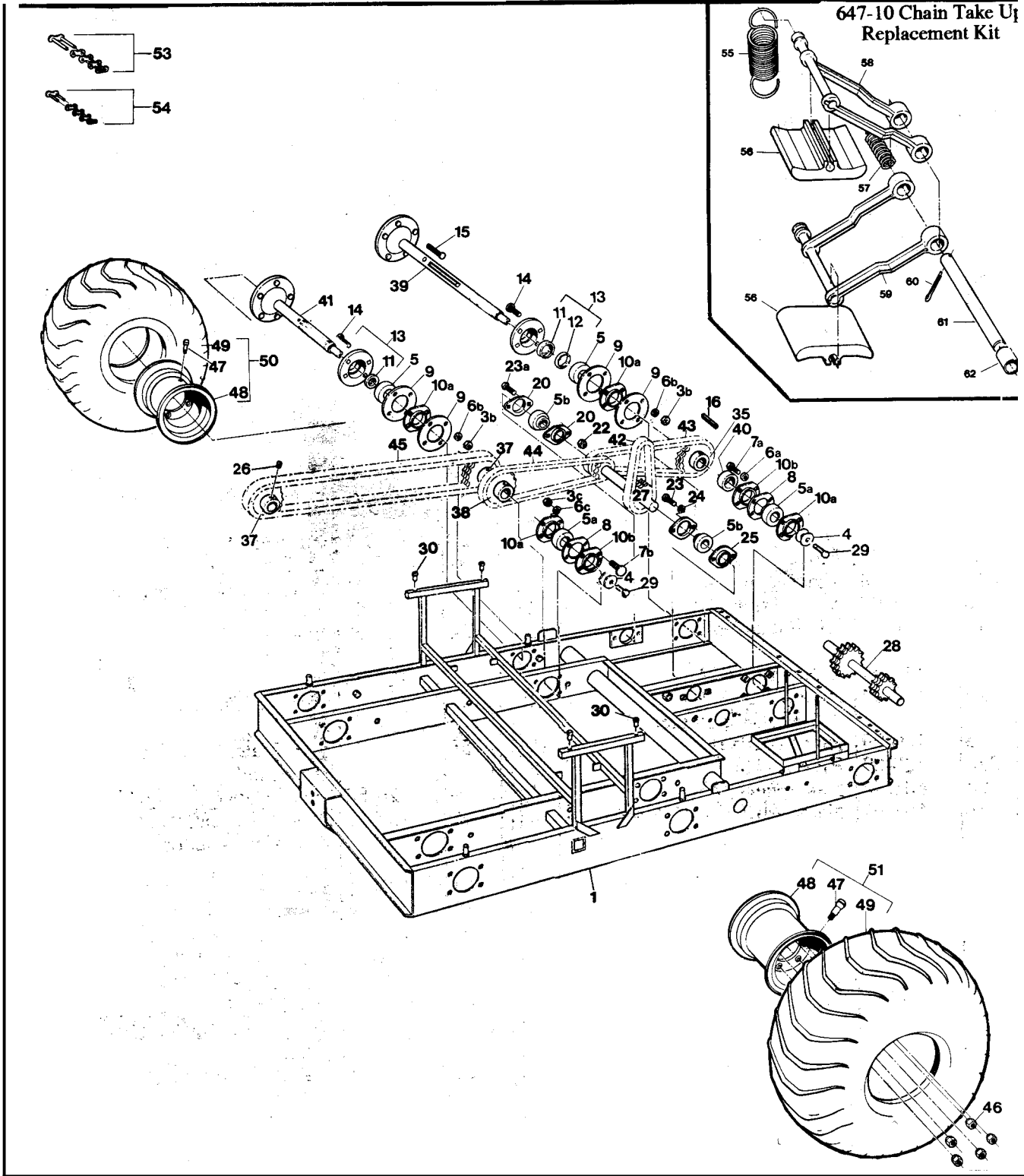
Ref	Part No.	Description	Qty
37	668-02	Brake Cooling Kit-Vanguard (incl. Refs 38 to 62)	1
38	100-62	Switch, Light	1
	125-92	Adpt. & Mounting Kit (incl. Refs 43 to 50)	
40	125-91	Blower Fan	1
41	120-13	Rivet #U48151D Dome 0619	4
42	613-05	Wire Harness	1
43		Mounting Bracket	1
44		Nut, #10-32	1
45	See	Lockwasher, 3/16"	1
46	125-92	Screw, #10-32 x 2"	1
47	above	Nut, 1/4-20	2
48		Lockwasher, 1/4"	2
49		Screw, 1/4-20 x 5/8"	2
50		Adaptor, 3" dia.	1
52	125-35	Clamp, Gear 3.50" HF-52	2
53	126-37	Hose, Intake 3" dia. x 36"	1
54	601-89	Intake Flange (specify clr)	1
55	126-61	Intake Screen	1
56	103-48	Pan HD Phil T/S #10x5/8 AB Zinc	4
57	126-36	Brake Cool Air Duct	1
58	108-56	Lockwasher 1/4 Ext. Tooth Zinc	2
59	103-96	PHMS, Phil 1/4-20x5/8 Zinc	2
61	118-02	Terminal, Male-#76-1251	1
62	118-03	Terminal, Female - #76-1289	1



Vanguard Parts Manual

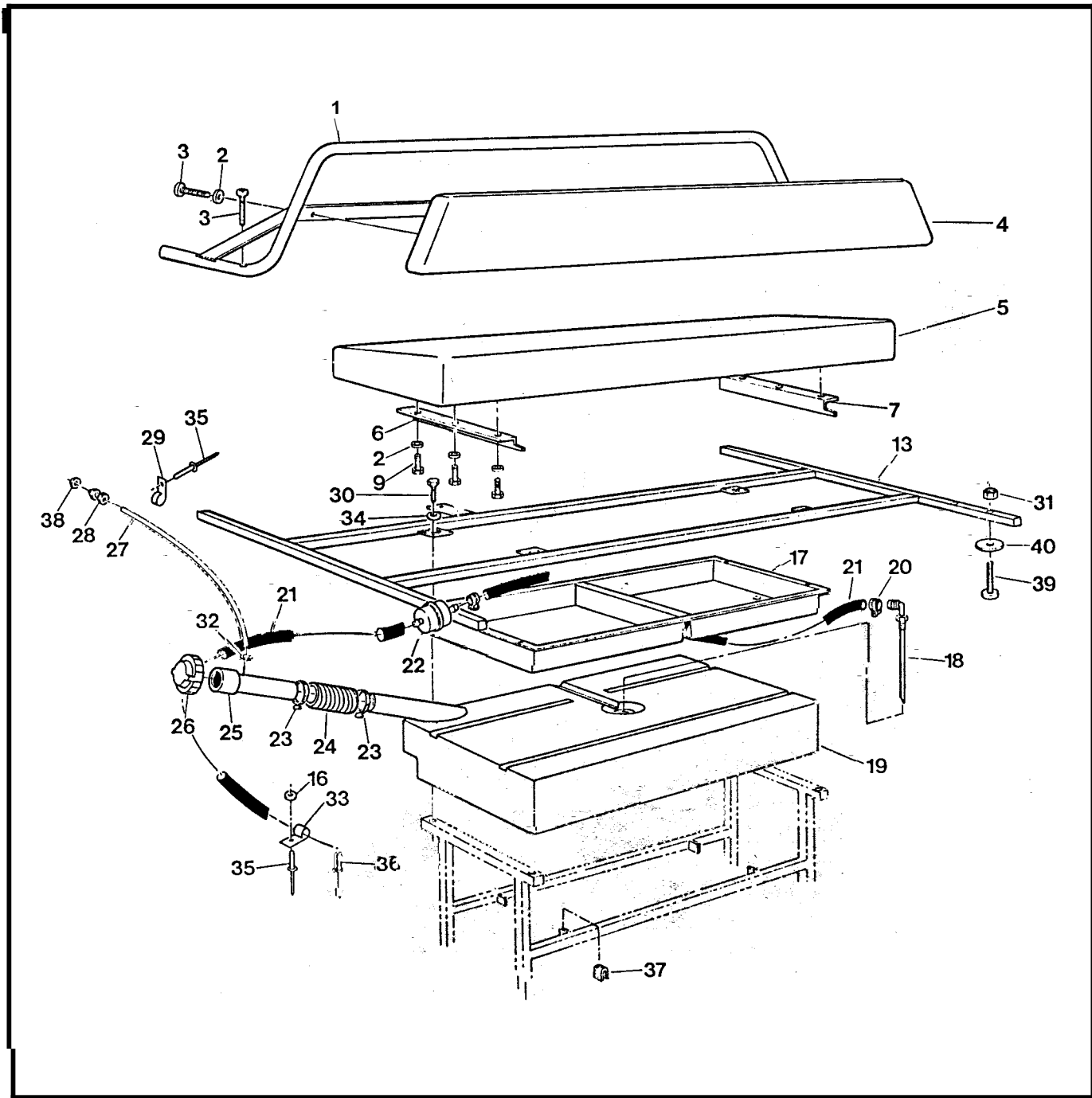
6.0 Vehicle Body & Firewall

Ref	Part No.	Description	Qty	Ref	Part No.	Description	Qty
1	601-99	Body + Hood, Upper - Replacement, specify colour (incl. Ref. 5, 11, 12, 13, 14, 15)	1	34	603-02	Floor Pan, Front 6x6 specify colour	1
2	603-42	Body, Lower - 6x6, specify colour	1	35	603-03	Floor Pan, Rear 6x6 specify colour	1
3	127-28	Plug, Nylon - Black	1	36a	120-04	Washer, .195IDx.50ODx.08 Zc	46
4	601-05	Bumper, Vinyl - 6x6	1	36b	120-05	Washer, .195x.50x.04 Zc	2
5	602-35	Hood Assem. specify colour, (incl. 9 & 10)	1	37	126-60	Vinyl Strip 1/2"x1/4"x37.5'	1
7	602-28	Hinge Clip, Hood	2	39	100-16	Clip, Hitch Pin 1.625 Zinc	4
8a	120-13	Rivet #U48151D Dome	4	40	100-18	Plug, Drain 5/8" x 13/32"	2
8b	120-13	Rivet #U48151D Dome	15	41	601-03	Seat, Rear LH - 6x6	1
8c	120-13	Rivet #U48151D Dome	5	42	601-02	Seat, Rear RH - 6x6	1
9	126-10	Wing Stud	1	43	603-15	Washer, Plastic	2
10	126-09	Grommet, Alum. #GH-7	1	44a	108-08	Washer, 1/4 SAE Zinc	2
11	601-83	Hood Support Assembly	1	44b	108-08	Washer, 1/4 SAE Zinc	4
12	120-15	Rivet, Blind SD 45 BS	2	45	103-08	HHCS 1/4-20x1.00 Zinc	2
13	601-69	Spring Plate	1	46	103-11	Screw, IHWH Slot 1/4-20x.50 ZN	1
14	126-11	Spring	1	47	117-44	T-Nut, 1/4-20 PL	2
15	103-72	Screw, IHWH T/C Slot 1/4-20 x 3/4"	2	48	103-72	Screw, IHWH T/C Slot 1/4-20x3/4	2
16	601-24	Brace, Dash	1	50	609-31BL	Firewall, Vanguard	1
17	601-08	Vinyl Trim, 84"	1	51	126-65	Shifting Plate	1
18	601-09	Vinyl Trim, 28"	2	52	126-26	Steering Lever Plate & Winch	1
19	626-10	Hitch Kit (Opt.)	1	53	126-67	Floor Pan Plate	1
25	117-44	T-Nut 1/4-20 PL	4	54	126-68	Operation Plate	1
26	120-24	Rivet, Blind Alum. AD 34 ABS, all plates	24	55	126-69	Fuel Plate	1
27a	120-09	Rivet, 3/16x1	46	56	126-70	Vehicle Capacity Plate	1
27b	120-09	Rivet, 3/16x1	12	57		Vehicle ID Plate	1
28	601-44	Nameplate, "Argo"	1	58		U.S. Plate, Non-U.S. Argos only	1
28a	601-97	Nameplate, 6x6 Vanguard	2	59	126-80	Plate, Capacity - 6 whl.	1
				60	126-73	French Decals, inc. 51-58 available as set only	1
				61	125-41	Dash Handle, incl. 62	1
				62		Plug cap, avail. only with 61	2
				63	117-10	Locknut, Nylon #10-24 Zinc	2
				65	103-25	PHMS #10-24x3/4" Zinc	2
				66	103-24	OHPS T/S #6x1.00 Zinc	8
				67	601-21	Headlight Rim	2
				68		See Section 9.0 Electrical System	
				69	601-16	Headlight Molding	2
				80	127-01	Reflector, Red	2
				81	103-48	Pan HD PHIL T/S #10x5/8 AB Zinc	4



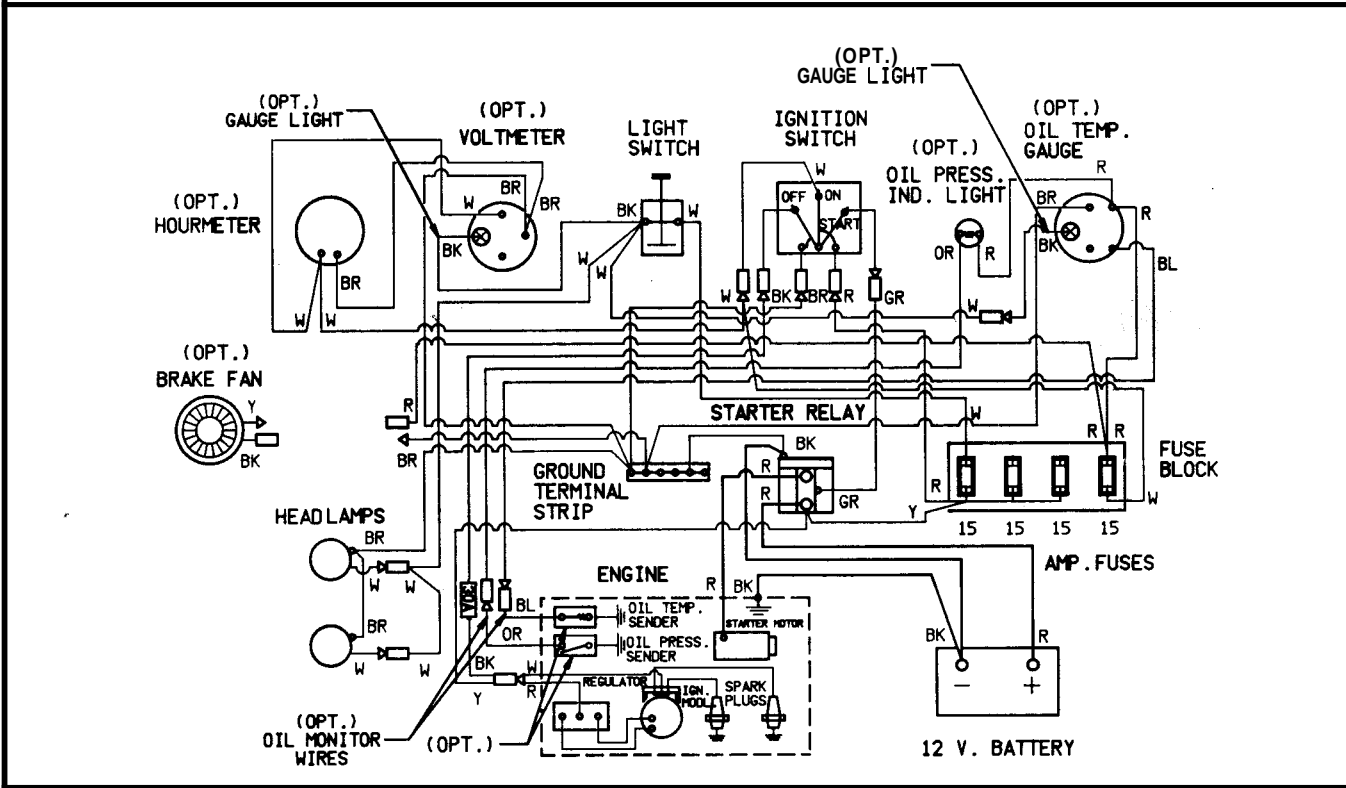
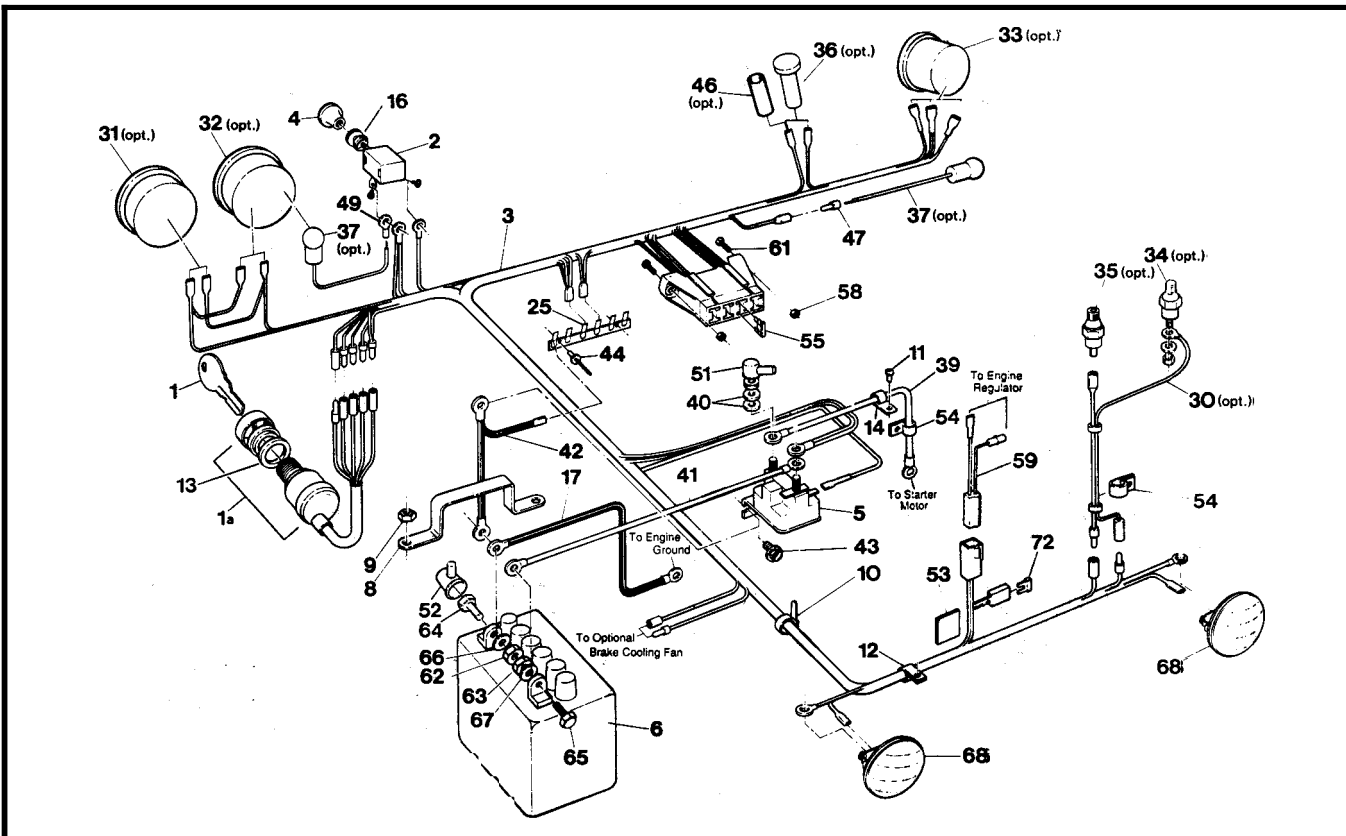
Ref	Part No.	Description	Qty
1	604-74	Frame Asm - 6x6 Van	1
3b	117-15	Nut, Fin Hex 3/8-16 Zinc	24
3c	117-15	Nut, Fin Hex 3/8-16 Zinc	16
4	108-46	Washer 13/32x1.375 Hi-Carb	12
5	101-35	Bearing, Ball UC206A-20	6
5a	101-41	Bearing, Ball UC206A-16	6
5b	101-30	Bearing, Ball 1.0 Setscrew	4
6a	108-06	Lockwasher, 3/8" S/R Zc	8
6b	108-06	Lockwasher, 3/8" S/R Zc	24
6c	108-06	Lockwasher, 3/8" S/R Zc	16
7a	103-17	HHCS 3/8-16x1.00 GR5 Zc	8
7b	103-88	C/Bolt 3/8-16x1.00 GR5 Zc	16
8	605-99	Gasket, Flange	6
9	605-89	Gasket, Outer Brg Flange	12
10a	605-63	Flange, Bearing - Outer	12
10b	101-20	Flange Assem., Bearing	6
11	102-07	Seal, Grease - 1.25	6
12	102-15	Seal, Oil CR#12379	6
13	605-97	Flange Assem., Outer (uses Ref. 11 & 12)	6
14	112-39	C. Bolt, 3/8-16x1.75" GR5 Zc	24
15	103-80	Stud, Wheel 7/16-20x1.125 #B271, (See Ref. 39 and 41)	5x6
16	110-13	Key 1/4 x 1/4 x 2.25	4
20	101-14	Flangette - 2 Hole - Trim 1"	4
22	117-21	Locknut, Nylon 5/16-18 Zinc	4
23	103-06	HHCS 5/16-18x1.00 GR5 Zc	4
23a	103-06	HHCS 5/16-18x1.00 GR5 Zc	4
24	108-05	Lockwasher 5/16 Zinc	4
25	101-12	Flangette - 2-Hole-1"PFL 205	4
26	112-03	SHSS 5/16-18x3/8 1/2 DOG,PL	6
27	605-93	Idler Asm - L 4x13T 2x28T	1
28	605-94	Idler Asm - R 4x13T 2x28T	1
29	112-31	HHCS 3/8-16x1.0 2B GR8 Zc	6
30	117-61	Insert, 1/4-20 Avdel	4

Ref	Part No.	Description	Qty
35	605-84	Sprocket Asm, Keyed-24T	2
37	810-29	Sprocket, M/R Axle - 19T	4
38	810-28	Sprocket, Front Axle - 24T	2
39	606-22	Axle Asm, Front - Keyed (incl. Ref 15)	2
40	101-34	Locking Collar #EC206-20	2
41	810-75	Axle Asm, Mid/Rear (incl. Ref 15)	4
42	603-24	Chain, Idler RC40-2x48P (incl. Ref 54)	2
43	603-19	Chain, RC50-2x44P-Frt. (incl. Ref 53)	2
44	603-20	Chain, RC50-2x70P-Mid. (incl. Ref 53)	2
45	603-21	Chain, RC50-2x96P-Rear (incl. Ref 53)	2
46	117-35	Nut, Wheel 7/16-20 Zinc	5x6
47	125-26	Valve, Tire (See Ref. 48)	6
48	125-15C	Rim, 8x7-5 Bolt c/w valve (incl. Ref 47)	6
49	126-96	Tire, Goodyear Runamuk 22x10-8	6
50	126-98C	Tire & Rim Assem. - LH (incl. Refs 48 & 49)	3
51	126-97C	Tire & Rim Assem. - RH (incl. Refs 48 & 49)	3
53	100-96	Con. Link, RC50-2 H.D.	1x6
54	100-97	Con. Link, RC40-2 H.D.	1x2
55	125-61	Spring, Tensioner	1x4
56	603-61	Slider Block	2x4
57	125-78	Spring, Spacer	1x4
58	603-77	Upr Chn Tensioner Arm	1x4
59	603-76	Lwr Chn Tensioner Arm	1x4
60	100-01	Pin, Cotter 1/8x1.5" Zinc	1x4
61	603-78	Pivot Pin	1x4
62	603-66	Spacer, .500 ID x .625 lg	1x4
.	647-10	Chain Take Up Replacement Kit (incl. Refs 55 thru 62 as shown)	4



Vanguard Parts Manual 8.0 Fuel System and Seat Assembly

Ref	Part No.		Qty	Ref	Part No.	Description	Qty
1	803-50	Handrail Assembly	1	21	608-42	Fuel Hose, 1 10	1
2	108-03	Lockwasher, Split Ring 1/4"	10	22	125-64	Fuel Filter, G 81-4	1
3	112-41	PHMS, PHIL 1/4-20x1.250Zc.	6	23	100-12	Clamp, Gear 2.25" HF36	2
4	608-39	Back Pad Assembly	1	24	125-94	Hose, Filler	1
5	608-43	Seat, Bench	1	25	126-47	Fuel Neck Assembly	1
6	608-30	Angle, Left	1	26	126-46	Cap, Fuel	1
7	608-31	Angle, Right	1	27	126-77	Hose, Vent 93" 6x6	1
9	103-08	HHCS, 1/4-20x 1.00" Zinc	6	28	126-50	Male Connector, 1/4"	1
13	804-17	Frame Assembly, Seat	1	29	126-94	Clamp, Nylon Wire, 1/4"ID	4
				30	112-04	HHCS 1/4-20x3/4 Gr 2 Zinc	4
16	120-04	Washer, .195IDx.500Dx.08Z	2	31	117-10	Locknut, Nylon #10-24 Zinc	12
17	608-32	Tool Box	1	32	126-62	Clamp, Gear 1/4" 2-Ear #0507	1
18	608-28	Pickup Assembly, Fuel (See Ref. 19)	1	33	126-93	Clamp, Nylon wire , 1/2" ID	2
19	608-24	Tank , Fuel 32 litre (incl. Ref. 18)	1	35	120-09	Rivet, 3/16 x 1	6
20	100-70	Clamp, Gear 1/2" HF4	4	36	120-13	Rivet, #U48151D Dome 0619	2
				37	702-06	Foam Cushion	7
				38	117-54	Locking PAL Nut, 1/2-20Zc	1
				39	112-07	RHMS, 10-24x 1.25 Zinc	12
				40	108-42	Washer, .062x7/32x1.00 Zc	12



Ref	Part No.	Description	Qty	Ref	Part No.	Description	Qty
1	100-39A	Key	1	41	613-26	Power Cable	1
1a	126-17	Ignition Switch, incl. Ref 1	1	42	613-58	Ground Wire	1
2	100-62	Switch, Light	1	43	103-72	Screw, IHWH T/C slot 1/4-20x 3/4"	2
3	613-55	Main Wire Harness, incl. Fuse Holder	1	44	120-15	Rivet, Blind SD45 BS	2
4	126-76	Knob , Light	1	46	118-48	Heat Shrink, 2 x 1/2 (opt.)	1
5	100-36	Starter Relay #SRB 325	1	47	118-02	Terminal, Male-#76-1251-88	1
6	100-25	Battery, P-22NF245TL	1	49	118-30	Terminal, Eye - #10	1
8	604-52	Battery Retaining Bracket	1	51	613-45	Terminal Insulator (6 ga.)	1
9	117-21	Locknut, Nylon 5/16-18 Zinc	2	52	613-46	Terminal Insulator (2 ga.)	1
10	100-64	Tie Rap, 5.5" - Black	10	53	702-06	Foam Cushion	1
11	103-48	Pan HD PHIL T/S #10x5/8 AB Zinc	1	54	126-83	Clip, Hose 5/16 I.D. #C-950PC	2
12	126-93	Clamp, Nylon Wire -1/2" ID	12	55	118-49	Fuse, 15 Amp, 2-prong (AT015)	4
13	108-57	Washer, 3/4" ID, Tooth Lock	1	58	117-10	Locknut, Nylon #10-24 Zinc	2
14	126-94	Clamp, Nylon Wire - 1/4" II	1	59	613-33	Harness, Regulator	1
16	108-55	Lockwasher, Ext. Tooth 7/16	1	61	103-25	PHMS, #10-24x.750 Zinc	2
17	613-18	Ground Wire	1	62	117-20	Nut, Fin. Hex 1/4-20 Zinc	1
25	613-37	Ground Terminal Strip	1	63	117-03	Nut, Fin. Hex 5/16-18 Zinc	1
30	613-38	Oil Monitor Wires (opt.)	1	64	112-04	HHCS, 1/4-20x3/4" GR2 Zc	1
31	632-15	Hourmeter, #56548- 10 (#876EM) (opt.)	1	65	112-01	HHCS, 5/16-18x.750 GR5Zc	1
32	633-10	Voltmeter, #07583-15 (#830EM) (opt.)	1	66	108-08	Washer, 1/4" SAE Zinc	1
33	634-11	Oil Temp. Gauge #07556-88 (#828EM) (opt.)	1	67	108-24	Washer, 5/16" SAE Zinc	1
34	634-12	Oil Temp. Sender #02024-0 (opt.)	1	68	100-32	Headlamp	2
35	52.099.06	Oil Pressure Switch, 6 psi (opt.) (Kohler #)	1	72	118-51	Fuse, 30A 2-prong (AT030)	1
36	634-08	Engine Oil Pressure Light (opt.)	1				
37	634-10	Light Kit, #06215-00 5/8" dia., see Ref. 32,33 (opt.)	2				
39	613-49	Cable Starter	1				
40	108-05	Lockwasher, 5/16 Zinc	2				

ARGO Products Manufactured by:

Ontario Drive & Gear Limited

P.O. Box 280, Bleams Road

New Hamburg, Ontario

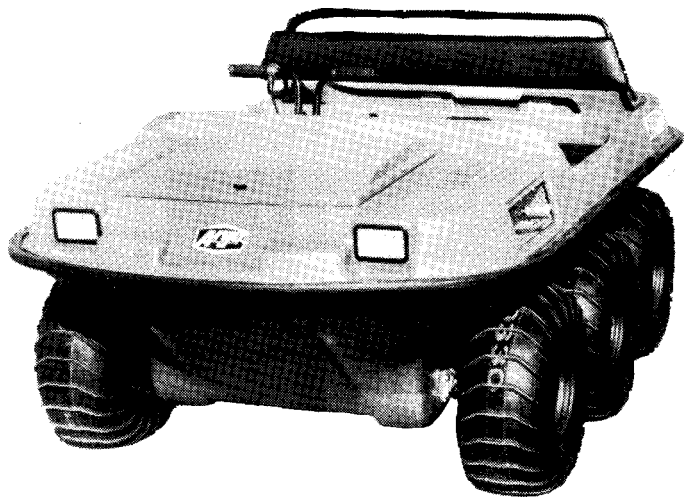
CANADA N0B 2G0

Phone: (519) 662-2840

Fax: (519) 662-2421

ODG *Dedicated to quality and performance*

Argo 6x6
VANGUARD



ARGO

VANGUARD PARTS MANUAL

Model No. V697-51
From Serial #S8131

Foreword

ODG has prepared this parts manual for the **VANGUARD** model to assist both qualified mechanics and vehicle owners in ordering correct, quality replacement **ARGO** parts.

Proper and regular service, and replacing old, worn or broken parts with the correct **ARGO** replacement parts, are both essential to prolonging the life of the **ARGO**. Please refer to this parts manual before ordering any replacement part.

All information contained in this **VANGUARD** Parts Manual is based on the latest product specification available at time of printing. If your **VANGUARD** differs from the specifications contained in this manual, **contact Ontario Drive & Gear Limited for information.**

ODG reserves the right to alter specifications on the **VANGUARD** model at any time, without obligation or prior notification.

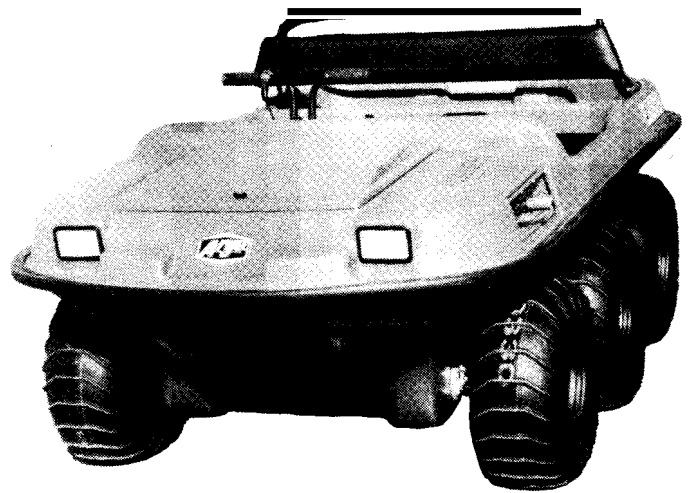
Reproduction of the **VANGUARD Parts Manual No. 697-51**, in whole or in part, is prohibited without prior written permission from **Ontario Drive & Gear Limited.**

Model Identification

VANGUARD - Model No. V697-51

Explanation of Parts Manual Format

- Reference Number between Assembly Diagram and Component Parts List
- Part No.** - Argo replacement part number for identification and re-ordering
- Description** - Part Description for identification and re-ordering
 - Indicates the quantity of a part used in an Assembly

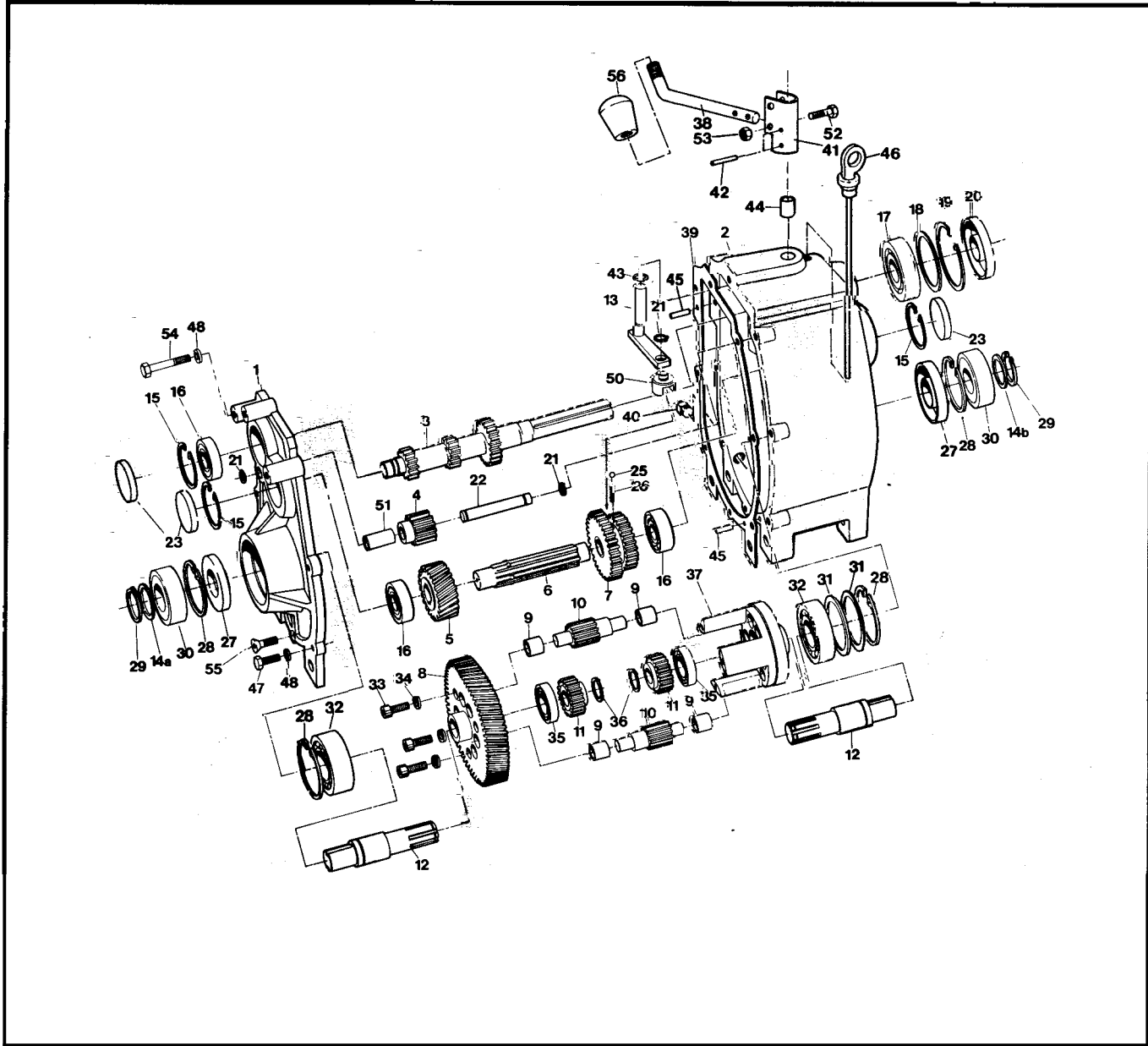


Using the Parts Manual

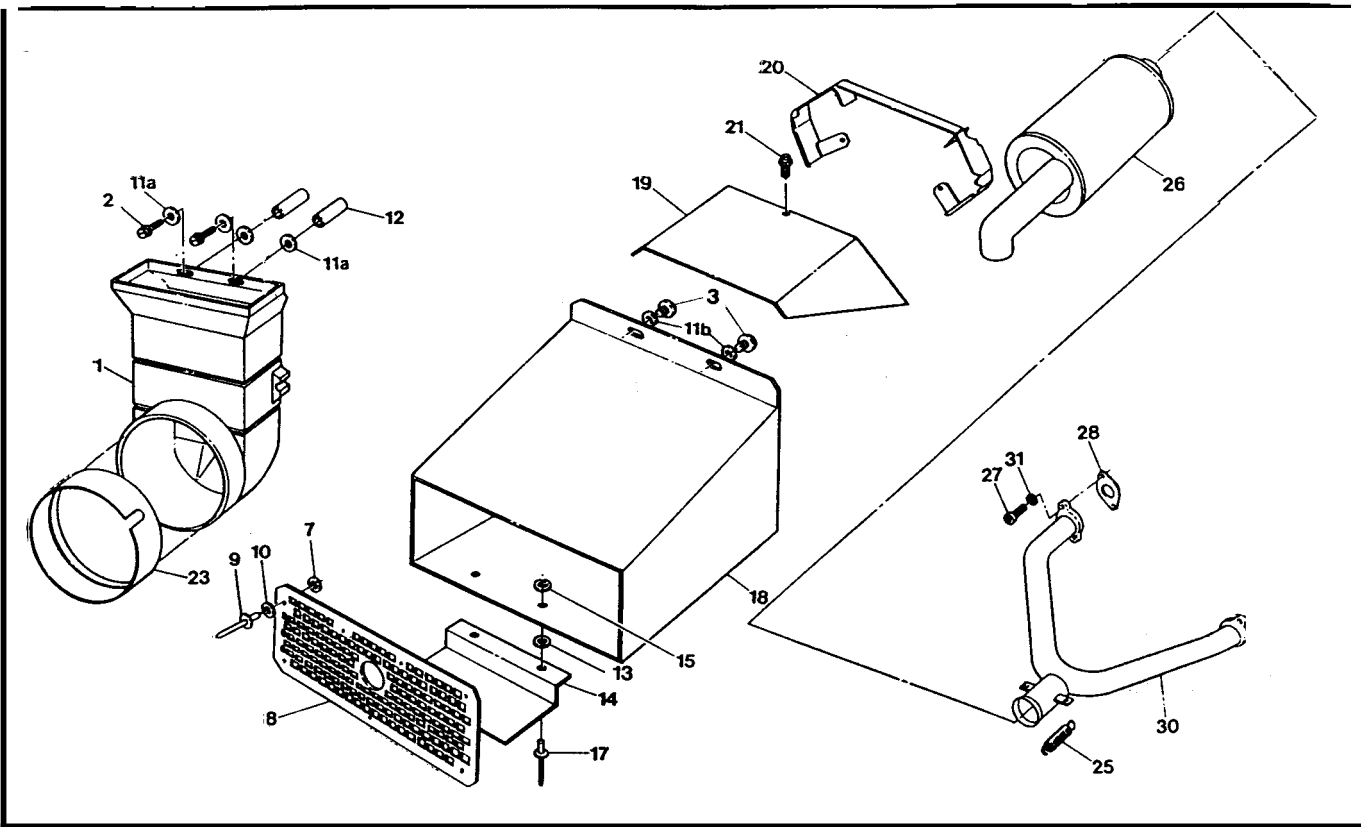
1. Find the major vehicle assembly in the Table of Contents on this page, and turn to that section.
2. Locate the part in the illustration that you wish to order.
3. Refer to the parts list in that section.
4. Find the correct part number (Part No.), part description (Description) and correct quantity (Qty).
5. Use only this information to order ARGO replacement parts. DO NOT attempt to order a replacement part by Ref number or Page number.

Table of Contents

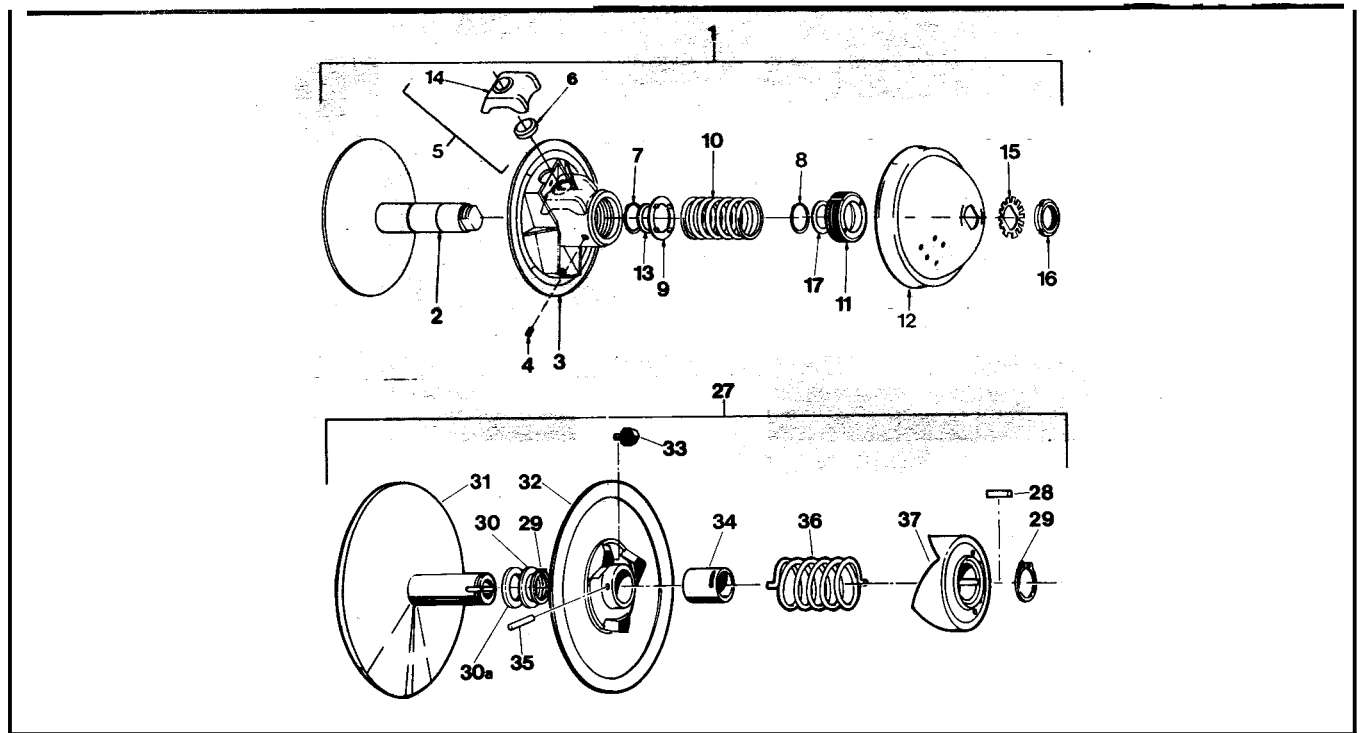
Foreword.....	i
Model Identification.....	.i
Using the Parts Manual.....	ii
1.0 Transmission.....	1
2.0 Intake and Exhaust System.....	3
3.0 Clutch System.....	3
4.0 Power Pack Assembly.....	5
5.0 Brake System.....	7
6.0 Vehicle Body & Firewall.....	9
7.0 Frame & Drive System.....	11
8.0 Fuel System & Seat Assembly....	13
9.0 Electrical System.....	15



Ref	Part No.	Description	Qty	Ref	Part No.	Description	Qty
	110-17HU	Transmission Asm - HU , does not include Refs 38, 52 53 & 56		31	114-01	Washer, Shim .020x2.25x2.8 1	2
1	34-68	Cover, Transmission	1	32	101-03	Bearing, Ball 6207-C 3	2
2	34-99	Housing, Transmission	1	33	103-04	SHCS, 5/16-18 x 1.00 PL	3
3	34-21	Shaft, Input - 13/ 21 T	1	34	108-02	Lockwasher, Hi-Collar 5/16, PL	3
4	34-16A	Gear, Idler 13T,incl. bushing, incl. Ref. 51	1	35	101-15	Bearing, Ball 6005-C 3	2
5	34-96	Gear, Helical - 26T	1	36	107-04	Retaining Ring N1400-98	2
6	34-94	Shaft, Splined	1	37	34-08	Cage	1
7	34-91	Gear, Double - 26/33 T	1	38	610-67	Shift Lever Rod	1
8	34-43	Gear Plate - 71T	1	39	34-47	Gasket, Cover - 1/64 Thk	1
9	105-03	Bushing, Oilite -AA650	12	40	103-02	Plug, Magnetic 3/8-18 NPT Sq. Hd	1
10	34-13	Gear, Planet -12 T	6	41	34-86	Holder, Shift Lever	1
11	34-14	Gear, Sun - 21 T	2	42	111-01	Pin, Spirol 5/32 x 1.00	2
12	34-81	Shaft, Output	2	43	113-01	O-Ring 012-7147	1
13	34-65	Shifter Asm	1	44	105-02	Bushing, Oilite - AA628	1
14a	114-04	Washer, Shim .040 Thk	1	45	104-03	Pin , Dowel 1/4" x 7/8" long	2
14E	114-05	Washer, Shim .020 Thk	1	46	34-77	Dipstick, with Breather	1
15	106-01	Retaining Ring #5000-187	3	47	103-06	HHCS 5/16-18x1.00 GR5 Zinc	4
16	101-01	Bearing , Ball 6204Z-C 3	3	48	108-05	Lockwasher 5/16 Zinc	7
17	101-16	Bearing, Ball 6206-C3	1	50	34-63	Shift Yoke	1
18	114-02	Washer, Shim 2.062	1	51	105-05	Bushing, Oilite - AA650-3 in Ref.4	1
19	106-05	Retaining Ring N1300-244	1	52	102-97	HHCS 1/4-20x1.25 GR5 Zc	1
20	102-05	Seal, Oil WBS 30x62x10 NB D/Lip	1	53	117-27	Locknut, Nylon 1/4-20 Zinc	1
21	107-05	Retaining Ring N1400-50	3	54	103-84	HHCS 5/16-18x2.25 Gr. 5 Zc	3
22	34-11	Pin, Dowel 1/2x 3.50	1	55	102-95	FHSC 5/16-18x1.0 GR8 Zinc	1
23	31-07	Plug plate	3	56	126-38	Knob, Shift	1
25	109-05	Ball, Steel 6mm 62-67 Rc	1				
26	34-32	Spring,Compression - 7/32 x .50	1				
27	102-03	Seal, Oil WBS 30x72x10 NB D/Lip	2				
28	106-03	Retaining Ring #5000-28 1	4				
29	107-02	Retaining Ring N1400-118	2				
3c	101-05	Bearing , Ball 6306-2NSE C3	2				



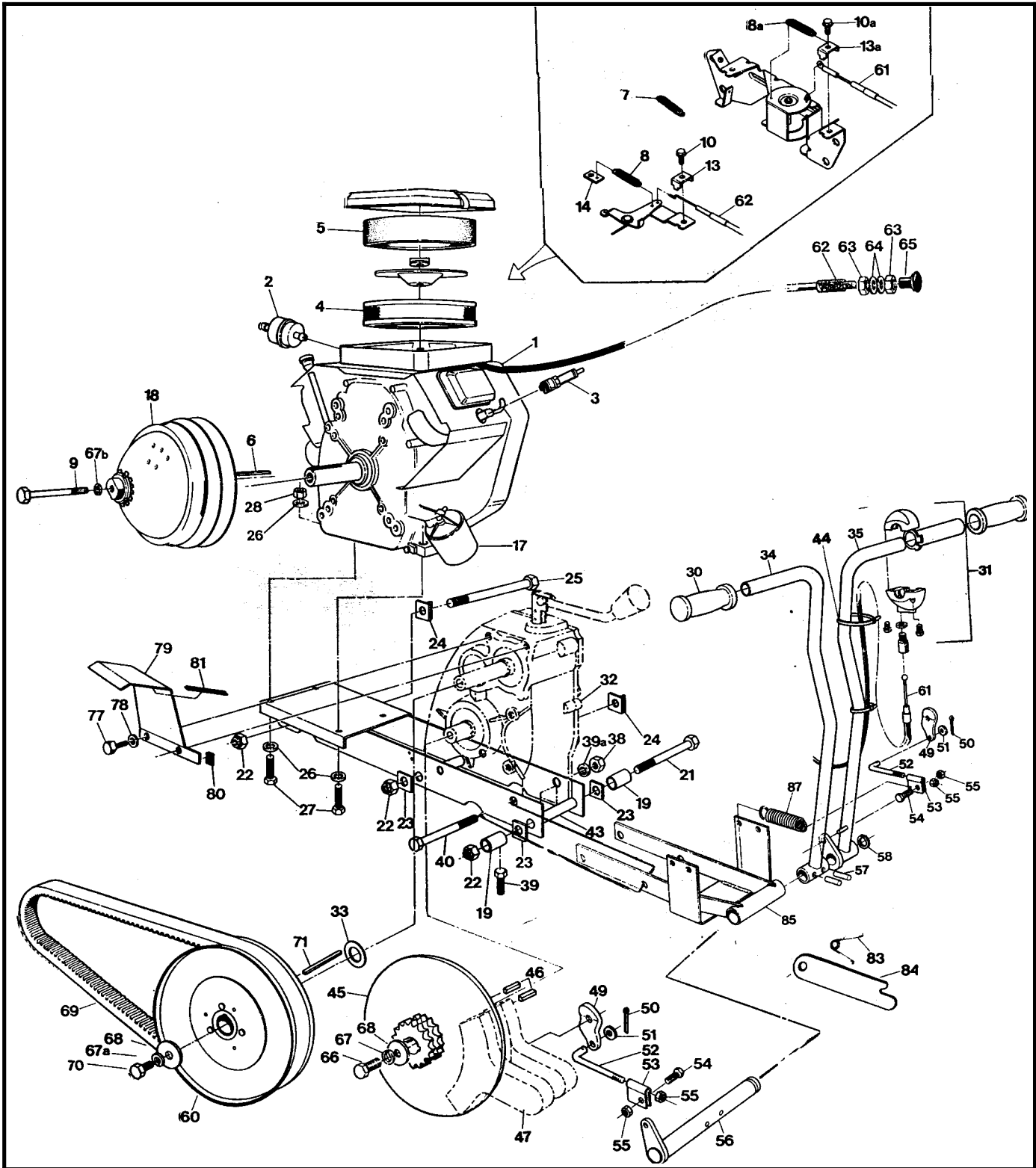
3.0 Clutch System



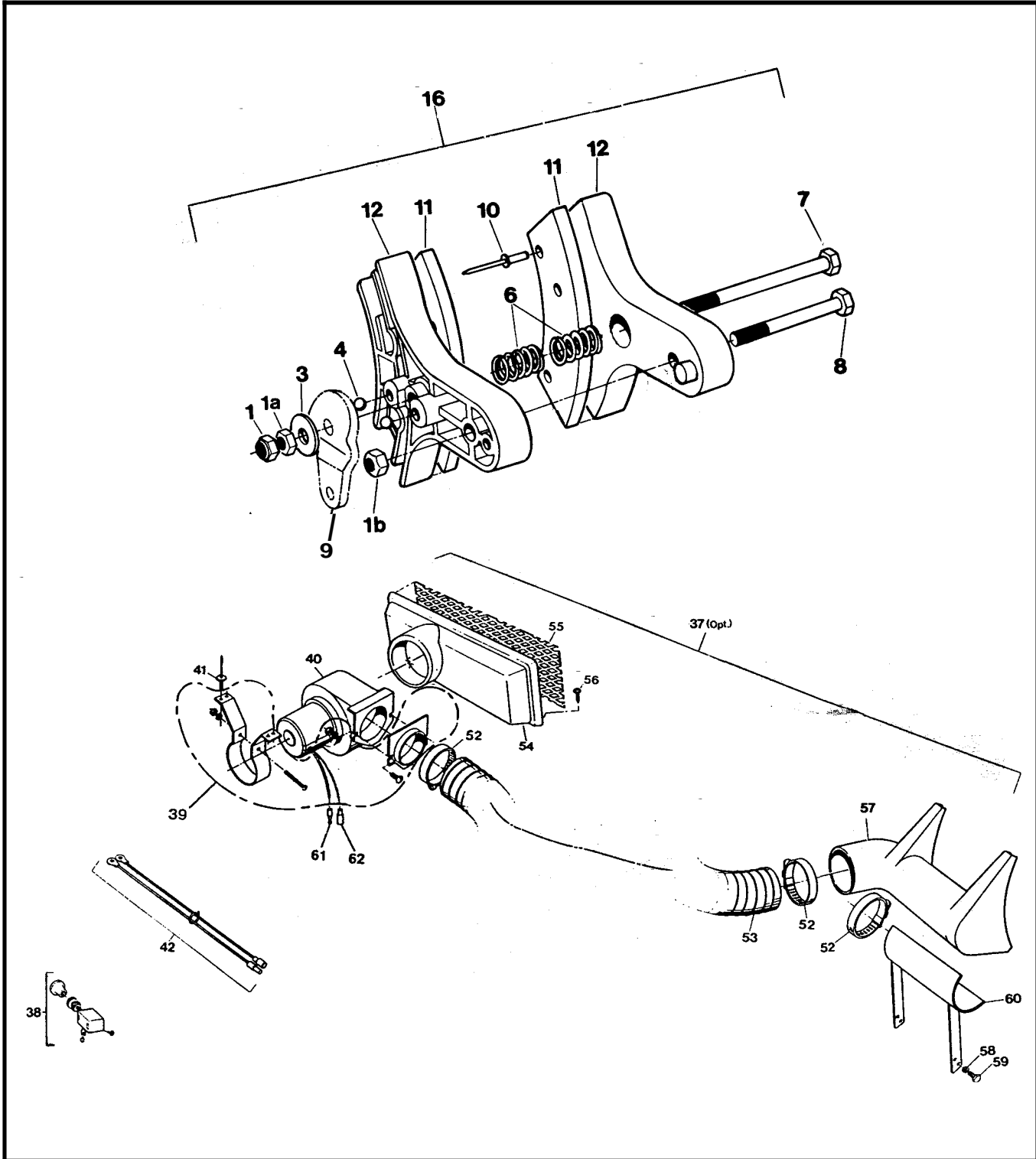
Ref	Part No.	Description	Qty	Ref	Part No.	Description	Qty
1	603-81	Duct, Intake	1	15	120-04	Washer, .195x.50x.08 Zinc	2
2	112-48	Screw, T/S HH #14x2.25 ZN	2	17	120-13	Rivet - 3/16 x 5/8	2
3	112-19	Screw, IHWH T/C Slot 1/4-20x0	2	18	707-32	Duct, Exhaust - Response	1
7	120-05	Washer, .195x.50x.040 Zinc	7	19	707-26	Cover, Engine Duct	1
8	707-31	Screen, Exhaust - Response	1	20	707-25	Duct, Engine	1
9	120-09	Rivet 3/16 x 1	7	21	103-11	Screw, IHWH Slot 1/4-20x.50 ZN	3
10	125-59	Washer, Fibre - .062x.25x.5t	7	23	603-82	Seal	1
11a	108-08	Washer, 1/4 SAE Zinc	4	25	126-57	Spring, Exhaust	2
11b	108-08		2	26	707-15	Muffler	1
12	120-29	Spacer, .26 ID x 1.12 LG	2	27	112-30	SHCS, M8x1.25x20.0 Zinc	4
13	125-58	Washer, Fibre - W-77F	2	28	805024	Gasket	2
14	707-28	Support, Exhaust Duct	1	30	707-05	Manifold, Exhaust	1
				31	108-02	Lockwasher, Hi-Collar 5/16, PL	4

3.0 Clutch System

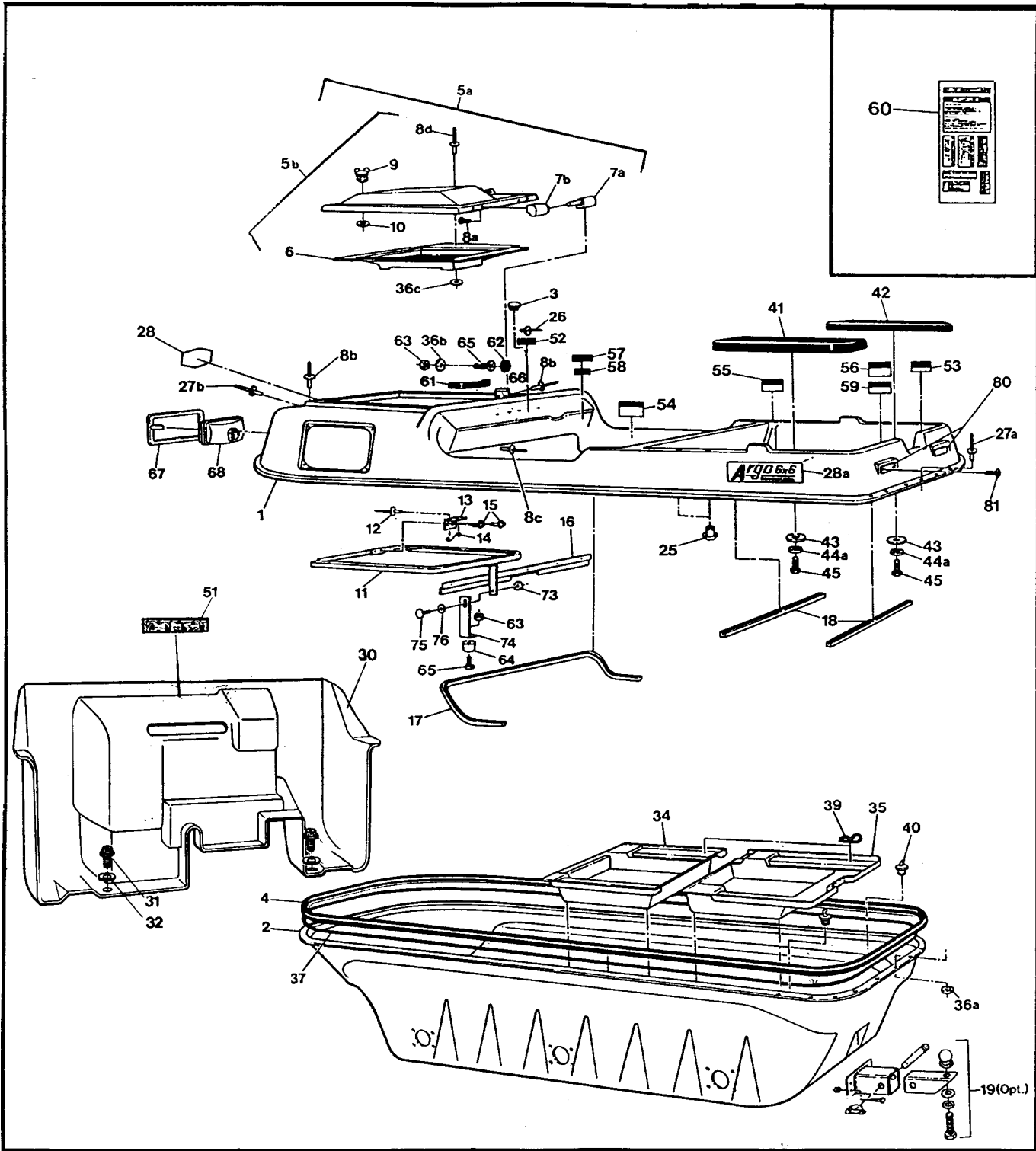
Ref	Part No.	Description	Qty	Ref	Part No.	Description	Qty
1	127-37	Clutch, Driver, keyed incl. Refs 2 to 17, PODB0004	1	27	126-24	Clutch, Driven Model "B" SODB0001	1
2	701L411F	Pulley, Half - Fixed	1			incl. Refs 28 to 37	
3	V021F	Pulley, Half - Sliding	1	28	ASK-5	Key 1/4x1/4x3/4	1
4	V046	Lock Screw (use Loctite 242)	1	29	ASR-6	Retaining Ring N1400- 150	2
5	V05BMR-200	Block + 200g Lead Slug Asn	3	30	ASA-1	Spacer .050" Thick	as req
6	X-82-200	Slug, Lead 200 g	3	30a	ASA-1-S	Spacer .025" Thick	as req
7	V08	Retaining Ring D1400-350	1				
8	V08C	Retaining Ring N1408-137	1	31	AFK25.4-250OD01	Pulley, Half - Fixed	1
9	V09	Spring Guide Plate	1	32	CMC-2-250OD01	Pulley, Half - Sliding	1
10	V10-48-108-18	Spring, Blue	1			incl. Refs. 34 and 35	
11	V111	Threaded Cap	1	33	ANS-2-T	Shoe, Cam	3
12	V1203B	Cap, Type "B"	1	34	AMB-2	Bushing, Bronze	1
14	V05BMR	Block, Red	3	35	CCP-2-156	Pin, Spirol	1
15	V15	Lockwasher	1	36	ACS-3-188	Spring, Blue	1
16	V162	Locknut	1	37	AFC-4-C3D4	Cam	1
17	X-35MA	Spacer	as req				



Ref	Part No.	Description	Qty	Ref	Part No.	Description	Qty
1	126-52	Engine - Vanguard V-Twin 16 HP incl. refs 2-14, 17	1	43	611-66	Frame-Power Pack Van.	1
2		See Section 8.0 Fuel System & Seat Assembly		44	100-64	Tie Wrap - 5.5" - Black	6
3	126-74	Spark Plug #3926	2	45	610-24H	Brake Disc-#40-2x15T w/hole	2
4	394018	Cartridge - Air Cleaner (BS#)	1	46	110-14	Key 1/4x1/4x1.25	4
5	271271	Element - Air Cleaner (BS#)	1	47		See Section 5.0 Brake System	
6	110-03	Key 1/4x3/16x2.375 RC46	1	49	612-41	Brake Cam	2
7	127-31	Spring, Governor - Green	1	50	100-03	Pin, Cotter 3/32x.750 Zinc	2
8	125-88	Spring, Return	1	51	108-24	Washer 5/16 SAE Zinc	2
8a	125-88	Spring, Return	1	52	612-21	Brake Adjusting Rod	2
9	112-28	HHCS, 3/8-24x4.5 GR5 Zinc	1	53	612-20	Steering Rod Clamp	2
10	805169	Screw-Hex Head (BS #)	1	54	103-46	HHCS 5/16-24x1.00 Zinc	2
10a	805169	Screw-Hex Head (BS #)	1	55	117-04	Locknut, Nylon 5/16-24 Zinc	4
13	805170	Clamp - Casing (BS#)	1	56	612-81	Steering Shaft Asm.	1
13a	805170	Clamp - Casing (BS#)	1	57	111-04	Pin, Spirol 5/16x1.50	2
14	601-86	Clip, Retainer	1	58	107-01	Retaining Ring, N1400-87	1
17	126-95	Filter, Oil	1	60		See Section 3.0 Clutch System	
18		See Section 3.0 Clutch		61	612-89	Cable Asm, Throttle - Van.	1
19	811-14	Spacer	2	62	612-92	Cable Asm, Choke - Van. incl. 63	1
21	103-37	HHCS 5/8-18x10.00 Gr5 Zc	1	63		Jam Nut, 5/16-24, Part of 62	2
22	117-56	Locknut, Nylon 5/8-18 Zinc	3	64	108-24	Washer 5/16 SAE Zinc	2
23	811-09	Washer, Square .64ID	3	65	126-75	Knob, Choke - Black	1
24	811-10	Washer Asm, Square	2	66	103-18	HHCS 3/8-24x1.25 GR5Zinc	2
25	103-52	HHCS 5/8-18x7.50 Gr5 Zc	2	67	108-06	Lockwasher, 3/8 S/R, Zinc	2
26	108-24	Washer 5/16 SAE Zinc	8	67a	108-06	Lockwasher, 3/8 S/R, Zinc	1
27	112-27	HHCS 5/16-18x1.75 GR5ZN	4	67b	108-06	Lockwasher, 3/8 S/R, Zinc	1
28	117-21	Locknut, Nylon 5/16-18 Zinc	4	68	108-18	Washer 13/32x1.375x11GA	3
30	127-35	Grips, Molded Set	1	69	125-56	Drive Belt	1
31	100-57	Throttle Twist Grip	1	70	103-34	HHCS 3/8-16x1.25 GR5Zinc	1
32		See Section 1.0 Transmission		71	110-09	Key 1/4x1/4x3.0	1
33	108-36	Washer .06x1.00x1.375 Zinc	as req	77	103-17	HHCS 3/8-16x1.00 GR5Zinc	2
34	612-98	Lever, Steering - LH	1	78	108-26	Washer 3/8 Zinc	2
35	612-99	Lever, Steering - RH	1	79	603-29	Guard, Belt Protect	1
38	117-06	Nut, Fin Hex 1/2-13 Zinc	2	80	601-92	Vinyl Trim, 1.5"	1
39	103-53	HHCS 3/8-16x3.0 Full Thread	2	81	601-93	Vinyl Trim - 4.25"	1
39a	108-07	Lockwasher 1/2 Zinc	2	83	126-87	Spring, Parking Brake	1
40	112-52	HHCS 1/2-13x7.0 GR5Zinc	2	84	612-80	Holding Brake Lever	1
				85	612-94	Bracket Asm., Mech. Brake	1
				87	127-33	Spring, Extension - Strg Lever	2



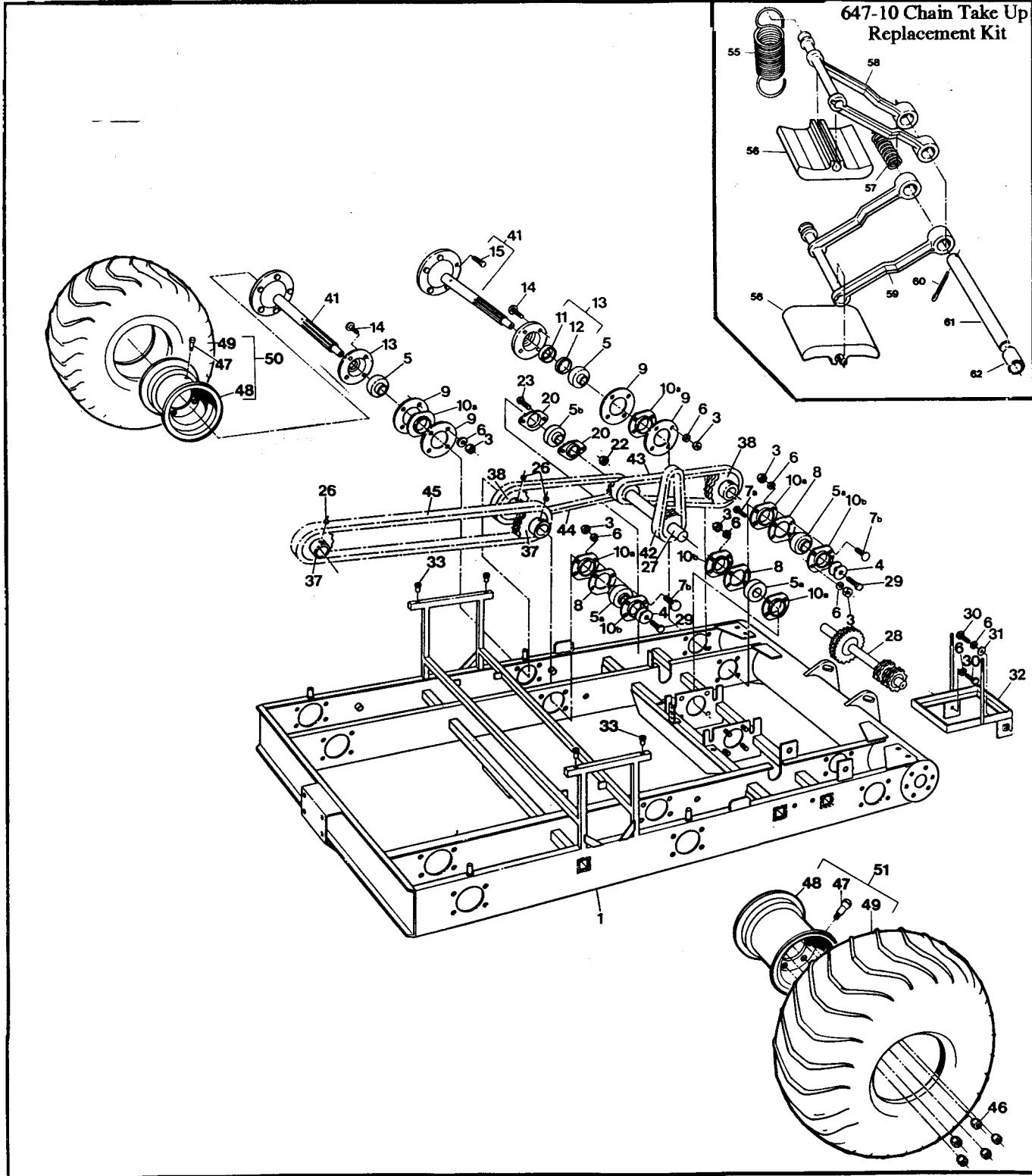
Ref	Part No.	Description	Qty	Ref	Part No.	Description	Qty
1	117-46	Locknut, 2-way 5/16-24 ZN	1	37	668-03	Brake Cooling Kit-Vanguarc (incl. Refs 38 to 62)	1
1a	117-46	Locknut, 2-way 5/16-24 ZN	1	38	100-62	Switch, Light	1
1b	117-46	Locknut, 2-way 5/16-24 ZN	1	39	125-92	Adpt. & Mounting Kit (incl. Refs 43 to 50)	
3	108-12	Washer, .34x1.00x.06 Zinc	1				
4	109-02	Ball, Steel 1/4 Chromesteel	2				
6	100-10	Spring, Compression	2				
7	103-16	HHCS 5/16-24x3.75 GR8ZN	1	40	125-91	Blower Fan	1
8	103-29	HHCS 5/16-24x2.75 GR8ZN	1	41	120-13	Rivet 3/16"x5/8	4
9		See Section 4.0-Power Pack Assembly		42	613-05	Wire Harness	1
10	120-11	Rivet, 5/32x9/16	8	43		Mounting Bracket	1
11	100-56	Brake Pad, Set of 2	1	44		Nut, #10-32	1
12	100-54	Caliper, Brake	2	45	See	Lockwasher, 3/16"	1
16	100-72a	Brake Assembly (icl. Refs. 1 to 8, 10 to 12)	1	46	125-92	Screw, #10-32 x 2"	1
				47	above	Nut, 1/4-20	2
				48		Lockwasher, 1/4"	2
				49		Screw, 1/4-20x 5/8"	2
				50		Adaptor, 3" dia.	1
				52	125-35	Clamp, Gear 3.50 HF-52	3
				53	127-44	Hose , Intake 3" dia. x 46"	1
				54	601-89	Intake Flange (specify clr)	1
				55	126-61	Intake Screen	1
				56	103-48	Pan HD Phil T/S #10x5/8 AB zinc	4
				57	127-39	Brake Cool Air Duct	1
				58	108-03	Lockwasher 1/4 Split Ring	4
				59	112-19	Screw, IHWH T/C Slot 1/4-20x 1/2	4
				60	668-11	Mounting Bracket - Duct	1
				61	118-02	Terminal, Male-#76-1251	1
				62	118-03	Terminal, Female - #76-1289	1



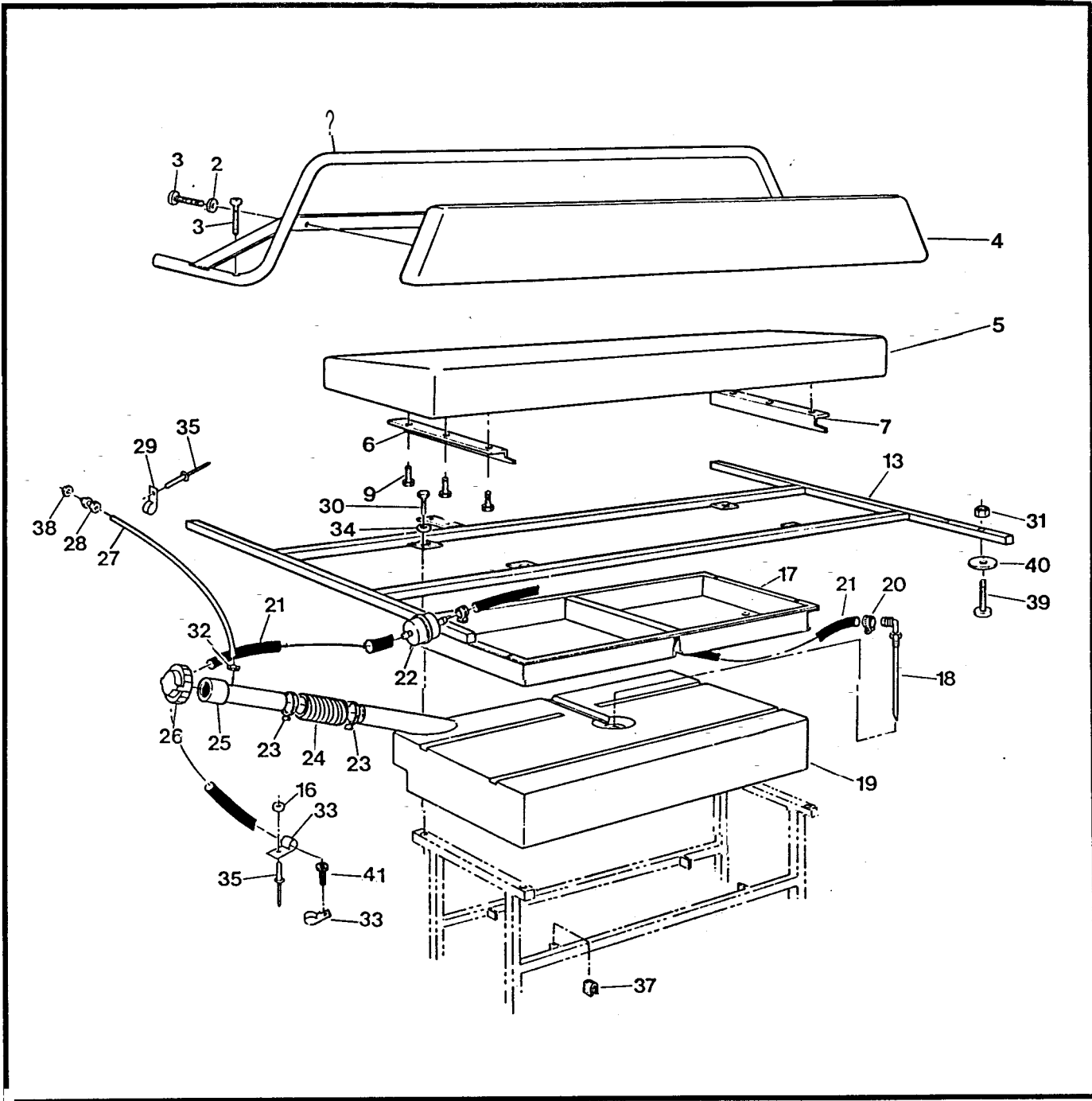
Vanguard Parts Manual

6.0 Vehicle Body & Firewall

Ref	Part No.	Description	Qty	Ref	Part No.	Description	Qty
1	601-32	Body + Hood, Upper-Van. Replacement, specify colour (incl. Ref. 5b, 11, 12, 13, 14, 15)	1	34	803-02	Floor Pan, Front specify colour	1
2	603-91	Body, Lower - 6x6, specify colour	1	35	603-03	Floor Pan, Rear 6x6 specify colour	1
3	127-28	Plug, Nylon - Black	1	36a	120-04	Washer, .195IDx.50ODx.08 Zc	46
4	601-05	Bumper, Vinyl - 6x6	1	36b	120-05	Washer, .195x.50x.04 Zc	2
5a	602-37	Hood Kit - Vanguard specify colour	1	36c	120-04	Washer, .195IDx.50ODx.08Zc	5
5b	602-39	Hood Asm. - Vanguard specify colour (incl. 6,9,10,8d,36c)	1	37	126-60	Vinyl Strip 1/2"x1/4"x37.5"	1
6	801-47	Duct, Intake Transition specify colour	1	39	100-16	Clip, Hitch Pin 1.625 Znc	4
7a	127-45A	Pin, Hinge	2	40	100-18	Plug, Drain 5/8" x 13/32"	2
7b	127-45B	Knuckle, Hinge	2	41	601-03	Seat, Rear LH - 6x6	1
8a	103-47	HHCS, 10-24X3/8	8	42	601-02	Seat, Rear RH - 6x6	1
8b	120-13	Rivet 3/16x5/8	7	43	603-15	Washer, Plastic	2
8c	120-13	Rivet 3/16x5/8	5	44a	108-01	Washer, Fender 1/4 SAE Zc	2
8d	120-09	Rivet, 3/16x1	5	45	103-08	HHCS 1/4-20x1.00 Zinc	2
9	126-10	Wing Stud	1	51	126-65	Shifting Plate	1
10	126-09	Grommet, Alum. #GH-7	1	52	127-26	Steering Lever Plate & Winch	1
11	602-24	Hood Support Assembly	1	53	126-67	Floor Pan Plate	1
12	120-15	Rivet, 1/8x7/16	2	54	126-68	Operation Plate	1
13	601-69	Spring Plate	1	55	126-69	Fuel Plate	1
14	126-11	Spring	1	56	126-70	Vehicle Capacity Plate	1
15	112-19	Screw, IHWH T/C Slot 1/4-20 x 0.5"	2	57	126-64	Vehicle ID Plate	1
16	602-29	Brace, Dash	1	58		U.S. Plate, Non-U.S. Argos only	1
17	601-08	Vinyl Trim, 84"	1	59	126-80	Plate, Capacity - 6 whl.	1
18	601-09	Vinyl Trim, 28"	2	60	126-73	French Decals, inc. 51-58 available as set only	1
19	626-10	Hitch Kit (Opt.)	1	61	125-41	Dash Handle, incl. 62	1
25	117-44	T-Nut 1/4-20 PL	4	62		Plug cap, avail. only with 61	2
26	120-24	Rivet, Alum. 3/32x3/8 - all plates	36	63	117-10	Locknut, Nylon #10-24 Zinc	3
27a	120-09	Rivet, 3/16x1	46	64	126-88	Bumper, Rubber	1
27b	120-09	Rivet, 3/16x1	25	65	103-25	PHMS #10-24x3/4" Zinc	3
28	601-44	Nameplate, "Argo"	1	66	602-38	Clip, Hood	1
28a	127-41	Nameplate, 6x6 Vanguard2	2	67	613-70	Bezel, Headlamp	2
30	609-36	Firewall - Vanguard	1	68		See Section 9.0 Electrical System	
31	103-72	Screw, IHWH T/C Slot 1/4-20x3/4	2	73	117-15	Nut, Fin. Hex 3/8-16 Zinc	1
32	108-08	Washer, 1/4 SAE Zinc	2	74	602-27	Support, Adjustable	1
				75	103-89	C/Bolt 3/8-16x.75 Gr2 Zinc	1
				76	108-06	Lockwasher, 3/8 S/R, Zinc	1
				80	127-01	Reflector, Red	2
				81	103-48	Pan HD PHIL T/S #10x5/8 AB Zinc	4

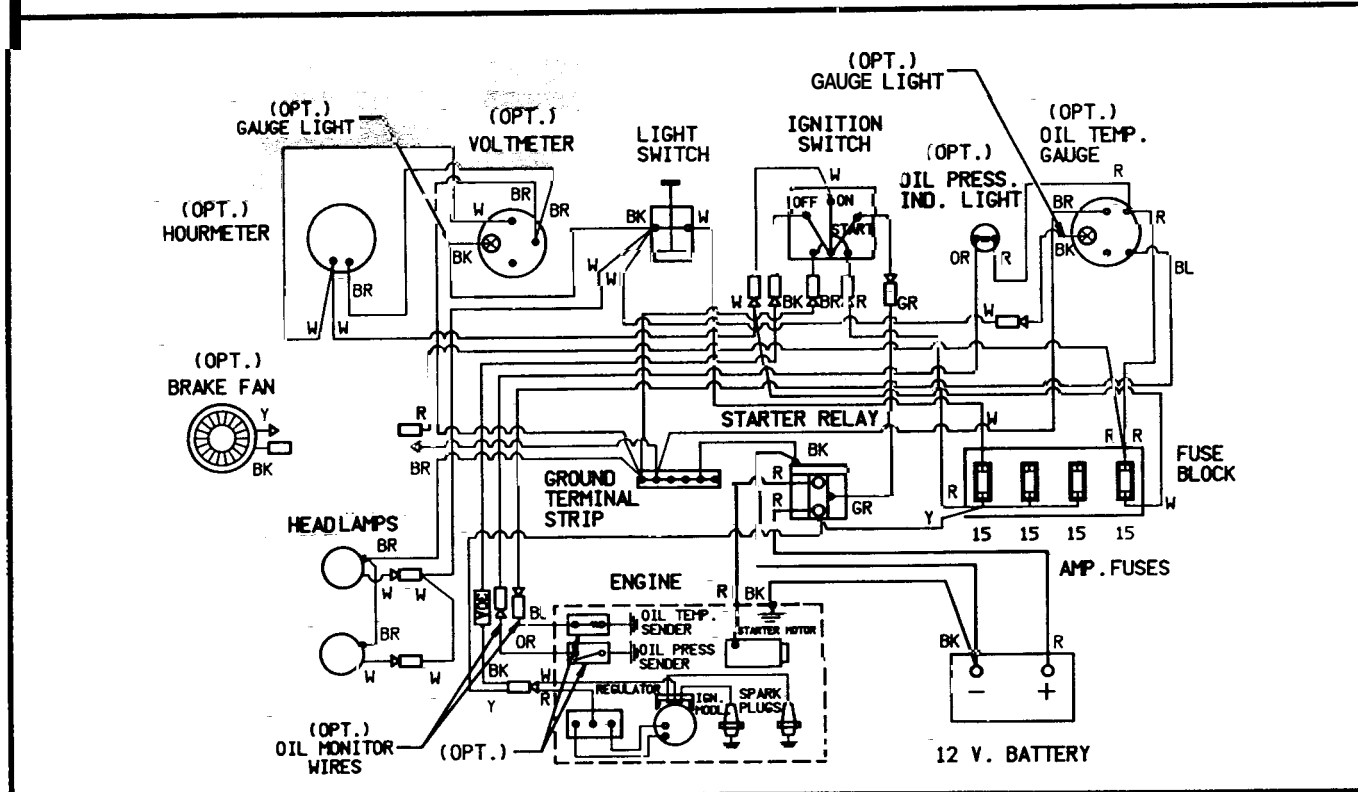
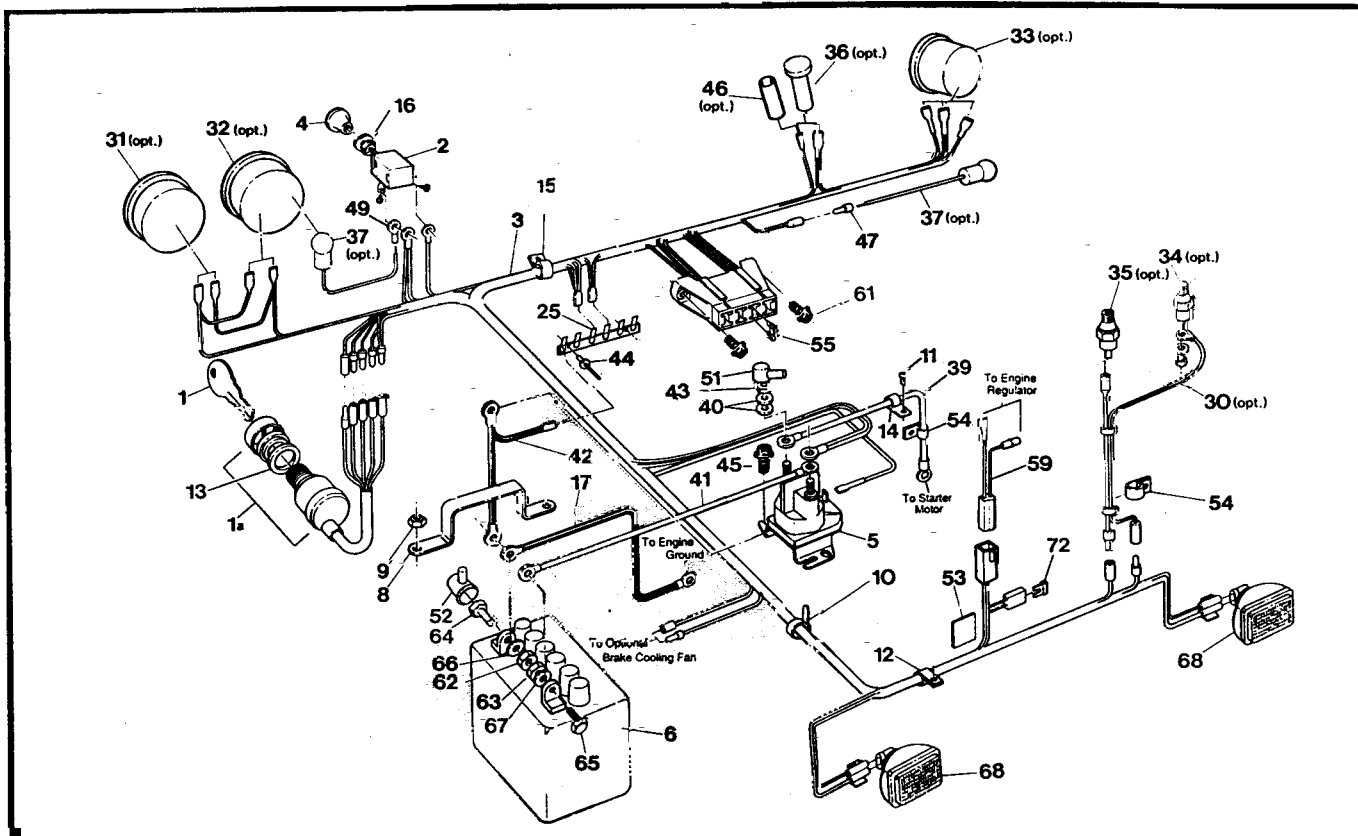


Ref	Part No.	Description	Qty	Ref	Part No.	Description	Qty
1	606-50	Frame Asm - 6x6 Van55	1	37	810-29	Sprocket, M/R Axle - 19T	4
3	117-15	Nut, Fin Hex 3/8-16 Zinc	56	38	810-28	Sprocket, Front Axle - 24T	4
4	108-46	Washer 13/32x1.375 Hi-Carb	12	41	810-75	Axle Asm (incl. Ref 15)	6
5	101-35	Bearing, Ball UC206A-20	6	42	603-22	Chain, Idler RC40-2x46P (incl. Ref 54)	2
5a	101-41	Bearing, Ball UC206A-16	8	43	603-17	Chain, RC50-2x42P-Frt. (incl. Ref 53)	2
5b	101-30	Bearing, Ball 1.0 Setscrew	2	44	603-20	Chain, RC50-2x70P-Mid. (incl. Ref 53)	2
6	108-06	Lockwasher, 3/8" S/R Zc	58	45	603-21	Chain, RC50-2x96P-Rear (incl. Ref 53)	2
7a	103-17	HHCS 3/8-16x1.00 GR5 Zc	2	46	117-35	Nut, Wheel 7/16-20 Zinc	5x6
7b	103-88	C/Bolt 3/8-16x1.00 GR5 Zc	22	47	125-26	Valve, Tire (See Ref. 48)	6
8	605-99	Gasket, Flange	8	48	125-15C	Rim, 8x7-5 Bolt c/w valve (incl. Ref 47)	6
9	605-89	Gasket, Outer Brg Flange	12	49	126-96	Tire, Goodyear Runamuk 22x10-8	6
10a	605-63	Flange, Bearing - Outer	14	50	126-98C	Tire & Rim Assem. - LH (incl. Refs 48 & 49)	3
10b	101-20	Flange Assem., Bearing	8	51	126-97C	Tire & Rim Assem. - RH (incl. Refs 48 & 49)	3
11	102-14	Seal, Oil CR#12361	6	53	100-96	Con. Link, RC50-2 H.D.	1x6
12	102-15	Seal, Oil CR#12379	6	54	100-97	Con. Link, RC40-2 H.D.	1x2
13	605-97	Flange Assem., Outer (uses Ref. 11 & 12)	6	55	125-61	Spring, Tensioner	1x4
14	112-39	C. Bolt, 3/8-16x1.75" GR5 Zc	24	56	603-61	Slider Block	2x4
15	103-80	Stud, Wheel 7/16-20x1.125	5x6	57	125-78	Spring, Spacer	1x4
20	101-14	Flangette - 2 Hole - Trim 1"	4	58	603-77	Upr Chn Tensioner Arm	1x4
22	117-04	Locknut, Nylon 5/16-24 Zinc	4	59	603-76	Lwr Chn Tensioner Arm	1x4
23	103-46	HHCS 5/16-24x1.00 GR5 Zc	4	60	100-01	Pin, Cotter 1/8x1.5" Zinc	1x4
26	112-03	SHSS 5/16-18x3/8 1/2 DOG,PL	6	61	603-78	Pivot Pin	1x4
27	606-30	Idler Asm - L 4x11T 2x24T	1	62	603-66	Spacer, .500 ID x .625 lg	1x4
28	606-31	Idler Asm - R 4x11T 2x24T	1	.	647-10	Chain Take Up Replacement Kit (incl. Refs 55 thru 62 as shown)	4
29	112-31	HHCS 3/8-16x1.0 2B GR8 Zc	6				
30	112-14	HHCS 3/8-16x.750 Gr5 Zc	2				
31	108-15	Washer 3/8 SAE Zinc	1				
32	604-84	Frame Asm. - Battery	1				
33	117-64	Insert, 1/4-20	4				



Vanguard Parts Manual 8.0 Fuel System and Seat Assembly

Ref	Part No.	Description	Qty	Ref	Part No.	Description	Qty
1	803-50	Handrail Assembly	1	21	608-42	Fuel Hose, 1 1/0	1
2	108-00	Lockwasher, Split Ring 1/4"	4	22	125-64	Fuel Filter, G 81-4	1
3	112-40	PHMS, PHIL 1/4-20x1.250Zc.	6	23	100-12	Clamp, Gear 2.25" HF36	2
4	608-30	Back Pad Assembly	1	24	125-94	Hose, Filler	1
5	608-40	Seat, Bench	1	25	126-47	Fuel Neck Assembly	1
6	608-30	Angle, Left	1	26	126-46	Cap, Fuel	1
7	608-30	Angle, Right	1	27	126-77	Hose, Vent 93" 6x6	1
9	103-70	Screw, IHWH T/C Slot 1/4-20x3/4	6	28	126-50	Male Connector, 1/4"	1
13	804-10	Frame Assembly, Seat	1	29	126-94	Clamp, Nylon Wire, 1/4"ID	4
16	120-00	Washer, .195IDx.500Dx.082	3	30	112-04	HHCS 1/4-20x3/4 Gr 2 Zinc	4
17	608-30	Tool Box	1	31	117-10	Locknut, Nylon #10-24 Zinc	12
18	608-20	Pickup Assembly, Fuel (See Ref. 19)	1	32	126-62	Clamp, Gear 1/4" 2-Ear #0500	1
19	608-20	Tank, Fuel 32 litre (incl. Ref. 18)	1	33	126-93	Clamp, Nylon Wire, 1/2" ID	4
20	100-70	Clamp, Gear 1/2" HF4	4	34	108-08	Washer, .28x.62x.04 Zinc	4
				35	120-09	Rivet, 3/16 x 1	3
				36	120-13	Rivet, 3/16x5/8	6
				37	702-06	Foam Cushion	4
				38	117-54	Locking PAL Nut, 1/2-20Zc	1
				39	112-07	RHMS, 10-24x 1.25 Zinc	12
				40	108-42	Washer, .062x7/32x1.00 Zc	12
				41	103-48	T/S Pan HD Phil #10-5/8 AB Zc	1



Vanguard Parts Manual

9.0 Electrical System

Ref	Part No.	Description	Qty	Ref	Part No.	Description	Qty
1	100-39A	Key	1	41	613-26	Power Cable	1
1a	126-17	Ignition Switch, incl. Ref 1	1	42	613-58	Ground Wire	1
2	100-62	Switch, Light	1	43	117-20	Nut, Fin. Hex, 1/4-20 Zinc	2
3	613-71	Main Wire Harness, incl. Fuse Holder	1	44	120-15	Rivet, 1/8x7/16	2
4	126-76	Knob, Light	1	45	112-19	Screw, IHWH T/C Slot 1/4-20x1/2	2
5	613-68	Starter Relay	1	46	118-48	Heat Shrink, 2 x 1/2 (opt.)	1
6	100-25	Battery, P-22NF245TL	1	47	118-02	Terminal, Male-#76-1251-88	1
8	604-52	Battery Retaining Bracket	1	49	118-30	Terminal, Eye - #10	1
9	117-21	Locknut, Nylon 5/16-18 Zinc	2	51	613-45	Terminal Insulator (6 ga.)	1
10	100-64	Tie Wrap, 5.5" - Black	8	52	613-46	Terminal Insulator (2 ga.)	1
11	103-48	Pan HD PHIL T/S #10x5/8 AB Zinc	1	53	702-06	Foam Cushion	2
12	126-93	Clamp, Nylon Wire -1/2" ID	10	54	126-83	Clip, Hose 5/16 I.D. #C-950PC	2
13	108-57	Washer, 3/4" ID, Tooth Lock	1	55	118-49	Fuse, 15 Amp, 2-prong (AT015)	4
14	126-93	Clamp, Nylon Wire - 1/2" ID	1	59	613-33	Harness, Regulator	1
15	127-24	Clamp, Nylon - 1" ID	1	61	112-51	Screw, IHWH T/C #10-24x5/8	2
16	108-55	Lockwasher, Ext. Tooth 7/16"	1	62	117-20	Nut, Fin. Hex 1/4-20 Zinc	1
17	613-18	Ground Wire	1	63	117-03	Nut, Fin. Hex 5/16-18 Zinc	1
25	613-37	Ground Terminal Strip	1	64	112-04	HHCS, 1/4-20x3/4" GR2 Zc	1
30	613-38	Oil Monitor Wires (opt.)	1	65	112-01	HHCS, 5/16-18x.750 GR5Zc	1
31	632-15	Hourmeter, #56548-10 (#876EM) (opt.)	1	66	108-08	Washer, 1/4" SAE Zinc	1
32	633-10	Voltmeter, #07583-15 (#830EM) (opt.)	1	67	108-24	Washer, 5/16" SAE Zinc	1
33	634-11	Oil Temp. Gauge #07556-88 (#828EM) (opt.)	1	68	613-69	Headlamp, Halogen	2
34	634-12	Oil Temp. Sender #02024-00 (opt.)	1	72	118-51	Fuse, 30A 2-prong (AT030)	1
35	52.099.06	Oil Pressure Switch, 6 psi (opt.) (Kohler #)	1				
36	634-08	Engine Oil Pressure Light (opt.)	1				
37	634-10	Light Kit, #06215-00 5/8" dia., see Ref. 32,33 (opt)	2				
39	613-49	Cable Starter	1				
40	108-03	Lockwasher, 1/4 Zinc	5				

ARGO Products Manufactured by:

Ontario Drive & Gear Limited

P.O. Box 280, Bleams Road

New Hamburg, Ontario

CANADA NOB 2G0

Phone: (519) 662-2840

Fax: (519) 662-2421

ODG *Dedicated to quality and performance*



ARGO

VANGUARD PARTS MANUAL

**Model No. V697-51
From Serial #S8131**

Foreword

ODG has prepared this parts manual for the **VANGUARD** model to assist both qualified mechanics and vehicle owners in ordering correct, quality replacement **ARGO** parts.

Proper and regular service, and replacing old, worn or broken parts with the correct **ARGO** replacement parts, are both essential to prolonging the life of the **ARGO**. Please refer to this parts manual before ordering any replacement part.

All information contained in this **VANGUARD** Parts Manual is based on the latest product specification available at time of printing. If your **VANGUARD** differs from the specifications contained in this manual, **contact Ontario Drive & Gear Limited for information.**

ODG reserves the right to alter specifications on the **VANGUARD** model at any time, without obligation or prior notification.

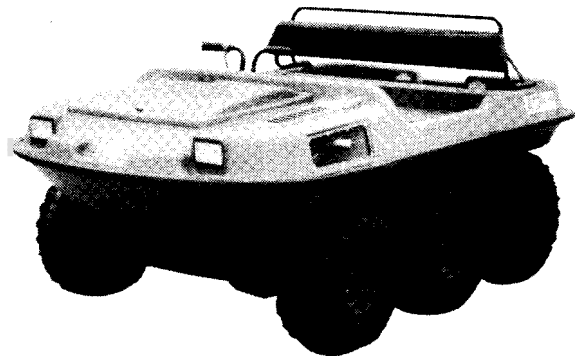
Reproduction of the **VANGUARD Parts Manual No. 697-51**, in whole or in part, is prohibited without prior written permission from **Ontario Drive & Gear Limited.**

Model Identification

VANGUARD - Model No. V697-51

Explanation of Parts Manual Format

- Ref** - Reference Number between Assembly Diagram and Component Parts List
- Part No.** - Argo replacement part number for identification and re-ordering
- Description** - Part Description for identification and re-ordering
- Qty** - Indicates the quantity of a part used in an Assembly

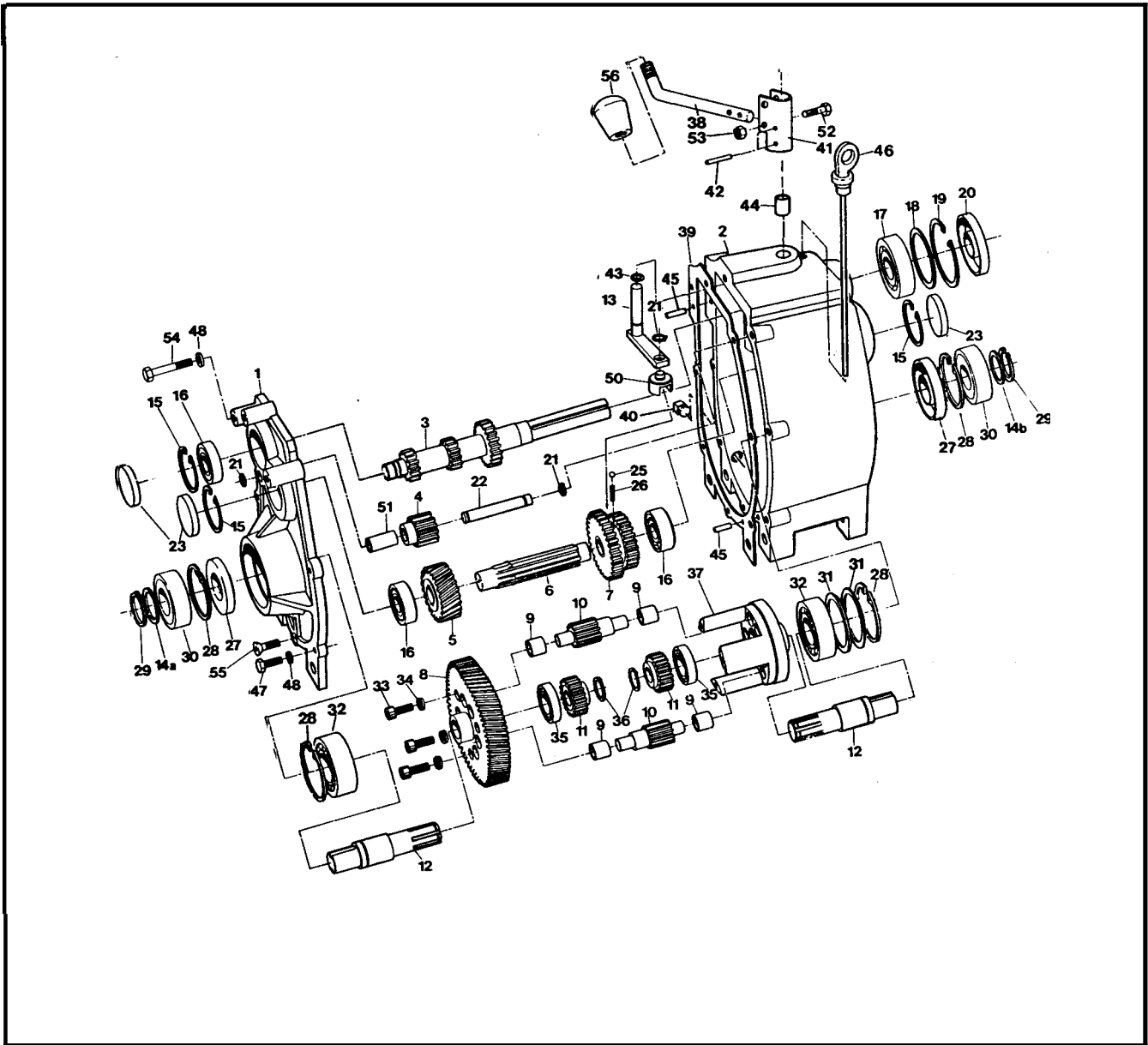


Using the Parts Manual

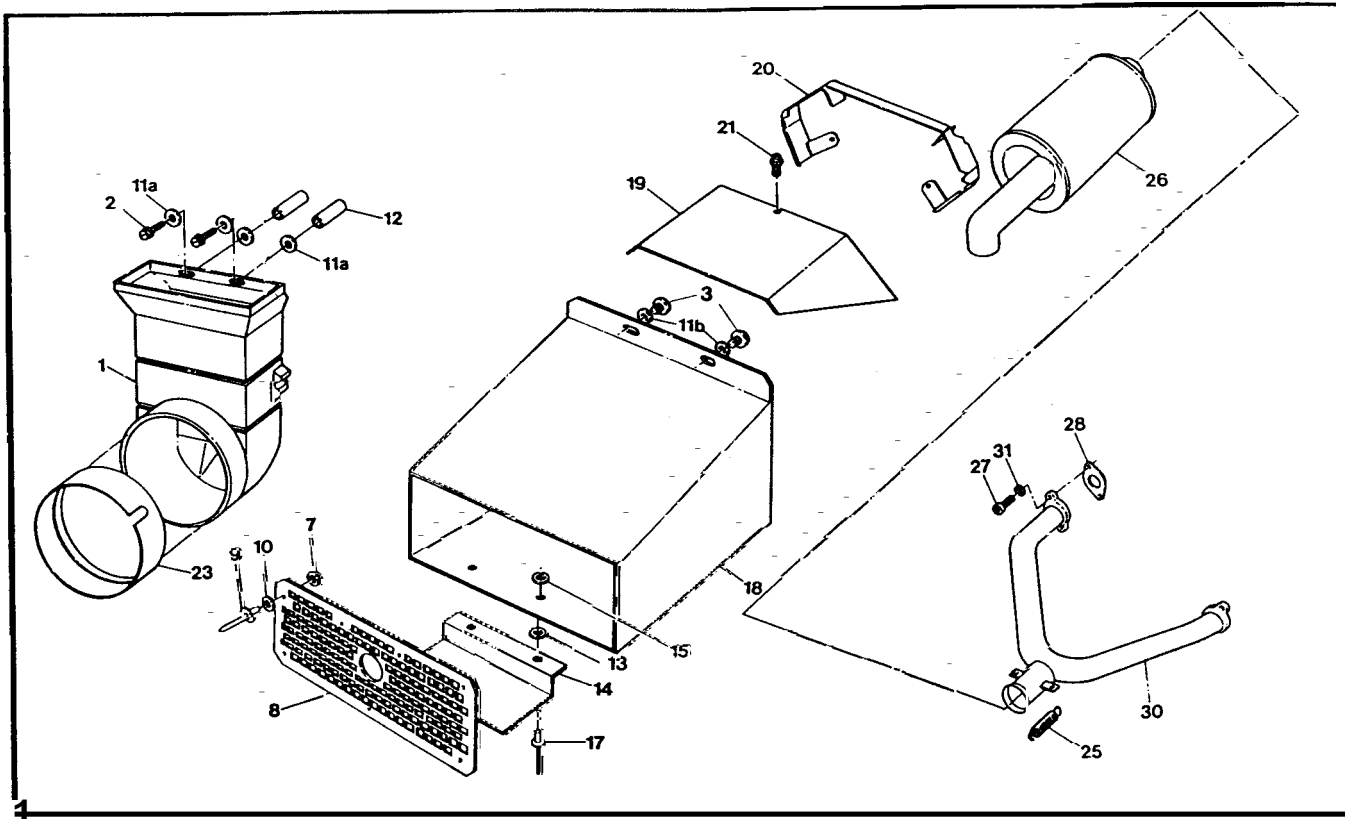
1. Find the major vehicle assembly in the Table of Contents on this page, and turn to that section.
2. Locate the part in the illustration that you wish to order.
3. Refer to the parts list in that section.
4. Find the correct part number (Part No.), part description (Description) and correct quantity (Qty).
5. Use only this information to order ARGO replacement parts. DO NOT attempt to order a replacement part by Ref number or Page number.

Table of Contents

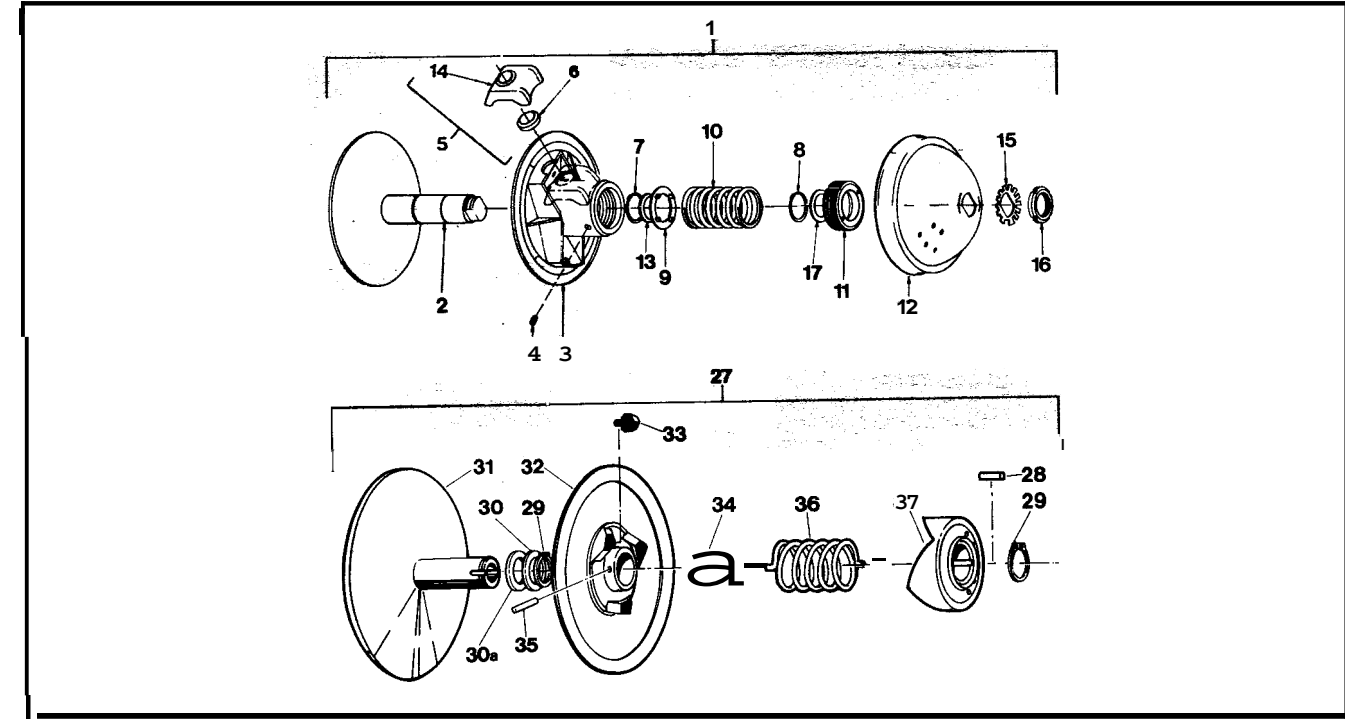
Foreword.....	..i
Model Identification.....	i
Using the Parts Manual.....	ii
1.0 Transmission.....	1
2.0 Intake and Exhaust System.....	3
3.0 Clutch System.....	3
4.0 Power Pack Assembly.....	5
5.0 Brake System.....	7
6.0 Vehicle Body & Firewall.....	9
7.0 Frame & Drive System.....	11
8.0 Fuel System & Seat Assembly....	13
9.0 Electrical System.....	15



Ref	Part No.	Description	Qty	Ref	Part No.	Description	Qty
	610-17HU	Transmission Asm - HU, does not include Refs 38, 52, 53 & 56		31	114-01	Washer, Shim .020x2.25x2.8 1	2
1	34-68	Cover, Transmission	1	32	101-03	Bearing, Ball 6207-C 3	2
2	34-99	Housing, Transmission	1	33	103-04	SHCS, 5/16-18 x 1.00 PL	3
3	34-21	Shaft, Input - 13/21 T	1	34	108-02	Lockwasher, Hi-Collar 5/16, PL	3
4	34-16A	Gear, Idler 13T, incl. bush, incl. Ref. 51	1	35	101-15	Bearing, Ball 6005-C 3	2
5	34-96	Gear, Helical - 26T	1	36	107-04	Retaining Ring N1400-98	2
6	34-94	Shaft, Splined	1	37	34-08	Cage	1
7	34-91	Gear, Double - 26/33 T	1	38	610-67	Shift Lever Rod	1
8	34-43	Gear Plate - 71T	1	39	34-47	Gasket, Cover - 1/64" Thk	1
9	105-03	Bushing, Oilite - AA650	12	40	103-02	Plug, Magnetic 3/8-18 NPT Sq. Hd	1
10	34-13	Gear, Planet -12 T	6	41	34-81	Holder, Shift Lever	1
11	34-14	Gear, Sun - 21 T	2	42	111-01	Pin, Spirol 5/32 x 1.00	2
12	34-81	Shaft, output	2	43	113-01	O-Ring 012-7147	1
13	34-65	Shifter Asm	1	44	105-02	Bushing, Oilite - AA628	1
14a	114-04	Washer, Shim .040 Thk	1	45	104-03	Pin, Dowel 1/4 x 7/8" long	2
14b	114-05	Washer, Shim .020 Thk	1	46	34-75	Dipstick, with Breather	1
15	106-01	Retaining Ring #5000-187	3	47	103-06	HHCS 5/16-18x1.00 GR5 Zinc	4
16	101-01	Bearing, Ball 62042-C 3	3	48	108-05	Lockwasher 5/16 Zinc	7
17	101-16	Bearing, Ball 6206-C3	1	50	34-63	Shift Yoke	1
18	114-02	Washer, Shim 2.062	as req	51	105-05	Bushing, Oilite - AA650-3 in Ref.4	1
19	106-05	Retaining Ring N1300-244	1	52	103-97	HHCS 1/4-20x1.25 GR5 Zc	1
20	102-05	Seal, Oil WBS 30x62x10 NB D/Lip	1	53	117-27	Locknut, Nylon 1/4-20 Zinc	1
21	107-05	Retaining Ring N1400-50	3	54	103-84	HHCS 5/16-18x2.25 Gr. 5 Zc	3
22	34-11	Pin, Dowel 1/2x 3.50	1	55	103-95	FHSC 5/16-18x1.0 GR8 Zinc	1
23	31-07	Plug plate	3	56	126-38	Knob, Shift	1
25	109-05	Ball, Steel 6mm 62-67 Rc	1				
26	34-32	Spring, Compression - 7/32 x .50	1				
27	102-03	Seal, Oil WBS 30x72x10 NB D/Lip	2				
28	106-03	Retaining Ring #5000-28 1	4				
29	107-02	Retaining Ring N1400-118	2				
30	101-05	Bearing, Ball 6306-2NSEC	2				



3.0 Clutch System



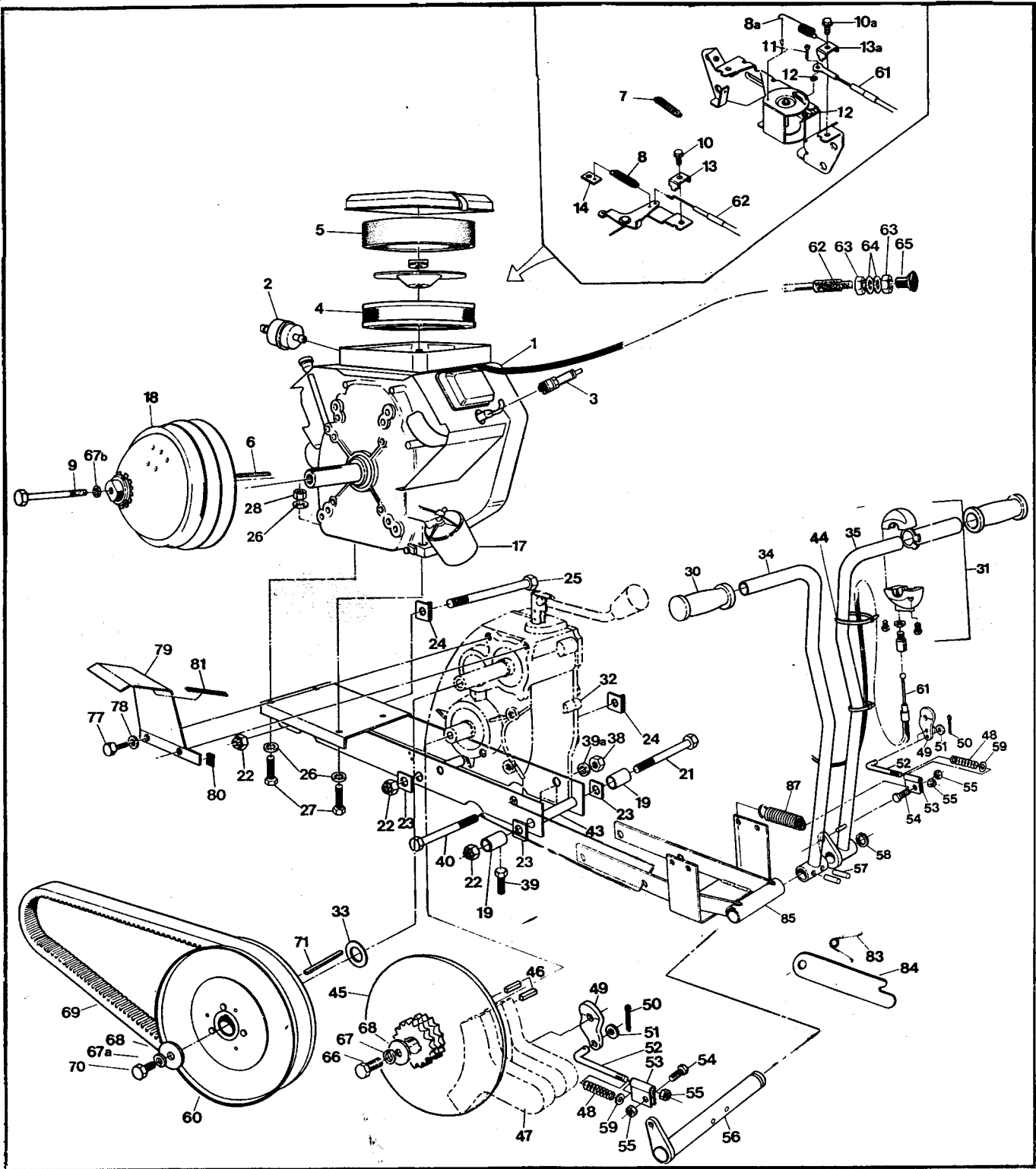
Ref	Part No.	Description	Qty
1	603-81	Duct, Intake	1
2	112-48	Screw, T/S HH #14x2.25 ZN	2
3	112-19	Screw, IHWH T/C Slot 1/4-20x0.5	2
7	120-05	Washer, .195x.50x.040 Zinc	7
8	707-31	Screen, Exhaust	1
9	120-09	Rivet 3/16 x 1	7
10	125-59	Washer, Fibre - .062x.25x.50	7
11a	108-08	Washer, 1/4 SAE Zinc	4
11b	108-08		2
12	120-29	Spacer, .26 IDx1.12 LG	2
13	125-58	Washer, Fibre - W-77F	2
14	707-28	Support, Exhaust Duct	1

Ref	Part No.	Description	Qty
15	120-04	Washer, .195x.50x.08 Zinc	2
17	120-13	Rivet - 3/16 x 5/8	2
18	707-32	Duct, Exhaust	1
19	707-26	Cover, Engine Duct	1
20	707-25	Duct, Engine	1
21	103-11	Screw, IHWH Slot 1/4-20x.50 ZN	3
23	603-82	Seal	1
25	126-57	Spring, Exhaust	2
26	707-15	Muffler	1
27	112-30	SHCS, M8x1.25x20.0 Zinc	4
28	805024	Gasket	2
30	707-05	Manifold, Exhaust	1
31	108-02	Lockwasher, Hi-Collar 5/16, PL	4

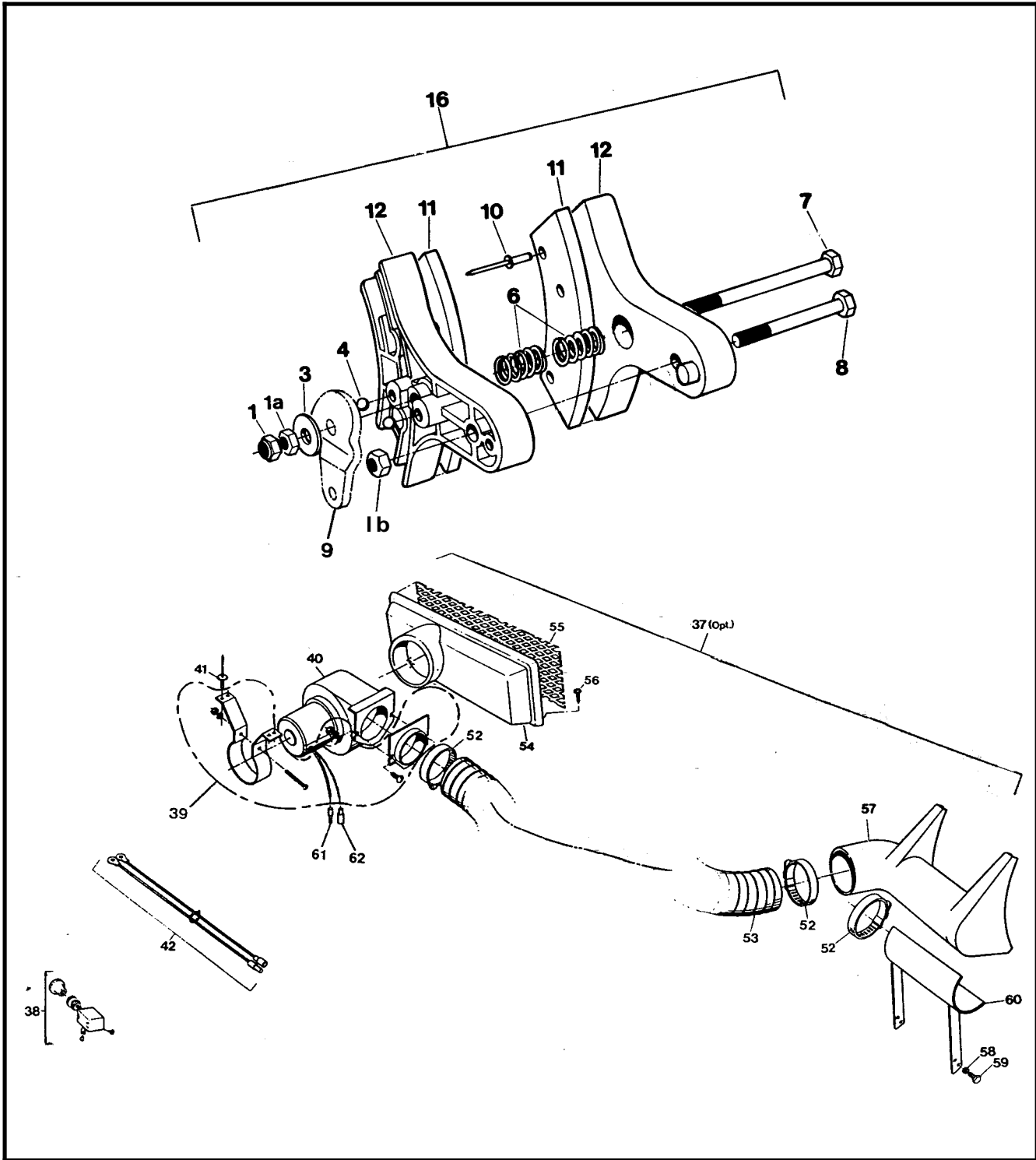
3.0 Clutch System

Ref	Part No.	Description	Qty
1	127-37	Clutch, Driver, keyed incl. Refs 2 to 17, PO DB0004	1
2	V01L41F	Pulley, Half - Fixed	1
3	V021F	Pulley, Half - Sliding	1
4	V046	Lock Screw (use Loctite 242)	1
5	V05BMR-200	Block + 200g Lead Slug Asm	3
6	X-82-200	Slug, Lead 200 g	3
7	V08	Retaining Ring D1400-350	1
8	V08C	Retaining Ring N1408-137	1
9	V09	Spring Guide Plate	1
10	V10-48-108-18	Spring, Blue	1
11	V111	Threaded Cap	1
12	V1203B	Cap, Type "B"	1
14	V05BMR	Block, Red	3
15	V15	Lockwasher	1
16	V162	Locknut	1
17	X-35-MA	Spacer	as req

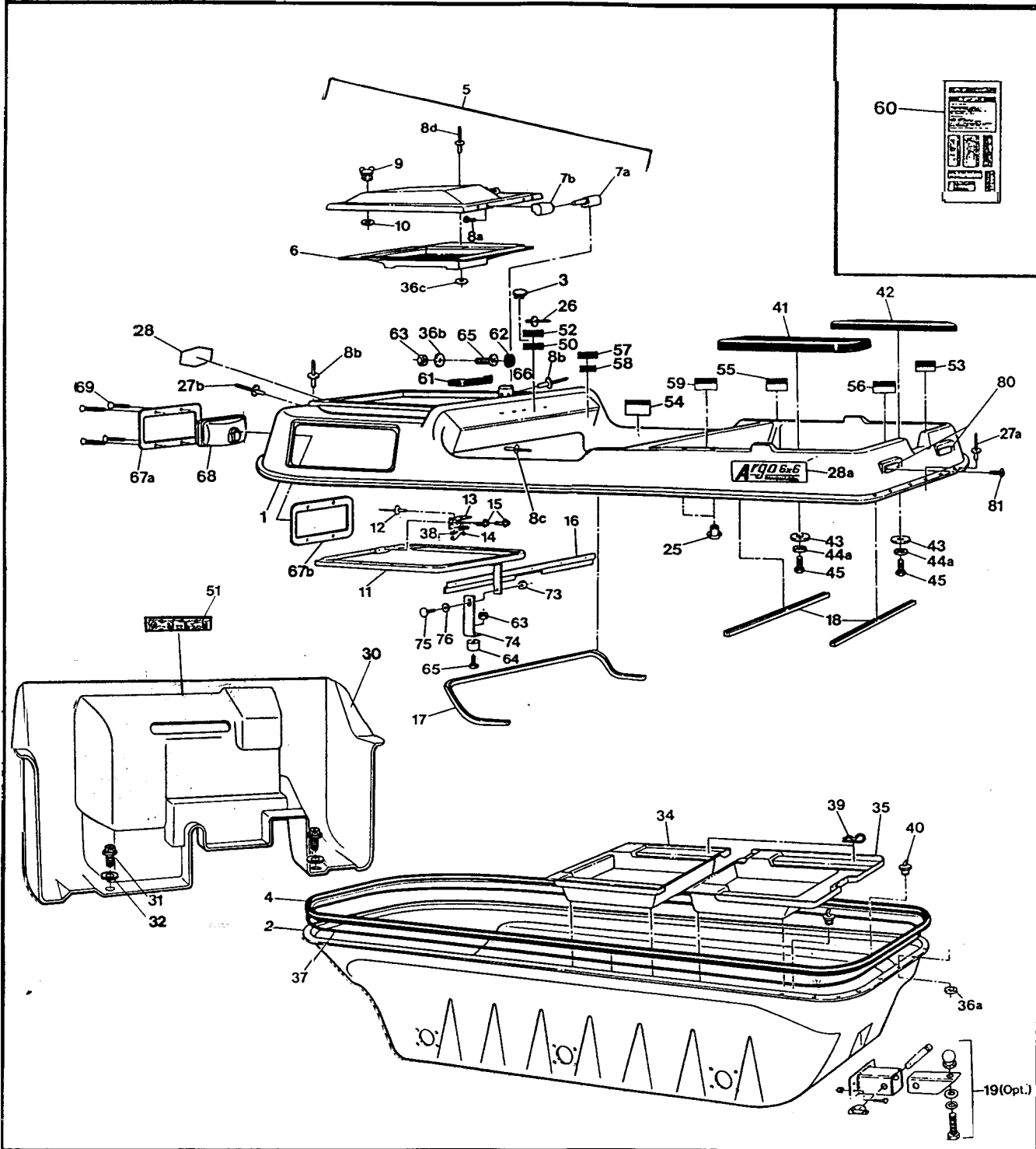
Ref	Part No.	Description	Qty
27	126-24	Clutch, Driven Model "B" SODB0001 incl. Refs 28 to 37	1
28	ASK-5	Key 1/4x1/4x3/4	1
29	ASR-6	Retaining Ring N1400-150	2
30	ASA-1	Spacer .050" Thick	as req
30a	ASA-1-S	Spacer .025" Thick	as req
31	AFK25.4-2500D01	Pulley, Half - Fixed	1
32	AMC-2-2500D01	Pulley, Half - Sliding incl. Refs. 33, 34 and 35	1
33	ANS-2-T	Shoe, Cam	3
34	AMB-2	Bushing, Bronze	1
35	CCP-2-156	Pin, Spirol	1
36	ACS-3-188	Spring, Blue	1
37	AFC-4-C3D4	Cam	1



Ref	Part No.	Description	Qty	Ref	Part No.	Description	Qty
1	126-52	Engine - Vanguard V-Twin 16 HP incl. refs 2-14, 17	1	43	611-66	Frame-Power Pack Van.	1
2		See Section 8.0 Fuel System & Seat Assembly		44	100-64	Tie Wrap - 5.5" - Black	6
3	126-74	Spark Plug #3926	2	45	610-24H	Brake Disc-#40-2x15T w/hole	2
4	394018	Cartridge - Air Cleaner (BS#)	1	46	110-14	Key 1/4x1/4x1.25	4
5	271271	Element - Air Cleaner (BS#)	1	47		See Section 5.0 Brake System	
6	110-03	Key 1/4x3/16x2.375 RC46	1	48	127-48	Spring, Comp. .54x1.90	2
7	127-31	Spring, Governor - Green	1	49	612-41	Brake Cam	2
8	125-88	Spring, Return	1	50	100-03	Pin, Cotter 3/32x.750 Zinc	2
8a	127-49	Spring, Return	1	51	108-24	Washer 5/16 SAE Zinc	2
9	112-28	HHCS, 3/8-24x4.5 GR5 Zinc	1	52	612-21	Brake Adjusting Rod	2
10	805169	Screw-Hex Head (BS #)	1	53	612-20	Steering Rod Clamp	2
10a	805169	Screw-Hex Head (BS #)	1	54	103-46	HHCS 5/16-24x1.00 Zinc	2
13	805170	Clamp - Casing (BS#)	1	55	117-04	Locknut, Nylon 5/16-24 Zinc	4
13a	805170	Clamp - Casing (BS#)	1	56	612-81	Steering Shaft Asm.	1
14	601-86	Clip, Retainer	1	57	111-04	Pin, Spirol 5/16x1.50	2
17	126-95	Filter, Oil	1	58	107-01	Retaining Ring, NI400-87	1
18		See Section 3.0 Clutch		59	108-24	Washer - .34x.70x.06 Zinc	2
19	811-14	Spacer	2	60		See Section 3.0 Clutch System	
21	103-37	HHCS 5/8-11x10.00 Gr5 Zc	1	61	612-77	Cable Asm, Throttle	1
22	117-56	Locknut, Nylon 5/8-11 Zinc	3	62	612-92	Cable Asm, Choke - Van. incl. 63	1
23	811-09	Washer, Square .64ID	3	63		Jam Nut, 5/16-24, Part of 62	2
24	811-10	Washer Asm, Square	2	64	108-24	Washer 5/16 SAE Zinc	2
25	103-52	HHCS 5/8-11x7.50 Gr5 Zc	2	65	126-75	Knob, Choke - Black	1
26	108-24	Washer 5/16 SAE Zinc	8	66	103-18	HHCS 3/8-24x1.25 GR5Zinc	2
27	112-27	HHCS 5/16-18x1.75 GR5ZN	4	67	108-06	Lockwasher, 3/8 S/R, Zinc	2
28	117-21	Locknut, Nylon 5/16-18 Zinc	4	67a	108-06	Lockwasher, 3/8 S/R, Zinc	1
30	127-35	Grip, Molded	2	67b	108-06	Lockwasher, 3/8 S/R, Zinc	1
31	100-57	Throttle Twist Grip	1	68	108-18	Washer 13/32x1.375x11GA	3
32		See Section 1.0 Transmission		69	125-56	Drive Belt	1
33	108-36	Washer .06x1.00x1.375 Zinc	as req	70	103-34	HHCS 3/8-16x1.25 GR5Zinc	1
34	612-98	Lever, Steering - LH	1	71	110-09	Key 1/4x1/4x3.0	1
35	612-99	Lever, Steering - RH	1	77	103-17	HHCS 3/8-16x1.00 GR5Zinc	2
38	117-06	Nut, Fin Hex 1/2-13 Zinc	2	78	108-26	Washer 3/8 Zinc	2
39	103-53	HHCS 3/8-16x3.0 Full Thread	2	79	603-29	Guard, Belt Protect	1
39a	108-07	Lockwasher 1/2 Zinc	2	80	601-92	Vinyl Trim, 1.5"	1
40	112-52	HHCS 1/2-13x7.0 GR5Zinc	2	81	601-93	Vinyl Trim - 4.25"	1
				83	126-87	Spring, Parking Brake	1
				84	612-80	Holding Brake Lever	1
				85	612-94	Bracket Asm., Mech. Brake	1
				87	127-33	Spring, Extension - Strg Lever	2

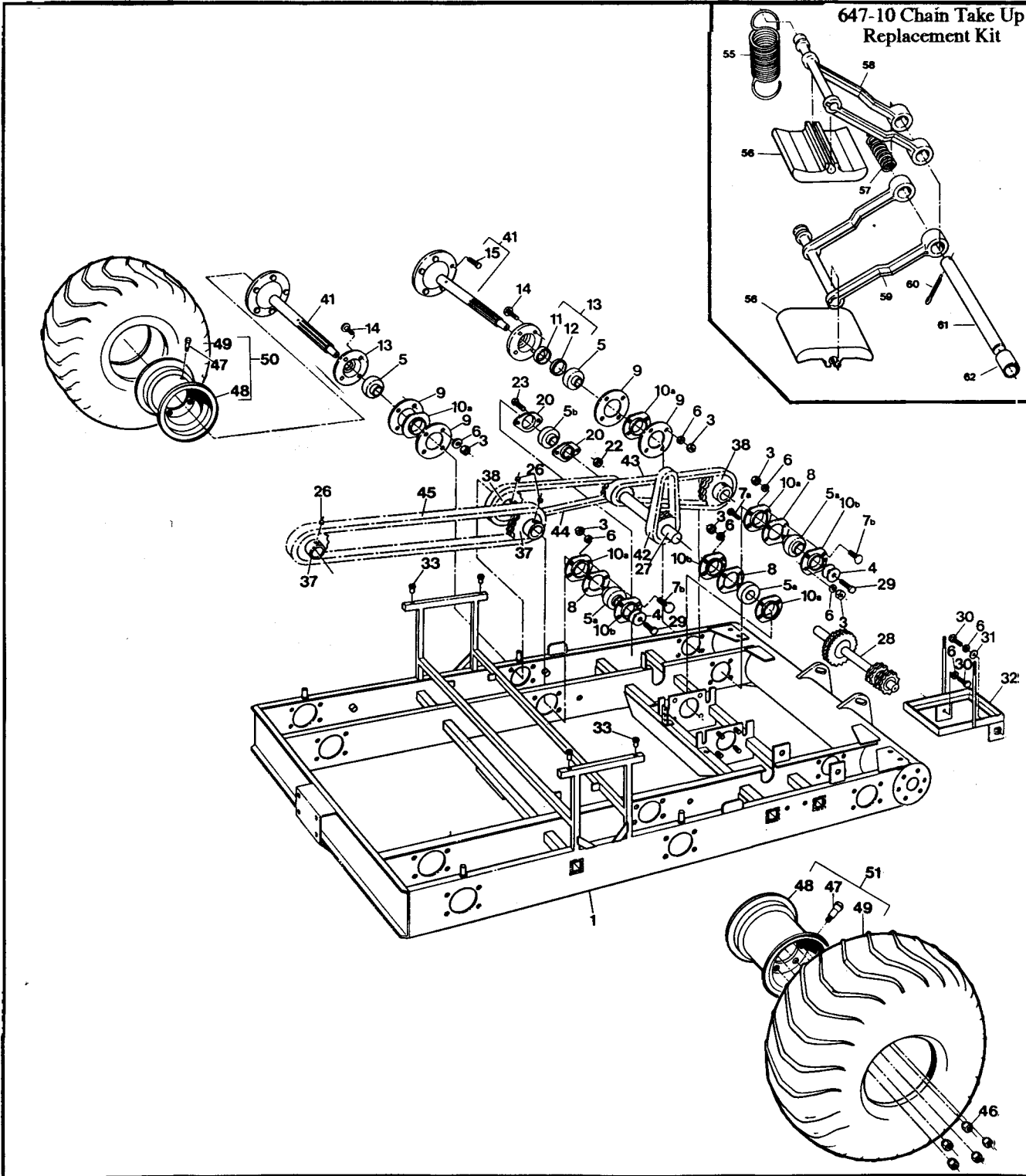


Ref	Part No.	Description	Qty	Ref	Part No.	Description	Qty
1	117-46	Locknut, 2-way 5/16-24 ZN	1x2	37	668-03	Brake Cooling Kit-Van2 (incl. Refs 38 to 62)	1
1a	117-46	Locknut, 2-way 5/16-24 ZN	1x2	38	100-62	Switch, Light	1
1b	117-46	Locknut, 2-way 5/16-24 ZN	1x2	39	125-92	Adpt. & Mounting Kit (incl. Refs 43 to 50)	
3	108-12	Washer, .34x1.00x.06 Zinc	1x2	40	125-91	Blower Fan	1
4	109-02	Ball, Steel 1/4 Chromesteel	2x2	41	120-13	Rivet 3/16"x5/8	4
6	100-10	Spring, Compression	2x2	42	613-05	Wire Harness	1
7	103-16	HHCS 5/16-24x3.75 GR8ZN	1x2	43		Mounting Bracket	1
8	103-29	HHCS 5/16-24x2.75 GR8ZN	1x2	44		Nut, #10-32	1
9		See Section 4.0-Power Pack Assembly		45	See	Lockwasher, 3/16"	1
10	120-11	Rivet, 5/32x9/16	8x2	46	125-92	Screw, #10-32 x 2"	1
11	100-56	Brake Pad, Set of 2	1x2	47	above	Nut, 1/4-20	2
12	100-54	Caliper, Brake	2x2	48		Lockwasher, 1/4"	2
16	100-72a	Brake Assembly (incl. Refs. 1 to 8, 10 to 12)	1x2	49		Screw, 1/4-20 x 5/8"	2
				50		Adaptor, 3" dia.	1
				52	125-35	Clamp, Gear 3.50" HF-52	3
				53	127-44	Hose, Intake 3" dia. x 46"	1
				54	601-89	Intake Flange (specify clr)	1
				55	126-61	Intake Screen	1
				56	112-56	Pan HD Phil T/S #10x3/4 A Zinc	4
				57	127-39	Brake Cool Air Duct	1
				58	108-03	Lockwasher 1/4 Split Ring	4
				59	112-19	Screw, IHWH T/C Slot 1/4-20x1/2	4
				60	668-11	Mounting Bracket - Duct	1
				61	118-02	Terminal, Male-#76-1251	1
				62	118-03	Terminal, Female - #76-1289	1



Ref	Part No.	Description	Qty
1	601-32	Body + Hood, Upper-Van. Replacement, specify colour (incl. Ref. 5b, 11, 12, 13, 14, 15)	1
2	603-91	Body, Lower - 6x6, specify colour	1
3	127-28	Plug, Nylon - Black	1
4	601-05	Bumper, Vinyl - 6x6	1
5	602-37	Hood Kit - Vanguard specify colour (incl 6 to 10, & 36c)	1
6	801-47	Duct, Intake Transition specify colour	1
7a	127-45A	Pin, Hinge	2
7b	127-45B	Knuckle, Hinge	2
8a	103-47	HHCS, 10-24X3/8	8
8b	120-13	Rivet 3/16x5/8	7
8c	120-13	Rivet 3/16x5/8	5
8d	120-09	Rivet, 3/16x1	5
9	126-10	Wing Stud	1
10	126-09	Grommet, Alum. #GH-7	1
11	602-24	Hood Support Assembly	1
12	120-15	Rivet, 1/8x7/16	2
13	601-69	Spring Plate	1
14	126-11	Spring	1
15	112-19	Screw, IHWH T/C Slot 1/4-20 x 0.5"	2
16	602-29	Brace, Dash	1
17	601-08	Vinyl Trim, 84"	1
18	601-09	Vinyl Trim, 28"	2
19	626-10	Hitch Kit (Opt.)	1
25	117-44	T-Nut 1/4-20 PL	4
26	120-24	Rivet, Alum. 3/32x3/8 - all plates	38
27a	120-09	Rivet, 3/16x1	46
27b	120-09	Rivet, 3/16x1	25
28	601-44	Nameplate, "Argo"	1
28a	127-41	Nameplate, 6x6 Vanguard2	2
30	609-36	Firewall - Vanguard	1
31	103-72	Screw, IHWH T/C Slot 1/4-20x3/4	2
32	108-08	Washer, 1/4 SAE Zinc	2

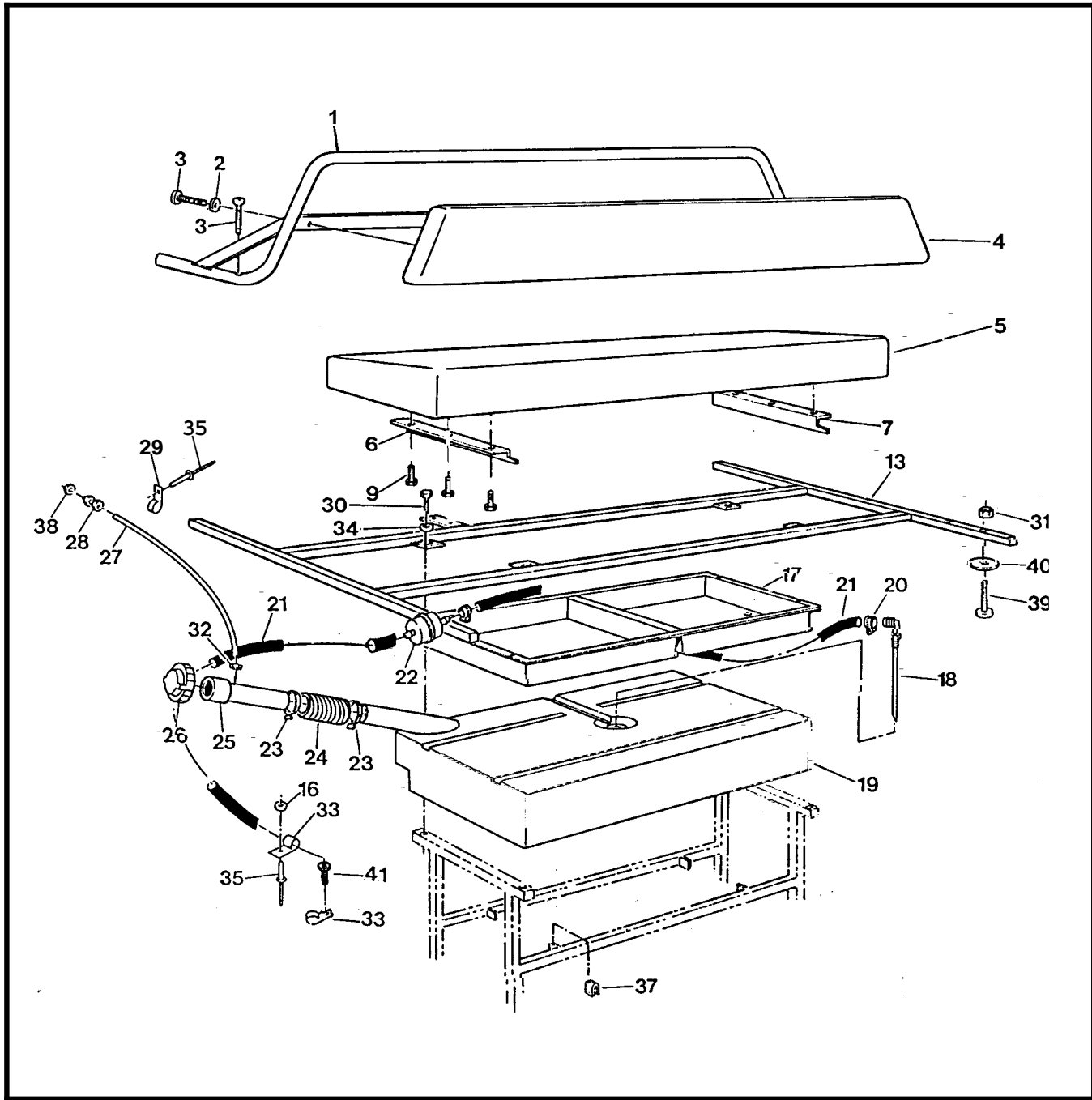
Ref	Part No.	Description	Qty
34	803-02	Floor Pan, Front specify colour	1
35	603-03	Floor Pan, Rear 6x6 specify colour	1
36a	120-04	Washer, .195IDx.50ODx.08 Zc	46
36b	120-05	Washer, .195x.50x.04 Zc	2
36c	120-04	Washer, .195IDx.50ODx.08Zc	5
37	126-60	Vinyl Strip 1/2"x1/4"x37.5"	1
38	120-05	Washer .19x.50x.04 Zinc	2
39	100-16	Clip, Hitch Pin 1.625 Zinc	4
40	100-18	Plug, Drain 5/8" x 13/32"	2
41	601-03	Seat, Rear LH - 6x6	1
42	601-02	Seat, Rear RH - 6x6	1
43	603-15	Washer, Plastic	2
44a	108-01	Washer, Fender 1/4 SAE Zc	2
45	103-08	HHCS 1/4-20x1.00 Zinc	2
50	126-72	Plate, Holding Brake	1
51	126-65	Shifting Plate	1
52	127-26	Steering Lever Plate & Winch	1
53	126-67	Floor Pan Plate	1
54	126-68	Operation Plate	1
55	126-69	Fuel Plate	1
56	126-70	Vehicle Capacity Plate	1
57	126-64	Vehicle ID Plate	1
58		U.S. Plate, Non-U.S. Argos only	1
59	127-51	Plate, Capacity - 6x6	1
60	126-73	French Decals, inc. 51-58 available as set only	1
61	125-41	Dash Handle, incl. 62	1
62		Plug cap, avail. only with 61	2
63	117-10	Locknut, Nylon #10-24 Zinc	3
64	126-88	Bumper, Rubber	1
65	103-25	PHMS #10-24x3/4" Zinc	3
66	602-38	Clip, Hood	1
67a	613-75	Bezel, Headlamp	2
67b	613-76	Bracket, Headlight Backing	2
68		See Section 9.0 Electrical System	
69	103-24	OHPS T/S #6x1.00 Black	8
73	117-15	Nut, Fin. Hex 3/8-16 Zinc	1
74	602-27	Support, Adjustable	1
75	103-89	C/Bolt 3/8-16x.75 Gr2 Zinc	1
76	108-06	Lockwasher, 3/8 S/R, Zinc	1
80	127-01	Reflector, Red	2
81	103-48	Pan HD PHIL T/S #10x5/8 A Zinc	4



Vanguard Parts Manual

7.0 Frame and Drive System

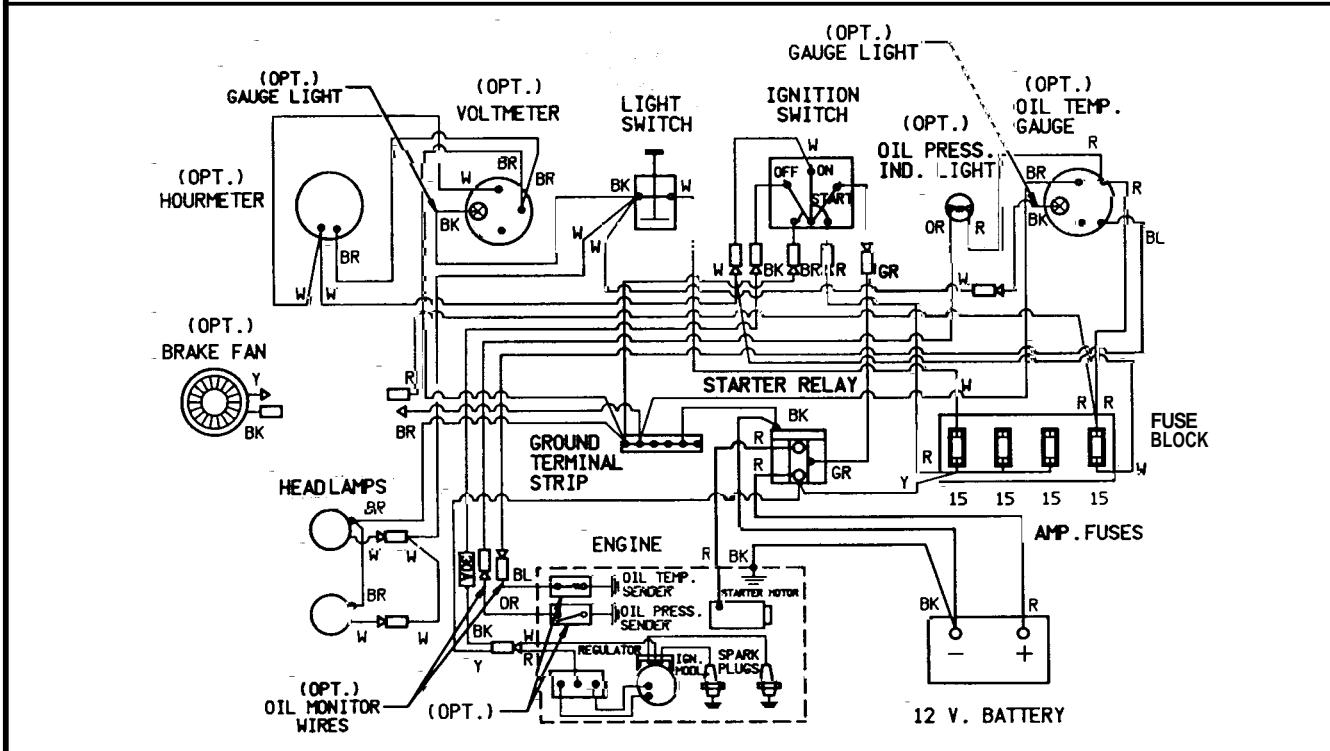
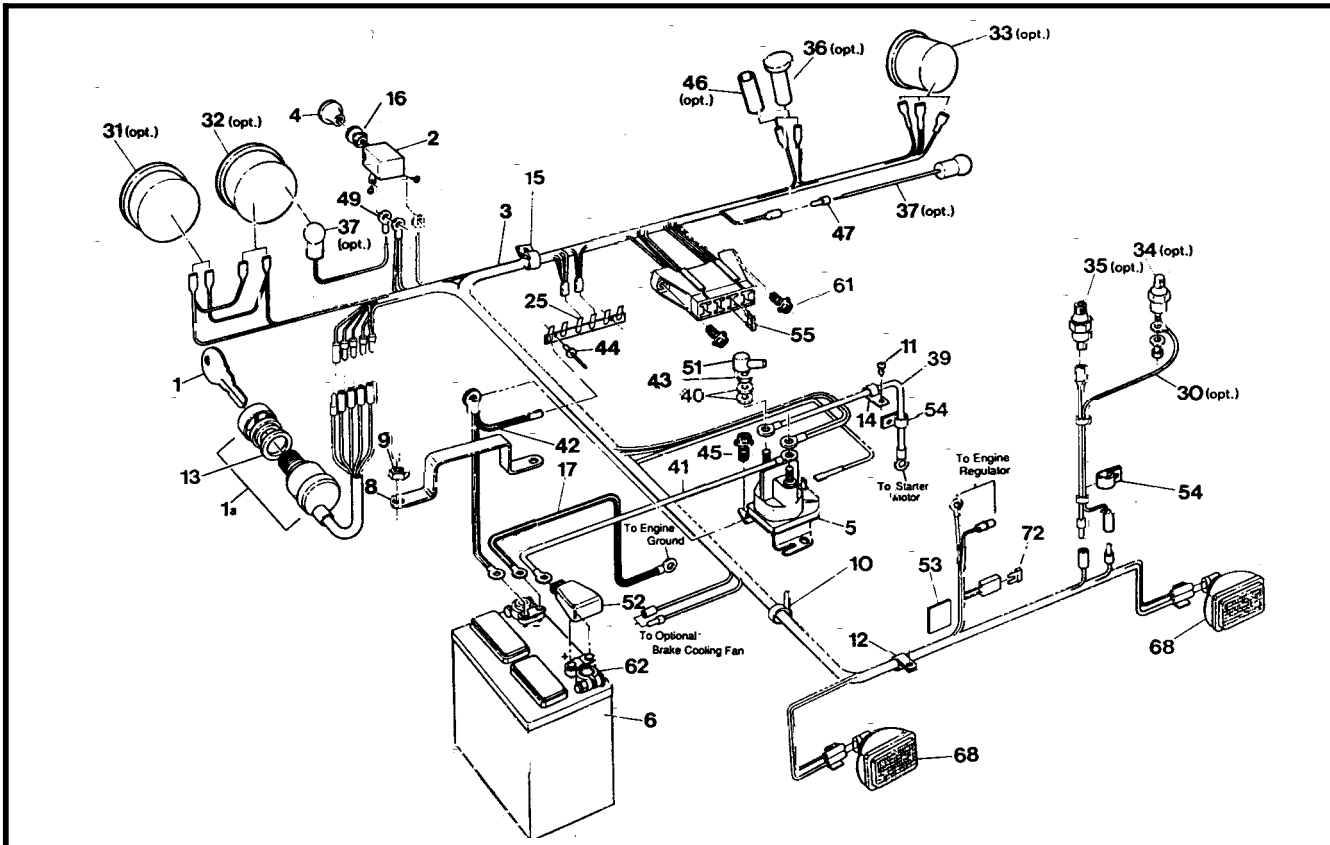
Ref	Part No.	Description	Qty	Ref	Part No.	Description	Qty
1	606-50	Frame Asm - 6x6 Van55	1	37	810-29	Sprocket, M/R Axle - 19T	4
3	117-15	Nut, Fin Hex 3/8-16 Zinc	56	38	810-28	Sprocket, Front Axle - 24T	4
4	108-46	Washer 13/32x1.375 Hi-Carb	12	41	810-75	Axle Asm (incl. Ref 15)	6
5	101-35	Bearing, Ball #1030-1.1/4GFS	6	42	603-22	Chain, Idler RC40-2x46P (incl. Ref 54)	2
5a	101-41	Bearing, Ball #1030-1GFS	8	43	603-17	Chain, RC50-2x42P-Frt. (incl. Ref 53)	2
5b	101-30	Bearing, Ball 1.0 Setscrew	2	44	603-20	Chain, RC50-2x70P-Mid. (incl. Ref 53)	2
6	108-06	Lockwasher, 3/8" S/R Zc	58	45	603-21	Chain, RC50-2x96P-Rear (incl. Ref 53)	2
7a	103-17	HHCS 3/8-16x1.00 GR5 Zc	2	46	117-35	Nut, Wheel 7/16-20 Zinc	5x6
7b	103-88	C/Bolt 3/8-16x1.00 GR5 Zc	22	47	125-26	Valve, Tire (See Ref. 48)	6
8	605-99	Gasket, Flange	8	48	125-15C	Rim, 8x7-5 Bolt c/w valve (incl. Ref 47)	6
9	605-89	Gasket, Outer Brg Flange	12	49	126-96	Tire, Goodyear Runamuk 22x10-8	6
10a	605-63	Flange, Bearing - Outer	14	50	126-98C	Tire & Rim Assem. - LH (incl. Refs 48 & 49)	3
10b	101-20	Flange Assem., Bearing	8	51	126-97C	Tire & Rim Assem. - RH (incl. Refs 48 & 49)	3
11	102-14	Seal, Oil CR#12361	6	53	100-96	Con. Link, RC50-2 H.D.	1x6
12	102-15	Seal, Oil CR#12379	6	54	100-97	Con. Link, RC40-2 H.D.	1x2
13	605-97	Flange Assem., Outer (uses Ref. 11 & 12)	6	55	125-61	Spring, Tensioner	1x4
14	112-39	C. Bolt, 3/8-16x1.75" GR5 Zc	24	56	603-61	Slider Block	2x4
15	103-80	Stud, Wheel 7/16-20x1.125	5x6	57	125-78	Spring, Spacer	1x4
20	101-14	Flangette - 2 Hole - Trim 1"	4	58	603-77	Upr Chn Tensioner Arm	1x4
22	117-04	Locknut, Nylon 5/16-24 Zinc	4	59	603-76	Lwr Chn Tensioner Arm	1x4
23	103-46	HHCS 5/16-24x1.00 GR5 Zc	4	60	100-01	Pin, Cotter 1/8x1.5" Zinc	1x4
26	112-03	SHSS 5/16-18x3/8 1/2 DOG,PL	6	61	603-78	Pivot Pin	1x4
27	606-30	Idler Asm - L 4x11T 2x24T	1	62	603-66	Spacer, .500 ID x .625 lg	1x4
28	606-31	Idler Asm - R 4x11T 2x24T	1	.	647-10	Chain Take Up Replacement Kit (incl. Refs 55 thru 62 as shown)	4
29	112-31	HHCS 3/8-16x1.0 2B GR8 Zc	6				
30	112-14	HHCS 3/8-16x.750 Gr5 Zc	2				
31	108-15	Washer 3/8 SAE Zinc	1				
32	604-84	Frame Asm. - Battery	1				
33	117-64	Insert, 1/4-20	4				



Vanguard Parts Manual

7.0 Frame and Drive System

Ref	Part No.	Description	Qty	Ref	Part No.	Description	Qty
1	606-50	Frame Asm - 6x6 Van55	1	37	810-29	Sprocket, M/R Axle - 19T	4
3	117-15	Nut, Fin Hex 3/8-16 Zinc	56	38	810-28	Sprocket, Front Axle - 24T	4
4	108-46	Washer 13/32x1.375 Hi-Carb	12	41	810-75	Axle Asm (incl. Ref 15)	6
5	101-35	Bearing, Ball #1030-1.1/4GFS	6	42	603-22	Chain, Idler RC40-2x46P (incl. Ref 54)	2
5a	101-41	Bearing, Ball #1030-1GFS	8	43	603-17	Chain, RC50-2x42P-Frt. (incl. Ref 53)	2
5b	101-30	Bearing, Ball 1.0 Setscrew	2	44	603-20	Chain, RC50-2x70P-Mid. (incl. Ref 53)	2
6	108-06	Lockwasher, 3/8" S/R Zc	58	45	603-21	Chain, RC50-2x96P-Rear (incl. Ref 53)	2
7a	103-17	HHCS 3/8-16x1.00 GR5 Zc	2	46	117-35	Nut, Wheel 7/16-20 Zinc	5x6
7b	103-88	C/Bolt 3/8-16x1.00 GR5 Zc	22	47	125-26	Valve, Tire (See Ref. 48)	6
8	605-99	Gasket, Flange	8	48	125-15C	Rim, 8x7-5 Bolt c/w valve (incl. Ref 47)	6
9	605-89	Gasket, Outer Brg Flange	12	49	126-96	Tire, Goodyear Runamuk 22x10-8	6
10a	605-63	Flange, Bearing - Outer	14	50	126-98C	Tire & Rim Assem. - LH (incl. Refs 48 & 49)	3
10b	101-20	Flange Assem., Bearing	8	51	126-97C	Tire & Rim Assem. - RH (incl. Refs 48 & 49)	3
11	102-14	Seal, Oil CR#12361	6	53	100-96	Con. Link, RC50-2 H.D.	1x6
12	102-15	Seal, Oil CR#12379	6	54	100-97	Con. Link, RC40-2 H.D.	1x2
13	605-97	Flange Assem., Outer (uses Ref. 11 & 12)	6	55	125-61	Spring, Tensioner	1x4
14	112-39	C. Bolt, 3/8-16x1.75" GR5 Zc	24	56	603-61	Slider Block	2x4
15	103-80	Stud, Wheel 7/16-20x1.125	5x6	57	125-78	Spring, Spacer	1x4
20	101-14	Flangette - 2 Hole - Trim 1"	4	58	603-77	Upr Chn Tensioner Arm	1x4
22	117-04	Locknut, Nylon 5/16-24 Zinc	4	59	603-76	Lwr Chn Tensioner Arm	1x4
23	103-46	HHCS 5/16-24x1.00 GR5 Zc	4	60	100-01	Pin, Cotter 1/8x1.5" Zinc	1x4
26	112-03	SHSS 5/16-18x3/8 1/2 DOG,PL	6	61	603-78	Pivot Pin	1x4
27	606-30	Idler Asm - L 4x11T 2x24T	1	62	603-66	Spacer, .500 ID x .625 lg	1x4
28	606-31	Idler Asm - R 4x11T 2x24T	1	.	647-10	Chain Take Up Replacement Kit (incl. Refs 55 thru 62 as shown)	4
29	112-31	HHCS 3/8-16x1.0 2B GR8 Zc	6				
30	112-14	HHCS 3/8-16x.750 Gr5 Zc	2				
31	108-15	Washer 3/8 SAE Zinc	1				
32	604-84	Frame Asm. - Battery	1				
33	117-64	Insert, 1/4-20	4				

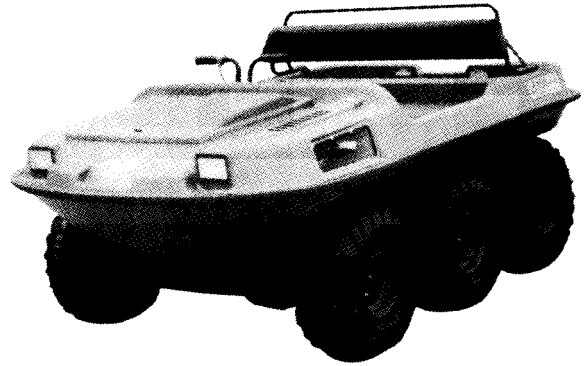


Ref	Part No.	Description	Qty	Ref	Part No.	Description	Qty
1	100-39A	Key	1	41	613-26	Power Cable	1
1a	126-17	Ignition Switch, incl. Ref 1	1	42	613-58	Ground Wire	1
2	100-62	Switch, Light	1	43	117-20	Nut, Fin. Hex, 1/4-20Zinc	2
3	613-71	Main Wire Harness, incl. Fuse Holder	1	44	120-15	Rivet, 1/8x7/16	2
4	126-76	Knob, Light	1	45	112-19	Screw, IHWH T/C slot 1/4-20x1/2	2
5	613-68	Starter Relay	1	46	118-48	Heat Shrink, 2 x 1/2 (opt.)	1
6	127-54	Battery	1	47	118-02	Terminal, Male-#76-1251-88	1
8	604-52	Battery Retaining Bracket	1	49	118-30	Terminal, Eye - #10	1
9	117-21	Locknut, Nylon 5/16-18 Zinc	2	51	613-45	Terminal Insulator (6 ga.)	1
10	100-64	Tie Wrap, 5.5" - Black	8	52	127-55	Cap, Battery Terminal-Red	1
11	103-48	Pan HD PHIL, T/S #10x5/8 A Zinc	1	53	702-06	Foam Cushion	2
12	126-93	Clamp, Nylon Wire -1/2" ID	10	54	126-83	Clip, Hose 5/16 I.D. #C-950PC	2
13	108-57	Washer, 3/4" ID, Tooth Lock	1	55	118-49	Fuse , 15 Amp, 2-prong (AT015)	4
14	126-93	Clamp, Nylon Wire - 1/2" ID	1	61	112-51	screw, IHWH T/C#10-24x5/8	2
15	127-24	Clamp, Nylon - 1" ID	1	62	127-56	Terminal, Bat. Post	2
16	108-55	Lockwasher, Ext. Tooth 7/16	1	68	613-69	Headlamp, Halogen	2
17	613-18	Ground Wire	1	72	118-51	Fuse, 30A 2-prong (AT030)	1
25	613-37	Ground Terminal Strip	1				
30	613-38	Oil Monitor Wires (opt.)	1				
31	632-15	Hourmeter, #56548- 10 (#876EM) (opt.)	1				
32	633-10	Voltmeter, #07583- 15 (#830EM) (opt.)	1				
33	634-11	Oil Temp. Gauge #07556-88 (#828EM) (opt.)	1				
34	634-12	Oil Temp. Sender #02024-00 (opt.)	1				
35	52.099.06	Oil Pressure Switch, 6 psi (opt.) (Kohler #)	1				
36	634-08	Engine Oil Pressure Light (opt.)	1				
37	634-10	Light Kit, #06215-00 5/8" dia., see Ref. 32,33 (opt)	2				
39	613-49	Cable Starter	1				
40	108-03	Lockwasher, 1/4 Zinc	5				

ARGO Products Manufactured by:

Ontario Drive & Gear Limited
P.O. Box 280, Bleams Road
New Hamburg, Ontario
CANADA NOB 2G0
Phone: (519) 662-2840
Fax: (519) 662-2421

ODG *Dedicated to quality and performance*



ARGO

VANGUARD

PARTS MANUAL

Model No. V697-51
From Serial #S8131

Foreword

ODG has prepared this manual for the **VANGUARD** model to assist both qualified mechanics and vehicle owners in ordering correct, quality replacement **ARGO** parts.

Proper and regular service, and replacing old, worn or broken parts with the correct **ARGO** replacement parts, are both essential to prolonging the life of the **ARGO**. Please refer to this parts manual before ordering any replacement part.

All information contained in this **VANGUARD** Parts Manual is based on the latest product specification available at time of printing. If your **VANGUARD** differs from the specifications contained in this manual, **contact Ontario Drive & Gear Limited for information.**

ODG reserves the right to alter specifications on the **VANGUARD** model at any time, without obligation or prior notification.

Reproduction of the **VANGUARD** Parts Manual No. 697-51, in whole or in part, is prohibited without prior written permission from **Ontario Drive & Gear Limited.**

Model Identification

VANGUARD - Model No. V697-51

Explanation of Parts Manual Format

Ref	- Reference number between Assembly Diagram and Component Parts List
Part No.	- Argo replacement part number for identification and re-ordering
Description	- Part description for identification and re-ordering
Qty	- Indicates the quantity of a part used in an Assembly

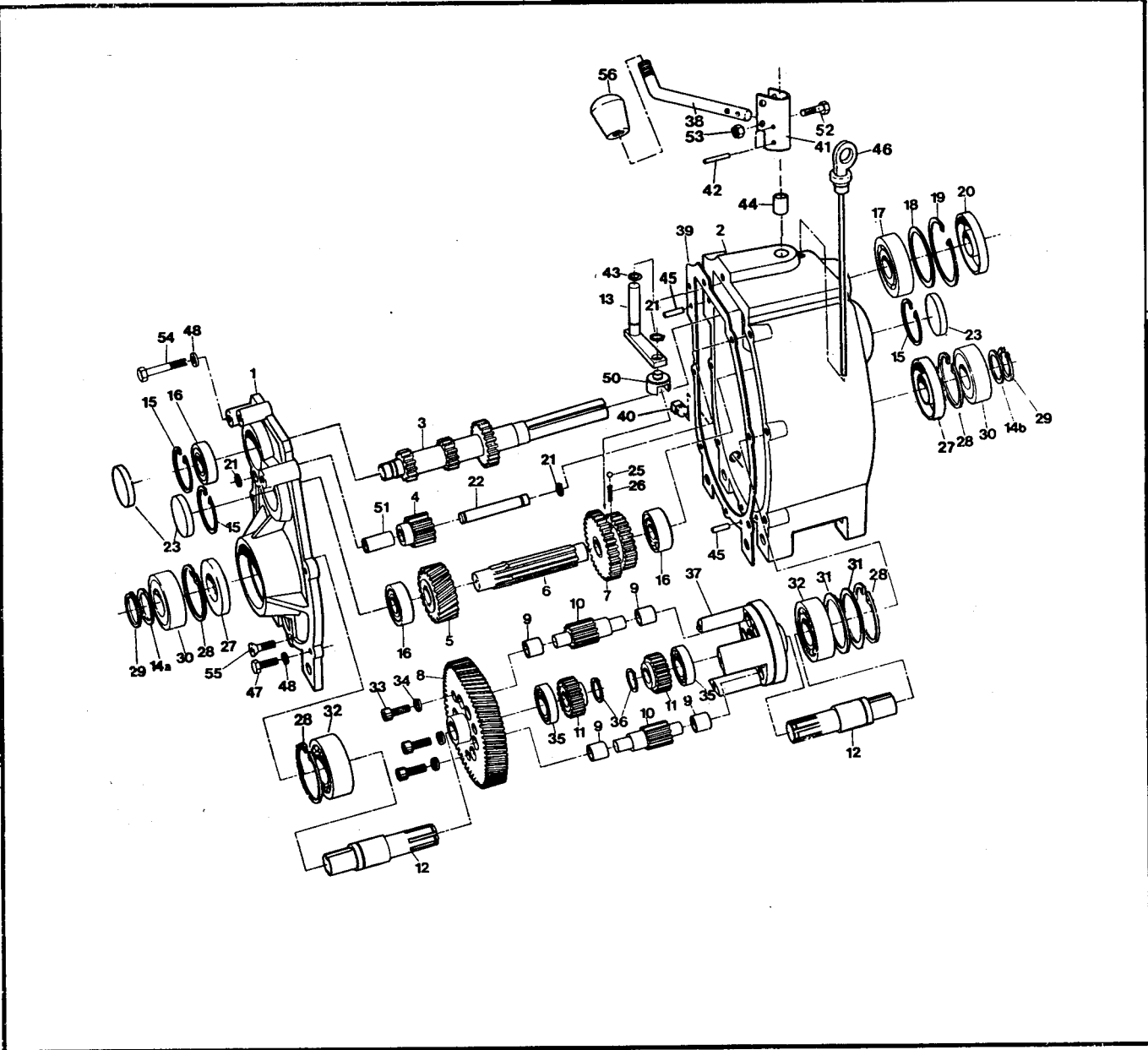


Using the Parts Manual

1. Find the major vehicle assembly in the Table of Contents on this page, and turn to that section.
2. Locate the part in the illustration that you wish to order.
3. Refer to the parts list in that section.
4. Find the correct part number (Part No.), part description (Description) and correct quantity (Qty).
5. Use only this information to order ARGO replacement parts. DO NOT attempt to order a replacement part by Ref number or Page number.

Table of Contents

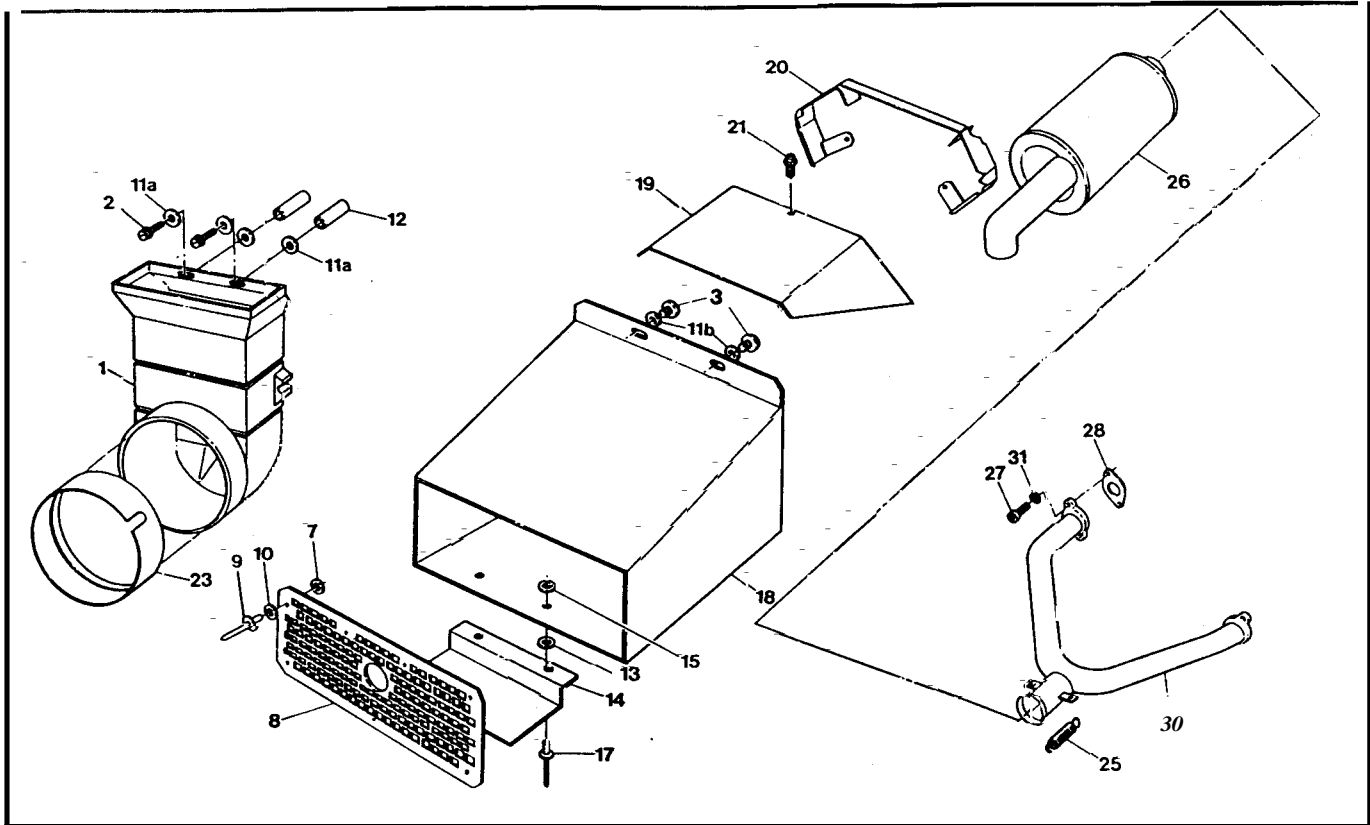
Foreword.....	i
Model Identification.....	.i
Using the Parts Manual.....	ii
1.0 Transmission.....	1
2.0 Intake and Exhaust System.....	3
3.0 Clutch System.....	3
4.0 Power Pack Assembly	5
5.0 Brake System.....	7
6.0 Vehicle Body & Firewall.....	9
7.0 Frame & Drive System.....	11
8.0 Fuel System & Seat Assembly	13
9.0 Electrical System.....	15



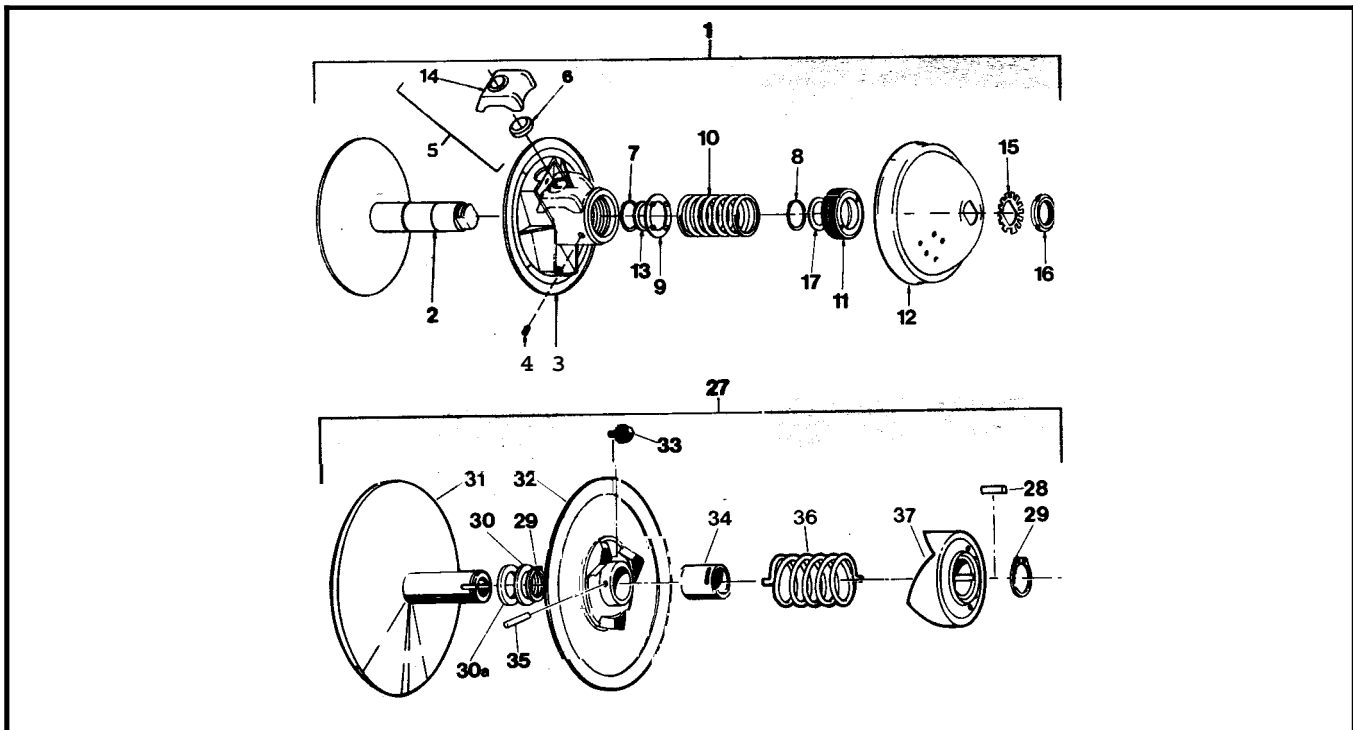
Ref	Part No.	Description	Qty
•	10-17HU	Transmission Asm - HU does not include Refs 38, 52, 53 & 56	
1	34-68	Cover, Transmission	1
2	34-99	Housing, Transmission	1
3	34-21	Shaft, Input - 13/21T	1
4	34-16A	Gear, Idler 13 T (incl. Ref. 51)	1
5	34-96	Gear, Helical - 26T-H	1
6	34-94	Shaft, Spline	1
7	34-91	Gear, Double - 26/33T	1
8	34-43	Gear Plate - 71T-H	1
9	105-03	Bushing, Oilite 1/2 x 3/4	12
10	34-13	Gear, Planet - 12T	6
11	34-14	Gear, Sun - 21T	2
12	34-81	Shaft, Output	2
13	34-65	Shifter Asm	1
14a	114-04	Washer, Shim .040 Thk	1
14b	114-05	Washer, Shim .020 Thk	1
15	106-01	Retaining Ring	3
16	101-01	Bearing, Ball 6204Z-C3	3
17	101-16	Bearing, Ball 6206-C3	1
18	114-02	Washer, Shim	as req.
19	106-05	Retaining Ring	1
2c	102-05	Seal, Oil WBS 30x62x10	1
21	107-05	Retaining Ring	3
22	34-11	Pin, Dowel 1/2 x 3.50	1
23	31-07	Plug plate	3
25	109-05	Ball, Steel 6mm 62-67 Rc	1
26	34-32	Spring, Compression - 7/32 x 0.50	1
27	102-03	Seal, Oil WBS 30x72x10	2
28	106-03	Retaining Ring	4
29	107-02	Retaining Ring	2
30	101-05	Bearing, Ball 6306-2NSE C3	2

Ref	Part No.	Description	Qty
31	114-01	Washer, Shim .020x2.25x2.81	2
32	101-03	Bearing, Ball 6207-C3	2
33	103-04	SHCS 5/16-18 x 1.00 Bare	3
34	108-02	Lockwasher, Hi-Collar 5/16 Bare	3
35	101-15	Bearing, Ball 6005-C3	2
36	107-04	Retaining Ring	2
37	34-08	Cage	1
38	610-67	Lever, Shift	1
39	34-47	Gasket, Cover - 1/64"Thk	1
40	103-02	Plug, Magnetic 3/8 - 18 NPT Sq. Hd	1
41	34-86	Holder, Shift Lever	1
42	111-01	Pin, Spring 5/32 x 1.00	2
43	113-01	O-Ring 012-7147	1
44	105-02	Bushing, Oilite 1/2x 1.0	1
45	104-03	Pin, Dowel 1/4x 7/8	2
46	34-75	Dipstick - with Breather	1
47	103-06	HHCS 5/16-18x1.00 GR5 Zinc	4
48	108-05	Lockwasher 5/16 Zinc	7
50	34-63	Shift Yoke	1
51	105-05	Bushing, Oilite 1/2 x 1.5 (in Ref 4)	1
52	103-97	HHCS 1/4-20x1.25 GR5 Zinc	1
53	117-27	Locknut, Nylon 1/4-20 zinc	1
54	103-84	HHCS 5/16-18x2.25 GR5 Zinc	3
55	103-95	FHSC 5/16-18x1.0 GR8 Zinc	1
56	126-3a	Knob, Shift	1

2.0 Intake and Exhaust System Vanguard Parts Manual



3.0 Clutch System



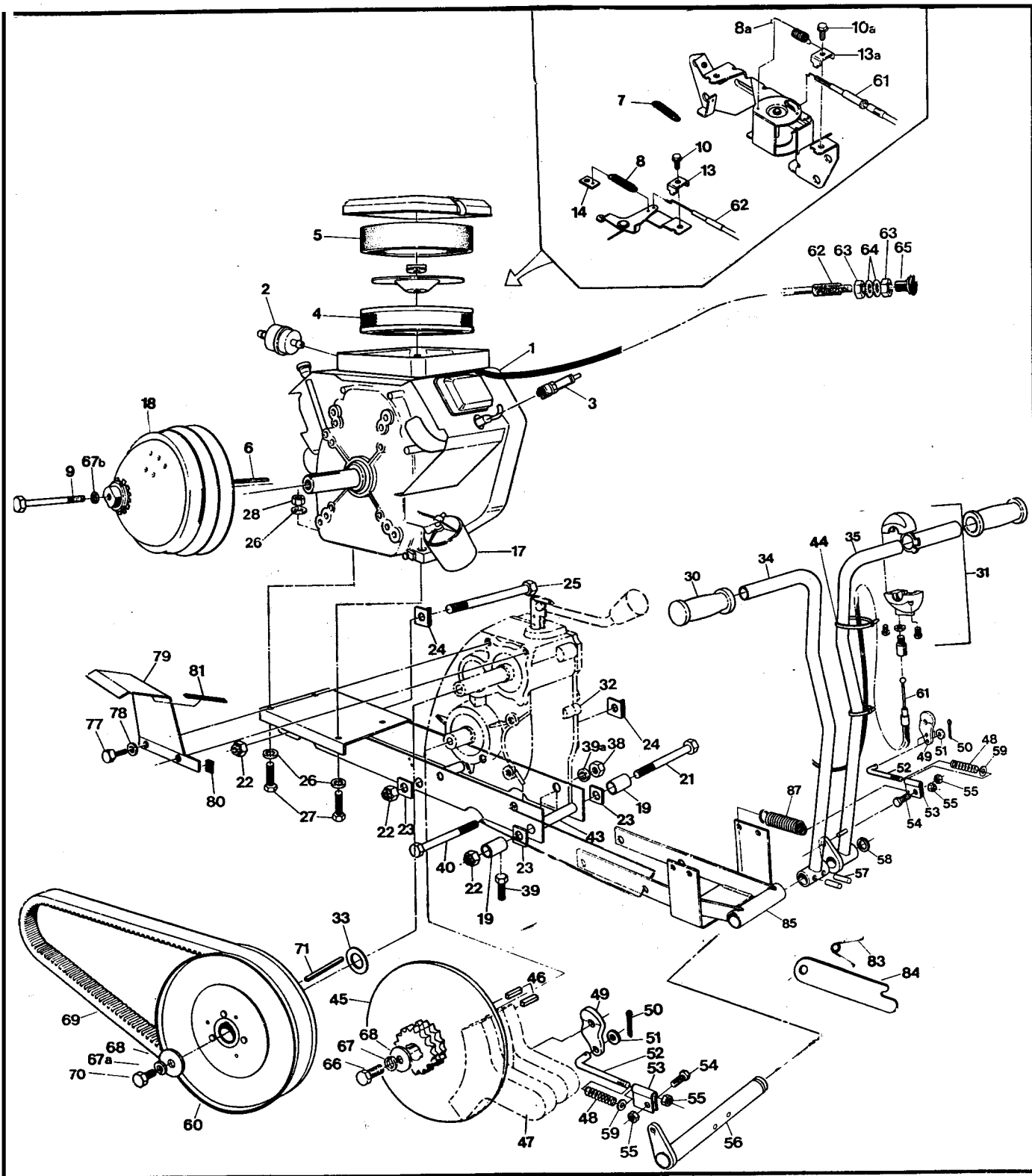
Vanguard Parts Manual 2.0 Intake and Exhaust System

Ref	Part No.	Description	Qty	Ref	Part No.	Description	Qty
1	603-81	Duct, Intake	1	15	120-04	Washer, .195x.50x.08 Zinc	2
2	112-48	Screw, T/S HH#14x2.25 Zinc	2	17	120-13	Rivet - 3/16x5/8	2
3	112-19	Screw, IHWH T/C Slot 1/4-20x0.5	2	18	707-32	Duct, Exhaust	1
7	120-05	Washer,.195x.50x.040 Zinc	7	19	707-26	Cover, Engine Duct	1
8	707-31	Screen, Exhaust	1	20	707-25	Duct, Engine	1
9	120-09	Rivet 3/16 x 1	7	21	112-19	Screw, IHWH T/C Slot 1/4-20x0.5	3
10	125-59	Washer, Fibre -.062x.25x.50	7	23	603-82	Seal	1
11a	108-08	Washer, 1/4 SAE Zinc	4	25	126-57	Spring, Exhaust	2
11b	108-08		2	26	707-15	Muffler	1
12	120-29	Spacer,.26IDx1.12LG	2	27	112-30	SHCS, M8x1.25x20.0 Zinc	4
13	125-58	Washer, Fibre - W-77F	2	28	805024	Gasket	2
14	707-28	Support, Exhaust Duct	1	30	707-05	Manifold, Exhaust	1
				31	108-02	Lockwasher, Hi-Collar 5/16, PL	4

3.0 Clutch System

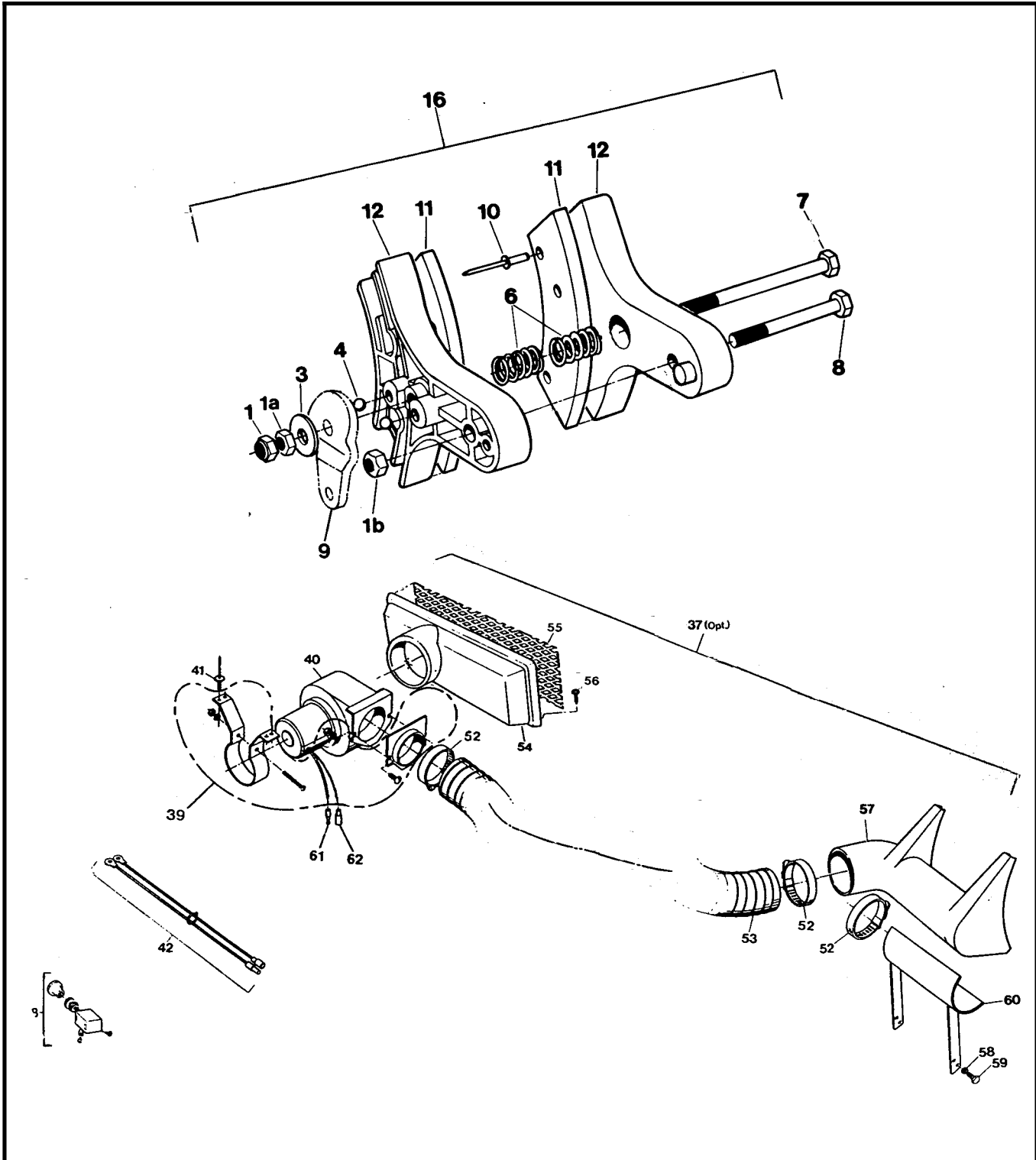
Ref	Part No.	Description	Qty	Ref	Part No.	Description	Qty
1	127-37	Clutch, Driver, keyed incl. Refs. 2 to 17,PODB0004	1	27	126-24	Clutch, Driven Model "B" SODB0001 (incl. Refs. 28 to 37)	1
2	VO1L411F	Pulley, Half - Fixed	1	28	ASK-5	Key 114 x 114 x 314	1
3	V021F	Pulley, Half - Sliding	1	29	ASR-6	Retaining Ring N1400-150	2
4	V046	Lock Screw (use Loctite 242)	1	30	ASA-1	Spacer .050" Thick	as req
5	V05BCR-200	Block + 200g Lead Slug Asm.	3	30a	ASA-1-S	Spacer .025" Thick	as req
6	C13-200	Slug, Lead 200 g	3	31	AFK25.4-250OD1	Pulley, Half - Fixed	1
7	V08	Retaining Ring D1400-35	1	32	AMC-2-250OD01	Pulley, Half - Sliding incl. Refs. 33, 34 and 35	1
8	V08C	Retaining Ring N1408-13	1	33	ANS-2-T	Shoe, Cam	3
9	V09	Spring Guide Plate	1	34	AMB-2	Bushing, Bronze	1
10	710-48-108-18	Spring, Blue	1	35	111-01	Pin, Spirol 5/32 x 1.00	1
11	V111	Threaded Cap	1	36	ACS-3-188	Spring, Blue	1
12	V1203BR	Cap, Type "B"	1	37	AFC-4-C3D4	Cam	1
14	V05BCR		3				
15	V15	Lockwasher	1				
16	V162	Locknut	1				
17	x-35-MA	Spacer	as req				

4.0 Power Pack Assembly Vanguard Parts Manual



Vanguard Parts Manual 4.0 Power Pack Assembly

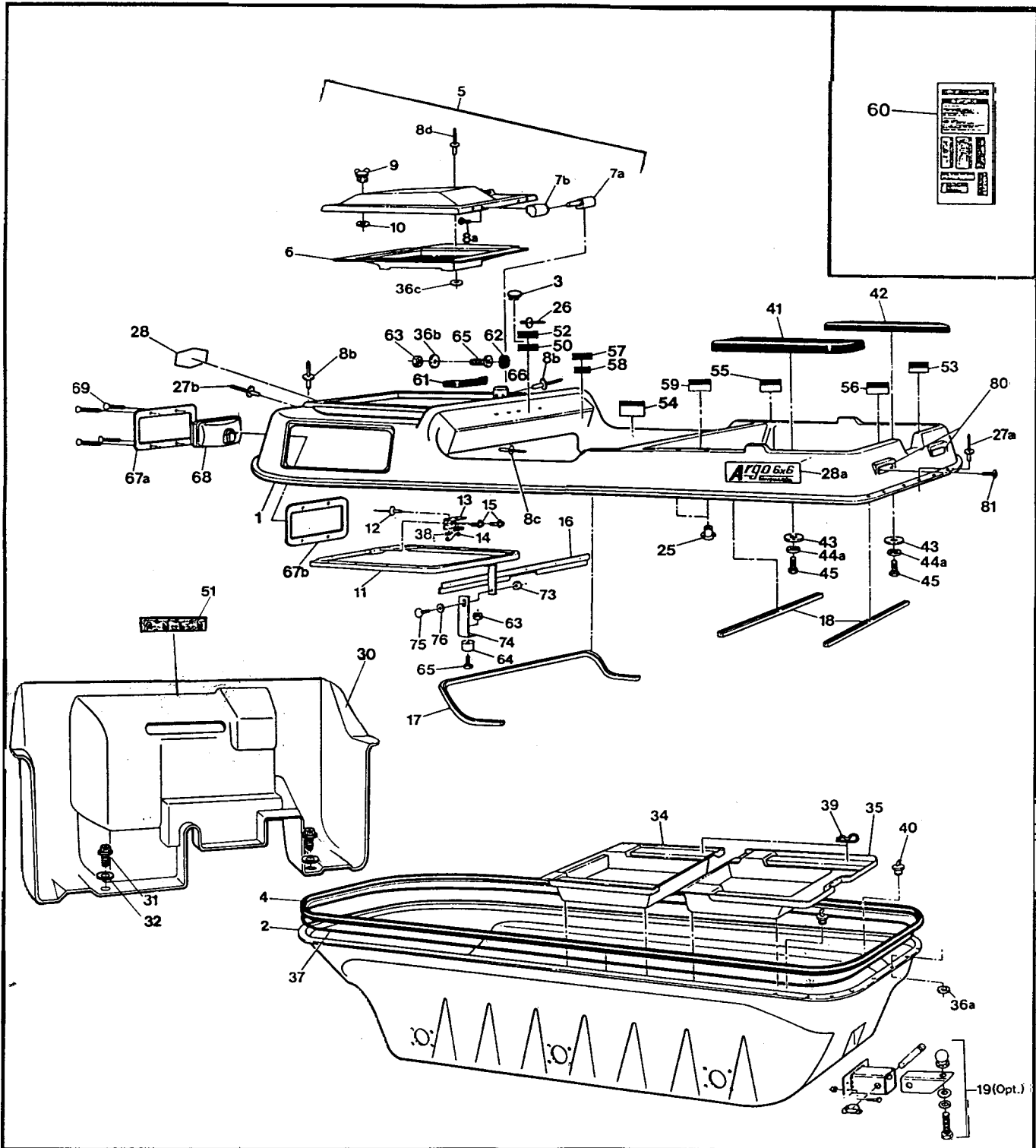
Ref	Part No.	Description	Qty	Ref	Part No.	Description	Qty
1	126-52	Engine - Vanguard V-Twin 16HP incl. refs. 2-14, 17 B&S #3034471026E1	1	43	611-66	Frame-Power Pack Van.	1
2		See Section 8.0 Fuel System & Seat Assembly		44	100-64	Tie-Wrap - 5.5" - Black	6
3	126-74	Spark Plug #3926	2	45	610-24H	Brake Disc-#40-2x1.5T _{w/whole}	2
4	394018	Cartridge - Air Cleaner (BS#)	1	46	110-14	Key 1/4x1/4x1.25	4
5	271271	Element - Air Cleaner (BS#)	1	47		See Section 5.0 Brake System	
6	110-03	Key 1/4x3/16x2.375 RC46	1	48	127-48	Spring, Comp. .54x1.90	2
7	127-31	Spring, Governor - Green	1	49	612-41	Brake Cam	2
8	125-88	Spring, Return	1	50	100-03	Pin, Cotter 3/32x.750 Zinc	2
8a	127-49	Spring, Return	1	51	108-24	Washer 5/16 SAE Zinc	2
9	112-28	HHCS, 3/8-24x4.5 GR5 Zinc	1	52	612-21	Brake Adjusting Rod	2
10	805169	Screw-Hex Head (BS #)	1	53	612-2C	Steering Rod Clamp	2
10a	805169	Screw-Hex Head (BS #)	1	54	103-46	HHCS 5/16-24x1.00 Zinc	2
13	805170	Clamp - Casing (BS #)	1	55	117-04	Locknut, Nylon 5/16-24 Zinc	4
13a	805170	Clamp - Casing (BS #)	1	56	612-81	Steering Shaft Asm.	1
14	601-86	Clip, Retainer	1	57	111-04	Pin, Spirol 5/16x1.50	2
17	126-95	Filter, Oil	1	58	107-01	Retaining Ring, N1400-87	1
18		See Section 3.0 Clutch		59	108-24	Washer - .34x.70x.06 Zinc	2
1s	811-14	Spacer	2	60		See Section 3.0 Clutch System	
21	112-57	HHCS 5/8-11x10.00 Gr5 Zinc	1	61	612-77	Cable Asm, Throttle	1
22	117-09	Locknut, Nylon 5/8-11 Zinc	3	62	612-92	Cable Asm, Choke incl. 63	1
23	811-09	Washer, Square .64ID	3	63		Jam Nut, 5/16-24, part of 6	2
2	811-10	Washer Asm, Square	2	64	108-27	Washer 5/16 SAE Zinc	2
24	112-58	HHCS 5/8-18x7.50 Gr5 Zinc	2	65	126-75	Knob, Choke - Black	1
2t	108-24	Washer 5/16 SAE Zinc	8	66	103-18	HHCS 3/8-24x1.25 Gr5 Zinc	2
27	112-27	HHCS 5/16-18x1.75 Gr5 Zinc	4	67	108-06	Lockwasher, 3/8 S/R, Zinc	2
28	117-21	Locknut, Nylon 5/16-18 Zinc	4	57a	108-06	Lockwasher, 3/8 S/R, Zinc	1
30	127-35	Grip, Molded Rubber	2	57b	108-06	Lockwasher, 3/8 S/R, Zinc	1
31	100-57	Throttle Twist Grip	1	68	108-11	Washer 13/32x1.375 x 11GA	3
32		See Section 1.0 Transmission		69	125-56	Drive Belt	1
33	108-36	Washer .06x1.00x1.375 Zinc	as rec	70	103-34	HHCS 3/8-16x1.25 Gr5 Zinc	1
34	612-98	Lever, Steering - LH	1	71	110-01	Key 1/4x 1/4x 3.0	1
35	612-99	Lever, Steering - RH	1	77	103-1;	HHCS 3/8-16x1.00 Gr5 Zinc	2
31	117-06	Nut, Fin Hex 1/2-13 Zinc	2	78	108-2t	Washer 3/8 Zinc	5
35	103-53	HHCS 3/8-16x3.0 Full Thread	2	79	603-25	Guard, Belt Protect	1
39a	108-07	Lockwasher 1/2 Zinc	2	80	601-92	Vinyl Trim - 1.5"	1
40	112-52	HHCS 1/2-13x7.0 Gr5 Zinc	2	81	601-93	Vinyl Trim - 4.25"	1
				83	126-8:	Spring, Parking Brake	1
				84	612-80	Holding Brake Lever	1
				85	612-94	Bracket Asm. ,Mech. Brake	1
				87	127-3:	Spring, Extension - Strg Lever	2



Ref	Part No.	Description	Qty
1	117-46	Locknut, 2-way 5/16-24 Zn	1x2
1a	117-46	Locknut, 2-way 5/16-24 Zn	1x2
1b	117-46	Locknut, 2-way 5/16-24 Zn	1x2
3	108-12	Washer, .34x1.00x.06 Zinc	1x2
4	109-02	Ball, Steel 1/4 Chromestee	2x2
6	100-10	Spring, Compression	2x2
7	103-16	HHCS 5/16-24x3.75 Gr8Z	1x2
8	103-29	HHCS 5/16-24x2.75 Gr8Z	1x2
9		See Section 4.0 Power Pack Assembly	
10	120-11	Rivet, 5/32	8x2
11	100-56	Brake Pad, Set of 2	1x2
12	00-54A	Caliper, Brake	2x2
16	00-72A	Brake Assembly (incl. Refs. 1 to 8, 10 to 12)	1x2

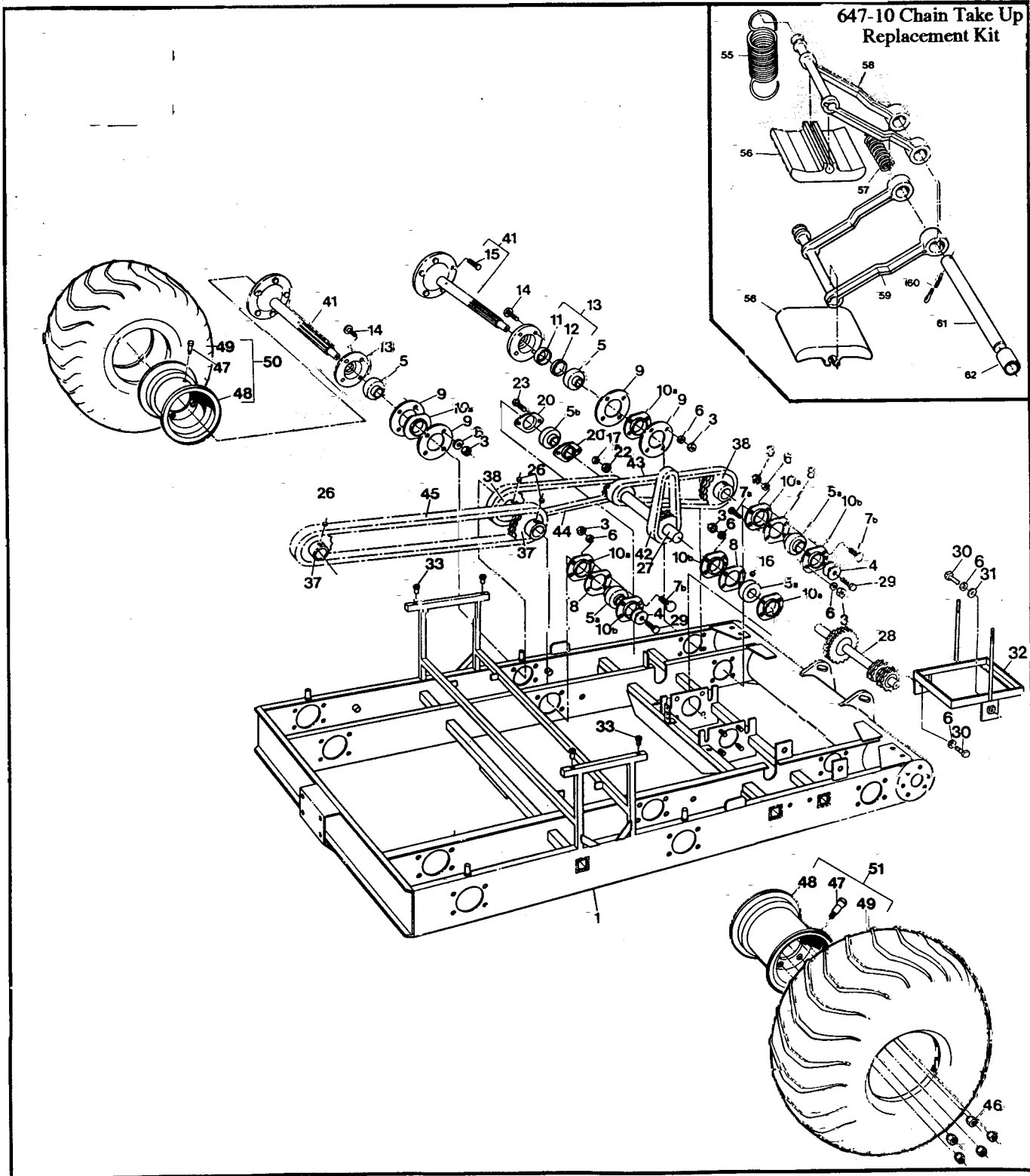
Ref	Part No.	Description	Qty
37	668-03	Brake Cooling Kit-Van2 (incl. Refs. 38 to 62)	1
38	100-62	Switch, Light	1
39	125-92	Adpt. & Mounting Kit (incl. Refs. 43 to 50)	
4c	125-91	Blower Fan	1
41	120-13	Rivet 3/16" x 5/8"	4
42	613-05	Wire Harness	1
43		Mounting Bracket	1
44		Nut, #10-32	1
45	See	Lockwasher, 3/16"	1
46	125-92	Screw, #10-32 x 2"	1
47	above	Nut, 1/4-20	2
48		Lockwasher, 1/4"	2
49		Screw, 1/4-20 x 5/8"	2
50		Adaptor, 3" dia.	1
52	125-35	Clamp, Gear 3.50" HF-52	3
53	127-44	Hose, Intake 3" dia. x 46"	1
54	601-89	Intake Flange (specify clr)	1
55	126-61	Intake Screen	1
56	112-56	Pan HD Phil T/S #10x3/4 A Zinc	4
57	127-39	Brake Cooling Duct	1
58	108-03	Lockwasher 1/4 Split Ring	4
59	112-19	screw, IHWH T/C Slot 1/4-20x1/2	4
60	668-11	Mounting Bracket - Duct	1
61	118-02	Terminal, Male - #76-125 1	1
62	118-03	Terminal, Female - #76-128!	1

6.0 Vehicle Body & Firewall Vanguard Parts Manual



Ref	Part No.	Description	Qty
1	601-32	Body + Hood, Upper - Van. Replacement, specify colour (incl. Ref 5b, 11, 12, 13, 14, 15)	1
2	603-91	Body, Lower - 6x6, specify colour	1
3	127-28	Plug, Nylon - Black	1
4	601-05	Bumper, Vinyl - 6 x 6	1
5	602-37	Hood Kit, Vanguard specify colour (incl. Ref 6 to 10 & 36c)	1
6	801-47	Duct, Intake Transition, specify colour	1
7a	127-45A	Pin, Hinge	2
7b	127-45B	Knuckle, Hinge	2
8a	103-47	HHCS 10-24 x 3/8	8
8b	120-13	Rivet 3/16 x 5/8	7
8c	120-13	Rivet 3/16 x 5/8	5
8d	120-09	Rivet 3/16 x 1	5
9	126-10	Wing Stud	1
10	126-09	Grommet, Alum, #GH-7	1
11	602-24	Hood Support Assembly	1
12	120-15	Rivet 1/8 x 7/16	2
13	601-69	Spring Plate	1
14	126-11	Spring	1
15	112-19	Screw, IHWH T/C Slot 1/4-20 x 0.5"	2
16	602-29	Brace, Dash	1
17	601-08	Vinyl Trim, 84"	1
18	601-09	Vinyl Trim, 28"	2
19	626-10	Hitch Kit (Opt.)	1
25	117-44	T-Nut 1/4-20 PL	4
26	120-24	Rivet, Alum, 3/32x3/8-all plates	38
27a	120-09	Rivet, 3/16 x 1	46
27b	120-09	Rivet, 3/16 x 1	25
28	601-44	Nameplate, "ARGO"	1
28a	127-41	Nameplate, 6x6 Vanguard	2
30	609-36	Firewall - Vanguard	1
31	103-72	Screw, IHWH T/C Slot 1/4-20x3/4	2
32	108-08	Washer, 1/4 SAE Zinc	2
34	803-02	Floor Pan, Front, specify colour	1
35	603-03	Floor Pan, Rear 6x6, specify colour	1

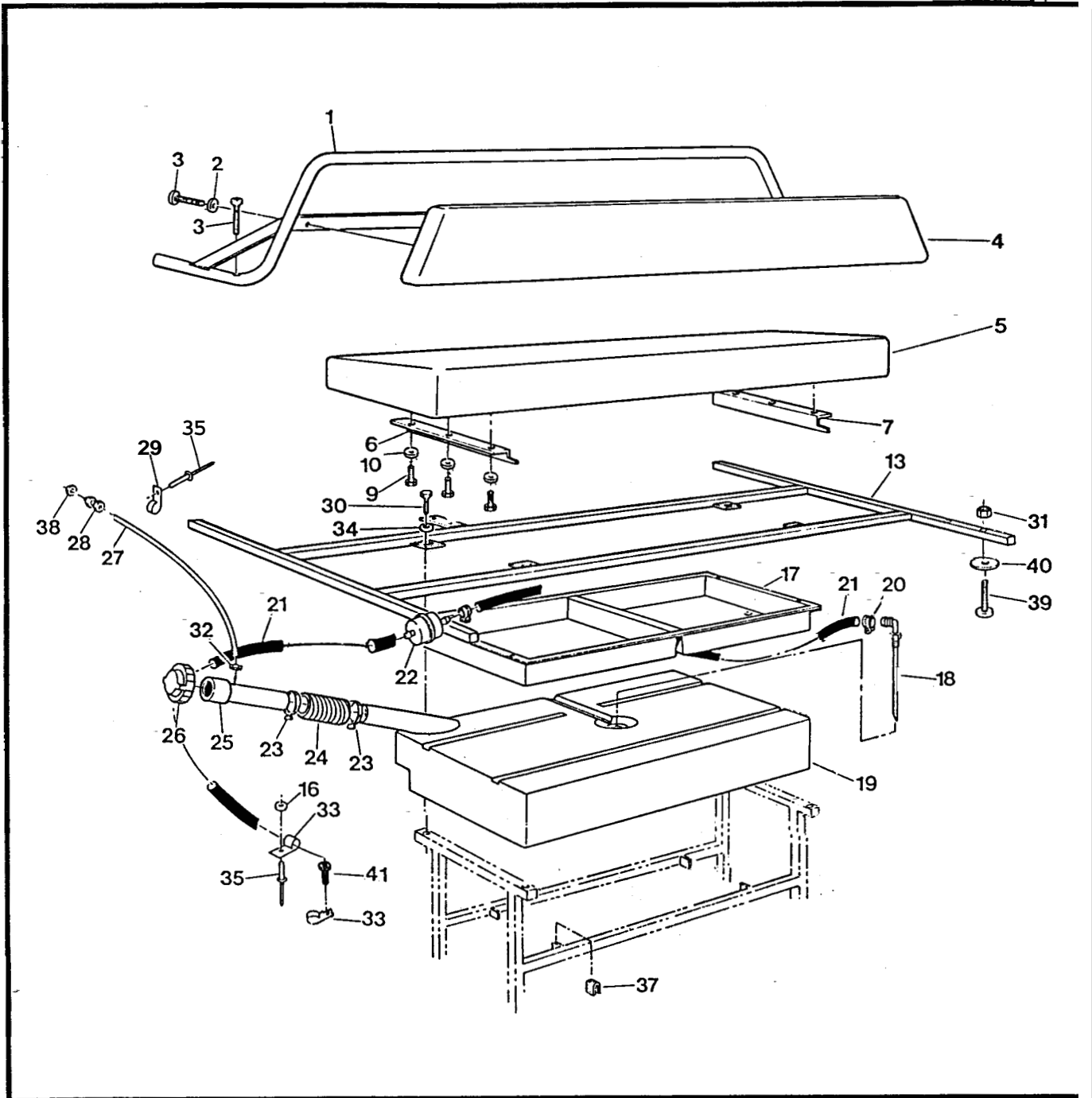
Ref	Part No.	Description	Qty
36a	120-04	Washer, .195x.50x.08 Zinc	46
36b	120-05	Washer, .195x.50x.04 Zinc	2
36c	120-04	Washer, .195x.50x.08 Zinc	5
37	126-60	Vinyl Strip 1/2"x1/4"x37.5'	1
38	120-05	Washer, .19x.50x.04 Zinc	2
39	100-16	Clip, Hitch Pin 1.625 Zinc	4
40	100-18	Plug, Drain 5/8" x 13/32"	2
41	601-03	Seat, Rear LH - 6x6	1
42	601-02	Seat, Rear RH - 6x6	1
43	603-15	Washer, Plastic	2
44a	108-01	Washer, Fender 1/4 SAE Zinc	2
45	103-08	HHCS 1/4-20 x 1.00 Zinc	2
50	126-72	Plate, Holding Brake	1
51	126-65	Shifting Plate	1
52	127-26	Steering Lever Plate & Winch	1
53	126-67	Floor Pan Plate	1
54	126-68	Operation Plate	1
55	126-69	Fuel Plate	1
56	126-70	Vehicle Capacity Plate	1
57	126-64	Vehicle ID Plate	1
58		U.S. Plate, Non U.S. Argos only	1
59	127-51	Plate, Capacity - 6x6	1
60	126-73	French Decals, incl. 51-58 available as set only	1
61	125-41	Dash Handle, incl. 62	1
62		Plug cap, avail. only with 61	2
63	117-10	Locknut, Nylon #10-24 Zinc	3
64	126-88	Bumper, Rubber	1
65	103-25	PHMS #10-24 x 3/4" Zinc	3
66	602-38	Clip, Hood	1
67a	613-75	Bezel, Headlamp	2
67b	613-76	Bracket, Headlight Backing	2
68		See Section 9.0 Electrical System	
69	103-24	OHPS T/S #6 x 1.00 Black	8
73	117-15	Nut, Fin. Hex 3/8-16 Zinc	1
74	602-27	Support, Adjustable	1
75	103-89	C/Bolt 3/8-16 x .75 Gr2 Zinc	1
76	108-06	Lockwasher, 3/8 S/R, Zinc	1
80	127-01	Reflector, Red	2
81	103-48	Pan HD Phil T/S #10x5/8 A Zinc	4



Vanguard Parts Manual 7.0 Frame and Drive System

Ref	Part No.	Description	Qty	Ref	Part No.	Description	Qty
1	606-5C	Frame Asm. - 6x6 Vanguard	1	37	810-29	Sprocket, M/R Axle - 19T	4
3	117-15	Nut, Fin Hex 3/8-16 Zinc	56	38	810-28	Sprocket, Front Axle - 24T	4
4	108-46	Washer, 13/32x1.375 Hi-Carb	12	41	810-75	Axle Asm (incl. Ref. 15)	6
5	101-35	Bearing, Ball #1030-1.25 GFS	6	42	603-22	Chain, Idler RC40-2x46P (incl. Ref. 54)	2
5a	101-41	Bearing, Ball #1030-1 GFS	8	43	603-17	Chain, RC50-2x42P-Frt. (incl. Ref. 53)	2
5b	101-30	Bearing, Ball 1.0 Setscrew	2	44	603-20	Chain, RC50-2x70P-Mid. (incl. Ref. 53)	2
6	108-06	Lockwasher, 3/8" S/R, Zinc	58	45	603-21	Chain, RC50-2x96P-Rear (incl. Ref. 53)	2
7a	103-82	HHCS 3/8-16x1.5 Gr5 Zinc	2	46	117-35	Nut, Wheel 7/16-20 Zinc	5x6
7b	103-88	C/Bolt 3/8-16x1.00 Gr5 Zinc	22	47	125-26	Valve, Tire	6
8	605-99	Gasket, Flange	8	48	25-13C	Rim, 8x7-5 Bolt	6
9	605-89	Gasket, Outer Bearing Flange	12	49	126-96	Tire, Goodyear Runamuk 22x10-8	6
10a	605-63	Flange, Bearing - Outer	14	50	126-98C	Tire & Rim Asm. - LH (incl. Refs. 48 & 49)	3
10b	101-20	Flange Assem., Bearing	8	51	126-97C	Tire & Rim Asm. - RH (incl. Refs. 48 & 49)	3
11	102-14	Seal, Oil CR #12361	6	53	100-96	Con. Link, RC50-2 H.D.	1x6
12	102-15	Seal, Oil CR #12379	6	54	100-97	Con. Link, RC40-2 H.D.	1x2
13	605-97	Flange Assem., Outer (incl. Refs. 11 & 12)	6	55	125-61	Spring, Tensioner	1x4
14	112-39	C. Bolt, 3/8-16x1-3/4" Gr5Zc	24	56	603-61	Slider Block	2x4
15	103-80	Stud, Wheel 7/16-20x1.125	5x6	57	125-78	Spring, Spacer	1x4
16	112-60	SHSS 1/4x28x1/2 Cup Pt. Bare	4	58	603-77	Upr Chn Tensioner Arm	1x4
17	108-05	Lockwasher, 5/16" Split Ring	4	59	603-76	Lwr Chn Tensioner Arm	1x4
20	101-14	Flangette - 2 Hole - Trim 1"	4	60	100-01	Pin, Cotter 1/8x1.5" Zinc	1x4
22	117-04	Locknut, Nylon 5/16-24 Zinc	4	61	603-78	Pivot Pin	1x4
23	103-46	HHCS 5/16-24x1.00 Gr5 Zinc	4	62	603-66	Spacer, .500 ID x .625 lg	1x4
26	112-03	SHSS 5/16-18x3/8 1/2 DOG, PL	6	a	647-10	Chain Take Up Replacement Kit (incl. Refs 55 thru 62 as shown)	4
27	606-30	Idler Asm - L 4x11T 2x24T	1				
28	606-31	Idler Asm - R 4x11T 2x24T	1				
25	112-31	HHCS 3/8-16x1.0 2B Gr8 Zc	6				
30	112-14	HHCS 3/8-16x.750 Gr5 Zc	2				
31	108-15	Washer 3/8 SAE Zinc	1				
32	604-84	Frame Asm. - Battery	1				
33	117-64	Insert. 1/4-20	4				

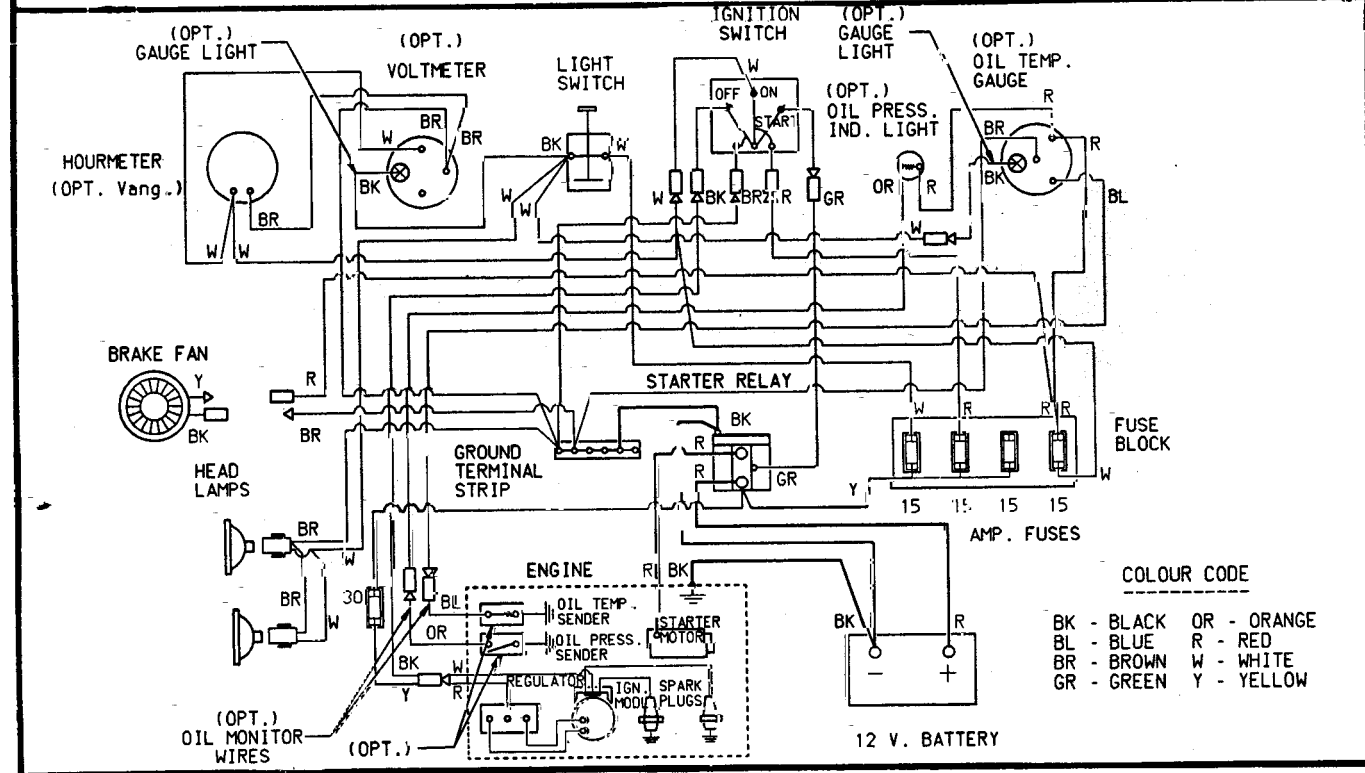
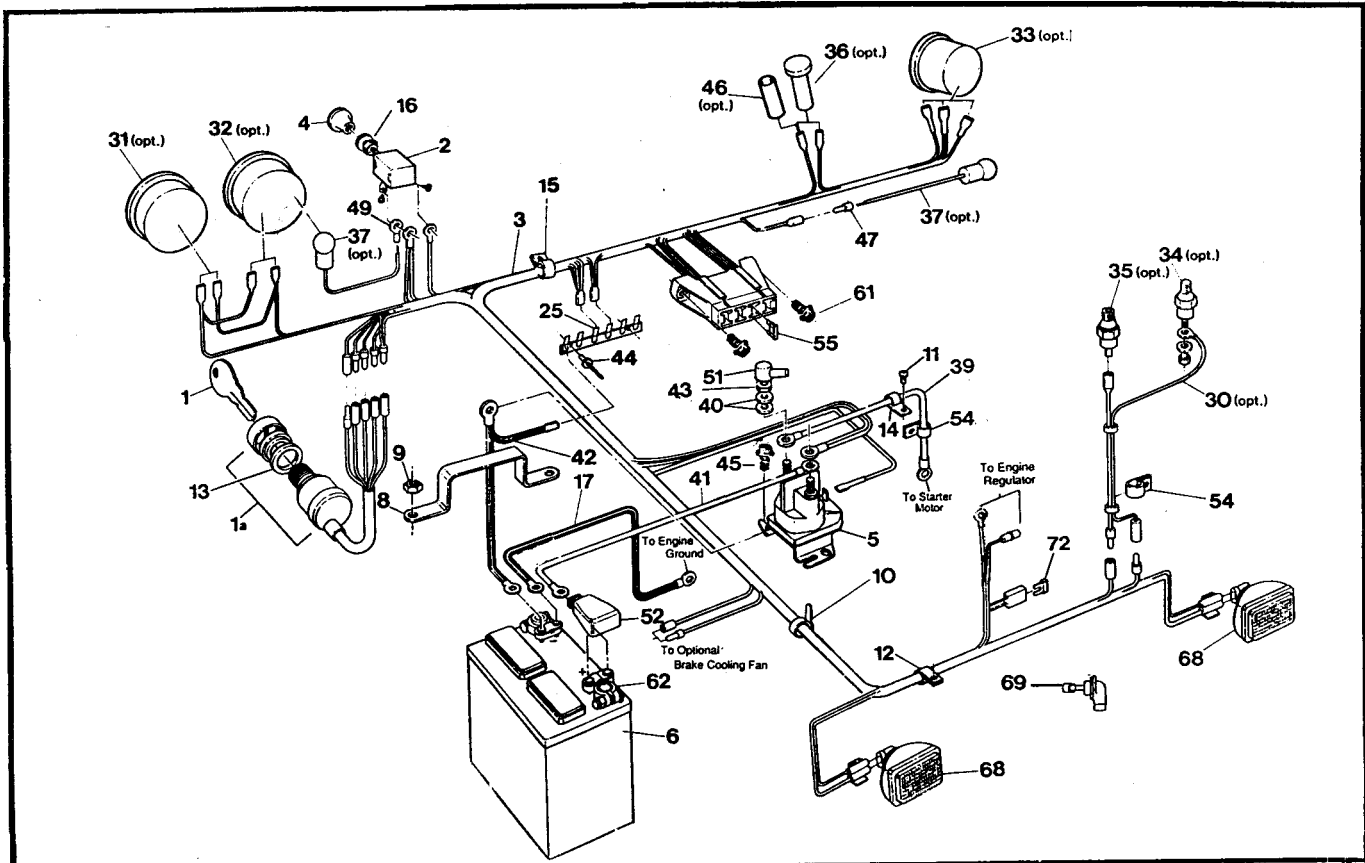
8.0 Fuel System and Seat Assembly Vanguard Parts Manual



Vanguard Parts Manual 8.0 Fuel System and Seat Assembly

Ref	Part No.	Description	Qty
1	803-50	Handrail Assembly	1
2	108-03	Lockwasher, 1/4 split ring Zinc	4
3	112-41	PHMS, PHIL 1/4-20x1.250 Zinc	6
4	608-39	Back Pad Assembly	1
5	608-43	Seat, Bench	1
6	608-30	Angle, Left	1
7	608-31	Angle, Right	1
8	112-04	HHCS 1/4-20x3/4 Gr2 Zinc	6
10	108-03	Lockwasher 1/4 split ring Zinc	6
13	804-17	Frame Assembly, Seat	1
16	120-04	Washer, .195x.50x.08 Zinc	3
17	608-32	Tool Box	1
18	608-28	Pickup Assembly, Fuel (see Ref. 19)	1
19	608-24	Tank, Fuel 32 litre (incl. Ref. 18)	1
20	100-70	Clamp, Gear 1/2" HF4	4

Ref	Part No.	Description	Qty
21	608-42	Fuel Hose, 110"	1
22	125-64	Fuel Filter, G 81-4	1
23	100-12	Clamp, Gear 2.25" HF36	2
24	125-94	Hose, Filler	1
25	126-47	Fuel Neck Assembly	1
26	126-46	Cap, Fuel	1
27	126-77	Hose, Vent 93" 6x6	1
28	126-50	Male Connector, 1/4"	1
29	126-94	Clamp, Nylon Wire, 1/4" ID	4
30	112-04	HHCS 1/4-20 x 3/4 Gr2 Zinc	4
31	117-10	Locknut, Nylon #10-24 Zinc	12
32	126-62	Clamp, Gear 1/4" 2-Ear #0507	1
33	126-93	clamp, Nylon Wire, 1/2" ID	4
34	108-08	Washer, .28 x .62 x .04 Zinc	4
35	120-09	Rivet, 3/16 x 1	3
36	120-13	Rivet, 3/16 x 5/8	6
37	702-06	Foam Cushion	4
38	117-54	Locking PAL Nut, 1/2-20 Zinc	1
39	112-07	RHMS, 10-24 x 1.25 Zinc	12
40	108-42	Washer, .062 x 7/32 x 1.00 Zinc	12
41	103-48	T/S Pan HD Phil #10-5/8 A Zinc	1



Vanguard Parts Manual

9.0 Electrical System

Ref	Part No.	Description	Qty
1	00-39A	Key	1
1a	126-17	Ignition Switch, incl. Ref 1	1
2	100-62	Switch, Light	1
3	613-71	Main Wire Harness, incl. Fuse Holder	1
4	126-76	Knob, Light	1
5	613-68	Starter Relay	1
6	127-54	Battery	1
8	604-52	Battery Retaining Bracket	1
9	117-21	Locknut, Nylon 5/16-18 Zinc	2
10	100-64	Tie Wrap, 5.5" - Black	8
11	103-48	Pan HD PHIL T/S#10x5/8 A Zinc	1
12	126-93	Clamp, Nylon Wire - 1/2" ID	10
13	108-57	Washer, 3/4" ID, Tooth Lock	1
14	126-93	Clamp, Nylon Wire - 1/2" ID	1
15	127-24	Clamp, Nylon - 1" ID	1
16	108-55	Lockwasher, Ext. Tooth 7/16"	1
17	613-18	Ground Wire	1
25	613-37	Ground Terminal Strip	1
30	613-38	Oil Monitor Wires (opt.)	1
31	632-15	Hourmeter, #56458-10 (#876EM) (Opt.)	1
32	633-10	Voltmeter, #07583-15 (#830EM)	1
33	634-11	Oil Temp. Gauge #07556-88 (#828EM) (opt.)	1
34	634-12	Oil Temp. Sender #02024-01 (opt.)	1
35	12.099.06	Oil Pressure Switch, 6 psi (opt.) (Kohler #)	1
36	634-08	Engine Oil Pressure Light (opt.)	1
37	634-10	Light Kit, M6215-00 5/8" dia see Ref. 32 & 33 (opt.)	2
39	613-49	Cable, Starter	1
40	108-03	Lockwasher, 1/4 Zinc	5

Ref	Part No.	Description	Qty
41	613-26	Power Cable	1
42	613-58	Ground Wire	1
43	117-20	Nut, Fin. Hex, 1/4-20 Zinc	2
44	120-15	Rivet, 1/8 x 7/16	2
45	112-19	Screw, IHWH T/C 1/4-20 x 1/2	2
46	118-48	Heat Shrink , 2 x 1/2 (opt.)	1
47	118-02	Terminal, Male-#76-1251-88	1
49	118-30	Terminal, Eye - #10	1
51	613-45	Terminal Insulator (6 ga.)	1
52	127-55	Cap, Battery Terminal - Red	1
54	126-83	Clip, Hose 5/16 ID #C-950PC	2
55	118-49	Fuse, 15 Amp, 2-prong (AT015)	4
61	112-51	Screw, IHWH T/C #10-24x5/8	2
62	127-56	Terminal Bat. Post	2
68	613-69	Headlamp, Halogen (incl. Ref. 69)	2
69	127-46	Bulb, Headlight - Halogen	2
72	118-51	Fuse, 30A 2-prong (AT030)	1

ARGO Products Manufactured by:

Ontario Drive & Gear Limited

P.O. Box 280, Bleams Road

New Hamburg, Ontario

CANADA NOB 2G0

Phone: (519) 662-2840

Fax: (519) 662-2421

3DG *Dedicated to quality and performance*



ARGO

VANGUARD

PARTS MANUAL

Model No. V697-51
From Serial #S9600

Foreword

ODG has prepared this manual for the **VANGUARD** model to assist both qualified mechanics and vehicle owners in ordering correct, quality replacement **ARGO** parts.

Proper and regular service, and replacing old, worn or broken parts with the correct **ARGO** replacement parts, are both essential to prolonging the life of the **ARGO**. Please refer to this parts manual before ordering any replacement part.

All information contained in this **VANGUARD** Parts Manual is based on the latest product specification available at time of printing. If your **VANGUARD** differs from the specifications contained in this manual, **contact Ontario Drive & Gear Limited for information.**

ODG reserves the right to alter specifications on the **VANGUARD** model at any time, without obligation or prior notification.

Reproduction of the **VANGUARD** Parts Manual No. 697-51, in whole or in part, is prohibited without prior written permission from **Ontario Drive & Gear Limited.**

Model Identification

VANGUARD - Model No. V697-51

Explanation of Parts Manual Format

Ref	- Reference number between Assembly Diagram and Component Parts List
Part No.	- Argo replacement part number for identification and re-ordering
Description	- Part description for identification and re-ordering
Qty	- Indicates the quantity of a part used in an Assembly

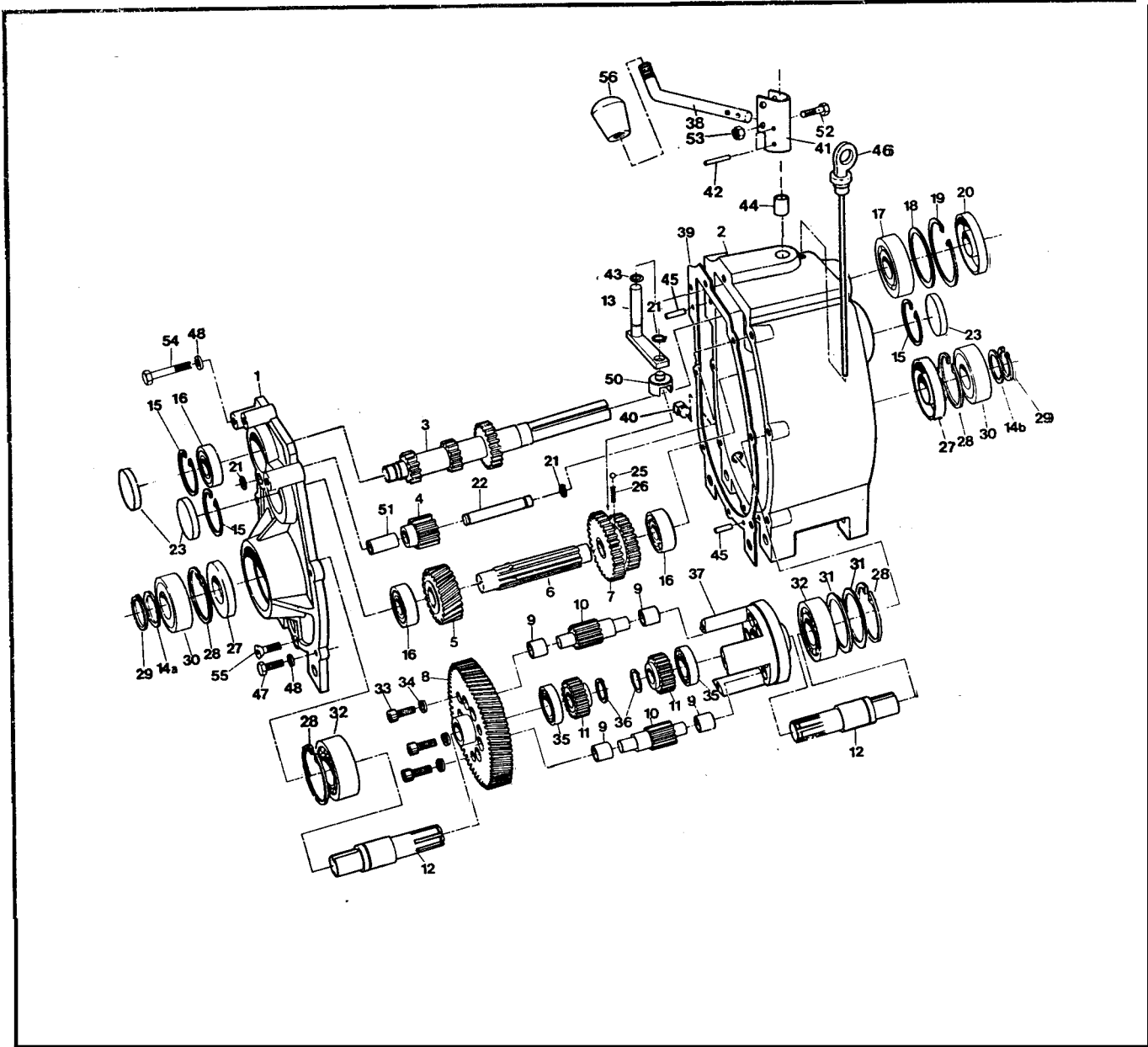


Using the Parts Manual

1. Find the major vehicle assembly in the Table of Contents on this page, and turn to that section.
2. Locate the part in the illustration that you wish to order.
3. Refer to the parts list in that section.
4. Find the correct part number (Part No.), part description (Description) and correct quantity (Qty).
5. Use only this information to order ARGO replacement parts. DO NOT attempt to order a replacement part by Ref number or Page number.

Table of Contents

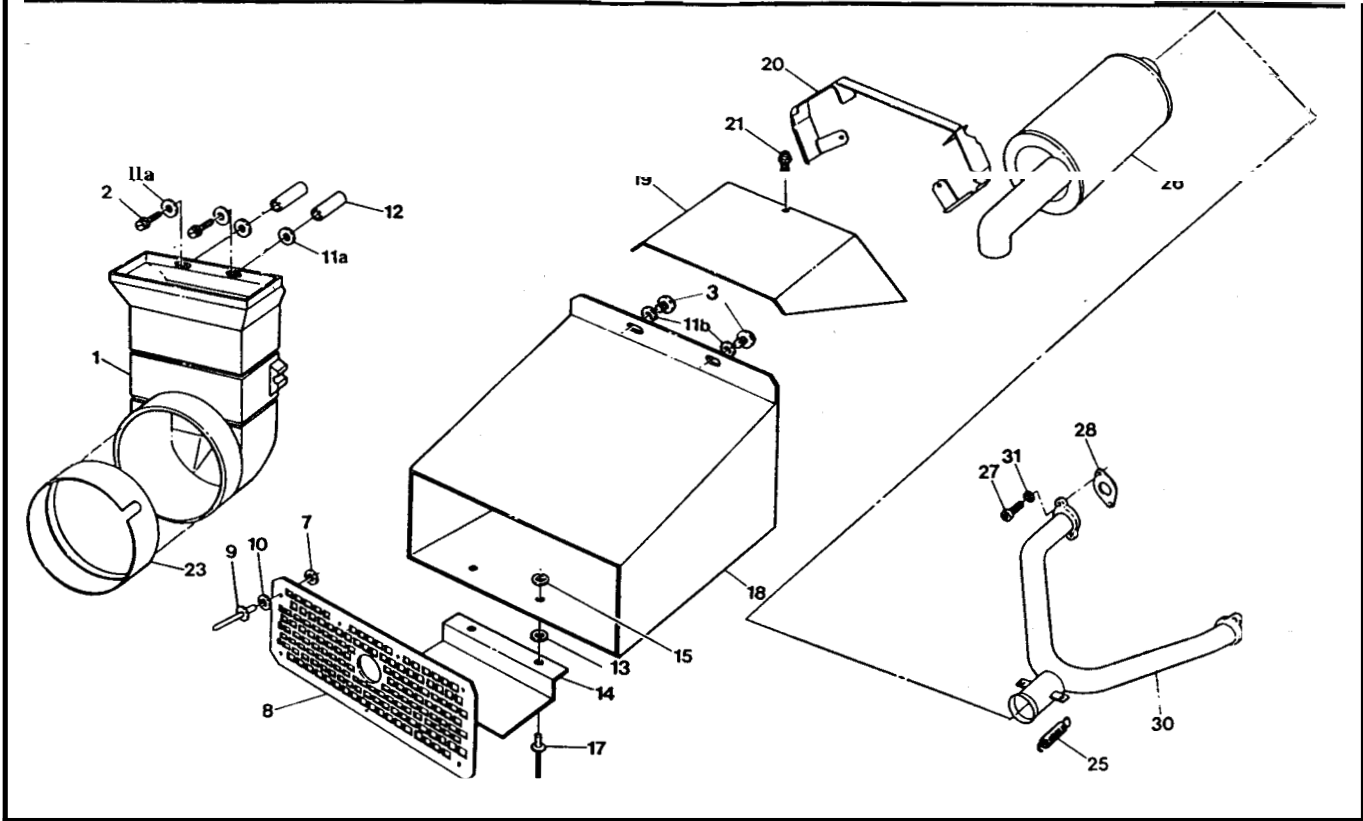
Foreword.....	i
Model Identification.....	.i
Using the Parts Manual.....	ii
1.0 Transmission.....	1
2.0 Intake and Exhaust System.....	3
3.0 Clutch System.....	3
4.0 Power Pack Assembly	5
5.0 Brake System.....	7
6.0 Vehicle Body & Firewall.....	9
7.0 Frame & Drive System.....	11
8.0 Fuel System & Seat Assembly	13
9.0 Electrical System.....	15



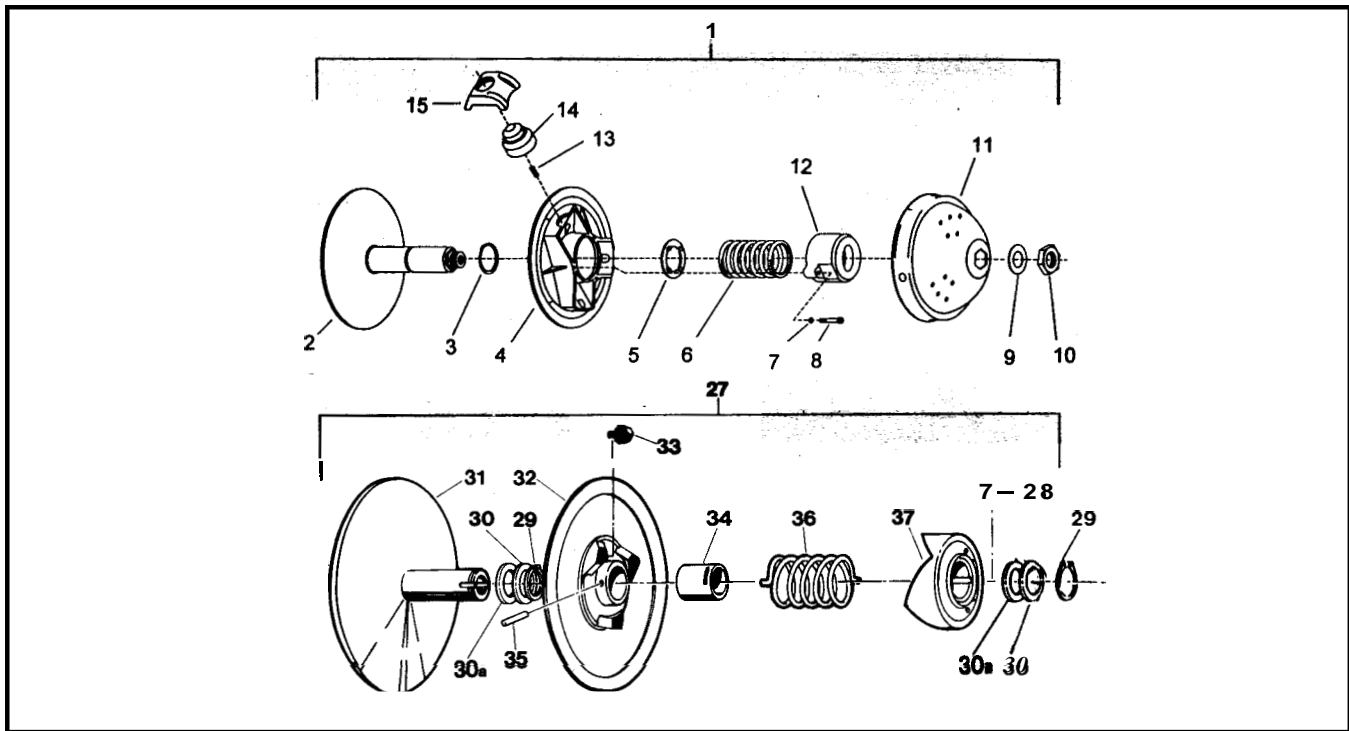
Ref	Part No.	Description	Qty
	• 610-17HU	Transmission Asm - HU , does not include Refs 38, 52, 53 & 56	
1	34-68	Cover, Transmission	1
2	34-99	Housing, Transmission	1
3	34-21	Shaft, Input - 13/21T	1
4	34-16A	Gear, Idler 13 T (incl. Ref. 51)	1
5	34-96	Gear, Helical - 26T-H	1
6	34-94	Shaft, Spline	1
7	34-91	Gear, Double - 26/33T	1
8	34-43	Gear Plate - 71T-H	1
9	105-03	Bushing, Oilite ½ x ¾	12
10	34-13	Gear, Planet - 12T	6
11	34-14	Gear, Sun - 21T	2
12	34-81	Shaft, Output	2
13	34-65	Shifter Asm	1
14a	114-04	Washer, Shim .040 Thk	1
14b	114-05	Washer, Shim .020 Thk	1
15	106-01	Retaining Ring	3
16	101-01	Bearing, Ball 6204Z-C3	3
17	101-16	Bearing, Ball 6206-C3	1
18	114-02	Washer, Shim	as req.
19	106-05	Retaining Ring	1
20	102-05	Seal, Oil WBS 30x62x10	1
21	107-05	Retaining Ring	3
22	34-11	Pin, Dowel ½ x 3.50	1
23	31-07	Plug plate	3
25	109-05	Ball, Steel 6mm 62-67 Rc	1
26	34-32	Spring, Compression - 7/32 x 0.50	1
27	102-03	Seal, Oil WBS 30x72x10	2
28	106-03	Retaining Ring	4
29	107-02	Retaining Ring	2
30	101-05	Bearing, Ball 6306-2NSE C3	2

Ref	Part No.	Description	Qty
31	114-01	Washer, Shim .020x2.25x2.81	2
32	101-03	Bearing, Ball 6207-C3	2
33	103-04	SHCS 5/16-18 x 1.00 Bare	3
34	108-02	Lockwasher, Hi-Collar 5/16 Bare	3
35	101-15	Bearing, Ball 6005-C3	2
36	107-04	Retaining Ring	2
37	34-08	Cage	1
38	610-67	Lever, Shift	1
39	34-47	Gasket, Cover - 1/64"Thk	1
40	103-02	Plug, Magnetic 3/8 - 18 NPT Sq. Hd	1
41	34-86	Holder, Shift Lever	1
42	111-01	Pin, Slotted Spring 5/32 x 1.00	2
43	113-01	O-Ring 012-7147	1
44	105-02	Bushing, Oilite 1/2x 1.0	1
45	104-03	Pin, Dowel 1/4 x 7/8	2
46	34-77	Dipstick - with Breather	1
47	103-06	HHCS 5/16-18x1.00 GR5 Zinc	4
48	108-05	Lockwasher 5/16 Zinc	7
50	34-63	Shift Yoke	1
51	105-05	Bushing, Oilite ½ x 1.5 (in Ref 4)	1
52	103-97	HHCS 1/4-20x1.25 GR5 Zinc	1
53	117-27	Locknut, Nylon 1/4-20 Zinc	1
54	103-84	HHCS 5/16-18x2.25 GR5 Zinc	3
55	103-95	FHSC 5/16-18x1.0 GR8 Zinc	1
56	126-38	Knob, Shift	1

2.0 Intake and Exhaust System Vanguard Parts Manual



3.0 Clutch System



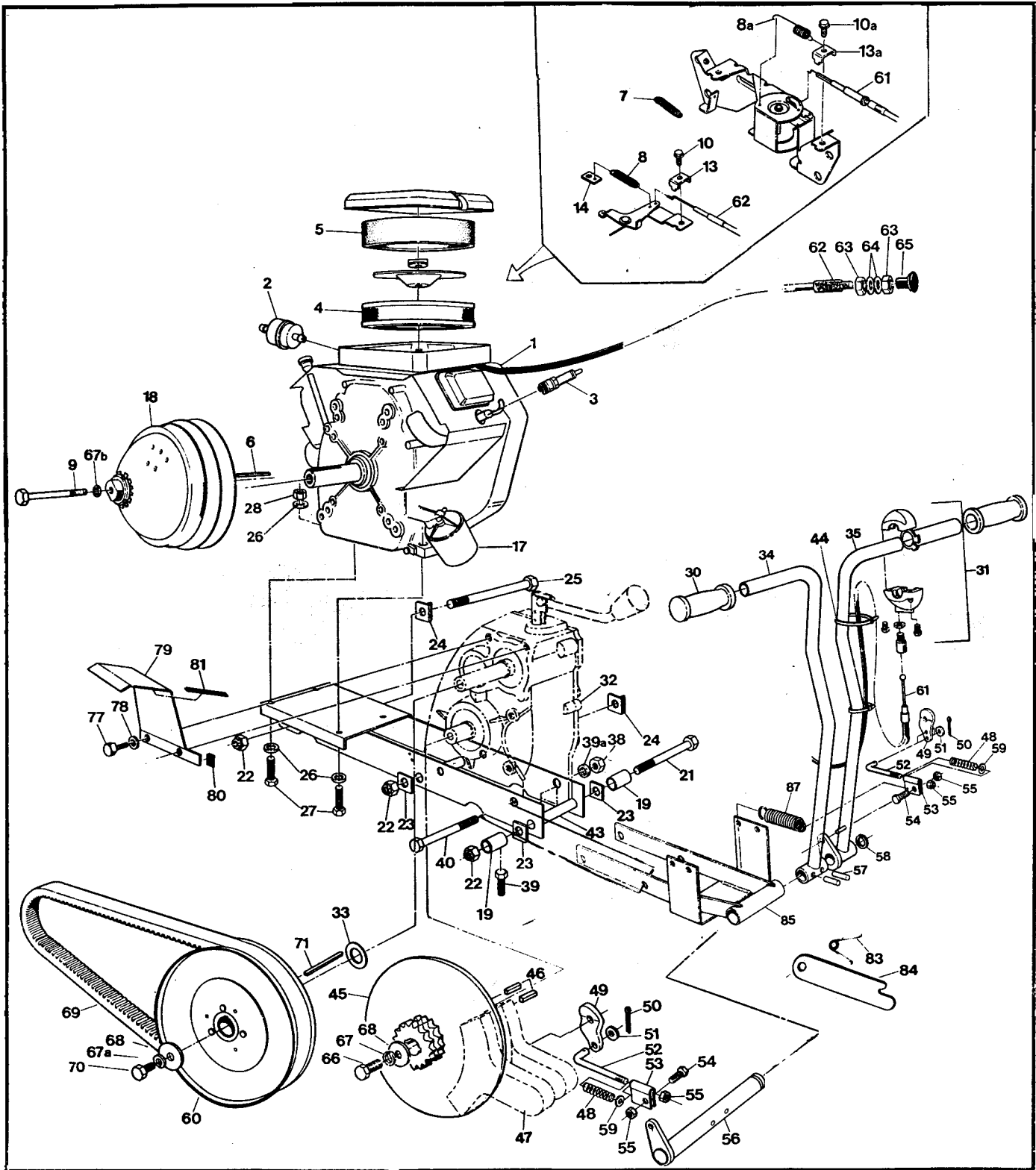
Vanguard Parts Manual 2.0 Intake and Exhaust System

Ref	Part No.	Description	Qty	Ref	Part No.	Description	Qty
1	603-81	Duct, Intake	1	15	120-04	Washer, .195x.50x.08 Zinc	2
2	112-48	Screw, T/S HH#14x2.25 Zinc	2	17	120-13	Rivet - 3/16x5/8	2
3	112-19	Screw, IHWH T/C Slot 1/4-20x0.5	2	18	707-32	Duct, Exhaust	1
7	120-05	Washer, .195x.50x.040 Zinc	7	19	707-26	Cover, Engine Duct	1
8	707-31	Screen, Exhaust	1	20	707-25	Duct, Engine	1
9	120-09	Rivet 3/16 x 1	7	21	112-19	Screw, IHWH T/C Slot 1/4-20x0.5	3
10	125-59	Washer, Fibre -.062x.25x.50	7	23	603-82	Seal	1
11a	108-08	Washer, 114 SAE Zinc	4	25	126-57	Spring, Exhaust	2
11b	108-08		2	26	707-15	Muffler	1
12	120-29	Spacer, .26IDx1.12LG	2	27	112-30	SHCS, M8x1.25x20.0 Zinc	4
13	125-58	Washer, Fibre - W-77F	2	28	805024	Gasket	2
14	707-28	Support, Exhaust Duct	1	30	707-05	Manifold, Exhaust	1
				31	108-02	Lockwasher, Hi-Collar 5/16, PL	4

3.0 Clutch System

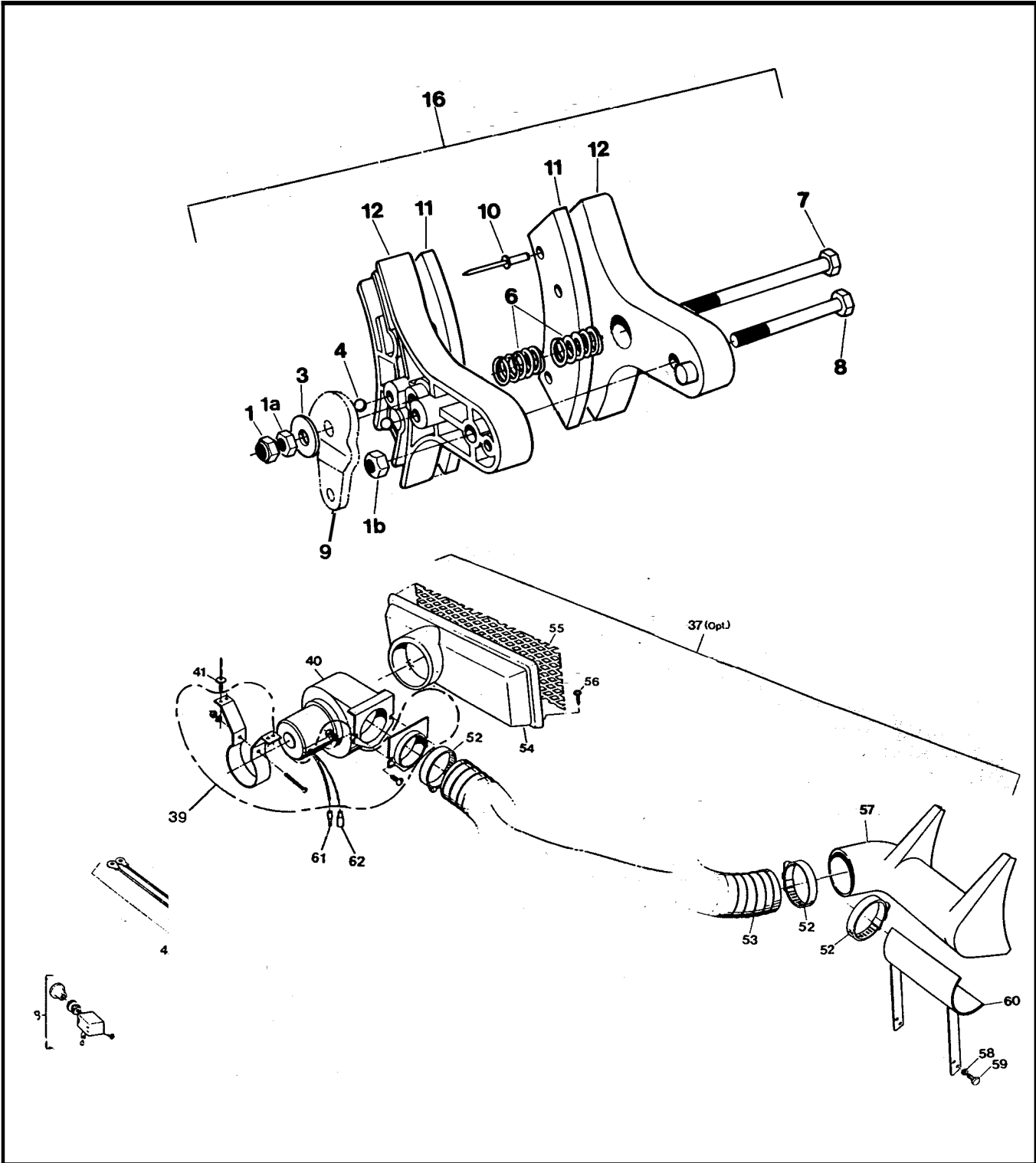
Ref	Part No.	Description	Qty	Ref	Part No.	Description	Qty
1	127-72	Clutch, Driver, keyed incl. Refs. 2 to 15, 0400-0028	1	27	126-24	Clutch, Driven Model "B" SODB0001 (incl. Refs. 28 to 37)	1
2	0405-0021	Pulley, Half - Fixed	1	28	ASK-5	Key 1/4 x 114 x 314	1
3	V08	Ring, Retaining D1400-350	1	29	ASR-6	Retaining Ring N1400-150	2
4	0410-0007	Pulley, Half - Sliding	1	30	ASA-1	Spacer .050" Thick	as req
5	v09	Plate, Spring Guide	1	30a	ASA-1-S	Spacer .025" Thick	as req
6	V10-48-108-18	Spring	1	31	AFK25.4-250OD1	Pulley, Half - Fixed	1
7	420-2453-700	Lockwasher	3	32	AMC-2-250OD01	Pulley, Half - Sliding incl. Refs. 33, 34 and 35	1
8	222-9640-66	SHCS	3	33	4NS-2-T	Shoe, Cam	3
9	1080-0153	Washer	1	34	AMB-2	Bushing, Bronze	1
10	0080-0100	Nut	1	35	111-01	Pin, Slotted Spring 5/32x 1.00	1
11	0115-0015(B)	Cap	1	36	4CS-3-188	Spring, Blue	1
12	0440-0001	Cover, Spring	1	37	AFC-4-C3D4	Cam	1
13	C24-L1	Spring, Anti-Noise	3				
14	C13-200	Slug, Lead 200g	3				
15	1130-3002	Block, Red	3				

4.0 Power Pack Assembly Vanguard Parts Manual



Vanguard Parts Manual 4.0 Power Pack Assembly

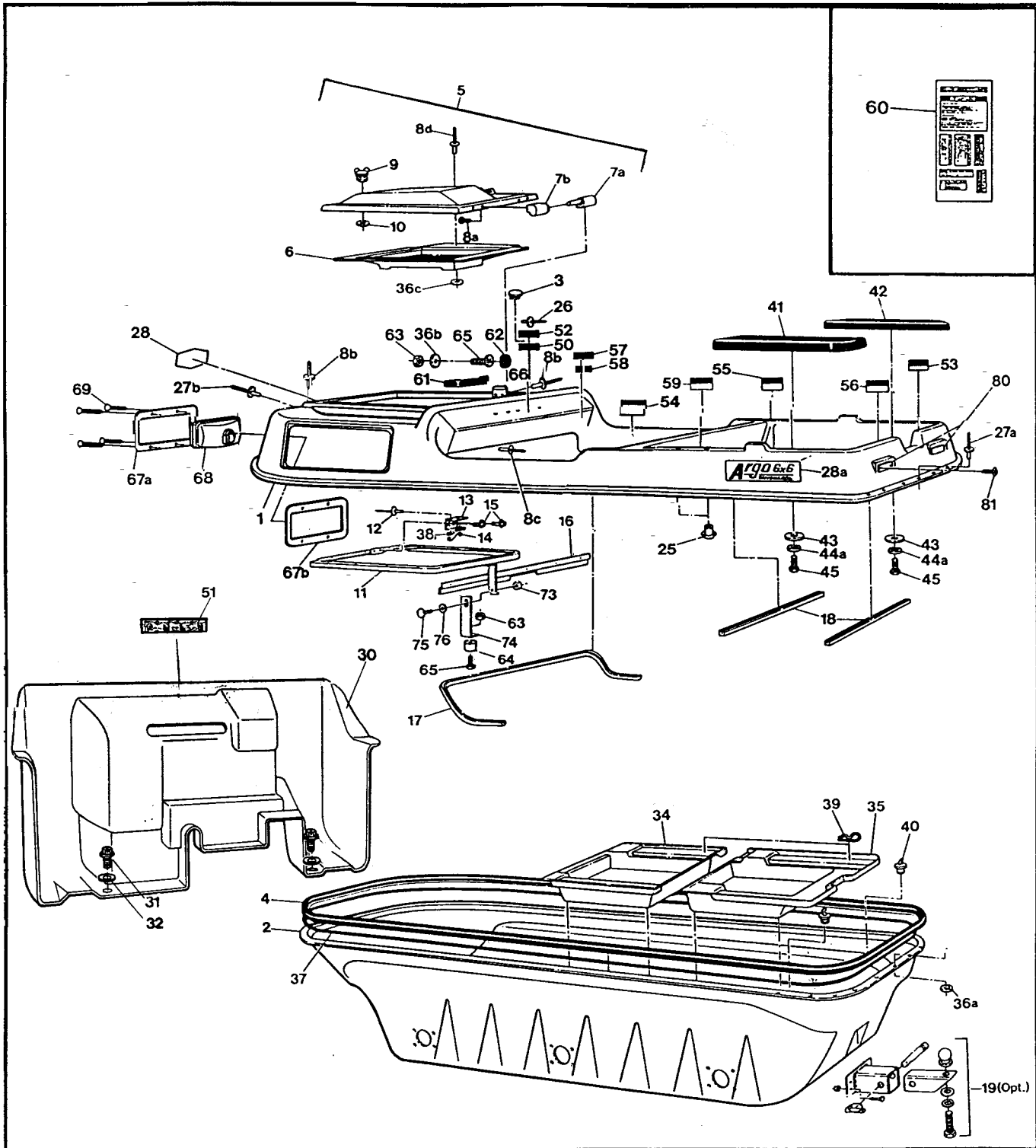
Ref	Part No.	Description	Qty	Ref	Part No.	Description	Qty
1	126-52	Engine - Vanguard V-Twin 16HP incl. refs. 2-14, 17 3&S #3034471026E1	1	43	611-66	Frame-Power Pack Van.	1
2		See Section 8.0 Fuel System & Seat Assembly		44	100-64	Tie-Wrap - 5.5" - Black	6
3	126-74	Spark Plug #3926	2	45	610-24H	Brake Disc-#40- 2x15Tw/hole	2
4	394018	Cartridge - Air Cleaner (BS#)	1	46	110-14	Key 1/4x1/4x1.25	4
5	271271	Element - Air Cleaner (BS#)	1	47		See Section 5.0 Brake System	
6	110-03	Key 1/4x3/16x2.375 RC46	1	48	127-48	Spring, Comp. .54x1.90	2
7	127-31	Spring, Governor - Green	1	49	612-41	Brake Cam	2
8	125-88	Spring, Return	1	50	100-03	Pin, Cotter 3/32x.750 Zinc	2
8a	127-49	Spring, Return	1	51	108-24	Washer 5/16 SAE Zinc	2
9	112-28	HHCS, 3/8-24x4.5 Gr5 Zinc	1	52	612-21	Brake Adjusting Rod	2
10	805169	Screw-Hex Head (BS #)	1	53	612-20	Steering Rod Clamp	2
10a	805169	Screw-Hex Head (BS #)	1	54	103-46	HHCS 5/16-24x1.00 Zinc	2
13	805170	Clamp - Casing (BS#)	1	55	117-04	Locknut, Nylon 5/16-24 Zinc	4
13a	805170	Clamp - Casing (BS#)	1	56	612-81	Steering Shaft Asm.	1
14	601-86	Clip, Retainer	1	57	111-04	Pin, Spirol 5/16x1.50	2
17	126-95	Filter, Oil	1	58	107-01	Retaining Ring, N1400-87	1
18		See Section 3.0 Clutch System		59	108-24	Washer - .34x.70x.06 Zinc	2
19	811-14	Spacer	2	60		See Section 3.0 Clutch System	
21	112-57	HHCS 5/8-11x10.00 Gr5 Zinc	1	61	612-77	Cable Asm, Throttle	1
22	117-09	Locknut, Nylon 5/8-11 Zinc	3	62	612-92	Cable Asm, Choke incl. 63	1
23	811-09	Washer, Square .64ID	3	63		Jam Nut, 5/16-24, Part of 62	2
24	811-1c	Washer Asm, Square	2	64	108-24	Washer 5/16 SAE Zinc	2
25	112-58	HHCS 5/8-11x7.50 Gr5 Zinc	2	65	126-75	Knob, Choke - Black	1
26	108-24	Washer 5/16 SAE Zinc	8	66	103-18	HHCS 3/8-24x1.25 Gr5 Zinc	2
27	112-27	HHCS 5/16-18x1.75 Gr5 Zinc	4	67	108-06	Lockwasher, 3/8 S/R, Zinc	2
28	117-21	Locknut, Nylon 5/16-18 Zinc	4	67a	108-06	Lockwasher, 3/8 S/R, Zinc	1
30	127-35	Grip, Molded Rubber	2	67b	108-06	Lockwasher, 3/8 S/R, Zinc	1
31	100-57	Throttle Twist Grip	1	68	108-18	Washer 13/32x1.375 x 11GA	3
32		See Section 1.0 Transmission		69	125-56	Drive Belt	1
33	108-36	Washer .06x1.00x1.375 Zinc	as req	70	103-34	HHCS 3/8-16x1.25 Gr5 Zinc	1
34	612-9E	Lever, Steering - LH	1	71	110-09	Key 1/4 x 1/4 x 3.0	1
35	612-95	Lever, Steering - RH	1	77	103-17	HHCS 3/8-16x1.00 Gr5 Zinc	2
38	117-06	Nut, Fin Hex 1/2-13 Zinc	2	78	108-2G	Washer 3/8 Zinc	2
35	103-53	HHCS 3/8-16x3.0 Full Thread	2	79	603-29	Guard, Belt Protect	1
39a	108-07	Lockwasher 1/2 Zinc	2	80	601-92	Vinyl Trim - 1.5"	1
4c	112-52	HHCS 1/2-13x7.0 Gr5 Zinc	2	81	601-92	Vinyl Trim - 4.25"	1
				83	126-87	Spring, Parking Brake	1
				84	612-80	Holding Brake Lever	1
				85	612-94	Bracket Asm., Mech. Brake	1
				87	127-33	Spring, Extension - Strg Lever	2



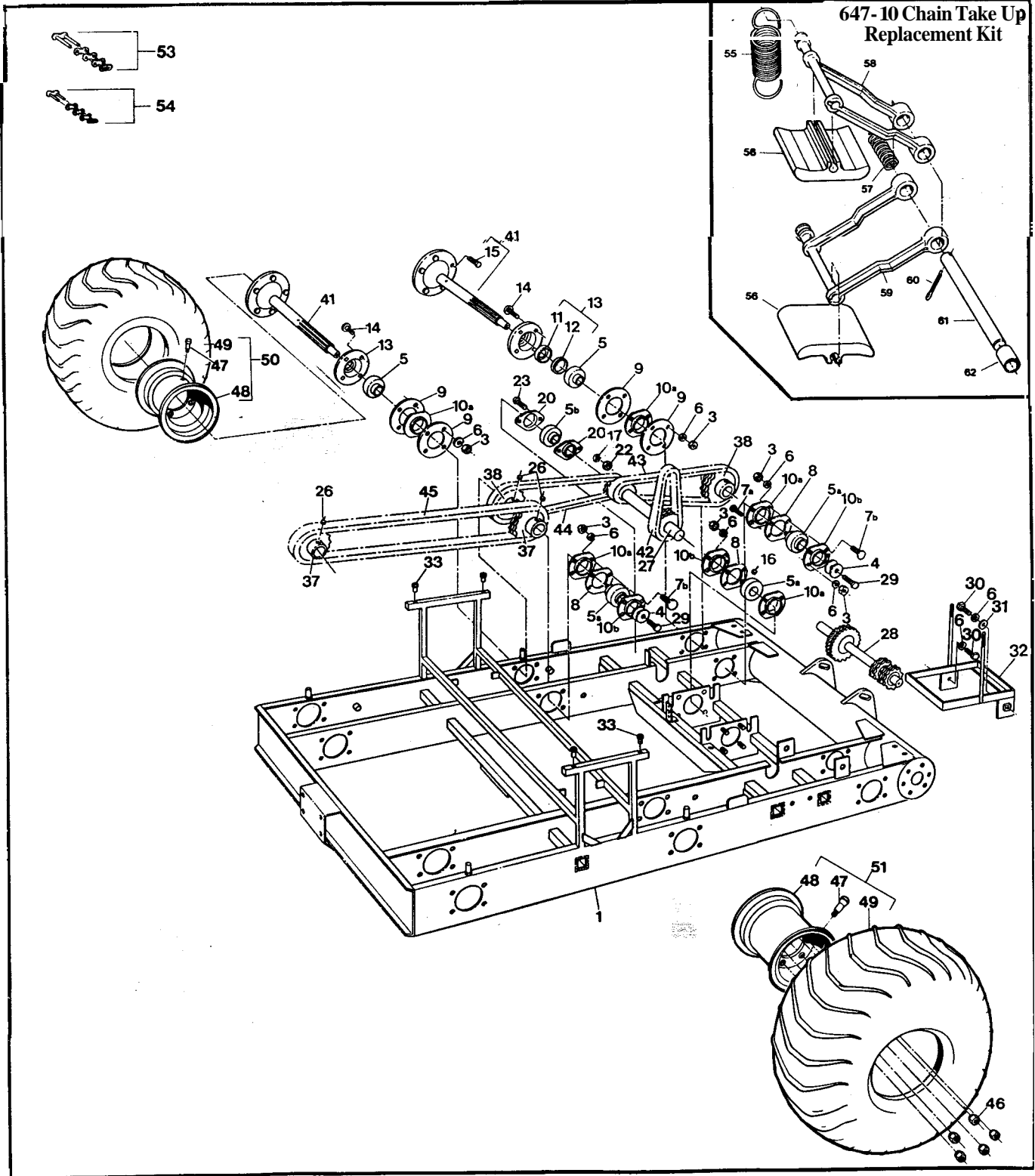
Ref	Part No.	Description	Qty
1	117-46	Locknut, 2-way 5/16-24 Zn	1x2
1a	117-46	Locknut, 2-way 5/16-24 Zn	1x2
1b	117-46	Locknut, 2-way 5/16-24 Zn	1x2
3	108-12	Washer, .34x1.00x.06 Zinc	1x2
4	109-02	Ball, Steel 1/4 Chromestee	2x2
6	100-10	Spring, Compression	2x2
7	103-16	HHCS 5/16-24x3.75 Gr8Zn	1x2
8	103-29	HHCS 5/16-24x2.75 Gr8Zn	1x2
9		See Section 4.0 Power Pack Assembly	
10	120-11	Rivet, 5/32	8x2
11	100-56	Brake Pad, Set of 2	1x2
12	100-54A	Caliper, Brake	2x2
16	100-72A	Brake Assembly (incl. Refs. 1 to 8, 10 to 12)	1x2

Ref	Part No.	Description	Qty
37	668-03	Brake Cooling Kit-Van2 (incl. Refs. 38 to 62)	1
38	100-62	Switch, Light	1
39	125-92	Adpt. & Mounting Kit (incl. Refs. 43 to 50)	
40	125-91	Blower Fan	1
41	120-13	Rivet 3/16" x 5/8"	4
42	613-05	Wire Harness	1
43		Mounting Bracket	1
44		Nut, #10-32	1
45	See	Lockwasher, 3/16"	1
46	125-92	Screw, #10-32 x 2"	1
47	above	Nut, 1/4-20	2
48		Lockwasher, 1/4"	2
49		Screw, 1/4-20 x 5/8"	2
50		Adaptor, 3" dia.	1
52	125-35	Clamp, Gear 3.50" HF-52	3
53	127-44	Hose, Intake 3" dia. x 46"	1
54	601-89	Intake Flange (specify clr)	1
55	126-61	Intake Screen	1
56	112-56	Pan HD Phil T/S #10x3/4 A Zinc	4
57	127-39	Brake Cooling Duct	1
58	108-03	Lockwasher 1/4 Split Ring	4
59	112-19	screw, IHWH T/C Slot 1/4-20x1/2	4
60	668-11	Mounting Bracket - Duct	1
61	118-02	Terminal, Male - #76-125	1
62	118-03	Terminal, Female - #76-128	1

6.0 Vehicle Body & Firewall Vanguard Parts Manual



Ref	Part No.	Description	Qty	Ref	Part No.	Description	Qty
1	601-32	Body + Hood, Upper - Van. Replacement, specify colour (incl. Ref 5, 11, 12, 13, 14, 15 & 38)	1	36a	120-04	Washer, .195x.50x.08 Zinc	46
				36b	120-05	Washer, .195x.50x.04 Zinc	2
				36c	120-04		
2	603-91	Body, Lower - 6x6, specify colour	1	37	126-60	Vinyl Strip 1/2"x 1/4"x37.5'	1
3	127-28	Plug, Nylon - Black	1	38	120-05	Washer, .19x.50x.04 Zinc	2
4	601-05	Bumper, Vinyl - 6 x 6	1	39	100-16	Clip, Hitch Pin 1.625 Zinc	4
5	602-37	Hood Kit, Vanguard specify colour (incl. Ref 6 to 10 & 36c)	1	40	100-18	Plug, Drain 5/8" x 13/32"	2
6	801-47	Duct, Intake Transition, specify colour	1	41	601-03	Seat, Rear LH - 6x6	1
7a	27-45A	Pin, Hinge	2	42	601-02	Seat, Rear RH - 6x6	1
7b	127-45B	Knuckle, Hinge	2	43	603-15	Washer, Plastic	2
8a	103-47	HHCS 10-24x 3/8	8	44a	108-01	Washer, Fender 1/4 SAE Zinc	2
8b	120-13	Rivet 3/16 x 5/8	7	45	103-08	HHCS 1/4-20x 1.00 Zinc	2
8c	120-13	Rivet 3/16 x 5/8	5	50	126-72	Plate, Holding Brake	1
8d	120-09	Rivet 3/16 x 1	5				
9	126-10	Wing Stud	1	51	126-65	Shifting Plate	1
10	126-09	Grommet, Alum, #GH-7	1	52	127-26	Steering Lever Plate & Winch	1
11	602-24	Hood Support Assembly	1	53	126-67	Floor Pan Plate	1
12	120-15	Rivet 1/8 x 7/16	2	54	126-68	Operation Plate	1
13	601-69	Spring Plate	1	55	126-69	Fuel Plate	1
14	126-11	Spring	1	56	126-70	Vehicle Capacity Plate	1
15	112-19	Screw, IHWH T/C Slot 1/4-20x 0.5"	2	57	126-64	Vehicle ID Plate	1
16	602-29	Brace, Dash	1	58		U.S. Plate, Non U.S. Argo only	1
17	601-08	Vinyl Trim, 84"	1	59	127-51	Plate, Capacity - 6x6	1
18	601-09	Vinyl Trim, 28"	2	60	126-73	French Decals, incl. 51-58 available as set only	1
19	626-10	Hitch Kit (Opt.)	1	61	125-41	Dash Handle, incl. 62	1
25	117-44	T-Nut 1/4-20 PL	4	62		Plug cap, avail. only with 61	2
26	120-24	Rivet, Alum, 3/32x3/8-all plates	38	63	117-10	Locknut, Nylon #10-24 Zinc	3
27a	120-09	Rivet, 3/16 x 1	46	64	126-88	Bumper, Rubber	1
27b	120-09	Rivet, 3/16 x 1	25	65	103-25	PHMS #10-24x 3/4" Zinc	3
28	601-44	Nameplate, "ARGO"	1	66	602-38	Clip, Hood	1
28a	127-41	Nameplate, 6x6 Vanguard2	2	67a	613-75	Bezel, Headlamp	2
30	609-36	Firewall - Vanguard	1	67b	613-76	Bracket, Headlight Backing	2
31	103-72	screw, IHWH T/C Slot 1/4-20x3/4	2	68		See Section 9.0 Electrical System	
32	108-08	Washer, 1/4 SAE Zinc	2	69	103-24	OHPS T/S #6 x 1.00 Black	8
34	803-02	Floor Pan, Front, specify colour	1	73	117-15	Nut, Fin. Hex 3/8- 16 Zinc	1
35	603-03	Floor Pan, Rear 6x6, specify colour	1	74	602-27	Support, Adjustable	1
				75	103-89	C/Bolt 3/8-16 x .75 Gr2 Zinc	1
				76	108-06	Lockwasher, 3/8 S/R, Zinc	1
				80	127-01	Reflector, Red	2
				81	103-48	Pan HD Phil T/S #10x5/8 A Zinc	4

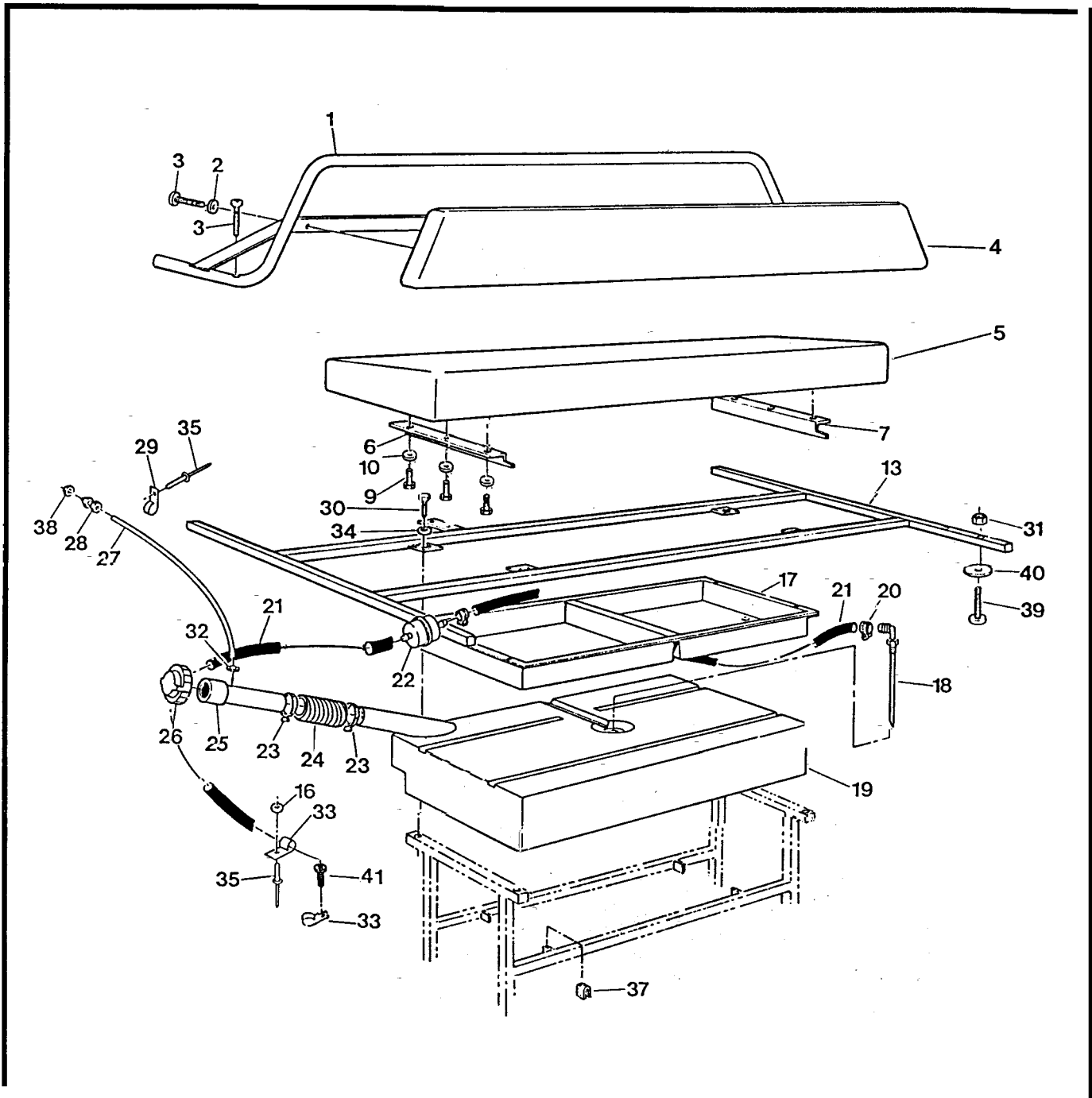


Vanguard Parts Manual 7.0 Frame and Drive System

Ref	Part No.	Description	Qty
1	606-50	Frame Asm. - 6x6 Vanguard	1
3	117-15	Nut, Fin Hex 3/8-16 Zinc	56
4	108-46	Washer, 13/32x1.375 Hi-Carb	12
5	101-35	Bearing, Ball #1030-1.25 GFS	6
5a	101-41	Bearing, Ball #1030-1 GFS	8
5b	101-30	Bearing, Ball 1.0 Setscrew	2
6	108-06	Lockwasher, 3/8" S/R, Zinc	58
7a	103-82	HHCS 3/8-16x1.5 Gr5 Zinc	2
7b	103-88	C/Bolt 3/8-16x1.00 Gr5 Zinc	22
8	605-99	Gasket, Flange	8
9	605-89	Gasket, Outer Bearing Flange	12
10a	605-63	Flange, Bearing - Outer	14
10b	101-20	Flange Assem., Bearing	8
11	102-14	Seal, Oil CR #12361	6
12	102-15	Seal, Oil CR #12379	6
13	605-97	Flange Assem., Outer (incl. Refs. 11 & 12)	6
14	112-39	C. Bolt, 3/8-16x1-3/4" Gr5Zc	24
15	103-80	Stud, Wheel 7/16-20x1.125	5x6
16	112-60	SHSS 1/4x28x1/2 Cup Pt. Bare	4
17	108-05	Lockwasher, 5/16" Split Ring	4
20	101-14	Flangette - 2 Hole - Trim 1"	4
22	117-04	Locknut, Nylon 5/16-24 Zinc	4
23	103-46	HHCS 5/16-24x1.00 Gr5 Zinc	4
26	112-03	SHSS 5/16-18x3/8 1/2 DOG, PL	6
27	606-30	Idler Asm - L 4x11T 2x24T	1
28	606-31	Idler Asm - R 4x11T 2x24T	1
29	112-31	HHCS 3/8-16x1.0 2B Gr8 Zc	6
30	112-14	HHCS 3/8-16x.750 Gr5 Zc	2
31	108-15	Washer 3/8 SAE Zinc	1
32	604-84	Frame Asm. - Battery	1
33	117-64	Insert, 1/4-20	4

Ref	Part No.	Description	Qty
37	810-29	Sprocket, M/R Axle - 19T	4
38	810-28	Sprocket, Front Axle - 24T	4
41	810-75	Axle Asm (incl. Ref. 15)	6
42	603-22	Chain, Idler RC40-2x46P (incl. Ref. 54)	2
43	603-17	Chain, RC50-2x42P-Frt. (incl. Ref. 53)	2
44	603-20	Chain, RC50-2x70P-Mid. (incl. Ref. 53)	2
45	603-21	Chain, RC50-2x96P-Rear (incl. Ref. 53)	2
46	117-35	Nut, Wheel 7/16-20 Zinc	5x6
47	125-26	Valve, Tire	6
48	125-13C	Rim, 8x7-5 Bolt	6
49	126-96	Tire, Goodyear Runamuk 22x10-8	6
50	126-98C	Tire & Rim Asm. - LH (incl. Refs. 48 & 49)	3
51	126-97C	Tire & Rim Asm. - RH (incl. Refs. 48 & 49)	3
53	100-96	Con. Link, RC50-2 H.D.	1x6
54	100-97	Con. Link, RC40-2 H.D.	1x2
55	125-61	Spring, Tensioner	1x4
56	603-61	Slider Block	2x4
57	125-78	Spring, Spacer	1x4
58	603-77	Upr Chn Tensioner Arm	1x4
59	603-76	Lwr Chn Tensioner Arm	1x4
60	100-01	Pin, Cotter 1/8x1.5" Zinc	1x4
61	603-78	Pivot Pin	1x4
62	603-66	Spacer, .500 ID x .625 lg	1x4
	647-10	Chain Take Up Replacement Kit (incl. Refs 55 thru 62 as shown)	4

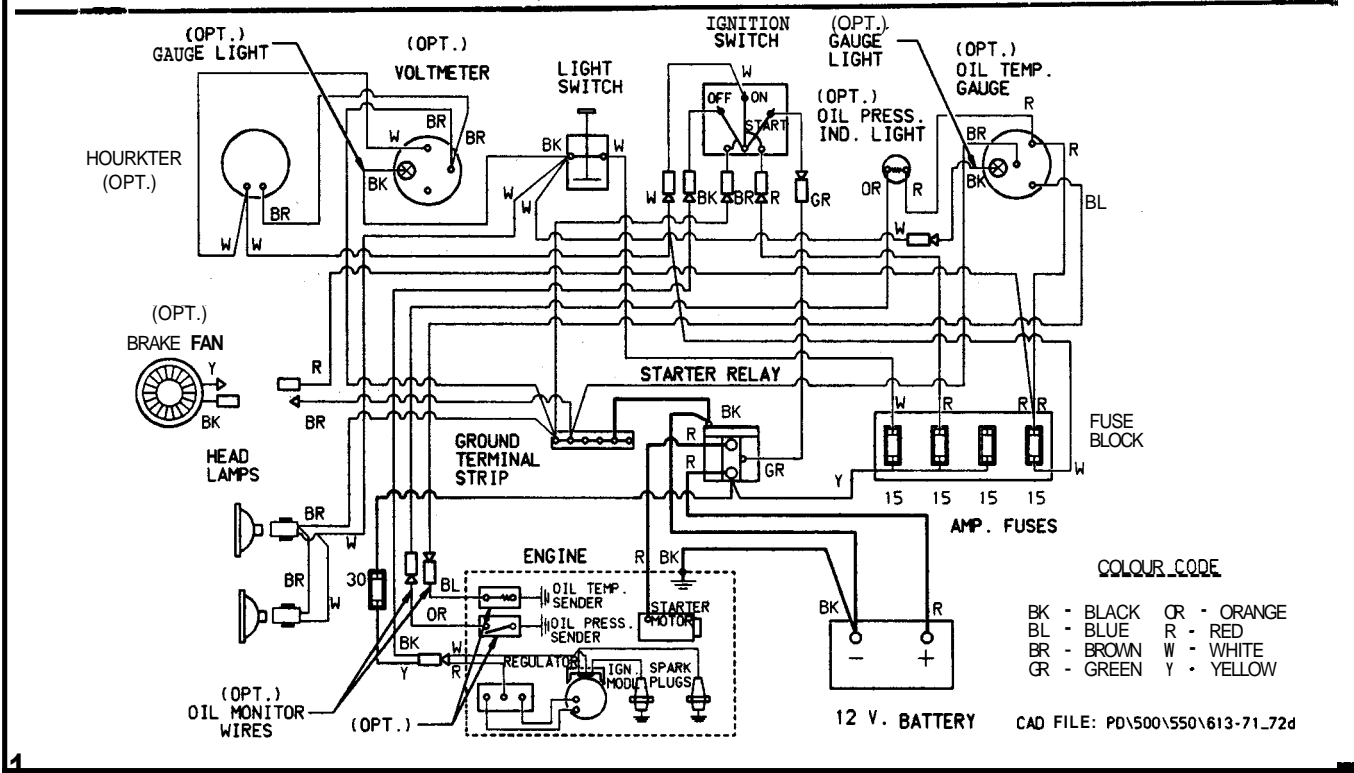
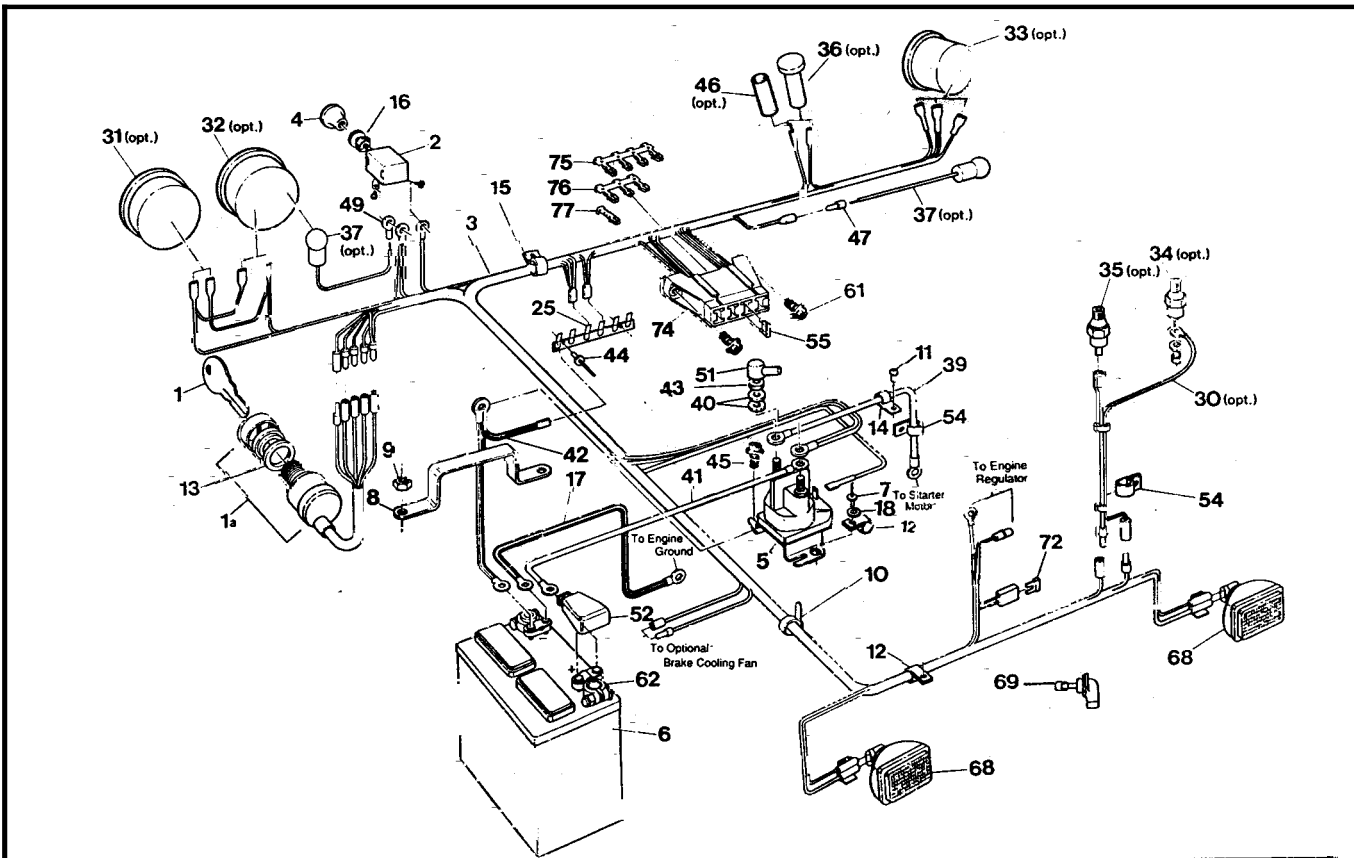
8.0 Fuel System and Seat Assembly Vanguard Parts Manual



Vanguard Parts Manual 8.0 Fuel System and Seat Assembly

Ref	Part No.	Description	Qty
1	803-50	Handrail Assembly	1
2	108-03	Lockwasher, 1/4 split ring Zinc	4
3	112-41	PHMS, PHIL 1/4-20x1.250 Zinc	6
4	608-39	Back Pad Assembly	1
5	608-43	Seat, Bench	1
6	608-30	Angle, Left	1
7	608-31	Angle, Right	1
9	112-04	HHCS 1/4-20x3/4 Gr2 Zinc	6
10	108-03	Lockwasher 1/4 split ring Zinc	6
13	804-17	Frame Assembly, Seat	1
16	120-04	Washer, .195x.50x.08 Zinc	3
17	608-32	Tool Box	1
18	608-28	Pickup Assembly, Fuel (see Ref. 19)	1
19	608-24	Tank, Fuel 32 litre (incl. Ref. 18)	1
20	100-7C	Clamp, Gear 1/2" HF4	4

Ref	Part No.	Description	Qty
21	608-42	Fuel Hose, 110"	1
22	125-64	Fuel Filter, G 81-4	1
23	100-12	Clamp, Gear 2.25" HF36	2
24	125-94	Hose, Filler	1
25	126-47	Fuel Neck Assembly	1
26	126-46	Cap, Fuel	1
27	126-77	Hose, Vent 93" 6x6	1
28	126-50	Male Connector, 1/4"	1
29	126-94	Clamp, Nylon Wire, 1/4" II	4
30	112-34	HHCS 1/4-20x 3/4 Gr2 Zinc	4
31	117-10	Locknut, Nylon #10-24 Zinc	12
32	126-62	Clamp, Gear 1/4" 2-Ear #050	1
33	126-93	Clamp, Nylon Wire, 1/2" ID	4
34	108-08	Washer, .28x .62x .04 Zinc	4
35	120-09	Rivet, 3/16 x 1	3
36	120-13	Rivet, 3/16 x 5/8	6
37	702-06	Foam Cushion	4
38	117-54	Locking PAL Nut, 1/2-20 zinc	1
39	112-07	RHMS , 10-24 x 1.25 Zinc	12
40	108-42	Washer, .062 x 7/32 x 1.00 Zinc	12
41	103-48	T/S Pan HD Phil #10-5/8 A Zinc	1



Ref	Part No.	Description	Qty	Ref	Part No.	Description	Qty
1	100-39A	Key	1	41	613-26	Power Cable	1
1a	126-17	Ignition Switch, incl. Ref 1	1	42	613-58	Ground Wire	1
2	100-62	Switch, Light	1	43	117-20	Nut, Fin. Hex, 1/4-20 Zinc	2
3	613-71	Main Wire Harness, (incl. Ref. 74, 76, 77)	1	44	120-15	Rivet, 1/8 x 7/16	2
4	126-76	Knob, Light	1	45	112-19	Screw, IHWH. T/C 1/4-20 x 1/2	2
5	613-68	Starter Relay	1	46	118-48	Heat Shrink, 2 x 1/2 (opt.)	1
6	127-54	Battery	1	47	118-02	Terminal, Male-#76-1251-88	1
7	120-09	Rivet	1	49	118-30	Terminal, Eye - #10	1
8	604-52	Battery Retaining Bracket	1	51	613-45	Terminal Insulator (6 ga.)	1
9	117-21	Locknut, Nylon 5/16-18 Zinc	2	52	127-55	Cap, Battery Terminal - Red	1
10	100-64	Tie Wrap, 5.5" - Black	8	54	126-83	Clip, Hose 5/16 ID #C-950PC	2
11	103-48	Pan HD PHIL T/S#10x5/8 A Zinc	1	55	118-49	Fuse, 15 Amp, 2-prong (AT015)	4
12	126-93	Clamp, Nylon Wire - 1/2" ID	11	61	112-51	Screw, IHWH T/C #10-24x5/8	2
13	108-57	Washer, 3/4" ID, Tooth Lock	1	62	127-56	Terminal Bat. Post	2
14	126-93	Clamp, Nylon Wire - 1/2" ID	1	68	613-69	Headlamp, Halogen (incl. Ref. 69)	2
15	127-24	Clamp, Nylon - 1" ID	1	69	127-46	Bulb, Headlight - Halogen	2
16	108-55	Lockwasher, Ext. Tooth 7/16"	1	72	118-51	Fuse, 30A 2-prong (AT030)	1
17	613-18	Ground Wire	1	74	118-60	Block - Fuse, 8 position (incl. with Ref. 3)	1
18	120-04	Washer	1	75	118-61	Terminal - Fuse, quad (opt.)	1
25	613-37	Ground Terminal Strip	1	76	118-63	Terminal - Fuse, triple	1
30	613-38	Oil Monitor Wires (opt.)	1	77	118-62	Terminal - Fuse, single	5
31	632-15	Hourmeter, #56458-10 (#876EM) (opt.)	1				
32	633-10	Voltmeter, #07583-15 (#830EM)	1				
33	634-11	Oil Temp. Gauge #07556-88 (#828EM) (opt.)	1				
34	634-12	Oil Temp. Sender #02024-00 (opt.)	1				
35	52.099.06	Oil Pressure Switch, 6 psi (opt.) (Kohler #)	1				
36	634-08	Engine Oil Pressure Light (opt.)	1				
37	634-10	Light Kit, #06215-00 5/8" dia, see Ref. 32 & 33 (opt.)	2				
39	613-49	Cable, Starter	1				
40	108-03	Lockwasher, 1/4 Zinc	5				

ARGO Products Manufactured by:

Ontario Drive & Gear Limited

P.O. Box 280, Bleams Road

New Hamburg, Ontario

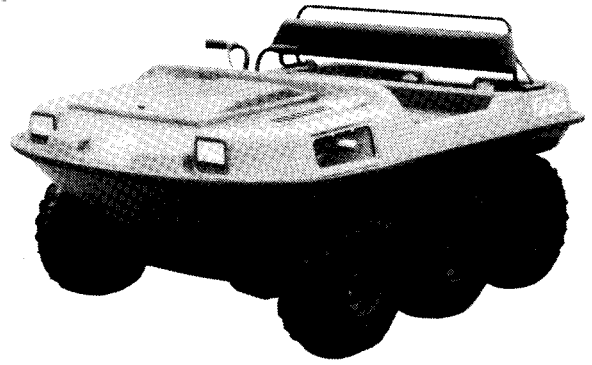
CANADA NOB 2G0

Phone: (519) 662-2840

Fax: (519) 662-2421

ODG *Dedicated to quality and performance*

Argo 6x6
VANGUARD



ARGO

VANGUARD

PARTS MANUAL

Model No. V699-51
From Serial #S10178

Foreword

ODG has prepared this manual for the **VANGUARD** model to assist both qualified mechanics and vehicle owners in ordering correct, quality replacement **ARGO** parts.

Proper and regular service, and replacing old, worn or broken parts with the correct **ARGO** replacement parts, are both essential to prolonging the life of the **ARGO**. Please refer to this parts manual before ordering any replacement part.

All information contained in this **VANGUARD** Parts Manual is based on the latest product specification available at time of printing. If your **VANGUARD** differs from the specifications contained in this manual, **contact Ontario Drive & Gear Limited for information.**

ODG reserves the right to alter specifications on the **VANGUARD** model at any time, without obligation or prior notification.

Reproduction of the **VANGUARD** Parts Manual No. 699-51, in whole or in part, is prohibited without prior written permission from **Ontario Drive & Gear Limited.**

Model Identification

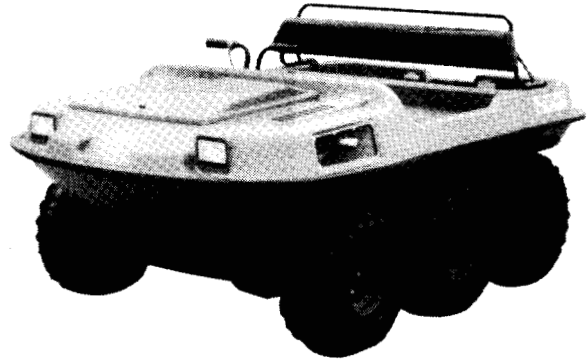
VANGUARD - Model No. V699-51

Explanation of Parts Manual Format

Ref	- Reference number between Assembly Diagram and Component Parts List
Part No.	- Argo replacement part number for identification and re-ordering
Description	- Part description for identification and re-ordering
Qty	- Indicates the quantity of a part used in an Assembly

ARGO 6x6

VANGUARD

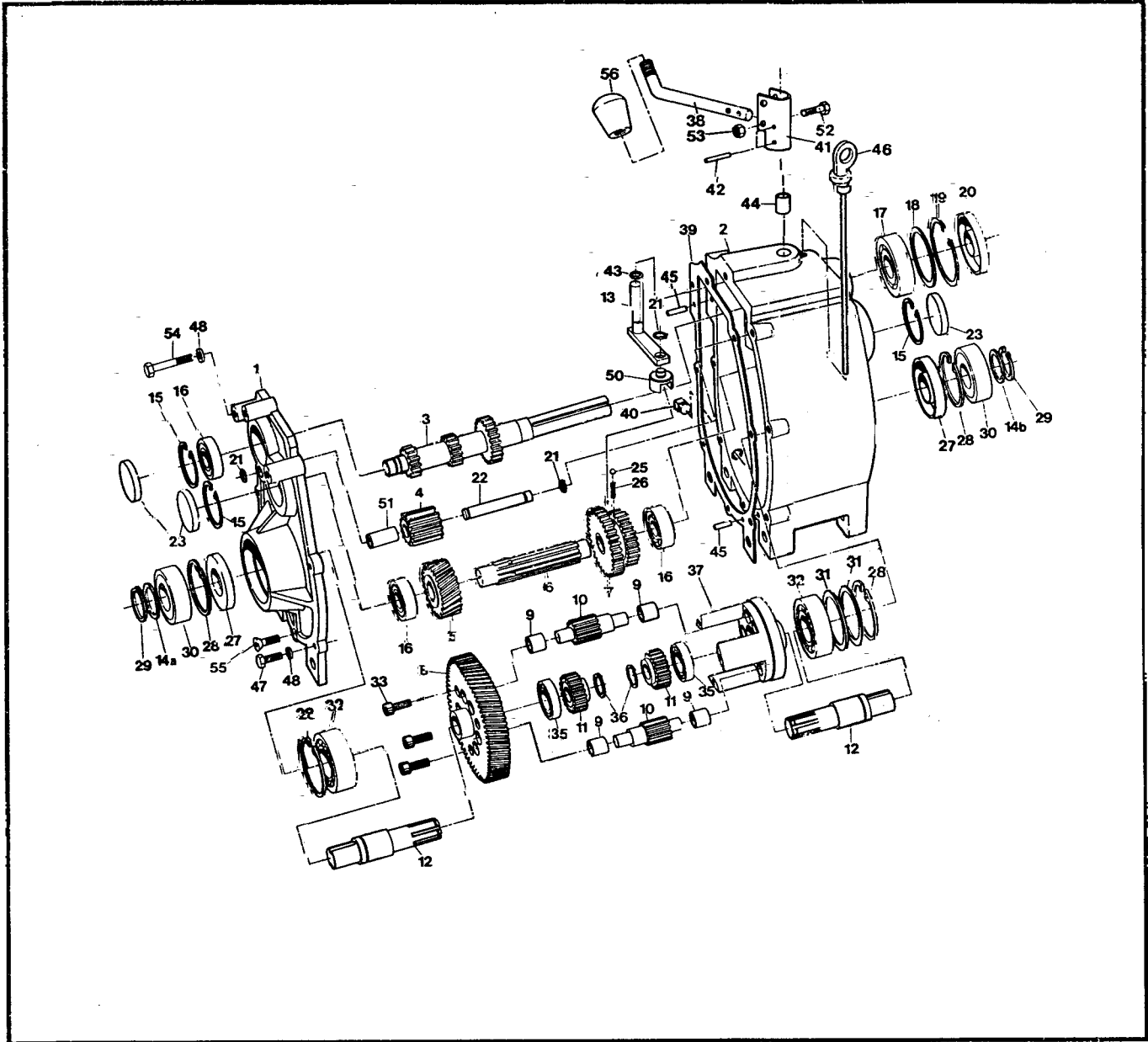


Using the Parts Manual

1. Find the major vehicle assembly in the Table of Contents on this page, and turn to that section.
2. Locate the part in the illustration that you wish to order.
3. Refer to the part list in that section.
4. Find the correct part number (Part No.), part description (Description) and correct quantity (Qty).
5. Use *only* this information to order **ARGO** replacement parts. **DO NOT** attempt to order a replacement part by Ref number or page number.

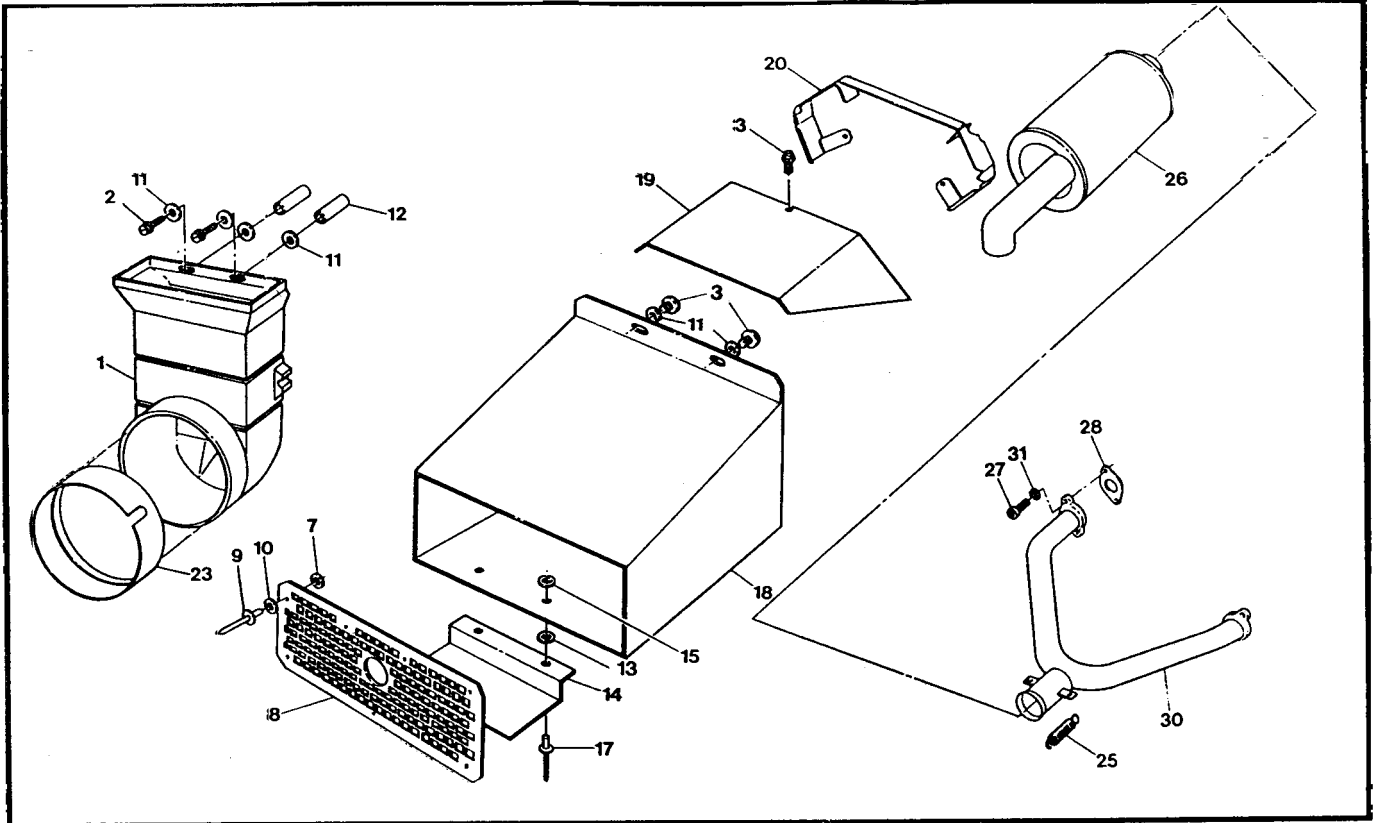
Table of Contents

Foreword	i
Model Identification	i
Using the Parts Manual	ii
1.0 Transmission	1
2.0 Intake and Exhaust System	3
3.0 Clutch System	3
4.0 Power Pack System	5
5.0 Brake System	7
6.0 Vehicle Body & Firewall	9
7.0 Frame & Drive System	11
8.0 Fuel System & Seat Assembly	13
9.0 Electrical System	15

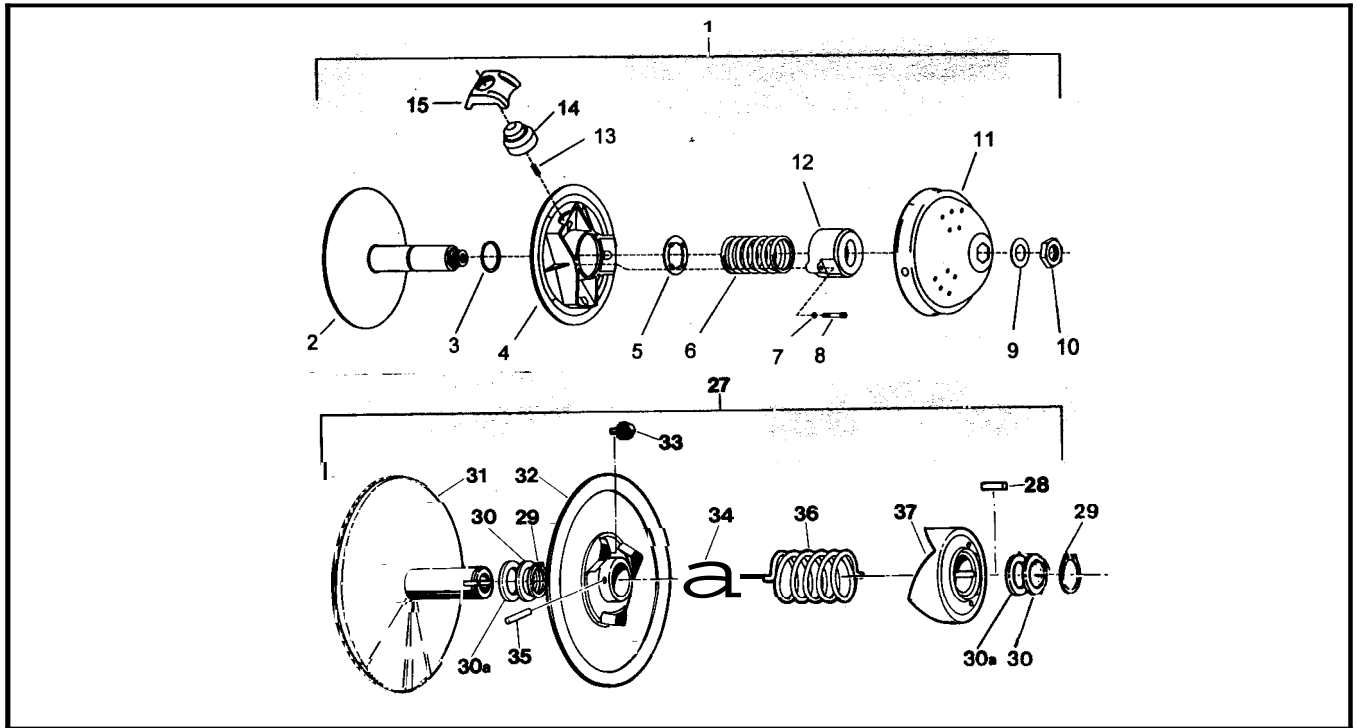


Ref	Qty	Part No.	Description
		610-17HU	Transmission Asm - HU , (does not include Refs 38, 52, 53 & 56)
1	1	34-68	Cover, Transmission
2	1	34-99	Housing, Transmission
3	1	34-21	Shaft, Input - 13/21T
4	1	34-16A	Gear, Idler 13T (incl. Ref. 51)
5	1	34-96	Gear, Helical - 26T-H
6	1	34-94	Shaft, Spline
7	1	34-91	Gear, Double - 26/33T
8	1	34-43	Gear Plate - 71T-H
9	12	105-03	Bushing, Oilite 1/2 x 3/4
10	6	34-13	Gear, Planet - 12T
11	2	34-14	Gear, Sun - 21T
12	2	34-81	Shaft, Output
13	1	34-65	Shifter Asm
14a	1	114-04	Washer, Shim .040 Thk
14b	1	114-05	Washer, Shim .020 Thk
15	3	106-01	Retaining Ring
16	3	101-01	Bearing, Ball 6204Z-C3
17	1	101-16	Bearing, Ball 6206-C3
18	as req.	114-02	Washer, Shim
19	1	106-05	Retaining Ring
20	1	102-05	Seal, Oil WBS 30x62x10
21	3	107-05	Retaining Ring
22	1	34-11	Pin, Dowel 1/2 x 3.50
23	3	31-07	Plug plate
25	1	109-05	Ball, Steel 6mm 62-67 Rc
26	1	34-32	Spring, Compression - 7/32 x 0.50
27	2	102-03	Seal, Oil WBS 30x72x10
28	4	106-03	Retaining Ring
29	2	107-02	Retaining Ring
30	2	101-05	Bearing, Ball 6306-2NSE C3
31	2	114-01	Washer, Shim .020x2.25x2.81
32	2	101-03	Bearing, Ball 6207-C3
33	3	103-04	SHCS 5/16-18 x 1.00 Bare
35	2	101-15	Bearing, Ball 6005-C3
36	2	107-04	Retaining Ring
37	1	34-08	Cage
38	1	610-67	Lever, Shift
39	1	34-47	Gasket, Cover - 1/64"Thk
40	1	103-02	Plug, Magnetic 3/8 - 18 NPT Sq. Hd.
41	1	34-86	Holder, Shift Lever
42	2	111-01	Pin, Slotted Spring 5/32 x 1.00
43	1	113-01	O-Ring 012-7147
44	1	105-02	Bushing, Oilite 1/2 x 1.0
45	2	104-03	Pin, Dowel 1/4 x 7/8
46	1	34-77	Dipstick - with Breather
47	4	103-06	HHCS 5/16-18x1.00 GR5 Zinc
48	7	108-05	Lockwasher 5/16
50	1	34-63	Shift Yoke
51	1	105-05	Bushing, Oilite 1/2 x 1.5 (in Ref 4)
52	■	103-97	HHCS 1/4-20x1.25 GR5 Zinc
53	1	117-27	Locknut, Nylon 1/4-20 Zinc
54	3	103-84	HHCS 5/16-18x2.25 GR5 Zinc
55	1	103-95	FHSC 5/16-18x1.0 GR8 Zinc
56	1	126-38	Knob, Shift

2.0 Intake and Exhaust System Vanguard Parts Manual



3.0 Clutch System



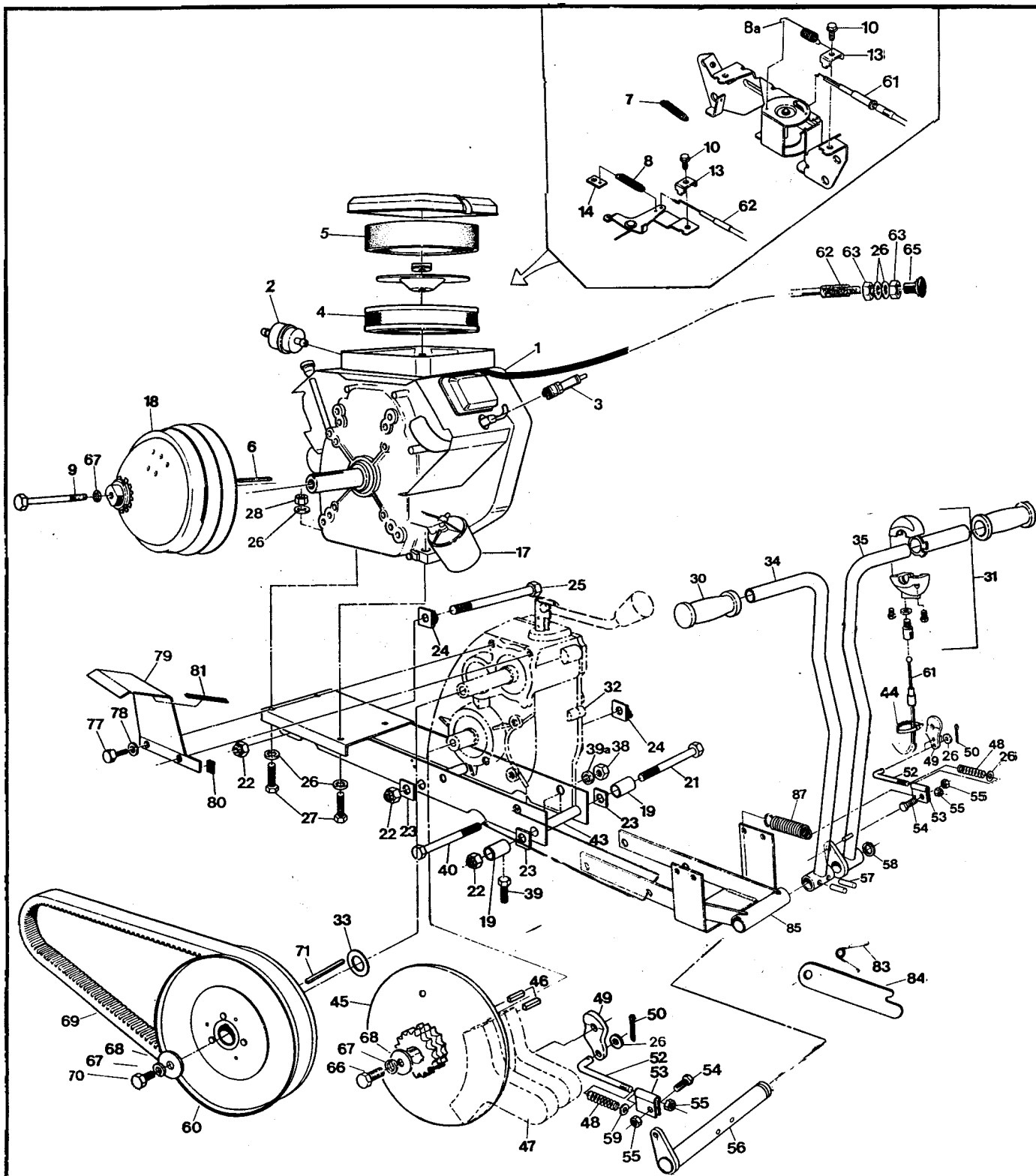
Vanguard Parts Manual 2.0 Intake & Exhaust System

Ref	Qty	Part No.	Description
1	1	603-81	Duct, Intake
2	2	112-48	Screw, T/S HH#14x2.25 Zinc
3	5	112-19	Screw, IHWH T/C Slot 114-20x112
7	7	120-05	Washer, .19x.50x.04 Zinc
8	1	707-31	Screen, Exhaust
9	7	120-09	Rivet 3/16 x 1
10	7	125-59	Washer, Fibre -.062x.25x.50
11	6	108-08	Washer, 1/4 SAE Zinc
12	2	120-29	Spacer, 26IDx1.12LG
13	2	125-58	Washer, Fibre - W-77F
14	1	707-28	Support, Exhaust Duct
15	2	120-04	Washer, .19x.50x.08 Zinc
17	2	120-13	Rivet - 3/16x5/8
18	1	707-32	Duct, Exhaust
19	1	707-26	Cover, Engine Duct
20	1	707-25	Duct, Engine
23	1	603-82	Seal
25	2	126-57	Spring, Extension
26	1	707-15	Muffler
27	4	112-30	SHCS, M8x1.25x20.0 Zinc
28	2	805024	Gasket
30	1	707-05	Manifold, Exhaust
31	4	108-02	Lockwasher, Hi-Collar 5/16, Bare

3.0 Clutch System

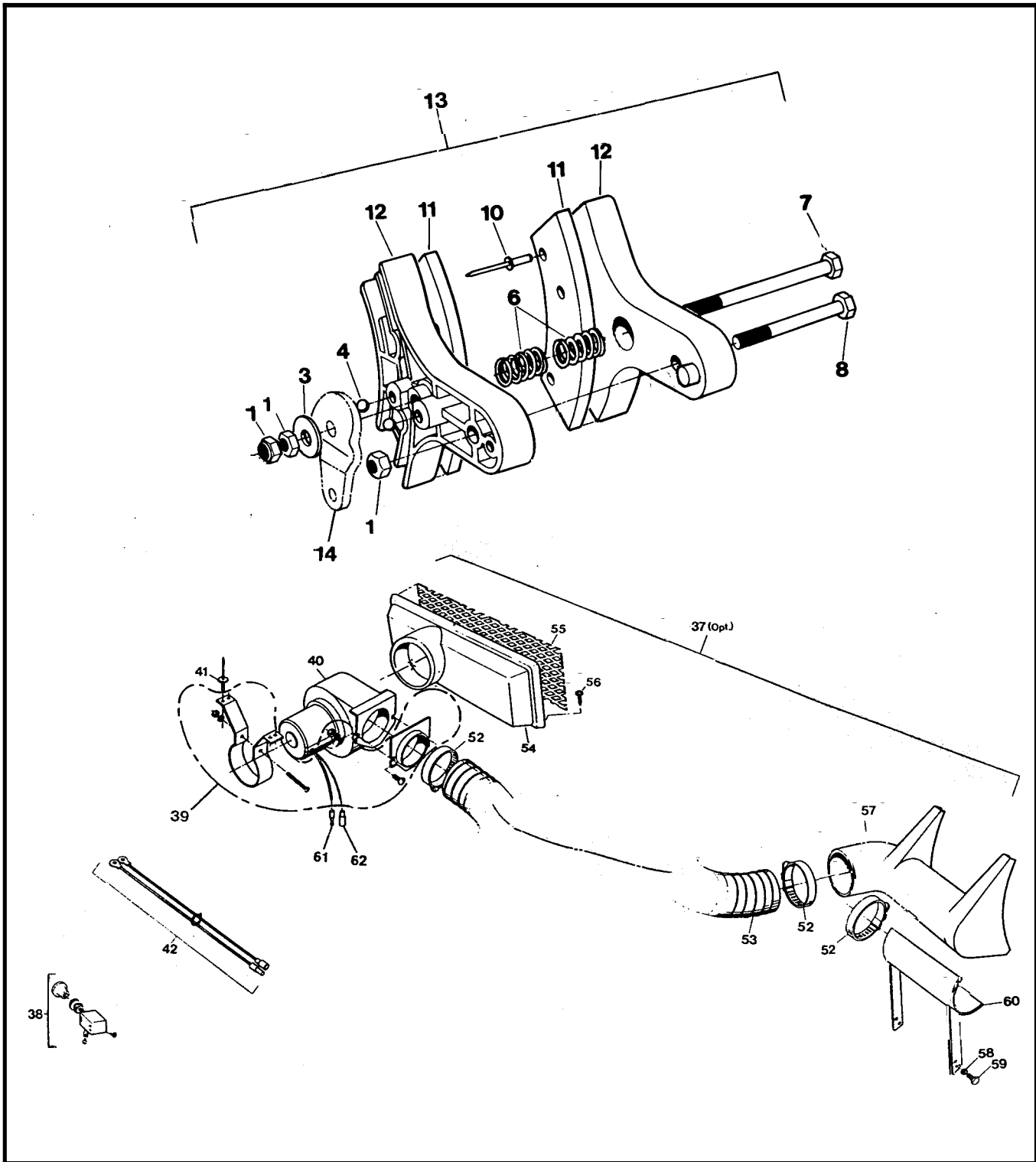
Ref	Qty	Part No.	Description
1	1	127-72	Clutch, Driver, keyed (incl. Refs. 2 to 15) IBC #0400-0028
2	1	0405-0021	Pulley, Half - Fixed
3	1	V08	Ring, Retaining
4	1	0410-0007	Pulley, Half - Sliding
5	1	V09	Plate, Spring Guide
6	1	V10-48-108-18	Spring
7	3	420-2453-700	Lockwasher
8	3	222-9640-66	SHCS
9	1	0080-0153	Washer
10	1	0080-0100	Nut
11	1	0115-0015(B)	Cap
12	1	0440-0001	Cover, Spring
13	3	C24-L1	Spring, Anti-Noise
14	3	C13-200	Weight - 2009
15	3	0130-3002	Block, Red
27	1	126-24	Clutch, Driven-Model "B" SODB0001 (incl. Refs. 28 to 37)
28	1	ASK-5	Key 1/4 x 1/4 x 5/8
29	2	ASR-6	Retaining Ring
30	as req	ASA-1	Spacer .050" Thick
30a	as req	ASA-1-S	Spacer .025" Thick
31	1	AFK25.4-2500D01	Pulley, Half - Fixed
32	1	AMC-2-2500D01	Pulley, Half - Sliding incl. Refs. 33, 34 and 35
33	3	ANS-2-T	Shoe, Cam
34	1	AMB-2	Bushing, Bronze
35	1	111-01	Pin, Spring 5/32 x 1.00 Slotted
36	1	ACS-3-188	Spring, Blue
37	1	AFC-4-C3D4	Cam

4.0 Power Pack Assembly Vanguard Parts Manual



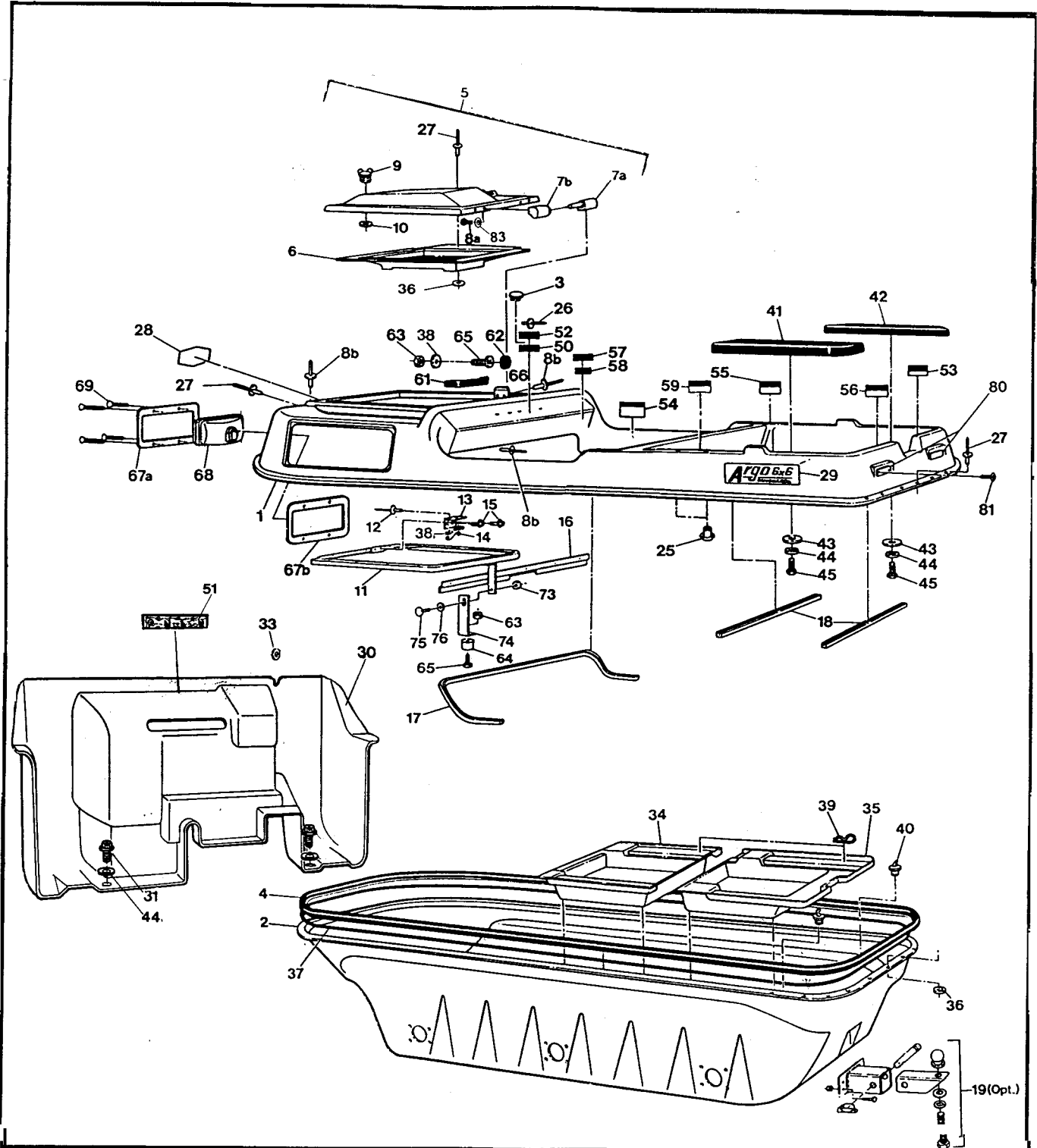
Vanguard Parts Manual 4.0 Power Pack Assembly

Ref	Qty	Part No.	Description
			Engine - Vanguard V-Twin 16 HP (incl. refs. 2-14, 17) B&S#3034471026E1
2	1	126-52	Fuel filter, G81-4
3	2	126-74	Spark Plug#3926
4	1	394018	Filter - Air (B&S#)
5	1	272490	Element, - Foam (B&S#)
6	1	110-03	Key 1/4x3/16x2.375 RC46
7	1	805523	Spring, Governor - Green
8	1	125-88	Spring, Extension
8a	1	127-49	Spring, Return
9	1	112-28	HHCS 3/8-24x4.5 Gr5 Zinc
10	2	805169	Screw-Hex Head (BS #)
13	2	805170	Clamp - Casing (BS #)
14	1	601-86	Clip, Retainer
17	1	126-95	Filter, Oil
18			See Section 3.0 Clutch
19	2	811-14	Spacer
21	1	112-57	HHCS 5/8-11x10.00 Gr5 Zinc
22	3	117-09	Locknut, Nylon 5/8-11 Zinc
23	5	811-09	Washer, Square .64ID
24	2	811-15	Washer, Square lock .64ID
25	2	112-58	HHCS 5/8-11x7.50 Gr5 Zinc
26	14	108-24	Washer 5/16 SAE Zinc
27	4	112-27	HHCS 5/16-18x1.75 Gr5 Zinc
28	4	117-21	Locknut, Nylon 5/16-18 Zinc
30	2	127-35	Grip, Molded Rubber
31	1	100-57	Throttle Twist Grip
32			See Section 1.0 Transmission
33	as req	108-36	Washer .06x1.00x1.375 Zinc
34	1	612-98	Lever, Steering - LH
35	1	612-99	Lever, Steering - RH
38	2	117-06	Nut, Fin Hex 1/2-13 Zinc
39	2	103-53	HHCS 3/8-16x3.0 Full Thread
39a	2	108-07	Lockwasher 1/2
40	2	112-52	HHCS 1/2-13x7.0 Gr5 Zinc
43	1	611-66	Frame-Power Pack
44	1	100-64	Tie-Wrap - 5, 5 - Black
45	2	610-24H	Brake Disc-#40-2x15T
46	4	110-14	Key 1/4x1/4x1.25
47			See Section 5.0 Brake System
48	2	127-48	Spring, Comp. .54x1.90
49	2	61241	Brake Cam
50	2	100-03	Pin, Cotter 3/32x.750 Zinc
52	2	612-21	Brake Adjusting Rod
53	2	612-20	Steering Rod Clamp
54	2	103-46	HHCS 5/16-24x1.0 Gr5 Zinc
55	4	117-04	Locknut, Nylon 5/16-24 Zinc
56	1	612-81	Steering Shaft Asm.
57	2	111-04	Pin, Spirol 5/16x1.50
58	1	107-01	Retaining Ring
60			See Section 3.0 Clutch System
61	1	612-77	Cable Asm, Throttle
62	1	612-92	Cable Asm, Choke (incl. 63)
63	2		Jam Nut, 5/16-24 (Part of 62)
65	1	126-75	Knob, Choke - Black
66	2	103-18	HHCS 3/8-24x1.25 Gr5 Zinc
67	4	108-06	Lockwasher 3/8
68	3	108-18	Washer 13/32x1.375 x 11GA
69	1	125-56	Drive Belt
70	1	103-34	HHCS 3/8-16x1.25 Gr5 Zinc
71	1	110-09	Key 1/4 x 1/4 x 3.0
77	2	103-17	HHCS 3/8-16x1.0 Gr5 Zinc
78	2	108-26	Washer 3/8 Zinc
79	1	603-29	Guard, Belt Protect
80	1	601-92	Vinyl Trim - 1.5"
81	1	601-93	Vinyl Trim - 4.25"
83	1	126-87	Spring, Parking Brake
84	1	612-80	Holding Brake Lever
85	1	612-94	Bracket Asm., Mech. Brake
87	2	127-33	Spring, Extension - Strg Lever



Ref	Qty	Part No.	Description
1	3x2	117-46	Locknut, 2-way 5/16-24 Zn
3	1x2	108-12	Washer, .34x1.00x.06 Zinc
4	2x2	109-02	Ball, Steel 1/4 Chromesteel
6	2x2	100-10	Spring, Compression
7	1x2	103-16	HHCS 5/16-24x3.75 Gr8Zn
8	1x2	103-29	HHCS 5/16-24x2.75 Gr8Zn
10	8x2	120-11	Rivet - 5/32x9/16
11	1x2	100-56	Brake Pad, Set of 2
12	2x2	100-54A	Caliper, Brake
13	1x2	100-72A	Brake Assembly (incl. Refs. 1 to to 12)
14			See Section 4.0 Power Pack Assembly
37	1	668-03	Brake Cooling Kit-Van2 (incl. Refs. 38 to 62)
38	1	100-62	Switch, Light
39		125-92	Adpt. & Mounting Kit (incl. Refs. 43 to 50)
40	1	125-91	Blower Fan
41	4	120-13	Rivet - 3/16x5/8
42	1	613-05	Wire Harness
43	1		Mounting Bracket
44	1		Nut, #10-32
45	1	See	Lockwasher, 3/16"
46	1	125-92	Screw, #10-32 x 2"
47	2	above	Nut, 1/4-20
48	2		Lockwasher, 1/4"
49	2		Screw, 1/4-20 x 5/8"
50	1		Adaptor, 3" dia.
52	3	125-35	Clamp, Gear 3.50" HF-52
53	1	127-44	Hose, Intake 3" dia. x 46"
54	1	601-89	Intake Flange (specify clr)
55	1	126-61	Intake Screen
56	4	112-56	Pan HD Phil T/S #10x3/4 A Zinc
57	1	127-39	Brake Cooling Duct
58	4	108-03	Lockwasher 1/4
59	4	112-19	Screw, IHWH T/C Slot 1/4- 20x1/2
60	1	668-11	Mounting Bracket - Duct
61	1	118-02	Terminal, Male - #76-1251
62	1	118-03	Terminal, Female - #76-1289

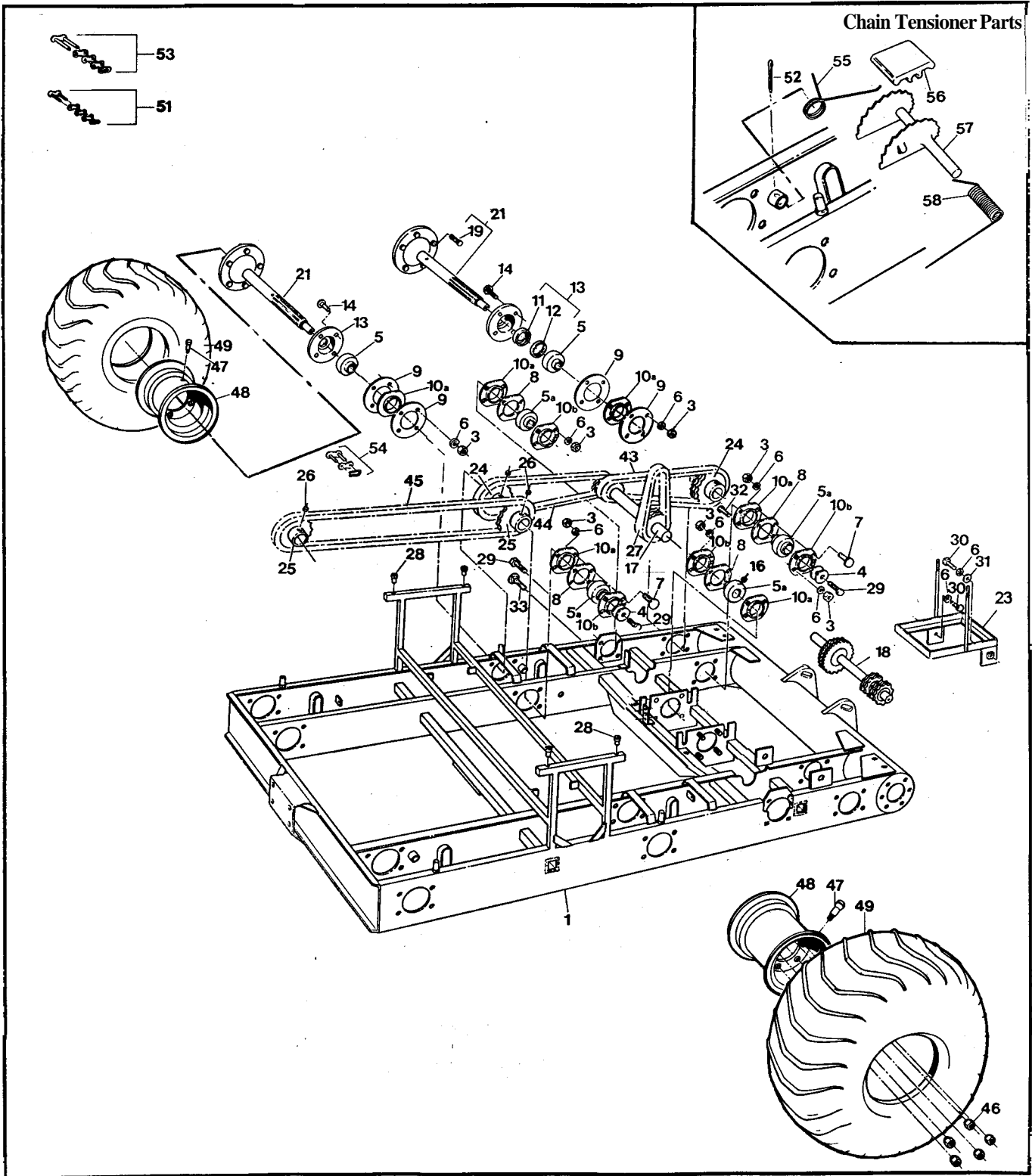
6.0 Vehicle Body & Firewall Vanguard Parts Manual



Vanguard Parts Manual 6.0 Vehicle Body & Firewall

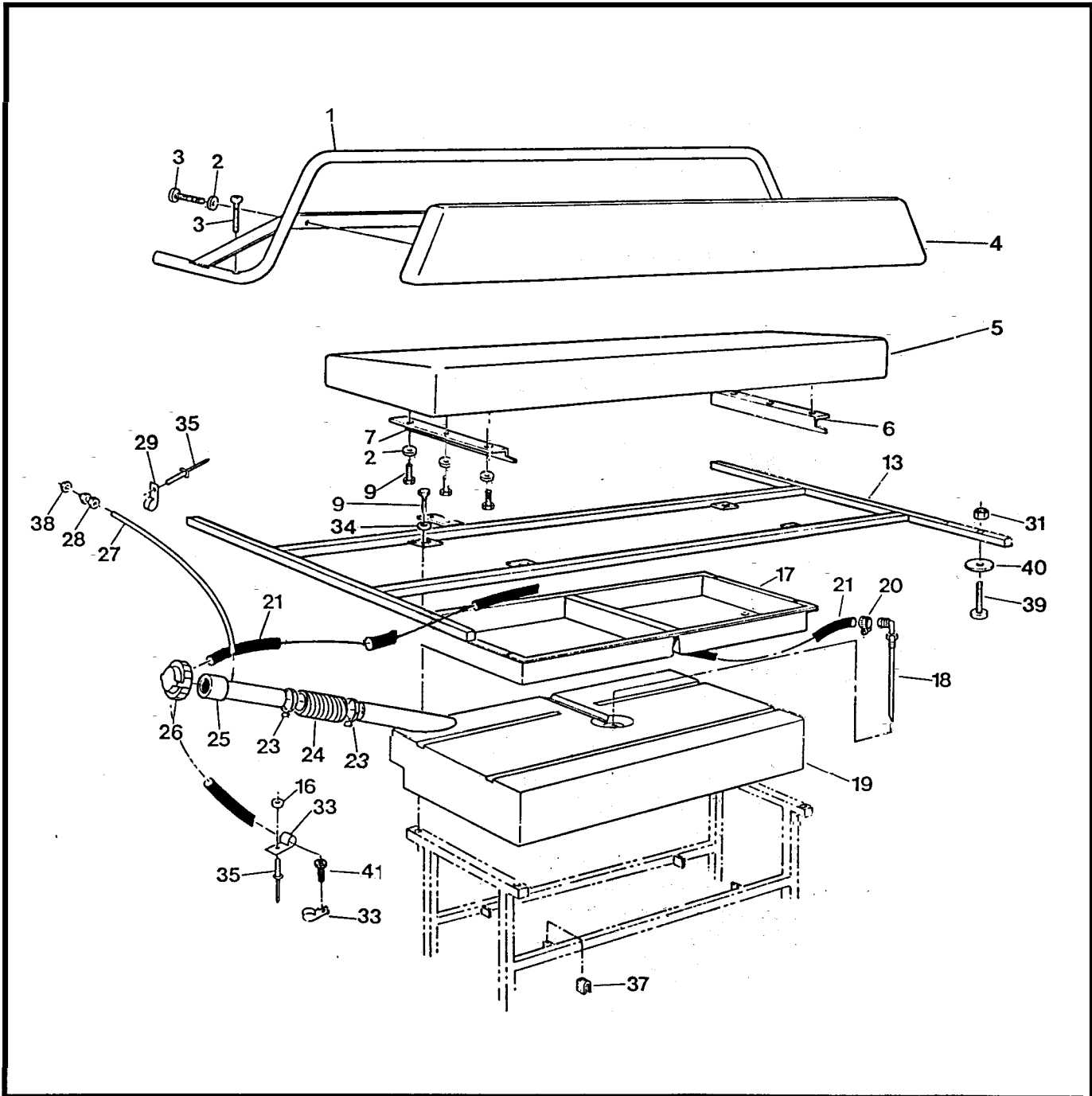
Ref	Qty	Part No.	Description
1	1	601-32	Body + Hood, Upper - Van.Replacement, specify colour (incl. Ref 5,11,12,13,14,15 & 38)
2	1	603-92	Body, Lower - 6x6, specify colour
3	1	127-28	Plug, Nylon - Black
4	1	601-05	Bumper, Vinyl - 6x6
5	1	602-37	Hood Kit, Vanguard specify colour (incl. Ref 6 to 10 & 36c)
6	1	801-47	Duct, Intake Transition, specify colour
7a	2	127-45A	Pin, Hinge
7b	2	127-45B	Knuckle, Hinge
8a	8	103-47	HHCS 10-24 x 1/2
8b	12	120-13	Rivet - 3/16 x 5/8
9	1	126-10	Wing Stud
10	1	126-09	Grommet, Alum, #GH-7
11	1	602-24	Hood Support Assembly
12	2	120-15	Rivet - 1/8 x 7/16
13	1	601-69	Spring Plate
14	1	126-11	Spring
15	2	112-19	Screw, IHWH T/C Slot 1/4-20 x 1/2
16	1	602-29	Brace, Dash
17	1	601-08	Vinyl Trim, 84"
18	2	601-09	Vinyl Trim, 28"
19	1	626-10	Hitch Kit (Opt.)
25	4	117-44	T-Nut 1/4-20
26	42	120-24	Rivet - Alum, 3/32x3/8-all plates
27	76	120-09	Rivet - 3/16 x 1
28	1	601-44	Nameplate, "ARGO"
29	2	127-41	Nameplate, 6x6 Vanguard2
30	1	609-36	Firewall - Vanguard
31	2	103-72	Screw, IHWH T/C Slot 1/4-20x3/4
32	2	108-08	Washer, 1/4 SAE Zinc
34	1	803-02	Floor Pan, Front, specify colour
35	1	603-03	Floor Pan, Rear 6x6, specify colour
36	51	120-04	Washer, .19x.50x.08 Zinc
37	1	126-60	Vinyl Strip 1/2"x1/4"x37.5'
38	4	120-05	Washer, .19x.50x.04 Zinc
39	4	100-16	Clip, Hitch Pin 1.625 Zinc
40	2	100-18	Plug, Drain 5/8" x 13/32"
41	1	601-03	Seat, Rear LH - 6x6
42	1	601-02	Seat, Rear RH - 6x6
43	2	603-15	Washer, Plastic
44	2	108-01	Washer, Fender 1/4 SAE Zinc
45	2	103-08	HHCS 1/4-20 x 1.00 Zinc
50	1	126-72	Plate, Holding Brake
51	1	126-65	Shifting Plate
52	1	127-26	Plate, Steering Lever & Winch
53	1	126-67	Floor Pan Plate
54	1	126-68	Operation Plate
55	1	126-69	Fuel Plate
56	1	127-76	Plate, Capacity - Land/Water
57	1	126-64	Vehicle ID Plate
58	1		U.S. Plate, Non U.S. Argos only
59	1	127-51	Plate, Capacity - 6x6
61	1	125-41	Dash Handle (incl. 62)
62	2		Plug cap (avail. only with 61)
63	3	117-10	Locknut, Nylon #10-24 Zinc
64	1	126-88	Bumper, Rubber
65	3	103-25	PHMS #10-24 x 3/4" Zinc
66	1	602-38	Clip, Hood
57a	2	613-75	Bezel, Headlamp
57b	2	613-76	Bracket, Headlight Backing
68			See Section 9.0 Electrical System
69	8	103-24BL	OHPS T/S #6 x 1.00 Black
73	1	117-15	Nut, Fin. Hex 3/8-16 Zinc
74	1	602-27	Support, Adjustable
75	1	103-89	C/Bolt 3/8-16 x .75 Gr2 Zinc
76	1	108-06	Lockwasher 3/8
80	2	127-01	Reflector, Red
81	4	103-48	T/S Pan HD Phil #10x5/8 A Zinc
83	8	108-59	Lockwasher, #10 Int. tooth ZN

7.0 Frame and Drive System Vanguard Parts Manual



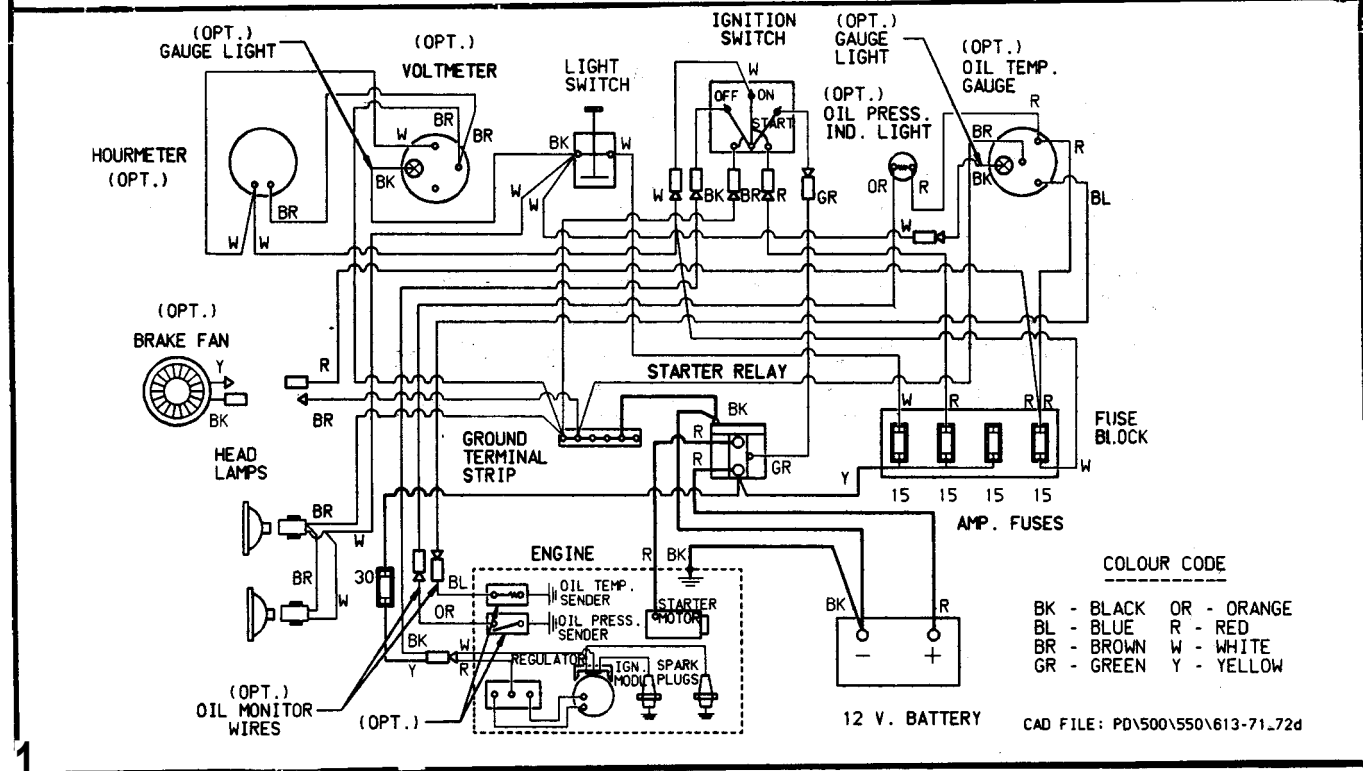
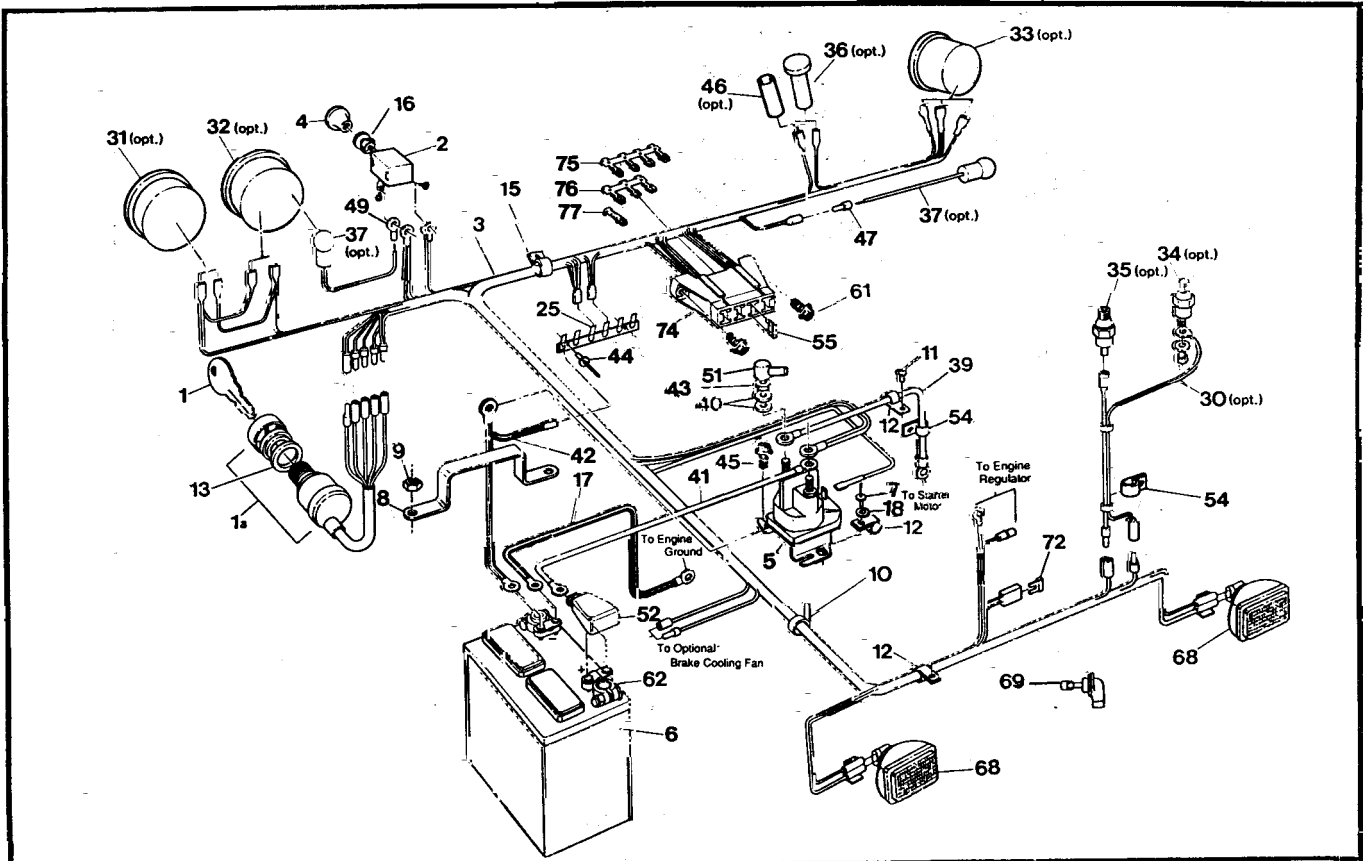
Vanguard Parts Manual 7.0 Frame & Drive System

Ref	Qty	Part No.	Description
1	1	606-60	Frame Asm - 6x6
3	64	117-15	Nut, Fin Hex 3/8-16 Zinc
4	12	108-46	Washer .40x1.37x.12 Hi-Carbon
5	6	101-35	Bearing, Ball - 1.25
5a	10	101-41	Bearing, Ball - 1.0
6	66	108-06	Lockwasher 3/8
7	22	103-88	C/Bolt 3/8-16x1.0 GR5 Zinc
8	10	605-99	Gasket, Flange - Inner
9	12	605-89	Gasket, Outer Bearing Flange
10a	16	605-63	Flange - 4-hole
10b	10	101-20	Flange Greasable - 4 Hole
11	6	102-14	Seal, Oil 1.25x1.75x0.188
12	6	102-15	Seal, Oil 1.25x1.874x0.25
13	6	605-97	Flange Assem, Outer (incl. Refs. 11 & 12)
14	24	112-39	C/Bolt 3/8-16x1.75 GR5 Zinc
16	4	112-60	SHSS 1/4x28x1/2 Cup Pt.
17	1	606-30	Idler Asm. - L4x11T 2x24T
18	1	606-31	Idler Asm. - R4x11T 2x24T
19	5x6	103-80	Stud, Wheel 7/16-20 x 1.125 #B271
21	6	810-75	Axle Assembly (incl. Ref. 19)
23	1	604-84	Frame Assembly, Battery
24	4	810-28	Sprocket, Double - 24T
25	4	606-34	Sprocket - S60x19T
26	6	112-03	SHSS 5/16-18x3/8 1/2 DOG, PL
27	2	603-22	Chain, Idler RC40-2 x 46P (incl. Ref 51)
28	4	117-64	Insert, 1/4-20
29	10	112-31	HHCS 3/8-16 x 1.0 2B GR8 Zinc
30	2	112-14	HHCS 3/8-16x.75 GR5 Zinc
31	1	108-15	Washer 3/8 SAE Zinc
32	2	103-82	HHCS 3/8-16x1.5 GR5 Zinc
33	4	112-61	C/Bolt 3/8-16x1.25 GR5 Zinc
43	2	603-17	Chain RC50 - 2x42P - Front (incl. Ref 53)
44	2	603-26	Chain RC50 - 2x76P - Mid (incl. Ref 53)
45	2	603-83	Chain RC60 - 1x88P - Rear (incl. Ref 53)
46	5x6	117-35	Nut, Wheel 7/16-20 Zinc
47	6	125-26	Valve, Tire
48	6	125-13	Rim - 8x7 - 5 bolt - Charcoal
49	6	126-96	Tire, Goodyear Runamuk 22x10-8
51	1x2	100-97	Con. Link, RC40-2 H.D.
52	4	100-01	Pin, Cotter 1/8 x 1.50 Zinc
53	1x4	100-96	Con. Link, RC50-2 H.D.
54	1x2	603-84	Con. Link, RC60-1 STD.
55	4	127-65	Spring Torsion - 1.16x0.35
56	4	606-39	Slider Block - 1/2" Shaft
57	4	606-35	Tensioner Asm, Chain
58	4	127-64	Spring, Torsion - .76 x 1.9



Vanguard Parts Manual 8.0 Fuel System & Seat Assembly

Ref	Qty	Part No.	Description
1	1	803-50	Handrail Assembly
2	10	108-03	Lockwasher 1/4
3	6	112-41	PHMS, QUADREX 1/4-20x1.25 Zinc
4	1	608-39	Back Pad Assembly
5	1	608-43	Seat, Bench
6	1	608-30	Angle - Left
7	1	608-31	Angle - Right
9	10	112-04	HHCS 1/4-20x3/4 Gr2 Zinc
13	1	804-17	Frame Assembly, Seat
16	3	120-04	Washer, .195x.50x.08 Zinc
17	1	608-32	Tool Box
18	1	608-28	Pickup Assembly, Fuel (see Ref. 19)
19	1	608-24	Tank, Fuel 32 litre (incl. Ref. 18)
20	2	100-70	Clamp, Gear 1/2" HF4
21	1	608-42	Fuel Hose, 110"
23	2	100-12	Clamp, Gear 2.25" HF36
24	1	125-94	Hose, Filler
25	1	126-47	Fuel Neck Assembly
26	1	126-46	Cap, Fuel
27	1	126-77	Hose, Vent 93" 6x6
28	1	126-50	Male Connector, 1/4"
29	4	126-94	Clamp, Nylon Wire, 1/4" ID
31	12	117-10	Locknut, Nylon #10-24 Zinc
33	4	126-93	Clamp, Nylon Wire, 1/2" ID
34	4	108-08	Washer 1/4 SAE Zinc
35	3	120-09	Rivet - 3/16 x 1
36	6	120-13	Rivet - 3/16 x 5/8
37	4	702-06	Foam Cushion
38	1	117-54	Locking PAL Nut, 1/2-20 Zinc
39	12	112-07	RHMS, 10-24 x 1.25 Zinc
40	12	108-42	Washer, .062 x 7/32 x 1.00 Zinc
41	1	103-48	T/S Pan HD Phil #10-5/8 A Zinc



Ref	Qty	Part No.	Description
1	1	100-39A-1	Key
1a	1	126-17	Ignition Switch (incl. Ref 1)
2	1	100-62	Switch, Light
3	1	613-71	Main Wire Harness, (incl. Ref. 74, 76, 77)
4	1	126-76	Knob, Light
5	1	613-68	Starter Relay
6	1	127-54	Battery
7	1	120-09	Rivet - 3/16 x 1
8	1	604-52	Battery Retaining Bracket
9	2	117-21	Locknut, Nylon 5/16-18 Zinc
10	8	100-64	Tie Wrap, 5.5" - Black
11	1	103-48	T/S Pan HD Phil #10x5/8 A Zinc
12	12	126-93	Clamp, Nylon Wire - 1/2" ID
13	1	108-57	Washer, 3/4" ID, Tooth Lock
15	1	127-24	Clamp, Nylon - 1" ID
16	1	108-55	Lockwasher, Ext. Tooth 7/16"
17	1	613-18	Ground Wire
18	1	120-04	Washer
25	1	613-37	Ground Terminal Strip
30	1	613-38	Oil Monitor Wires (opt.)
31	1	632-15	Hourmeter, #56458-10 (#876EM) (opt.)
32	1	633-10	Voltmeter, #07583-15 (#830EM)
33	1	634-11	Oil Temp. Gauge #07556-88 (#828EM) (opt.)
34	1	634-12	Oil Temp. Sender #02024-00 (opt.)
35	1	25.099.24	Oil Pressure Switch, 6 psi (opt.) (Kohler #)
36	1	634-08	Light, Indicator (opt.)
37	2	634-10	Light Kit, #06215-00 5/8" dia, see Ref. 32 & 33 (opt.)
39	1	613-49	Cable, Starter
40	5	108-03	Lockwasher 1/4
41	1	613-26	Power Cable
42	1	613-58	Ground Wire
43	2	117-20	Nut, Fin. Hex, 1/4-20 Zinc
44	2	120-15	Rivet - 1/8 x 7/16
45	2	112-19	Screw, IHWH T/C 1/4- 20 x 1/2
46	1	118-48	Heat Shrink, 2 x 1/2 (opt.)
47	1	118-02	Terminal, Male-#76-1251- 88
49	1	118-30	Terminal, Eye - #10
51	1	613-45	Terminal Insulator (6 ga.)
52	1	127-55	Cap, Battery Terminal - Red
54	2	126-83	Clip, Hose 5/16 ID #C- 950PC
55	4	118-49	Fuse, 15 Amp, 2-prong (AT015)
61	2	112-51	Screw, IHWH T/C #10- 24x5/8
62	2	127-56	Terminal Bat. Post
68	2	613-69	Headlamp, Halogen (incl. Ref. 69)
69	2	127-46	Bulb, Headlight - Halogen
72	1	118-51	Fuse, 30A 2-prong (AT030)
74	1	118-60	Block - Fuse, 8 position (incl. with Ref. 3)
75	(opt.)	118-61	Terminal - Fuse, quad
76	1	118-63	Terminal - Fuse, triple
77	5	118-62	Terminal - Fuse, single

Argo Products Manufactured by:

Ontario Drive & Gear Limited

P.O. Box 280,220 Bergey Court

New Hamburg, Ontario

CANADA NOB 2G0

Phone: (519) 662-2840

Fax: (519) 662-2421

ODG Dedicated to quality and performance.

Argo 6x6
VANGUARD



ARGO

VANGUARD

PARTS MANUAL

Model No. V699-51
From Serial #S11163

Foreword

ODG has prepared this manual for the **VANGUARD** model to assist both qualified mechanics and vehicle owners in ordering correct, quality replacement **ARGO** parts.

Proper and regular service, and replacing old, worn or broken parts with the correct **ARGO** replacement parts, are both essential to prolonging the life of the **ARGO**. Please refer to this parts manual before ordering any replacement part.

All information contained in this **VANGUARD** Parts Manual is based on the latest product specification available at time of printing. If your **VANGUARD** differs from the specifications contained in this manual, **contact Ontario Drive & Gear Limited for information.**

ODG reserves the right to alter specifications on the **VANGUARD** model at any time, without obligation or prior notification.

Reproduction of the **VANGUARD** Parts Manual No. 699-51-1, in whole or in part, is prohibited without prior written permission from **Ontario Drive & Gear Limited.**

Model Identification

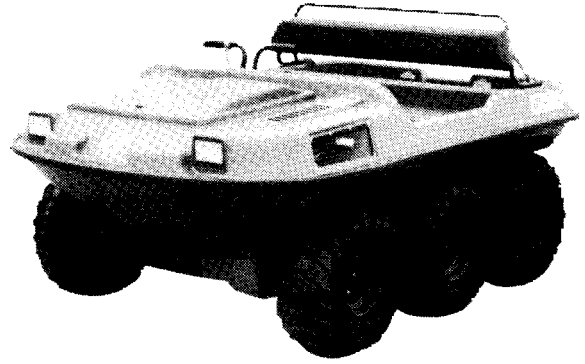
VANGUARD - Model No. V699-51

Explanation of Parts Manual Format

- Reference number between Assembly Diagram and Component Parts List
- Part No. - Argo replacement part number for identification and re-ordering
- Description - Part description for identification and re-ordering
- indicates the quantity of a part used in an Assembly

ARGO 6x6

VANGUARD

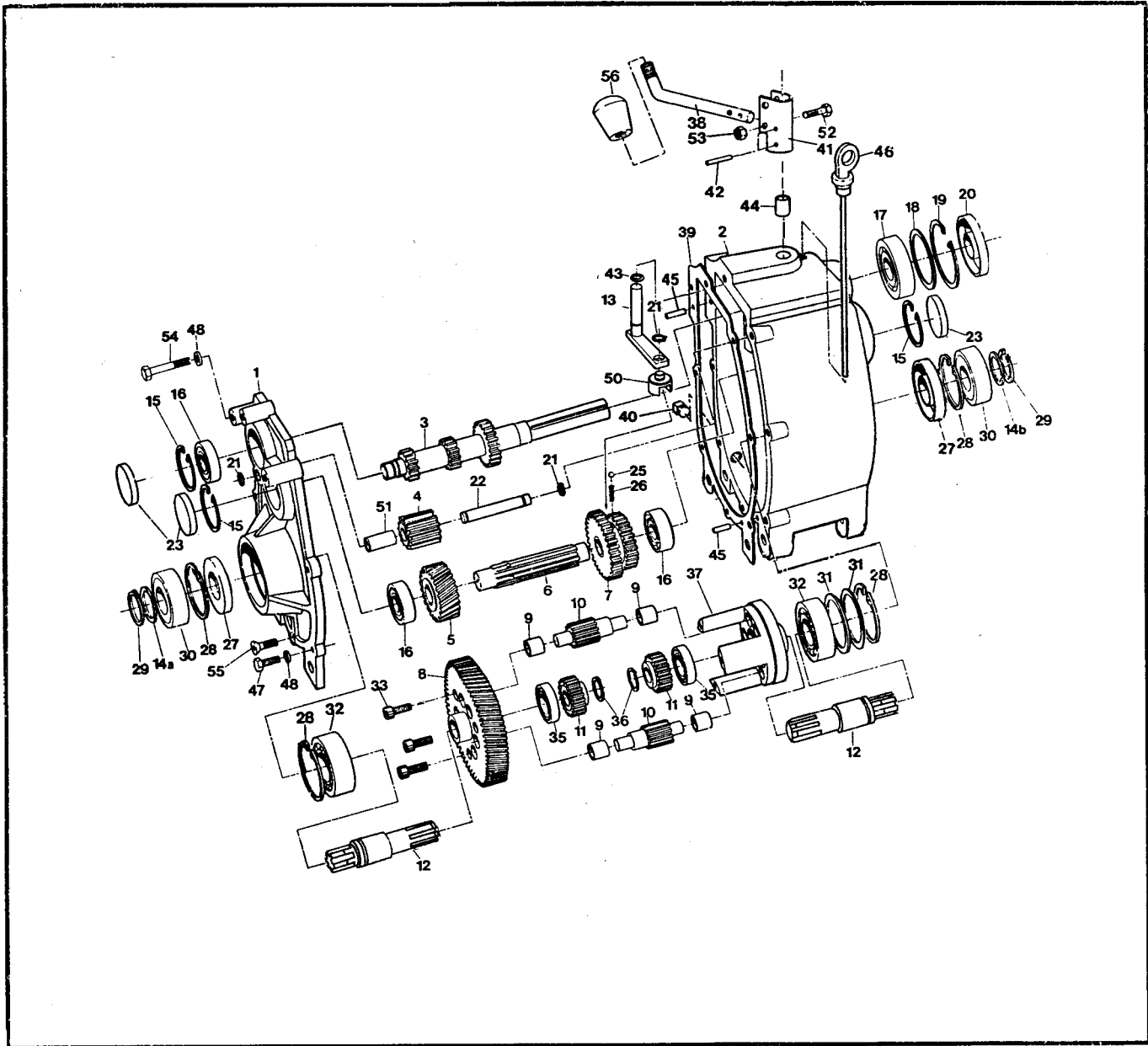


Using the Parts Manual

1. Find the major vehicle assembly in the Table of Contents on this page, and turn to that section.
2. Locate the part in the illustration that you wish to order.
3. Refer to the part list in that section
4. Find the correct part number (Part No.), part description (Description) and correct quantity (Qty).
5. Use *only* this information to order **ARGO** replacement parts. **DO NOT** attempt to order a replacement part by Ref number or page number.

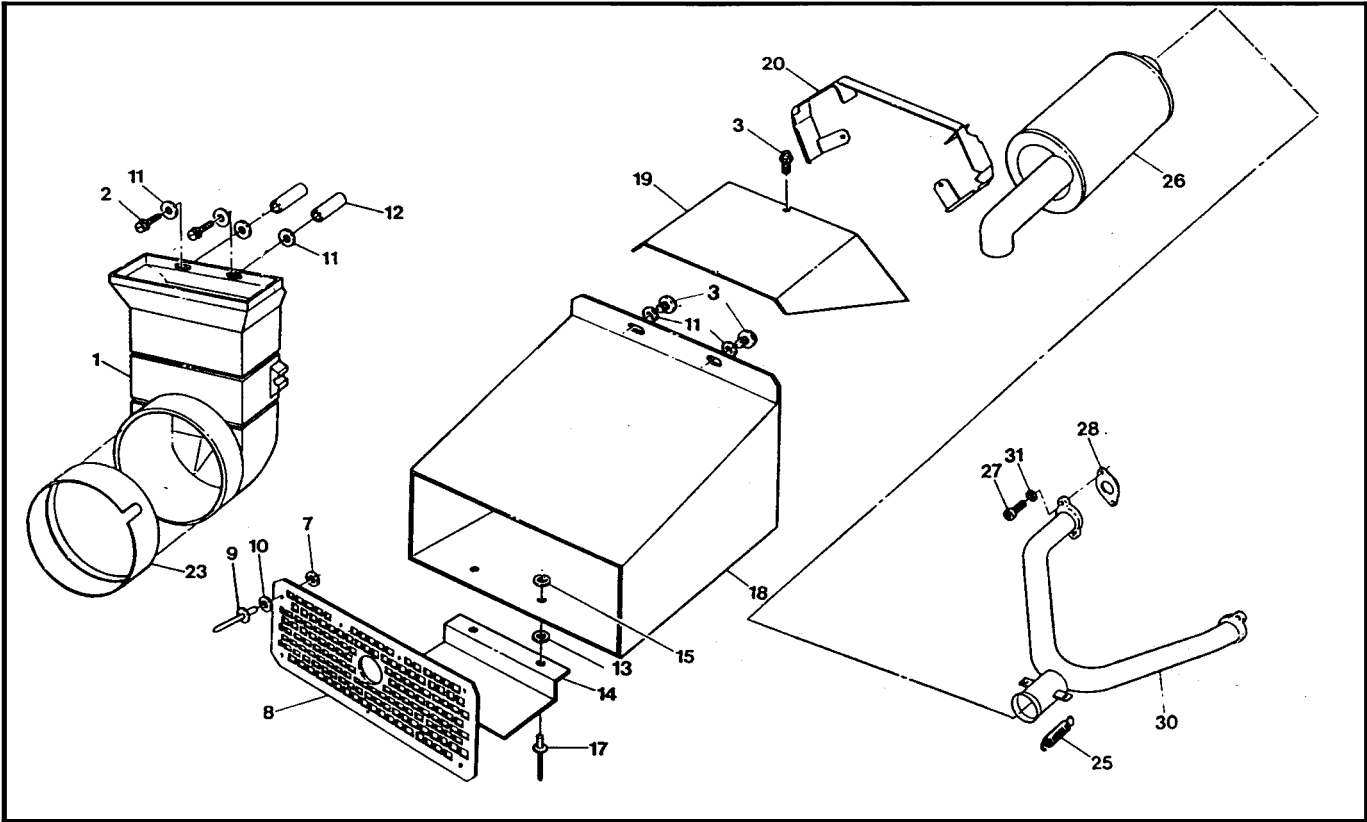
Table of Contents

Foreword	i
Model Identification	i
Using the Parts Manual	ii
1.0 Transmission	1
2.0 Intake and Exhaust System	3
3.0 Clutch System	3
4.0 Power Pack System	5
5.0 Brake System	7
6.0 Vehicle Body & Firewall	9
7.0 Frame & Drive System	11
8.0 Fuel System & Seat Assembly	13
9.0 Electrical System	15

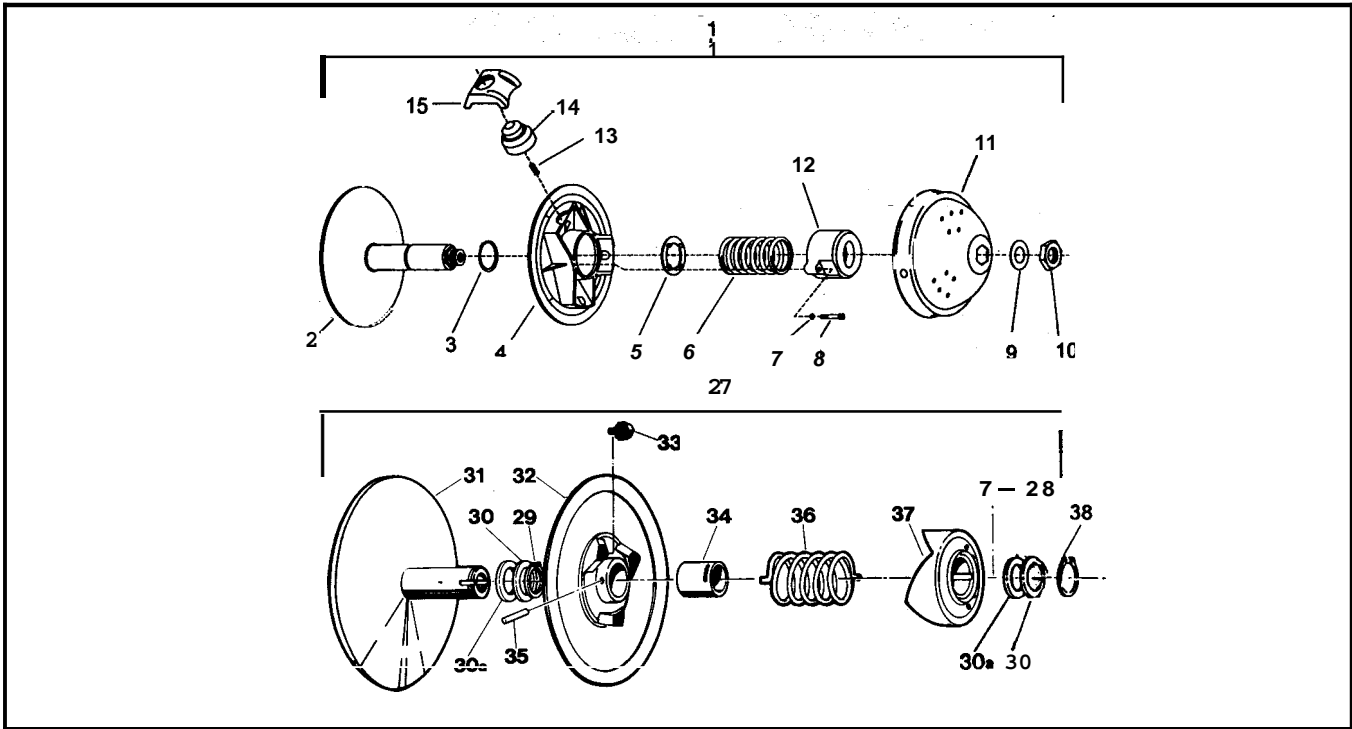


Ref	Qty	Part No.	Description
		610-18H	Transmission Asm - H, (does not include Refs 38, 52, 53 & 56)
1	1	134-68	Cover, Transmission
2	1	34-99	Housing, Transmission
3	1	34-21	Shaft, Input - 13/21T
4	1	34-16A	Gear, Idler 13T (incl. Ref. 51)
5	1	34-96	Gear, Helical - 26T-H
6	1	34-94	Shaft, Spline
7	1	34-91	Gear, Double - 26/33T
8	1	34-43	Gear Plate - 71T-H
9	12	105-03	Bushing, Oilite ½ x ¾
10	6	34-13	Gear, Planet - 12T
11	2	34-14	Gear, Sun - 21T
12	2	34-98	Shaft, Output
13	1	34-65	Shifter Asm
14a	1	114-04	Washer, Shim .040 Thk
14b	1	114-05	Washer, Shim .020 Thk
15	3	106-01	Retaining Ring
16	3	101-01	Bearing, Ball 6204Z-C3
17	1	101-16	Bearing, Ball 6206-C3
18	as req.	114-02	Washer, Shim
19	1	106-05	Retaining Ring
20	1	102-05	Seal, Oil WBS 30x62x10
21	3	107-05	Retaining Ring
22	1	34-11	Pin, Dowel ½ x 3.50
23	3	31-07	Plug plate
25	1	109-05	Ball, Steel 6mm 62-67 Rc
26	1	34-32	Spring, Compression - 7/32 x 0.50
27	2	102-03	Seal, Oil WBS 30x72x10
28	4	106-03	Retaining Ring
29	2	107-02	Retaining Ring
30	2	101-05	Bearing, Ball 6306-2NSE C3
31	2	114-01	Washer, Shim .020x2.25x2.81
32	2	101-03	Bearing, Ball 6207-C3
33	3	103-04	SHCS 5/16-18 x 1.00 Bare
35	2	101-15	Bearing, Ball 6005-C3
36	2	107-04	Retaining Ring
37	1	34-08	Cage
38	1	610-77	Lever, Shift
39	1	34-47	Gasket, Cover - 1/64"Thk
40	1	103-02	Plug, Magnetic 3/8 - 18 NPT Sq Hd.
41	1	34-86	Holder, Shift Lever
42	2	111-01	Pin, Slotted Spring 5/32 x 1.00
43	1	113-01	O-Ring 012-7147
44	1	105-02	Bushing, Oilite 1/2x 1.0
45	2	104-03	Pin, Dowel 1/4 x 7/8
46	1	34-77	Dipstick - with Breather
47	4	103-06	HHCS 5/16-18x1.00 GR5 Zinc
48	7	108-05	Lockwasher 5/16
50	1	34-63	Shift Yoke
51	1	105-05	Bushing, Oilite ½ x 1.5 (in Ref 4)
52	1	103-97	HHCS 1/4-20x1.25 GR5 Zinc
53	1	117-27	Locknut, Nylon 1/4-20 Zinc
54	3	103-84	HHCS 5/16-18x2.25 GR5 Zinc
55	1	103-95	FHSC 5/16-18x1.0 GR8 Zinc
56	1	126-38	Knob, Shift

2.0 Intake and Exhaust System Vanguard Parts Manual



3.0 Clutch System

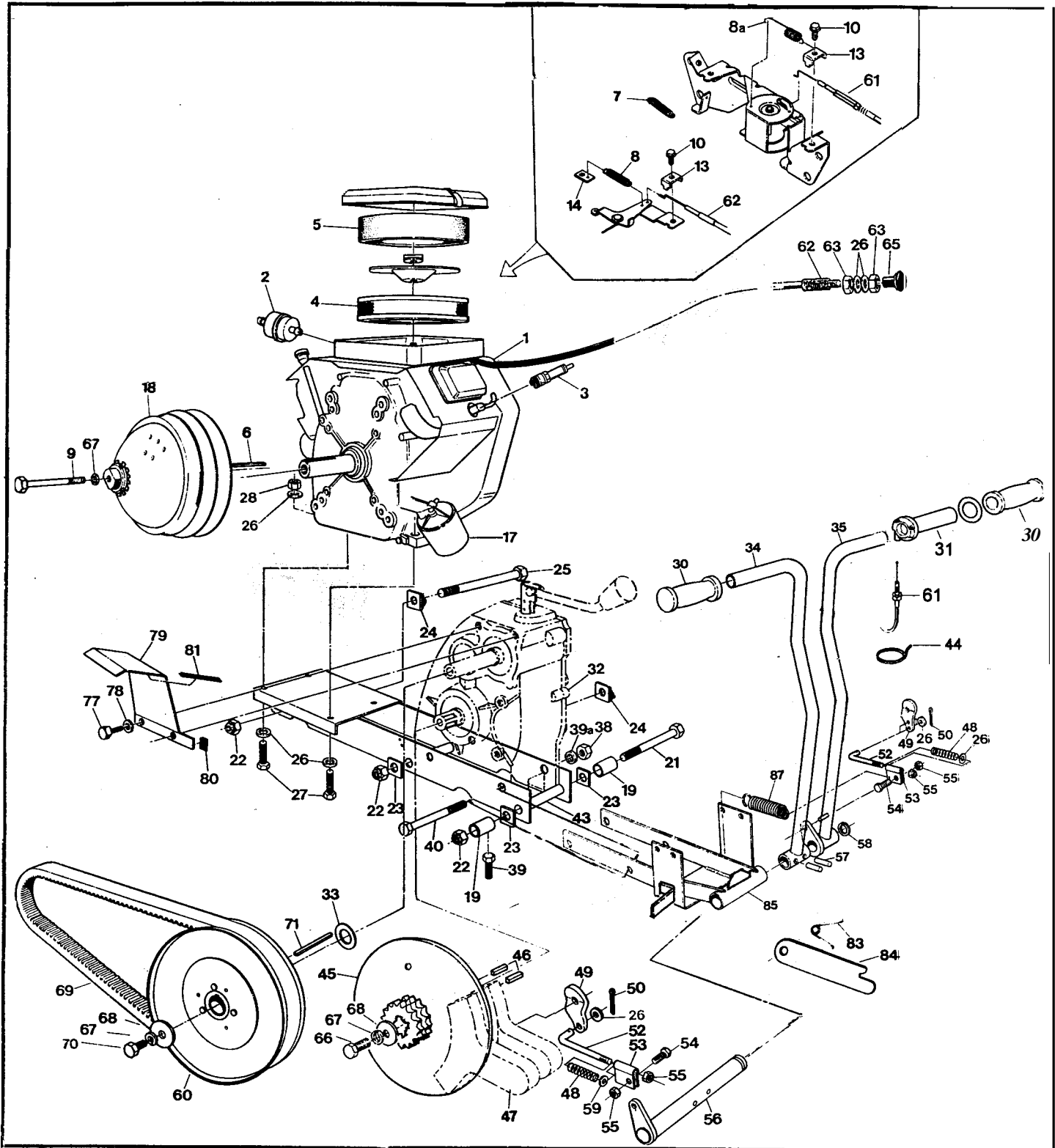


Ref	Qty	Part No.	Description
1	1	603-81	Duct, Intake
2	2	112-48	Screw, T/S HH#14x2.25 Zinc
3	5	112-19	Screw, IHWH T/C Slot 1/4- 20x1/2
7	7	120-05	Washer, .19x.50x.04 Zinc
8	1	707-31	Screen, Exhaust
9	7	120-09	Rivet 3/16 x 1
10	7	125-59	Washer, Fibre-.062x.25x.50
11	6	108-08	Washer, 1/4 SAE Zinc
12	2	120-29	Spacer,.26IDx1.12LG
13	2	125-58	Washer, Fibre - W-77F
14	1	707-28	Support, Exhaust Duct
15	2	120-04	Washer, .19x.50x.08 Zinc
17	2	120-13	Rivet - 3/16x5/8
18	1	707-32	Duct, Exhaust
19	1	707-26	Cover, Engine Duct
20	1	707-25	Duct, Engine
23	1	603-82	Seal
25	2	126-57	Spring, Extension
26	1	707-15	Muffler
27	4	112-30	SHCS, M8x1.25x20.0 Zinc
28	2	805024	Gasket
30	1	707-05	Manifold, Exhaust
31	4	108-02	Lockwasher,Hi-Collar 5/16, Bare

3.0 Clutch System

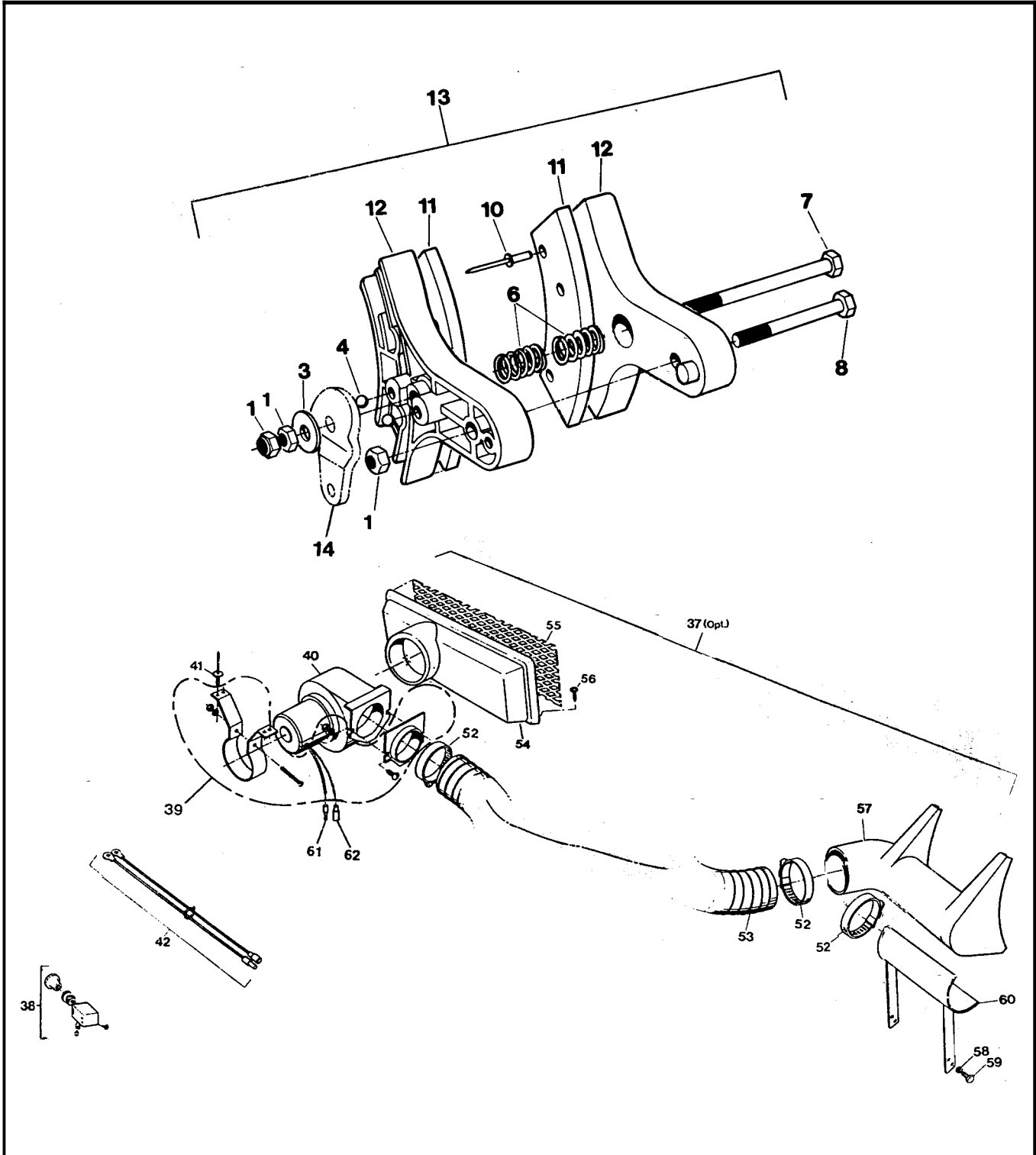
Ref	Qty	Part No.	Description
1	1	127-72	Clutch, Driver, keyed (incl. Refs. 2 to 15) IBC #0400-0028
2	1	0405-0021	Pulley, Half - Fixed
3	1	V08	Ring, Retaining
4	1	0410-0007	Pulley, Half - Sliding
5	1	V09	Plate, Spring Guide
6	1	V10-48-108-18	Spring
7	3	420-2453-700	Lockwasher
8	3	222-9640-66	SHCS
9	1	0080-0153	Washer
10	1	0080-0100	Nut
11	1	0115- 0015(B)	Cap
12	1	0440-0001	Cover, Spring
13	3	C24-L1	Spring, Anti-Noise
14	3	C13-200	Weight - 2009
15	3	0130-3002	Block, Red
27	1	126-24	Clutch, Driven-Model "B" SODB0001 (incl. Refs. 28 to 37)
28	1	ASK-5	Key 1/4 x 1/4 x 5/8
29	1	ASR-6	Retaining Ring
30	as req	ASA-1	Spacer .050" Thick
30a	as req	ASA-1-S	Spacer .025" Thick
31	1	AFK25.4-250OD01	Pulley, Half - Fixed
32	1	AMC-2-250OD01	Pulley, Half - Sliding incl. Refs. 33, 34 and 35
33	3	ANS-2-T	Shoe, Cam
34	1	AMB-2	Bushing, Bronze
35	1	111-01	Pin, Spring 5/32 x 1.00 Slotted
36	1	ACS-3-188	Spring, Blue
37	1	AFC-4-C3D4	Cam
38	1	371-9031-000	Retaining Ring

4.0 Power Pack Assembly Vanguard Parts Manual



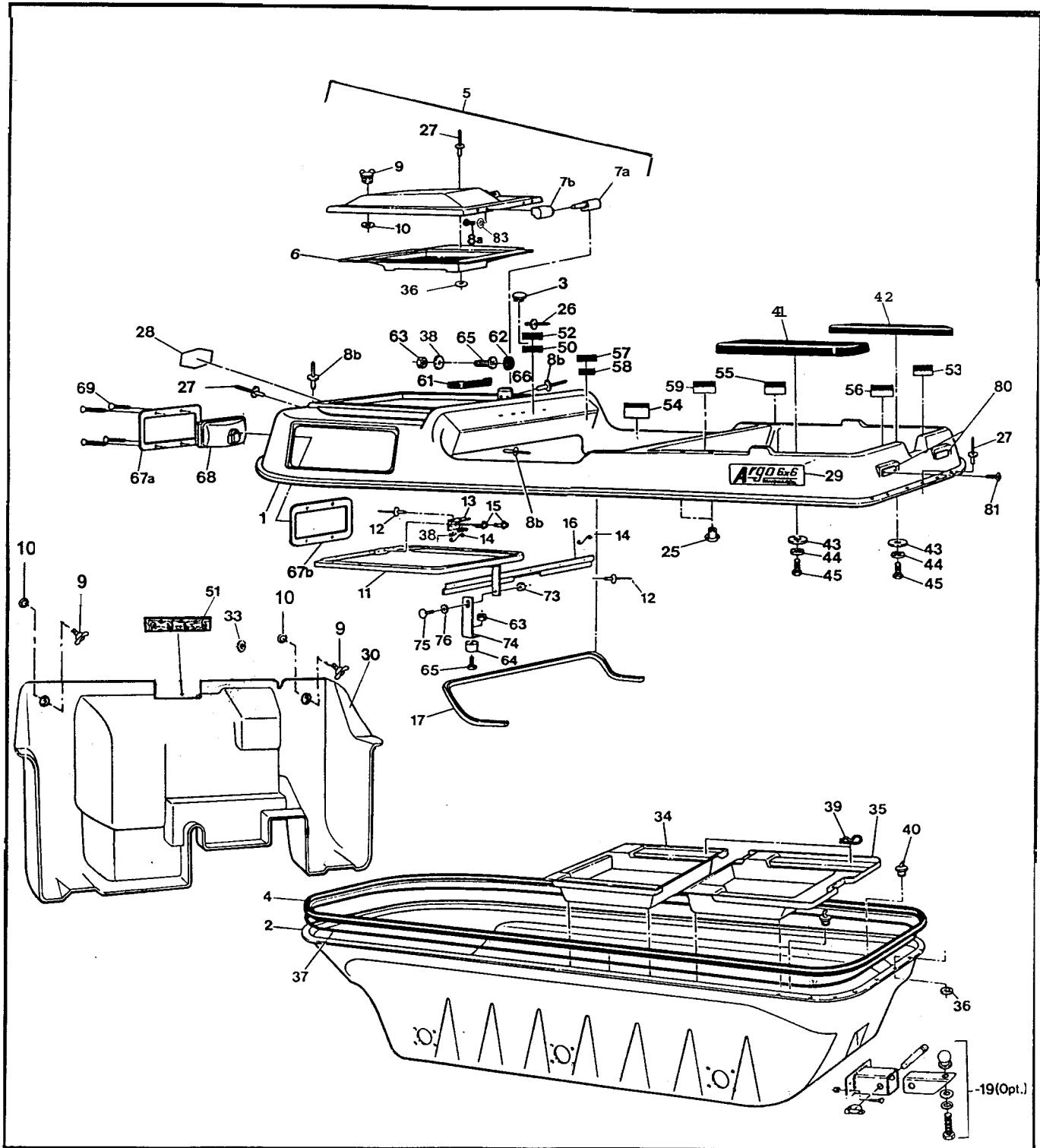
Vanguard Parts Manual 4.0 Power Pack Assembly

Ref	Qty	Part No.	Description
1	1	126-52	Engine - Vanguard V-Twin 16 HP (incl. refs. 2-14, 17) B&S#3034471026E1
2	1	125-64	Fuel filter, G81-4
3	2	126-74	Spark Plug #3926
4	1	394018	Filter - Air (B&S#)
5	1	272490	Element, - Foam (B&S#)
6	1	110-03	Key 1/4x3/16x2.375 RC46
7	1	805523	Spring, Governor - Green
8	1	125-88	Spring, Extension
8a	1	127-49	Spring, Return
9	1	112-28	HHCS 3/8-24x4.5 GR5 Zinc
10	2	805169	Screw-Hex Head (BS #)
13	2	805170	Clamp - Casing (BS #)
14	1	601-86	Clip, Retainer
17	1	126-95	Filter, Oil
18			See Section 3.0 Clutch
19	2	811-14	Spacer
21	1	112-57	HHCS 5/8-11x10.00 Gr5 Zinc
22	3	117-09	Locknut, Nylon 5/8-11 Zinc
23	3	811-09	Washer, Square .64ID
24	2	811-15	Washer, Square lock .64ID
25	2	112-58	HHCS 5/8-11x7.50 Gr5 Zinc
26	14	108-24	Washer 5/16 SAE Zinc
27	4	112-27	HHCS 5/16-18x1.75 Gr5 Zinc
28	4	117-21	Locknut, Nylon5/16-18Zinc
30	2	127-35	Grip, Molded Rubber
31	1	127-81	Throttle Twist Grip
32			See Section 1.0 Transmission
33	as req	108-36	Washer .06x1.00x1.375 Zinc
34	1	612-98	Lever, Steering - LH
35	1	612-99	Lever, Steering - RH
38	2	117-06	Nut, Fin Hex 1/2-13 Zinc
39	2	103-53	HHCS 3/8-16x3.0 Full Thread
39a	2	108-07	Lockwasher 1/2
40	2	112-52	HHCS 1/2-13x7.0 Gr5 Zinc
43	1	611-71	Frame-Power Pack
44	1	100-64	Tie-Wrap - 5.5" - Black
45	2	610-76	Brake Disc-#40-2x15T
46	4	110-14	Key 1/4x1/4x1.25
47			See Section 5.0 Brake System
48	2	127-48	Spring, Comp. .54x1.90
49	2	612-41	Brake Cam
50	2	100-03	Pin, Cotter 3/32x.750 Zinc
52	2	612-21	Brake Adjusting Rod
53	2	612-20	Steering Rod Clamp
54	2	103-46	HHCS 5/16-24x1.0 Gr5 Zinc
55	4	117-04	Locknut, Nylon 5/16-24 Zinc
56	1	612-81	Steering Shaft Asm.
57	2	111-04	Pin, Spirol 5/16x1.50
58	1	107-01	Retaining Ring
60			See Section 3.0 Clutch System
61	1	612-101	Cable Asm, Throttle
62	1	612-92	Cable Asm, Choke (incl. 63)
63	2		Jam Nut, 5/16-24 (Part of 62)
65	1	126-75	Knob, Choke - Black
66	2	103-18	HHCS 3/8-24x1.25 Gr5 Zinc
67	4	108-06	Lockwasher 3/8
68	3	108-18	Washer 13/32x1.375 x 11GA
69	1	125-56	Drive Belt
70	1	103-34	HHCS 3/8-16x1.25 Gr5 Zinc
71	1	110-09	Key 1/4 x 1/4 x 3.0
77	2	103-17	HHCS 3/8-16x1.0 Gr5 Zinc
78	2	108-26	Washer 3/8 Zinc
79	1	603-29	Guard, Belt Protect
80	1	601-92	Vinyl Trim - 1.5"
81	1	601-93	Vinyl Trim - 4.25"
83	1	126-87	Spring, Parking Brake
84	1	612-80	Holding Brake Lever
85	1	612-100	Bracket Asm., Mech. Brake
87	2	127-33	Spring, Extension - Strg Lever



Ref	Qty	Part No.	Description	
1	3x2	117-46	Locknut, 2-way 5/16-24 Zn	
3	1x2	108-12	Washer, .34x1.00x.06 Zinc	
4	2x2	109-02	Ball, Steel 1/4 Chromesteel	
6	2x2	100-10	Spring, Compression	
7	1x2	103-16	HHCS 5/16-24x3.75 Gr8Zn	
8	1x2	103-29	HHCS 5/16-24x2.75 Gr8Zn	
10	8x2	120-11	Rivet - 5/32x9/16	
11	1x2	100-56	Brake Pad, Set of 2	
12	2x2	100-54A	Caliper, Brake	
13	1x2	100-72A	Brake Assembly (incl. Refs. 1 to to 12)	
14			See Section 4.0 Power Pack Assembly	
37	1	668-03	Brake Cooling Kit-Van2 (incl. Refs. 38 to 62)	
38	1	100-62	Switch, Light	
39		125-92	Adpt. & Mounting Kit (incl. Refs. 43 to 50)	
40	1	125-91	Blower Fan	
41	4	120-13	Rivet - 3/16x5/8	
42	1	613-05	Wire Harness	
43	1	See 125-92 above	Mounting Bracket	
44	1		Nut, #10-32	
45	1		Lockwasher, 3/16"	
46	1		Screw, #10-32 x 2"	
47	2		Nut, 1/4-20	
48	2		Lockwasher, 1/4"	
49	2		Screw, 1/4-20 x 5/8"	
50	1		Adaptor, 3" dia.	
52	3		125-35	Clamp, Gear 3.50" HF-52
53	1		127-44	Hose, Intake 3" dia. x 46"
54	1	601-89	Intake Flange (specify clr)	
55	1	126-61	Intake Screen	
56	4	112-56	Pan HD Phil T/S #10x3/4 A Zinc	
57	1	127-39	Brake Cooling Duct	
58	4	108-03	Lockwasher 1/4	
59	4	112-19	Screw, IHWH T/C Slot 1/4- 20x1/2	
60	1	668-11	Mounting Bracket - Duct	
61	1	118-02	Terminal, Male - #76-1251	
62	1	118-03	Terminal, Female - #76-1289	

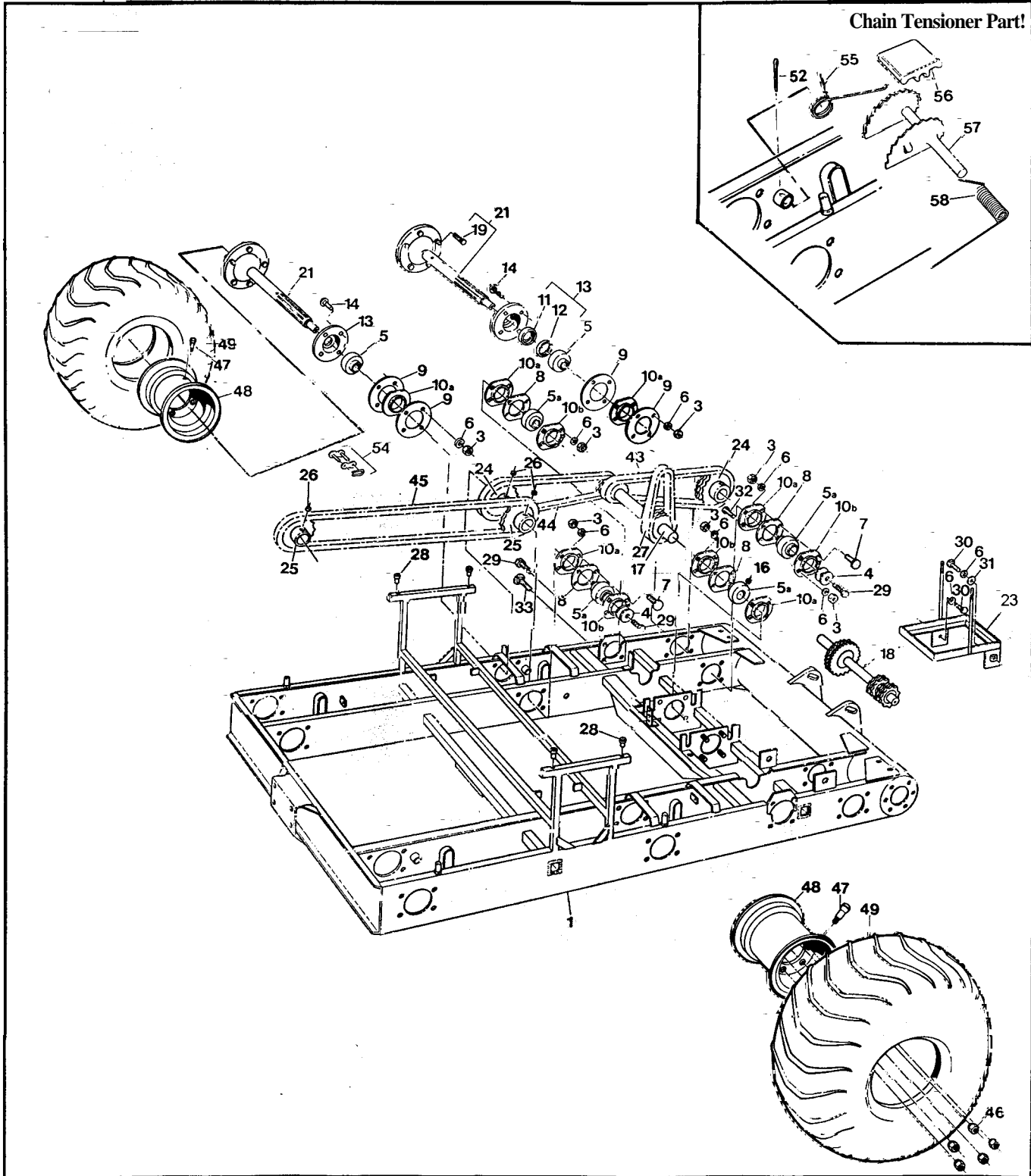
6.0 Vehicle Body & Firewall Vanguard Parts Manual



Vanguard Parts Manual 6.0 Vehicle Body & Firewall

Ref	Qty	Part No.	Description
1	1	601-32	Body + Hood, Upper - Van.Replacement, specify colour (incl. Ref 5,11,12,13,14,15 & 38)
2	1	603-92BL	Body, Lower - 6x6, Black
3	1	127-28	Plug, Nylon - Black
4	1	601-05	Bumper, Vinyl - 6x6
5	1	602-37	Hood Kit, Vanguard specify colour (incl. Ref 6 to 10 & 36c)
6	1	801-47	Duct, Intake Transition, specify colour
7a	2	127-45A	Pin, Hinge
7b	2	127-45B	Knuckle, Hinge
8a	8	103-47	HHCS 10-24 x 1/2
8b	12	120-13	Rivet - 3/16 x 5/8
9	3	126-10	Wing Stud
10	3	126-09	Grommet, Alum, #GH-7
11	1	602-24	Hood Support Assembly
12	6	120-15	Rivet - 1/8 x 7/16
13	1	601-69	Spring Plate
14	3	126-11	Spring
15	2	112-19	Screw, IHWH T/C Slot 1/4-20 x 1/2
16		602-29	Brace, Dash
17	1	601-08	Vinyl Trim, 84"
19	1	626-10	Hitch Kit (Opt.)
25	4	117-44	T-Nut 1/4-20
26	42	120-24	Rivet - Alum,3/32x3/8-all plates
27	76	120-09	Rivet - 3/16 x 1
28	1	601-44	Nameplate, "ARGO"
29	2	127-41	Nameplate, 6x6 Vanguard2
30	1	609-37	Firewall - Vanguard
34	1	603-02	Floor Pan, Front, specify colour
35	1	603-03	Floor Pan, Rear 6x6, specify colour
36	51	120-04	Washer, .19x.50x.08 Zinc
37	1	126-60	Vinyl Strip 1/2"x1/4"x37.5'
38	4	120-05	Washer,.19x.50x.04 Zinc
39	4	100-16	Clip, Hitch Pin 1.625 Zinc
40	2	100-18	Plug, Drain 5/8" x 13/32"
41	1	601-03	Seat, Rear LH - 6x6
42	1	601-02	Seat, Rear RH - 6x6
43	2	603-15	Washer, Plastic
44	2	108-01	Washer, Fender 1/4 SAE Zinc
45	2	103-08	HHCS 1/4-20 x 1.00 Zinc
50	1	126-72	Plate, Holding Brake
51	1	126-65	Shifting Plate
52	1	127-26	Plate, Steering Lever & Winch
53	1	126-67	Floor Pan Plate
54	1	126-68	Operation Plate
55	1	126-69	Fuel Plate
56	1	127-76	Plate,Capacity - Land/Water
57	1	126-64	Vehicle ID Plate
58	1		U.S. Plate, Non U.S. Argos only
59	1	127-51	Plate, Capacity - 6x6
61	1	125-41	Dash Handle (incl. 62)
62	2		Plug cap (avail. only with 61)
63	3	117-10	Locknut, Nylon #10-24 Zinc
64	1	126-88	Bumper, Rubber
65	3	103-25	PHMS #10-24 x 3/4" Zinc
66	1	602-38	Clip, Hood
67a	2	613-75	Bezel, Headlamp
67b	2	613-76	Bracket, Headlight Backing
68			See Section 9.0 Electrical System
69	8	103-24BL	OHPS T/S #6 x 1.00 Black
73	1	117-15	Nut, Fin. Hex 3/8-16 Zinc
74	1	602-27	Support, Adjustable
75		103-89	C/Bolt 3/8-16 x .75 Gr2 Zinc
76		108-06	Lockwasher 3/8
80	2	127-01	Reflector, Red
81	4	103-48	T/S Pan HD Phil #10x5/8 A Zinc
83	8	108-59	Lockwasher, #10 Int. tooth ZN

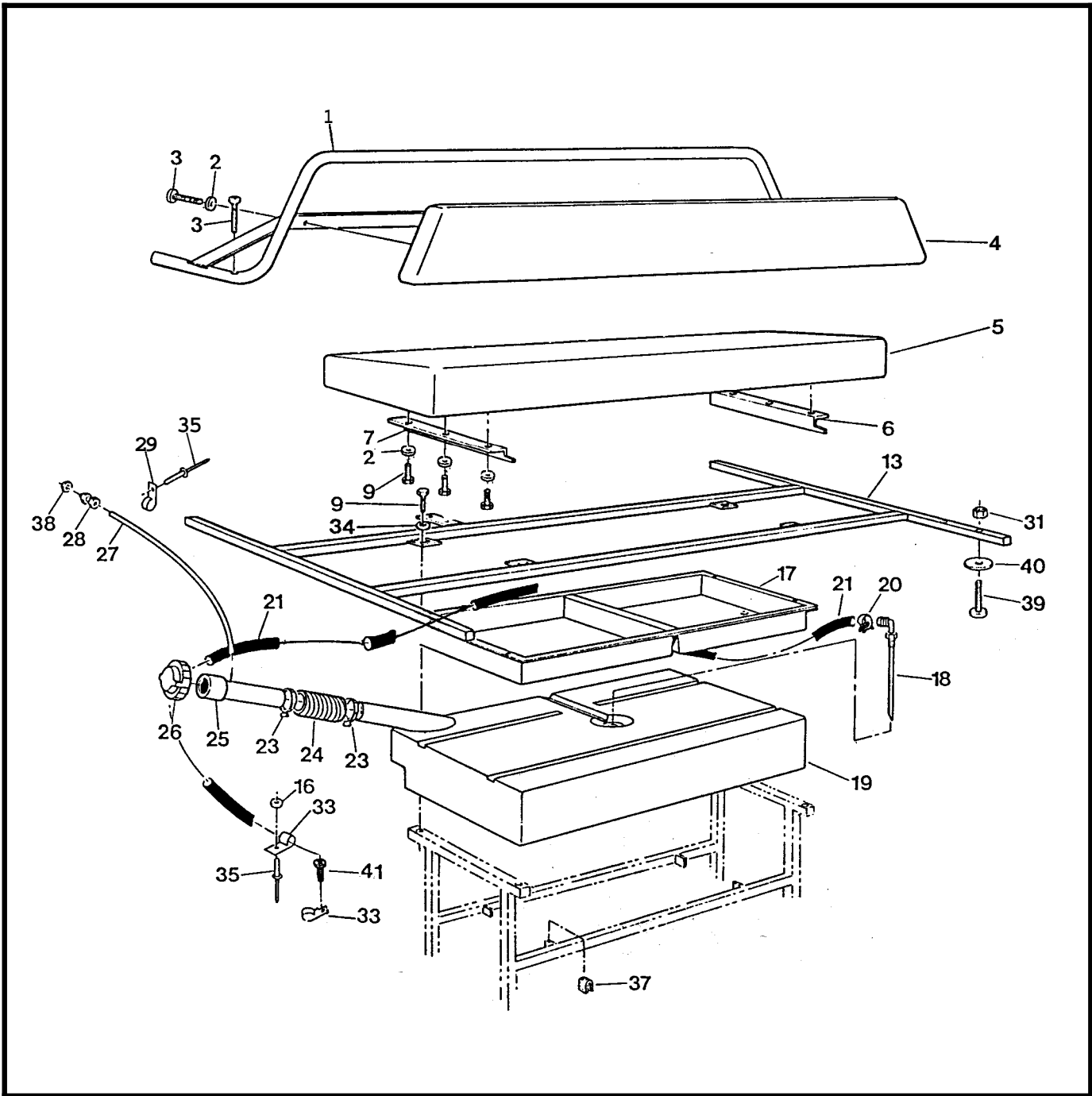
7.0 Frame and Drive System Vanguard Parts Manual



Vanguard Parts Manual 7.0 Frame & Drive System

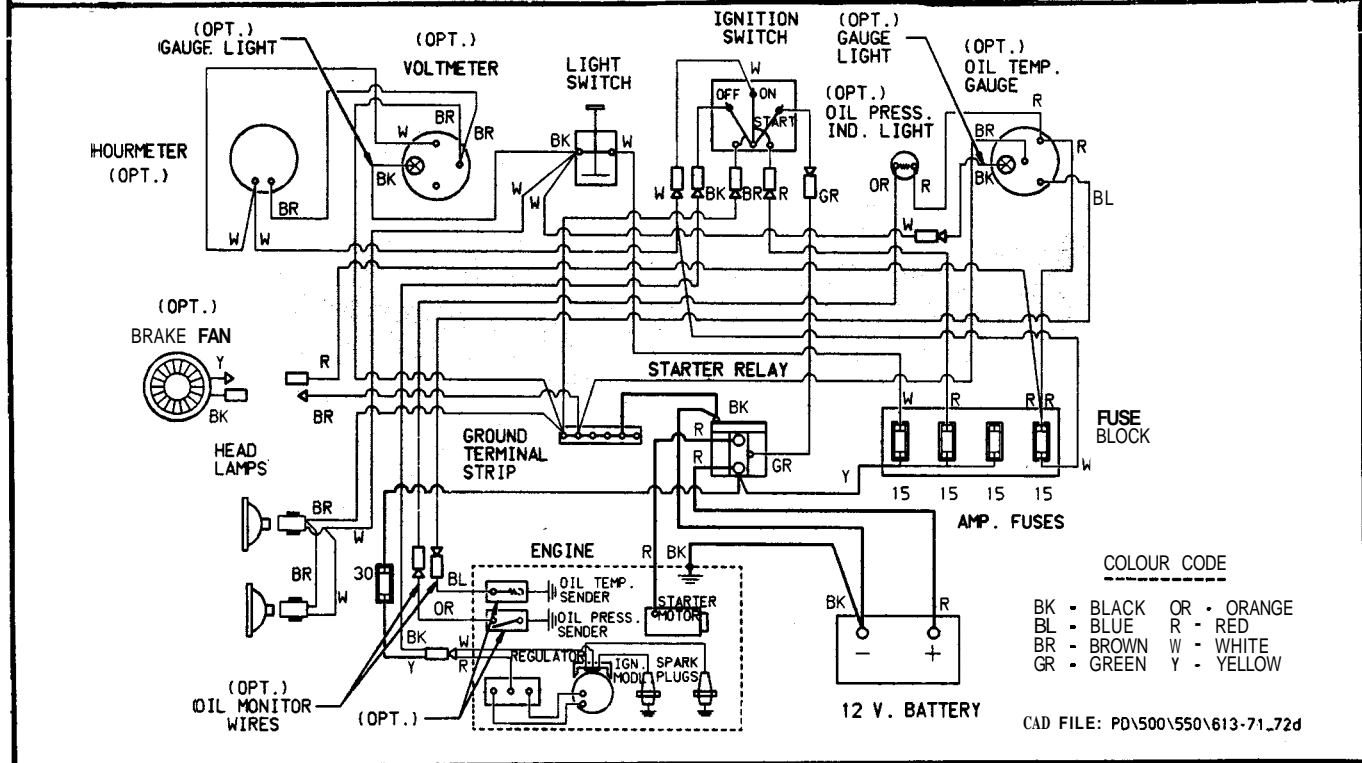
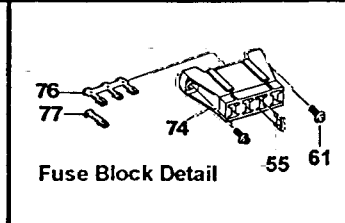
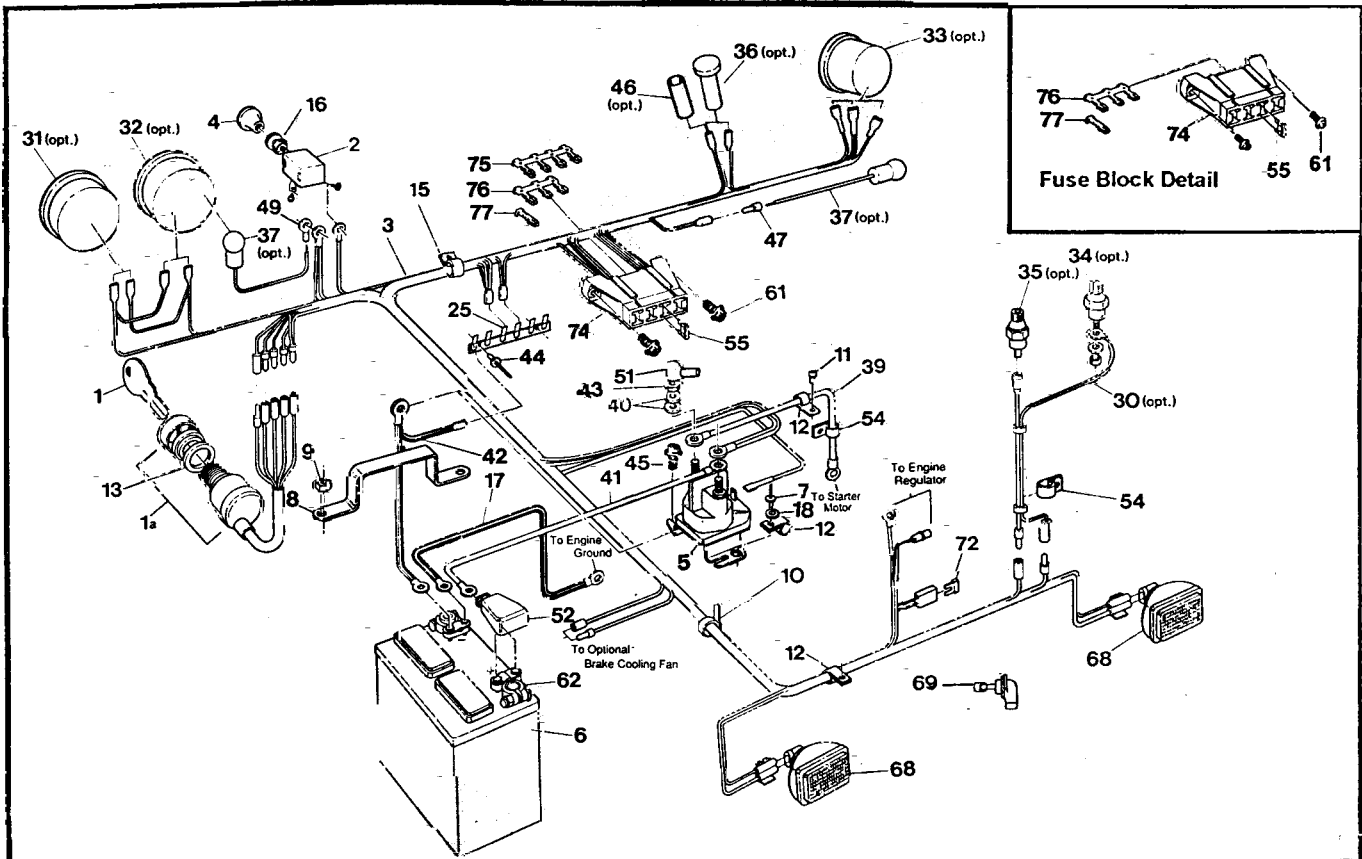
Ref	Qty	Part No.	Description
1	1	606-60	Frame Asm - 6x6
3	64	117-15	Nut, Fin Hex 3/8-16 Zinc
4	12	108-46	Washer .40x1.37x.12 Hi-Carbon
5	6	101-35	Bearing, Ball - 1.25
5a	10	101-41	Bearing, Ball - 1.0
6	66	108-06	Lockwasher 3/8
7	22	103-88	C/Bolt 3/8-16x1.0 GR5 Zinc
8	10	605-99	Gasket, Flange - Inner
9	12	605-89	Gasket, Outer Bearing Flange
10a	16	605-63	Flange - 4-hole
10b	10	101-20	Flange Greasable - 4 Hole
11	6	102-14	Seal, Oil 1.25x1.75x0.188
12	6	102-15	Seal, Oil 1.25x1.874x0.25
13	6	605-97	Flange Assem, Outer (incl. Refs. 11 & 12)
14	24	112-39	C/Bolt 3/8-16x1.75 GR5 Zinc
16	4	112-60	SHSS 1/4x28x1/2 Cup Pt.
17	1	606-30	Idler Asm. - L4x11T 2x24T
18	1	606-31	Idler Asm. - R4x11T 2x24T
19	5x6	103-80	Stud, Wheel 7/16-20 x 1.125 #B271
21	6	810-75	Axle Assembly (incl. Ref. 19)
23	1	604-84	Frame Assembly, Battery
24	4	810-28	Sprocket, Double - 24T
25	4	606-34	Sprocket - S60x19T
26	6	112-03	SHSS 5/16-18x3/8 1/2 DOG, PL
27	2	603-22	Chain, Idler RC40-2 x 46P (incl. Ref 51)
28	4	117-64	Insert, 1/4-20
29	10	112-31	HHCS 3/8-16 x 1.0 2B GR8 Zinc
30	2	112-14	HHCS 3/8-16x.75 GR5 Zinc
31	1	108-15	Washer 3/8 SAE Zinc
32	2	103-82	HHCS 3/8-16x1.5 GR5 Zinc
33	4	112-61	C/Bolt 3/8-16x1.25 GR5 Zinc
43	2	603-17	Chain RC50 - 2x42P - Front (incl. Ref 53)
44	2	603-26	Chain RC50 - 2x76P - Mid (incl. Ref 53)
45	2	603-83	Chain RC60 - 1x88P - Rear (incl. Ref 53)
46	5x6	117-35	Nut, Wheel 7/16-20 Zinc
47	6	125-26	Valve, Tire
48	6	125-13	Rim - 8x7 - 5 bolt - Charcoal
49	6	126-96	Tire, Goodyear Runamuk 22x10-8
51	1x2	100-97	Con. Link, RC40-2 H.D.
52	4	100-01	Pin, Cotter 1/8 x 1.50 Zinc
53	1x4	100-96	Con. Link, RC50-2 H.D.
54	1x2	603-84	Con. Link, RC60-1 STD.
55	4	127-65	Spring Torsion - 1.16x0.35
56	4	606-39	Slider Block - 1/2" Shaft
57	4	606-35	Tensioner Asm, Chain
58	4	127-64	Spring, Torsion - .76 x 1.9

8.0 Fuel System and Seat Assembly Vanguard Parts Manual



Vanguard Parts Manual 8.0 Fuel System & Seat Assembly

Ref	Qty	Part No.	Description
1	1	B03-50	Handrail Assembly
2	10	108-03	Lockwasher 1/4
3	6	112-41	PHMS, QUADREX 1/4-20x1.25 Zinc
4	1	608-39	Back Pad Assembly
5	1	608-43	Seat, Bench
6	1	608-30	Angle - Left
7	1	608-31	Angle - Right
9	10	112-04	HHCS 1/4-20x3/4 Gr2 Zinc
13	1	804-17	Frame Assembly, Seat
16	3	120-04	Washer, .195x.50x.08 Zinc
17	1	608-32	Tool Box
18	1	608-28	Pickup Assembly, Fuel (see Ref. 19)
19	1	608-24	Tank, Fuel 32 litre (incl. Ref. 18)
20	2	112-79	Clamp, Hose, 1/2" - Black
21	1	608-42	Fuel Hose, 110"
23	2	100-12	Clamp, Gear 2.25" HF36
24	1	125-94	Hose, Filler
25	1	126-47	Fuel Neck Assembly
26	1	126-46	Cap, Fuel
27	1	126-77	Hose, Vent 93" 6x6
28	1	126-50	Male Connector, 1/4"
29	4	126-94	Clamp, Nylon Wire, 1/4" ID
31	12	117-10	Locknut, Nylon #10-24 Zinc
33	4	126-93	Clamp, Nylon Wire, 1/2" ID
34	4	108-08	Washer 1/4 SAE Zinc
35	3	120-09	Rivet - 3/16 x 1
36	6	120-13	Rivet - 3/16 x 5/8
37	4	702-06	Foam Cushion
38	1	117-54	Locking PAL Nut, 1/2-20 Zinc
39	12	112-07	RHMS, 10-24 x 1.25 Zinc
40	12	108-42	Washer, .062 x 7/32 x 1.00 Zinc
41	1	103-48	T/S Pan HD Phil #10-5/8 A Zinc



Ref	Qty	Part No.	Description
1	1	100-39A-1	Key
1 a	1	126-17	Ignition Switch (incl. Ref 1)
2	1	100-62	Switch, Light
3	1	613-71	Main Wire Harness, (incl. Ref. 74, 76, 77)
4	1	126-76	Knob, Light
5	1	613-68	Starter Relay
6	1	127-54	Battery
7	1	120-09	Rivet - 3/16 x 1
8	1	604-52	Battery Retaining Bracket
9	2	117-21	Locknut, Nylon 5/16-18 Zinc
10	8	100-64	Tie Wrap, 5.5"- Black
11	1	103-48	T/S Pan HD Phil #10x5/8 A Zinc
12	12	126-93	Clamp, Nylon Wire - 1/2" ID
13	1	108-57	Washer, 3/4" ID, Tooth Lock
15	1	127-24	Clamp, Nylon - 1" ID
16	1	108-55	Lockwasher, Ext. Tooth 7/16"
17	1	613-14	Ground Wire
18	1	120-04	Washer
25	1	613-37	Ground Terminal Strip
30	1	613-38	Oil Monitor Wires (opt.)
31	1	632-15	Hourmeter, #56458-10 (#876EM) (opt.)
32	1	633-10	Voltmeter, #07583-15 (#830EM)
33	1	634-11	Oil Temp. Gauge #07556-88 (#828EM) (opt.)
34	1	634-12	Oil Temp. Sender #02024-00 (opt.)
35	1	25.099.24	Oil Pressure Switch, 6 psi (opt.) (Kohler #)
36	1	634-08	Light, Indicator (opt.)
37	2	634-10	Light Kit, #06215-00 5/8" dia, see Ref. 32 & 33 (opt.)
39	1	613-49	Cable, Starter
40	5	108-03	Lockwasher 1/4
41	1	613-26	Power Cable
42	1	613-58	Ground Wire
43	2	117-20	Nut, Fin. Hex, 1/4-20 Zinc
44	2	120-15	Rivet - 1/8 x 7/16
45	2	112-19	Screw, IHWH T/C 1/4- 20 x 1/2
46	1	118-48	Heat Shrink, 2 x 1/2 (opt.)
47	1	118-02	Terminal, Male-#76-1251- 88
49	1	118-30	Terminal, Eye - #10
51	1	613-45	Terminal Insulator (6 ga.)
52	1	127-55	Cap, Battery Terminal - Red
54	2	126-83	Clip, Hose 5/16 ID #C- 950PC
55	4	118-49	Fuse, 15 Amp, 2-prong (AT015)
61	2	112-51	Screw, IHWH T/C #10- 24x5/8
62	2	127-56	Terminal Bat. Post
68	2	613-69	Headlamp, Halogen (incl. Ref. 69)
69	2	127-46	Bulb, Headlight - Halogen
72	1	118-51	Fuse, 30A 2-prong (AT030)
74	1	118-60	Block - Fuse, 8 position (incl. with Ref. 3)
75	(opt.)	118-61	Terminal - Fuse, quad
76	1	118-63	Terminal - Fuse, triple
77	5	118-62	Terminal - Fuse, single

Argo Products Manufactured by:

Ontario Drive & Gear Limited

P.O. Box 280,220 Bergey Court

New Hamburg, Ontario

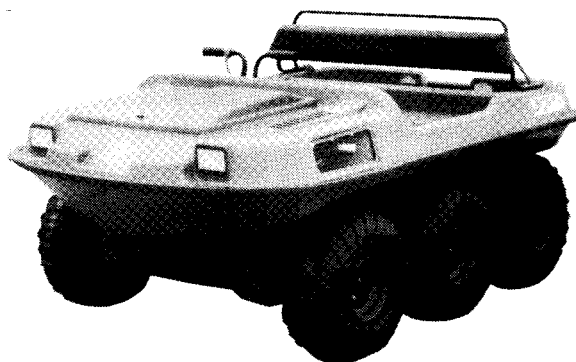
CANADA NOB 2G0

Phone: (519) 662-2840

Fax: (519) 662-2421

ODG Dedicated to quality and performance.

Argo 6x6
VANGUARD



ARGO

VANGUARD

PARTS MANUAL

Model No. V699-51
From Serial #S12222

Foreword

ODG has prepared this manual for the **VANGUARD** model to assist both qualified mechanics and vehicle owners in ordering correct, quality replacement **ARGO** parts.

Proper and regular service, and replacing old, worn or broken parts with the correct **ARGO** replacement parts, are both essential to prolonging the life of the **ARGO**. Please refer to this parts manual before ordering any replacement part.

All information contained in this **VANGUARD** Parts Manual is based on the latest product specification available at time of printing. If your **VANGUARD** differs from the specifications contained in this manual, **contact Ontario Drive & Gear Limited for information.**

ODG reserves the right to alter specifications on the **VANGUARD** model at any time, without obligation or prior notification.

Reproduction of the **VANGUARD** Parts Manual No. 699-51-2, in whole or in part, is prohibited without prior written permission from **Ontario Drive & Gear Limited.**

Model Identification

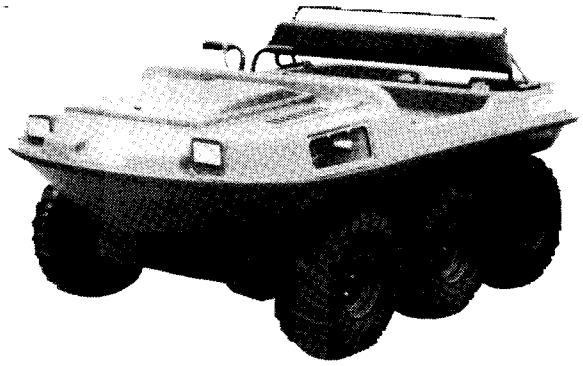
VANGUARD - Model No. V699-51

Explanation of Parts Manual Format

Ref	- Reference number between Assembly Diagram and Component Parts List
Part No.	- Argo replacement part number for identification and re-ordering
Description	- Part description for identification and re-ordering
Qty	- Indicates the quantity of a part used in an Assembly

ARGO 6x6

VANGUARD



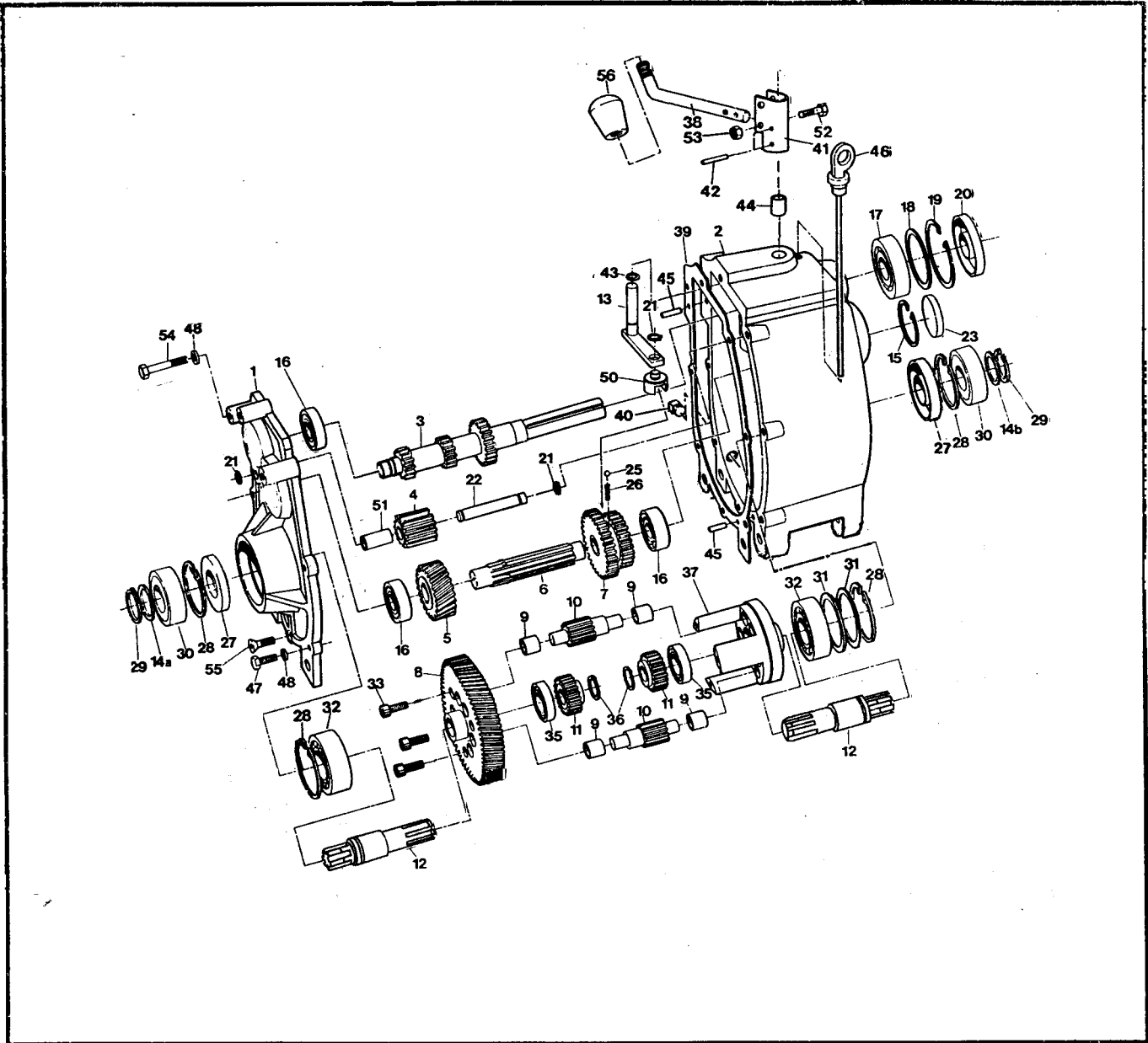
Using the Parts Manual

Find the major vehicle assembly in the Table of Contents on this page, and turn to that section.

2. Locate the part in the illustration that you wish to order.
3. Refer to the part list in that section
4. Find the correct part number (Part No.), part description (Description) and correct quantity (Qty).
5. Use *only* this information to order **ARGO** replacement parts. **DO NOT** attempt to order a replacement part by Ref number or page number.

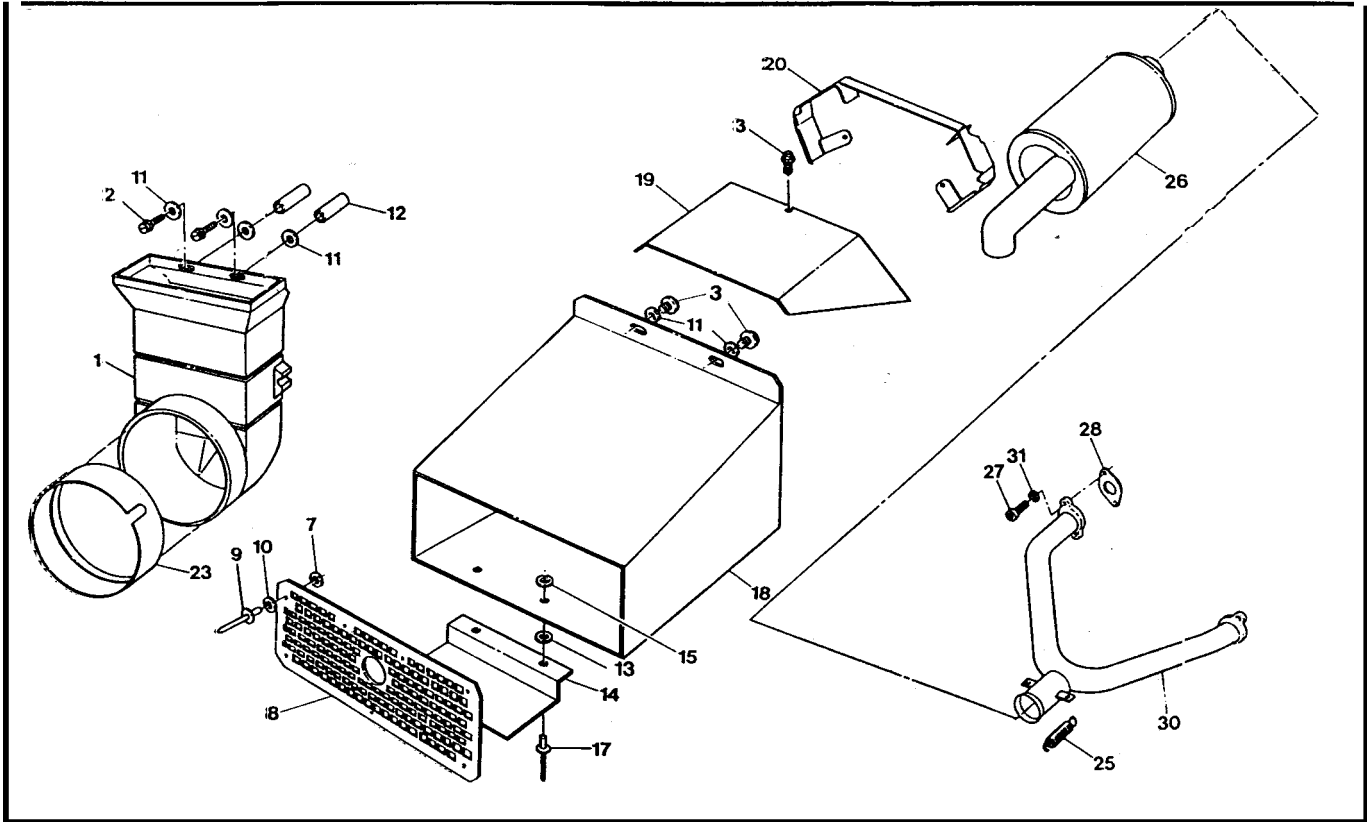
Table of Contents

Foreword	i
Model Identification	i
Using the Parts Manual	ii
1.0 Transmission	1
2.0 Intake and Exhaust System	3
3.0 Clutch System	3
4.0 Power Pack System	5
5.0 Brake System	7
5.0 Vehicle Body & Firewall	9
7.0 Frame & Drive System	11
6.0 Fuel System & Seat Assembly	13
9.0 Electrical Svstem	15

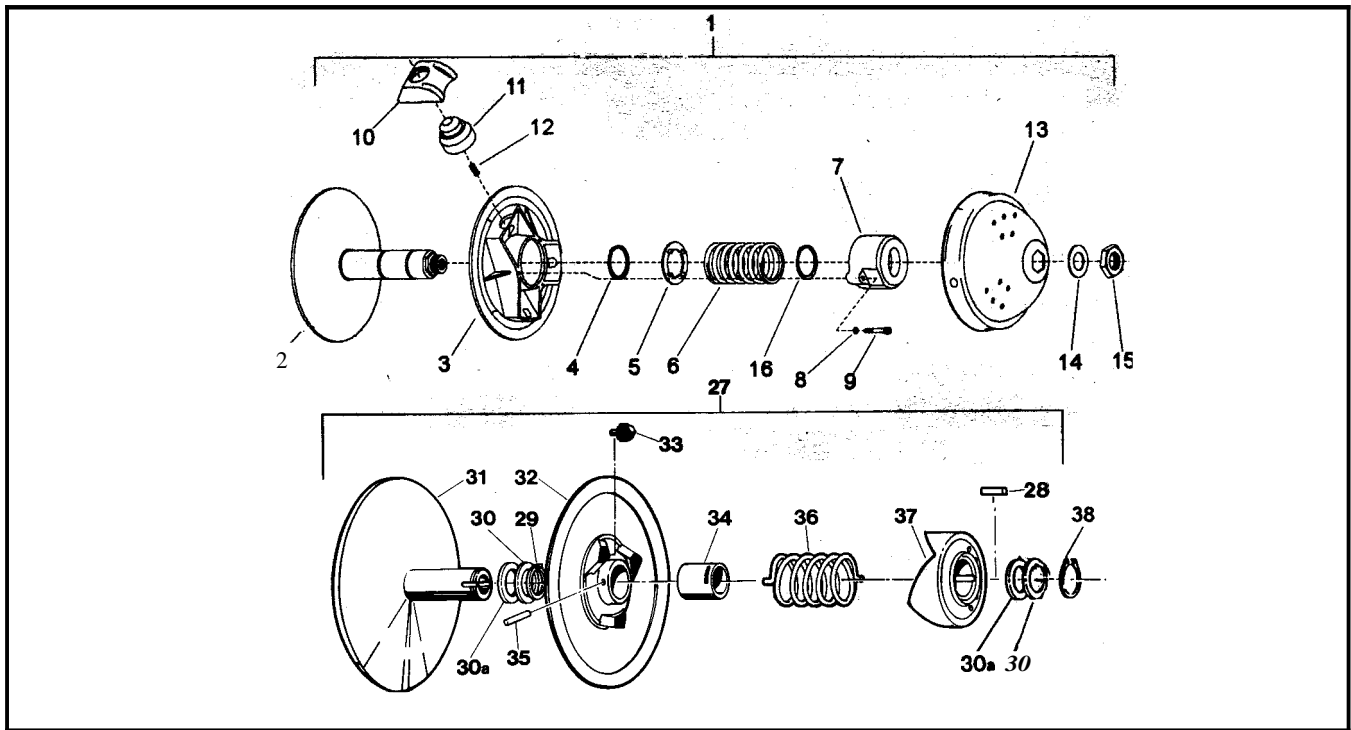


Ref	Qty	Part No.	Description
		310-18H	Transmission Asm - H, (does not include Refs 38, 52, 53 & 56)
1	1	34-68	Cover, Transmission
2	1	34-99	Housing, Transmission
3	1	34-21	Shaft, Input - 13/21T
4	1	34-16A	Sear, Idler 13T (incl. Ref. 51)
5	1	34-96	Sear, Helical - 26T-H
6	1	34-94	Shaft, Spline
7	1	34-91	Sear, Double - 26/33T
8	1	34-43	Sear Plate - 71T-H
9	12	105-03	Bushing, Oilite 1/2 x 3/4
10	6	34-13	Sear, Planet - 12T
11	2	34-14	Sear, Sun - 21T
12	2	34-98	Shaft, Output
13	1	34-65	Shifter Asm
14a	1	114-04	Washer, Shim .040 Thk
14b	1	114-05	Washer, Shim .020 Thk
15	1	106-01	Retaining Ring
16	3	101-01	Bearing, Ball 6204Z-C3
17	1	101-16	Bearing, Ball 6206-C3
18	as req.	114-02	Washer, Shim
19	1	106-05	Retaining Ring
20	1	102-05	Seal, Oil WBS 30x62x10
21	3	107-05	Retaining Ring
22	1	34-11	Pin, Dowel 1/2 x 3.50
23	1	31-07	Plug plate
25	1	109-05	Ball, Steel 6mm 62-67 Rc
26	1	34-32	Spring, Compression - 7/32 x 0.50
27	2	102-03	Seal, Oil WBS 30x72x10
28	4	106-03	Retaining Ring
29	2	107-02	Retaining Ring
30	2	101-05	Bearing, Ball 6306-2NSE C3
31	2	114-01	Washer, Shim .020x2.25x2.81
32	2	101-03	Bearing, Ball 6207-C3
33	3	103-04	SHCS 5/16-18 x 1.00 Bare
35	2	101-15	Bearing, Ball 6005-C3
36	2	107-04	Retaining Ring
37	1	34-08	Cage
38	1	610-77	Lever, Shift
39	1	34-47	Gasket, Cover - 1/64"Thk
40	1	103-02	Plug, Magnetic 3/8 - 18 NPT Sq. Hd.
41	1	34-86	Holder, Shift Lever
42	2	111-01	Pin, Slotted Spring 5/32 x 1.00
43	1	113-01	O-Ring 012-7147
44	1	105-02	Bushing, Oilite 1/2 x 1.0
45	2	104-03	Pin, Dowel 1/4 x 7/8
46	1	34-77	Dipstick - with Breather
47	4	103-06	HHCS 5/16-18x1.00 GR5 Zinc
48	7	108-05	Lockwasher 5/16
50	1	34-63	Shift Yoke
51	1	105-05	Bushing, Oilite 1/2 x 1.5 (in Ref 4)
52	1	103-97	HHCS 1/4-20x1.25 GR5 Zinc
53	1	117-27	Locknut, Nylon 1/4-20 Zinc
54	3	103-84	HHCS 5/16-18x2.25 GR5 Zinc
55	1	103-95	FHSC 5/16-18x1.0 GR8 Zinc
56	1	126-38	Knob, Shift

2.0 Intake and Exhaust System Vanguard Parts Manual



3.0 Clutch System

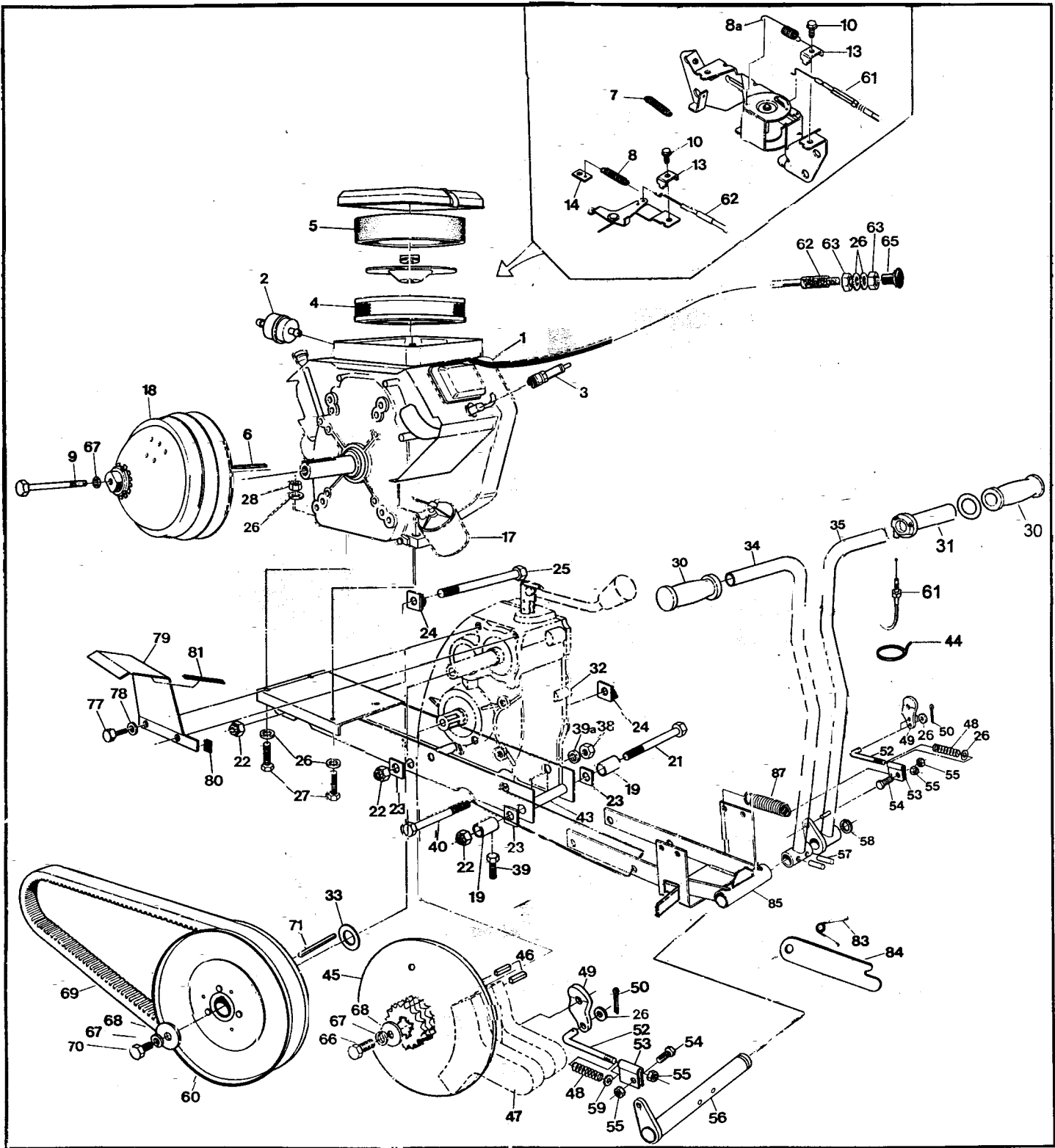


Ref	Qty	Part No.	Description
1	1	603-81	Duct, Intake
2	2	112-48	Screw, T/S HH#14x2.25 Zinc
3	5	112-19	Screw, IHWH T/C Slot 1/4- 20x1/2
7	7	120-05	Washer, .19x.50x.04 Zinc
8	1	707-31	Screen, Exhaust
9	7	120-09	Rivet 3/16 x 1
10	7	125-59	Washer, Fibre-.062x.25x.50
11	6	108-08	Washer, 1/4 SAE Zinc
12	2	120-29	Spacer, .26IDx1.12LG
13	2	125-58	Washer, Fibre - W-77F
14	1	707-28	Support, Exhaust Duct
15	2	120-04	Washer, .19x.50x.08 Zinc
17	2	120-13	Rivet - 3/16x5/8
18	1	707-32	Duct, Exhaust
19	1	707-26	Cover, Engine Duct
20	1	707-25	Duct, Engine
23	1	603-82	Seal
25	2	126-57	Spring, Extension
26	1	707-15	Muffler
27	4	112-30	SHCS, M8x1.25x20.0 Zinc
28	2	805024	Gasket
30	1	707-05	Manifold, Exhaust
31	4	108-02	Lockwasher, Hi-Collar 5/16, Bare

3.0 Clutch System

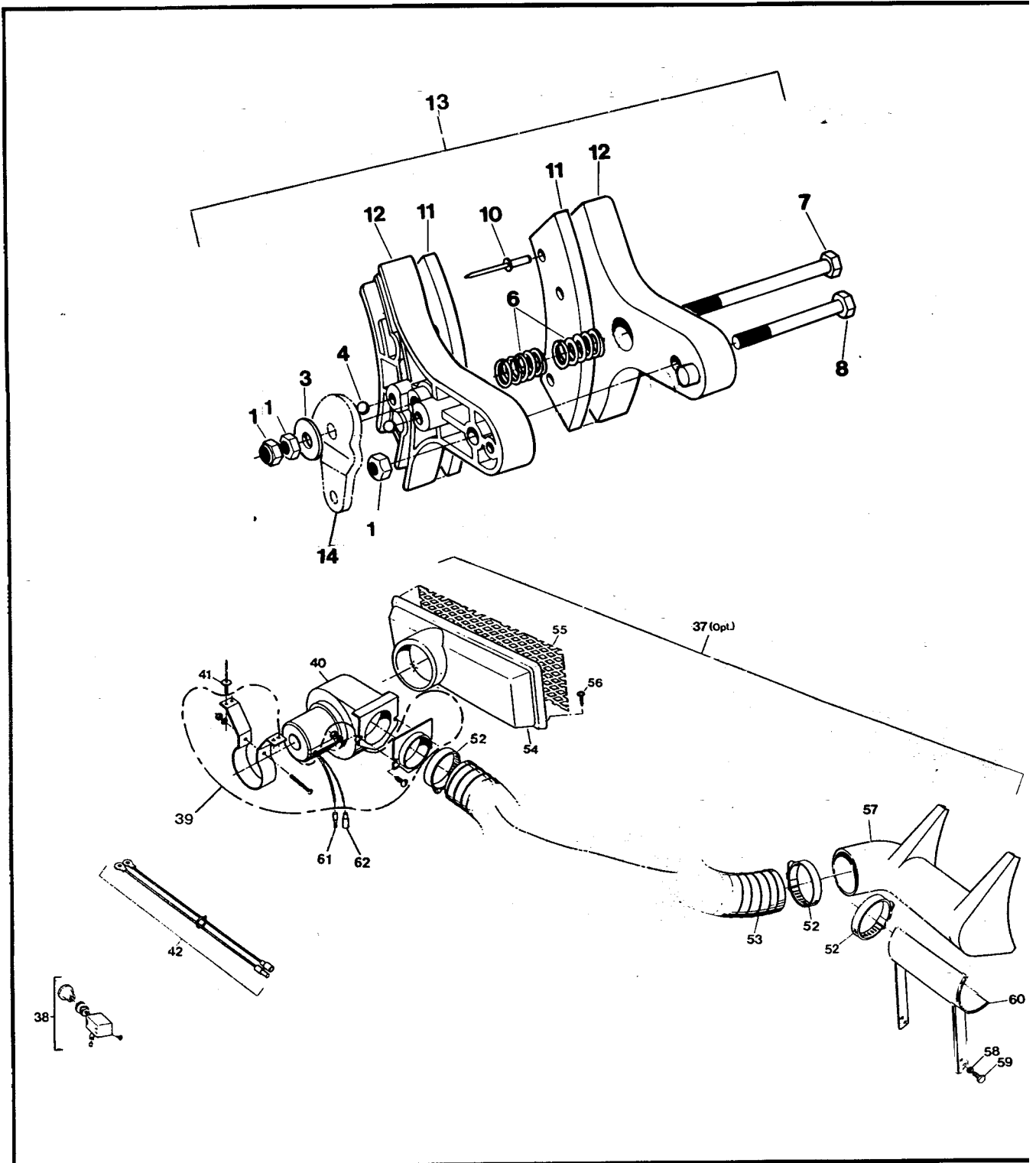
Ref	Qty	Part No.	Description
1	1	127-72	Clutch, Driver, keyed (incl. Refs. 2 to 15) IBC#0400-0028
2	1	0405-0021	Pulley, Half - Fixed
3	1	0410-0007	Pulley, Half - Sliding
4	1	V08	Ring, Retaining
5	1	V09	Plate, Spring Guide
6	1	V10-48-108-18	Spring
7	1	0440-0001	Cover, Spring
8	3	420-2453-700	Lockwasher
9	3	222-9640-66	SHCS
10	3	0130-3002	Block, Red
11	3	C13-200	Weight - 2009
12	3	C24-L1	Spring, Anti-Noise
13	1	0115-0015(B)	Cap
14	1	0080-0153	Washer
15	1	0080-0100	Nut
16	1	V08C	Ring, Retaining
27	1	126-24	Clutch, Driven-Model"B" SODB0001 (incl. Refs. 28 to 37)
28	1	ASK-5	Key 1/4 x 114 x 5/8
29	1	ASR-6	Retaining Ring
30	as req	ASA-1	Spacer .050" Thick
30a	as req	ASA-1-S	Spacer .025" Thick
31	1	AFK25.4-250OD01	Pulley, Half - Fixed
32	1	AMC-2-250OD01	Pulley, Half - Sliding incl. Refs. 33, 34 and 35
33	3	ANS-2-T	Shoe, Cam
34	1	AMB-2	Bushing, Bronze
35	1	111-01	Pin, Spring 5/32 x 1.00 Slotted
36	1	ACS-3-188	Spring, Blue
37	1	AFC-4-C3D4	Cam
30	1	371-9031-000	Retaining Ring

4.0 Power Pack Assembly Vanguard Parts Manual



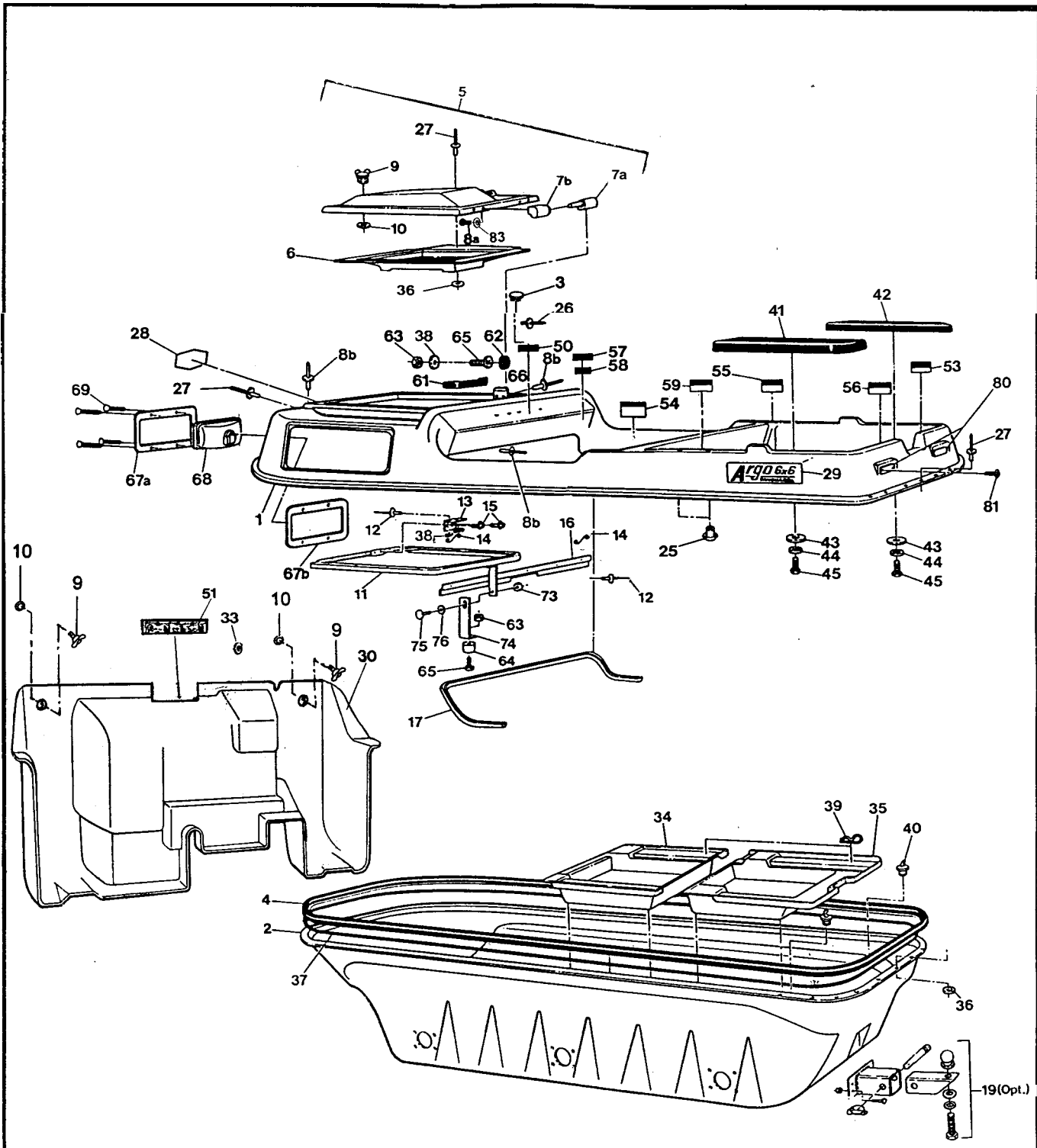
Vanguard Parts Manual 4.0 Power Pack Assembly

Ref	Qty	Part No.	Description
1	1	126-52	Engine-Vanguard V-Twin 16 HP (incl. refs. 2-14, 17) B&S#3034471026E1
2	1	125-64	Fuel filter, G81-4
3	2	126-74	Spark Plug #3926
4	1	394018	Filter - Air (B&S#)
5	1	272490	Element, - Foam (B&S#)
6	1	110-03	Key 1/4x3/16x2.375 RC46
7	1	805523	Spring, Governor - Green
8	1	125-88	Spring, Extension
8a	1	127-49	Spring, Return
9	1	112-28	HHCS 3/8-24x4.5 Gr5 Zinc
10	2	805169	Screw-Hex Head (BS #)
13	2	805170	Clamp - Casing (BS #)
14	1	601-86	Clip, Retainer
17	1	126-95	Filter, Oil
18			See Section 3.0 Clutch
19	2	811-14	Spacer
21	1	112-57	HHCS 5/8-11x10.00 Gr5 Zinc
22	3	117-09	Locknut, Nylon 5/8-11 Zinc
23	3	811-09	Washer, Square .64ID
24	2	811-15	Washer, Square lock .64ID
25	2	112-58	HHCS 5/8-11x7.50 Gr5 Zinc
26	14	108-24	Washer 5/16 SAE Zinc
27	4	112-27	HHCS 5/16-18x1.75 Gr5 Zinc
28	4	117-21	Locknut, Nylon 5/16-18 Zinc
30	2	127-35	Grip, Molded Rubber
31	1	127-81	Throttle Twist Grip
32			See Section 1.0 Transmission
33	as req	108-36	Washer .06x1.00x1.375 Zinc
34	1	612-98	Lever, Steering - LH
35	1	612-99	Lever, Steering - RH
38	2	117-06	Nut, Fin Hex 1/2-13 Zinc
39	2	103-53	HHCS 3/8-16x3.0 Full Thread
39a	2	108-07	Lockwasher 1/2
40	2	112-52	HHCS 1/2-13x7.0 Gr5 Zinc
43	1	611-71	Frame-Power Pack
44	1	100-64	Tie-Wrap - 5.5" - Black
45	2	610-76	Brake Disc #40-2x15T
46	4	110-14	Key 1/4x1/4x1.25
47			See Section 5.0 Brake System
48	2	127-48	Spring, Comp. .54x1.90
49	2	61241	Brake Cam
50	2	100-03	Pin, Cotter 3/32x.750 Zinc
52	2	612-21	Brake Adjusting Rod
53	2	612-20	Steering Rod Clamp
54	2	103-46	HHCS 5/16-24x1.0 Gr5 Zinc
55	4	117-04	Locknut, Nylon 5/16-24 Zinc
56	1	612-81	Steering Shaft Asm.
57	2	111-04	Pin, Spirol 5/16x1.50
58	1	107-01	Retaining Ring
60			See Section 3.0 Clutch System
61	1	612-101	Cable Asm, Throttle
62	1	612-92	Cable Asm, Choke (incl. 63)
63	2		Jam Nut, 5/16-24 (Part of 62)
65	1	126-75	Knob, Choke - Black
66	2	103-18	HHCS 3/8-24x1.25 Gr5 Zinc
67	4	108-06	Lockwasher 3/8
68	3	108-18	Washer 13/32x1.375 x 11GA
69	1	125-56	Drive Belt
70	1	103-34	HHCS 3/8-16x1.25 Gr5 Zinc
71	1	110-09	Key 1/4 x 1/4 x 3.0
77	2	103-17	HHCS 3/8-16x1.0 Gr5 Zinc
78	2	108-26	Washer 3/8 Zinc
79	1	603-29	Guard, Belt Protect
80	1	601-92	Vinyl Trim - 1.5
81	1	601-93	Vinyl Trim - 4.25"
83	1	126-87	Spring, Parking Brake
84	1	612-80	Holding Brake Lever
85	1	612-100	Bracket Asm., Mech. Brake
87	2	127-33	Spring, Extension - Strg Lever



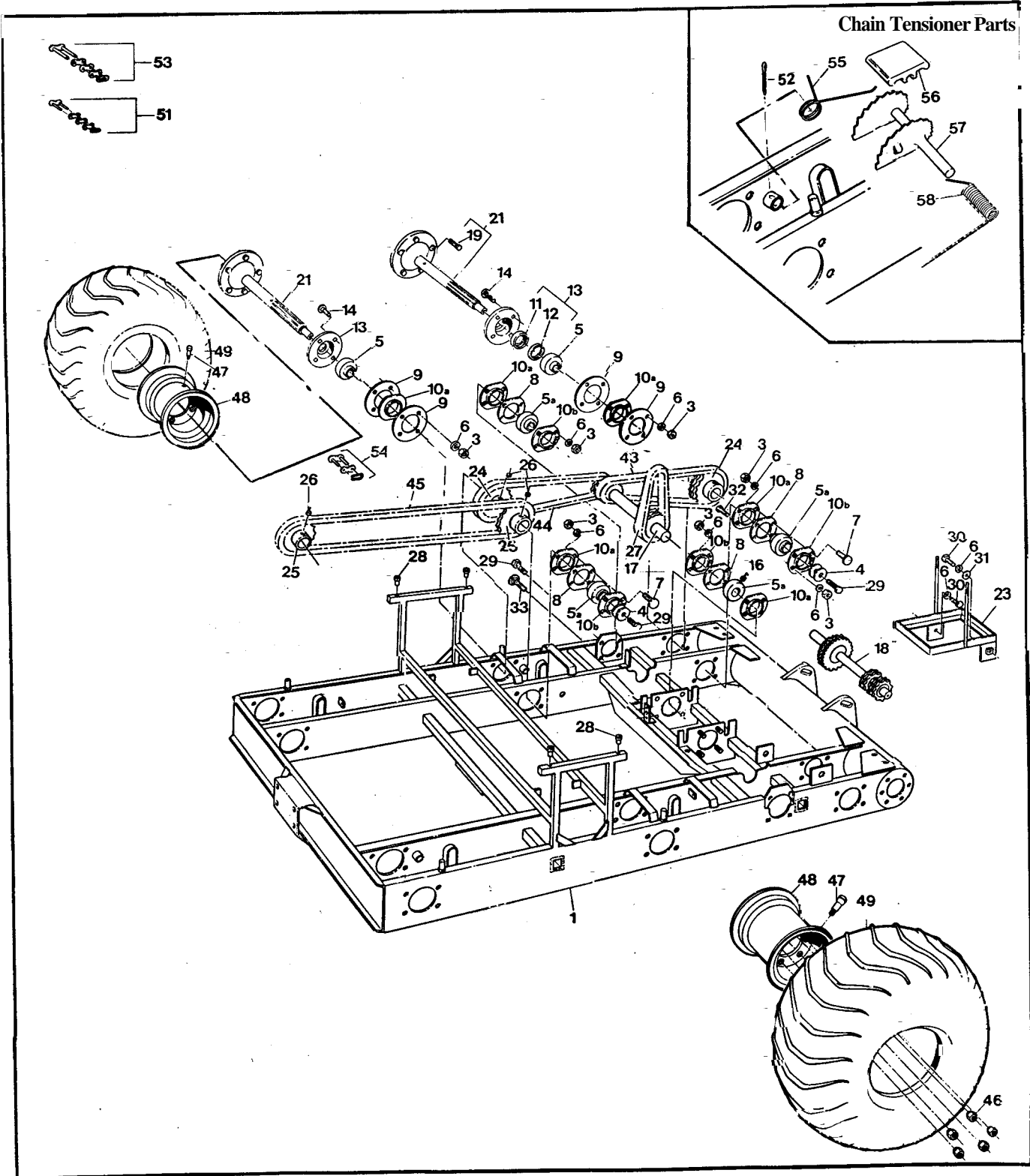
Ref	Qty	Part No.	Description	
1	3x2	117-46	Locknut, 2-way 5/16-24 Zn	
3	1x2	108-12	Washer, .34x1.00x.06 Zinc	
4	2x2	109-02	Ball, Steel 1/4 Chromesteel	
6	2x2	100-10	Spring, Compression	
7	1x2	103-16	HHCS 5/16-24x3.75 Gr8Zn	
8	1x2	103-29	HHCS 5/16-24x2.75 Gr8Zn	
10	8x2	120-11	Rivet - 5/32x9/16	
11	1x2	100-56	Brake Pad, Set of 2	
12	2x2	100-54A	Caliper, Brake	
13	1x2	100-72A	Brake Assembly (incl. Refs. 1 to to 12)	
14			See Section 4.0 Power Pack Assembly	
37	1	668-03	Brake Cooling Kit-Van2 (incl. Refs. 38 to 62)	
38	1	100-62	Switch, Light	
39		125-92	Adpt. & Mounting Kit (incl. Refs. 43 to 50)	
40	1	125-91	Blower Fan	
41	4	120-13	Rivet - 3/16x5/8	
42	1	613-05	Wire Harness	
43	1	See 125-92 above	Mounting Bracket	
44	1		Nut, #10-32	
45	1		Lockwasher, 3/16"	
46	1		Screw, #10-32 x 2"	
47	2		Nut, 1/4-20	
48	2		Lockwasher, 1/4"	
49	2		Screw, 1/4-20 x 5/8"	
50	1		Adaptor, 3" dia.	
52	3		125-35	Clamp, Gear 3.50" HF-52
53	1		127-44	Hose, Intake 3" dia. x 46"
54	1	601-89	Intake Flange (specify clr)	
55	1	126-61	Intake Screen	
56	4	112-56	Pan HD Phil T/S #10x3/4 A Zinc	
57	1	127-39	Brake Cooling Duct	
58	4	108-03	Lockwasher 1/4	
59	4	112-19	Screw, IHWH T/C Slot 1/4- 20x1/2	
60	1	668-11	Mounting Bracket - Duct	
61	1	118-02	Terminal, Male - #76-1251	
62	1	118-03	Terminal, Female - #76-1289	

6.0 Vehicle Body & Firewall Vanguard Parts Manual



Vanguard Parts Manual 6.0 Vehicle Body & Firewall

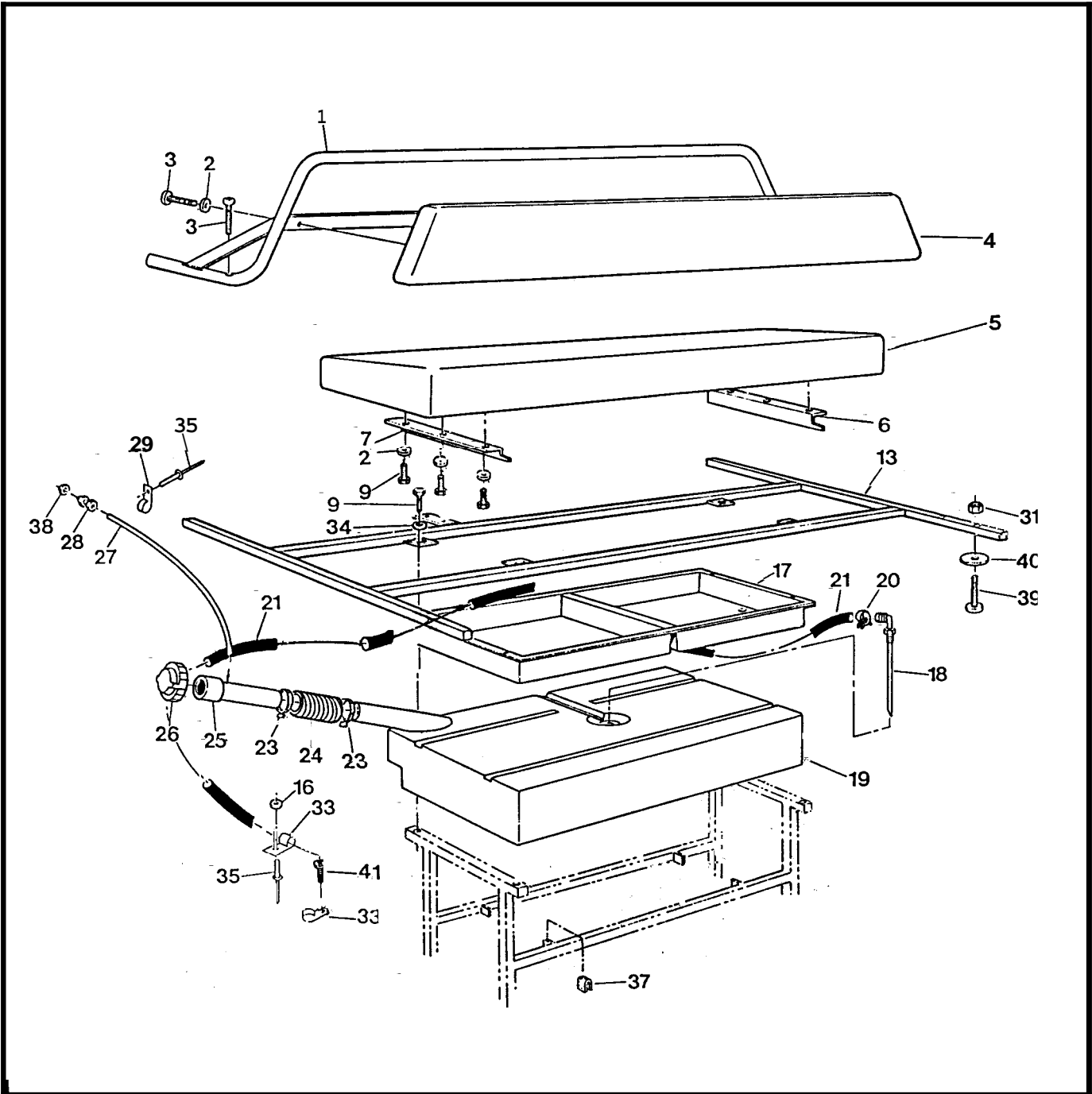
Ref	Qty	Part No.	Description
1	1	301-32	Body + Hood, Upper - Van Replacement, specify colour (incl Ref5,11,12,13,14,15 & 38)
2	1	303-92BL	Body, Lower - 6x6, Black
3	1	127-28	Plug, Nylon - Black
4	1	301-05	Bumper, Vinyl - 6x6
5	1	302-37	Hood Kit, Vanguard specify colour (incl Ref 6 to 10 & 36c)
6	1	301-47	Duct, Intake Transition, specify colour
7a	2	127-45A	Pin, Hinge
7b	2	127-45B	Knuckle, Hinge
8a	8	103-47	HHCS 10-24 x 1/2
8b	12	120-13	Rivet- 3/16 x 5/8
9	3	126-10	Wing Stud
10	3	126-09	Grommet, Alum, #GH-7
11	1	302-24	Hood Support Assembly
12	6	120-15	Rivet - 1/8 x 7/16
13		301-69	Spring Plate
14	3	126-11	Spring
15	2	112-19	Screw, IHWH T/C Slot 1/4-20x 1/2
16	1	302-29	Brace, Dash
17	1	301-08	Vinyl Trim, 84"
19	1	326-10	Hitch Kit (Opt)
25	4	117-44	T-Nut 1/4-20
26	42	120-24	Rivet - Alum, 3/32x3/8-all plates
27	76	120-09	Rivet - 3/16 x 1
28	1	301-44	Nameplate, "ARGO"
29	2	127-41	Nameplate, 6x6 Vanguard2
30	1	309-37	Firewall - Vanguard
34	1	503-02	Floor Pan, Front, specify colour
35	1	303-03	Floor Pan, Rear 6x6, specify colour
36	51	120-04	Washer, 1% 50x.08 Zinc
37	1	126-60	Vinyl Strip 1/2"x1/4"x37.5'
38	4	120-05	Washer, .19x.50x .04 Zinc
39	4	100-16	Clip, Hitch Pin 1.625 Zinc
40	2	100-18	Plug, Drain 5/8" x 13/32
41	1	301-03	Seat, Rear LH - 6x6
42	1	301-02	Seat, Rear RH - 6x6
43	2	303-15	Washer, Plastic
44	2	108-01	Washer, Fender 1/4 SAE Zinc
45	2	103-08	HHCS 1/4-20x 1.00 Zinc
50	1	127-97	Plate, Caution - Keyswitch
51	1	126-65	Shifting Plate
53	1	126-67	Floor Pan Plate
54	1	126-68	Operation Plate
55	1	126-69	Fuel Plate
56	1	127-76	Plate, Capacity - Land/Water
57	1		Vehicle ID Plate
58	1		U S Plate, Non U.S Argos only
59	1	127-51	Plate, Capacity - 6x6
61	1	125-41	Dash Handle (incl 62)
62	2		Plug cap (avail only with 61)
63	3	117-10	Locknut, Nylon #10-24 Zinc
64	1	126-88	Bumper, Rubber
65	3	103-25	PHMS #10-24 x 3/4" Zinc
66	1	602-38	Clip, Hood
67a	2	613-75	Bezel, Headlamp
67b	2	613-76	Bracket, Headlight Backing
68			See Section 9.0 Electrical System
69	8	103-24BL	OHPS T/S #6 x 1 00 Black
73	1	117-15	Nut, Fin Hex 3/8-16 Zinc
74	1	602-27	Support, Adjustable
75	1	103-89	C/Bolt 3/8-16 x 75 Gr2 Zinc
76	1	108-06	Lockwasher 3/8
80	2	127-01	Reflector, Red
81	4	103-48	T/S Pan HD Phil #10x5/8 A Zinc
83	8	108-59	Lockwasher, #10 Int. tooth LN



Vanguard Parts Manual 7.0 Frame & Drive System

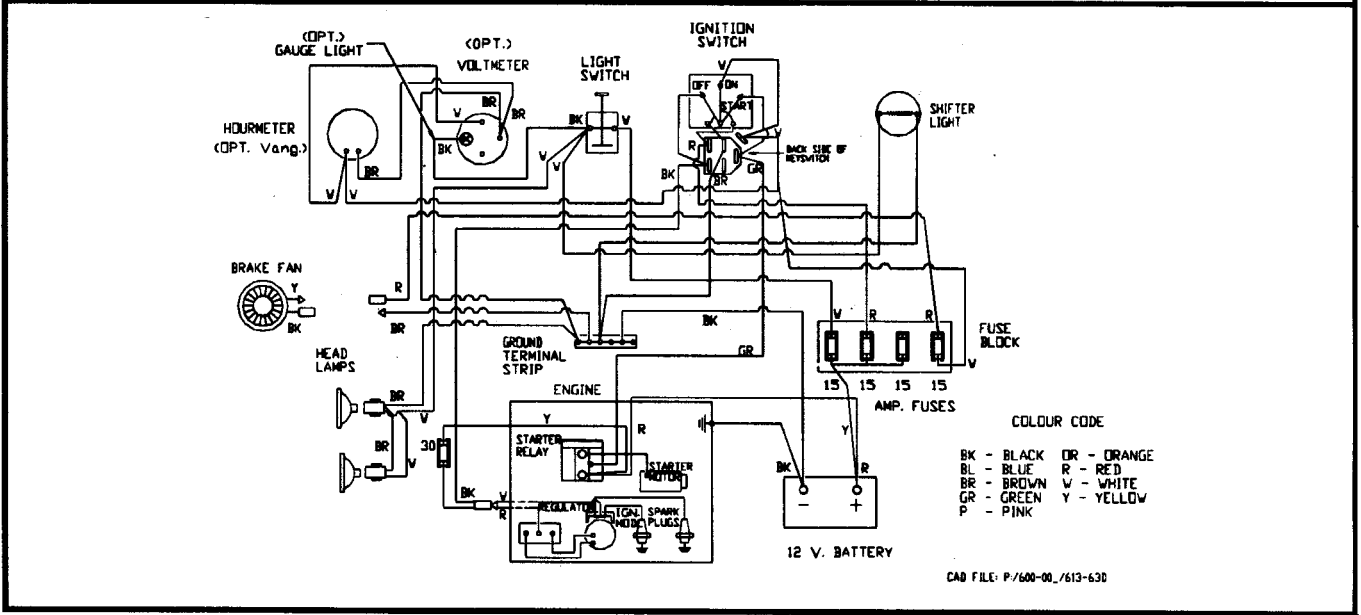
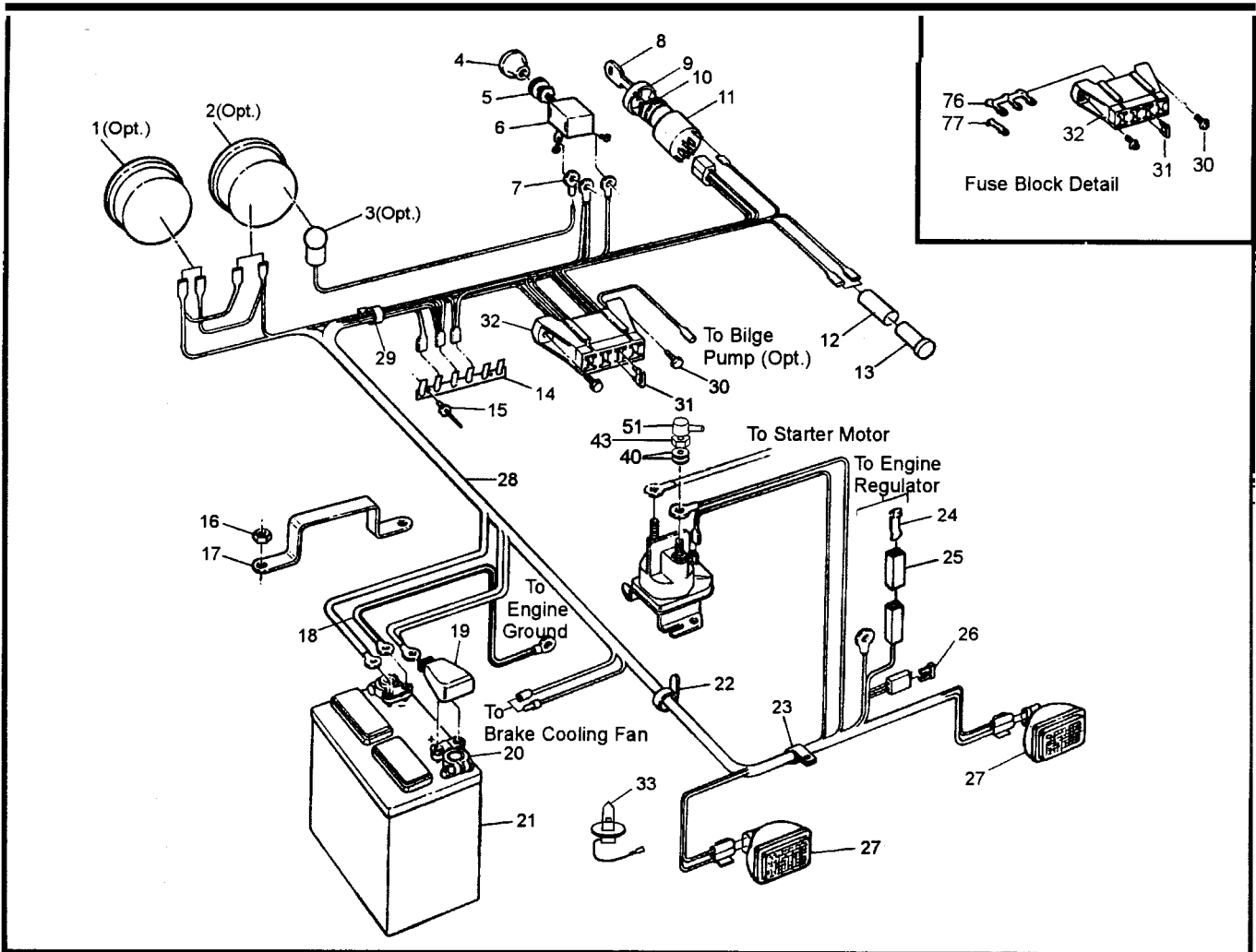
Ref	Qty	Part No.	Description
1	1	606-60	Frame Asm - 6x6
3	64	117-15	Nut, Fin Hex 3/8-16 Zinc
4	12	108-46	Washer .40x1.37x.12 Hi-Carbon
5	6	101-35	Bearing, Ball - 1.25
5a	10	101-41	Bearing, Ball - 1.0
6	66	108-06	Lockwasher 3/8
7	22	103-88	C/Bolt 3/8-16x1.0 GR5 Zinc
8	10	605-99	Gasket, Flange - Inner
9	12	605-89	Gasket, Outer Bearing Flange
10a	16	605-63	Flange - 4-hole
10b	10	101-20	Flange Greasable - 4 Hole
11	6	102-14	Seal, Oil 1.25x1.75x0.188
12	6	102-15	Seal, Oil 1.25x1.874x0.25
13	6	605-97	Flange Assem, Outer (incl. Refs. 11 & 12)
14	24	112-39	C/Bolt 3/8-16x1.75 GR5 Zinc
16	4	112-60	SHSS 1/4x28x1/2 Cup Pt.
17	1	606-30	Idler Asm. - L4x11 T 2x24T
18	1	606-31	Idler Asm. - R4x11 T 2x24T
19	5x6	103-80	Stud, Wheel 7/16-20 x 1.125#B271
21	6	810-75	Axle Assembly (incl. Ref. 19)
23	1	604-84	Frame Assembly, Battery
24	4	810-28	Sprocket, Double - 24T
25	4	606-34	Sprocket - S60x19T
26	6	112-03	SHSS 5/16-18x3/8 1/2 DOG, PL
27	2	603-22	Chain, Idler RC40-2 x 46P (incl. Ref 51)
28	4	117-64	Insert, 1/4-20
29	10	112-31	HHCS 3/8-16 x 1.0 2B GR8 Zinc
30	2	112-14	HHCS 3/8-16x.75 GR5 Zinc
31	1	108-15	Washer 3/8 SAE Zinc
32	2	103-82	HHCS 3/8-16x1.5 GR5 Zinc
33	4	112-61	C/Bolt 3/8-16x1.25 GR5 Zinc
36		127-80	Link, Half - RC60 - 1 (opt.)
43	2	603-17	Chain RC50 - 2x42P - Front (incl. Ref 53)
44	2	603-26	Chain RC50 - 2x76P - Mid (incl. Ref 53)
45	2	603-83	Chain RC60 - 1x88P - Rear (incl. Ref 53)
46	5x6	117-35	Nut, Wheel 7/16-20 Zinc
47	6	125-26	Valve, Tire
48	6	125-13	Rim - 8x7 - 5 bolt - Charcoal
49	6	126-96	Tire, Goodyear Runamuk 22x10-8
51	1x2	100-97	Con. Link, RC40-2 H.D.
52	4	100-01	Pin, Cotter 1/8 x 1.50 Zinc
53	1x4	100-96	Con. Link, RC50-2 H.D.
54	1x2	603-84	Con. Link, RC60-1 STD.
55	4	127-65	Spring Torsion - 1.16x0.35
56	4	606-39	Slider Block - 1/2" Shaft
57	4	606-35	Tensioner Asm, Chain
58	4	127-64	Spring, Torsion - .76 x 1.9

8.0 Fuel System and Seat Assembly Vanguard Parts Manual



Vanguard Parts Manual 8.0 Fuel System & Seat Assembly

Ref	Qty	Part No.	Description
1	1	803-50	Handrail Assembly
2	10	108-03	Lockwasher 1/4
3	6	112-41	PHMS, QUADREX 1/4-20x1.25 Zinc
4	1	608-39	Back Pad Assembly
5	1	608-43	Seat, Bench
6	1	608-30	Angle - Left
7	1	608-31	Angle - Right
9	10	112-04	HHCS 1/4-20x3/4 Gr2 Zinc
13	1	804-17	Frame Assembly, Seat
16	3	120-04	Washer, .195x.50x.08 Zinc
17	1	608-32	Tool Box
18	1	608-28	Pickup Assembly, Fuel (see Ref. 19)
19	1	608-24	Tank, Fuel 32 litre (incl. Ref. 18)
20	2	112-79	Clamp, Hose, 1/2" - Black
21	1	608-42	Fuel Hose, 110"
23	2	100-12	Clamp, Gear 2.25" HF36
24	1	125-94	Hose, Filler
25	1	126-47	Fuel Neck Assembly
26	1	126-46	Cap, Fuel
27	1	126-77	Hose, Vent 93" 6x6
28	1	126-50	Male Connector, 1/4"
29	4	126-94	Clamp, Nylon Wire, 1/4" ID
31	12	117-10	Locknut, Nylon #10-24 Zinc
33	4	126-93	Clamp, Nylon Wire, 1/2" ID
34	4	108-08	Washer 1/4 SAE Zinc
35	3	120-09	Rivet - 3/16 x 1
36	6	120-13	Rivet - 3/16 x 5/8
37	4	702-06	Foam Cushion
38	1	117-54	Locking PAL Nut, 1/2-20 Zinc
39	12	112-07	RHMS, 10-24 x 1.25 Zinc
40	12	108-42	Washer, .062 x 7/32 x 1.00 Zinc
41	1	103-48	T/S Pan HD Phil #10-5/8 A Zinc



Ref	Qty	Part No.	Description
1	1	632-15	Hourmeter #56458-10 (#876EM)(opt.)
2	1	633-10	Voltmeter #07583-15 (#830EM)(opt.)
3	2	634-10	Light Kit, #06215-00 5/8" dia, see Ref. 32 & 33 (opt.)
4	1	126-76	Knob, Light
5	1	108-55	Lockwasher 7/16 Ext. Tooth
6	1	100-62	Switch, Light
7	1	118-30	Terminal, Eye - #10
8	2	127-108	Key, molded
9	1	127-107	Cover, nut
10	1	127-106	Nut, flanged - plastic
11	1	127-105	Switch - Egnition
12	1	118-48	Heat Shrink
13	1	634-08	Light, Indicator
14	1	613-37	Terminal Strip, Ground
15	2	120-15	Rivet 1/8 x 7/16
16	2	117-21	Locknut, Nylon 5/16-18 Zinc
17	1	604-52	Bracket, Battery Retaining
18	1	613-14	Ground Wire
19	1	127-55	Cap, Battery Terminal - Red
20	2	127-56	Terminal, Battery Post
21	1	127-54	Battery
22	8	100-64	Tie Wrap - 5.5" - Black
23	10	126-93	Clamp, Nylon Wire - 1/2" ID
24	1	118-56	Contact
25	1	118-57	Connector Housing
26	1	118-51	Fuse, 30A 2-prong (AT030)
27	2	613-69	Headlamp, Halogen (incl. Ref. 33)
28	1	613-63	Wire Harness
29	1	127-24	Clamp, Nylon - 1" ID
30	2	112-51	Screw, IHWH T/C #10-24x5/8
31	4	118-49	Fuse, 15 A 2-prong (AT015)
32	1	118-60	Block Fuse - 8 position (4 fuse)
33	2	127-46	Bulb, Headlight - Halogen
40	5	108-03	Lockwasher 1/4 Zinc
43	2	117-20	Nut, Fin. Hex 1/4-20 Zinc
51	1	613-45	Insulator, Terminal (6 ga.)
76	1	118-63	Terminal, Fuse - Triple
77	5	118-62	Terminal, Fuse - Single

Argo Products Manufactured by:

Ontario Drive & Gear Limited

P.O. Box 280, 220 Bergey Court

New Hamburg, Ontario

CANADA N0B 2G0

Phone: (519) 662-2840

Fax: (519) 662-2421

ODG Dedicated to quality and performance.

Argo 6x6
VANGUARD



ARGO

**VANGUARD
PARTS MANUAL**

**Model Nos. V699-51
From Serial # S12222**

Foreword

ODG has prepared this parts manual for the VANGUARD model to assist both qualified mechanics and vehicle owners in ordering correct, quality replacement ARGO parts.

Proper and regular service, and replacing old, worn or broken parts with the correct ARGO replacement parts, are both essential to prolonging the life of the ARGO. Please refer to this parts manual before ordering any replacement part.

All information contained in this VANGUARD Parts Manual is based on the latest product specification available at time of printing. If your VANGUARD differs from the specifications contained in this manual, contact Ontario Drive & Gear Limited for information.

ODG reserves the right to alter specifications on the VANGUARD model at any time, without obligation or prior notification.

Reproduction of the VANGUARD Parts Manual No. 699-51-2, in whole or in part, is prohibited without prior written permission from Ontario Drive & Gear Limited.

Model Identification

VANGUARD - Model No. V699-51

Explanation of Parts Manual Format

- | | |
|--------------------|--|
| Ref | - Reference number between assembly diagram and component parts list |
| Part No. | - Argo replacement part number for identification and re-ordering |
| Description | - Part description for identification and re-ordering |
| Qty | - Indicates the quantity of a part used in an Assembly |

ARGO 6x6

VANGUARD

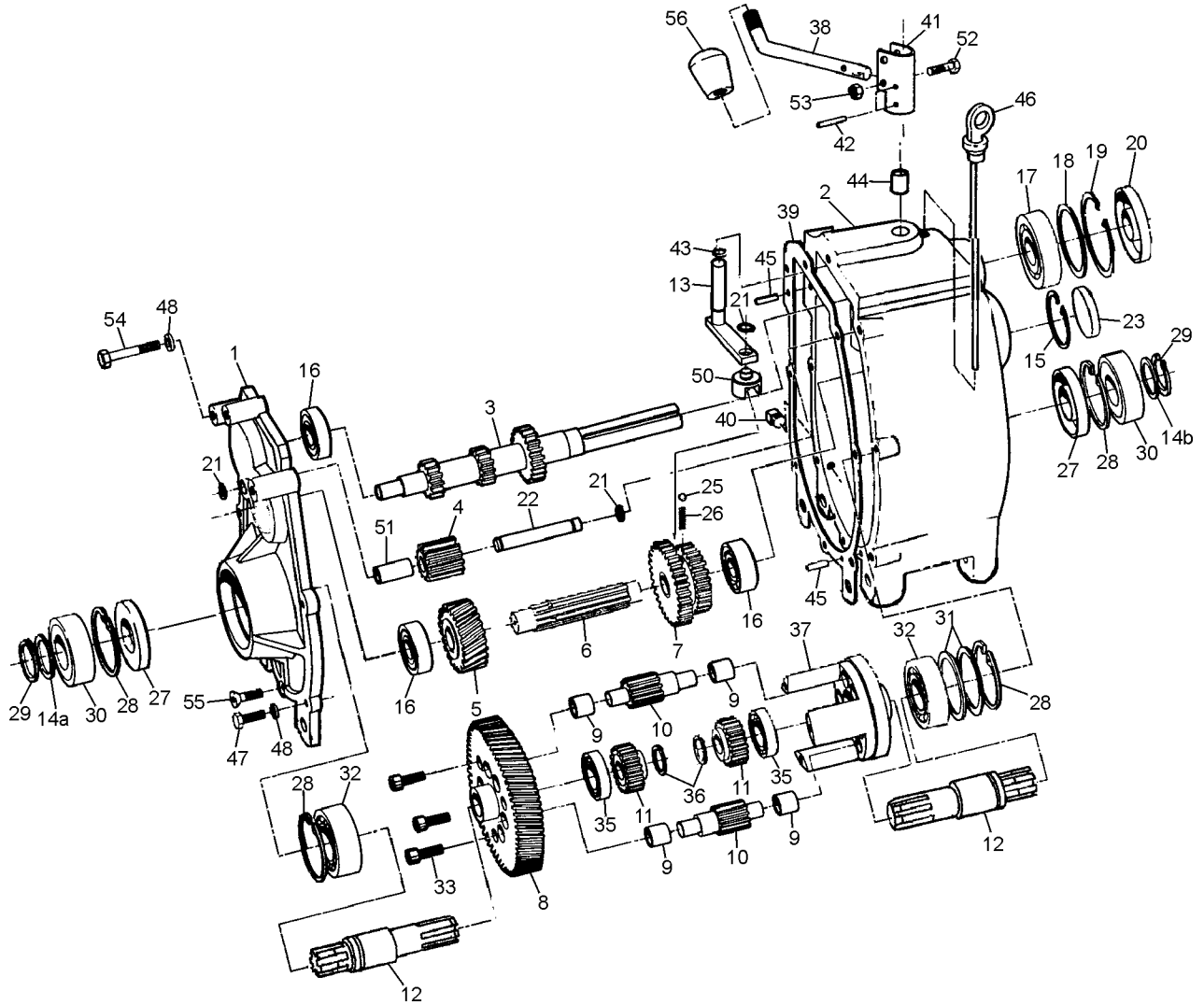


Using the Parts Manual

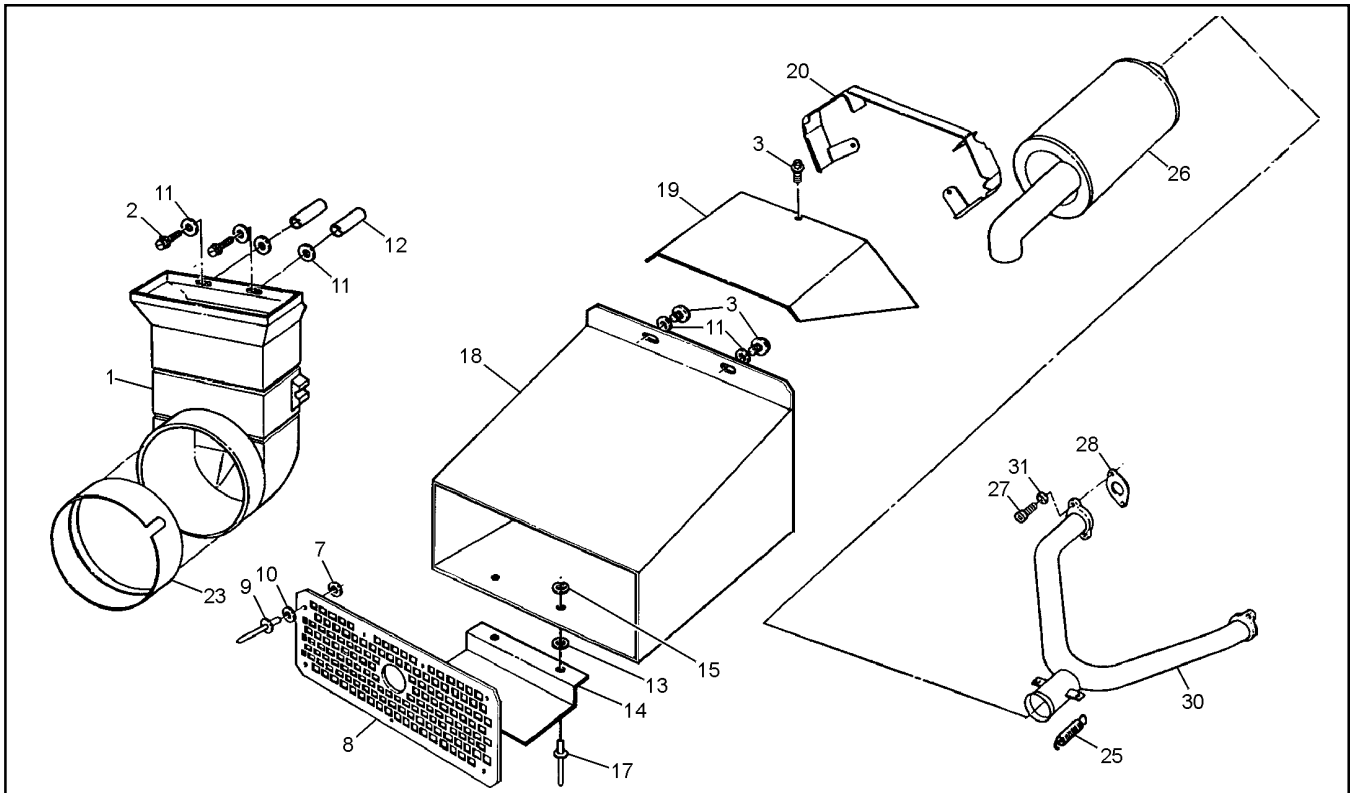
1. Find the major vehicle assembly in the Table of Contents on this page, and turn to that section.
2. Locate the part in the illustration that you wish to order.
3. Refer to the parts list in that section.
4. Find the correct part number (Part No.), part description (Description) and correct quantity (Qty).
5. Use *only* this information to order ARGO replacement parts. *DO NOT* attempt to order a replacement part by reference number or page number.

Table of Contents

Foreword	i
Model Identification	i
Using the Parts Manual	ii
1.0 Transmission	1
2.0 Intake and Exhaust System	3
3.0 Clutch System	4
4.0 Power Pack Assembly	5
5.0 Brake System - Hydraulic	7
6.0 Vehicle Body & Firewall	9
7.0 Frame & Drive System	11
8.0 Fuel System & Seat Assembly	13
9.0 Electrical System	15



Ref.	Qty.	Part #	Description
*		610-18H	Transmission Asm - H, (does not include Refs 38, 52, 53 & 56)
1	1	34-68	Cover, Transmission
2	1	34-99	Housing, Transmission
3	1	34-21	Shaft, Input - 13/21T
4	1	34-16A	Gear, Idler 13T (incl. Ref. 51)
5	1	34-96	Gear, Helical - 26T-H
6	1	34-94	Shaft, Spline
7	1	34-91	Gear, Double - 26/33T
8	1	34-43	Gear Plate - 71T-H
9	12	105-03	Bushing, Oilite ½ x ¾
10	6	34-13	Gear, Planet - 12T
11	2	34-14	Gear, Sun - 21T
12	2	34-98	Shaft, Output
13	1	34-65	Shifter Asm
14a	1	114-04	Washer, Shim .040 Thk
14b	1	114-05	Washer, Shim .020 Thk
15	1	106-01	Retaining Ring
16	3	101-01	Bearing, Ball 6204Z-C3
17	1	101-16	Bearing, Ball 6206-C3
18	as req.	114-02	Washer, Shim
19	1	106-05	Retaining Ring
20	1	102-05	Seal, Oil WBS 30x62x10
21	3	107-05	Retaining Ring
22	1	34-11	Pin, Dowel ½ x 3.50
23	1	31-07	Plug plate
25	1	109-05	Ball, Steel 6mm 62-67 Rc
26	1	34-32	Spring, Compression - 7/32 x 0.50
27	2	102-03	Seal, Oil WBS 30x72x10
28	4	106-03	Retaining Ring
29	2	107-02	Retaining Ring
30	2	101-05	Bearing, Ball 6306-2NSE C3
31	2	114-01	Washer, Shim .020x2.25x2.81
32	2	101-03	Bearing, Ball 6207-C3
33	3	103-04	SHCS 5/16-18 x 1.00 Bare
35	2	101-15	Bearing, Ball 6005-C3
36	2	107-04	Retaining Ring
37	1	34-08	Cage
38	1	610-77	Lever, Shift
39	1	34-47	Gasket, Cover - 1/64"Thk
40	1	103-02	Plug, Magnetic 3/8 - 18 NPT Sq. Hd.
41	1	34-86	Holder, Shift Lever
42	2	111-01	Pin, Slotted Spring 5/32 x 1.00
43	1	113-01	O-Ring 012-7147
44	1	105-02	Bushing, Oilite 1/2x 1.0
45	2	104-03	Pin, Dowel 1/4 x 7/8
46	1	34-77	Dipstick - with Breather
47	4	103-06	HHCS 5/16-18x1.00 GR5 Zinc
48	7	108-05	Lockwasher 5/16
50	1	34-63	Shift Yoke
51	1	105-05	Bushing, Oilite ½ x 1.5 (in Ref 4)
52	1	103-97	HHCS 1/4-20x1.25 GR5 Zinc
53	1	117-27	Locknut, Nylon 1/4-20 Zinc
54	3	103-84	HHCS 5/16-18x2.25 GR5 Zinc
55	1	103-95	FHSC 5/16-18x1.0 GR8 Zinc
56	1	126-38	Knob, Shift

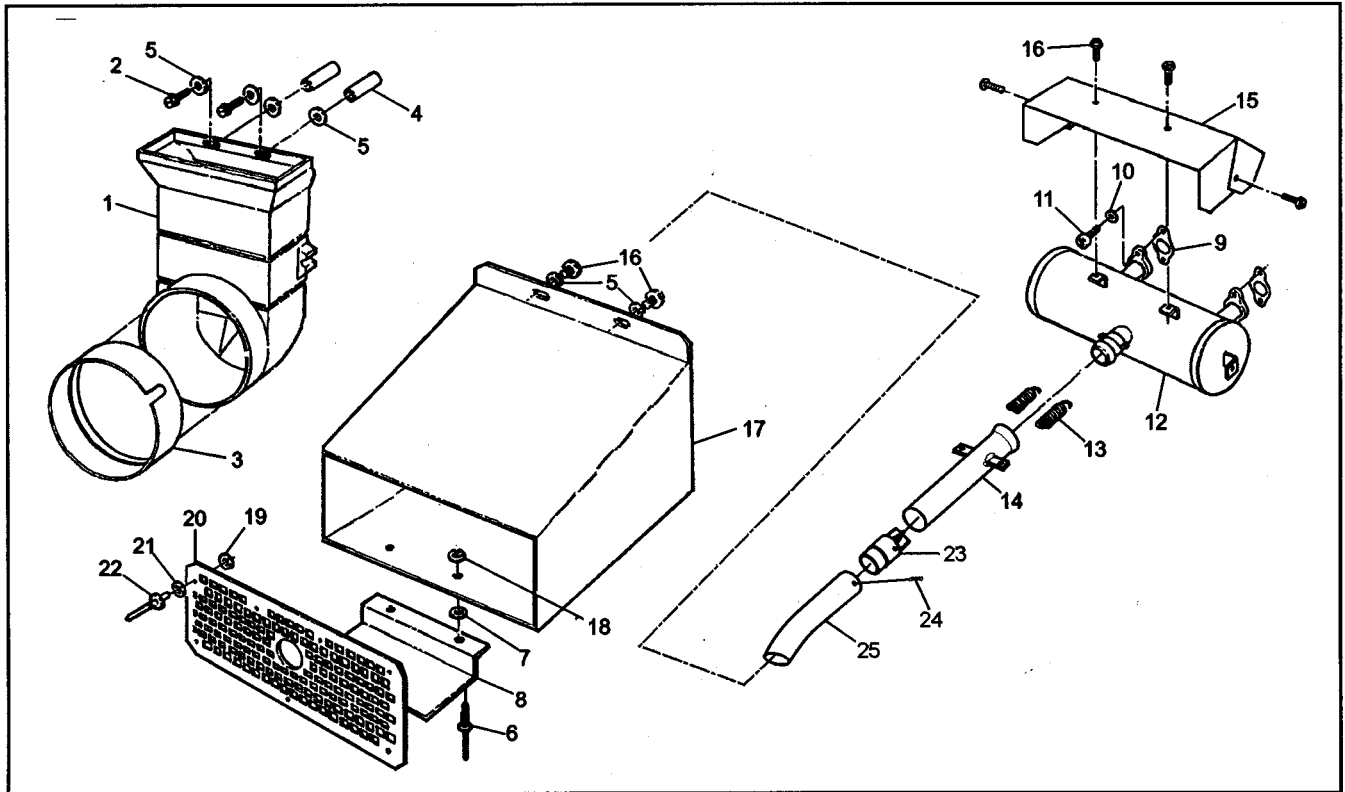


Ref.	Qty.	Part #	Description
1	1	603-81	Duct, Intake
2	2	112-48	Screw, T/S HH#14x2.25 Zinc
3	5	112-19	Screw, IHWH T/C Slot 1/4- 20x1/2
7	7	120-05	Washer, .19x.50x.04 Zinc
8	1	707-31	Screen, Exhaust
9	7	120-09	Rivet 3/16 x 1
10	7	125-59	Washer, Fibre -.062x.25x.50
11	6	108-08	Washer, 1/4 SAE Zinc
12	2	120-29	Spacer, .26IDx1.12LG
13	2	125-58	Washer, Fibre - W-77F
14	1	707-28	Support, Exhaust Duct
15	2	120-04	Washer, .19x.50x.08 Zinc
17	2	120-13	Rivet - 3/16x5/8
18	1	707-32	Duct, Exhaust
19	1	707-26	Cover, Engine Duct
20	1	707-25	Duct, Engine
23	1	603-82	Seal
25	2	126-57	Spring, Extension
26	1	707-15	Muffler
27	4	112-30	SHCS, M8x1.25x20.0 Zinc
28	2	805024	Gasket
30	1	707-05	Manifold, Exhaust
31	4	108-02	Lockwasher, Hi-Collar 5/16, Bare

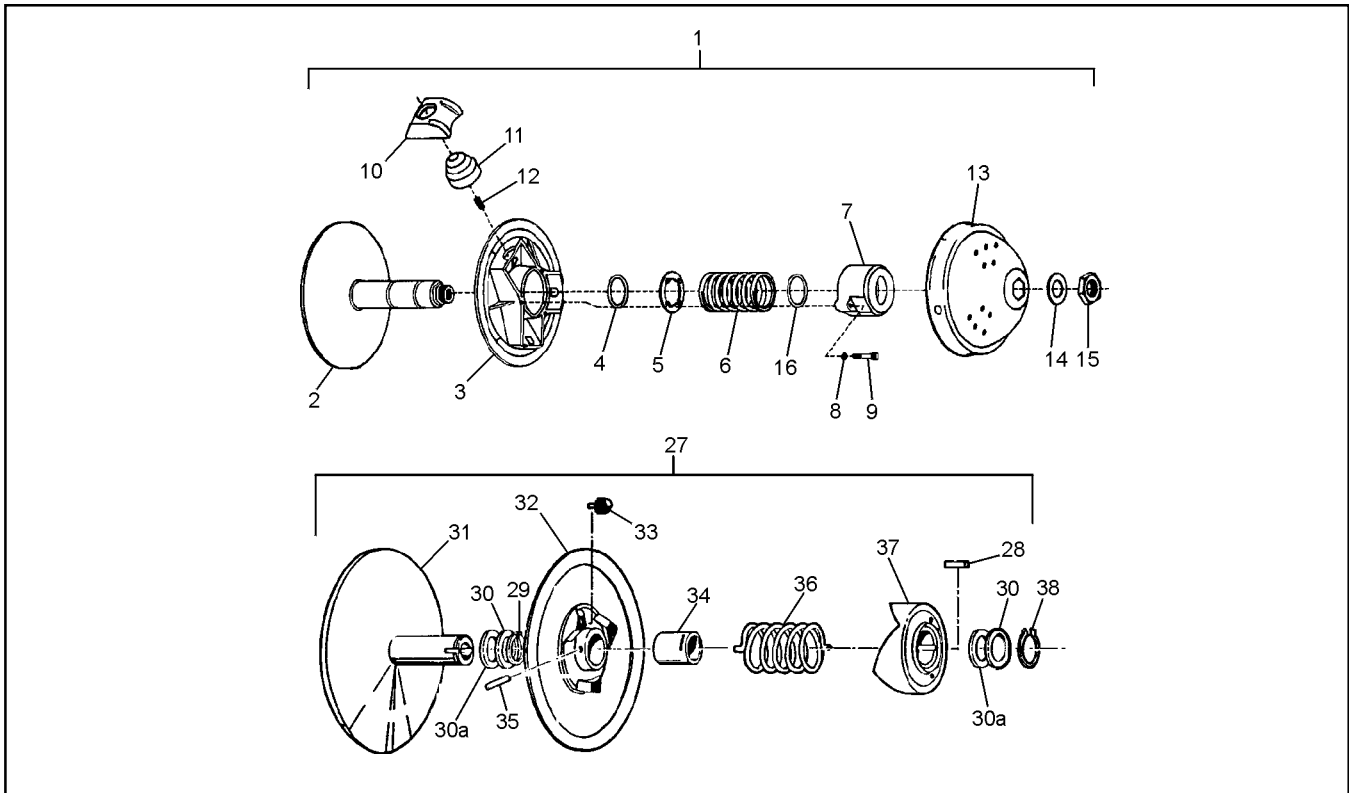
From S/N S13434

2.0 Intake and Exhaust System

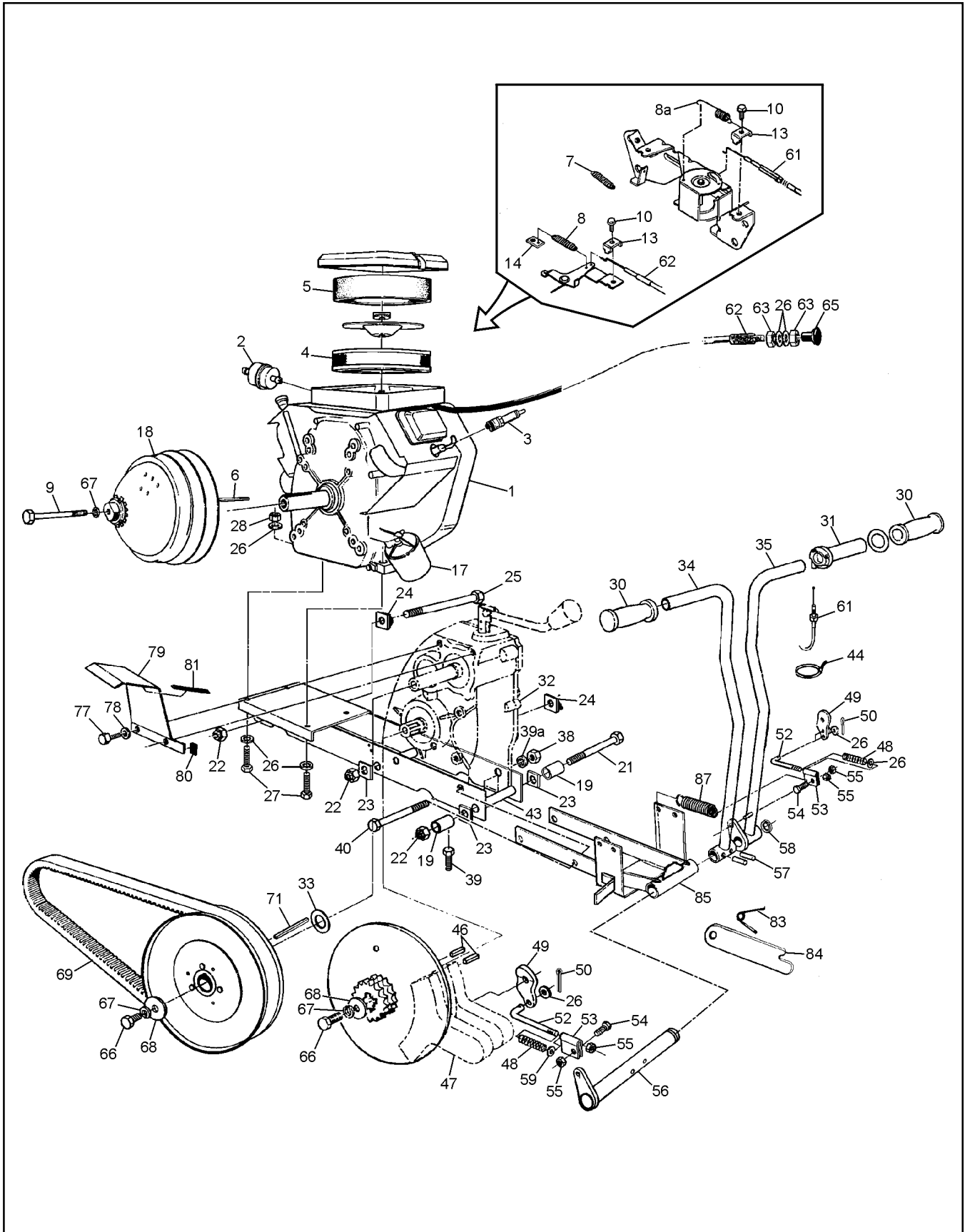
Vanguard Parts Manual



Ref.	Qty.	Part #	Description
1	1	603-81	Duct, Intake
2	2	112-48	Screw, T/S HH#14x2.25 Zinc
3	1	603-82	Seal
4	2	120-29	Spacer, .26 ID x 1.12 LG
5	6	108-08	Washer, .28 x .62 x .04 Zinc
6	2	120-13	Rivet 3/16 x 5/8 - Black
7	2	125-58	Washer, Fibre - W-77F
8	1	707-28	Support, Exhaust Duct
9	2	805024	Gasket
10	4	108-02	Lockwasher 5/16 Hi-Collar Bare
11	4	112-30	SHCS M8x1,25x20mm Zinc
12	1	807-90	Muffler, B&S V-Twin Weld Ass'y
13	2	126-57	Spring, Extension- 7/16x2.14
14	1	807-92	Pipe, Mufflertail - B&S
15	1	807-85	Shield, Muffler Heat
16	6	112-19	Screw, IHWH T/C Slot 1/4-20x1/2
17	1	707-32	Duct, Exhaust
18	2	120-04	Washer .19x.50x.08 Zinc
19	7	120-05	Washer .19x.50x.04 Zinc
20	1	707-31P	Screen, Exhaust
21	7	125-59	Washer, Fibre-.062x.25x.50
22	7	120-09	Rivet 3/16 x 1 - Black
23	1	807-67	Spark Arrester
24	1	112-43	Screw, IHWH #8 x 3/8
25	1	807-89	Tube, Tailpipe Outlet



Ref.	Qty.	Part #	Description
1	1	127-72	Clutch, Driver, keyed (incl. Refs. 2 to 15) IBC #0400-0028
2	1	0405-0021	Pulley, Half - Fixed
3	1	0410-0007	Pulley, Half - Sliding
4	1	V08	Ring, Retaining
5	1	V09	Plate, Spring Guide
6	1	V10-48-108-18	Spring
7	1	0440-0001	Cover, Spring
8	3	420-2453-700	Lockwasher
9	3	222-9640-66	SHCS
10	3	0130-3002	Block, Red
11	3	C13-200	Weight - 200g
12	3	C24-L1	Spring, Anti-Noise
13	1	0115- 0015(B)	Cap
14	1	0080-0153	Washer
15	1	0080-0100	Nut
16	1	V08C	Ring, Retaining
27	1	126-24	Clutch, Driven-Model "B" SODB0001 (incl. Refs. 28 to 37)
28	1	ASK-5	Key 1/4 x 1/4 x 5/8
29	1	ASR-6	Retaining Ring
30	as req	ASA-1	Spacer .050" Thick
30a	as req	ASA-1-S	Spacer .025" Thick
31	1	AFK25.4-250OD01	Pulley, Half - Fixed
32	1	AMC-2-250OD01	Pulley, Half - Sliding incl. Refs. 33, 34 and 35
33	3	ANS-2-T	Shoe, Cam
34	1	AMB-2	Bushing, Bronze
35	1	111-01	Pin, Spring 5/32 x 1.00 Slotted
36	1	ACS-3-188	Spring, Blue
37	1	AFC-4-C3D4	Cam
38	1	371-9031-000	Retaining Ring

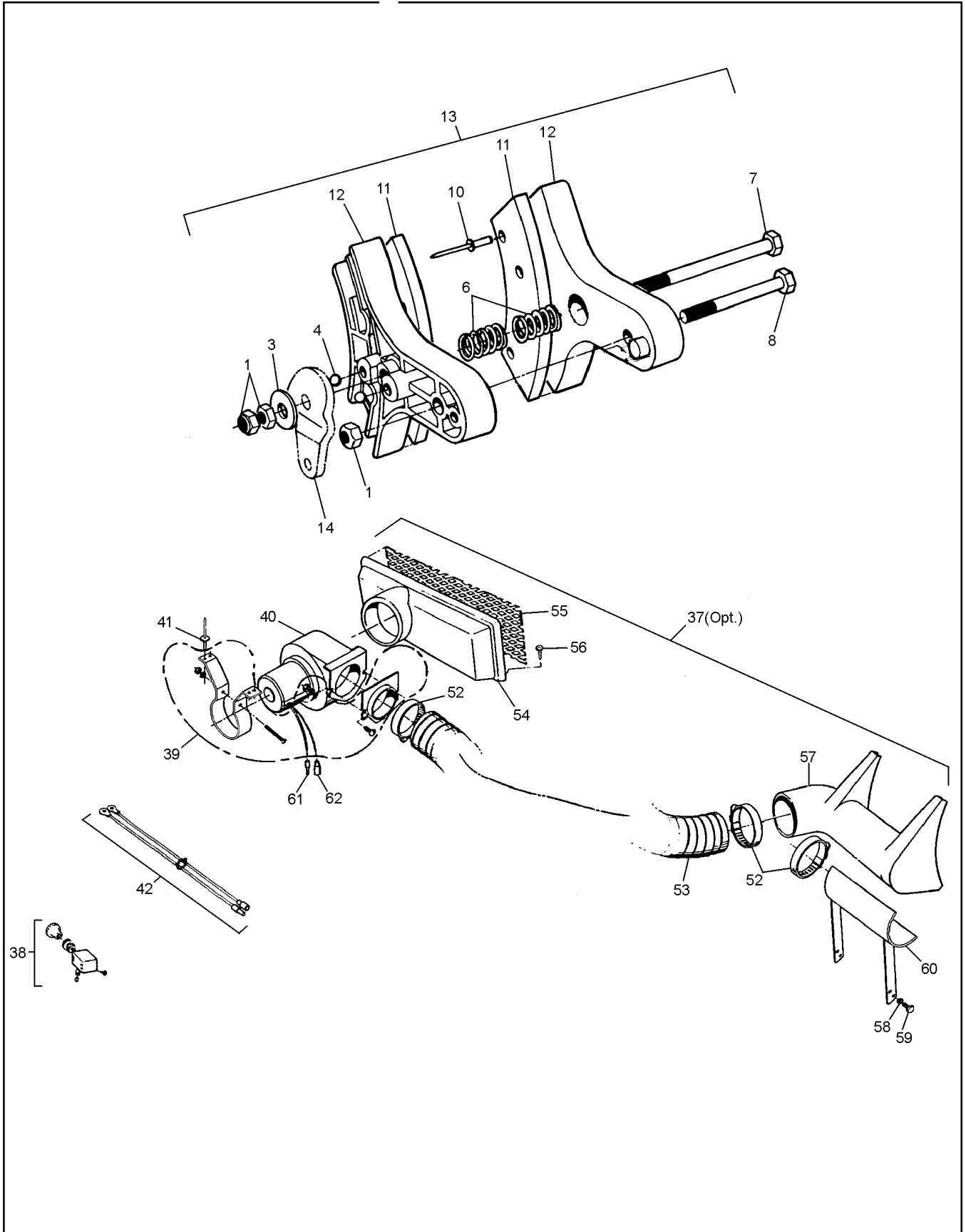


Vanguard Parts Manual

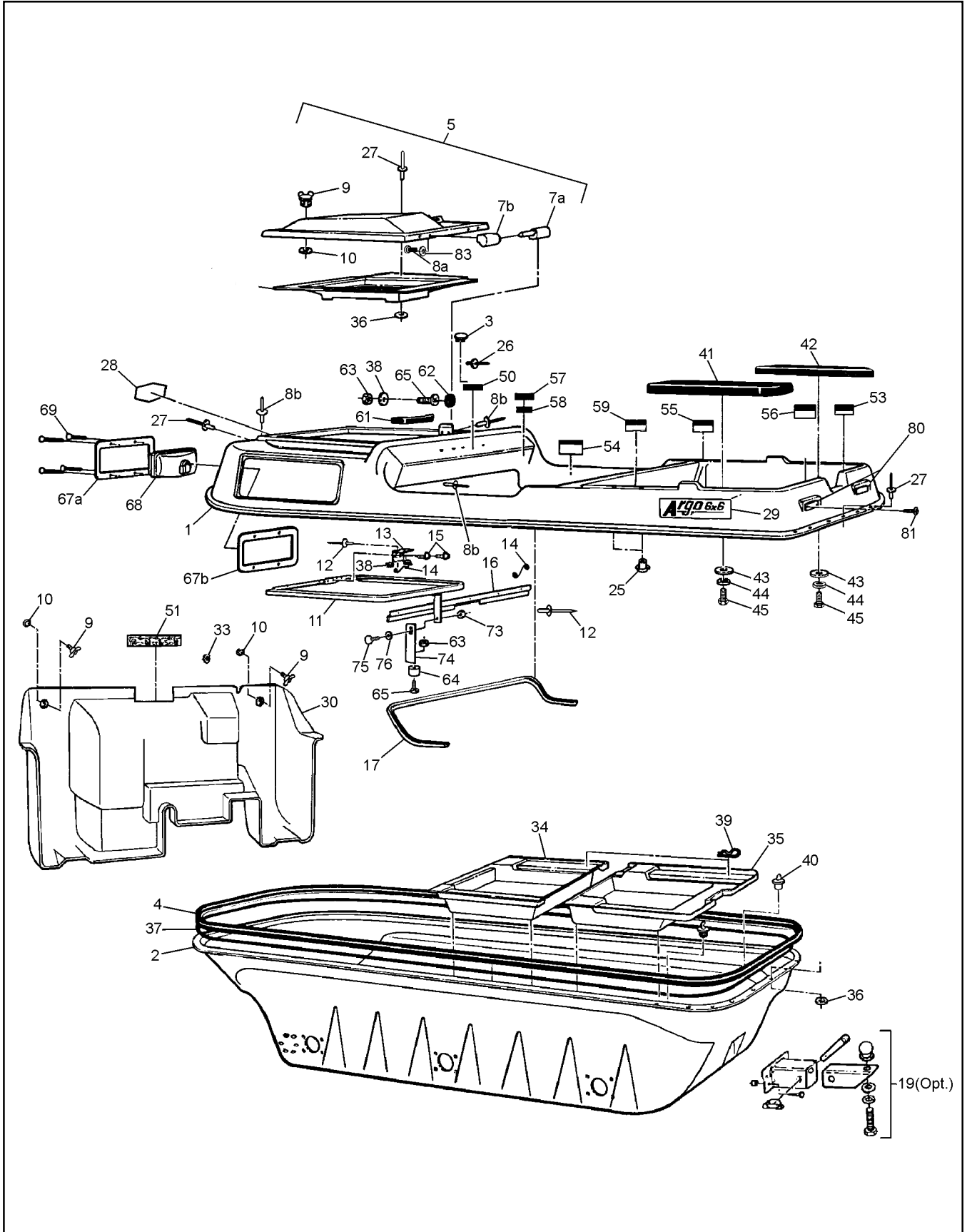
4.0 Power Pack Assembly

Ref.	Qty.	Part #	Description
1	1	126-52	Engine - Vanguard V-Twin 16 HP (incl. refs. 2-14, 17) B&S#3034471026E1
2	1	125-64	Fuel filter, G81-4
3	2	126-74	Spark Plug #3926
4	1	394018	Filter - Air (B&S#)
5	1	272490	Element, - Foam (B&S#)
6	1	110-03	Key 1/4x3/16x2.375 RC46
7	1	805523	Spring, Governor - Green
8	1	125-88	Spring, Extension
8a	1	127-49	Spring, Return
9	1	112-28	HHCS 3/8-24x4.5 GR5 Zinc
10	2	805169	Screw-Hex Head (BS #)
13	2	805170	Clamp - Casing (BS #)
14	1	601-86	Clip, Retainer
17	1	126-95	Filter, Oil
18			See Section 3.0 Clutch
19	2	811-14	Spacer
21	1	112-57	HHCS 5/8-11x10.00 Gr5 Zinc
22	3	117-09	Locknut, Nylon 5/8-11 Zinc
23	3	811-09	Washer, Square .64ID
24	2	811-15	Washer, Square lock .64ID
25	2	112-58	HHCS 5/8-11x7.50 Gr5 Zinc
26	14	108-24	Washer 5/16 SAE Zinc
27	4	112-27	HHCS 5/16-18x1.75 Gr5 Zinc
28	4	117-21	Locknut, Nylon5/16-18Zinc
30	2	127-35	Grip, Molded Rubber
31	1	127-81	Throttle Twist Grip
32			See Section 1.0 Transmission
33	as req	108-36	Washer .06x1.00x1.375 Zinc
34	1	612-98	Lever, Steering - LH
35	1	612-99	Lever, Steering - RH
38	2	117-06	Nut, Fin Hex 1/2-13 Zinc
39	2	103-53	HHCS 3/8-16x3.0 Full Thread
39a	2	108-07	Lockwasher 1/2
40	2	112-52	HHCS 1/2-13x7.0 Gr5 Zinc
43	1	611-71	Frame-Power Pack
44	1	100-64	Tie-Wrap - 5.5" - Black

Ref.	Qty.	Part #	Description
45	2	610-76	Brake Disc-#40-2x15T
46	4	110-14	Key 1/4x1/4x1.25
47			See Section 5.0 Brake System
48	2	127-48	Spring, Comp. .54x1.90
49	2	612-41	Brake Cam
50	2	100-03	Pin, Cotter 3/32x.750 Zinc
52	2	612-21	Brake Adjusting Rod
53	2	612-20	Steering Rod Clamp
54	2	103-46	HHCS 5/16-24x1.0 Gr5 Zinc
55	4	117-04	Locknut, Nylon 5/16-24 Zinc
56	1	612-81	Steering Shaft Asm.
57	2	111-04	Pin, Spirol 5/16x1.50
58	1	107-01	Retaining Ring
60			See Section 3.0 Clutch System
61	1	612-101	Cable Asm, Throttle
62	1	612-92	Cable Asm, Choke (incl. 63)
63	2		Jam Nut, 5/16-24 (Part of 62)
65	1	126-75	Knob, Choke - Black
66	2	103-18	HHCS 3/8-24x1.25 Gr5 Zinc
67	4	108-06	Lockwasher 3/8
68	3	108-18	Washer 13/32x1.375x11GA
69	1	125-56	Drive Belt
70	1	103-34	HHCS 3/8-16x1.25 Gr5 Zinc
71	1	110-09	Key 1/4 x 1/4 x 3.0
77	2	103-17	HHCS 3/8-16x1.0 Gr5 Zinc
78	2	108-26	Washer 3/8 Zinc
79	1	603-29	Guard, Belt Protect
80	1	601-92	Vinyl Trim - 1.5"
81	1	601-93	Vinyl Trim - 4.25"
83	1	126-87	Spring, Parking Brake
84	1	612-80	Holding Brake Lever
85	1	612-100	Bracket Asm., Mech. Brake
87	2	127-33	Spring, Extension - Strg Lever



Ref.	Qty.	Part #	Description
1	3x2	117-46	Locknut, 2-way 5/16-24 Zn
3	1x2	108-12	Washer, .34x1.00x.06 Zinc
4	2x2	109-02	Ball, Steel 1/4 Chromesteel
6	2x2	100-10	Spring, Compression
7	1x2	103-16	HHCS 5/16-24x3.75 Gr8Zn
8	1x2	103-29	HHCS 5/16-24x2.75 Gr8Zn
10	8x2	120-11	Rivet - 5/32x9/16
11	1x2	100-56	Brake Pad, Set of 2
12	2x2	100-54A	Caliper, Brake
13	1x2	100-72A	Brake Assembly (incl. Refs. 1 to 12)
14			See Section 4.0 Power Pack Assembly
37	1	668-03	Brake Cooling Kit-Van2 (incl. Refs. 38 to 62)
38	1	100-62	Switch, Light
39		125-92	Adpt. & Mounting Kit (incl. Refs. 43 to 50)
40	1	125-91	Blower Fan
41	4	120-13	Rivet - 3/16x5/8
42	1	613-05	Wire Harness
43	1		Mounting Bracket
44	1		Nut, #10-32
45	1	See	Lockwasher, 3/16"
46	1	125-92	Screw, #10-32 x 2"
47	2	above	Nut, 1/4-20
48	2		Lockwasher, 1/4"
49	2		Screw, 1/4-20 x 5/8"
50	1		Adaptor, 3" dia.
52	3	125-35	Clamp, Gear 3.50" HF-52
53	1	127-44	Hose, Intake 3" dia. x 46"
54	1	601-89	Intake Flange (specify clr)
55	1	126-61	Intake Screen
56	4	112-56	Pan HD Phil T/S #10x3/4 A Zinc
57	1	127-39	Brake Cooling Duct
58	4	108-03	Lockwasher 1/4
59	4	112-19	Screw, IHWH T/C Slot 1/4- 20x1/2
60	1	668-11	Mounting Bracket - Duct
61	1	118-02	Terminal, Male - #76-1251
62	1	118-03	Terminal, Female - #76-1289

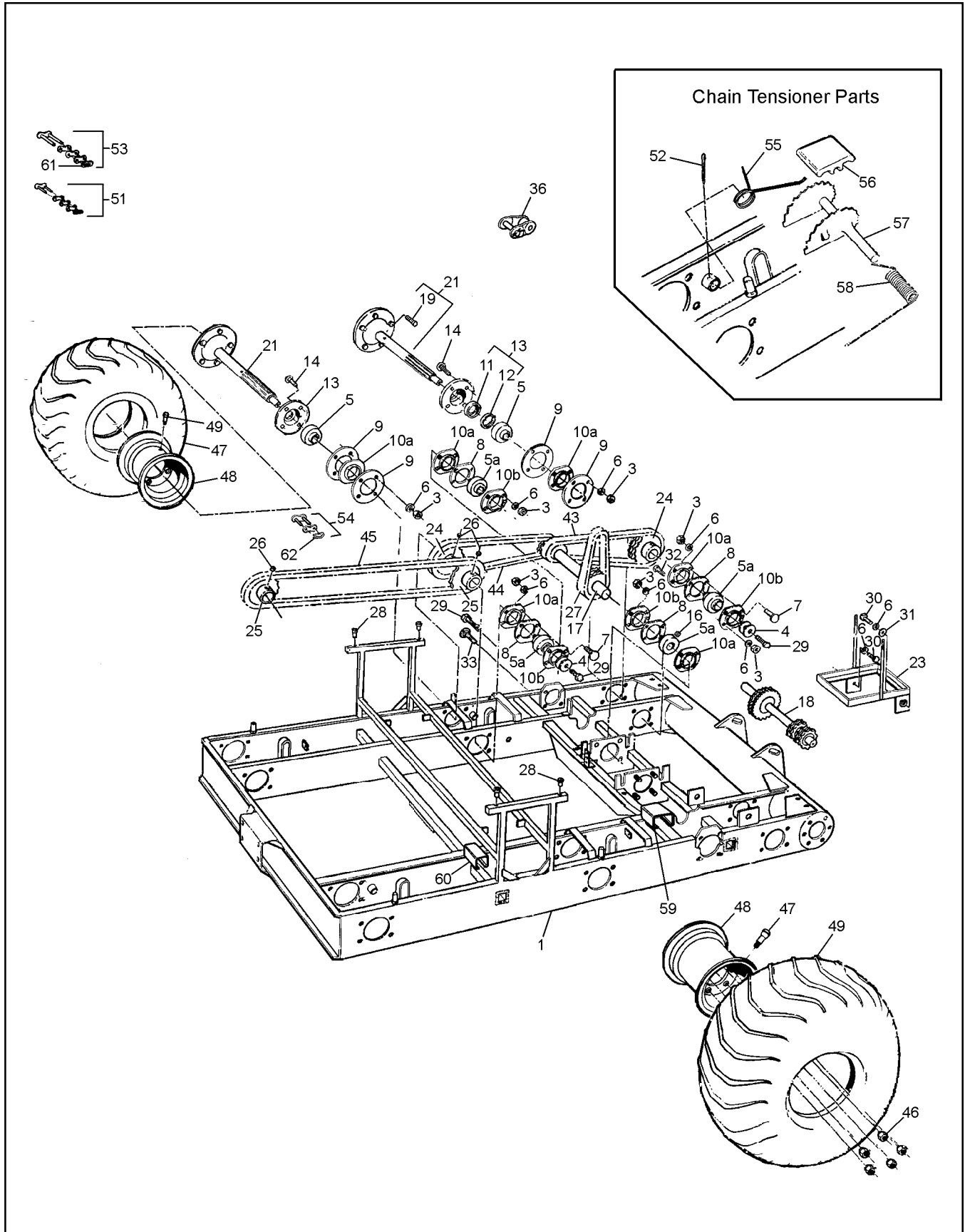


Vanguard Parts Manual

6.0 Vehicle Body & Firewall

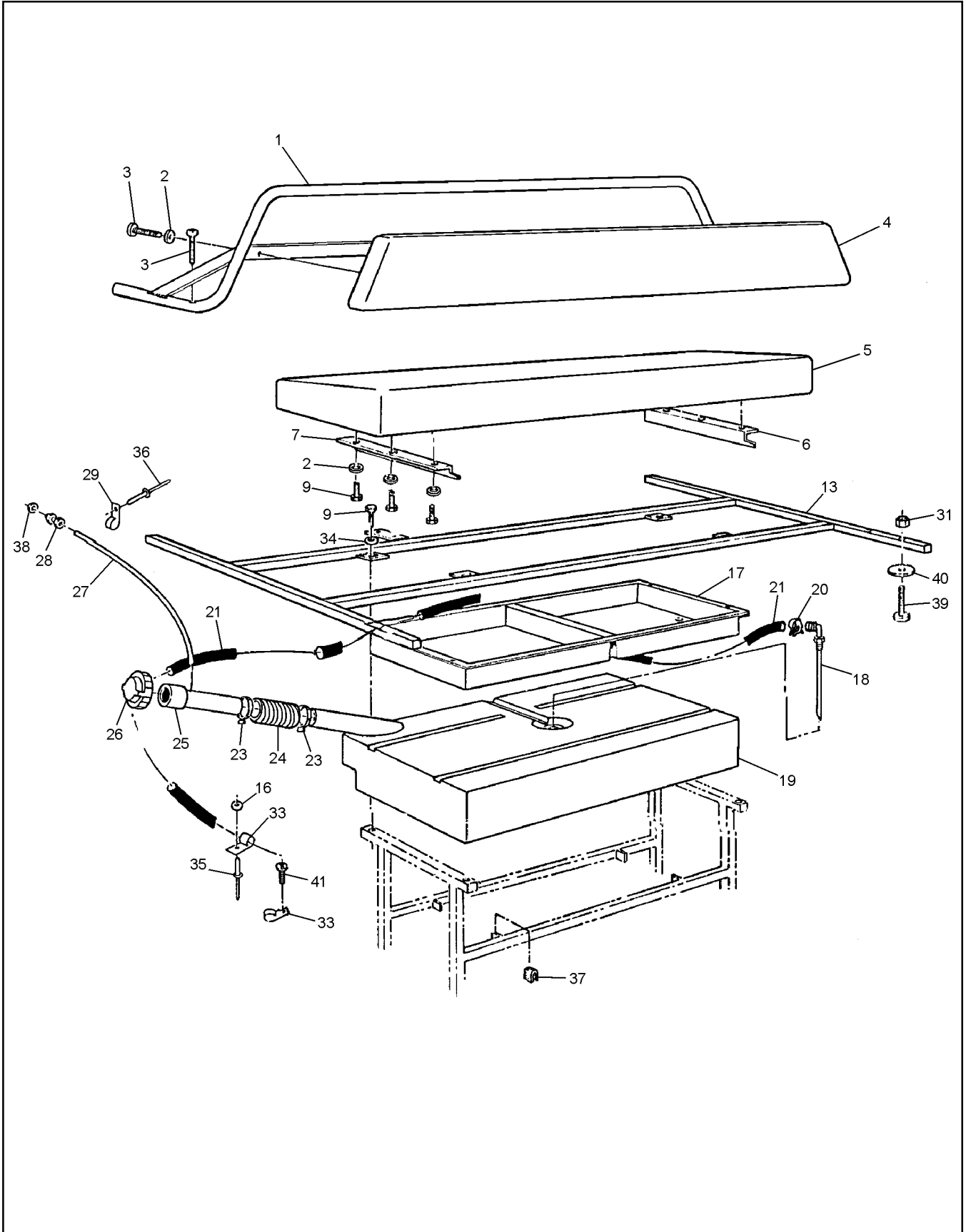
Ref.	Qty.	Part #	Description
1	1	601-32	Body + Hood, Upper -Van. Replacement, specify colour (incl. Ref 5,11,12,13,14,15 & 38)
2	1	603-92BL	Body, Lower - 6x6, Black
3	1	127-28	Plug, Nylon - Black
4	1	601-05	Bumper, Vinyl - 6x6
5	1	602-37	Hood Kit, Vanguard specify colour (incl. Ref 6 to 10 & 36c)
6	1	801-47	Duct, Intake Transition, specify colour
7a	2	127-45A	Pin, Hinge
7b	2	127-45B	Knuckle, Hinge
8a	8	103-47	HHCS 10-24 x 1/2
8b	12	120-13	Rivet - 3/16 x 5/8
9	3	126-10	Wing Stud
10	3	126-09	Grommet, Alum, #GH-7
11	1	602-24	Hood Support Assembly
12	6	120-15	Rivet - 1/8 x 7/16
13	1	601-69	Spring Plate
14	3	126-11	Spring
15	2	112-19	Screw, IHWH T/C Slot 1/4-20 x 1/2
16	1	602-29	Brace, Dash
17	1	601-08	Vinyl Trim, 84"
19	1	626-10	Hitch Kit (Opt.)
25	4	117-44	T-Nut 1/4-20
26	42	120-24	Rivet - Alum,3/32x3/8-all plates
27	76	120-09	Rivet - 3/16 x 1
28	1	601-44	Nameplate, "ARGO"
29	2	127-41	Nameplate, 6x6 Vanguard2
30	1	609-37	Firewall - Vanguard
34	1	603-02	Floor Pan, Front, specify colour
35	1	603-03	Floor Pan, Rear 6x6, specify colour
36	51	120-04	Washer, .19x.50x.08 Zinc
37	1	126-60	Vinyl Strip 1/2"x1/4"x37.5'

Ref.	Qty.	Part #	Description
38	4	120-05	Washer,.19x.50x.04 Zinc
39	4	100-16	Clip, Hitch Pin 1.625 Zinc
40	2	100-18	Plug, Drain 5/8" x 13/32"
41	1	601-03	Seat, Rear LH - 6x6
42	1	601-02	Seat, Rear RH - 6x6
43	2	603-15	Washer, Plastic
44	2	108-01	Washer, Fender 1/4 SAE Zinc
45	2	103-08	HHCS 1/4-20 x 1.00 Zinc
50	1	127-97	Plate, Caution - Keyswitch
51	1	126-65	Shifting Plate
53	1	126-67	Floor Pan Plate
54	1	126-68	Operation Plate
55	1	126-69	Fuel Plate
56	1	127-76	Plate,Capacity - Land/Water
57	1		Vehicle ID Plate
58	1		U.S. Plate, Non U.S. Argos only
59	1	127-51	Plate, Capacity - 6x6
61	1	125-41	Dash Handle (incl. 62)
62	2		Plug cap (avail. only with 61)
63	3	117-10	Locknut, Nylon #10-24 Zinc
64	1	126-88	Bumper, Rubber
65	3	103-25	PHMS #10-24 x 3/4" Zinc
66	1	602-38	Clip, Hood
67a	2	613-75	Bezel, Headlamp
67b	2	613-76	Bracket, Headlight Backing
68			See Section 9.0 Electrical System
69	8	103-24BL	OHPS T/S #6 x 1.00 Black
73	1	117-15	Nut, Fin. Hex 3/8-16 Zinc
74	1	602-27	Support, Adjustable
75	1	103-89	C/Bolt 3/8-16 x .75 Gr2 Zinc
76	1	108-06	Lockwasher 3/8
80	2	127-01	Reflector, Red
81	4	103-48	T/S Pan HD Phil #10x5/8 A Zinc
83	8	108-59	Lockwasher, #10 Int. tooth ZN



Ref.	Qty.	Part #	Description
1	1	606-60	Frame Asm - 6x6
3	64	117-29	Locknut, Nylon 3/8-16 Zinc
4	12	108-46	Washer .40x1.37x.12 Hi-Carbon
5	6	101-35	Bearing, Ball - 1.25
5a	10	101-41	Bearing, Ball - 1.0
6	66	108-15	Washer .42x.81x.05
7	22	103-88	C/Bolt 3/8-16x1.0 GR5 Zinc
8	10	605-99	Gasket, Flange - Inner
9	12	605-89	Gasket, Outer Bearing Flange
10a	16	605-63	Flange - 4-hole
10b	10	101-20	Flange Greasable - 4 Hole
11	6	102-14	Seal, Oil 1.25x1.75x0.188
12	6	102-15	Seal, Oil 1.25x1.874x0.25
13	6	605-97	Flange Assem, Outer (incl. Refs. 11 & 12)
14	24	112-39	C/Bolt 3/8-16x1.75 GR5 Zinc
16	4	112-60	SHSS 1/4x28x1/2 Cup Pt.
17	1	606-30	Idler Asm. - L4x11T 2x24T
18	1	606-31	Idler Asm. - R4x11T 2x24T
19	5x6	103-80	Stud, Wheel 7/16-20 x 1.125 #B271
21	6	810-75	Axle Assembly (incl. Ref. 19)
23	1	604-84	Frame Assembly, Battery
24	4	810-28	Sprocket, Double - 24T
25	4	606-34	Sprocket - S60x19T
26	6	112-03	SHSS 5/16-18x3/8 1/2 DOG, PL
27	2	603-22	Chain, Idler RC40-2 x 46P (incl. Ref 51)
28	4	117-64	Insert, 1/4-20
29	10	112-31	HHCS 3/8-16 x 1.0 2B GR8 Zinc
30	2	112-14	HHCS 3/8-16x.75 GR5 Zinc
31	1	108-15	Washer 3/8 SAE Zinc
32	2	103-82	HHCS 3/8-16x1.5 GR5 Zinc
33	4	112-61	C/Bolt 3/8-16x1.25 GR5 Zinc
36		127-80	Link, Half - RC60 - 1 (opt.)
43	2	603-17	Chain RC50 - 2x42P - Front (incl. Ref 53)
44	2	603-26	Chain RC50 - 2x76P - Mid (incl. Ref 53)
45	2	603-83	Chain RC60 - 1x88P - Rear (incl. Ref 53)
46	5x6	117-35	Nut, Wheel 7/16-20 Zinc
47	6	125-26	Valve, Tire
48	6	125-13	Rim - 8x7 - 5 bolt - Charcoal
49	6	126-96	Tire, Goodyear Runamuk 22x10-8
51	1x2	100-97	Con. Link, RC40-2 H.D.
52	4	100-01	Pin, Cotter 1/8 x 1.50 Zinc
53	1x4	100-96	Con. Link, RC50-2 H.D.
54	1x2	603-84	Con. Link, RC60-1 STD.
55	4	127-65	Spring Torsion - 1.16x0.35
56	4	606-39	Slider Block - 1/2" Shaft
57	4	606-35	Tensioner Asm, Chain
58	4	127-64	Spring, Torsion - .76 x 1.9
59	2	606-41	Slide, Chain - 2"
60	2	606-42	Slide, Chain - 1.25"
61	6	603-95	Spring Clip - RC 50 Closed
62	4	603-96	Spring Clip - RC 60 Closed

8.0 Fuel System & Seat Assembly Vanguard Parts Manual

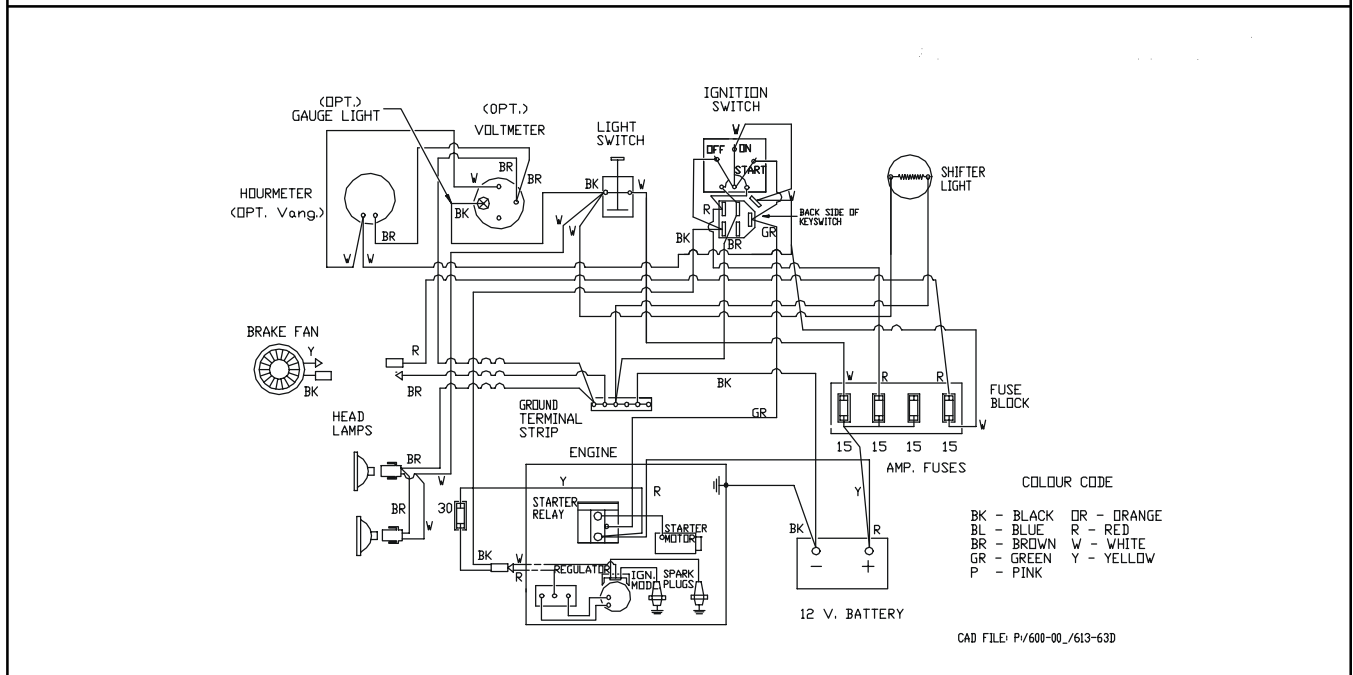
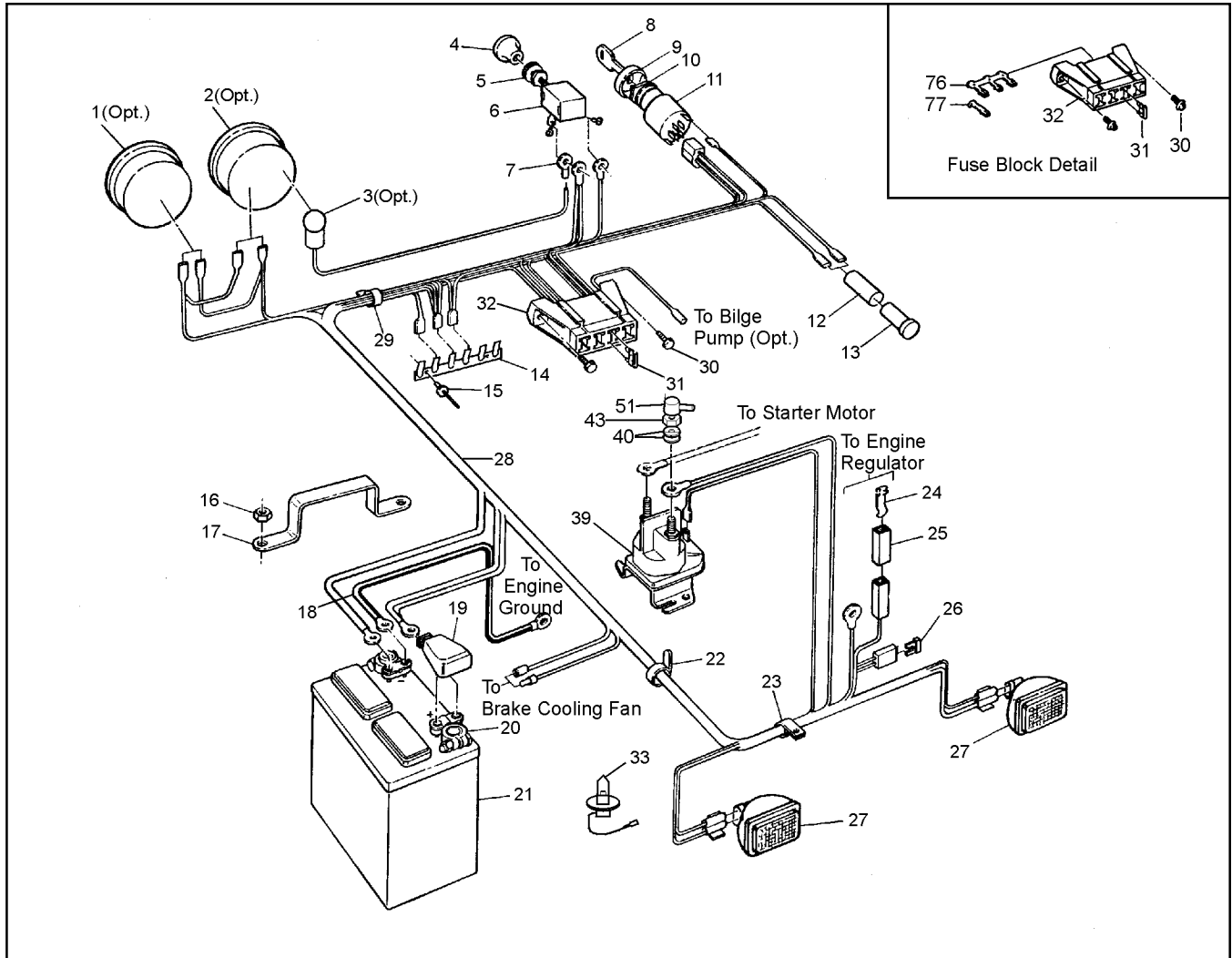


Vanguard Parts Manual 8.0 Fuel System & Seat Assembly

Ref.	Qty.	Part #	Description
1	1	803-50	Handrail Assembly
2	10	108-03	Lockwasher 1/4
3	6	112-41	PHMS, QUADREX 1/4-20x1.25 Zinc
4	1	608-39	Back Pad Assembly
5	1	608-43	Seat, Bench
6	1	608-30	Angle - Left
7	1	608-31	Angle - Right
9	10	112-04	HHCS 1/4-20x3/4 Gr2 Zinc
13	1	804-17	Frame Assembly, Seat
16	3	120-04	Washer, .195x.50x.08 Zinc
17	1	608-32	Tool Box
18	1	608-28	Pickup Assembly, Fuel (see Ref. 19)
19	1	608-24	Tank, Fuel 32 litre (incl. Ref. 18)
20	2	112-79	Clamp, Hose, 1/2" - Black
21	1	608-42	Fuel Hose, 110"
23	2	100-12	Clamp, Gear 2.25" HF36
24	1	125-94	Hose, Filler
25	1	126-47	Fuel Neck Assembly
26	1	126-46	Cap, Fuel
27	1	126-77	Hose, Vent 93" 6x6
28	1	126-50	Male Connector, 1/4"
29	4	126-94	Clamp, Nylon Wire, 1/4" ID
31	12	117-10	Locknut, Nylon #10-24 Zinc
33	4	126-93	Clamp, Nylon Wire, 1/2" ID
34	4	108-08	Washer 1/4 SAE Zinc
35	3	120-09	Rivet - 3/16 x 1
36	6	120-13	Rivet - 3/16 x 5/8
37	4	702-06	Foam Cushion
38	1	117-54	Locking PAL Nut, 1/2-20 Zinc
39	12	112-07	RHMS, 10-24 x 1.25 Zinc
40	12	108-42	Washer, .062 x 7/32 x 1.00 Zinc
41	1	103-48	T/S Pan HD Phil #10-5/8 A Zinc

9.0 Electrical System

Vanguard Parts Manual



Ref.	Qty.	Part #	Description
1	1	632-15	Hourmeter #56458-10 (#876EM)(opt.)
2	1	633-10	Voltmeter #07583-15 (#830EM)(opt.)
3	2	634-10	Light Kit, #06215-00 5/8" dia, see Ref. 32 & 33 (opt.)
4	1	126-76	Knob, Light
5	1	108-55	Lockwasher 7/16 Ext. Tooth
6	1	100-62	Switch, Light
7	1	118-30	Terminal, Eye - #10
8	2	127-108	Key,molded
9	1	127-107	Cover, nut
10	1	127-106	Nut, flanged - plastic
11	1	127-105	Switch - Egnition
12	1	118-48	Heat Shrink
13	1	634-08	Light, Indicator
14	1	613-37	Terminal Strip, Ground
15	2	120-15	Rivet 1/8 x 7/16
16	2	117-21	Locknut, Nylon 5/16-18 Zinc
17	1	604-52	Bracket, Battery Retaining
18	1	613-14	Ground Wire
19	1	127-55	Cap, Battery Terminal - Red
20	2	127-56	Terminal, Battery Post
21	1	127-54	Battery
22	8	100-64	Tie Wrap - 5.5" - Black
23	10	126-93	Clamp, Nylon Wire - 1/2" ID
24	1	118-56	Contact
25	1	118-57	Connector Housing
26	1	118-51	Fuse, 30A 2-prong (AT030)
27	2	613-69	Headlamp, Halogen (incl. Ref. 33)
28	1	613-72	Wire Harness
29	1	127-24	Clamp, Nylon - 1" ID
30	2	112-51	Screw, IHWH T/C #10-24x5/8
31	4	118-49	Fuse, 15 A 2-prong (AT015)
32	1	118-60	Block Fuse - 8 position (4 fuse)
33	2	127-46	Bulb, Headlight - Halogen
39	1	613-68	Starter Relay
40	5	108-03	Lockwasher 1/4 Zinc
43	2	117-20	Nut, Fin. Hex 1/4-20 Zinc
51	1	613-45	Insulator, Terminal (6 ga.)
76	1	118-63	Terminal, Fuse - Triple
77	5	118-62	Terminal, Fuse - Single

ARGO Products Manufactured by:

Ontario Drive & Gear Limited

P.O. Box 280, 220 Bergey Court

New Hamburg, Ontario

Canada N0B 2G0

Phone: (519) 662-2840

Fax: (519) 662-2421

ODG *Dedicated to quality and performance*