



ARGO

FRONTIER PARTS MANUAL

From Serial # ...15228

Foreword

ODG has prepared this parts manual for the FRONTIER model to assist both qualified mechanics and vehicle owners in ordering correct, quality replacement ARGO parts. For the most current parts manual visit our website at www.argoatv.com.

Proper and regular service, and replacing old, worn or broken parts with the correct ARGO replacement parts, are both essential to prolonging the life of the ARGO. Please refer to this parts manual and/or our website www.argoatv.com before ordering any replacement part.

All information contained in this FRONTIER Parts Manual is based on the latest product specification available at time of printing. If your FRONTIER differs from the specifications contained in this manual, check our website www.argoatv.com for the most current information.

ODG reserves the right to alter specifications on the FRONTIER model at any time, without obligation or prior notification.

Reproduction of this FRONTIER Parts Manual, in whole or in part, is prohibited without prior written permission from Ontario Drive & Gear Limited.

Vehicle Identification

FRONTIER - Serial Nos. ...15228

Explanation of Parts Manual Format

- Ref** - Reference number between assembly diagram and component parts list
- Part No.** - Argo replacement part number for identification and re-ordering
- Description** - Part description for identification and re-ordering
- Qty** - Indicates the quantity of a part used in an assembly

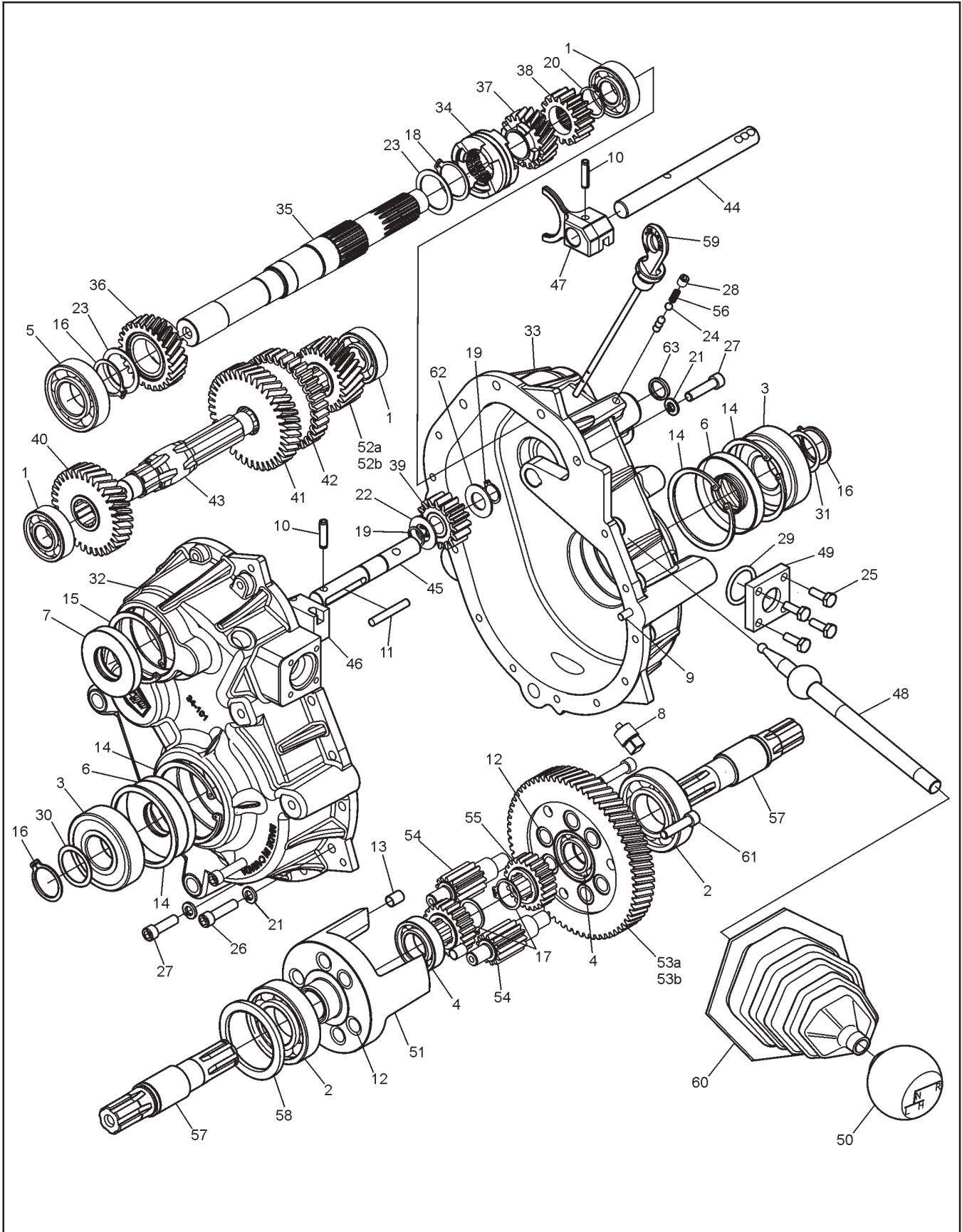


Using the Parts Manual

1. Find the major vehicle assembly in the Table of Contents on this page, and turn to that section.
2. Locate the part in the illustration that you wish to order.
3. Refer to the parts list in that section.
4. Find the correct part number (Part No.), part description (Description) and correct quantity (Qty).
5. Use *only* this information to order ARGO replacement parts. *DO NOT* attempt to order a replacement part by reference number or page number.

Table of Contents

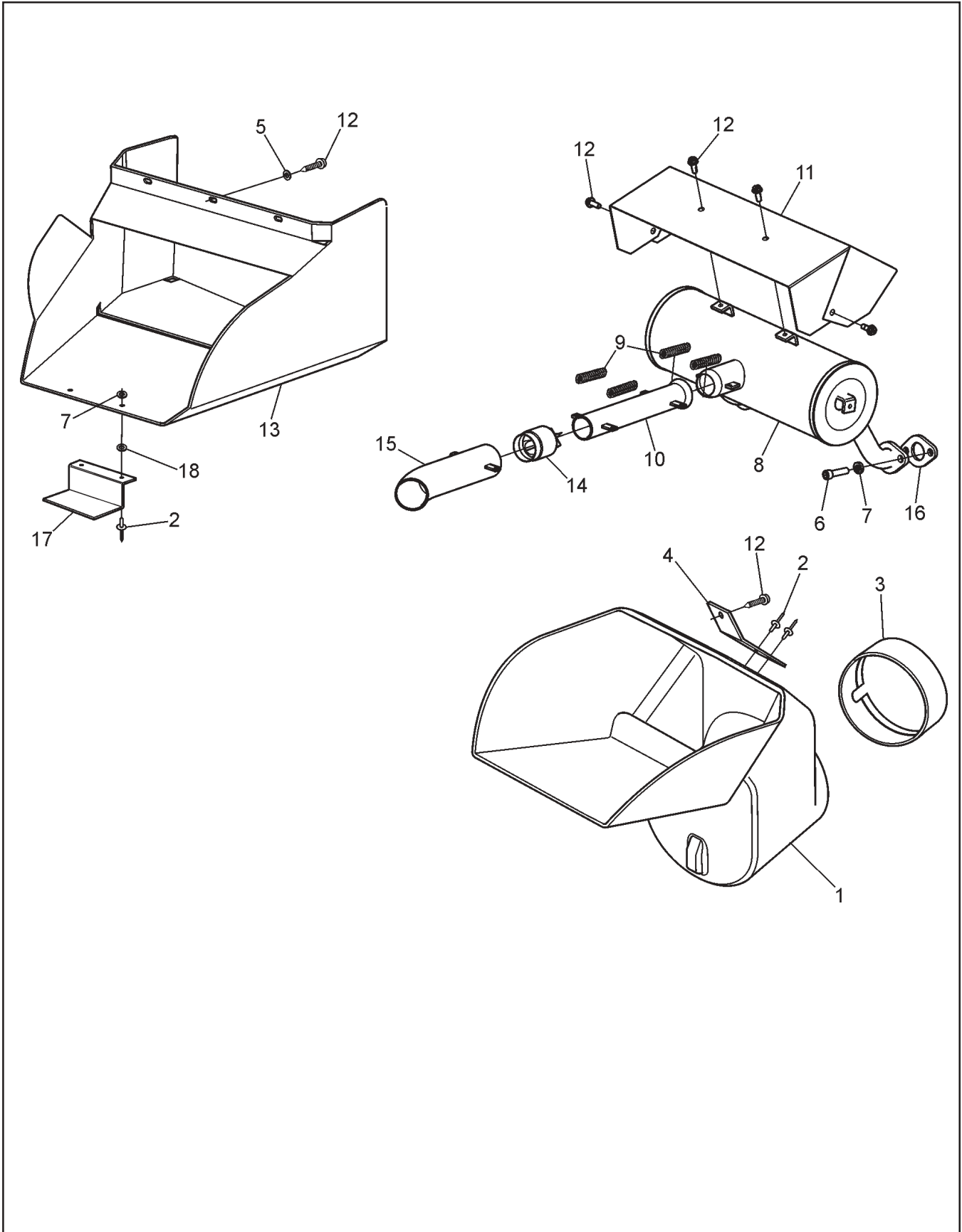
| | |
|---------------------------------------|----|
| Foreword | i |
| Vehicle Identification | i |
| Using the Parts Manual | ii |
| 1.0 Transmission | 1 |
| 2.0 Intake and Exhaust System | 3 |
| 3.0 Clutch System | 5 |
| 4.0 Power Pack Assembly | 7 |
| 5.0 Steering & Brake System | 9 |
| 6.0 CE Kit - 850-70 (Opt.) | 11 |
| 7.0 Vehicle Body & Firewall | 13 |
| 8.0 Frame & Drive System | 15 |
| 9.0 Fuel System & Seat Assembly | 17 |
| 10.0 Electrical System | 19 |



Frontier Parts Manual

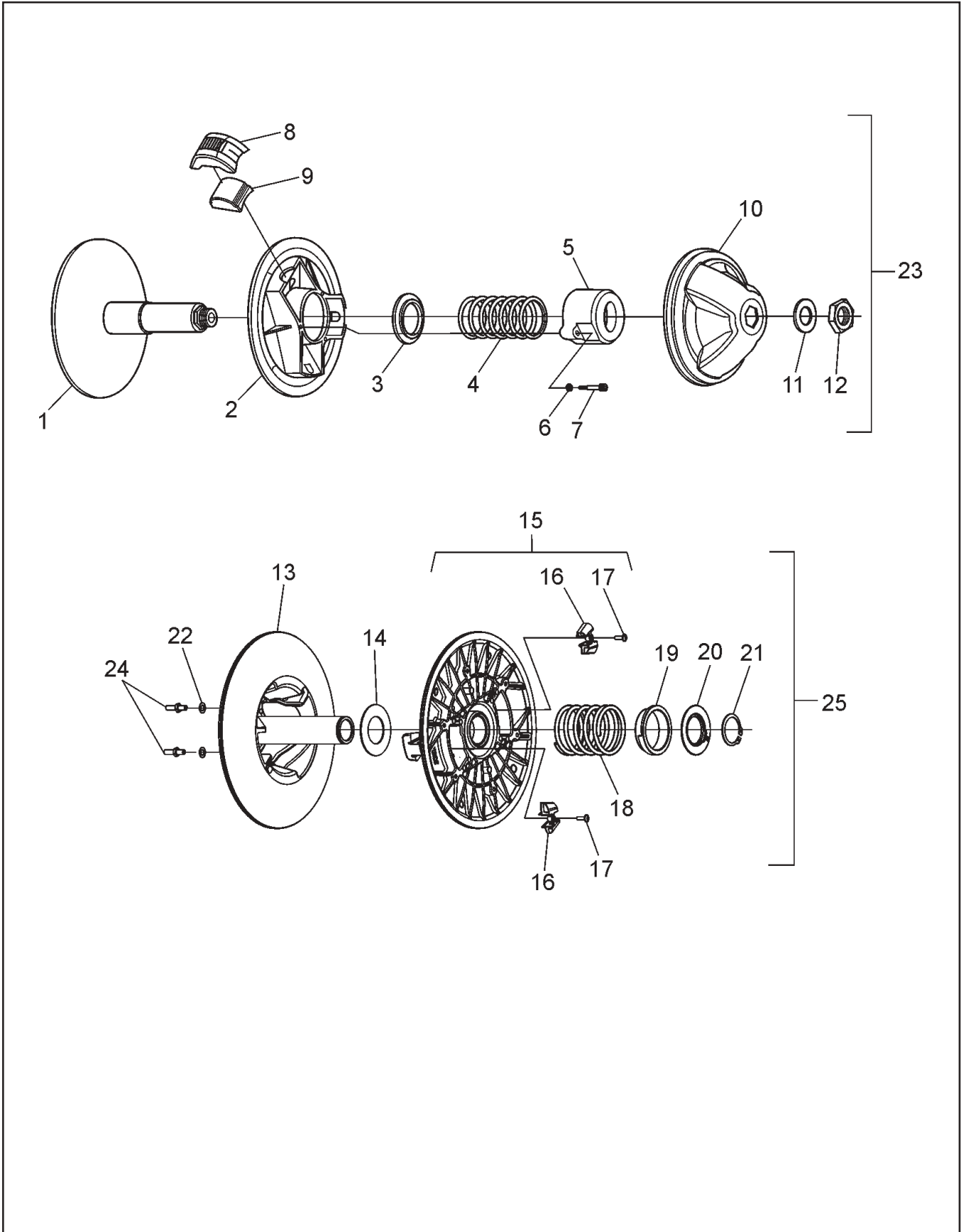
1.0 Transmission

| Ref. | Qty. | Part # | Description | Ref. | Qty. | Part # | Description |
|------|------|------------|--------------------------------|------|------|--------|--|
| | 1 | 34-100 | Transmission Assembly | 40 | 1 | 34-109 | Gear, Helical - HI 12DP 33T |
| | 1 | 34-100-3.3 | Transmission Assembly | 41 | 1 | 34-110 | Gear, Helical - LOW 12DP 39T |
| 1 | 3 | 101-01 | Bearing, Ball 6204Z-C3 | 42 | 1 | 34-111 | Gear, Reverse - 10DP 33T |
| 2 | 2 | 101-03 | Bearing, Ball 6207-C3 | 43 | 1 | 34-112 | Shaft, Spline |
| 3 | 2 | 101-05 | Bearing, Ball 6306LLU-C3/2A | 44 | 1 | 34-113 | Shaft, Shift - Forward |
| 4 | 2 | 101-15 | Bearing, Ball 6005-C3 | 45 | 1 | 34-114 | Shaft, Shift - Reverse |
| 5 | 1 | 101-16 | Bearing, Ball 6206-C3 | 46 | 1 | 34-115 | Block, Shift |
| 6 | 2 | 102-03 | Seal,Oil WBS 30x72x10 NB D/LIP | 47 | 1 | 34-116 | Fork, Shift |
| 7 | 1 | 102-05 | Seal,Oil WBS 30x62x10 NB D/LIP | 48 | 1 | 34-117 | Lever, Shift |
| 8 | 1 | 103-02 | Plug, Magnetic 3/8-18NPT SQ.HD | 49 | 1 | 34-118 | Plate, Shifter |
| 9 | 2 | 104-03 | Pin, Dowel 1/4x7/8 | 50 | 1 | 34-121 | Knob, Shift - w/Argo Logo |
| 10 | 2 | 104-39 | Pin, Spring - 1/4 x 1.0 | 51 | 1 | 34-122 | Cage, Differential |
| 11 | 1 | 104-40 | Pin, Dowel - 1/4 x 1.75 | 52a | 1 | 34-123 | Pinion, Helical - 25T - 2.6 |
| 12 | 12 | 105-03 | Bushing, Oilite - 1/2x3/4 | 52b | 1 | 34-125 | Pinion, Helical - 21T - 3.3 |
| 13 | 3 | 105-23 | Bushing, Dowel - .312 x .5 | 53a | 1 | 34-124 | Gear Plate - 66T - 2.6 |
| 14 | 4 | 106-03 | Retaining Ring HO-281PA | 53b | 1 | 34-126 | Gear Plate - 70T - 3.3 |
| 15 | 1 | 106-05 | Retaining Ring HO-244-PA | 54 | 6 | 34-13 | Gear, Planet - 12T |
| 16 | 3 | 107-02 | Retaining Ring SH-0118-PA | 55 | 2 | 34-14 | Gear, Sun - 21T |
| 17 | 2 | 107-04 | Retaining Ring SH-0098-PA | 56 | 2 | 34-32 | Spring, Comp. 0.22x.50 |
| 18 | 1 | 107-10 | Retaining Ring SH-0125-PA | 57 | 2 | 34-98 | Shaft, Output - Splined |
| 19 | 2 | 107-11 | Retaining Ring | 58 | 1 | 114-01 | Washer, Shim 2.25 x 2.81 x .02 |
| 20 | 1 | 107-12 | Retaining Ring SH-0100-PA | 59 | 1 | CE-035 | Dipstick - with Breather - 190mm |
| 21 | 15 | 108-05 | Lockwasher 5/16 Split-Ring Zn | 60 | 1 | 609-38 | Boot, Shifter |
| 22 | 1 | 108-78 | Washer, Thrust | 61 | 3 | 112-64 | SHCS, 5/16-18 x 1.25 |
| 23 | 2 | 108-79 | Washer, Thrust | 62 | 1 | 108-81 | Washer, Retaining Thrust |
| 24 | 5 | 109-05 | Ball, Steel 6mm 62-67 Rc | 63 | 1 | 113-16 | O-Ring #AS568-014-70BN 5/8"OD x 1/2"ID x 1/16" Thk |
| 25 | 4 | 112-04 | HHCS 1/4-20x3/4 GR2 Zn | | | | |
| 26 | 13 | 112-143 | SHCS 5/16 x 1.25 Zn | | | | |
| 27 | 2 | 112-144 | SHCS 5/16 x 1.0 Zn | | | | |
| 28 | 1 | 112-145 | SHSS 5/16 - 18 x 3/8 | | | | |
| 29 | 1 | 113-11 | O-Ring #AS568-216-70BN | | | | |
| 30 | 1 | 114-04 | Washer, Shim 1.19x1.50x.04 | | | | |
| 31 | 1 | 114-05 | Washer, Shim 1.19x1.50x.02 | | | | |
| 32 | 1 | 34-101 | Housing, Transmission - L | | | | |
| 33 | 1 | 34-102 | Housing, Transmission - R | | | | |
| 34 | 1 | 34-127 | Clutch, Dog | | | | |
| 35 | 1 | 34-104 | Shaft, Input - 19/15T Spline | | | | |
| 36 | 1 | 34-128 | Pinion, Helical - HI 12DP 26T | | | | |
| 37 | 1 | 34-129 | Pinion, Helical - LO 12DP 20T | | | | |
| 38 | 1 | 34-107 | Pinion, Reverse - 10 DP 16T | | | | |
| 39 | 1 | 34-108 | Gear, Idler - Rev - 10DP 16T | | | | |



| Ref. | Qty. | Part # | Description |
|-------------|-------------|---------------|-----------------------------------|
| 1 | 1 | 809-07 | Duct, Intake - Frontier |
| 2 | 4 | 120-13 | Rivet, 3/16 x 5/8 - Black |
| 3 | 1 | 603-82 | Seal |
| 4 | 1 | 809-08 | Bracket, Intake Duct |
| 5 | 3 | 108-02 | Lockwasher 5/16 Hi-Collar Bare |
| 6 | 4 | 112-30 | SHCS M8 x 1,25 x 20mm Zn |
| 7 | 14 | 120-04 | Washer, .19 x .50 x .08 Zn |
| 8 | 1 | 807-135 | Muffler, B&S 23HP Weld Ass'y |
| 9 | 4 | 126-57 | Spring, Extension - 7/16 x 2.14 |
| 10 | 1 | 607-125 | Tube Ass'y, Muffler, Flared |
| 11 | 1 | 807-85 | Shield, Heat - Muffler |
| 12 | 8 | 112-19 | Screw, IHWH T/C Slot 1/4-20 x 1/2 |
| 13 | 1 | 607-129 | Duct, Exhaust |
| 14 | 1 | 607-126 | Spark Arrester, 1.75 Dia. |
| 15 | 1 | 607-117 | Pipe, Tail - Asm |
| 16 | 1 | 24 041 49 | Gasket, Exhaust Manifold |
| 17 | 1 | 707-45 | Support, Exhaust Duct |
| 18 | 2 | 125-58 | Washer, Fibre - W-77F |

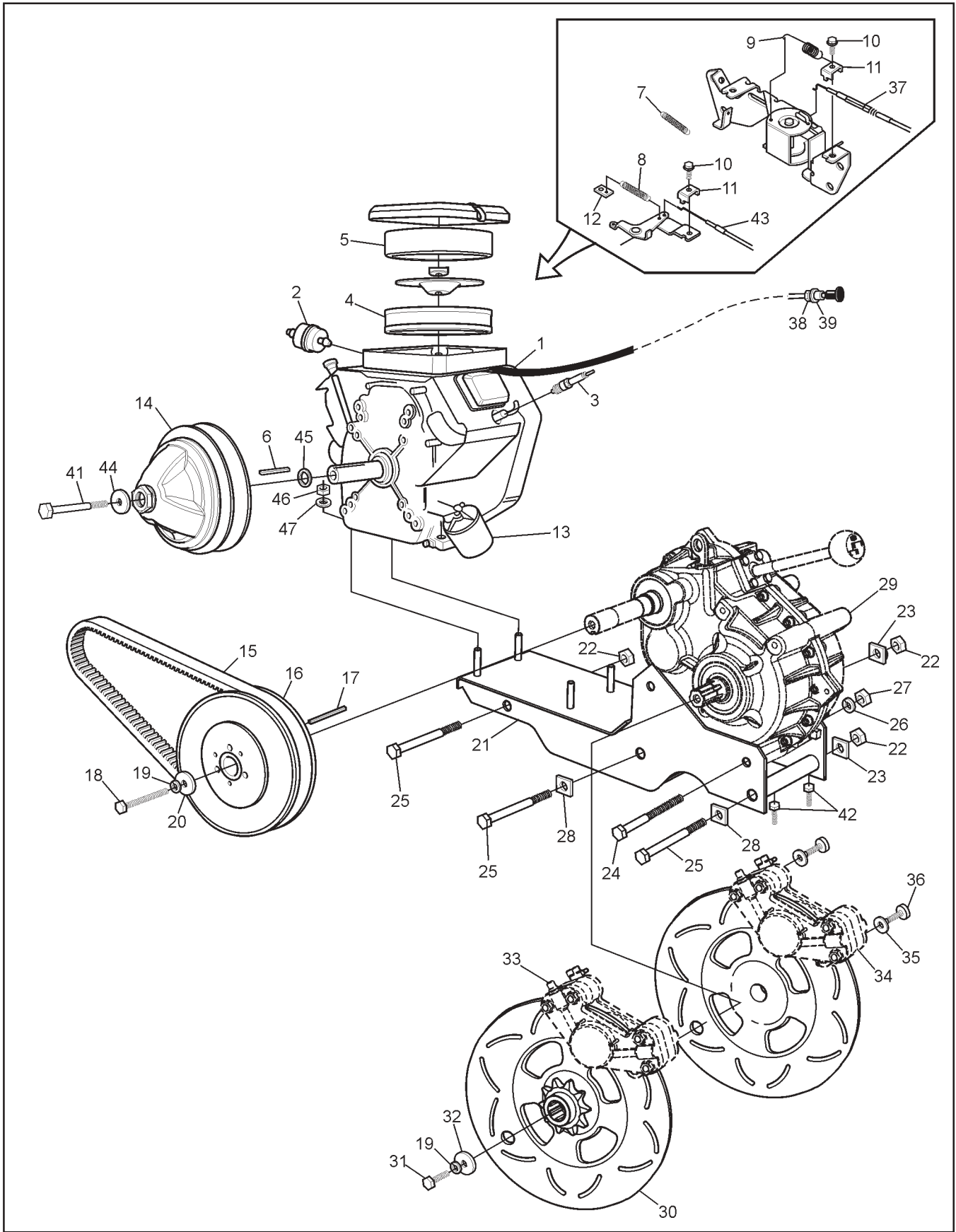
3.0 Clutch System



| Ref. | Qty. | Part # | Description |
|------|------|-----------|--------------------------|
| 1 | 1 | 0405-0075 | Flange, Fixed |
| 2 | 1 | 0410-0026 | Flange, Sliding |
| 3 | 1 | 0150-1014 | Spring Guide Washer |
| 4 | 1 | 0451-1114 | Spring |
| 5 | 1 | 0440-0005 | Spring Cover |
| 6 | 3 | 0080-0167 | Lockwasher |
| 7 | 3 | 0080-0021 | Screw, Cap |
| 8 | 3 | 0130-3009 | Block |
| 9 | 3 | 0135-3065 | Weight (275gr) |
| 10 | 1 | 0115-3047 | Cap |
| 11 | 1 | 0080-0153 | Washer, Zn |
| 12 | 1 | 0080-0100 | Nut |
| 13 | 1 | 5905-0003 | Flange, Fixed |
| 14 | 1 | 0080-0164 | Washer, Shim |
| 15 | 1 | 5910-0002 | Flange, Sliding |
| 16 | 3 | 5930-3001 | Cam Shoe |
| 17 | 2 | 0080-0031 | Screw |
| 18 | 1 | 5951-1009 | Spring |
| 19 | 1 | 5950-3003 | Spring Protector |
| 20 | 1 | 5950-3002 | Spring Support |
| 21 | 1 | 0080-0216 | Retaining Ring, Outside |
| 22 | 2 | 0080-0167 | Lockwasher |
| 23 | 1 | 127-135 | Clutch, Driver |
| 24 | 2 | 0080-0035 | Screw & Nut Ass'y |
| 25 | 1 | 127-156 | Clutch, Driven - INVANCE |

4.0 Power Pack Assembly

Frontier Parts Manual



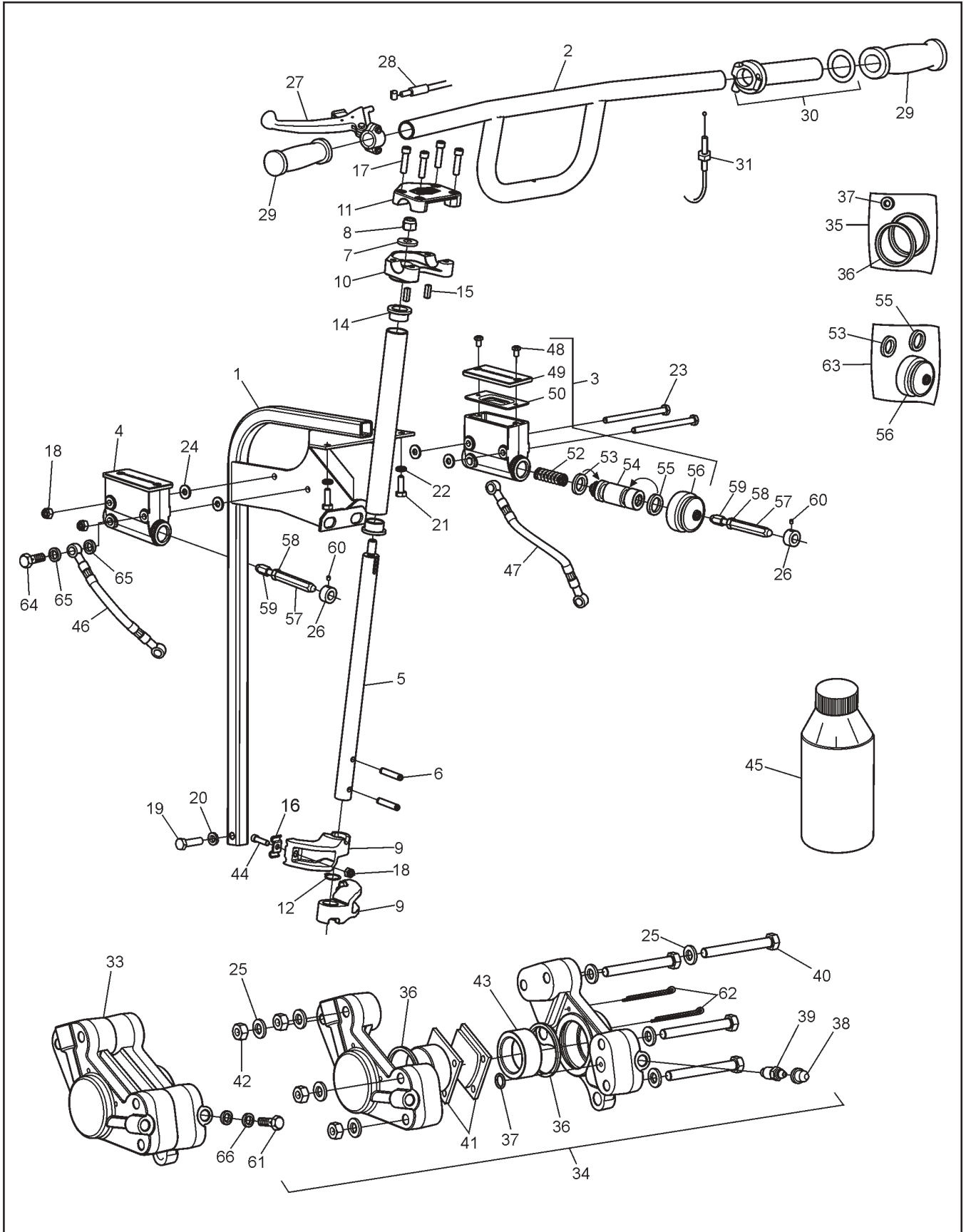
Frontier Parts Manual

4.0 Power Pack Assembly

| Ref. | Qty. | Part # | Description | Ref. | Qty. | Part # | Description |
|------|------|---------|--|------|------|---------|---------------------------------------|
| 1 | 1 | 128-20 | Engine - B&S 23HP, 20/50 amp incl. Ref. 2-13 B&S #386447-0144-E1 | 35 | 4 | 108-23 | Washer .42 x .81 x .06 Gr8 Zn |
| 2 | 1 | 125-64 | Fuel Filter, G81-4 | 36 | 4 | 103-41 | SHCS 3/8-16 x 1.25 Zn |
| 3 | 2 | 126-74 | Spark Plug #3926 | 37 | 1 | 612-101 | Cable Asm, Throttle |
| 4 | 1 | 692519 | Filter, Air | 38 | 2 | 117-68 | Nut, Jam 3/8-24 UNF Zn |
| 5 | 1 | 692520 | Element, Foam | 39 | 1 | 108-32 | Lockwasher 3/8 Int. Tooth |
| 6 | 1 | 110-18 | Key 1/4 x 1/4 x 1.75 RC45 | 41 | 1 | 112-160 | HHCS, 7/16-20 x 5" Lg |
| 7 | 1 | 805458 | Spring | 42 | 2 | 103-53 | HHCS 3/8-16 x 3.0 Full Thread |
| 8 | 1 | 125-88 | Spring, Return | 43 | 1 | 612-130 | Cable Asm, Choke |
| 9 | 1 | 127-49 | Spring, Return | 44 | 1 | 108-58 | Washer .47 x 1.37 x .12 Hi- Carbon |
| 10 | 1 | 805169 | Screw-Hex Head (Briggs #) | 45 | 1 | 108-84 | Washer, Engine, Clutch |
| 11 | 1 | 221535 | Clamp - Casing (Briggs #) | 46 | 4 | 117-21 | Locknut, Nylon 5/16-18 Zn |
| 12 | 1 | 601-86 | Clip, Retainer | 47 | 4 | 108-12 | Washer .34 x 1.00 x .06 Zn |
| 13 | 1 | 126-95 | Filter, Oil | | | | |
| 14 | | | See Section 3.0 Clutch System | | | | |
| 15 | 1 | 127-159 | Drive Belt - Frontier - 11.3" Cen. Dist | | | | |
| 16 | | | See Section 3.0 Clutch System | | | | |
| 17 | 2 | 110-03 | Key 1/4 x 3/16 x 2.375 RC46 | | | | |
| 18 | 1 | 112-164 | HHCS 3/8-16 x 3.50 Gr5 Zn | | | | |
| 19 | 3 | 108-06 | Lockwasher 3/8 Split Ring Zn | | | | |
| 20 | 1 | 108-46 | Washer .40 x 1.37 x 1.2 Hi- Carbon | | | | |
| 21 | 1 | 604-118 | Frame Ass'y - Power Pack | | | | |
| 22 | 3 | 117-83 | Locknut, Stover 5/8-11 Zn | | | | |
| 23 | 2 | 811-09 | Washer, Square - .64 ID | | | | |
| 24 | 2 | 103-20 | HHCS 1/2-13 x 6.5 Gr5 Zn | | | | |
| 25 | 3 | 112-58 | HHCS 5/8-11 x 7.5 Gr5 Zn | | | | |
| 26 | 2 | 108-07 | Lockwasher 1/2 Split Ring Zn | | | | |
| 27 | 2 | 117-06 | Nut, Fin Hex 1/2-13 Zn | | | | |
| 28 | 2 | 811-15 | Washer, Square Lock .64 ID | | | | |
| 29 | | | See Section 1.0 Transmission | | | | |
| 30 | 2 | 606-74 | Disc, Brake-Splined #60-10T | | | | |
| 31 | 2 | 103-18 | HHCS 3/8-24 x 1.25 Gr5 Zn | | | | |
| 32 | 2 | 108-18 | Washer .40 x 1.37 x .12 Zn | | | | |
| 33 | | | See Section 5.0 Steering & Brake System | | | | |
| 34 | | | See Section 5.0 Steering & Brake System | | | | |

5.0 Steering & Brake System

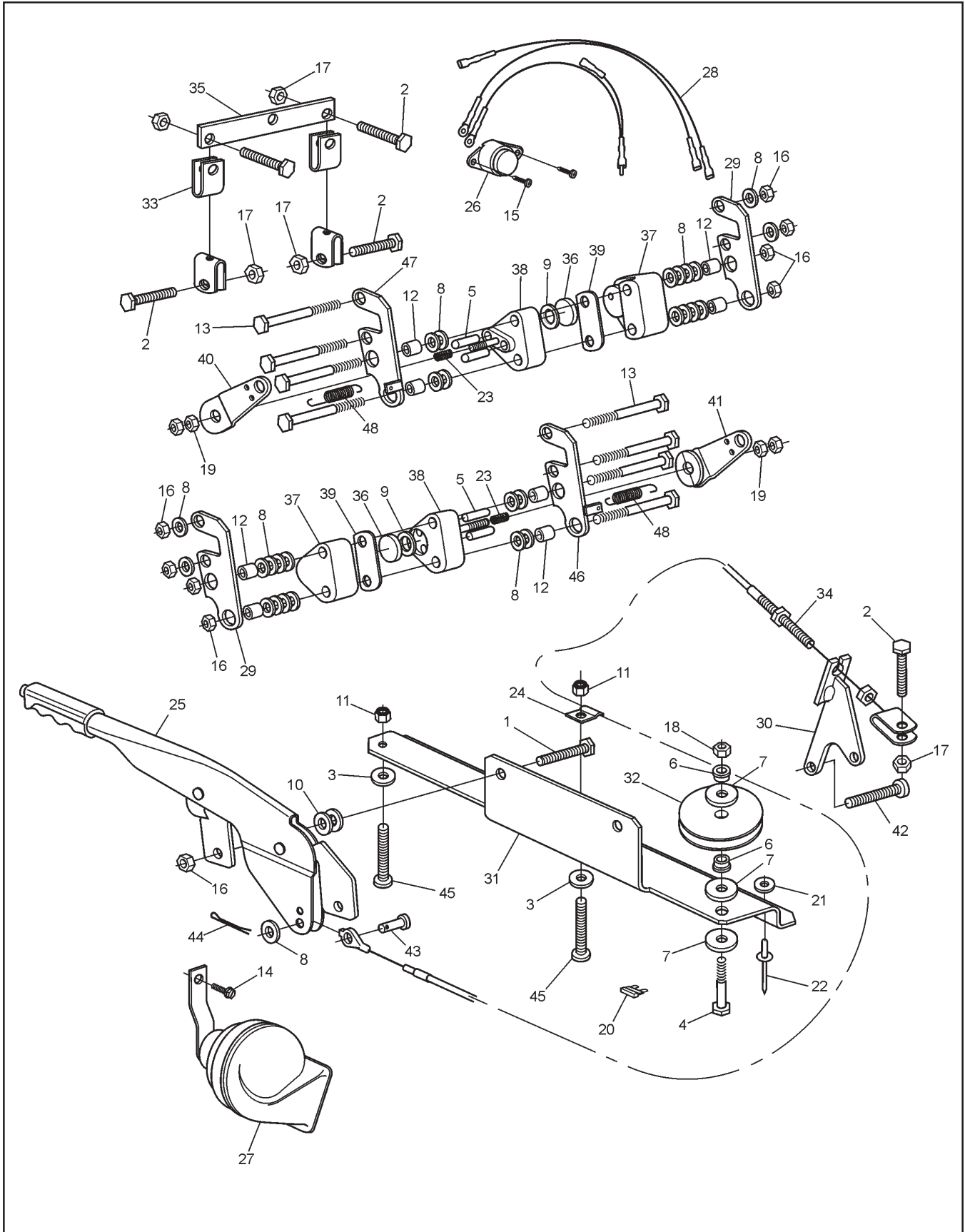
Frontier Parts Manual



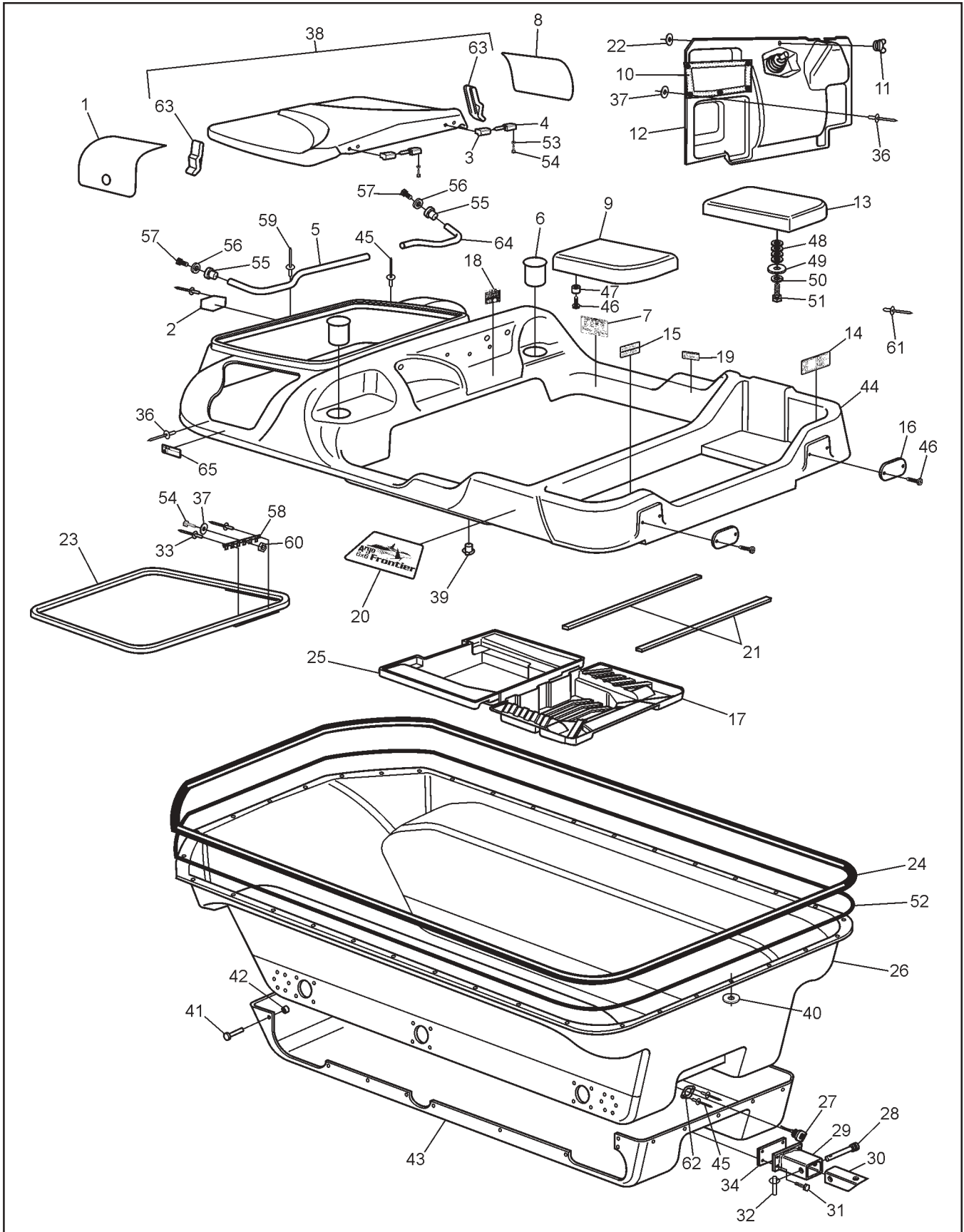
Frontier Parts Manual

5.0 Steering & Brake System

| Ref. | Qty. | Part # | Description | Ref. | Qty. | Part # | Description |
|------|------|---------|---------------------------------------|------|------|---------|---|
| 1 | 1 | 612-129 | Frame Assembly, Steering Column | 41 | 1 | 170-03 | Pad Set (4), Brake - Non-Asbestos |
| 2 | 1 | 612-107 | Handlebar Assembly | 42 | 2x4 | 117-03 | Nut, Fin Hex 5/16-18 Zn |
| 3 | 1 | 165-08 | Master Cylinder, Grimeca - R | 43 | 2x2 | 168-01 | Piston, Knott Caliper |
| 4 | 1 | 165-07 | Master Cylinder, Grimeca - L | 44 | 2 | 112-159 | BHCS, 1/4-20 x 1.0, Plated |
| 5 | 1 | 612-127 | Shaft, Steering - Argo | 45 | | 126-19 | Fluid, Brake-Silicon Dot 5 - .35L |
| 6 | 2 | 104-42 | Pin, Spring 1/4 x 1.5" | 46 | 1 | 163-03 | Hose Asm, Hydraulic - Left - Avenger |
| 7 | 1 | 108-47 | Washer, .39 x .94 x .13 Zn Di-chr | 47 | 1 | 163-04 | Hose Asm, Hydraulic - Right - Avenger |
| 8 | 1 | 117-29 | Locknut, Nylon 3/8-16 Zn | 48 | 2x2 | 103-47 | HHMS #10-24 x 1/2" Zn |
| 9 | 2 | 612-124 | Arm, Steering | 49 | 2x1 | 168-17 | Cover |
| 10 | 1 | 612-106 | Clamp, Lower Handlebar | 50 | 2x1 | 168-16 | Cover, Rubber |
| 11 | 1 | 612-105 | Clamp, Upper Handlebar | 52 | 2x1 | 162-08 | Spring, Comp. 17.3 x 49.3mm |
| 12 | 1 | 106-07 | Ring, Retaining SH-0075PA | 53 | 2x1 | | Seal, Primary, 19mm (See Ref. 63) |
| 14 | 2 | 105-16 | Bushing, Oilite - 3/4 x 1/2 | 54 | 2x1 | 168-10 | Piston 19mm dia. |
| 15 | 2 | 110-17 | Key, 3/16 x 3/16 x .625 | 55 | 2x1 | | Seal, Secondary, 19mm (See Ref. 63) |
| 16 | 2 | 128-10 | Retainer, Handbrake Cable | 56 | 2x1 | | Boot, Rubber (See Ref. 63) |
| 17 | 4 | 112-47 | SHCS, 1/4-20 x 1.0 Zn | 57 | 2 | 812-30 | Pin, Female |
| 18 | 4 | 117-27 | Locknut, Nylon 1/4-20 Zn | 58 | 2 | 117-03 | Nut, Fin Hex 1/4-20 Zn |
| 19 | 1 | 103-38 | HHCS 5/16-18 x 1.25 Gr5 Zn | 59 | 2 | 812-31 | Fin, Male |
| 20 | 1 | 108-05 | Lockwasher 5/16 Split-Ring Zn | 60 | 2 | 112-02 | SHSS 10-24x1/4 Knurl Cup PT, PL |
| 21 | 2 | 112-04 | HHCS 1/4-20 x 3/4 Gr2 Zn | 61 | 2 | 160-45 | Bolt, Banjo |
| 22 | 2 | 108-03 | Lockwasher 1/4 Split Ring Zn | 62 | 2x2 | 168-07 | Pin, Cotter 1/8 x 3.00 Zn |
| 23 | 2 | 103-66 | HHCS, 1/4-20 x 4.0 Gr5 Zn | 63 | 2x1 | 161-25 | O-Ring Kit - Master Cylinder - Grimeca (incl. Ref. 53, 55 & 56) |
| 24 | 4 | 108-08 | Washer, .28 x .62 x .04 Zn | 64 | 2 | 160-44 | Bolt, Banjo - M10 x 1,0 x 21,0 |
| 25 | 2x8 | 108-24 | Washer, .34 x .70 x .06 Zn | 65 | 4 | 160-01 | Washer, Copper - 1,5 x 10,0 x 14,0 |
| 26 | 2 | 812-17 | Collar | 66 | 4 | 160-04 | Washer, Copper 2.3 x 10.0 x 16.0 |
| 27 | 1 | 128-17 | Lever Assembly, Handbrake, Spring | | | | |
| 28 | 1 | 128-09 | Cable Assembly, Handbrake | | | | |
| 29 | 2 | 127-35 | Grip, Molded | | | | |
| 30 | 1 | 127-81 | Throttle Twist Grip | | | | |
| 31 | 1 | 612-101 | Cable Asm., Throttle | | | | |
| 33 | 1 | 166-10 | Caliper, Hydraulic Brake - L w/o pads | | | | |
| 34 | 1 | 166-11 | Caliper, Hydraulic Brake - R w/o pads | | | | |
| 35 | 2 | 161-05 | O-ring Kit, Knott Caliper | | | | |
| 36 | 2 | | Seal, Piston | | | | |
| 37 | 2 | | Seal, Rubber | | | | |
| 38 | 2x1 | 168-20 | Plug, Rubber | | | | |
| 39 | 2x1 | 168-02 | Screw, Bleeding, Knott Caliper | | | | |
| 40 | 2x4 | 112-154 | SHCS, 5/16-18 x 2.75 Zn | | | | |



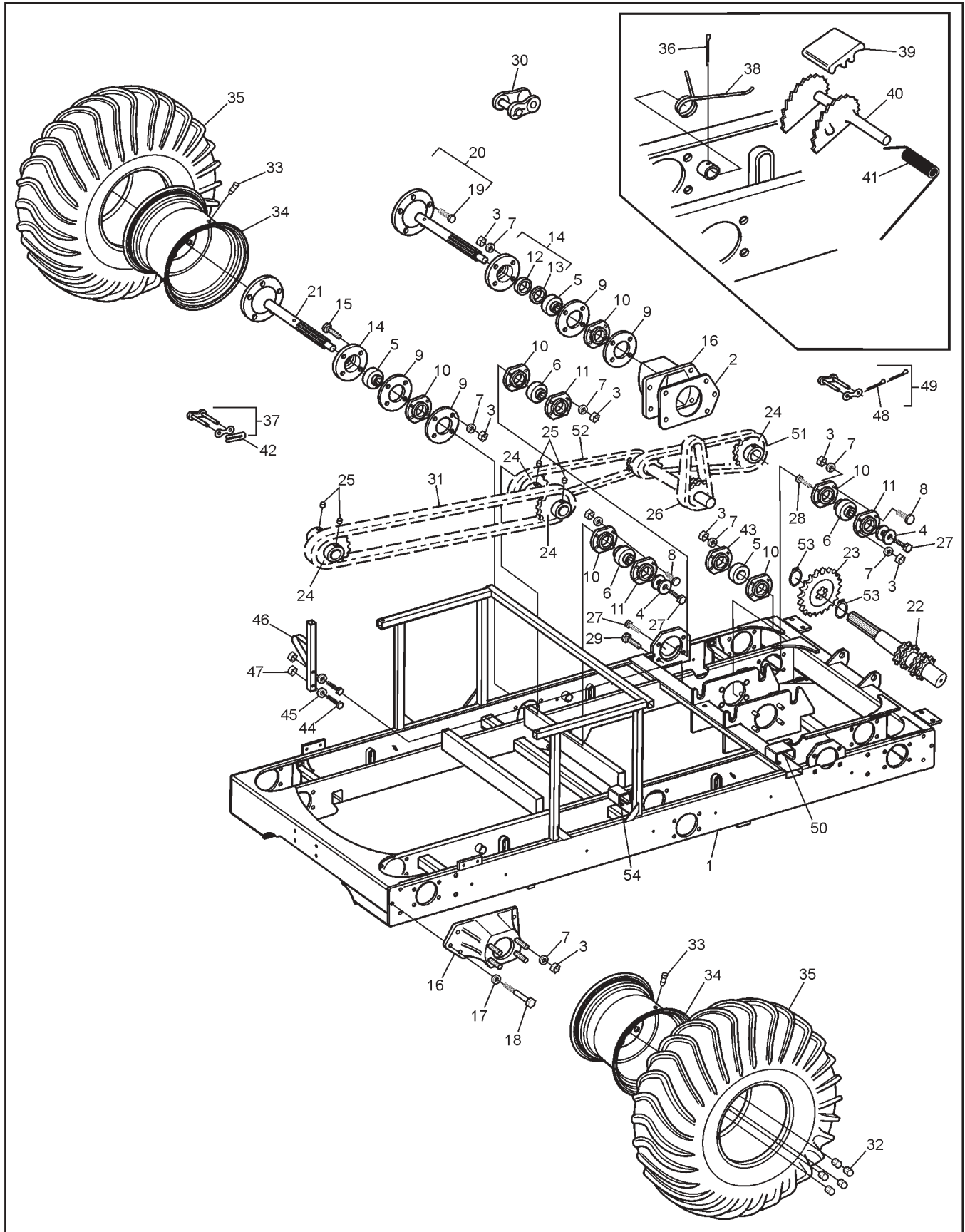
| Ref. | Qty. | Part # | Description |
|------|------|---------|--|
| 1 | 2 | 103-06 | HHCS 5/16-18x1.0 Gr5 Zn |
| 2 | 5 | 103-08 | HHCS 1/4-20x1.0 Zn |
| 3 | 2 | 108-42 | Washer .21x1.0x.06 Zn |
| 4 | 1 | 103-82 | HHCS 3/8-16x1.5 Gr5 Zn |
| 5 | 4 | 104-41 | Pin, Rounded Dowel 5/16x1 |
| 6 | 2 | 105-18 | Bushing, Oilite - 3/8x1/4 |
| 7 | 3 | 108-15 | Washer .42 x .81 x .05 Zn |
| 8 | 32 | 108-24 | Washer .34x.70x.06 Zn |
| 9 | 2 | 108-35 | Washer .53x1.06x.09 Zn |
| 10 | 4 | 108-47 | Washer .39x.94x.13 Zn Di-Chro |
| 11 | 2 | 117-10 | Locknut, 10-24 N/I Zn |
| 12 | 8 | 108-71 | Spacer-5/16 IDx7/16 ODx13/32 L |
| 13 | 8 | 112-132 | HHCS 5/16-18 x 3.25 Gr5 Zn |
| 14 | 1 | 112-19 | Screw,IHWH T/C Slot 1/4-20x1/2 |
| 15 | 2 | 112-56 | T/S Pan Head Phil #10x3/4 A Zn |
| 16 | 10 | 117-21 | Locknut, Nylon 5/16-18 Zn |
| 17 | 5 | 117-27 | Locknut, Nylon 1/4-20 Zn |
| 18 | 1 | 117-29 | Locknut, Nylon 3/8-16 Zn |
| 19 | 4 | 117-46 | Locknut, 2-way 5/16-24 Zn |
| 20 | 1 | 118-52 | Fuse, 10A 2-Prong (AT010) |
| 21 | 4 | 120-04 | Washer .19x.50x.08 Zn |
| 22 | 4 | 120-09 | Rivet - 3/16 x 1.0 Black |
| 23 | 2 | 128-12 | Spring, Comp .437 x .62" Lg. |
| 24 | 1 | 128-13 | Clip, Conduit-Anti |
| 25 | 1 | 809-147 | Lever, Parking Brake |
| 26 | 1 | 848-86 | Button, Horn |
| 27 | 1 | 848-87 | Horn, Electric |
| 28 | 1 | 848-88 | Wire Harness, Horn |
| 29 | 2 | 850-71 | Bracket, Mechanical Brake |
| 30 | 1 | 850-72 | Bracket Asm, Parking/Brake |
| 31 | 1 | 850-78 | Bracket, Parking Lever |
| 32 | 1 | 850-79 | Pulley, Parking Brake Cable |
| 33 | 2 | 850-80 | Cable, Parking Brake Equalizer |
| 34 | 1 | 850-81 | Cable, Parking Brake |
| 35 | 1 | 850-82 | Flat Bar, Equalizer |
| 36 | 2 | 850-83 | Puck, Friction |
| 37 | 2 | 850-84 | Brake Housing, Dead Side |
| 38 | 2 | 850-85 | Brake Housing, Live Side |
| 39 | 2 | 850-87 | Plate, Shim |
| 40 | 1 | 850-88 | Lever Asm, Brake - R |
| 41 | 1 | 850-75 | Lever Asm, Brake - L |
| 42 | 1 | 112-143 | SHCS 5/16x1.25 Zn |
| 43 | 1 | 104-27 | Pin, Clevis 5/16x.75" Zn |
| 44 | 1 | 100-100 | Pin, Cotter 1/8x3/4 Zn |
| 45 | 2 | 112-07 | RHMS 10-24 x 1.50 Zn |
| 46 | 1 | 850-86 | Weldment, Mechanical Brake Bracket - L |
| 47 | 1 | 850-89 | Weldment, Mechanical Brake Bracket - R |
| 48 | 2 | 128-18 | Spring, Extension 3/8" x 1.625" |



Frontier Parts Manual

7.0 Vehicle Body & Firewall

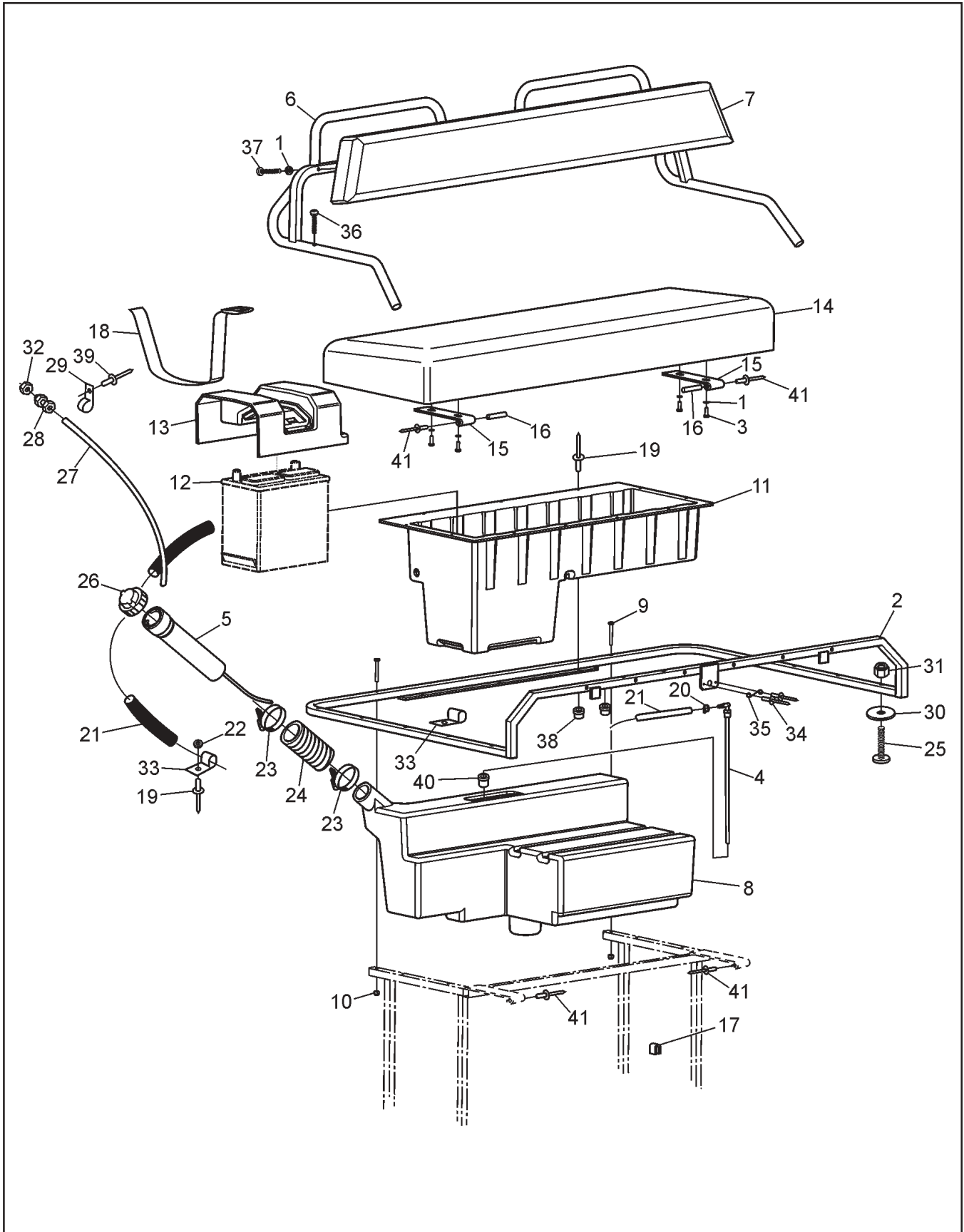
| Ref. | Qty. | Part # | Description | Ref. | Qty. | Part # | Description |
|------|------|---------|--|------|------|---------|---|
| 1 | 1 | 707-43 | Screen - Exhaust | 42 | 32 | 120-28 | Collar, Magna Grip |
| 2 | 1 | 601-102 | Nameplate, "Argo" | 43 | 1 | 603-98 | Skid Plate, 6x6 - Black |
| 3 | 2 | 127-45B | Knuckle, Hinge | 44 | 1 | 601-105 | Body & Hood, Upper - Frontier (spec. colour) (incl. 23, 33, 38) |
| 4 | 2 | 127-45A | Pin, Hinge | 45 | 109 | 120-09 | Rivet 3/16 x 1 - Black |
| 5 | 1 | 601-103 | Tube, Dash Handle, Pass. Side | 46 | 8 | 103-48 | T/S Pan HD PHIL #10 x 5/8 |
| 6 | 2 | 100-109 | Cup Holder Insert | 47 | 4 | 126-79 | Bumper, Plastic - Black |
| 7 | 1 | 126-68 | Plate, Operation | 48 | 20 | 108-25 | Washer .31 x .75 x .06 Zn |
| 8 | 1 | 707-42 | Screen, Intake | 49 | 4 | 801-41 | Washer, Seat |
| 9 | 1 | 601-03 | Seat, Rear - Left - 6x6 - Black | 50 | 4 | 108-03 | Lockwasher 1/4 Split Ring Zn |
| 10 | 1 | 100-108 | Mesh, Glove Box | 51 | 4 | 112-04 | HHCS 1/4-20 x 3/4 Gr2 Zn |
| 11 | 2 | 126-10 | Wing Stud | 52 | 1 | 126-60 | Vinyl Strip, 1/2" x 1/4" x 37.5' |
| 12 | 1 | 803-60 | Firewall, Avenger | 53 | 8 | 108-59 | Lockwasher #10 Int. Tooth Zn |
| 13 | 1 | 601-02 | Seat, Rear - Right - 6x6 - Black | 54 | 9 | 103-47 | HHCS 10-24 x 1/2 |
| 14 | 1 | 126-67 | Plate, Floor Pan | 55 | 2 | 113-12 | Insert, 1/2-13 |
| 15 | 1 | 127-148 | Plate, Vehicle Capacity | 56 | 2 | 108-35 | Washer .53 x 1.06 x .09 Zn |
| 16 | 2 | 127-01 | Reflector, Red | 57 | 2 | 112-151 | HHCS 1/2-13 x 1" Gr2 Zn |
| 17 | 1 | 803-61 | Floor Pan, Rear - Frontier | 58 | 1 | 613-37 | Terminal Strip, Ground |
| 18 | 1 | 127-141 | Label, Caution - Keyswitch | 59 | 13 | 120-13 | Rivet, 3/16 x 5/8 Black |
| 19 | 1 | 126-69 | Plate, Fuel | 60 | 1 | 117-10 | Locknut, 10-24 N/I Zn |
| 20 | 2 | 127-149 | Nameplate - Frontier | 61 | 38 | 120-24 | Rivet, 3/32 x 3/8 Alum. (all plates) |
| 21 | 2 | 601-106 | Trim, Vinyl - 30" Black | 62 | 2 | 100-114 | Gasket, Drain Plug |
| 22 | 2 | 126-09 | Grommet, Alum. Flattened Half | 63 | 2 | 602-56 | Latch, Hood - Soft Draw |
| 23 | 1 | 602-53 | Frame Ass'y, Hood - Front | 64 | 1 | 601-104 | Tube, Dash Handle, Driver Side |
| 24 | 1 | 601-05 | Bumper, Vinyl - 6x6 | 65 | 1 | 127-144 | Label, Warning - HOT |
| 25 | 1 | 803-59 | Floor Pan, Front | | | | |
| 26 | 1 | 603-99 | Body, Lower - Frontier | | | | |
| 27 | 2 | 100-107 | Plug, Drain - Flanged | | | | |
| 28 | 1 | 104-13 | Pin, Toplink - 3/4 x 2.75 | | | | |
| 29 | 1 | 616-16 | Hitch Assembly | | | | |
| 30 | 1 | 616-19 | Tube, Hitch | | | | |
| 31 | 4 | 103-61 | HHCS 3/8-24 x 1.5 Gr5 Zn | | | | |
| 32 | 1 | 104-11 | Pin, Lynch - Ring | | | | |
| 33 | 4 | 120-15 | Rivet - 1/8 x 7/16 | | | | |
| 34 | 1 | 616-20 | Gasket, Rear Hitch | | | | |
| 36 | 38 | 120-11 | Rivet 5/32 x 9/16 - Black | | | | |
| 37 | 6 | 120-05 | Washer, .19 x .50 x .04 Zn | | | | |
| 38 | 1 | 602-57 | Hood Kit - Frontier (spec. colour) (incl. 3, 4, 53, 54, 63) | | | | |
| 39 | 2 | 117-44 | T- Nut 1/4-20 Zn | | | | |
| 40 | 84 | 120-04 | Washer .19 x .50 x .08 Zn | | | | |
| 41 | 32 | 120-27 | Pin, Magna Grip | | | | |



Frontier Parts Manual

8.0 Frame and Drive System

| Ref. | Qty. | Part # | Description | Ref. | Qty. | Part # | Description |
|------|------|---------|---|------|------|--------|--------------------------------|
| 1 | 1 | 604-100 | Frame Asm - Frontier | 38 | 4 | 127-65 | Spring Torsion - 1.16x0.35 |
| 2 | 4 | 606-25 | Gasket - Bearing Extension | 39 | 4 | 606-39 | Slider Block -1/2" Shaft |
| 3 | 80 | 117-29 | Locknut, Nylon 3/8-16 Zn | 40 | 4 | 606-35 | Tensioner Asm, Chain |
| 4 | 16 | 108-46 | Washer .40 x 1.37 x .12 Hi-Carbon | 41 | 4 | 127-64 | Spring, Torsion - .76 x 1.9 |
| 5 | 8 | 101-35 | Bearing, Ball - 1.25 | 42 | 4 | 603-96 | Spring Clip - RC 60 Closed |
| 6 | 8 | 101-41 | Bearing, Ball - 1.0 | 43 | 2 | 101-80 | Flange, Greaseable - 90 Degree |
| 7 | 80 | 108-15 | Washer, .42 x .81 x .05 Zn | 44 | 2 | 103-97 | HHCS 1/4-20 x 1.25 |
| 8 | 31 | 103-88 | C/Bolt 3/8-16 x 1.0 Gr5 Zn | 45 | 4 | 108-08 | Washer .28 x .62 x .07 |
| 9 | 12 | 605-89 | Gasket, Flange - Outer | 46 | 1 | 806-43 | Support Asm, Firewall |
| 10 | 20 | 605-63 | Flange - 4 hole | 47 | 2 | 117-27 | Locknut, Nylon 1/4-20 |
| 11 | 10 | 101-20 | Flange, Greasable - 4 hole | 48 | 4 | 104-35 | Pin, Cotter 2mm x 12mm |
| 12 | 8 | 102-14 | Seal, Oil 1.25 x 1.75 x 0.188 | 49 | 2 | 603-94 | Con. Link, RC60-1 Cotter Pin |
| 13 | 8 | 102-15 | Seal, Oil 1.25 x 1.874 x 0.25 | 50 | 2 | 606-43 | Slide, Chain - 2-3/4" |
| 14 | 8 | 605-97 | Flange Asm, Outer (incl. Refs. 12 & 13) | 51 | 2 | 606-45 | Chain, RC60 - 1 x 42P |
| 15 | 16 | 112-39 | C/Bolt 3/8-16 x 1.75 Gr5 Zn | 52 | 2 | 606-46 | Chain, RC60 - 1 x 64P |
| 16 | 4 | 810-91 | Bearing Extension | 53 | 4 | 107-10 | Retaining Ring SH-0125-PA |
| 17 | 20 | 108-34 | Washer .47 x .94 x .06 Zn | 54 | 2 | 606-42 | Slide, Chain - 1.25" |
| 18 | 20 | 112-150 | HHCS 7/16-20 x 1.5 Gr5 Zn | | | | |
| 19 | 5x8 | 103-80 | Stud, Wheel 7/16-20 x 1.125 #B271 | | | | |
| 20 | 4 | 810-73 | Axle Asm - Front/Rear (incl. Ref. 19) | | | | |
| 21 | 2 | 810-75 | Axle Asm - Mid (incl. Ref. 19) | | | | |
| 22 | 2 | 606-78 | Shaft, Idler - 10T #60 Weldment | | | | |
| 23 | 2 | 606-81 | Sprocket, Idler S60 x 21T | | | | |
| 24 | 8 | 606-34 | Sprocket, S60 x 19T | | | | |
| 25 | 10 | 112-03 | SHSS 5/16-18 x 3/8 1/2 DOG, PL | | | | |
| 26 | 2 | 803-54 | Chain, Idler RC60-1 x 34P | | | | |
| 27 | 12 | 112-31 | HHCS 3/8-16 x 1.0 2B Gr8 Zn | | | | |
| 28 | 1 | 103-82 | HHCS 3/8-16 x 1.5 Gr5 Zn | | | | |
| 29 | 4 | 112-61 | C/Bolt 3/8-16 x 1.25 Gr5 Zn | | | | |
| 30 | | 127-80 | Link, Half - RC60 - 1 (opt.) | | | | |
| 31 | 2 | 606-47 | Chain, RC60-1 x 96P (incl. Ref. 37) | | | | |
| 32 | 5x6 | 117-35 | Nut, Wheel 7/16-20 Zn | | | | |
| 33 | 4 | 125-26 | Valve, Tire | | | | |
| 34 | 6 | 125-13C | Rim - 8 x 7 - Charcoal | | | | |
| 35 | 6 | 127-158 | Tire, Argo 24 x 10-8 | | | | |
| 36 | 4 | 100-01 | Pin, Cotter 1/8 x 1.50 Zn | | | | |
| 37 | 1x6 | 603-84 | Con. Link, RC60-1 H.D. | | | | |

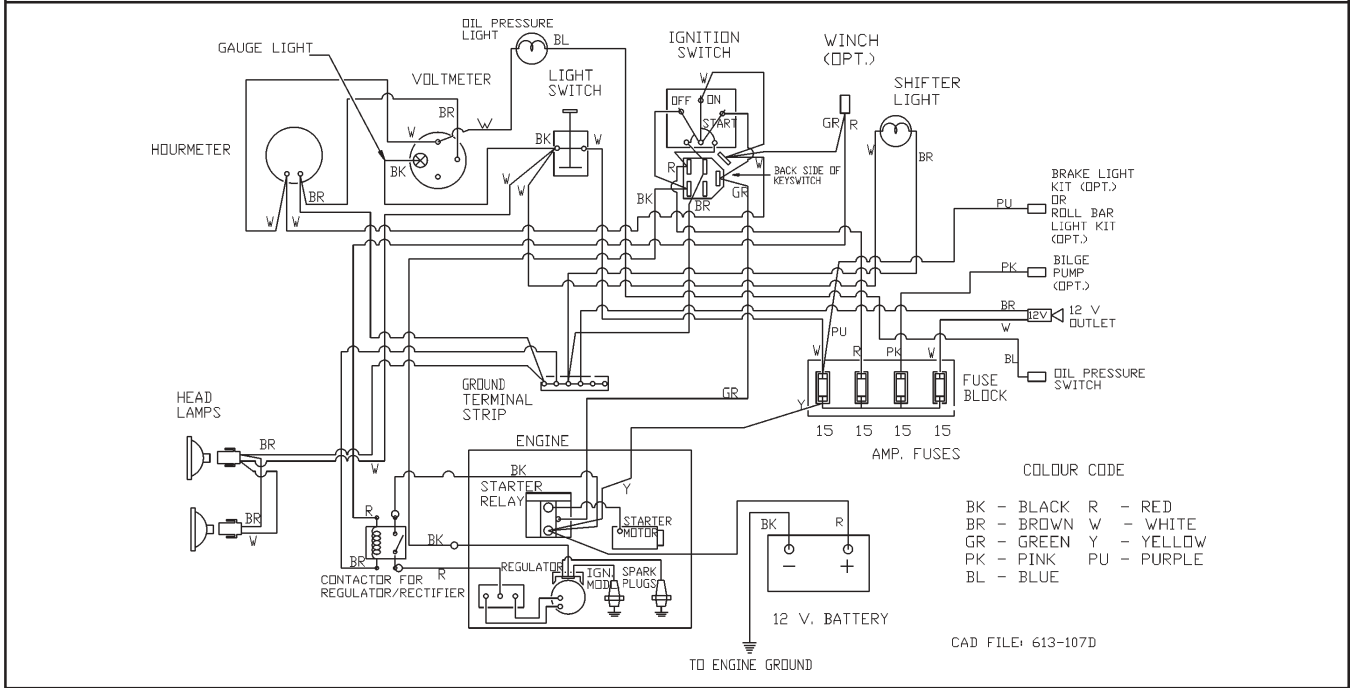
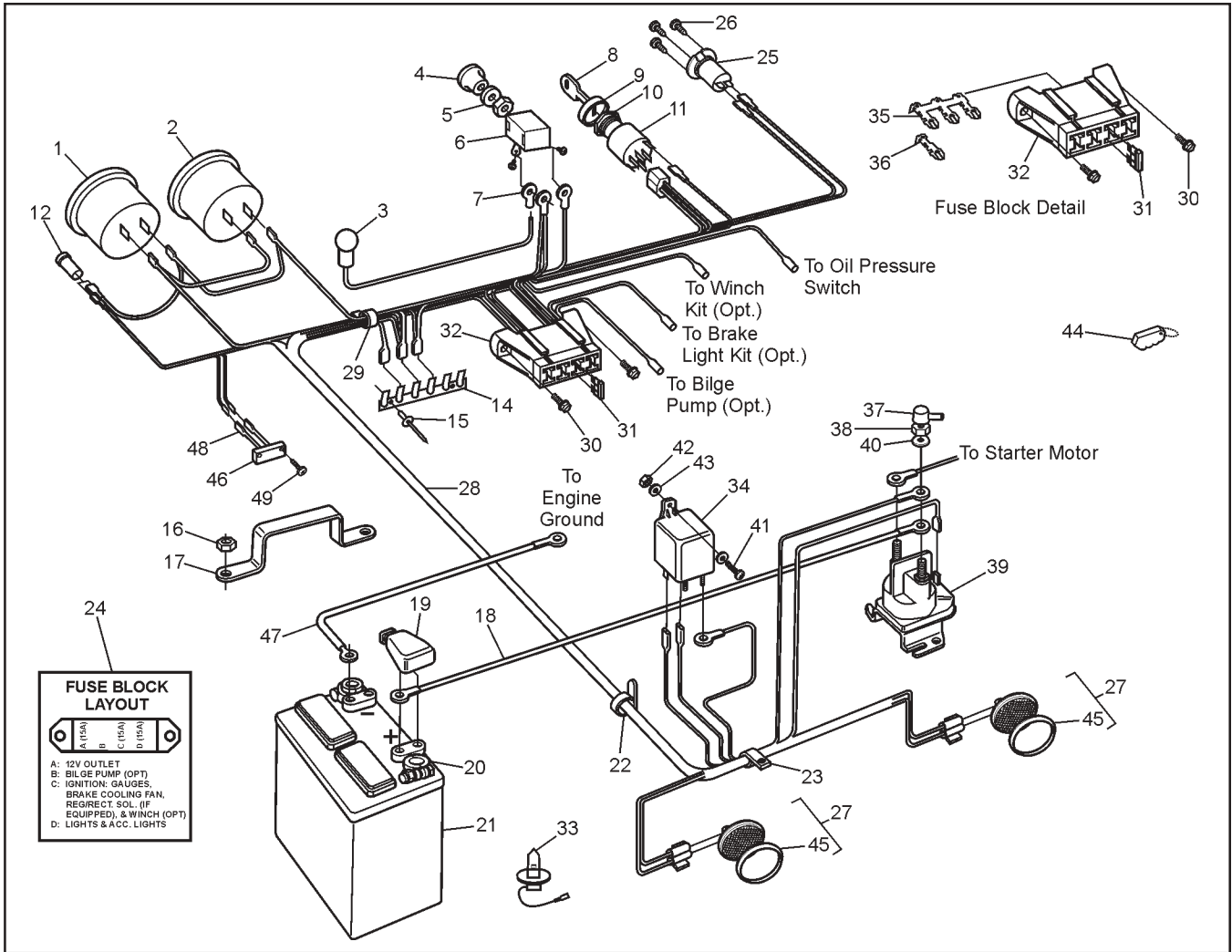


Frontier Parts Manual 9.0 Fuel System & Seat Assembly

| Ref. | Qty. | Part # | Description |
|------|------|---------|---|
| 1 | 8 | 108-03 | Lockwasher 1/4 Split Ring Zn |
| 2 | 1 | 608-74 | Frame Assembly, Seat |
| 3 | 4 | 112-04 | HHCS 1/4-20x3/4 Gr2 Zn |
| 4 | 1 | 608-87 | Pick-up, Fuel, 1/4" x 11.75" |
| 5 | 1 | 608-59 | Neck Assembly, Vented Filler |
| 6 | 1 | 608-76 | Frame Assembly, Backrest |
| 7 | 1 | 608-39 | Back pad Assembly |
| 8 | 1 | 608-44 | Tank, Fuel - Argo |
| 9 | 2 | 103-77 | HHCS, 1/4-28 X 2.0 |
| 10 | 2 | 117-01 | Locknut, Nylon 1/4-28 Zn |
| 11 | 1 | 608-54 | Toolbox |
| 12 | 1 | 127-54 | See Section 10.0 Electrical System |
| 13 | 1 | 608-55 | Cover, Battery |
| 14 | 1 | 608-45 | Seat Assembly, Bench |
| 15 | 2 | 608-81 | Hinge, Seat, Bolted |
| 16 | 2 | 104-43 | Pin, 3/16" x 1-1/8" |
| 17 | 4 | 702-06 | Foam Cushion |
| 18 | 1 | 608-56 | Strap, Battery |
| 19 | 15 | 120-09 | Rivet 3/16x1 - Black |
| 20 | 2 | 112-79 | Clamp, Hose, 1/2" - Black |
| 21 | 1 | 608-42 | Hose, Fuel - 110" |
| 22 | 8 | 120-04 | Washer .19 x .50 x .08 Zn |
| 23 | 2 | 100-12 | Clamp, Gear 2.25" HF-36 |
| 24 | 1 | 125-94 | Hose, Filler |
| 25 | 10 | 112-07 | RHMS 10-24x1.50 Zn |
| 26 | 1 | 126-46 | Cap, Fuel |
| 27 | 1 | 127-21 | Hose, Vent - 86" |
| 28 | 1 | 126-50 | Male Connector, 1/4" |
| 29 | 6 | 126-94 | Clamp, Nylon Wire - 1/4"ID |
| 30 | 10 | 108-42 | Washer .21x1.0x.06 Zn |
| 31 | 10 | 117-10 | Locknut, Nylon #10-24 Zn |
| 32 | 1 | 117-54 | Nut, Locking PAL 1/2-20 Zn |
| 33 | 7 | 126-93 | Clamp, Nylon Wire - 1/2"ID |
| 34 | 2 | 120-15 | Rivet, 1/8 x 7/16 |
| 35 | 1 | 126-11 | Spring, Retaining |
| 36 | 2 | 112-41 | PHMS, Phil 1/4-20 x 1.25 Zn |
| 37 | 4 | 103-03 | PHMS, Phil 1/4-20 x 1.50 Zn |
| 38 | 2 | 117-64 | Insert, 1/4-20 Steel Cad Pltg. |
| 39 | 4 | 120-13 | Rivet, 3/16 x 5/8 Black |
| 40 | 1 | 808-123 | Plug, Nylon, 1/4 - NPT |
| 41 | 2 | 120-31 | Rivet, 3/16" x 1/4, Open End |

10.0 Electrical System

Frontier Parts Manual



| Ref. | Qty. | Part # | Description |
|------|------|---------|--|
| 1 | 1 | 632-15 | Hourmeter #56458-10 (#876EM) |
| 2 | 1 | 633-10 | Voltmeter #07583-15 (#830EM) |
| 3 | 2 | 634-10 | Light Kit, #06215-00 5/8" dia. |
| 4 | 1 | 126-76 | Knob, Light |
| 5 | 1 | 108-55 | Lockwasher 7/16 Ext. Tooth |
| 6 | 1 | 100-62 | Switch, Light |
| 7 | 1 | 118-30 | Terminal, Eye - #10 |
| 8 | 2 | 127-108 | Key, Molded |
| 9 | 1 | 127-107 | Cover, Nut |
| 10 | 1 | 127-106 | Nut, Flanged - Plastic |
| 11 | 1 | 127-105 | Switch - Ignition |
| 12 | 1 | 634-08 | Light, Indicator |
| 14 | 1 | 613-37 | Terminal Strip, Ground |
| 15 | 2 | 120-15 | Rivet 1/8 x 7/16 |
| 16 | 2 | 117-21 | Locknut, Nylon 5/16-18 Zn |
| 17 | 1 | 604-52 | Bracket, Battery Retaining |
| 18 | 1 | 613-94 | Wire, Positive Battery |
| 19 | 1 | 127-55 | Cap, Battery Terminal - Red |
| 20 | 2 | 127-56 | Terminal, Battery Post |
| 21 | 1 | 127-54 | Battery, Exide 45-60 |
| 22 | 8 | 100-64 | Tie Wrap - 5.5" - Black |
| 23 | 6 | 126-93 | Clamp, Nylon Wire - 1/2" ID |
| 24 | 1 | 127-154 | Label, Fuse Panel (located on Guard, Belt Protect - see pg. 7) |
| 25 | 1 | 613-90 | Outlet, 12 V DC |
| 26 | 3 | 112-139 | #4 Phil Drive Oval Head Screw, Black |
| 27 | 2 | 613-92 | Headlamp Ass'y - oval w/Bezel (incl. items 33 & 45) |
| 28 | 1 | 613-97 | Wire Harness |
| 29 | 7 | 127-24 | Clamp, Nylon - 1" ID |
| 30 | 2 | 112-51 | Screw, IHWH T/C #10-24 x 5/8 |
| 31 | 4 | 118-49 | Fuse, 15 A 2-prong (AT015) |
| 32 | 1 | 118-60 | Block Fuse - 8 position (4 fuse) |
| 33 | 2 | 127-46 | Bulb, Headlight - Halogen |
| 34 | 1 | 613-98 | Relay, 80 Amp |
| 35 | 1 | 118-63 | Terminal, Fuse - Triple |
| 36 | 5 | 118-62 | Terminal, Fuse - Single |
| 37 | 1 | 613-45 | Insulator, Terminal (6 ga.) |
| 38 | 2 | 117-20 | Nut, Fin. Hex 1/4-20 Zn |
| 39 | 1 | 613-68 | Starter Relay |
| 40 | 1 | 108-03 | Lockwasher 1/4 Split Ring Zn |
| 41 | 1 | 103-25 | PHMS 10-24 x 3/4 Zn |
| 42 | 1 | 117-10 | Locknut, 10-24 N/I Zn |
| 43 | 2 | 120-05 | Washer .19 x .50 x .04 Zn. |
| 44 | 1 | 681-00 | FOB, Key - Floating |
| 45 | 2 | 613-93 | Bezel, Headlamp |
| 46 | 1 | 613-99 | Light, Shifter Illumination |
| 47 | 1 | 613-95 | Wire, Negative Battery |
| 48 | 2 | 118-69 | Terminal, 3/16 Male Blade 22 Ga |
| 49 | 2 | 112-139 | OHPS T/S #4 x 5/8 Black Zn |

ARGO Products Manufactured by:

Ontario Drive & Gear Limited

220 Bergey Court
New Hamburg, Ontario
Canada N3A 2J5
Phone: (519) 662-2840
Fax: (519) 662-2421
www.argoatv.com

ODG *Dedicated to quality and performance*