

**Argo 6x6**  
**650HD**



**Argo 6x6**  
**650HD**

# PARTS MANUAL

From Serial # ...17306

# Foreword

ODG has prepared this parts manual for the 6x6 650 HD model to assist both qualified mechanics and vehicle owners in ordering correct, quality replacement ARGO parts. For the most current parts manual visit our website at [www.argoatv.com](http://www.argoatv.com).

Proper and regular service, and replacing old, worn or broken parts with the correct ARGO replacement parts, are both essential to prolonging the life of the ARGO. Please refer to this parts manual and/or our website [www.argoatv.com](http://www.argoatv.com) before ordering any replacement part.

All information contained in this 6x6 650 HD Parts Manual is based on the latest product specification available at time of printing. If your 6x6 650 HD differs from the specifications contained in this manual, check our website [www.argoatv.com](http://www.argoatv.com) for the most current information.

ODG reserves the right to alter specifications on the 6x6 650 HD model at any time, without obligation or prior notification.

Reproduction of this 6x6 650 HD Parts Manual, in whole or in part, is prohibited without prior written permission from Ontario Drive & Gear Limited.

## Vehicle Identification

**6x6 650 HD** - Serial Nos. ...17306

## Explanation of Parts Manual Format

- Ref** - Reference number between assembly diagram and component parts list
- Part No.** - Argo replacement part number for identification and re-ordering
- Description** - Part description for identification and re-ordering
- Qty** - Indicates the quantity of a part used in an assembly

# Argo 6x6 650HD



## Using the Parts Manual

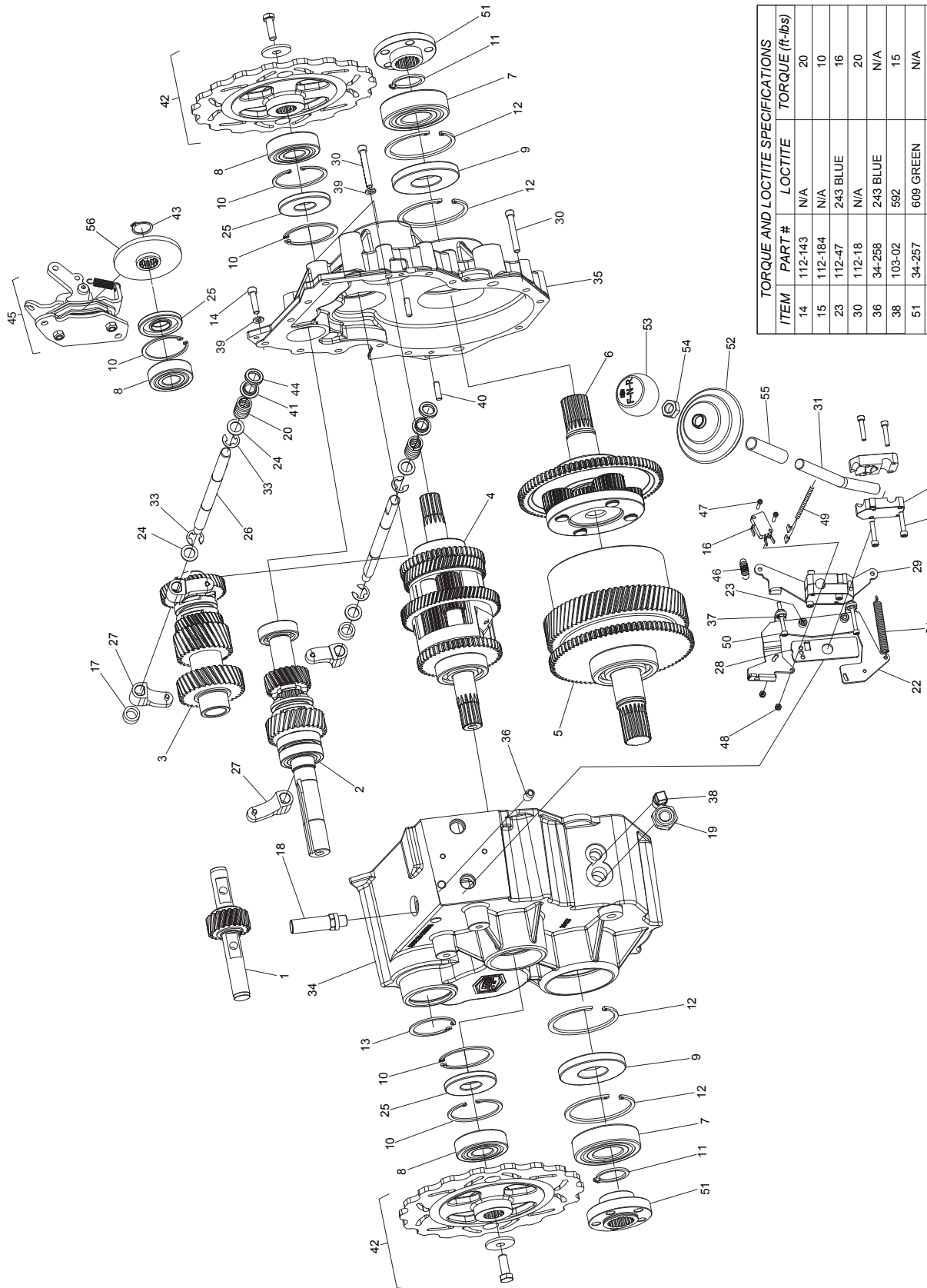
1. Find the major vehicle assembly in the Table of Contents on this page, and turn to that section.
2. Locate the part in the illustration that you wish to order.
3. Refer to the parts list in that section.
4. Find the correct part number (Part No.), part description (Description) and correct quantity (Qty).
5. Use *only* this information to order ARGO replacement parts. **DO NOT** attempt to order a replacement part by reference number or page number.

## Table of Contents

Foreword .....	i
Vehicle Identification.....	i
Using the Parts Manual .....	ii
1.0 Transmission .....	1
1.1 Transmission Sub-Assemblies .....	3
2.0 Intake and Exhaust System.....	5
3.0 Clutch System .....	7
4.0 Power Pack Assembly.....	9
5.0 Steering & Brake System .....	11
6.0 Parking Brake.....	13
7.0 Vehicle Body & Firewall.....	15
8.0 Frame & Drive System .....	17
9.0 Fuel System & Seat Assembly .....	19
10.0 Electrical System.....	21

# 1.0 Transmission

# 6x6 650 HD Parts Manual



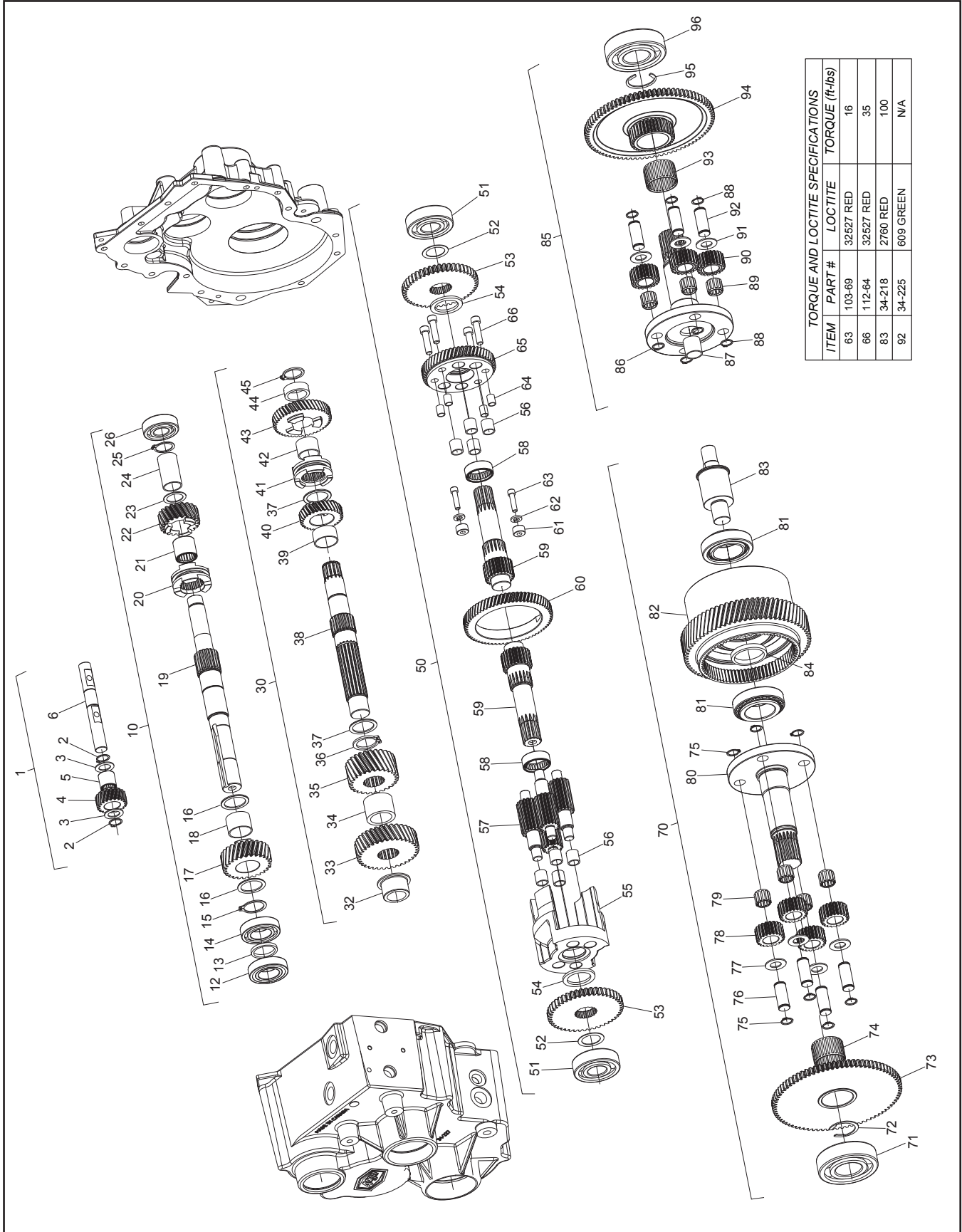
TORQUE AND LOCTITE SPECIFICATIONS		
ITEM	PART #	LOCTITE TORQUE (ft-lbs)
14	112-143	N/A
15	112-184	N/A
23	112-47	243 BLUE
30	112-18	N/A
36	34-258	243 BLUE
38	103-02	592
51	34-257	609 GREEN

# 6x6 650 HD Parts Manual

# 1.0 Transmission

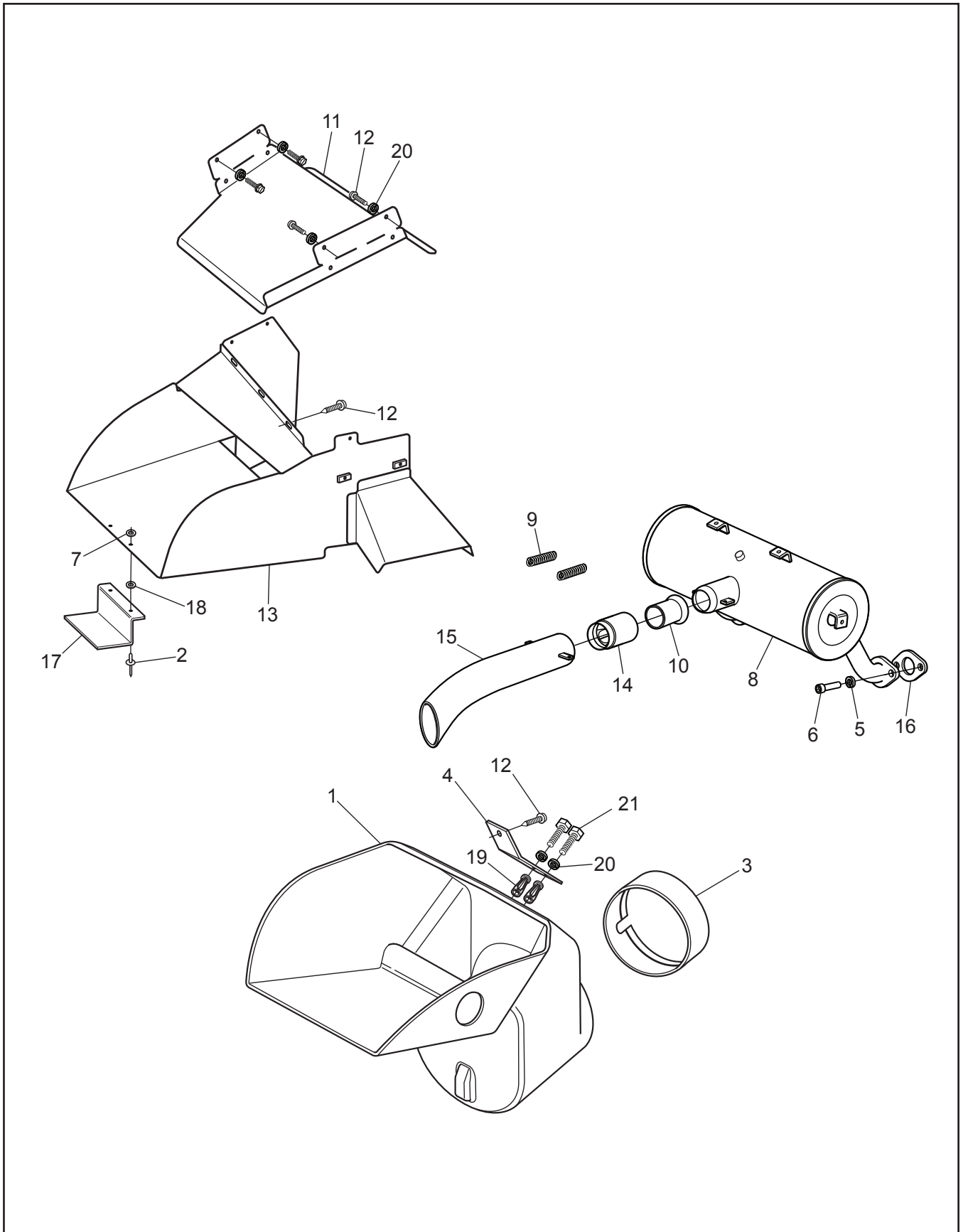
Ref.	Qty.	Part #	Description	Ref.	Qty.	Part #	Description
	1	34-200	Transmission Admiral	50	2	112-195	SHCS 8-32 x 1.5 Stainless
1-6			<b>See Section 1.1 Trans. Sub Assemblies</b>	51	2	34-239	Coupler, Output Shaft - 34-200
7	2	101-81	Bearing, Ball 6307 ZZE	52	1	609-44	Boot, F-N-R Shifter
8	3	101-86	Bearing, Ball 6305 Zz	53	1	127-226	Knob, Shift F-N-R - HD
9	2	102-33	Seal, Oil 35x80x10	54	1	117-96	Nut, Jam 1/2-13
10	5	106-05	Retaining Ring HO-244-PA	55	1	127-228	Sleeve, Insulating - 2.75"
11	2	106-23	Retaining Ring SH-0137-PA				
12	4	106-24	Retaining Ring H0-312-PA				
13	1	106-26	Retaining Ring H0-206-PA				
14	10	112-143	SHCS 5/16 x 1.25 Zn				
15	8	112-184	SHCS, 10-32 x 1				
16	1	613-151	Switch, Micro, Roller Lever				
17	2	114-21	Spacer, .51x.75x.36				
18	1	34-245	Plug, Fill/Vent 1/2 BSPP				
19	1	34-251	Site Glass, 1/2 BSP Aluminum				
20	2	127-186	Spring, Comp. 0.70x1.28				
21	1	127-194	Spring, Ext .360x3.0				
22	1	34-241	Bracket, Switch, Spring Mount				
23	2	112-47	SHCS 1/4-20 x 1.0 Zn				
24	3	108-35	Washer .53x1.06x.09 Zn				
25	3	102-37	Seal, Oil 25x62x7				
26	2	34-231	Shaft, Shift - F-N-R				
27	4	34-232	Fork, Shift - Half				
28	1	34-233	Plate, Detent				
29	1	34-242	Bracket, Spring Mount				
30	8	112-18	SHCS 5/16x2.25				
31	1	34-235	Lever, Shaft - F-N-R				
32	4	34-236	Clamp, Lever Shaft				
33	3	106-30	Retaining Ring E-0050 E				
34	1	34-227	Housing, Admiral, Left (includes Ref. # 36)				
35	1	34-228	Housing, Admiral, Right				
36	1	34-258	Plunger, Ball - Nose Spring				
37	4	117-92	Nut, Hex Machine #8-32 Zn				
38	1	103-02	Plug, Magnetic 3/8-18Npt Sq. Hd				
39	11	108-05	Lockwasher 5/16 Split-Ring Zn				
40	2	104-03	Pin, Dowel 1/4x7/8				
41	2	105-33	Bushing, Flange				
42			<b>See Section 4.0 Power Pack</b>				
43	1	106-29	Retaining Ring SH-0093-PA				
44	2	102-36	Seal, Shift Shaft - 0.5 x .75 x .125				
45			<b>See Section 6.0 Parking Brake</b>				
46	1	127-195	Spring, Ext., .75 x 2.73				
47	2	112-172	SHCS 5-40 x 3/4 Zn				
48	2	112-173	Locknut, #5-40 Zn				
49	1	613-112	Wire Harness, Neutral Start				

# 1.1 Transmission Sub-Assemblies 6x6 650 HD Parts Manual



## 6x6 650 HD Parts Manual 1.1 Transmission Sub-Assemblies

Ref.	Qty.	Part #	Description	Ref.	Qty.	Part #	Description
<b>1</b>	<b>1</b>	<b>34-290</b>	<b>Asm, Reverse Shaft - Adm. includes:</b>	60	1	34-205	Gear, Helical - 67T
2	2	106-25	Retaining Ring SH-0078-PA	61	2	105-28	Bushing, Dowel .26x.625x.36
3	2	108-99	Washer, Thrust .79x1.25 x .06	62	2	108-03	Lockwasher 1/4 Split Ring Zn
4	1	34-220	Pinion, Idler - 20T	63	2	103-69	SHCS, 1/4-20 x 1.5 Zn
5	1	101-87	Bearing, Needle HMK20x27x25	64	4	105-23	Bushing, Dowel - .312 x .5
6	1	34-221	Shaft, Shift - Reverse	65	1	34-204	Gear, Helical - 55T
				66	4	112-64	SHCS 5/16 x 18 x 1.25
<b>10</b>	<b>1</b>	<b>34-291</b>	<b>Asm, Input Shaft includes:</b>	<b>70</b>	<b>1</b>	<b>34-294</b>	<b>Asm, Output Shaft LH-Adm. includes</b>
12	1	101-89	Bearing, Ball 60/28 Llu	71	1	101-73	Bearing, Ball 6307 CL.N.
13	1	114-19	Spacer, 1.12x1.375x.148	72	1	106-31	Retaining Ring C-0137
14	1	101-88	Bearing, Ball 60/28	73	1	34-207	Gear, Sun - 81T, 35T
15	1	106-27	Retaining Ring SH-112-PA	74	1	101-83	Bearing, Needle KJ37x42x27S
16	2	108-98	Washer, Thrust 1.13x1.46x.062	75	8	106-22	Retaining Ring SH-0056-PA
17	1	34-215	Pinion, For.-27T,12Dp	76	4	34-225	Pin, Planet Carrier
18	1	105-32	Bushing, Bronze 1.125x1.25x.875	77	4	108-93	Washer, .59x1.10x.06
19	1	34-213	Shaft, Input	78	4	34-217	Gear, Planet - 21T
20	1	34-224	Collar, Shift, For-Rev	79	4	101-82	Bearing, Needle KM J15x21x17S
21	1	101-90	Bearing, Needle HK2220	80	1	34-216	Shaft, Output
22	1	34-214	Pinion, Reverse - 21T,12Dp	81	2	101-76	Bearing, Tapered Roller 32008X
23	1	114-17	Washer, Thrust .866x1.181x.039	82	1	34-219	Planetary Hub
24	1	114-18	Spacer, .865x1.0x1.75	83	1	34-218	Shaft, Planetary Stub
25	1	106-25	Retaining Ring SH-0078-PA	84	1	114-22	Spacer, 1.585x1.75x.245
26	1	101-01	Bearing, Ball 6204Z-C3				
<b>30</b>	<b>1</b>	<b>34-295</b>	<b>Asm, Idler Shaft includes:</b>	<b>85</b>	<b>1</b>	<b>34-293</b>	<b>Asm, Output Shaft RH - Adm. includes:</b>
32	1	105-30	Bushing, Flanged 1x1.375	86	1	34-226	Shaft, Output, Right
33	1	34-211	Gear, Helical - 35T	87	1	105-26	Bushing, Oilite .75x.875x.875
34	1	108-96	Spacer, 1.125x1.5x1.083	88	8	106-22	Retaining Ring SH-0056-PA
35	1	34-209	Pinion, Helical - 27T	89	4	101-82	Bearing, Needle KM J15x21x17S
36	1	106-28	Retaining Ring SHR-0112-PA	90	4	34-217	Gear, Planet - 21T
37	2	108-98	Washer, Thrust 1.13x1.46x.062	91	4	108-93	Washer, .59x1.10x.06
38	1	34-208	Shaft, Idler	92	4	34-225	Pin, Planet Carrier
39	1	105-31	Bushing, Bronze 1.125x1.25x.625	93	1	101-83	Bearing, Needle KJ37x42x27S
40	1	34-210	Pinion, Helical - 31T	94	1	34-207	Gear, Sun - 81T, 35T
41	1	34-223	Collar, Shift, Hi-Low	95	1	106-31	Retaining Ring C-0137
42	1	105-29	Bushing, Oilite 1.0x1.125x.75	96	1	101-73	Bearing, Ball 6307 CL.N.
43	1	34-212	Pinion, Helical - 45T				
44	1	108-97	Spacer, 1.01x1.3x.409				
45	1	107-15	Retaining Ring SHR-98-PA				
<b>50</b>	<b>1</b>	<b>34-292</b>	<b>Asm, Differential - Adm. includes:</b>				
51	2	101-40	Bearing, Ball 6305 Open				
52	2	114-16	Washer, SHIM .99x1.375x.030				
53	2	34-203	Pinion, Spur - 46T				
54	2	108-94	Washer, Thrust 1.25x1.688x.125				
55	1	34-206	Cage, Differential				
56	8	105-27	Bushing, Oilite .5x.625x.625				
57	4	34-202	Gear, Planet - 15T				
58	2	101-84	Bearing, Needle HK3012				
59	2	34-201	Shaft, Brake				



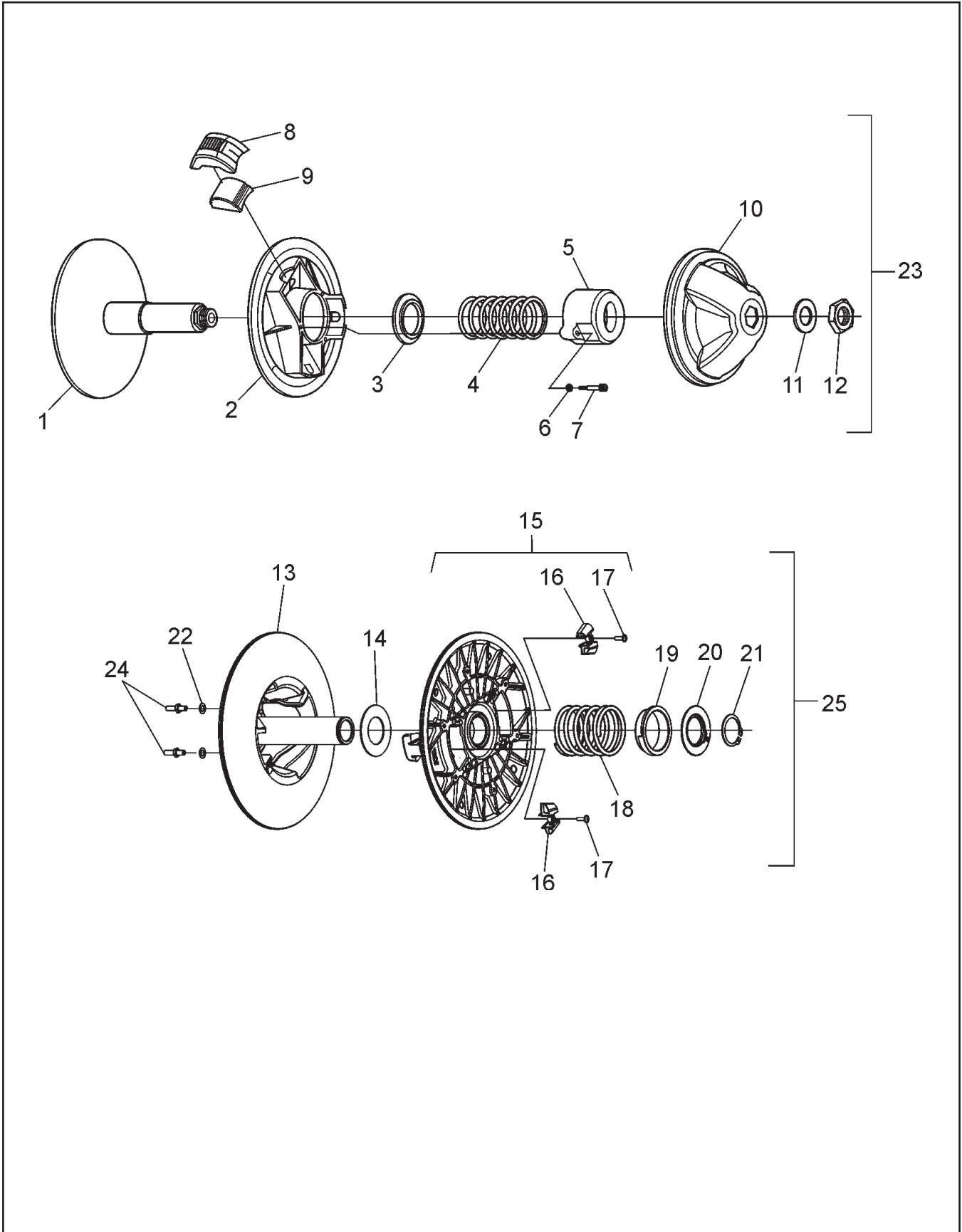


## 6x6 650 HD Parts Manual      2.0 Intake and Exhaust System

Ref.	Qty.	Part #	Description
1	1	809-07	Duct, Intake - Frontier
2	2	120-31	Rivet, 3/16 x 1/4". Open End
3	1	603-82	Seal, Argo Air Intake Duct
4	1	809-08	Bracket, Intake Duct
5	4	108-02	Lockwasher 5/16 Hi-Collar Bare
6	4	112-30	SHCS M8 x 1,25 x 20mm Zn
7	4	120-04	Washer, .19 x .50 x .08 Zn
8	1	807-135	Muffler Asm, Briggs 650
9	2	127-187	Spring, Extension - 17/32 x 3.75
10	1	607-135	Tube, Muffler, Flared x 2.0
11	1	607-191	Shield, Duct Exhaust Upper
12	8	112-19	Screw, IHWH T/C Slot 1/4-20 x 1/2
13	1	607-164	Duct, Exhaust - Frontier
14	1	607-171	Spark Arrestor, ODG
15	1	607-134	Pipe, Tail Ass'y
16	2	806425	Gasket, Exhaust Manifold - B&S 23 HP
17	1	707-45	Support, Exhaust Duct
18	2	125-58	Washer, Fibre - W-77F
19	2	117-53	Nut, Jack 1/4-20 8L-JNS Zn
20	6	108-03	Lockwasher 1/4 Split Ring Zn
21	2	103-97	HHCS 1/4-20 x 1.25 Gr5 Zn
22	1	108-77	Lockwasher, #8 External Tooth
23	1	112-43	Screw IHWH #8 x 3/8

# 3.0 Clutch System

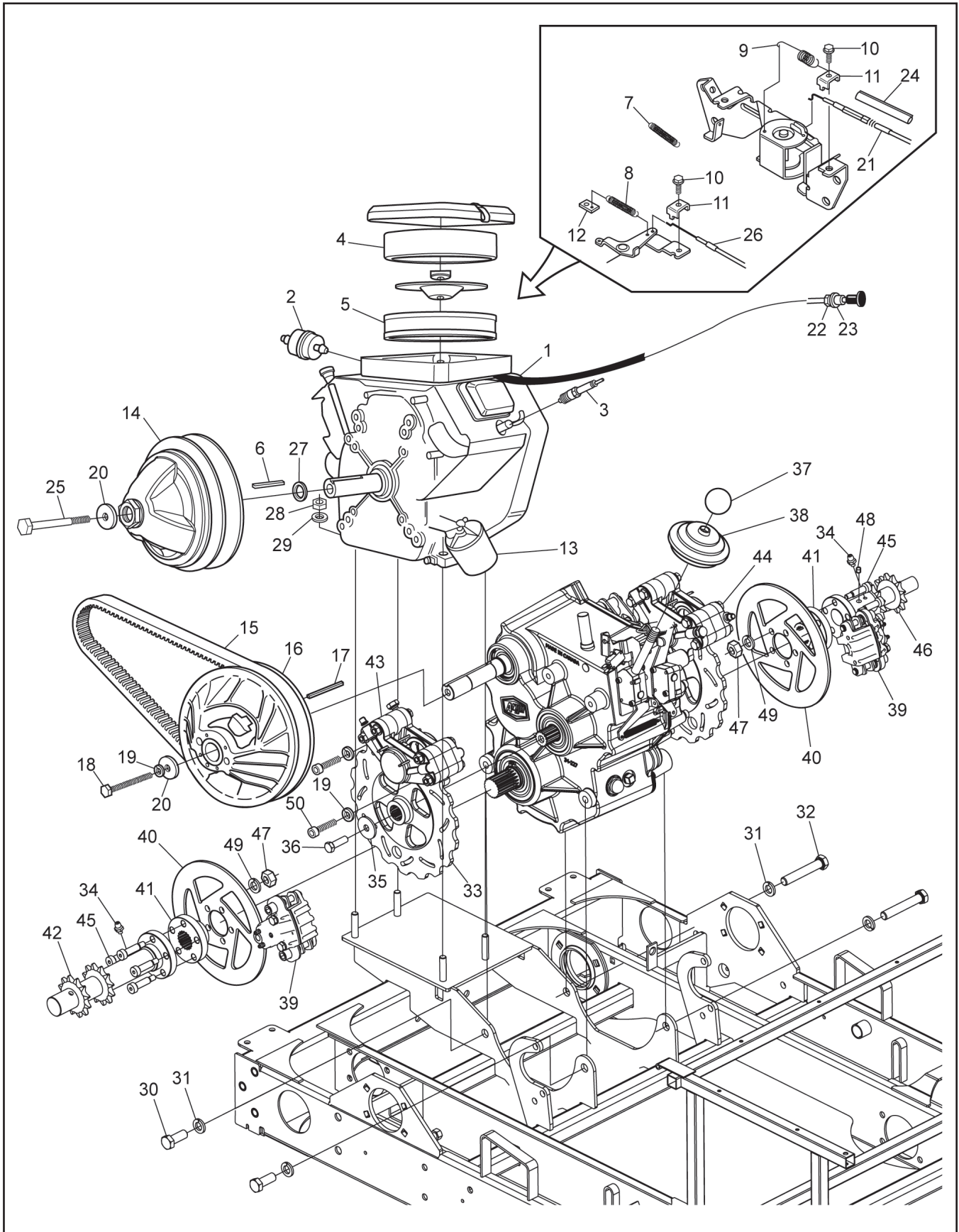
# 6x6 650 HD Parts Manual



Ref.	Qty.	Part #	Description
1	1	0405-0075	Flange, Fixed - 6x6 Frontier 650
2	1	0410-0026	Flange, Sliding
3	1	0150-1014	Spring Guide Washer
4	1	0451-1114	Spring
5	1	0440-0005	Spring Cover
6	3	0080-0167	Lockwasher
7	3	0080-0021	Screw, Cap
8	3	0130-3012	Block
9	3	0135-3065	Weight (275gr) - 6x6 Frontier 650
	1	127-208	Weight Set (3), 185g - High Elevation
	1	127-209	Weight Set (3), 220g - High Elevation
	1	127-210	Weight Set (3), 240g - High Elevation
10	1	0115-0047	Cap
11	1	0080-0153	Washer, Zn
12	1	0080-0100	Nut
13	1	5905-0003	Flange, Fixed
14	1	0080-0164	Washer, Shim
15	1	5910-0002	Flange, Sliding
16	3	5930-3001	Cam Shoe
17	2	0080-0031	Screw
18	1	5951-1009	Spring
19	1	5950-3003	Spring Protector
20	1	5950-3002	Spring Support
21	1	0080-0216	Retaining Ring, Outside
22	2	0080-0167	Lockwasher
23	1	127-135	Clutch, Driver - 6x6 Frontier 650
24	2	0080-0035	Screw & Nut Ass'y
25	1	127-156	Clutch, Driven - INVANCE

# 4.0 Power Pack Assembly

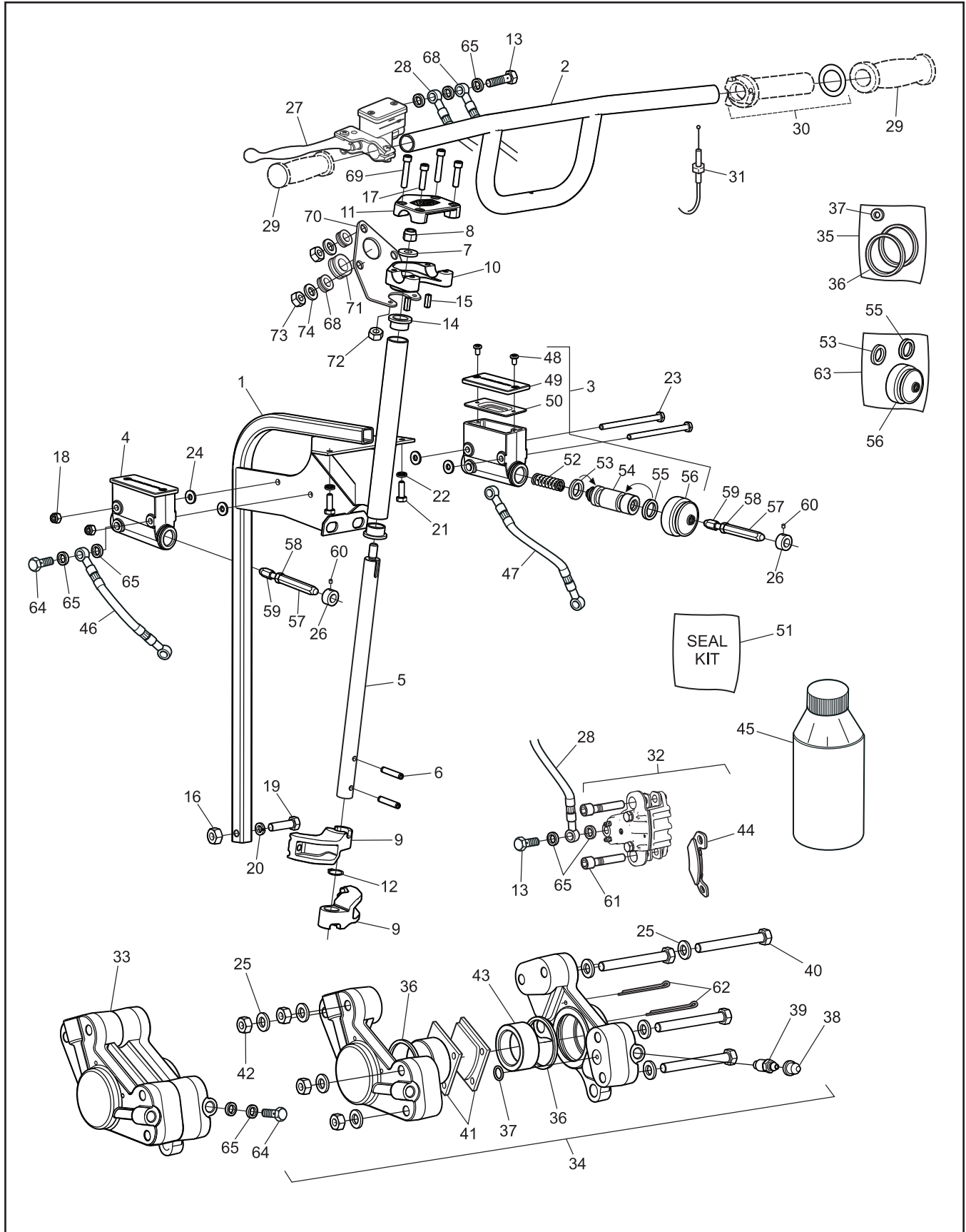
# 6x6 650 HD Parts Manual



## 6x6 650 HD Parts Manual

## 4.0 Power Pack Assembly

Ref.	Qty.	Part #	Description	Ref.	Qty.	Part #	Description
1	1	128-32	Engine - B&S 23HP, 20/50 amp incl. Ref. 2-13 B&S #386447-0144-E1	35	2	108-18	Washer .40 x 1.37 x .12 Zn
2	1	125-64	Fuel Filter, G81-4	36	2	103-60	HHCS 3/8-24 x 1 Gr5
3	2	127-193	Sparkplug RC14YC	37	1	127-189	Knob, 1.58" Dia. x 1/2-13
4	1	692520	Element, Foam - 23HP	38	1	609-44	Boot, F-N-R Shifter
5	1	692519	Filter, Air - 23HP	39			<b>See Section 5.0 Steering &amp; Brake System</b>
6	1	110-18	Key 1/4 x 1/4 x 1.75 RC45	40	2	165-25	Disc, Brake, Service
7	1	805458	Spring	41	2	34-239	Coupler, Output Shaft
8	1	125-88	Spring, Return	42	1	606-103FG	Shaft, Output L - 11T - 650 HD
9	1	127-49	Spring, Return	43			<b>See Section 5.0 Steering &amp; Brake System</b>
10	2	805169	Screw-Hex Head (Briggs #)	44			<b>See Section 5.0 Steering &amp; Brake System</b>
11	2	221535	Clamp - Casing (Briggs #)	45	10	112-188	Bolt, Shoulder M10 x 30
12	1	601-86	Clip, Retainer	46	1	606-102	Shaft, Output R - 11T - 650 HD
13	1	126-95	Filter, Oil	47	10	117-77	Locknut, Nylon - M8 x 1,25mm Zn8
14			<b>See Section 3.0 Clutch System</b>	48	1	613-127	Magnet, Speedometer
15	1	127-159	Drive Belt-Frontier	49	10	108-05	Lockwasher 5/16 Split- Ring Zn
16			<b>See Section 3.0 Clutch System</b>	50	4	103-41	SHCS 3/8-16x1.25 Zn
17	1	110-03	Key 1/4 x 3/16 x 2.375 RC46				
18	1	112-164	HHCS 3/8-16 x 3.50 Gr5 Zn				
19	7	108-06	Lockwasher 3/8 Split Ring Zn				
20	2	108-58	Washer .47 x 1.37 x .12 Hi- Carbon - 650				
21	1	612-101	Cable Asm, Throttle				
22	2	117-68	Nut, Jam 3/8-24 UNF Zn				
23	1	108-32	Lockwasher 3/8 Int.Tooth Sleeve,				
24	1	607-172	Thermo Protect 1/2" ID HHCS,				
25	1	112-160	7/16-20 x 5" Lg - 650 Cable Asm,				
26	1	612-130	Choke				
27	1	108-84	Washer, Engine, Clutch 650				
28	4	117-21	Locknut, Nylon 5/16-18 Zn				
29	4	108-24	Washer .34 x 1.00 x .06 Zn				
30	2	112-189	HHCS 1/2-13 x 1.25 Gr5 Zn				
31	4	108-107	Lockwasher 1/2" High Alloy				
32	2	112-190	HHCS 1/2-13 x 3.0 Gr5 Zn Disc,				
33	2	165-22	Brake - Admiral				
34	2	100-127	Fitting, Grease STR 1/4-28 TPR (From S.N. 17093)				



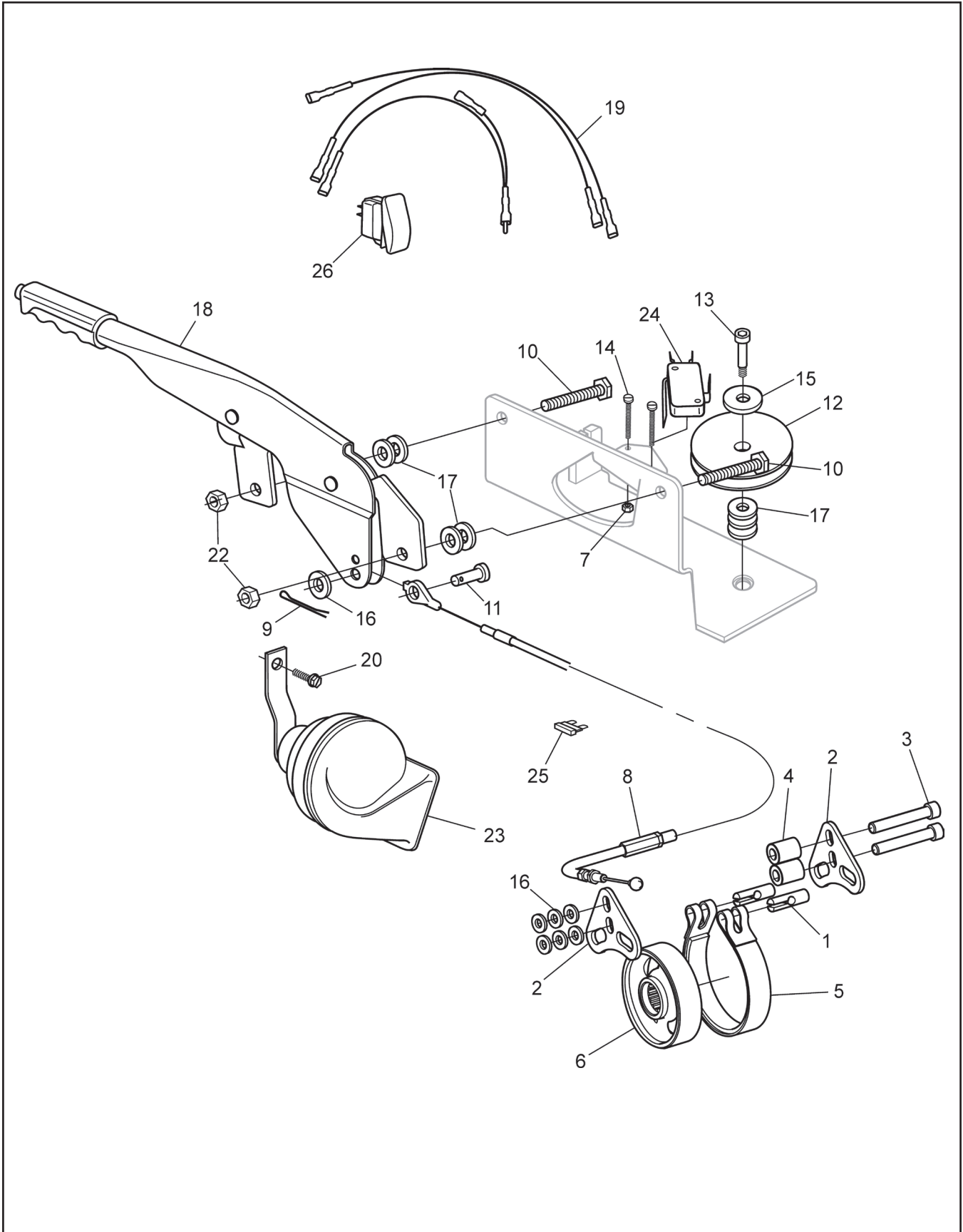
## 6x6 650 HD Parts Manual

## 5.0 Steering & Brake System

Ref.	Qty.	Part #	Description	Ref.	Qty.	Part #	Description
1	1	612-133	Frame Ass'y- Steering Column HDi	45		126-19	Fluid, Brake-Silicon Dot 5 - .35L
2	1	612-107	Handlebar Assembly	46	1	163-05	Hose Asm, Hydraulic - Left
3	1	165-08	Master Cylinder, Grimeca - R	47	1	163-06	Hose Asm, Hydraulic - Right - SS
4	1	165-07	Master Cylinder, Grimeca - L	48	2x2	160-42	Screw, FHMS M5 x 0,8 x 6mm
5	1	612-128	Shaft, Steering - Avenger	49	2x1	168-08	Cover
6	2	104-42	Pin, Spring 1/4 x 1.5"	50	2x1	168-09	Cover, Rubber
7	1	108-47	Washer, .39 x .94 x .13 Zn Di-chr	51	1	165-37	Piston Seal Kit - Wilwood
8	1	117-29	Locknut, Nylon 3/8-16 Zn	52	2x1	162-08	Spring, Comp. 17.3 x 49.3mm
9	2	612-124	Arm, Steering	53	2x1		Seal, Primary, 19mm (See Ref. 63)
10	1	612-106	Clamp, Lower Handlebar	54	2x1	168-10	Piston 19mm dia.
11	1	612-105	Clamp, Upper Handlebar	55	2x1		Seal, Secondary, 19mm (See Ref. 63)
12	1	106-07	Ring, Retaining SH-0075PA	56	2x1		Boot, Rubber (See Ref. 63)
13	2	112-194	Bolt, Banjo, M10x1.0, Double	57	2	812-30	Pin, Female
14	2	105-16	Bushing, Oilite - 3/4 x 1/2	58	2	117-03	Nut, Fin Hex 1/4-20 Zn
15	2	110-17	Key, 3/16 x 3/16 x .625	59	2	812-31	Fin, Male
16	1	117-21	Locknut, Nylon 5/16-18 Zn	60	2	112-02	SHSS 10-24x1/4 Knurl Cup PT, PL
17	2	112-47	SHCS, 1/4-20 x 1.0 Zn	61	4	165-38	Caliper Pin, Service Brake HDi
18	2	117-27	Locknut, Nylon 1/4-20 Zn	62	2x2	168-07	Pin, Cotter 1/8 x 3.00 Zn
19	1	112-155	C/Bolt 5/16-18x1.25 Gr2 Zn	63	2x1	161-25	O-Ring Kit - Master Cylinder - Grimeca (incl. Ref. 53, 55 & 56)
20	1	108-24	Washer, .34 x .70 x .06 Zn	64	4	160-44	Bolt, Banjo - M10 x 1,0 x 21,0
21	2	112-04	HHCS 1/4-20 x 3/4 Gr2 Zn	65	13	160-01	Washer, Copper - 1,5 x 10,0 x 14,0
22	2	108-03	Lockwasher 1/4 Split Ring Zn	68	1	165-43	Brake Line, Driver Side
23	2	103-66	HHCS, 1/4-20 x 4.0 Gr5 Zn	69	2	103-69	SHCS 1/4-20 x 1.5 Zn
24	4	108-08	Washer, .28 x .62 x .04 Zn	70	1	612-132	Bracket, LCD Gauge - Painted
25	2x8	108-24	Washer, .34 x .70 x .06 Zn	71	1	128-27	Grommet 1-1/4ID x 1-1/2x3/32
26	2	812-17	Collar	72	2	117-86	Nut, Acorn, 1/4-20 Zn
27	1	165-31	Handbrake, Left Hydraulic	73	3	117-85	Nut, Acorn, M5 Zn
28	1	165-42	Brake Line, Passenger Side	74	3	120-04	Washer .19 x .50 x .08 Zn
29	2	127-35	Grip, Molded				
30	1	127-81	Throttle Twist Grip				
31	1	612-101	Cable Asm, Throttle				
32	2	165-32	Caliper, Service (includes Ref. 44 & 61)				
33	1	166-10	Caliper, Hydraulic Brake - L w/o pads				
34	1	166-11	Caliper, Hydraulic Brake - R w/o pads				
35	2	161-05	O-ring Kit, Knott Caliper				
36	4		Seal, Piston				
37	2		Seal, Rubber				
38	2x1	168-20	Plug, Rubber				
39	2x1	168-02	Screw, Bleeding, Knott Caliper				
40	2x4	103-55	HHCS, 5/16-18 x 2.75 Gr5 Zn				
41	1	170-03	Pad Set (4), Brake - Non-Asbestos				
42	2x4	117-03	Nut, Fin Hex 5/16-18 Zn				
43	2x2	168-01	Piston, Knott Caliper				
44	1	165-36	Brake Pad (4) Replacement - Kit				

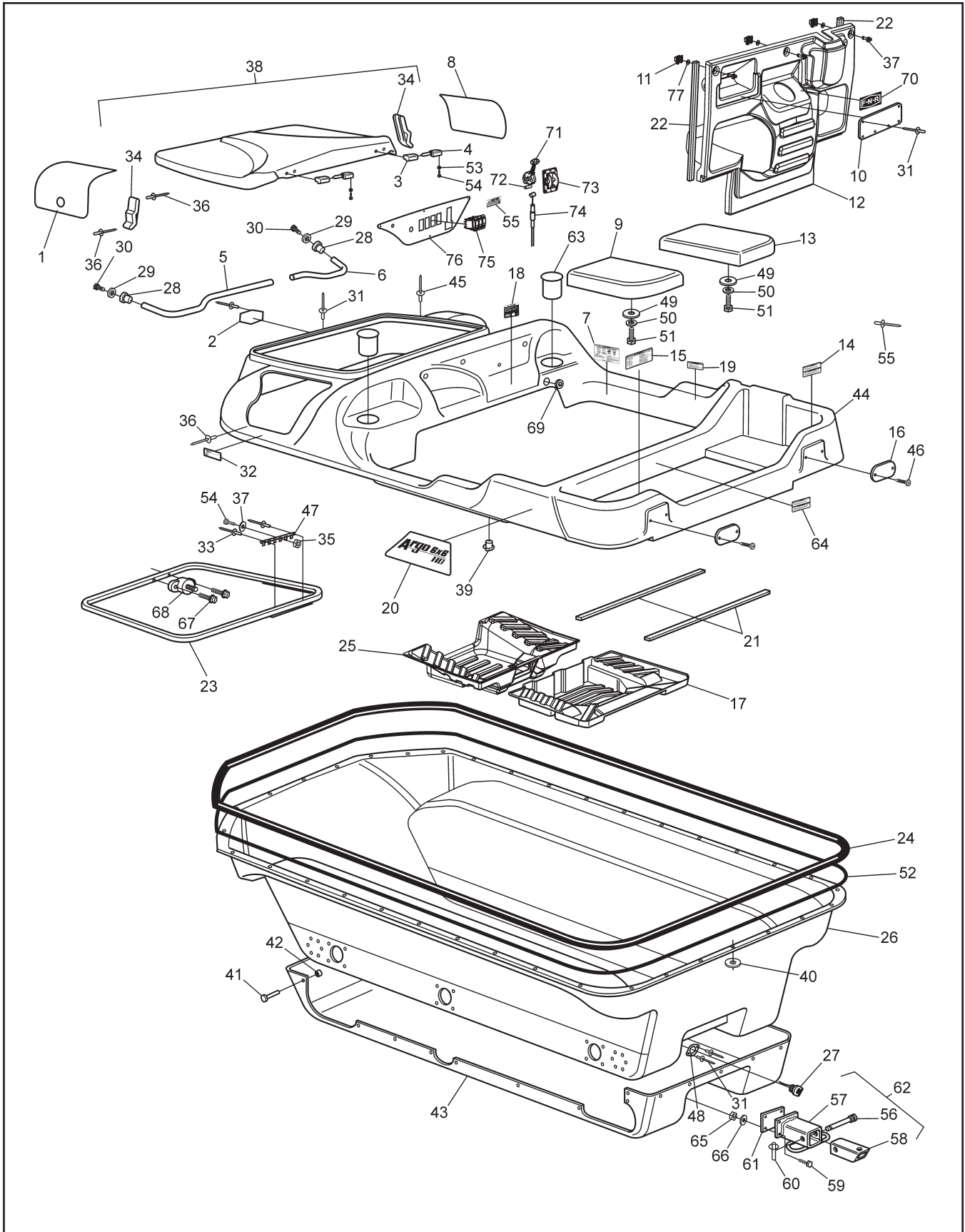
# 6.0 Parking Brake

# 6x6 650 HD Parts Manual





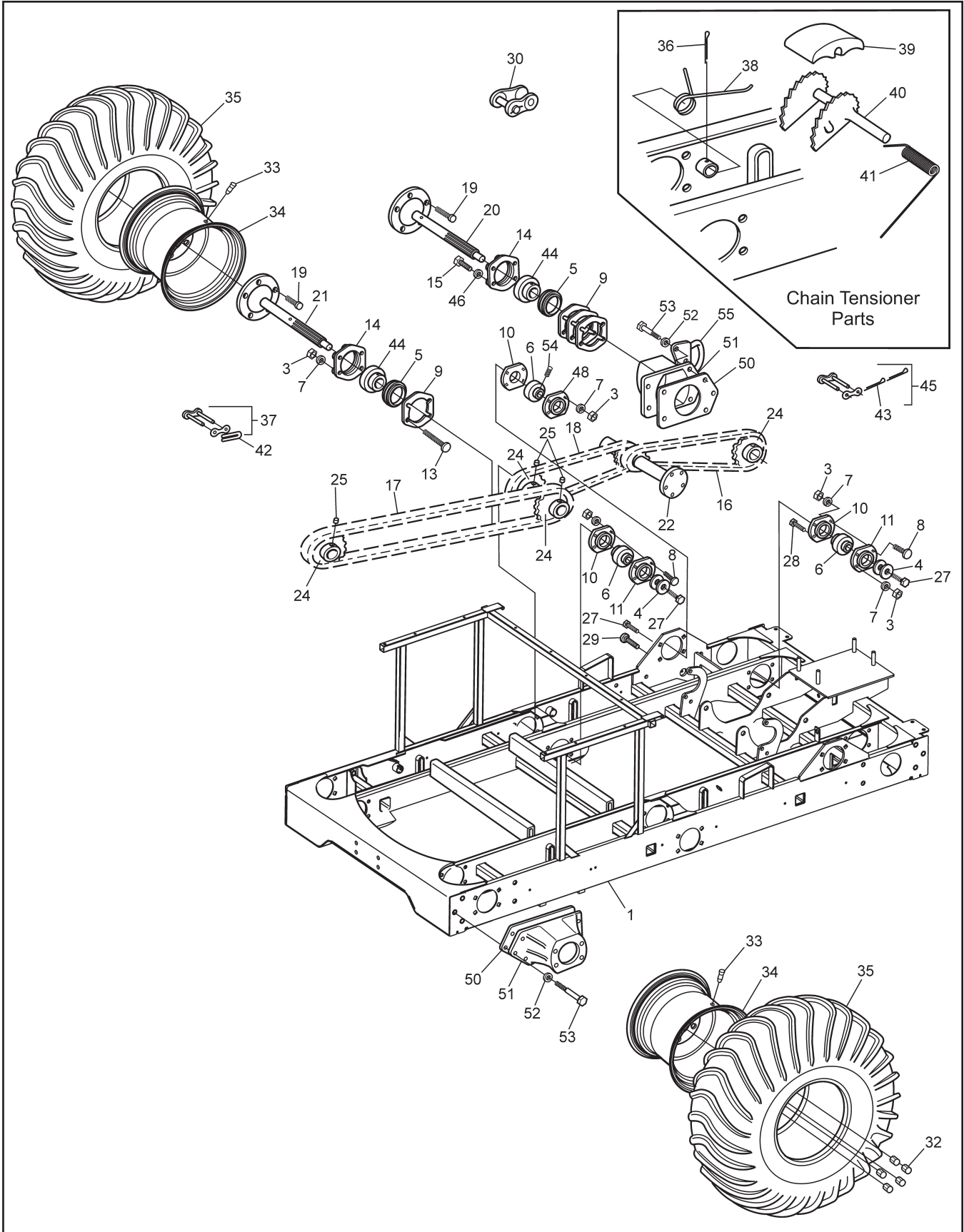
Ref.	Qty.	Part #	Description
1	2	104-57	Pin, Slotted .375 x 1.25
2	2	165-27	Bracket, E-Brake
3	2	112-185	SHCS 5/16 x 2.0 Zn
4	2	114-23	Spacer, .34 x .63 x .80
5	1	165-28	Band, Brake
6	1	34-243	Drum, E-Brake
7	2	112-173	Locknut, #5-40, Zn
8	1	165-33	Cable, Parking Brake - HDi
9	1	100-100	Pin, Cotter 1/8x3/4 Zn
10	2	103-06	HHCS 5/16-18x1.0 Gr5 Zn
11	1	104-27	Pin, Clevis 5/16x.75" Zn
12	1	850-79	Pulley, Parking Brake Cable
13	1	112-178	Bolt, Shoulder, 1/2 x 5/8
14	2	112-172	SHCS 5-40 x 3/4 Zn
15	1	108-35	Washer .53 x 1.06 x .09 Zn
16	6	108-24	Washer .34x.70x.06 Zn
17	7	108-47	Washer .39x.94x.13 Zn Di-Chro
18	1	809-147	Lever, Parking Brake
19	1	848-176	Harness, Horn Momentary*
20	1	112-19	Screw,IHWH T/C Slot 1/4-20x1/2*
22	6	117-21	Locknut, Nylon 5/16-18 Zn
23	1	848-87	Horn, Electric*
24	1	613-120	Switch, Micro, Lever
25	1	118-52	Fuse, 10A 2-Prong (AT010)*
26	1	848-175	Switch, Horn Momentary*
			*If equipped



## 6x6 650 HD Parts Manual

## 7.0 Vehicle Body & Firewall

Ref.	Qty.	Part #	Description	Ref.	Qty.	Part #	Description
1	1	707-43	Screen - Exhaust	43	1	603-98	Skid Plate, 6x6 - Black
2	1	601-44	Nameplate, "Argo"	44	1	601-124	Body & Hood 6x6 HD 650 (specify colour) (incl. 23, 33, 38)
3	2	127-45B	Knuckle, Hinge				
4	2	127-45A	Pin, Hinge				
5	1	601-103	Tube, Dash Handle, Pass.SD	45	109	120-09	Rivet 3/16 x 1 - Black
6	1	601-104	Tube, Dash Handle, Drv. SD	46	4	103-48	T/S Pan HD PHIL #10 x 5/8
7	1	126-68	Plate, Operation	47	1	613-37	Terminal Strip, Ground
8	1	707-42	Screen, Intake	48	2	100-114	Gasket, Drain Plug
9	1	601-03	Seat, Rear - Left - 6x6 - Black	49	2	603-15	Washer, Plastic 5/16 Hole
10	1	609-49	Glove Box, Firewall - 6x6 Adm.	50	2	108-01	Washer, Fender 1/4 BS x 1.25 OD
11	3	117-91	Receptacle, Q-Turn				
12	3	609-42	Firewall, Admiral	51	2	103-08	HHCS 1/4-20 x 1.0 Zn
13	1	601-02	Seat, Rear - Right - 6x6 - Black	52	1	126-60	Vinyl Strip, 1/2" x 1/4" x 37.5'
14	1	126-67	Plate, Floor Pan	53	8	108-59	Lockwasher #10 Int. Tooth Zn
15	1	127-173	Plate, Vehicle Capacity	54	9	103-47	HHCS 10-24 x 1/2
16	2	127-01	Reflector, Red	55	1	127-221	Label, Shift Warning
17	1	803-61	Floor Pan, Rear - Frontier	56	1	104-13	Pin, Toplink - 3/4 x 2.75
18	1	127-141	Label, Caution - Keyswitch	57	1	616-16	Hitch Assembly
19	1	126-69	Plate, Fuel	58	1	616-19	Tube, Hitch
20	2	127-214	Nameplate - 6x6 650 HD	59	4	103-61	HHCS 3/8-24 x 1.5 Gr5 Zn
21	2	601-106	Trim, Vinyl - 30" Black	60	1	104-11	Pin, Lynch - Ring
22	2	809-166	Seal, 15" Long	61	1	616-20	Gasket, Rear Hitch
23	1	602-53	Frame Ass'y, Hood - Front	62	1	626-10	Hitch Kit (Opt. on Frontier 480/ 580)
24	1	601-05	Bumper, Vinyl - 6x6				
25	1	803-63	Floor Pan, Front - HDi	63	2	100-109	Cup Holder Insert
26	1	603-99	Body, Lower - Frontier	64	1	127-51	Plate, Capacity 6x6
27	2	100-107	Plug, Drain - Flanged	65	4	117-24	Locknut, Nylon 3/8-24 Zn
28	2	113-12	Insert, 1/2-13	66	4	108-15	Washer .42 x .81 x .05 Zn
29	2	108-35	Washer .53 x 1.06 x .09 Zn	67	2	112-51	Screw, IHWH T/C #10-24x5/8
30	2	112-151	HHCS 1/2-13 x 1" Gr2 Zn	68	1	613-123	Post, Power, 5/16-18, Red
31	29	120-13	Rivet, 3/16 x 3/4 Black	69	1	128-26	Grommet, 1-1/2ID x 1-3/4x1/4
32	1	127-144	Label, Warning - HOT	70	1	127-200	Label, F-N-R-HDi
33	2	120-15	Rivet - 1/8 x 7/16	71	1	127-212	Pivot, Hi-Lo Shifter
34	2	602-56	Latch, Hood - Soft Draw	72	1	104-57	Pin, Slotted - .375 x 1.25
35	1	117-10	Locknut, 10-24 N/I Zn	73	1	127-211	Bracket, Hi-Lo Shifter
36	3	120-11	Rivet, 5/32 x .157-.472	74	1	127-198	Cable, Hi-Lo Shifter
37	3	112-193	Stud, Q-Turn	75	1		<b>See Section 10.0 Electrical System</b>
38	1	602-57	Hood Kit - Frontier & HD (specify colour) (incl. 3, 4, 34, 36, 53, 54)	76	1	601-121	Panel, Dash - 6x6 Adm
39	2	117-44	T- Nut 1/4-20 Zn	77	3	114-24	Retainer, Q-Turn Washer
40	84	120-04	Washer .19 x .50 x .08 Zn				Note: For ultra chrome add UC to part #
41	26	120-27	Pin, Magna Grip (if equipped)				
42	26	120-28	Collar, Magna Grip (if equipped)				

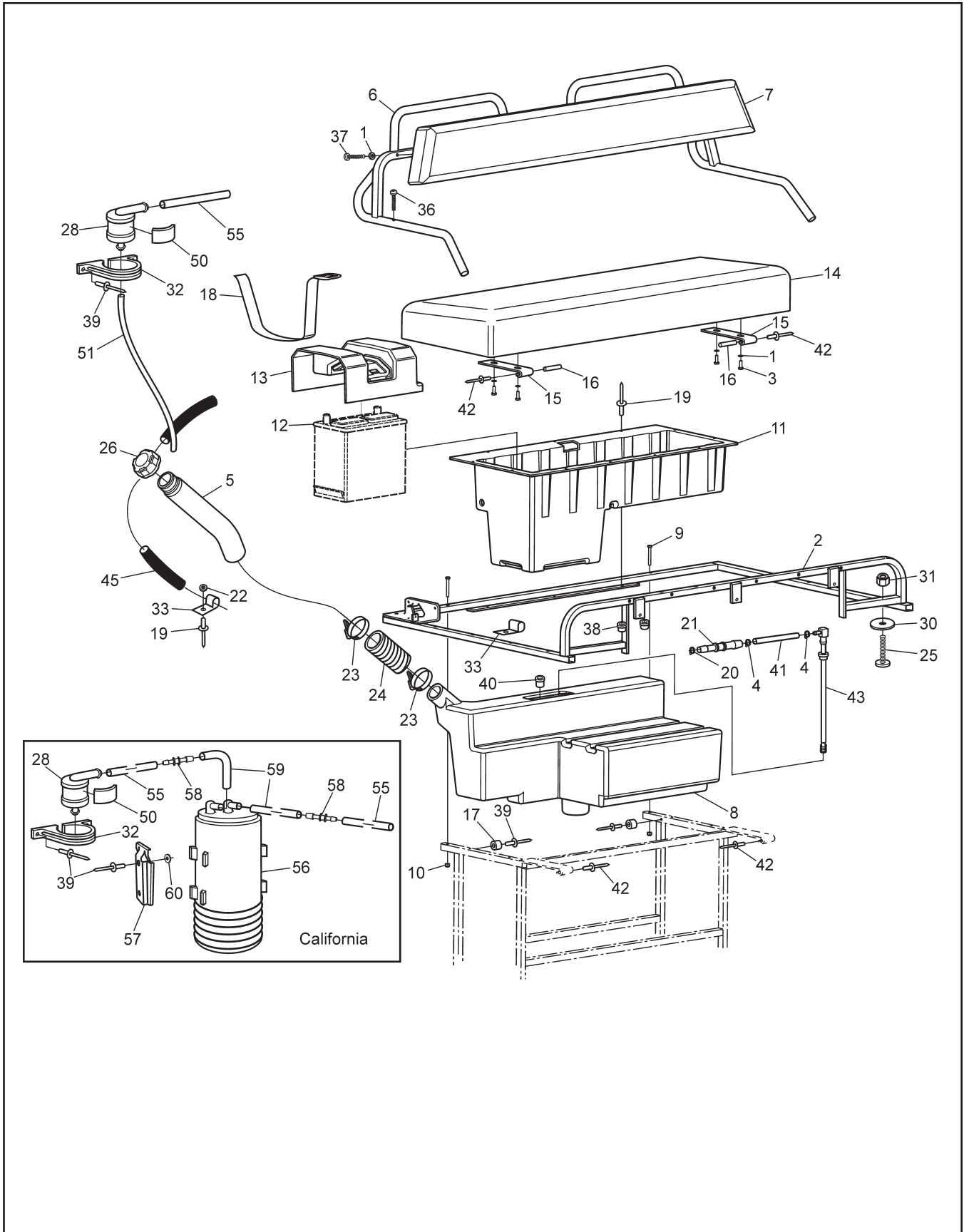


## 6x6 650 HD Parts Manual

## 8.0 Frame and Drive System

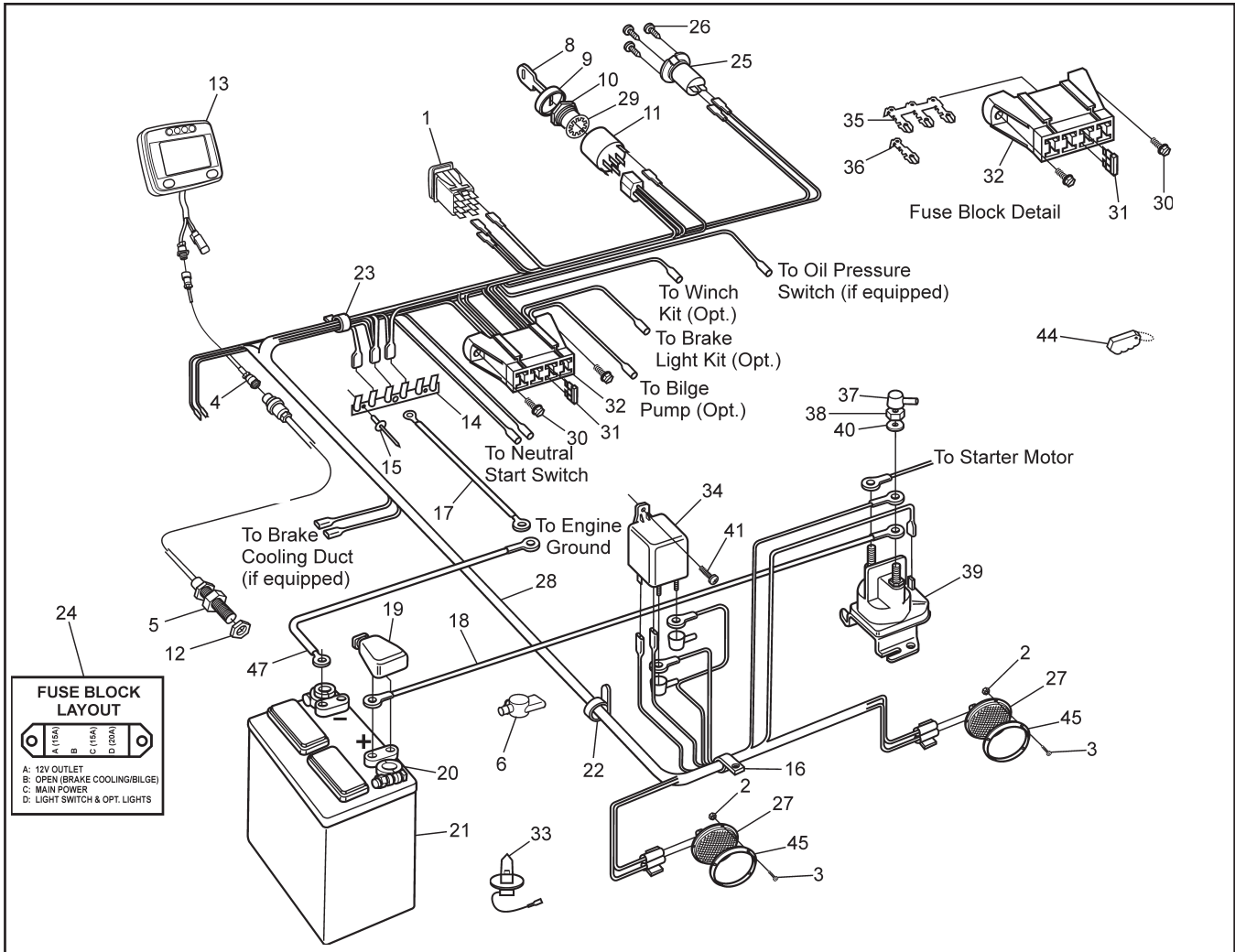
Ref.	Qty.	Part #	Description	Ref.	Qty.	Part #	Description
1	1	604-132	Frame Asm - 6x6 Adm.	48	2	606-93	Flange, Greaseable - 90 Deg Hd
3	38	117-29	Locknut, Nylon 3/8-16 Zn	50	4	606-25	Gasket - Bearing Extension
4	12	108-46	Washer .40 x 1.37 x .12 Hi-Carbon	51	4	810-112	Bearing Extension w/nuts
5	6	606-89	Carrier, Axle Bearing	52	20	108-34	Washer .47 x .94 x .06 Zn
6	8	101-41	Bearing, Ball - 1.0	53	20	112-181	HHCS 7/16-20 x 1.5 Gr5 Zn
7	56	108-15	Washer, .42 x .81 x .05 Zn	54	4	112-60	SHSS 1/4-28 x 1/2 Cup Pt.
8	23	103-88	C/Bolt 3/8-16 x 1.0 Gr5 Zn	55	2	642-47	Tie Down Bracket
9	12	606-90	Gasket, Flange - 72mm				
10	14	606-91	Flange - 4 Hole Hd				
11	10	606-92	Flange, Greasable - 4 Hole Hd				
13	24	112-187	C-Bolt 3/8-16x2.0 Gr5 Zn				
14	6	606-88	Flange Ass'y, Outer Bearing				
15	16	103-68	HHCS 3/8-16 x 2.0 Gr5 Zn				
16	2	606-100	Chain, RC60 - 1 x 40P				
17	2	606-47	Chain, RC60 - 1 x 96P				
18	2	606-101	Chain, RC60 - 1 x 68P				
19	5x6	112-183	Stud, Wheel 7/16-20x1.5				
20	2	810-92	Axle Ass'y - Front/Rear - HD				
21	4	810-113	Axle Ass'y - Mid. - HD				
22			<b>See Section 4.0 Power Pack Assembly</b>				
24	8	606-34	Sprocket, S60 x 19T				
25	6	112-03	SHSS 5/16-18 x 3/8 1/2 DOG, PL				
27	10	112-31	HHCS 3/8-16 x 1.0 2B Gr8 Zn				
28	1	103-82	HHCS 3/8-16 x 1.5 Gr5 Zn				
29	4	112-61	C/Bolt 3/8-16 x 1.25 Gr5 Zn				
30		127-80	Link, Half - RC60 - 1 (opt.)				
32	5x6	117-35	Nut, Wheel 7/16-20 Zn				
33	6	125-26	Valve, Tire				
34	6	125-13BL	Rim - 8x7, 5 Bolt - Black				
35	6	127-158	Tire, Argo 24 x 10-8				
36	4	100-01	Pin, Cotter 1/8 x 1.50 Zn				
37	1x6	603-84	Con. Link, RC60-1 H.D.				
38	4	127-65	Spring Torsion - 1.16x0.35				
39	4	606-44	Slider Block				
40	4	606-82	Tensioner Asm, Chain				
41	4	127-64	Spring, Torsion - .76 x 1.9				
42	6	603-96	Spring Clip - RC 60 Closed				
43	4	104-35	Pin, Cotter 2mm x 12mm				
44	6	101-95	Bearing, Ball -1.25 x 72mm				
45	2	127-188	Link, Con. #60 Lambda				
46	12	108-06	Lockwasher 3/8 Split-RingZn				

# 9.0 Fuel System & Seat Assembly 6x6 650 HD Parts Manual



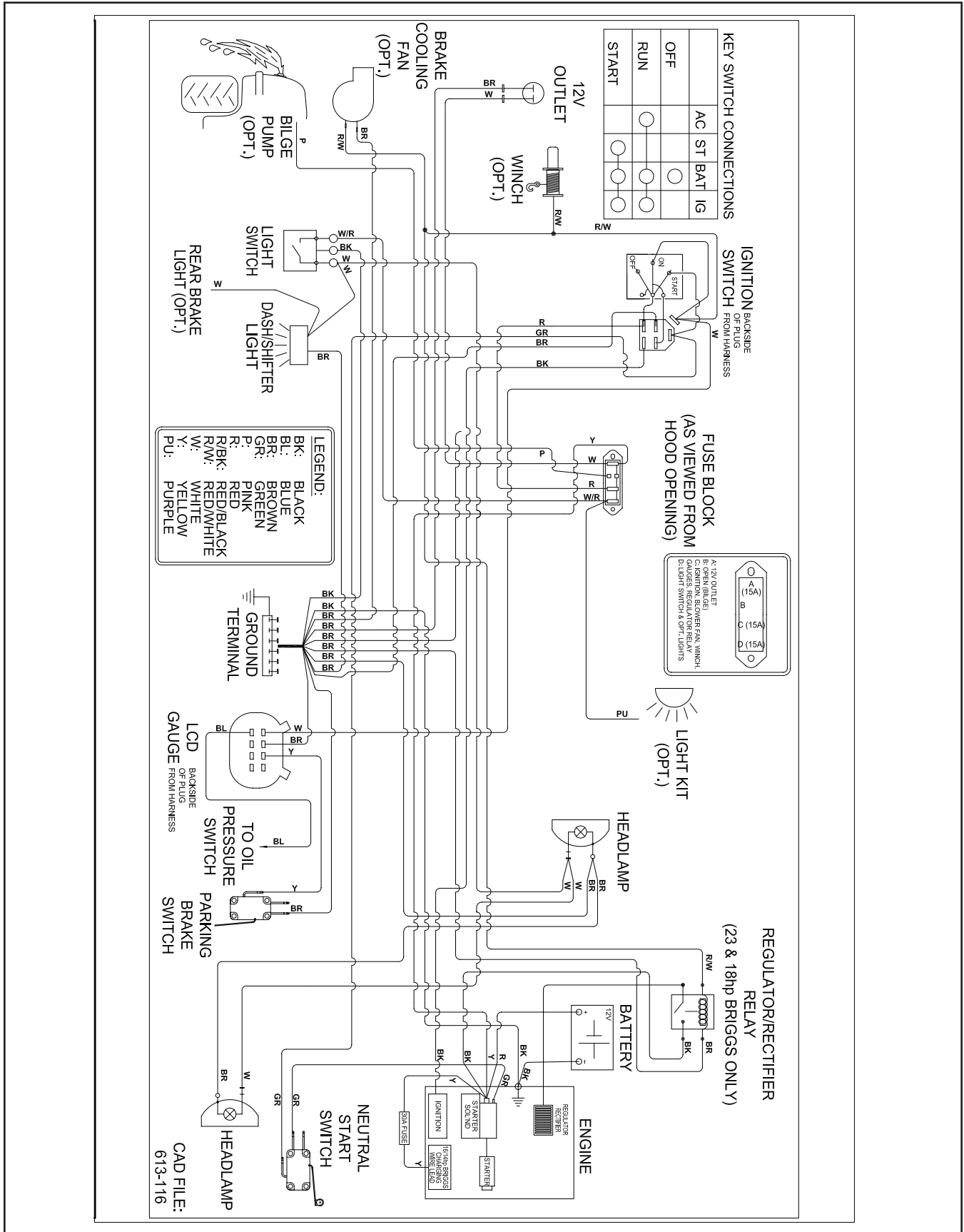
# 6x6 650 HD Parts Manual 9.0 Fuel System & Seat Assembly

Ref.	Qty.	Part #	Description	Ref.	Qty.	Part #	Description
1	8	108-03	Lockwasher 1/4 Split Ring Zn				
2	1	608-142	Frame Assembly, Seat - 6x6 Adm.	8	1	608-120	<b>United States Vehicle Kit</b> Tank, Fuel Low Permeation
3	4	112-04	HHCS 1/4-20x3/4 Gr2 Zn	1	1	127-273	Plate, Serial Blank Double
4	2	112-78	Clamp, Hose, 9/16	1	1	127-274	Label, U.S EPA EVAP Approval
5	1	608-140	Fuel, Fill Neck Ass'y	53	2	120-24	Rivet, Alum - 3/32 x 3/8 Black
6	1	608-76	Frame Assembly, Backrest				
7	1	608-39	Back Pad Assembly				
8	1	608-122	Tank, Fuel Single Layer				<b>California Vehicle Kit</b>
9	2	103-77	HHCS, 1/4-28 x 2.0	8	1	608-120	Tank, Fuel Low Permeation
10	2	117-01	Locknut, Nylon 1/4-28 Zn	1	1	127-273	Plate, Serial Blank Double
11	1	608-54	Toolbox	1	1	127-274	Label, U.S EPA EVAP Approval
12	1	127-54	<b>See Section 10.0 Electrical System</b>	39	2	120-13	Rivet - 3/16 x 3/4 Black
13	1	608-55	Cover, Battery	53	4	120-24	Rivet, Alum - 3/32 x 3/8 Black
14	1	608-88	Seat Assembly, Bench - Thick				
15	2	608-81	Hinge, Seat, Bolted	1	1	127-275	Label, Carb EVAP Approval
16	2	104-43	Pin, 3/16" x 1-1/8"	55	1	126-101RM	Hose, Vent 3/16" ID
17	2	126-102	Bumper, Recessed Hole	56	1	609-45	Carbon Canister 800cc
18	1	608-56	Strap, Battery	57	1	609-46	Bracket, Carbon Canister
19	17	120-09	Rivet 3/16x1 - Black	58	2	609-48	Reducer, Barbed 1/4" to 3/16"
20	4	112-79	Clamp, Hose, 1/2" - Black	59	2	127-160-3	Hose, 1/4ID x 3/8OD - 3" Long
21	1	808-133	Reducer, 5/16" to 1/4" Barbed	60	2	120-05	Washer .19x.50x.04 Zn
22	8	120-04	Washer .19 x .50 x .08 Zn				
23	2	100-12	Clamp, Gear 2.25" HF-36				
24	1	125-94	Hose, Filler				
25	10	112-07	RHMS 10-24 x 1.50 Zn				
26	1	126-100	Cap, Fuel				
27	1	127-21	Hose, Vent - 109"				
28	1	609-47	Valve, Rollover				
30	10	108-42	Washer .21 x 1.0x.06 Zn				
31	14	117-10	Locknut, Nylon #10-24 Zn				
32	1	609-50	Clamp, Rollover Valve				
33	9	126-93	Clamp, Nylon Wire - 1/2" ID				
36	2	112-41	PHMS, Phil 1/4-20 x 1.25 Zn				
37	4	103-03	PHMS, Phil 1/4-20 x 1.50 Zn				
38	2	117-64	Insert, 1/4-20 Steel Cad Pltg.				
39	6	120-13	Rivet, 3/16 x 3/4 Black				
40	1	808-123	Plug, Nylon, 1/4 - NPT				
41	2"	608-69RM	Hose, Fuel - 5/16" ID Carb				
42	4	120-31	Rivet, 3/16" x 1/4, Open End				
43	1	608-127	Pick-up, Fuel, 5/16 105 Mesh				
45	1	608-66	Hose, Fuel 1/4" ID, 80"				
50	1	126-60	Vinyl Strip 1/2" x 1/4"				
51	6'	127-160RM	Tubing, 1/4 ID Clear Plastic				



Ref.	Qty.	Part #	Description	Ref.	Qty.	Part #	Description
1	1	613-153	Switch, Light	24	1	127-154	Label, Fuse Panel
2	8	117-93	Nut, Speed #10	25	1	613-90	Outlet, 12 V DC
3	8	112-198	T/S Pan Hd Phil #10 x 1.25 Blk.	26	3	112-139	#4 Phil Drive Oval Head Screw,Blk
4	1	613-128	Cable, Extension, Speedo Pickup	27	2	613-159	Headlight - 3.75W
5	1	613-126	Sensor, Speedo Pickup	28	1	613-116	Wire Harness
6	1	613-124	Insulator, 2 Way w/cap, Red	29	1	114-26	Lockwasher, 5/8 Int. Tooth
7	1	118-30	Terminal, Eye - #10	30	2	112-51	Screw, IHWH T/C #10-24x5/8
8	2	127-108	Key, Molded	31	3	118-49	Fuse, 15 A 2-prong (AT015)
9	1	127-107	Cover, Nut	32	1	118-60	Block Fuse - 8 position (4 fuse)
10	1	127-106	Nut, Flanged - Plastic	33	2	127-46	Bulb, Headlight - Halogen
11	1	127-105	Switch - Ignition	34	1	613-98	Relay, 80 Amp (if equipped)
12	1	117-87	Nut, M12 x 1.25, Zn	35	1	118-63	Terminal, Fuse - Triple
13	1	613-130	Gauge, LCD	36	5	118-62	Terminal, Fuse - Single
14	1	613-37	Terminal Strip, Ground	37	3	613-45	Insulator, Terminal (6 ga.)
15	2	120-15	Rivet 1/8 x 7/16	38	3	117-20	Nut, Fin. Hex 1/4-20 Zn
16	4	127-24	Clamp, Nylon - 1" ID	39	1	613-68	Starter Relay
17	1	613-14	Wire, Ground - 14"	40	1	108-03	Lockwasher 1/4 Split Ring Zn
18	1	613-94	Wire, Positive Battery	41	1	103-48	T/S Pan Hd Phil #10x5/8 A Blk
19	1	127-55	Cap, Battery Terminal - Red	44	1	681-00	FOB, Key - Floating
20	2	127-56	Terminal, Battery Post	45	2	613-152	Bezel, Headlamp
21	1	127-54	Battery, Exide 45-60	47	1	613-95	Wire, Negative Battery
	1	613-161	Battery, Optima - Argo (Opt.)				
22	8	100-64	Tie Wrap - 5.5" - Black				
23	13	126-93	Clamp, Nylon Wire - 1/2" ID				





# **ARGO** Products Manufactured by:

## **Ontario Drive & Gear Limited**

220 Bergey Court

New Hamburg, Ontario

Canada N3A 2J5

Phone: (519) 662-2840

Fax: (519) 662-2421

[www.argoatv.com](http://www.argoatv.com)

**ODG** *Dedicated to quality and performance*