

Argo 6x6
Frontier 650

Argo 6x6
Frontier 580

Argo 6x6
Frontier 480



Argo 6x6

Frontier

PARTS MANUAL

From Serial # ...15862

Foreword

ODG has prepared this parts manual for the FRONTIER model to assist both qualified mechanics and vehicle owners in ordering correct, quality replacement ARGO parts. For the most current parts manual visit our website at www.argoatv.com.

Proper and regular service, and replacing old, worn or broken parts with the correct ARGO replacement parts, are both essential to prolonging the life of the ARGO. Please refer to this parts manual and/or our website www.argoatv.com before ordering any replacement part.

All information contained in this FRONTIER Parts Manual is based on the latest product specification available at time of printing. If your FRONTIER differs from the specifications contained in this manual, check our website www.argoatv.com for the most current information.

ODG reserves the right to alter specifications on the FRONTIER model at any time, without obligation or prior notification.

Reproduction of this FRONTIER Parts Manual, in whole or in part, is prohibited without prior written permission from Ontario Drive & Gear Limited.

Vehicle Identification

FRONTIER - Serial Nos. ...15862

Explanation of Parts Manual Format

- Ref** - Reference number between assembly diagram and component parts list
- Part No.** - Argo replacement part number for identification and re-ordering
- Description** - Part description for identification and re-ordering
- Qty** - Indicates the quantity of a part used in an assembly

Argo 6x6
Frontier 650

Argo 6x6
Frontier 580

Argo 6x6
Frontier 480

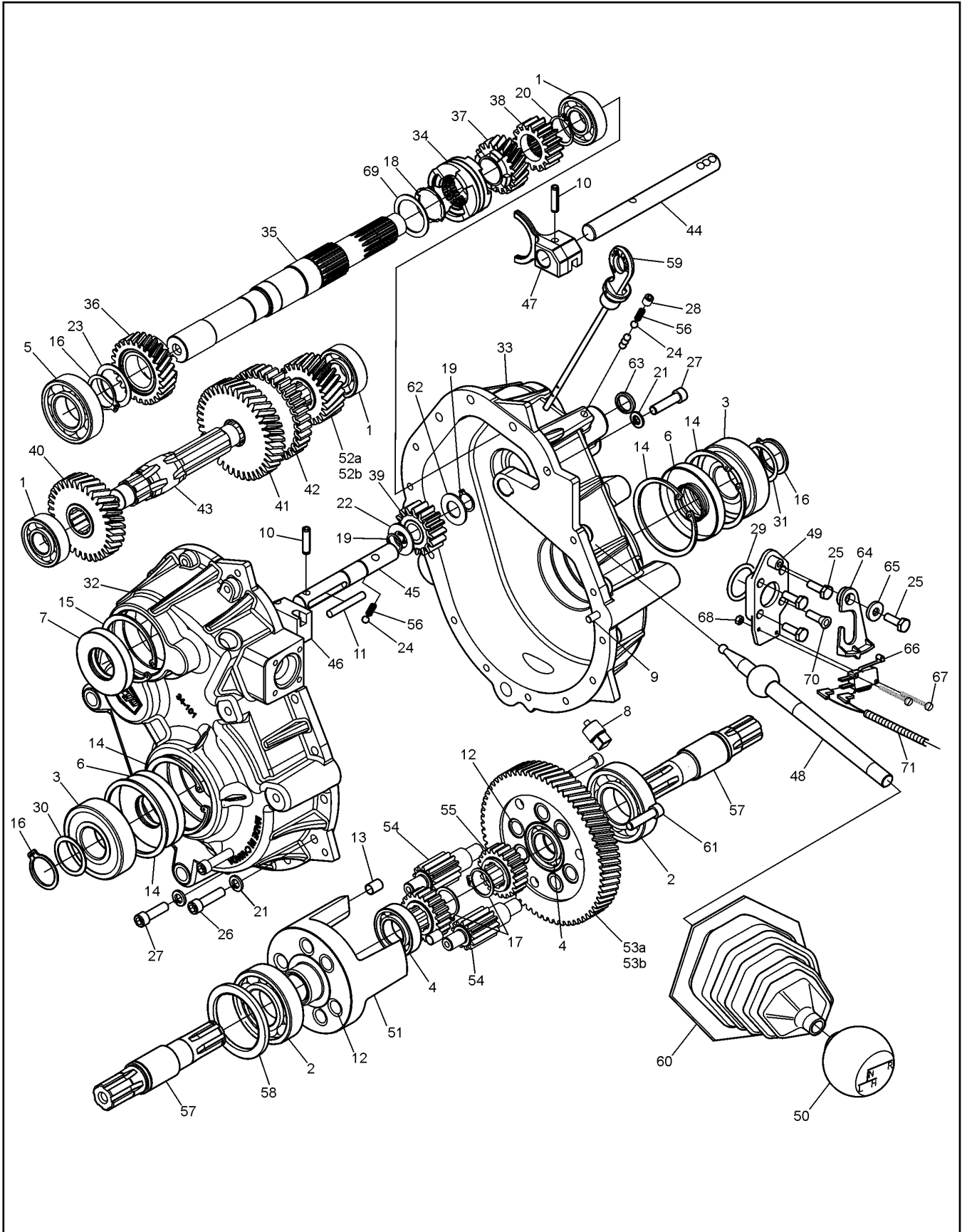


Using the Parts Manual

1. Find the major vehicle assembly in the Table of Contents on this page, and turn to that section.
2. Locate the part in the illustration that you wish to order.
3. Refer to the parts list in that section.
4. Find the correct part number (Part No.), part description (Description) and correct quantity (Qty).
5. Use *only* this information to order ARGO replacement parts. *DO NOT* attempt to order a replacement part by reference number or page number.

Table of Contents

Foreword	i
Vehicle Identification.....	i
Using the Parts Manual	ii
1.0 Transmission	1
2.0 Intake and Exhaust System.....	3
3.0 Clutch System	5
4.0 Power Pack Assembly	7
5.0 Steering & Brake System	9
6.0 Parking Brake	11
7.0 Vehicle Body & Firewall.....	13
8.0 Frame & Drive System	15
9.0 Fuel System & Seat Assembly	17
10.0 Electrical System.....	19

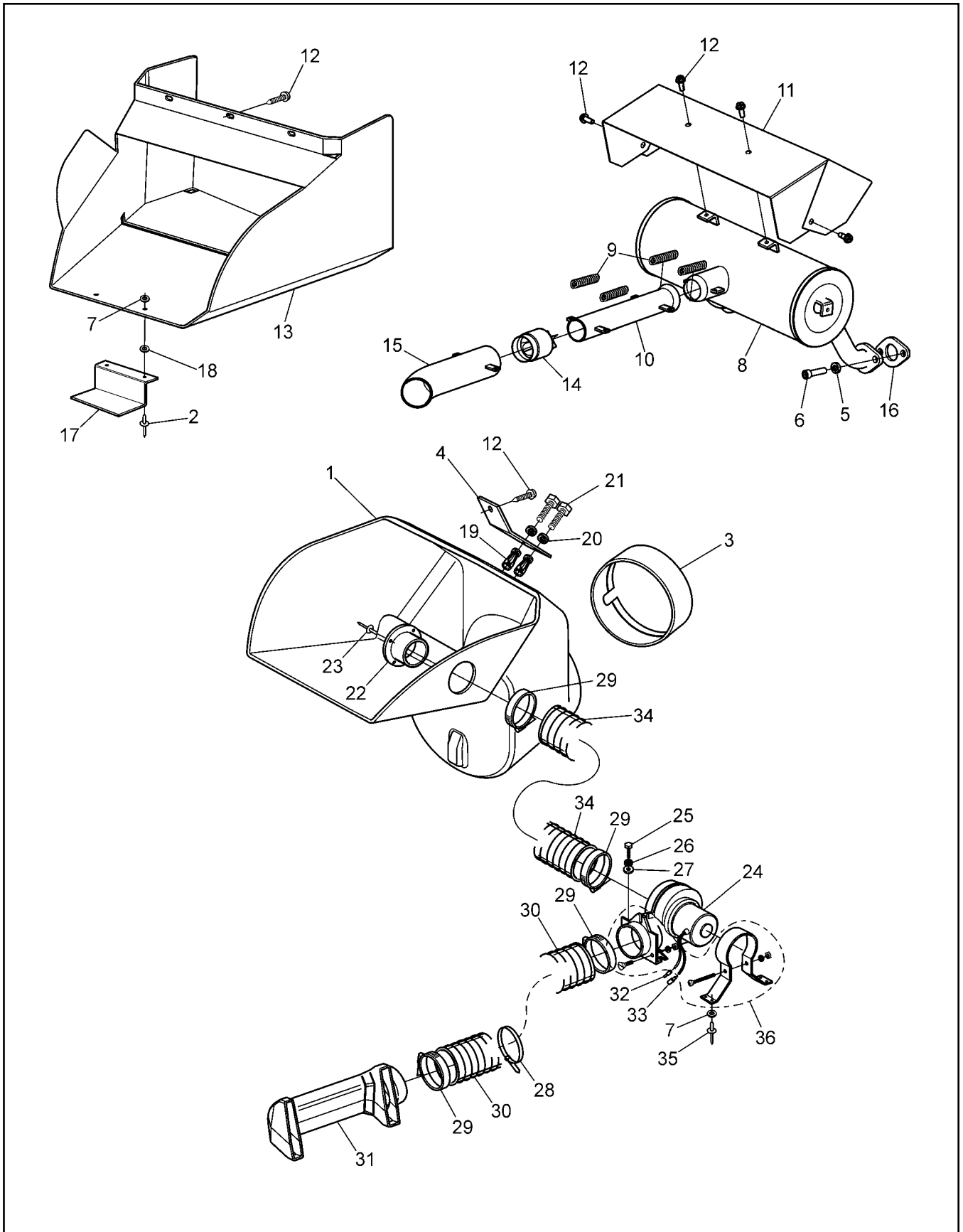


6x6 Frontier Parts Manual

1.0 Transmission

Ref.	Qty.	Part #	Description	Ref.	Qty.	Part #	Description
	1	34-100	Transmission Assembly	40	1	34-109	Gear, Helical - HI 12DP 33T
	1	34-100-3.3	Transmission Assembly	41	1	34-110	Gear, Helical - LOW 12DP 39T
1	3	101-01	Bearing, Ball 6204Z-C3	42	1	34-111	Gear, Reverse - 10DP 33T
2	2	101-03	Bearing, Ball 6207-C3	43	1	34-112	Shaft, Spline
3	2	101-05	Bearing, Ball 6306LLU-C3/2A	44	1	34-113	Shaft, Shift - Forward
4	2	101-15	Bearing, Ball 6005-C3	45	1	34-114	Shaft, Shift - Reverse
5	1	101-16	Bearing, Ball 6206-C3	46	1	34-115	Block, Shift
6	2	102-03	Seal,Oil WBS 30x72x10 NB D/LIP	47	1	34-116	Fork, Shift
7	1	102-05	Seal,Oil WBS 30x62x10 NB D/LIP	48	1	34-117	Lever, Shift
8	1	103-02	Plug, Magnetic 3/8-18NPT SQ.HD	49	1	34-131	Plate, Shifter
9	2	104-03	Pin, Dowel 1/4x7/8	50	1	34-121	Knob, Shift - w/Argo Logo
10	2	104-39	Pin, Spring - 1/4 x 1.0	51	1	34-122	Cage, Differential
11	1	104-40	Pin, Dowel - 1/4 x 1.75	52a	1	34-123	Pinion, Helical - 25T - 2.6
12	12	105-03	Bushing, Oilite - 1/2x3/4	52b	1	34-125	Pinion, Helical - 21T - 3.3
13	3	105-23	Bushing, Dowel - .312 x .5	53a	1	34-124	Gear Plate - 66T - 2.6
14	4	106-03	Retaining Ring HO-281PA	53b	1	34-126	Gear Plate - 70T - 3.3
15	1	106-05	Retaining Ring HO-244-PA	54	6	34-13	Gear, Planet - 12T
16	3	107-02	Retaining Ring SH-0118-PA	55	2	34-14	Gear, Sun - 21T
17	2	107-04	Retaining Ring SH-0098-PA	56	2	34-32	Spring, Comp. 0.22x.50
18	1	107-14	Retaining Ring LC-125-PA	57	2	34-98	Shaft, Output - Splined
19	2	107-11	Retaining Ring	58	1	114-01	Washer, Shim 2.25 x 2.81 x .02
20	1	107-15	Retaining Ring SHR-098-PA	59	1	CE-035	Dipstick - with Breather - 190mm
21	15	108-05	Lockwasher 5/16 Split Ring Zn	60	1	609-38	Boot, Shifter
22	1	108-78	Washer, Thrust	61	3	112-64	SHCS, 5/16-18 x 1.25
23	1	108-79	Washer, Thrust	62	1	108-81	Washer, Retaining Thrust
24	5	109-05	Ball, Steel 6mm 62-67 Rc	63	1	113-16	O-Ring #AS568-014-70BN 5/8"OD x 1/2"ID x 1/16" Thk
25	4	112-04	HHCS 1/4-20x3/4 Gr2 Zn	64	1	34-132	Follower, Neutral Start
26	14	112-143	SHCS 5/16 x 1.25 Zn	65	1	108-08	Washer, .28 x .62 x .07 Zn
27	1	112-144	SHCS 5/16 x 1.0 Zn	66	1	809-202	Switch, Limit - Two Pole
28	1	112-145	SHSS 5/16 - 18 X 3/8	67	2	112-172	SHMS, #5-40x3/4 Zn
29	1	113-11	O-Ring #AS568-216-70BN	68	2	117-173	Locknut, #5-40 Zn
30	1	114-04	Washer, Shim 1.19x1.50x.04	69	1	108-85	Washer, Retaining Thrust
31	1	114-05	Washer, Shim 1.19x1.50x.02	70	1	112-171	FHSC 1/4-20 x 3/4 Gr2 Zn
32	1	34-101	Housing, Transmission - L	71	1	613-112	Wire Harness, Neutral Start
33	1	34-102	Housing, Transmission - R				
34	1	34-127	Clutch, Dog				
35	1	34-130	Shaft, Input - 19/15T Spline				
36	1	34-128	Pinion, Helical - HI 12DP 26T				
37	1	34-129	Pinion, Helical - LO 12DP 20T				
38	1	34-107	Pinion, Reverse - 10DP 16T				
39	1	34-108	Gear, Idler - Rev - 10DP 16T				

2.0 Intake and Exhaust System 6x6 Frontier Parts Manual

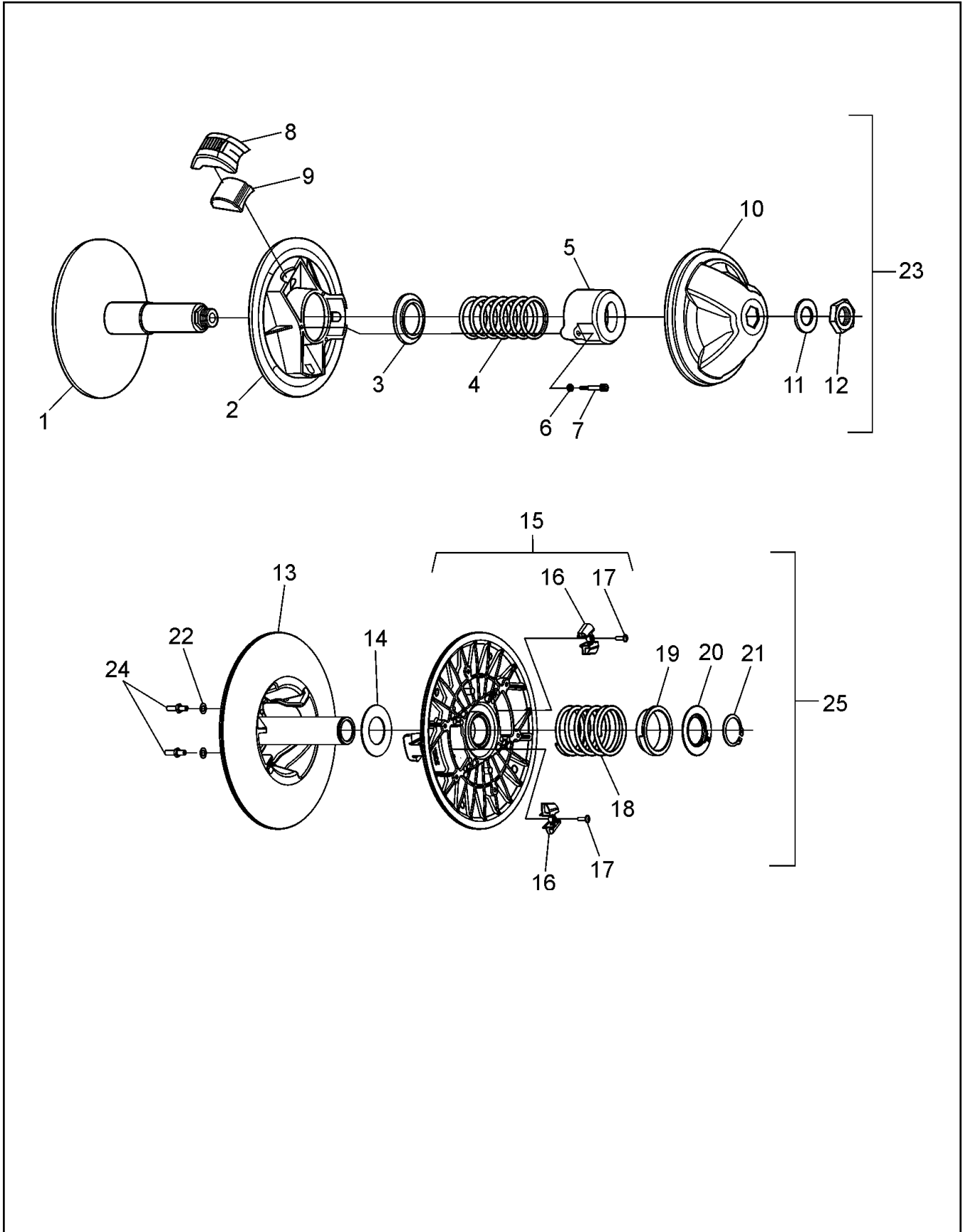


6x6 Frontier Parts Manual 2.0 Intake and Exhaust System

Ref.	Qty.	Part #	Description
1	1	809-07	Duct, Intake - Frontier
2	2	120-31	Rivet, 3/16 x 1/4". Open End
3	1	603-82	Seal, Argo Air Intake Duct - 580/650
	1	610-123	Seal, Intake Duct, Argo 480
4	1	809-08	Bracket, Intake Duct
5	4	108-02	Lockwasher 5/16 Hi-Collar Bare
6	4	112-30	SHCS M8 x 1,25 x 20mm Zn
7	6	120-04	Washer, .19 x .50 x .08 Zn
8	1	807-135	Muffler, B&S 23HP Ass'y - 650
	1	807-137	Muffler, B&S 16HP Ass'y - 480/580
9	4	126-57	Spring, Extension - 7/16 x 2.14
10	1	607-125	Tube Ass'y, Muffler, Flared - 650
	1	807-92	Pipe, Muffler Tail - B&S - 480/580
11	1	807-85	Shield, Heat - Muffler
12	8	112-19	Screw, IHWH T/C Slot 1/4-20 x 1/2
13	1	607-129	Duct, Exhaust
14	1	607-126	Spark Arrester, 1.75 Dia. - 650
	1	807-67	Spark Arrester
15	1	607-117	Pipe, Tail - Asm - 650
	1	807-89	Tube, Tailpipe Outlet
16	2	805024	Gasket, Exhaust Manifold - 480/580
	2	806425	Gasket, Exhaust Manifold - B&S 23 HP
17	1	707-45	Support, Exhaust Duct
18	2	125-58	Washer, Fibre - W-77F
19	2	117-53	Nut, Jack 1/4-20 8L-JNS Zn
20	2	108-03	Lockwasher 1/4 Split Ring Zn
21	2	103-97	HHCS 1/4-20 x 1.25 Gr5 Zn
22	1	127-171	Adapter, 3" Hose*
23	4	120-11	Rivet, 5/32 x 9/16 Black*
24	1	125-91	Blower Fan*
25	4	103-47	HHCS, #10-24 x 1/2*
26	4	120-05	Washer, .19 x .50 x .04*
27	4	108-59	Lockwasher #10 Int. Tooth*
28	1	100-102	Tie Wrap, 14" - White*
29	4	125-35	Clamp, Gear 3.50" HF-52*
30	1	127-139	Hose, Brake Fan Discharge
31	1	127-134	Duct, Brake Cooling*
32	1	118-02	Terminal, Male #76-1251*
33	1	118-03	Terminal, Female #76-1289*
34	1	127-140	Hose, Brake Fan Inlet*
35	4	120-09	Rivet, 3/16 x 1.0 Black*
36		125-92	Adpt. & Mounting Kit* - includes the following:
	1		Mounting Bracket
	1		Nut, #10-32
	1		Lockwasher, 3/16"
	1		Screw, #10-32x2"
	2		Nut, 1/4-20
	2		Lockwasher, 1/4"
	2		Screw, 1/4-20x5/8"
	1		Adaptor, 3" dia.
			* If equipped

3.0 Clutch System

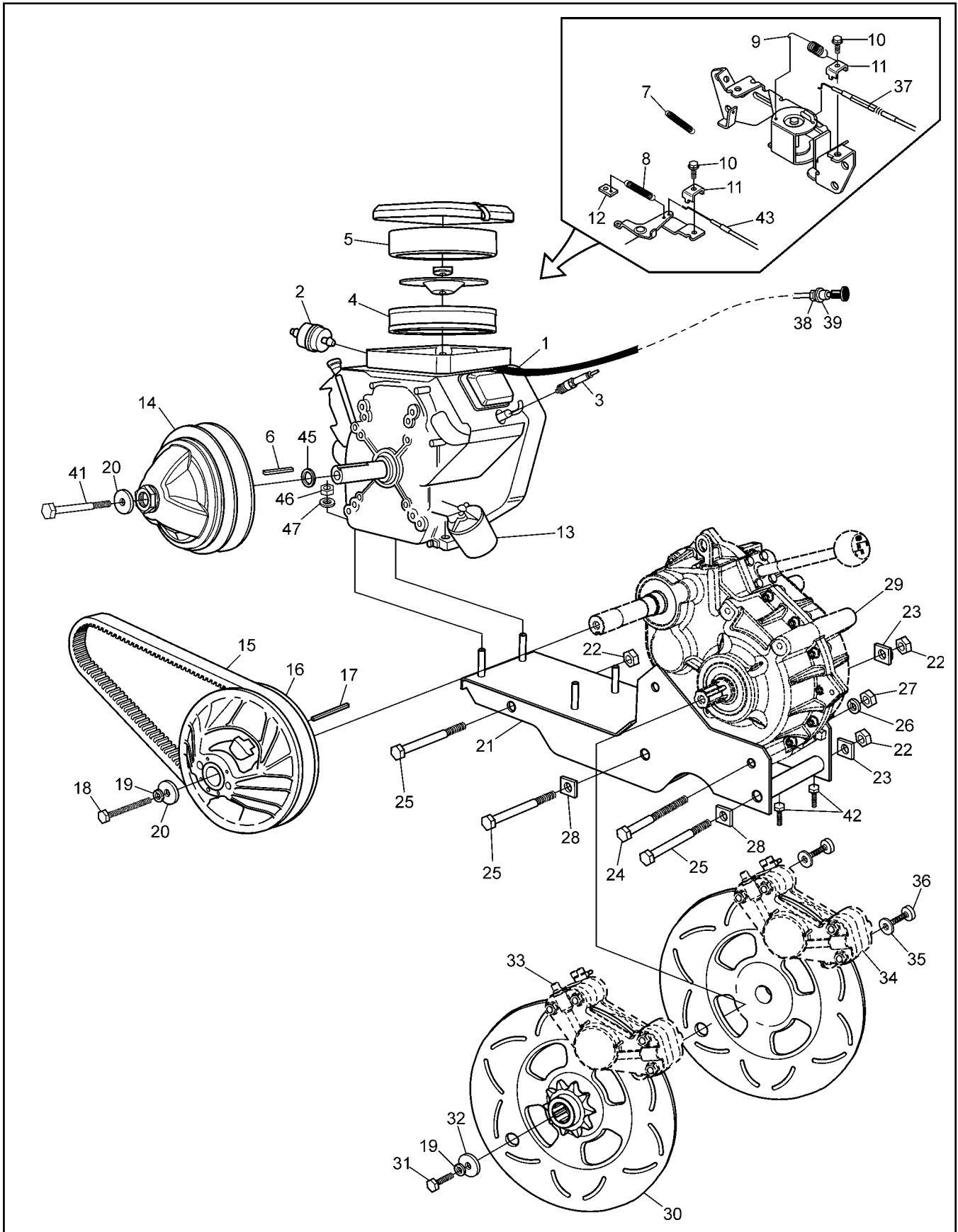
6x6 Frontier Parts Manual



Ref.	Qty.	Part #	Description
1	1	0405-0105	Flange, Fixed - 6x6 Frontier 480/580
	1	0405-0075	Flange, Fixed - 6x6 Frontier 650
2	1	0410-0026	Flange, Sliding
3	1	0150-1014	Spring Guide Washer
4	1	0451-1114	Spring
5	1	0440-0005	Spring Cover
6	3	0080-0167	Lockwasher
7	3	0080-0021	Screw, Cap
8	3	0130-3009	Block
9	3	0135-3063	Weight (250gr) - 6x6 Frontier 480/580
	3	0135-3065	Weight (275gr) - 6x6 Frontier 650
10	1	0115-0047	Cap
11	1	0080-0153	Washer, Zn
12	1	0080-0100	Nut
13	1	5905-0003	Flange, Fixed
14	1	0080-0164	Washer, Shim
15	1	5910-0002	Flange, Sliding
16	3	5930-3001	Cam Shoe
17	2	0080-0031	Screw
18	1	5951-1009	Spring
19	1	5950-3003	Spring Protector
20	1	5950-3002	Spring Support
21	1	0080-0216	Retaining Ring, Outside
22	2	0080-0167	Lockwasher
23	1	127-163	Clutch, Driver - 6x6 Frontier 480/580
	1	127-135	Clutch, Driver - 6x6 Frontier 650
24	2	0080-0035	Screw & Nut Ass'y
25	1	127-156	Clutch, Driven - INVANCE

4.0 Power Pack Assembly

6x6 Frontier Parts Manual



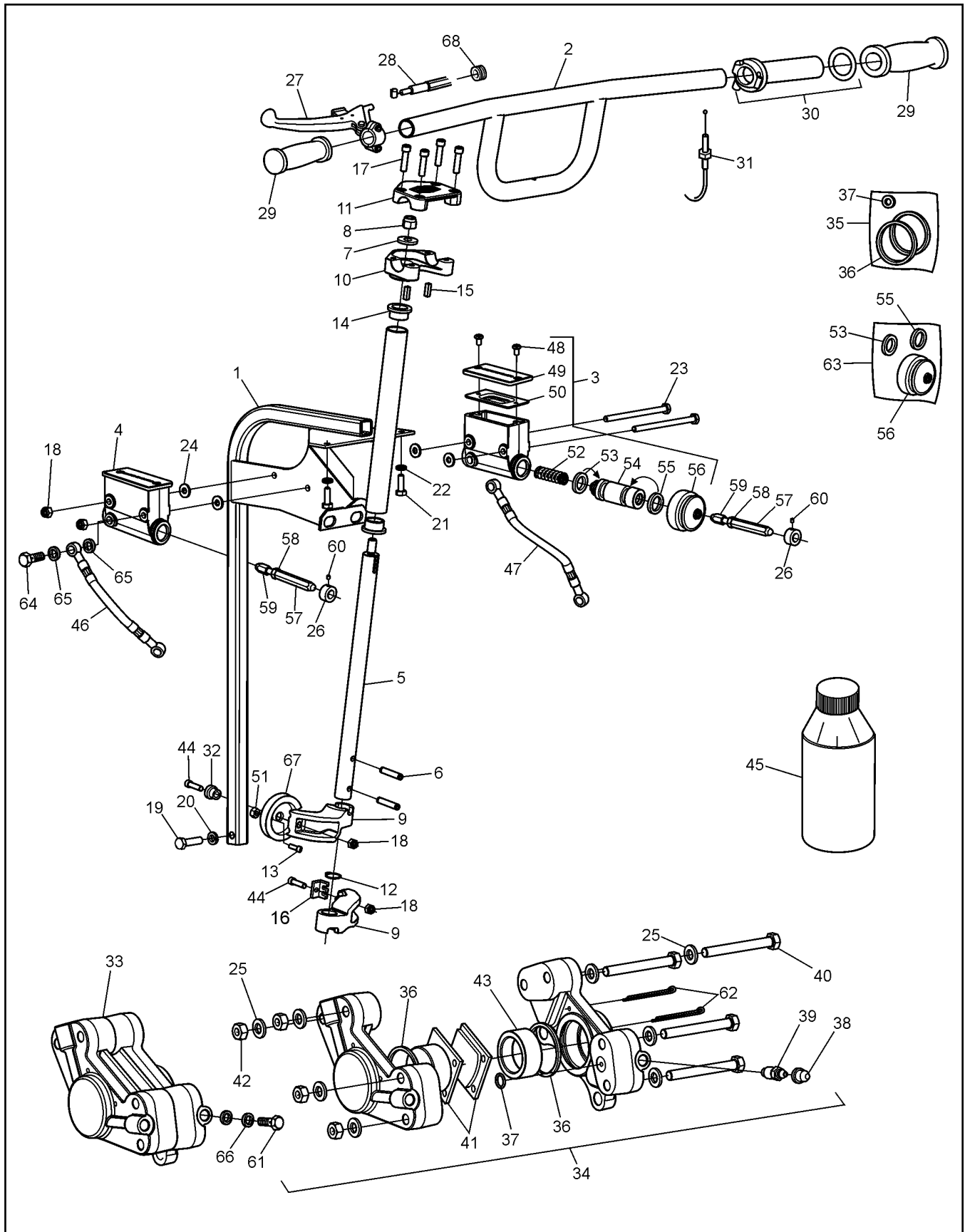
6x6 Frontier Parts Manual

4.0 Power Pack Assembly

Ref.	Qty.	Part #	Description	Ref.	Qty.	Part #	Description
1	1	128-25	Engine - B&S 14HP, 20 amp incl. Ref. 2-13 B&S #295447-0141E1	31	2	103-18	HHCS 3/8-24 x 1.25 Gr5 Zn
		128-15	Engine - B&S 18HP, 20/50 amp incl. Ref. 2-13 B&S #356447-0165-E1	32	2	108-18	Washer .40 x 1.37 x .12 Zn
		128-20	Engine - B&S 23HP, 20/50 amp incl. Ref. 2-13 B&S #386447-0144-E1	33			See Section 5.0 Steering & Brake System
2	1	125-64	Fuel Filter, G81-4	34			See Section 5.0 Steering & Brake System
3	2	126-74	Spark Plug #3926	35	4	108-23	Washer .42 x .81 x .06 Gr8 Zn
4	1	272490S	Element, Foam	36	4	103-41	SHCS 3/8-16 x 1.25 Zn
5	1	692520	Filter, Air - 23HP	37	1	612-101	Cable Asm, Throttle
	1	394018S	Filter, Air - 14HP & 18HP	38	2	117-68	Nut, Jam 3/8-24 UNF Zn
6	1	110-18	Key 1/4 x 1/4 x 1.75 RC45	39	1	108-32	Lockwasher 3/8 Int. Tooth
7	1	805458	Spring	41	1	112-28	HHCS, 3/8-24 x 4.5" Lg - 480/580
8	1	125-88	Spring, Return		1	112-160	HHCS, 7/16-20 x 5" Lg - 650
9	1	127-49	Spring, Return	42	2	103-53	HHCS 3/8-16 x 3.0 Full Thread
10	2	805169	Screw-Hex Head (Briggs #)	43	1	612-130	Cable Asm, Choke
11	2	221535	Clamp - Casing (Briggs #)	45	1	108-84	Washer, Engine, Clutch 650
12	1	601-86	Clip, Retainer		1	108-87	Washer, Engine, Clutch, 1.00 - 480/580
13	1	126-95	Filter, Oil	46	4	117-21	Locknut, Nylon 5/16-18 Zn
14			See Section 3.0 Clutch System	47	4	108-24	Washer .34 x 1.00 x .06 Zn
15	1	127-159	Drive Belt - Frontier - 11.3" Cen. Dist				
16			See Section 3.0 Clutch System				
17	1	110-03	Key 1/4 x 3/16 x 2.375 RC46				
18	1	112-164	HHCS 3/8-16 x 3.50 Gr5 Zn				
19	3	108-06	Lockwasher 3/8 Split Ring Zn				
20	2	108-46	Washer .40 x 1.37 x 1.2 Hi- Carbon				
21	1	604-118	Frame Ass'y - Power Pack				
22	3	117-83	Locknut, Stover 5/8-11 Zn				
23	2	811-09	Washer, Square - .64 ID				
24	2	103-20	HHCS 1/2-13 x 6.5 Gr5 Zn				
25	3	112-58	HHCS 5/8-11 x 7.5 Gr5 Zn				
26	2	108-07	Lockwasher 1/2 Split Ring Zn				
27	2	117-06	Nut, Fin Hex 1/2-13 Zn				
28	2	811-15	Washer, Square Lock .64 ID				
29			See Section 1.0 Transmission				
30	2	606-74	Disc, Brake-Splined #60-10T				

5.0 Steering & Brake System

6x6 Frontier Parts Manual



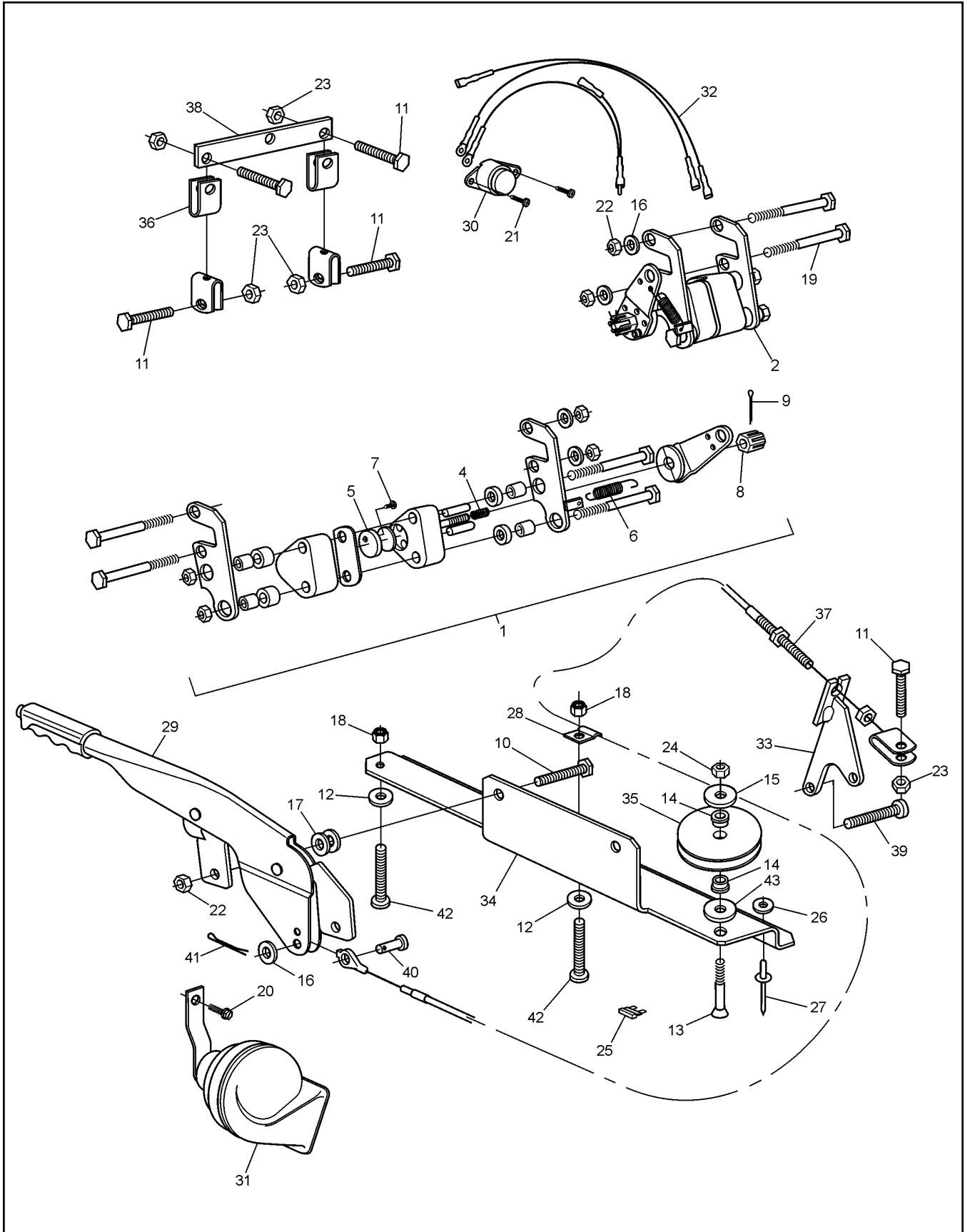
6x6 Frontier Parts Manual

5.0 Steering & Brake System

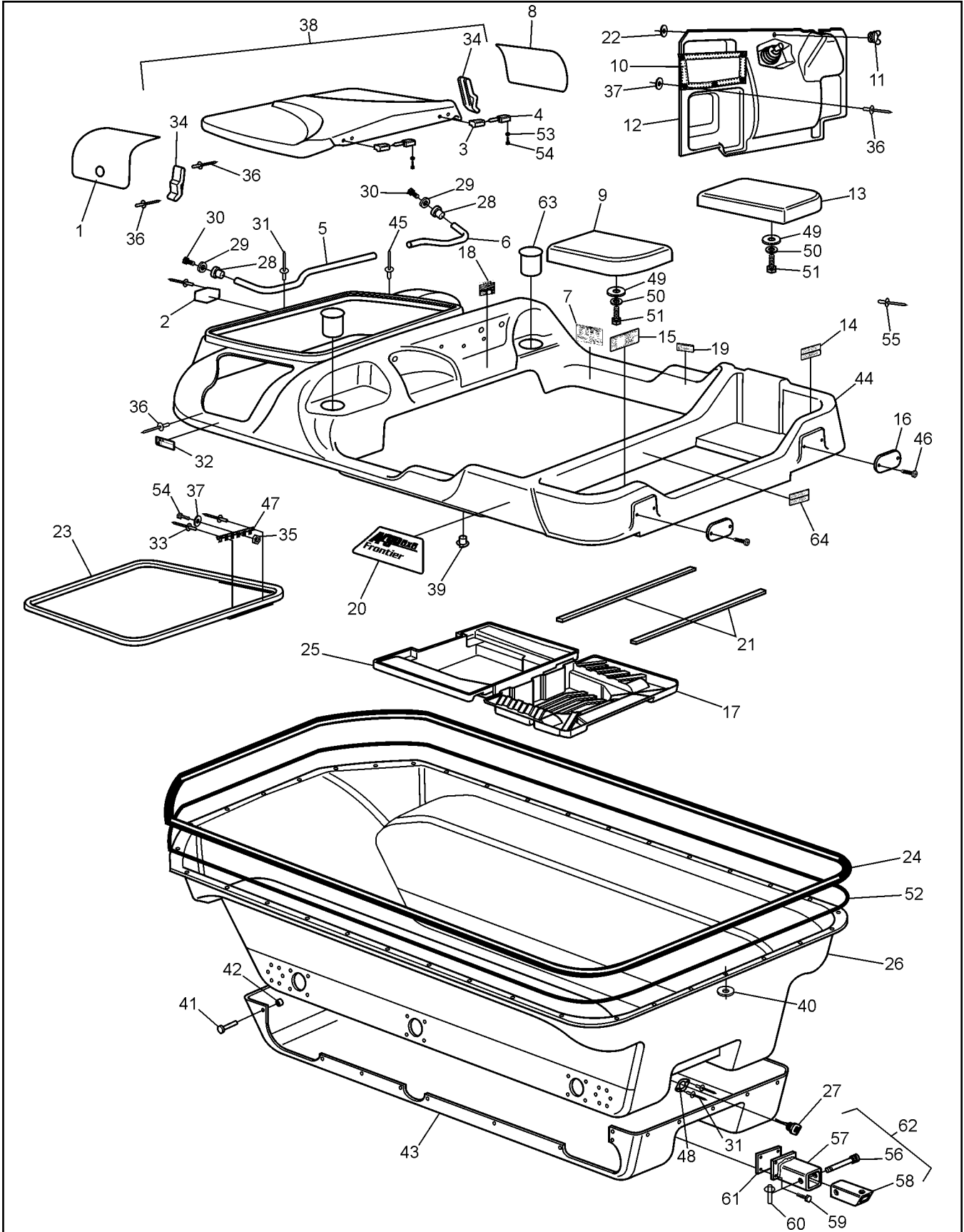
Ref.	Qty.	Part #	Description	Ref.	Qty.	Part #	Description
1	1	612-129	Frame Assembly, Steering Column	42	2x4	117-03	Nut, Fin Hex 5/16-18 Zn
2	1	612-107	Handlebar Assembly	43	2x2	168-01	Piston, Knott Caliper
3	1	165-08	Master Cylinder, Grimeca - R	44	2	112-159	BHCS, 1/4-20 x 1.0, Plated
4	1	165-07	Master Cylinder, Grimeca - L	45		126-19	Fluid, Brake-Silicon Dot 5 - .35L
5	1	612-127	Shaft, Steering - Argo	46	1	163-05	Hose Asm, Hydraulic - Left
6	2	104-42	Pin, Spring 1/4 x 1.5"	47	1	163-06	Hose Asm, Hydraulic - Right
7	1	108-47	Washer, .39 x .94 x .13 Zn Di-chr	48	2x2	160-42	Screw, FHMS M5 x 0,8 x 6mm
8	1	117-29	Locknut, Nylon 3/8-16 Zn	49	2x1	168-08	Cover
9	2	612-124	Arm, Steering	50	2x1	168-09	Cover, Rubber
10	1	612-106	Clamp, Lower Handlebar	51	1	117-10	Locknut, 10-24 N/I Zn
11	1	612-105	Clamp, Upper Handlebar	52	2x1	162-08	Spring, Comp. 17.3 x 49.3mm
12	1	106-07	Ring, Retaining SH-0075PA	53	2x1		Seal, Primary, 19mm (See Ref. 63)
13	1	160-46	SHCS, #10-24 x 3/8"	54	2x1	168-10	Piston 19mm dia.
14	2	105-16	Bushing, Oilite - 3/4 x 1/2	55	2x1		Seal, Secondary, 19mm (See Ref. 63)
15	2	110-17	Key, 3/16 x 3/16 x .625	56	2x1		Boot, Rubber (See Ref. 63)
16	1	128-24	Retainer, Handbrake Cable	57	2	812-30	Pin, Female
17	4	112-47	SHCS, 1/4-20 x 1.0 Zn	58	2	117-03	Nut, Fin Hex 1/4-20 Zn
18	4	117-27	Locknut, Nylon 1/4-20 Zn	59	2	812-31	Fin, Male
19	1	103-38	HHCS 5/16-18 x 1.25 Gr5 Zn	60	2	112-02	SHSS 10-24x1/4 Knurl Cup PT, PL
20	1	108-05	Lockwasher 5/16 Split-Ring Zn	61	2	160-45	Bolt, Banjo
21	2	112-04	HHCS 1/4-20 x 3/4 Gr2 Zn	62	2x2	168-07	Pin, Cotter 1/8 x 3.00 Zn
22	2	108-03	Lockwasher 1/4 Split Ring Zn	63	2x1	161-25	O-Ring Kit - Master Cylinder - Grimeca (incl. Ref. 53, 55 & 56)
23	2	103-66	HHCS, 1/4-20 x 4.0 Gr5 Zn	64	2	160-44	Bolt, Banjo - M10 x 1,0 x 21,0
24	4	108-08	Washer, .28 x .62 x .04 Zn	65	4	160-01	Washer, Copper - 1,5 x 10,0 x 14,0
25	2x8	108-24	Washer, .34 x .70 x .06 Zn	66	4	160-04	Washer, Copper 2.3 x 10.0 x 16.0
26	2	812-17	Collar	67	1	165-18	Pulley, Handbrake Cable
27	1	128-17	Lever Assembly, Handbrake, Spring	68	1	125-84	Grommet, Rubber
28	1	128-21	Cable Assembly, Handbrake				
29	2	127-35	Grip, Molded				
30	1	127-81	Throttle Twist Grip				
31	1	Ref.	Cable Asm., Throttle				
32	1	105-25	Bushing, Flange Oilite FF-310				
33	1	166-10	Caliper, Hydraulic Brake - L w/o pads				
34	1	166-11	Caliper, Hydraulic Brake - R w/o pads				
35	2	161-05	O-ring Kit, Knott Caliper				
36	2		Seal, Piston				
37	2		Seal, Rubber				
38	2x1	168-20	Plug, Rubber				
39	2x1	168-02	Screw, Bleeding, Knott Caliper				
40	2x4	112-154	SHCS, 5/16-18 x 2.75 Zn				
41	1	170-03	Pad Set (4), Brake - Non-Asbestos				

6.0 Parking Brake

6x6 Frontier Parts Manual



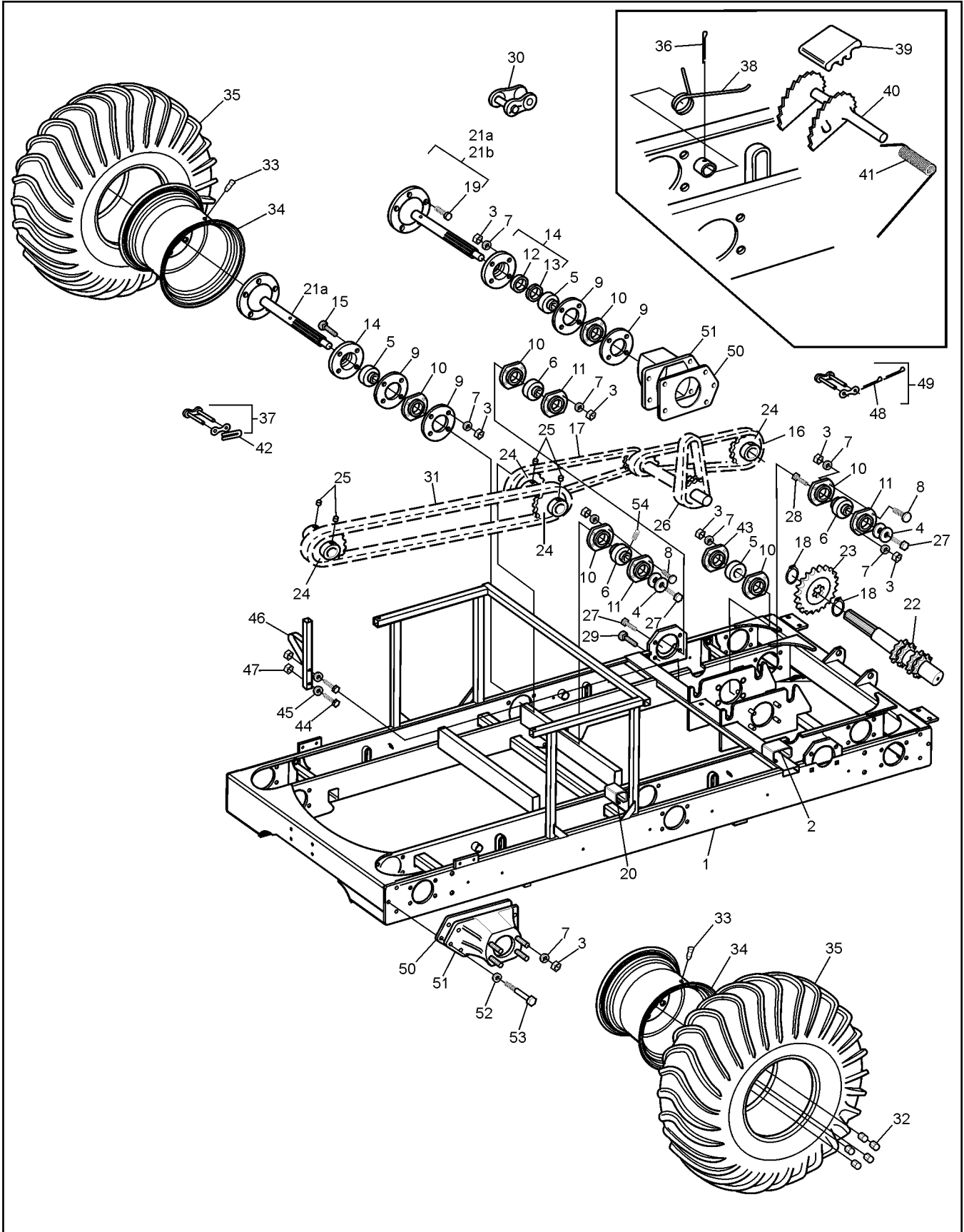
Ref.	Qty.	Part #	Description
1	1	850-96	Caliper Ass'y, LH, Parking Brake
2	1	850-97	Caliper Ass'y, RH, Parking Brake
3	1	850-98	Kit, Service, Parking Brake includes Ref. 4 - 9
4	1		Cam Tension Spring (compression)
5	1		Left & Right Brake Pads
6	1		Cam Arm Spring (tension)
7	1		Brake Pad Retaining Screw
8	1		Castle Nut
9	1		Cotter Pin
10	2	103-06	HHCS 5/16-18x1.0 Gr5 Zn
11	5	103-08	HHCS 1/4-20x1.0 Zn
12	2	108-42	Washer .21x1.0x.06 Zn
13	1	103-100	FHSC, 3/8-16 x 1-1/2 Zn
14	2	105-18	Bushing, Oilite - 3/8x1/4
15	1	108-15	Washer .42 x .81 x .05 Zn
16	21	108-24	Washer .34x.70x.06 Zn
17	4	108-47	Washer .39x.94x.13 Zn Di-Chro
18	2	117-10	Locknut, 10-24 N/I Zn
19	4	112-132	HHCS 5/16-18 x 3.25 Gr5 Zn
20	1	112-19	Screw,IHWH T/C Slot 1/4-20x1/2*
21	2	112-56	T/S Pan Head Phil #10x3/4 A Zn*
22	6	117-21	Locknut, Nylon 5/16-18 Zn
23	5	117-27	Locknut, Nylon 1/4-20 Zn
24	1	117-29	Locknut, Nylon 3/8-16 Zn
25	1	118-52	Fuse, 10A 2-Prong (AT010)*
26	4	120-04	Washer .19x.50x.08 Zn
27	4	120-09	Rivet - 3/16 x 1.0 Black
28	1	128-13	Clip, Conduit-Anti
29	1	809-147	Lever, Parking Brake
30	1	848-86	Button, Horn*
31	1	848-87	Horn, Electric*
32	1	848-88	Wire Harness, Horn*
33	1	850-72	Bracket Asm, Parking/Brake
34	1	850-78	Bracket, Parking Lever
35	1	850-79	Pulley, Parking Brake Cable
36	2	850-80	Cable, Parking Brake Equalizer
37	1	850-81	Cable, Parking Brake
38	1	850-82	Flat Bar, Equalizer
39	1	112-143/P1	SHCS 5/16x1.25 Zn
40	1	104-27	Pin, Clevis 5/16x.75" Zn
41	1	100-100	Pin, Cotter 1/8x3/4 Zn
42	2	112-174	RHMS 10-24 x 1.75 Zn
43	1	108-35	Washer .53 x 1.06 x .09 Zn
			*If equipped



6x6 Frontier Parts Manual

7.0 Vehicle Body & Firewall

Ref.	Qty.	Part #	Description	Ref.	Qty.	Part #	Description
1	1	707-43	Screen - Exhaust	39	2	117-44	T- Nut 1/4-20 Zn
2	1	601-44	Nameplate, "Argo"	40	84	120-04	Washer .19 x .50 x .08 Zn
3	2	127-45B	Knuckle, Hinge	41	26	120-27	Pin, Magna Grip (if equipped)
4	2	127-45A	Pin, Hinge	42	26	120-28	Collar, Magna Grip (if equipped)
5	1	601-103	Tube, Dash Handle, Pass.Side	43	1	603-98	Skid Plate, 6x6 - Black (if equipped)
6	1	601-104	Tube, Dash Handle, Driver Side	44	1	601-105	Body & Hood, Upper - Frontier (spec. colour) (incl. 23, 33, 38)
7	1	126-68	Plate, Operation	45	109	120-09	Rivet 3/16 x 1 - Black
8	1	707-42	Screen, Intake	46	4	103-48	T/S Pan HD PHIL #10 x 5/8
9	1	601-03	Seat, Rear - Left - 6x6 - Black	47	1	613-37	Terminal Strip, Ground
10	1	100-108	Mesh, Glove Box	48	2	100-114	Gasket, Drain Plug
11	1	126-10	Wing Stud	49	2	603-15	Washer, Plastic 5/16 Hole
12	1	803-60	Firewall	50	2	108-01	Washer, Fender 1/4 BS x 1.25 OD
13	1	601-02	Seat, Rear - Right - 6x6 - Black	51	2	103-08	HHCS 1/4-20 x 1.0 Zn
14	1	126-67	Plate, Floor Pan	52	1	126-60	Vinyl Strip, 1/2" x 1/4" x 37.5'
15	1	127-173	Plate, Vehicle Capacity	53	8	108-59	Lockwasher #10 Int. Tooth Zn
16	2	127-01	Reflector, Red	54	9	103-47	HHCS 10-24 x 1/2
17	1	803-61	Floor Pan, Rear - Frontier	55	38	120-24	Rivet, 3/32 x 3/8 Alum. (all plates)
18	1	127-141	Label, Caution - Keyswitch	56	1	104-13	Pin, Toplink - 3/4 x 2.75
19	1	126-69	Plate, Fuel	57	1	616-16	Hitch Assembly
20	2	127-170	Nameplate - 6x6 Frontier 650	58	1	616-19	Tube, Hitch
	2	127-168	Nameplate - 6x6 Frontier 480	59	4	103-61	HHCS 3/8-24 x 1.5 Gr5 Zn
	2	127-169	Nameplate - 6x6 Frontier 580	60	1	104-11	Pin, Lynch - Ring
21	2	601-106	Trim, Vinyl - 30" Black	61	1	616-20	Gasket, Rear Hitch
22	1	126-09	Grommet, Alum. Flattened Half	62	1	626-10	Hitch Kit (Opt. on Frontier 480/580)
23	1	602-53	Frame Ass'y, Hood - Front	63	2	100-109	Cup Holder Insert
24	1	601-05	Bumper, Vinyl - 6x6	64	1	127-51	Plate, Capacity 6x6
25	1	803-59	Floor Pan, Front				
26	1	603-99	Body, Lower - Frontier				
27	2	100-107	Plug, Drain - Flanged				
28	2	113-12	Insert, 1/2-13				
29	2	108-35	Washer .53 x 1.06 x .09 Zn				
30	2	112-151	HHCS 1/2-13 x 1" Gr2 Zn				
31	17	120-13	Rivet, 3/16 x 5/8 Black				
32	1	127-144	Label, Warning - HOT				
33	2	120-15	Rivet - 1/8 x 7/16				
34	2	602-56	Latch, Hood - Soft Draw				
35	1	117-10	Locknut, 10-24 N/I Zn				
36	37	120-11	Rivet 5/32 x 9/16 - Black				
37	6	120-05	Washer, .19 x .50 x .04 Zn				
38	1	602-57	Hood Kit - Frontier (spec. colour) (incl. 3, 4, 34, 36, 53, 54)				

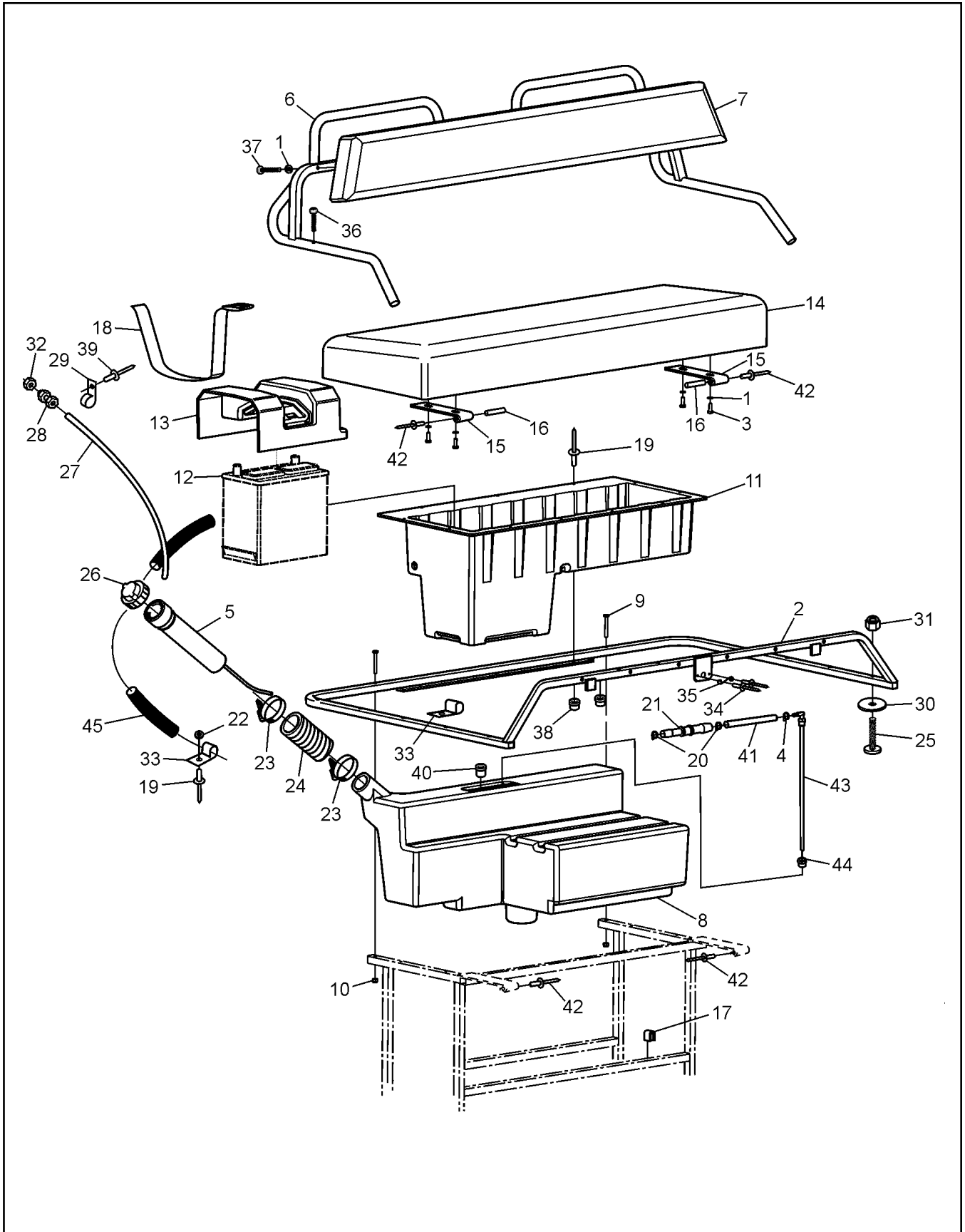


6x6 Frontier Parts Manual

8.0 Frame and Drive System

Ref.	Qty.	Part #	Description	Ref.	Qty.	Part #	Description
1	1	604-100	Frame Asm - Frontier	35	6	127-158	Tire, Argo 24 x 10-8
2	2	606-43	Slide, Chain - 2-3/4"	36	4	100-01	Pin, Cotter 1/8 x 1.50 Zn
3	64	117-29	Locknut, Nylon 3/8-16 Zn	37	1x6	603-84	Con. Link, RC60-1 H.D.
4	12	108-46	Washer .40 x 1.37 x .12 Hi-Carbon	38	4	127-65	Spring Torsion - 1.16x0.35
5	10	101-35	Bearing, Ball - 1.25	39	4	606-44	Slider Block
6	6	101-41	Bearing, Ball - 1.0	40	4	606-82	Tensioner Asm, Chain
7	64	108-15	Washer, .42 x .81 x .05 Zn	41	4	127-64	Spring, Torsion - .76 x 1.9
8	23	103-88	C/Bolt 3/8-16 x 1.0 Gr5 Zn	42	6	603-96	Spring Clip - RC 60 Closed
9	12	605-89	Gasket, Flange - Outer	43	2	101-80	Flange, Greaseable - 90 Degree
10	16	605-63	Flange - 4 hole	44	2	103-97	HHCS 1/4-20 x 1.25
11	10	101-20	Flange, Greasable - 4 hole	45	4	108-08	Washer .28 x .62 x .07
12	6	102-14	Seal, Oil 1.25 x 1.75 x 0.188	46	1	806-43	Support Asm, Firewall
13	6	102-15	Seal, Oil 1.25 x 1.874 x 0.25	47	2	117-27	Locknut, Nylon 1/4-20
14	2/6	605-97	Flange Asm, Outer (incl. Refs. 12 & 13)	48	4	104-35	Pin, Cotter 2mm x 12mm
15	8	112-39	C/Bolt 3/8-16 x 1.75 Gr5 Zn	49	2	603-94	Con. Link, RC60-1 Cotter Pin
16	2	606-45	Chain, RC60 - 1 x 42P (incl. Ref. 37)	50	4	606-25	Gasket - Bearing Extension (if equipped)
17	2	606-46	Chain, RC60 - 1 x 64P (incl. Ref. 37)	51	4	810-91	Bearing Extension (if equipped)
18	4	107-10	Retaining Ring SH-0125-PA	52	20	108-34	Washer .47 x .94 x .06 Zn
19	5x6	103-80	Stud, Wheel 7/16-20 x 1.125 #B271	53	20	112-150	HHCS 7/16-20 x 1.5 Gr5 Zn
20	2	606-42	Slide, Chain - 1.25"	54	2	112-60	SHSS 1/4-28 x 1/2 Cup Pt.
21a	2/6	810-75	Axle Ass'y - Mid (incl. Ref. 19)				
21b	4	810-73	Axle Ass'y - Front/Rear (650 only)				
22	2	606-78	Shaft, Idler - 10T #60 Weldment				
23	2	606-81	Sprocket, Idler S60 x 20T				
24	6	606-34	Sprocket, S60 x 19T				
25	6	112-03	SHSS 5/16-18 x 3/8 1/2 DOG, PL				
26	2	803-54	Chain, Idler RC60-1 x 34P				
27	10	112-31	HHCS 3/8-16 x 1.0 2B Gr8 Zn				
28	1	103-82	HHCS 3/8-16 x 1.5 Gr5 Zn				
29	4	112-61	C/Bolt 3/8-16 x 1.25 Gr5 Zn				
30		127-80	Link, Half - RC60 - 1 (opt.)				
31	2	606-47	Chain, RC60-1 x 96P (incl. Ref. 37)				
32	5x6	117-35	Nut, Wheel 7/16-20 Zn				
33	6	125-26	Valve, Tire				
34	6	125-13C	Rim - 8 x 7 - Charcoal				

9.0 Fuel System & Seat Assembly 6x6 Frontier Parts Manual

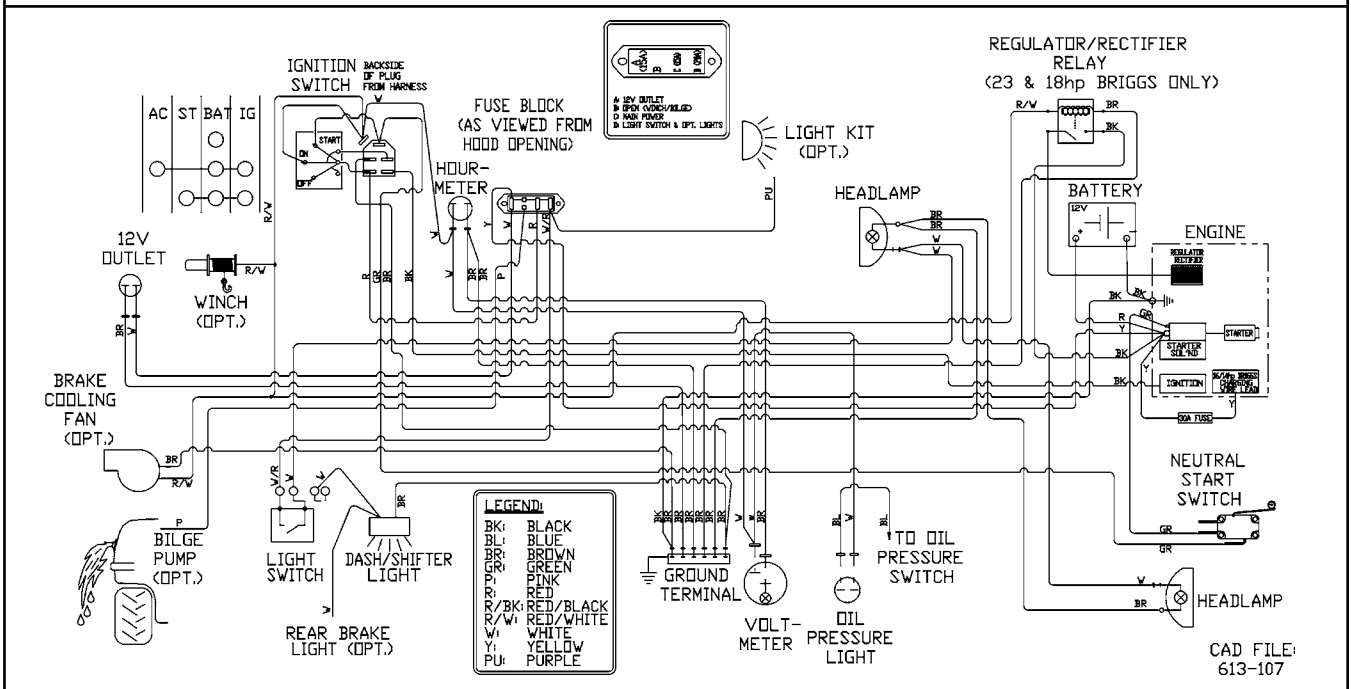
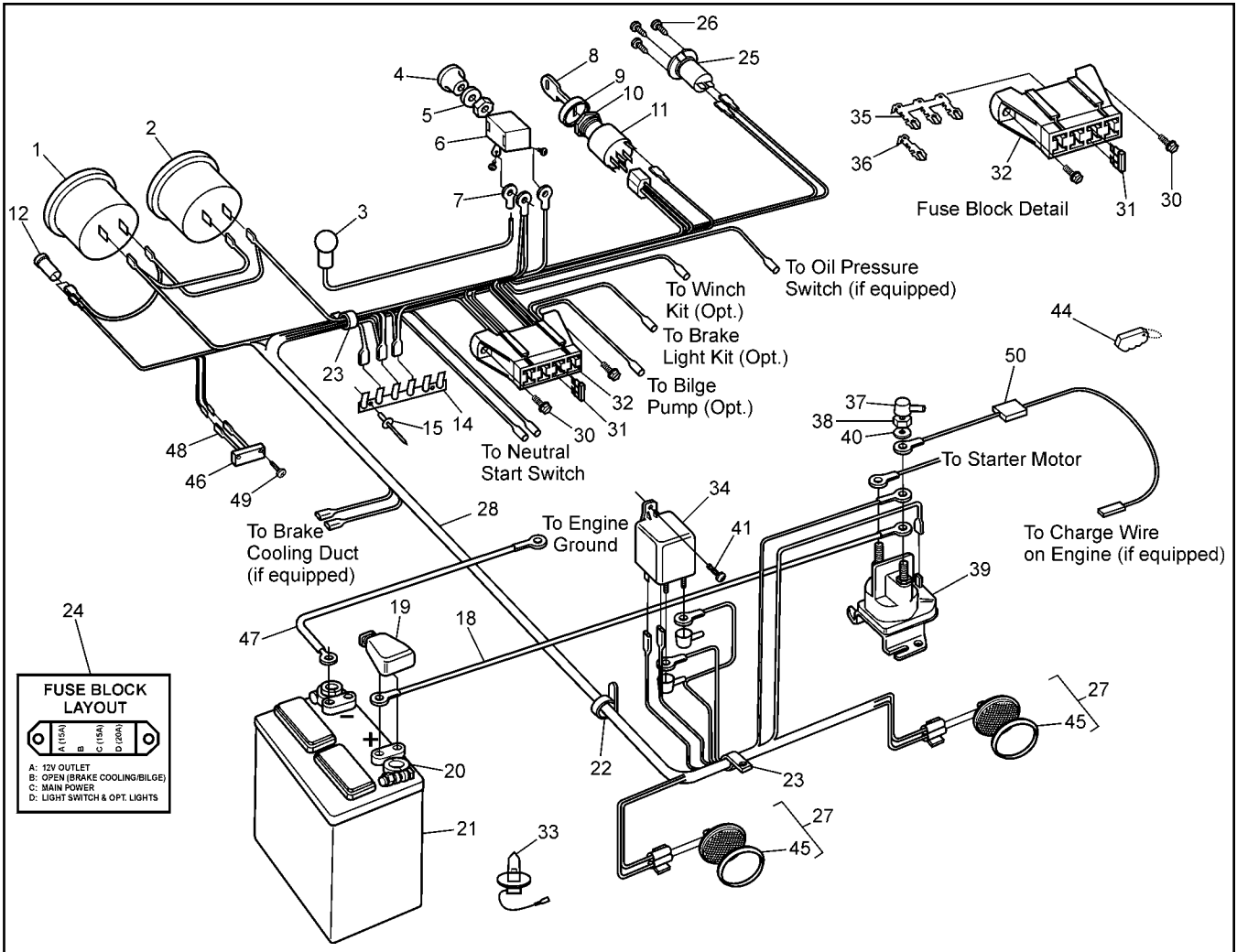


6x6 Frontier Parts Manual 9.0 Fuel System & Seat Assembly

Ref.	Qty.	Part #	Description
1	8	108-03	Lockwasher 1/4 Split Ring Zn
2	1	608-74	Frame Assembly, Seat
3	4	112-04	HHCS 1/4-20x3/4 Gr2 Zn
4	2	112-78	Clamp, Hose, 9/16
5	1	608-59	Neck Assembly, Vented Filler
6	1	608-76	Frame Assembly, Backrest
7	1	608-39	Back pad Assembly
8	1	608-91	Tank, Fuel - Avg
9	2	103-77	HHCS, 1/4-28 x 2.0
10	2	117-01	Locknut, Nylon 1/4-28 Zn
11	1	608-54	Toolbox
12	1	127-54	See Section 10.0 Electrical System
13	1	608-55	Cover, Battery
14	1	608-45	Seat Assembly, Bench
15	2	608-81	Hinge, Seat, Bolted
16	2	104-43	Pin, 3/16" x 1-1/8"
17	4	702-06	Foam Cushion
18	1	608-56	Strap, Battery
19	17	120-09	Rivet 3/16x1 - Black
20	4	112-79	Clamp, Hose, 1/2" - Black
21	1	808-133	Reducer, 5/16" to 1/4" Barbed
22	8	120-04	Washer .19 x .50 x .08 Zn
23	2	100-12	Clamp, Gear 2.25" HF-36
24	1	125-94	Hose, Filler
25	10	112-07	RHMS 10-24 x 1.50 Zn
26	1	126-46	Cap, Fuel
27	1	127-21	Hose, Vent - 109"
28	1	126-50	Male Connector, 1/4"
29	6	126-94	Clamp, Nylon Wire - 1/4" ID
30	10	108-42	Washer .21 x 1.0x.06 Zn
31	14	117-10	Locknut, Nylon #10-24 Zn
32	1	117-54	Nut, Locking PAL 1/2-20 Zn
33	7	126-93	Clamp, Nylon Wire - 1/2" ID
34	2	120-15	Rivet, 1/8 x 7/16
35	1	126-11	Spring
36	2	112-41	PHMS, Phil 1/4-20 x 1.25 Zn
37	4	103-03	PHMS, Phil 1/4-20 x 1.50 Zn
38	2	117-64	Insert, 1/4-20 Steel Cad Pltg.
39	4	120-13	Rivet, 3/16 x 5/8 Black
40	1	808-123	Plug, Nylon, 1/4 - NPT
41	2"	608-69RM	Hose, Fuel - 5/16" ID Carb
42	4	120-31	Rivet, 3/16" x 1/4, Open End
43	1	608-89	Pick-up, Fuel, 5/16 x 11.75"
44	1	608-90	Grommet, 5/16" Tube, 3/4" Hole
45	1	608-66	Hose, Fuel 1/4" ID, 80"

10.0 Electrical System

6x6 Frontier Parts Manual



Ref.	Qty.	Part #	Description
1	1	632-15	Hourmeter #56458-10 (#876EM) *
2	1	633-10	Voltmeter #07583-15 (#830EM) *
3	1	634-10	Light Kit, #06215-00 5/8" dia. *
4	1	126-76	Knob, Light
5	1	108-55	Lockwasher 7/16 Ext. Tooth
6	1	100-62	Switch, Light
7	1	118-30	Terminal, Eye - #10
8	2	127-108	Key, Molded
9	1	127-107	Cover, Nut
10	1	127-106	Nut, Flanged - Plastic
11	1	127-105	Switch - Ignition
12	1	634-08	Light, Indicator *
14	1	613-37	Terminal Strip, Ground
15	2	120-15	Rivet 1/8 x 7/16
18	1	613-94	Wire, Positive Battery
19	1	127-55	Cap, Battery Terminal - Red
20	2	127-56	Terminal, Battery Post
21	1	127-54	Battery, Exide 45-60
22	8	100-64	Tie Wrap - 5.5" - Black
23	13	126-93	Clamp, Nylon Wire - 1/2" ID
24	1	127-154	Label, Fuse Panel
25	1	613-90	Outlet, 12 V DC *
26	3	112-139	#4 Phil Drive Oval Head Screw, Black
27	2	613-92	Headlamp Ass'y - oval w/Bezel (incl. items 33 & 45)
28	1	613-97	Wire Harness
30	2	112-51	Screw, IHWH T/C #10-24 x 5/8
31	3	118-49	Fuse, 15 A 2-prong (AT015)
32	1	118-60	Block Fuse - 8 position (4 fuse)
33	2	127-46	Bulb, Headlight - Halogen
34	1	613-98	Relay, 80 Amp (if equipped)
35	1	118-63	Terminal, Fuse - Triple
36	5	118-62	Terminal, Fuse - Single
37	3	613-45	Insulator, Terminal (6 ga.)
38	3	117-20	Nut, Fin. Hex 1/4-20 Zn
39	1	613-68	Starter Relay
40	1	108-03	Lockwasher 1/4 Split Ring Zn
41	1	103-48	T/S Pan Hd Phil #10 x 5/8 A Blk
44	1	681-00	FOB, Key - Floating
45	2	613-93	Bezel, Headlamp
46	1	613-99	Light, Shifter Illumination *
47	1	613-95	Wire, Negative Battery
48	2	118-69	Terminal, 3/16 Male Blade 22 Ga *
49	2	112-139	OHPS T/S #4 x 5/8 Black Zn *
50	1	613-108	Wire Harness, Charge Wire (6x6 Frontier 480 only)

* 6x6 Frontier 650 only

ARGO Products Manufactured by:

Ontario Drive & Gear Limited

220 Bergey Court

New Hamburg, Ontario

Canada N3A 2J5

Phone: (519) 662-2840

Fax: (519) 662-2421

www.argoatv.com

ODG *Dedicated to quality and performance*