

**Argo 8x8**  
*RESPONSE*



# ARGO

## RESPONSE PARTS MANUAL

**Model Nos. V899-65**  
From Serial #RB17665

# Foreword

ODG has prepared this parts manual for the RESPONSE model to assist both qualified mechanics and vehicle owners in ordering correct, quality replacement ARGO parts.

Proper and regular service, and replacing old, worn or broken parts with the correct ARGO replacement parts, are both essential to prolonging the life of the ARGO. Please refer to this parts manual before ordering any replacement part.

All information contained in this RESPONSE Parts Manual is based on the latest product specification available at time of printing. If your RESPONSE differs from the specifications contained in this manual, contact Ontario Drive & Gear Limited for information.

ODG reserves the right to alter specifications on the RESPONSE model at any time, without obligation or prior notification.

Reproduction of this RESPONSE Parts Manual No. 899-65-2, in whole or in part, is prohibited without prior written permission from Ontario Drive & Gear Limited.

## Model Identification

**RESPONSE** - Model Nos. V899-65

## Explanation of Parts Manual Format

- Ref** - Reference number between assembly diagram and component parts list
- Part No.** - Argo replacement part number for identification and re-ordering
- Description** - Part description for identification and re-ordering
- Qty** - Indicates the quantity of a part used in an Assembly

# Argo 8x8 RESPONSE

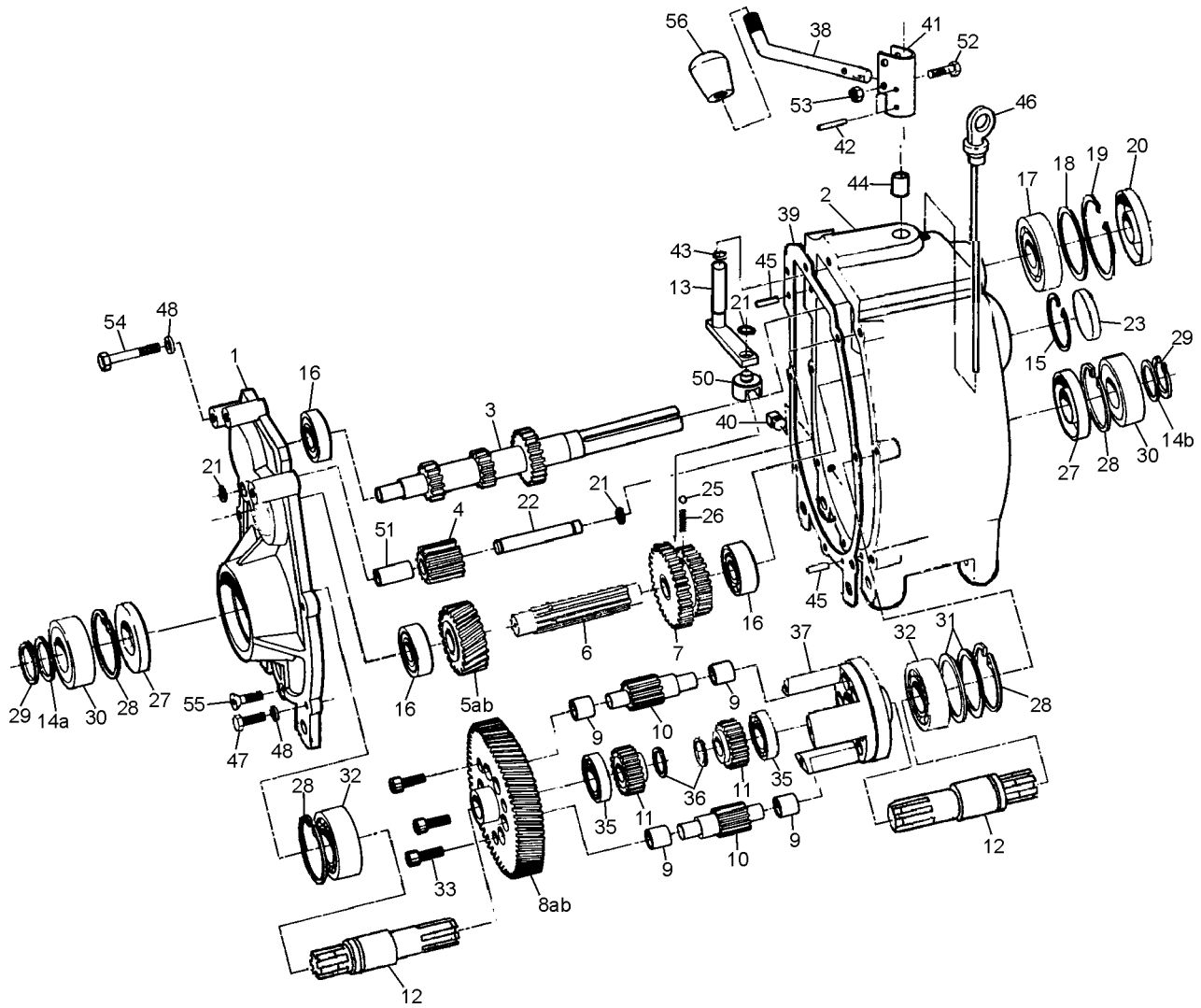


## Using the Parts Manual

1. Find the major vehicle assembly in the Table of Contents on this page, and turn to that section.
2. Locate the part in the illustration that you wish to order.
3. Refer to the parts list in that section.
4. Find the correct part number (Part No.), part description (Description) and correct quantity (Qty).
5. Use *only* this information to order ARGO replacement parts. *DO NOT* attempt to order a replacement part by reference number or page number.

## Table of Contents

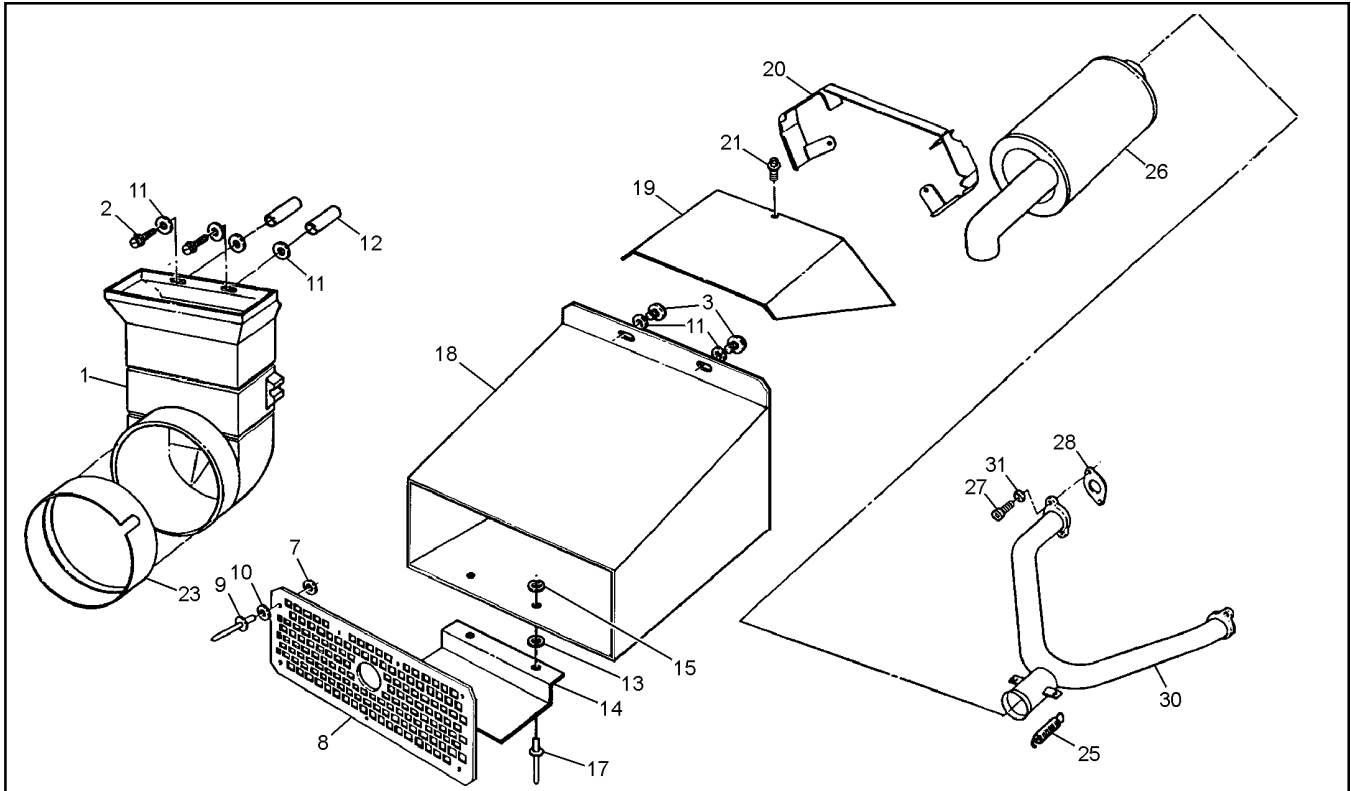
Foreword .....	i
Model Identification .....	i
Using the Parts Manual .....	ii
1.0 Transmission .....	1
2.0 Intake and Exhaust System .....	3
3.0 Clutch System .....	4
4.0 Power Pack Assembly .....	5
5.0 Brake System - Hydraulic .....	7
6.0 Vehicle Body & Firewall .....	9
7.0 Frame & Drive System .....	11
8.0 Fuel System & Seat Assembly .....	13
9.0 Electrical System .....	15



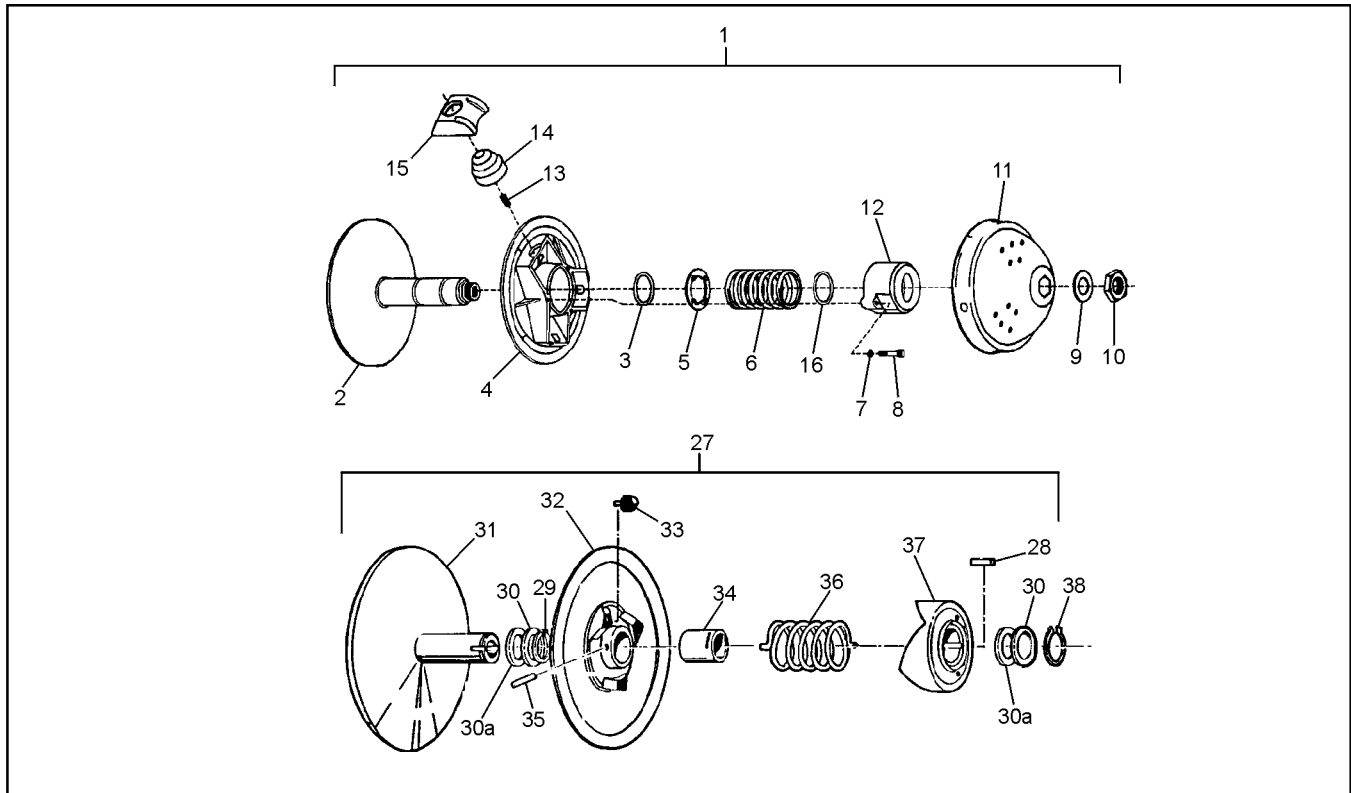
Ref.	Qty.	Part #	Description
.	1	610-18MP	Transmission Asm - H,does not include Refs 38, 52, 53 & 56
1	1	34-68	Cover, Transmission
2	1	34-99	Housing, Transmission
3	1	34-21	Shaft, Input - 13/21T
4	1	34-16A	Gear, Idler 13T (incl. Ref. 51)
5a	1	34-96	Gear, Helical - 26T (H)
5b	1	34-95	Gear, Helical - 24T (M)
6	1	34-94	Shaft, Spline
7	1	34-91	Gear, Double - 26/33T
8a	1	34-43	Gear Plate - 71T (H)
8b	1	34-22	Gear Plate - 73T (M)
9	12	105-03	Bushing, Oilite 1/2 x 3/4
10	6	34-13	Gear, Planet - 12T
11	2	34-14	Gear, Sun - 21T
12	2	34-98	Shaft, Output
13	1	34-65	Shifter Asm
14a	1	114-04	Washer, Shim .040 Thk
14b	1	114-05	Washer, Shim .020 Thk
15	1	106-01	Retaining Ring
16	3	101-01	Bearing, Ball 6204Z-C3
17	1	101-16	Bearing, Ball 6206-C3
18	as req.	114-02	Washer, Shim 2.06x2.42x.02
19	1	106-05	Retaining Ring
20	1	102-05	Seal, Oil WBS 30x62x10
21	3	107-05	Retaining Ring
22	1	34-11	Pin, Dowel 1/2 x 3.50
23	1	31-07	Plug Plate
25	1	109-05	Ball, Steel 6mm 62-67 Rc
26	1	34-32	Spring, Compression - 7/32 x 0.50
27	2	102-03	Seal, Oil WBS 30x72x10
28	4	106-03	Retaining Ring
29	2	107-02	Retaining Ring
30	2	101-05	Bearing, Ball 6306-2NSE C3
31	2	114-01	Washer, Shim 2.25x2.81x.02
32	2	101-03	Bearing, Ball 6207-C3
33	3	103-04	SHCS 5/16-18 x 1.0 Bare
35	2	101-15	Bearing, Ball 6005-C3
36	2	107-04	Retaining Ring
37	1	34-08	Cage
38	1	610-77	Lever, Shift
39	1	34-47	Gasket, Cover - 1/64" Thk
40	1	103-02	Plug, Magnetic 3/8 - 18 NPT Sq. Hd.
41	1	34-86	Holder, Shift Lever
42	2	111-01	Pin, Spring 5/32 x 1.00 - Slotted
43	1	113-01	O-Ring
44	1	105-02	Bushing, Oilite 1/2x 1.0
45	2	104-03	Pin, Dowel 1/4 x 7/8" long
46	1	34-77	Dipstick - with Breather
47	4	103-06	HHCS 5/16-18x1.0 GR5 Zinc
48	7	108-05	Lockwasher 5/16 Zinc
50	1	34-63	Shift Yoke
51	1	105-05	Bushing, Oilite 1/2 x 1.5 (in Ref 4)
52	1	103-97	HHCS 1/4-20x1.25 GR5 Zinc
53	1	117-27	Locknut, Nylon 1/4-20 Zinc
54			<b>See Section 4.0 Power Pack Assembly</b>
55	1	103-95	FHSC 5/16-18x1.0 GR8 Zinc
56	1	126-38	Knob, Shift

## 2.0 Intake and Exhaust System

## Response Parts Manual



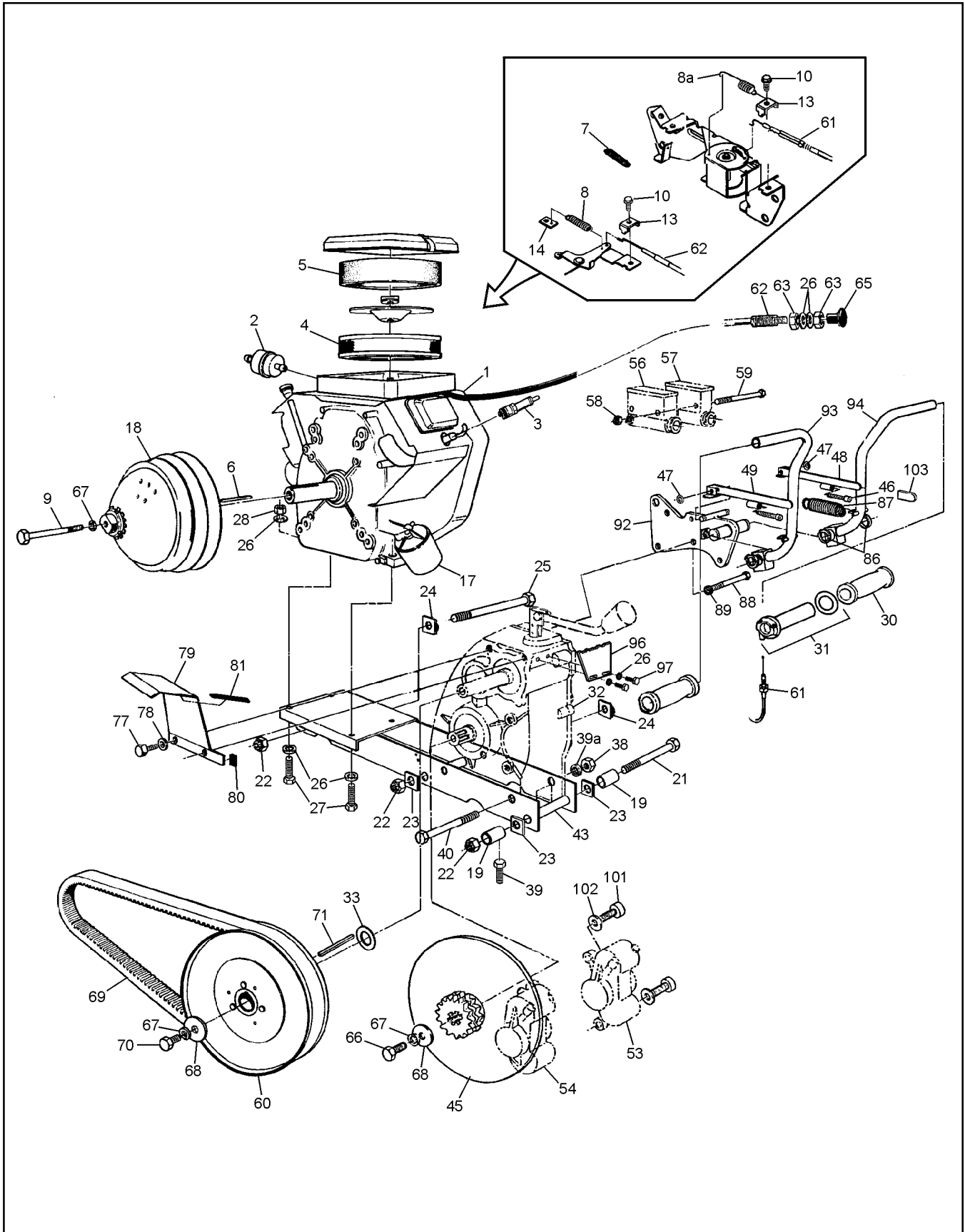
Ref.	Qty.	Part #	Description
1	1	603-81	Duct, Intake
2	2	112-48	Screw, T/S HH#14x2.25 Zinc
3	2	112-19	Screw, IHWH T/C Slot 1/4-20x0.5
7	7	120-05	Washer, .195x.50x.040 Zinc
8	1	707-31	Screen, Exhaust
9	7	120-09	Rivet 3/16 x 1
10	7	125-59	Washer, Fibre -.062x.25x.50
11	6	108-08	Washer, 1/4 SAE Zinc
12	2	120-29	Spacer, .26 ID x 1.12 LG
13	2	125-58	Washer, Fibre - W-77F
14	1	707-28	Support, Exhaust Duct
15	2	120-04	Washer, .195x.50x.08 Zinc
17	2	120-13	Rivet - 3/16x5/8
18	1	707-32	Duct, Exhaust - Response
19	1	707-26	Cover, Engine Duct
20	1	707-25	Duct, Engine
21	3	112-19	Screw, IHWH T/C Slot 1/4-20x1/2
23	1	603-82	Seal
25	2	126-57	Spring, Exhaust
26	1	707-15	Muffler
27	4	112-30	SHCS, M8x1.25x20.0 Zinc
28	2	805024	Gasket
30	1	707-05	Manifold, Exhaust
31	4	108-02	Lockwasher, Hi-Collar 5/16, PL



Ref.	Qty.	Part #	Description
1	1	127-73	Clutch, Driver, keyed incl. Refs 2-15, 0040-0030
2	1	0405-0043	Pulley, Fixed half
3	1	V08	Ring, Retaining D1400-350
4	1	0410-0007	Pulley, Sliding half
5	1	V09	Washer, Spring Guide
6	1	V10-48-108-18	Spring
7	3	420-2453-700	Washer, Lock
8	3	222-9640-66	SHCS
9	1	0080-0153	Washer
10	1	0080-0100	Nut
11	1	0115-0003(A)	Cap
12	1	0440-0001	Cover, Spring
13	3	C24-L1	Spring, Anti-Noise
14	3	C13-225	Slug, Lead 225 g
15	3	0130-3002	Block, Red
16	1	V08C	Spring Ring
27	1	126-24	Clutch, Driven - Model "B" incl. Refs 28-37 SODB0001
28	1	ASK-5	Key 1/4 x 1/4 x 5/8
29	2	ASR-6	Retaining Ring N1400-150A
30	as req	ASA-1-S	Spacer .025" Thick
30a	as req	ASA-1	Spacer .050" Thick
31	1	AFK25.4-250OD01	Pulley, Half - Fixed
32	1	AMC-2-250OD01	Pulley, Half - Sliding incl. Refs. 33, 34 and 35
33	3	ANS-2-T	Shoe, Cam
34	1	AMB-2	Bushing, Bronze
35	1	111-01	Pin, Spring 5/32 x 1.00
36	1	ACS-3-188	Spring, Blue
37	1	AFC-4-C3D4	Cam
38	1	371-9031-000	Retaining Ring

# 4.0 Power Pack Assembly

# Response Parts Manual

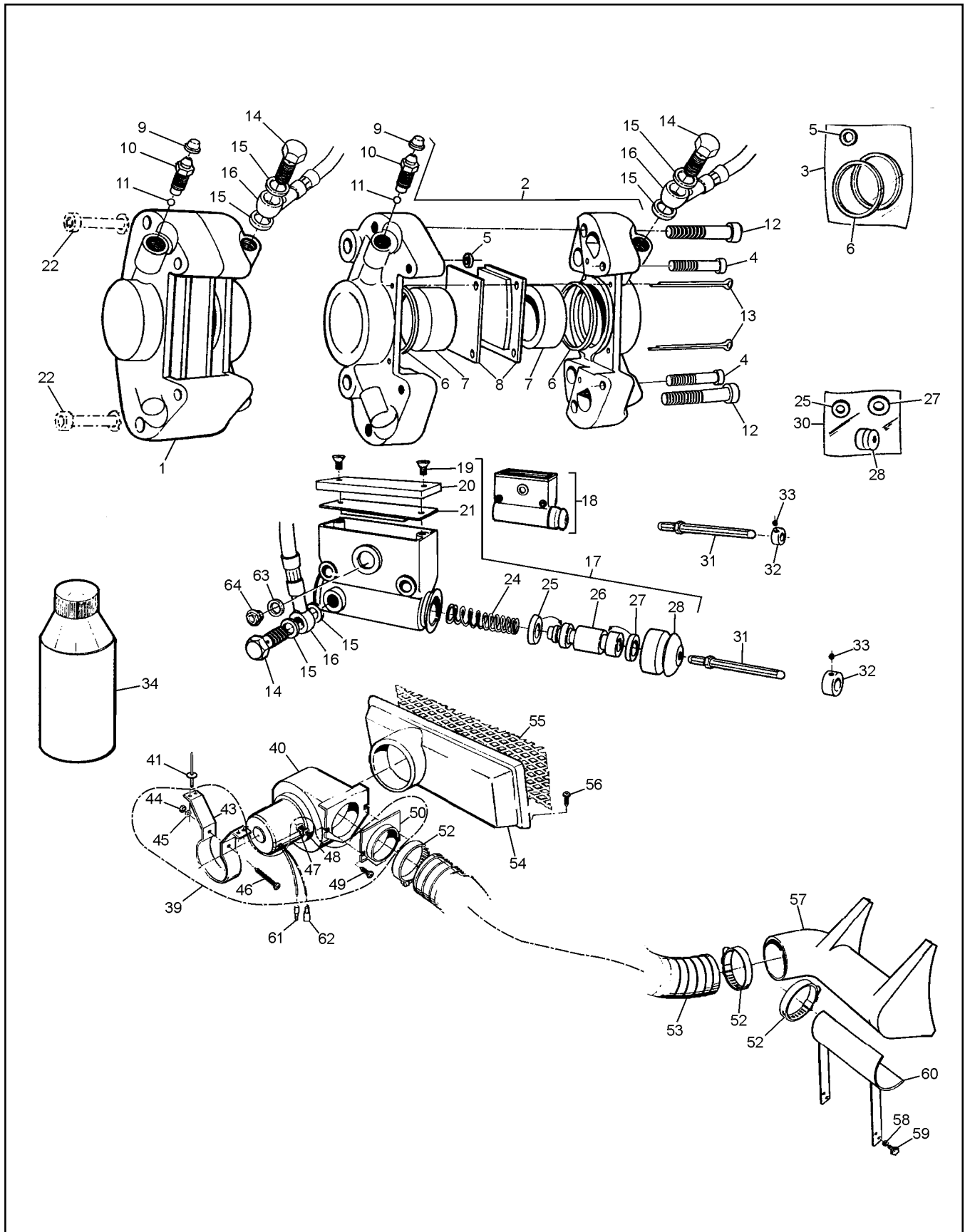




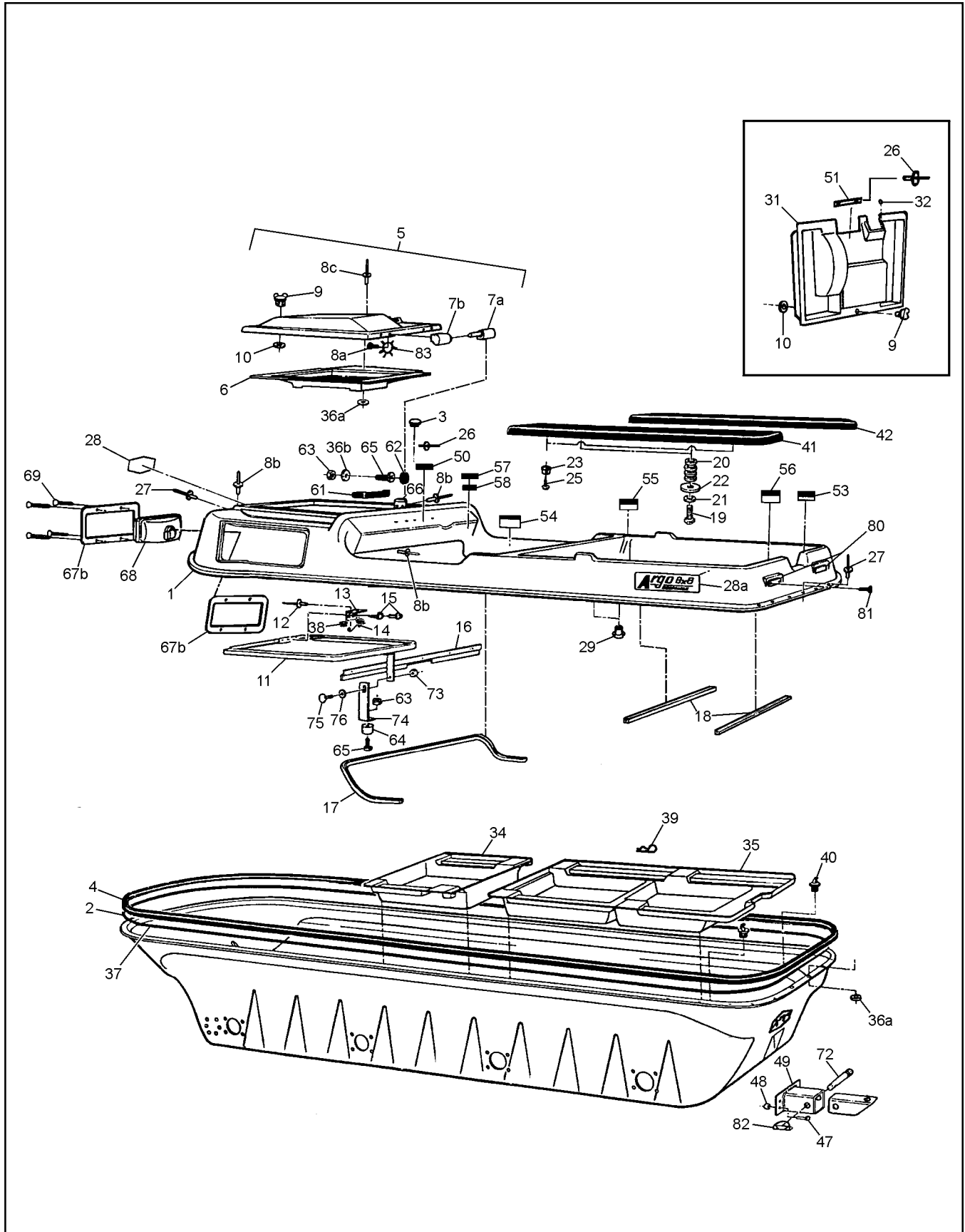
# Response Parts Manual

# 4.0 Power Pack Assembly

Ref.	Qty.	Part #	Description	Ref.	Qty.	Part #	Description
1	1	127-53	Engine - Vanguard 18HP incl Refs 2-14, 17 B&S #3504471282E1	47	2	113-02	O-Ring #106-8309
2	1	125-64	Fuel Filter, G81-4	48	1	810-21	Lever Asm, Brake - RH
3	2	126-74	Spark Plug #3926	49	1	810-20	Lever Asm, Brake - LH
4	1	394018	Filter, Air	53 to 57			<b>See Section 5.0 Brake System</b>
5	1	272490	Element, Foam	58	2	117-27	Locknut, Nylon 1/4-20 Zinc
6	1	110-03	Key 1/4x3/16x2.375 RC46	59	2	103-66	HHCS 1/4-20x4.0 GR5 Zinc
7	1	805458	Spring	60			<b>See Section 3.0 Clutch System</b>
8	1	125-88	Spring, Return	61	1	612-101	Cable Asm, Throttle
8a	1	127-49	Spring, Return	62	1	612-92	Cable Asm, Choke incl 63
9	1	112-28	HHCS 3/8-24x4.5 GR5 Zinc	63	2		Jam Nut, 5/16-24, Part of 62
10	1	805169	Screw-Hex Head (Briggs #)	64	2	108-24	Washer 5/16 SAE Zinc
13	1	805170	Clamp - Casing (Briggs #)	65	1	126-75	Knob, Choke - Black
14	1	601-86	Clip, Retainer	66	2	103-18	HHCS 3/8-24x1.25 GR5 Zinc
17	1	126-95	Filter, Oil	67	2	108-06	Lockwasher 3/8 S/R Zinc
18			<b>See Section 3.0 Clutch System</b>	68	3	108-18	Washer 13/32x1.375x11GA
19	2	811-14	Spacer	69	1	125-56	Drive Belt
21	1	112-57	HHCS 5/8-11x10.0 GR5 Zinc	70	1	103-34	HHCS 3/8-16x1.25 GR5 Zinc
22	3	117-09	Locknut, Nylon 5/8 Zinc	71	1	110-09	Key 1/4 x 1/4 x 3.0
23	3	811-09	Washer, Square Lock .64 ID	77	2	103-17	HHCS 3/8-16x1.0 GR5 Zinc
24	2	811-15	Washer, Square Lock .64 ID	78	2	108-26	Washer 3/8 Zinc
25	2	112-58	HHCS 5/8-11x7.5 GR5 Zinc	79	1	603-29	Guard, Belt Protect
26	8	108-24	Washer 5/16 SAE Zinc	80	1	601-92	Trim, Vinyl - 1.5"
27	4	112-27	HHCS 5/16-18x1.75 Gr5 Zinc	81	1	601-93	Trim, Vinyl - 4.25"
28	4	117-21	Locknut, Nylon 5/16-18 Zinc	86	4	106-07	Retaining Ring N1400-75
30	2	127-35	Grip, Molded Rubber	87	2	127-33	Spring, Extension
31	1	127-81	Throttle Twist Grip	88	3	103-55	HHCS 5/16-18x2.75 Gr5 Zinc
32			<b>See Section 1.0 Transmission</b>	89	3	108-05	Lockwasher 5/16 Zinc
33	as req	108-36	Washer .06x1.00x1.375 Zinc	92	1	850-61	Bracket Asm, Steering
38	2	117-06	Nut, Fin Hex 1/2-13 Zinc	93	1	812-27	Lever Asm, Steering - LH
39	2	103-53	HHCS 3/8-16x3.0 Full Thread	94	1	812-26	Lever Asm, Steering - RH
39a	2	108-07	Lockwasher 1/2 Zinc	96	1	610-81	Shift Gate, Transmission
40	2	103-20	HHCS 1/2-13x6.5 GR5 Zinc	97	2	112-01	HHCS 5/16-8x3/4 Gr5 Zn
43	1	611-71	Frame, Power Pack	101	4	103-41	SHCS 3/8-16 x 1.25 Zinc
45	2	610-80	Brake Disc - #50-2 x 13T	102	4	108-23	Washer 3/8 SAE Gr8 - Dich.
46	2	103-69	SHCS 1/4-20 x 1.5 Zinc	103	2	126-89	Cap, Vinyl - Black



Ref.	Qty.	Part #	Description
1	1	166-01RM	Caliper, Brake-L w/o pads (incl. Refs 5,6,7,9-12)
2	1	166-02RM	Caliper, Brake-R w/o pads (incl. Refs 5,6,7,9-12)
3	2	161-01	O-Ring Kit, Caliper (incl. Refs 5 & 6)
4	2	160-40	SHCS M8 x 1,25 x 40 Zinc
5	1		Seal, Rubber-5mm (see Ref 3)
6	2		Seal, Piston-41mm (see Ref 3)
7	2x2	168-05	Piston 41mm
8	1	170-02	Brake Pad Set (4)- Non-asbestos
9	1x2	168-20	Plug, Rubber
10	1x2	168-03	Screw, Bleeding M10 x 1,0
11	1x2	109-03	Ball, Steel - 7/32 Dia.
12	2x2	160-41	SHCS M10x1,5x50mm Zinc
13	2x2	168-06	Pin, Cotter 3,2 x 50mm
14	4	160-44	Bolt, Banjo-M10x1,0x21,0 Zinc
15	8	160-01	Washer, Copper - 1,5x10,0x14,0
16	1x2	163-01	Hose Asm, Hydraulic-310mm
17	1	165-06	Master Cylinder -left (incl. Refs 19 to 21, 24 to 28, 63 & 64)
18	1	165-05	Master Cylinder - right (incl. Refs 19 to 21, 24 to 28, 63 & 64)
19	2x2	160-42	FHMS M5 x 0,8 x 6mm
20	1x2	168-08	Cover
21	1x2	168-09	Cover, Rubber
22			<b>See Section 4.0 Power Pack Assembly</b>
24	1x2	162-02	Spring, comp. 0.59 x 1.5
25	1x2		Seal, Primary,19mm (See Ref. 30)
26	1x2	168-10	Piston 19mm Dia.
27	1x2		Seal, Secondary, 19mm (See Ref. 30)
28	1x2		Boot, Rubber (See Ref. 30)
30	1x2	161-25	O-Ring Kit-Master Cylinder (incl. Refs 25, 27 & 28)
31	2	812-13	Pin Asm, Plunger-Adjustable
32	2	812-17	Collar
33	2	112-02	SHSS 10-24x1/4 Knurl Cup Pt,PL
34		126-19	Fluid, Brake-Silicon Dot 5 - .35L
39	1	125-92	Adpt. & Mounting Kit - Fan (incl. Refs 43 to 50)
40	1	125-91	Blower Fan
41	4	120-13	Rivet 3/16x5/8 - Black
43	1		Mounting Bracket
44	1		Nut, #10-32
45	1	See	Lockwasher, 3/16"
46	1	125-92	Screw, #10-32 x 2"
47	2	Above	Nut, 1/4-20
48	2		Lockwasher, 1/4"
49	2		Screw, 1/4-20 x 5/8"
50	1		Adaptor, 3" Dia.
52	3	125-35	Clamp, Gear 3.50" HF-52
53	1	127-44	Hose, Intake 3" dia. x 46"
54	1	601-89	Intake Flange (specify colour)
55	1	126-61	Intake Screen
56	4	112-56	Pan HD Phil T/S #10x3/4 A Zinc
57	1	127-39	Brake Cool Air Duct
58	4	108-03	Lockwasher 1/4 Split ring
59	4	112-19	Screw, IHWH T/C Slot 1/4-20x1/2
60	1	668-11	Mounting Bracket - Duct
61	1	118-02	Terminal, Male #76-1251
62	1	118-03	Terminal, Female#76-1289
63	1x2	160-03	O-Ring, Oil Window
64	1x2	168-14	Oil Window, Master Cylinder

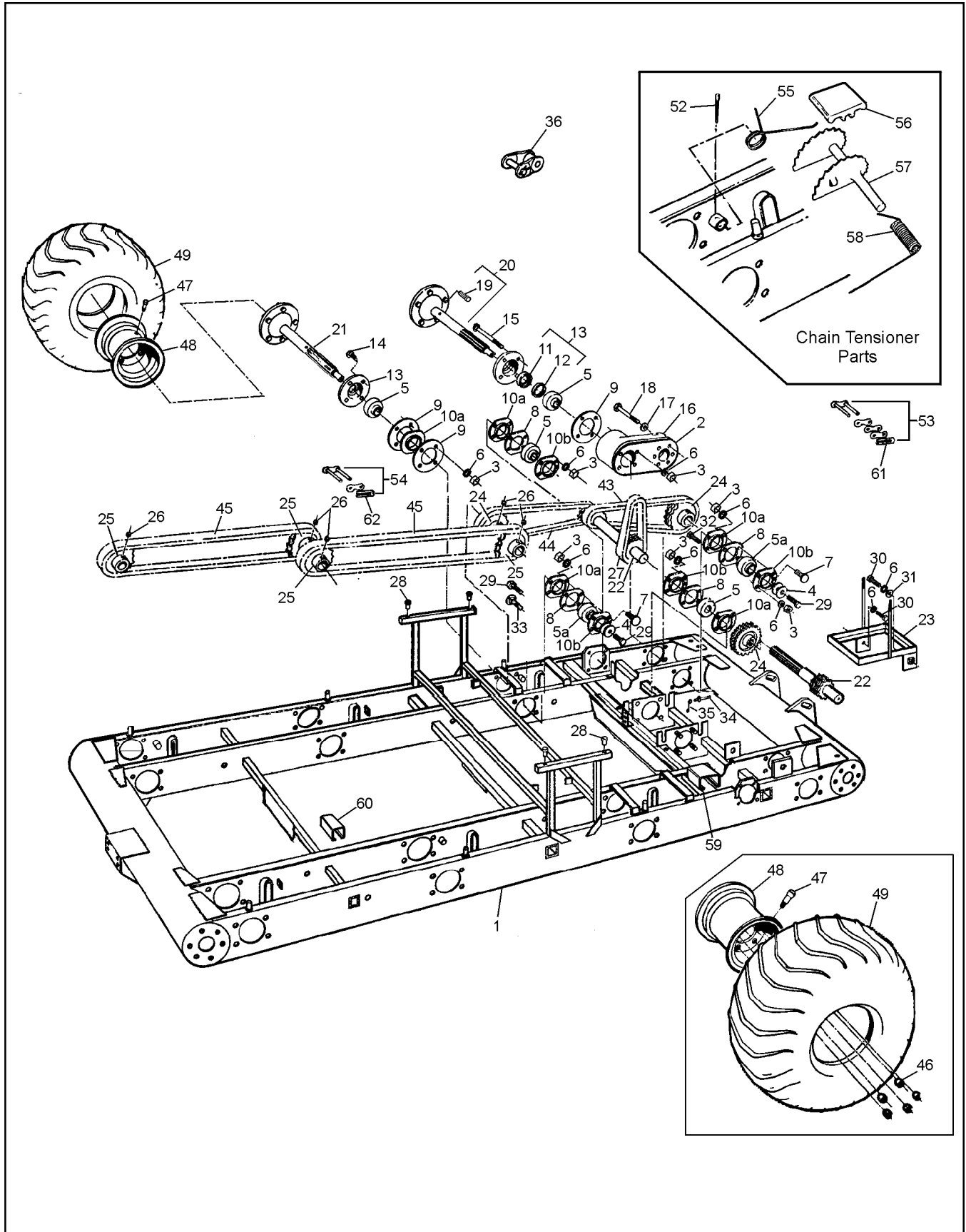


# Response Parts Manual

# 6.0 Vehicle Body & Firewall

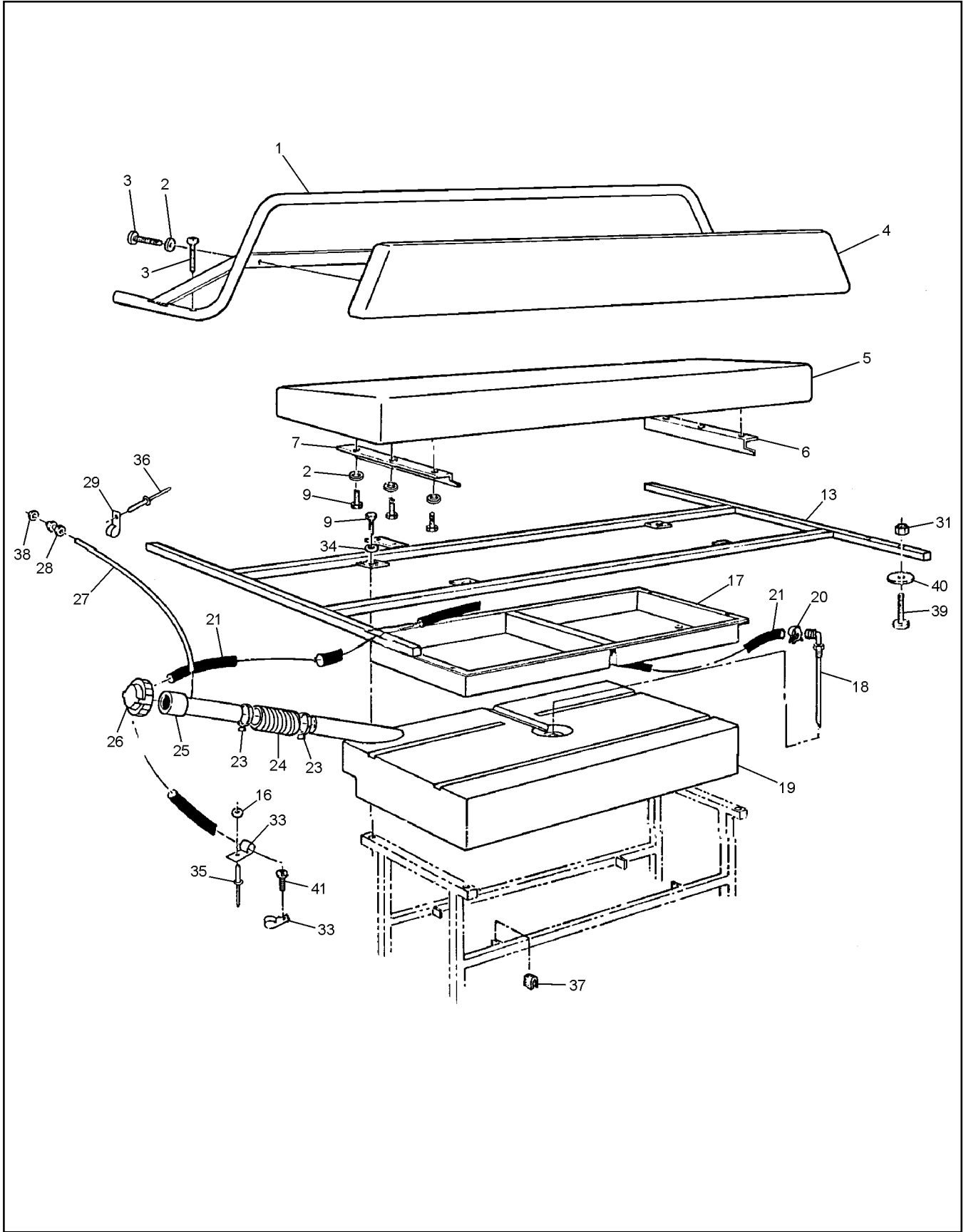
Ref.	Qty.	Part #	Description
1	1	801-44	Body & Hood, Upper - Response Replacement, specify colour (incl. Ref 5b, 11 to 15 & 38)
2	1	801-45BL	Body, Lower - Response, Black
3	1	127-28	Plug, Nylon - Black
4	1	801-05	Bumper, Vinyl - 8x8
5	1	602-37	Hood Kit - Response, (specify colour) (incl. Ref 6 to 10 and 36c)
6	1	801-47	Duct, Intake Transition (specify colour)
7a	2	127-45A	Pin, Hinge
7b	2	127-45B	Knuckle, Hinge
8a	8	103-47	HHCS 10-24x1/2 Zinc
8b	12	120-13	Rivet 3/16 x 5/8
8c	10	120-09	Rivet 3/16x1
9	2	126-10	Wing Stud
10	2	126-09	Grommet, Alum. #GH-7
11	1	602-24	Hood Frame Assembly
12	2	120-15	Rivet 1/8 x 7/16
13	1	601-69	Spring Plate
14	1	126-11	Spring
15	2	112-19	Screw, IHWH T/C Slot 1/4-20x 1/2
16	1	602-29	Brace, Dash
17	1	601-08	Vinyl Trim, 84"
18	2	601-09	Vinyl Trim, 28"
19	4	112-04	HHCS 1/4-20x3/4" Gr2 Zinc
20	16	108-25	Washer 1/4 Zinc
21	4	108-03	Lockwasher, 1/4 Split Ring
22	4	801-41	Washer, Seat
23	4	126-79	Bumper, Plastic - Black
25	4	103-48	T/S Pan HD Phil #10 5/8 A Zc
26	38	120-24	Rivet, Alum - 3/32x3/8-all plates
27	85	120-09	Rivet 3/16 x 1
28	1	601-44	Nameplate, ARGO
28a	2	127-42	Nameplate, 8x8 Response
29	4	117-44	T-Nut 1/4-20 PL
31	1	609-33	Firewall Asm. (incl. 9, 10, 26, 32, 51)
32	1	125-84	Grommet, Rubber
34	1	803-02	Floor Pan, Front (specify colour)
35	1	803-03	Floor Pan, Rear (specify colour)

Ref.	Qty.	Part #	Description
36a	65	120-04	Washer .195IDx.50ODx.08 Zinc
36b	2	120-05	Washer .195IDx.50ODx.04 Zinc
37	1	120-60	Vinyl Strip 1/2x1/4x37.5
38	2	120-05	Washer
39	6	100-16	Clip, Hitch Pin 1.625 Zinc
40	2	100-18	Plug, Drain 5/8x13/32
41	1	801-03	Seat, Rear LH - 8x8
42	1	801-02	Seat, Rear RH - 8x8
47	4	103-61	HHCS 3/8-24x1.5 GR5 Zinc
48	4	117-24	Locknut, Nylon 3/8-24 Zinc
49	1	616-16	Hitch Assembly
50	1	127-97	Plate, Caution - Keyswitch
51	1	126-65	Shifting Plate
53	1	126-67	Floor Pan Plate
54	1	126-68	Operation Plate
55	1	126-69	Fuel Plate
56	1	127-76	Plate, Capacity - Land/Water
57	1	126-64	Vehicle ID Plate
58	1		U.S. Plate, Non U.S. Argos only
61	1	125-41	Dash Handle, incl. 62
62	2		Plug cap, avail. only with 61
63	3	117-10	Locknut, Nylon #10-24 Zinc
64	1	126-88	Bumper, Rubber
65	3	103-25	PHMS #10-24x3/4 Zinc
66	1	602-38	Clip, Hood
67a	2	613-75	Bezel, Headlamp
67b	2	613-76	Bracket, Headlight Backing
68			<b>See Section 9.0 Electrical System</b>
69	8	103-24BL	OHPS T/S #6 x 1.0 Black Zinc
71	1	616-19	Tube, Hitch - Insert
72	1	104-13	Pin, Top Link
73	1	117-15	Nut, Fin. Hex 3/8-16 Zinc
74	1	602-27	Support, Adjustable
75	1	103-89	C/Bolt 3/8-16x3/4 GR2 Zinc
76	1	108-06	Lockwasher 3/8 Zinc
80	2	127-01	Reflector, Red
81	4	103-48	T/S Pan HD Phil #10x5/8 A Zinc
82	1	104-11	Pin, Lynch
83	8	108-59	Lockwasher #10 Int. Tooth Zinc



Ref.	Qty.	Part #	Description
1	1	806-00	Frame Asm - 8x8
2	2	605-69	Gasket - Bearing Extension
3	80	117-15	Nut, Fin Hex 3/8-16 Zinc
4	16	108-46	Washer .40x1.37x.12 Hi-Carbon
5	12	101-35	Bearing, Ball - 1.25
5a	8	101-41	Bearing, Ball - 1.0
6	82	108-06	Lockwasher 3/8
7	30	103-88	C/Bolt 3/8-16x1.0 Gr5 Zc
8	12	605-99	Gasket, Flange - Inner
9	14	605-89	Gasket, Flange - Outer
10a	18	605-63	Flange - 4 hole
10b	12	101-20	Flange, Greasable - 4 hole
11	8	102-14	Seal, Oil 1.25x1.75x0.188
12	8	102-15	Seal, Oil 1.25x1.874x0.25
13	8	605-97	Flange Asm, Outer (incl. Refs. 11 & 12)
14	24	112-39	C/Bolt 3/8-16x1.75 Gr5 Zc
15	8	103-67	C/Bolt 3/8-16 x 6 Gr2 Zc
16	2	810-36	Bearing Extension (uses Refs. 17 & 18)
17	12	108-34	Washer 7/16 SAE Zinc
18	12	103-81	HHCS 7/16-20x2.5 Gr5 Zc
19	5x8	103-80	Stud, Wheel 7/16-20x1.125 #B271
20	2	810-73	Axle Asm - Front/Rear (incl. Ref. 19)
21	6	810-75	Axle Asm - Mid (incl. Ref. 19)
22	2	810-32	Shaft, Idler - 11T
23	1	604-84	Frame Asm, Battery
24	6	810-28	Sprocket, Double - 24T
25	8	606-34	Sprocket, S60x19T
26	10	112-03	SHSS 5/16-18x3/8 1/2 DOG, PL
27	2	803-17	Chain, Idler RC50-2x40P (incl. Ref. 53)
28	4	117-64	Insert, 1/4-20
29	12	112-31	HHCS 3/8-16x1.0 2B Gr8 Zc
30	2	112-14	HHCS 3/8-16x.75 Gr5 Zc
31	1	108-15	Washer 3/8 SAE Zc
32	2	103-82	HHCS 3/8-16x1.5 Gr5 Zc
33	4	112-61	C/Bolt 3/8-16 x 1.25 Gr5 Zc
34	2	120-15	Rivet 1/8x7/16
35	1	126-11	Spring
36		127-80	Link, Half - RC60 - 1 (opt.)
43	2	603-17	Chain, RC50-2 x 42P-Front (incl. Ref. 53)
44	2	603-20	Chain, RC50-2 x 70P-Mid (incl. Ref. 53)
45	4	603-93	Chain, RC60-1 x 84P-Rear (incl. Ref. 54)
46	5x8	117-35	Nut, Wheel 7/16-20 Zc
47	8	125-26	Valve, Tire
48	8	125-13C	Rim - Charcoal
49	8	126-96	Tire, Goodyear Runamuk 22x10-8
52	6	100-01	Pin, Cotter 1/8x1.50 Zc
53	1x6	100-96	Con. Link, RC50-2 H.D.
54	1x4	603-84	Con. Link, RC60-1 H.D.
55	6	127-65	Spring Torsion - 1.16x0.35
56	6	606-39	Slider Block -1/2" Shaft
57	6	606-35	Tensioner Asm, Chain
58	6	127-64	Spring, Torsion - .76x1.9
59	2	606-41	Slide, Chain - 2"
60	4	606-42	Slide, Chain - 1.25"
61	6	603-95	Spring Clip - RC50 Closed
62	6	603-96	Spring Clip - RC60 Closed

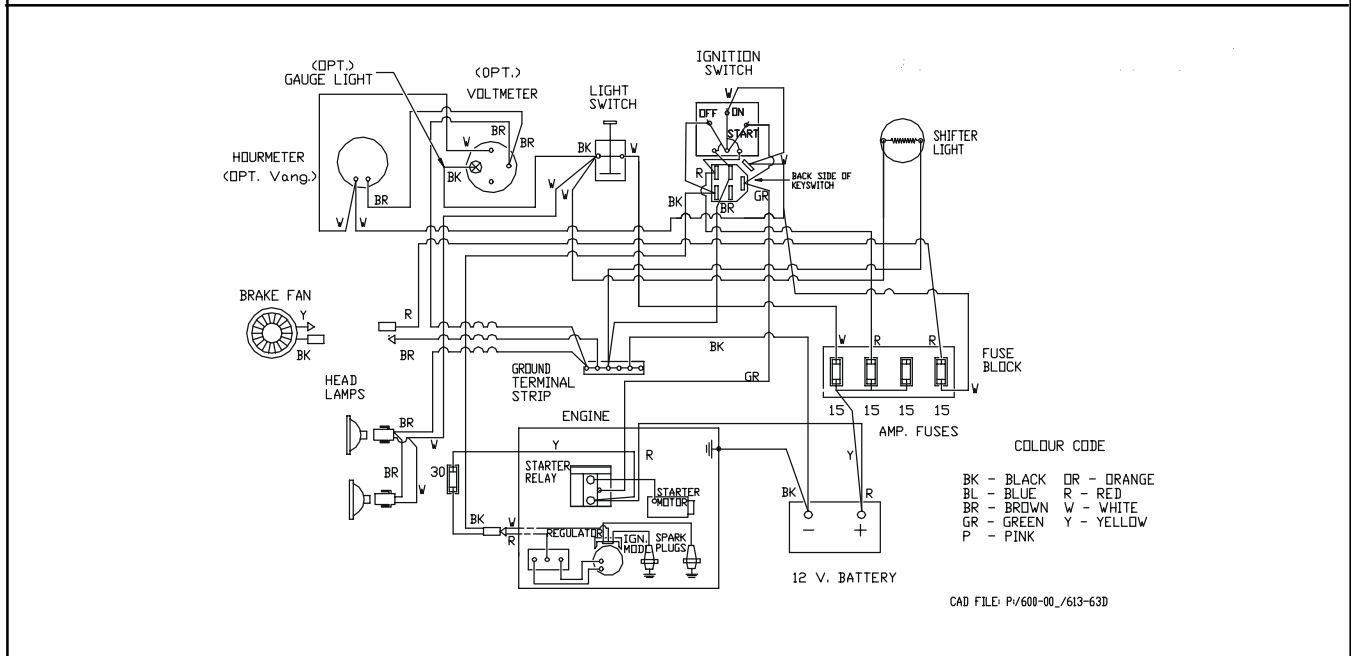
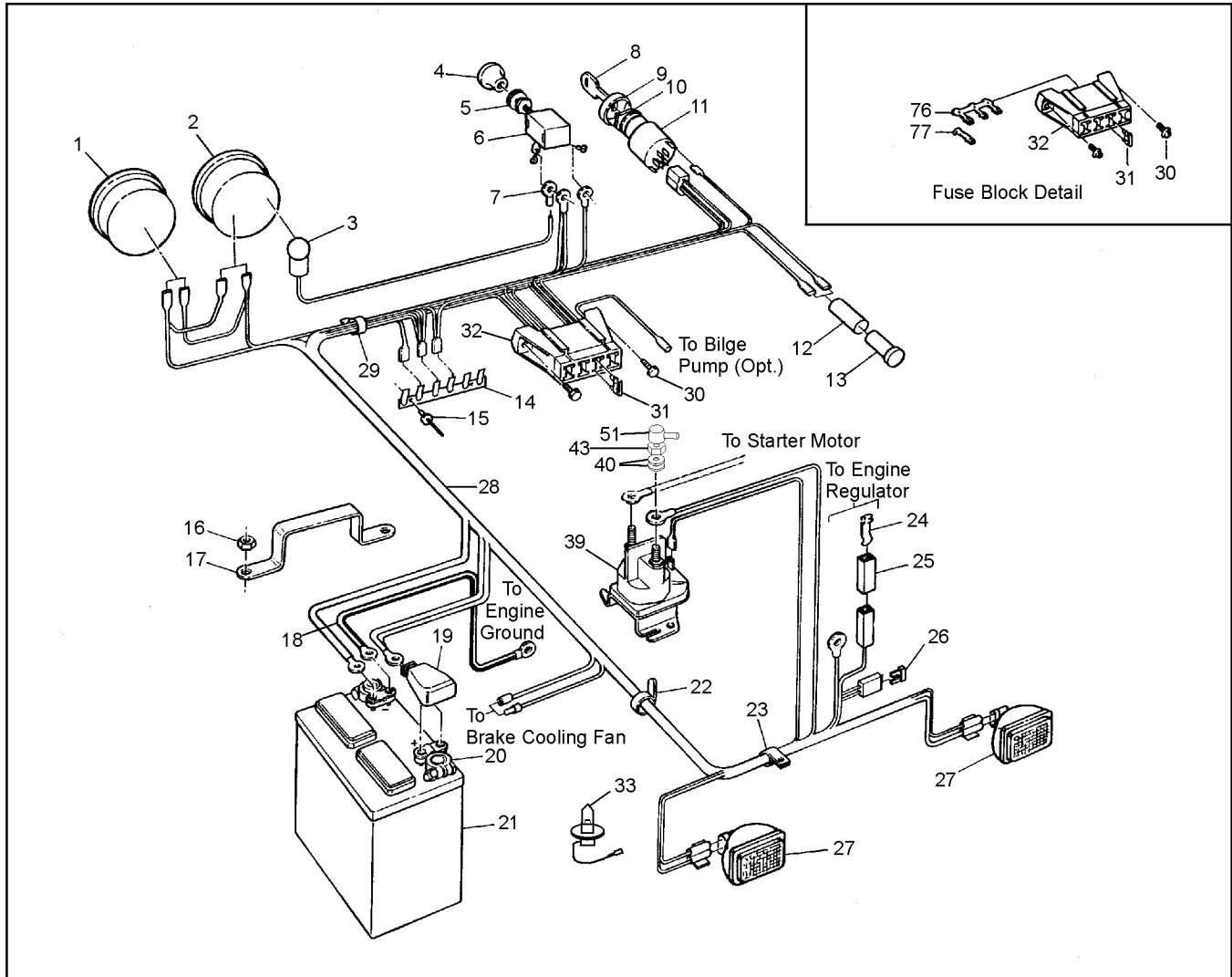
# 8.0 Fuel System & Seat Assembly Response Parts Manual





# Response Parts Manual 8.0 Fuel System & Seat Assembly

Ref.	Qty.	Part #	Description
1	1	803-50	Handrail Assembly
2	4	108-03	Lockwasher, Split Ring 1/4"
3	6	112-41	PHMS, PHIL 1/4-20x1.25 Zinc
4	1	608-39	Back Pad Assembly
5	1	608-43	Seat, Bench
6	1	608-30	Angle, Left
7	1	608-31	Angle, Right
9	10	112-04	HHCS 1/4-20x3/4 Gr2 Zinc
10	6	108-03	Lockwasher, Split Ring 1/4" Zinc
13	1	804-17	Frame Assembly, Seat
16	2	120-04	Washer .195IDx.50ODx.08 Zinc
17	1	608-32	Tool Box
18	1	608-28	Pickup Assembly, Fuel (see Ref. 19)
19	1	608-24	Tank, Fuel 32 litre (incl. Ref. 18)
20	2	100-70	Clamp, Gear 1/2" HF-4
21	1	608-42	Fuel Hose - 110"
23	2	100-12	Clamp, Gear 2.25" HF-36
24	1	125-94	Hose, Filler
25	1	126-47	Neck Assembly, Fuel
26	1	126-46	Cap, Fuel
27	1	127-21	Hose, Vent 86"
28	1	126-50	Male Connector, 1/4"
29	5	126-94	Clamp, Nylon Wire - 1/4" ID
31	12	117-10	Locknut, Nylon #10-24 Zinc
33	4	126-93	Clamp, Nylon Wire - 1/2" ID
34	4	108-08	Washer, .28 x .62 x .04 Zinc
35	3	120-09	Rivet 3/16x1
36	5	120-13	Rivet, 3/16 x 5/8
37	4	702-06	Foam Cushion
38	1	117-54	Locking PAL Nut, 1/2-20 Zinc
39	12	112-07	RHMS 10-24 x 1.25 Zinc
40	12	108-42	Washer .062x7/32x1.00 Zinc
41	1	103-48	T/S PAN HD PHIL #10x5/8 A Zinc



Ref.	Qty.	Part #	Description
1	1	632-15	Hourmeter #56458-10 (#876EM)
2	1	633-10	Voltmeter #07583-15 (#830EM)
3	2	634-10	Light Kit, #06215-00 5/8" dia, see Ref. 32 & 33 (opt.)
4	1	126-76	Knob, Light
5	1	108-55	Lockwasher 7/16 Ext. Tooth
6	1	100-62	Switch, Light
7	1	118-30	Terminal, Eye - #10
8	2	127-108	Key,molded
9	1	127-107	Cover, nut
10	1	127-106	Nut, flanged - plastic
11	1	127-105	Switch - Egnition
12	1	118-48	Heat Shrink
13	1	634-08	Light, Indicator
14	1	613-37	Terminal Strip, Ground
15	2	120-15	Rivet 1/8 x 7/16
16	2	117-21	Locknut, Nylon 5/16-18 Zinc
17	1	604-52	Bracket, Battery Retaining
18	1	613-14	Ground Wire
19	1	127-55	Cap, Battery Terminal - Red
20	2	127-56	Terminal, Battery Post
21	1	127-54	Battery
22	8	100-64	Tie Wrap - 5.5" - Black
23	10	126-93	Clamp, Nylon Wire - 1/2" ID
24	1	118-56	Contact
25	1	118-57	Connector Housing
26	1	118-51	Fuse, 30A 2-prong (AT030)
27	2	613-69	Headlamp, Halogen (incl. Ref. 33)
28	1	613-72	Wire Harness
29	1	127-24	Clamp, Nylon - 1" ID
30	2	112-51	Screw, IHWH T/C #10-24x5/8
31	4	118-49	Fuse, 15 A 2-prong (AT015)
32	1	118-60	Block Fuse - 8 position (4 fuse)
33	2	127-46	Bulb, Headlight - Halogen
39	1	613-68	Starter Relay
40	5	108-03	Lockwasher 1/4 Zinc
43	2	117-20	Nut, Fin. Hex 1/4-20 Zinc
51	1	613-45	Insulator, Terminal (6 ga.)
76	1	118-63	Terminal, Fuse - Triple
77	5	118-62	Terminal, Fuse - Single

# **ARGO** Products Manufactured by:

## **Ontario Drive & Gear Limited**

P.O. Box 280, 220 Bergey Court  
New Hamburg, Ontario  
Canada N0B 2G0  
Phone: (519) 662-2840  
Fax: (519) 662-2421

**ODG** *Dedicated to quality and performance*