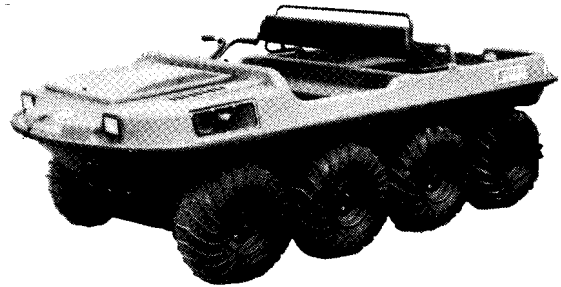


Argo 8x8
RESPONSE



ARGO

RESPONSE PARTS MANUAL

Model No. V899-65
From Serial #RB ~~17004~~ 16104
16104

Foreword

ODG has prepared this parts manual for the RESPONSE model to assist both qualified mechanics and vehicle owners in ordering correct, quality replacement ARGO parts.

Proper and regular service, and replacing old, worn or broken parts with the correct ARGO replacement parts, are both essential to prolonging the life of the ARGO. Please refer to this parts manual before ordering any replacement part.

All information contained in this RESPONSE Parts Manual is based on the latest product specification available at time of printing. If your RESPONSE differs from the specifications contained in this manual, contact Ontario Drive & Gear Limited for information.

ODG reserves the right to alter specifications on the RESPONSE model at any time, without obligation or prior notification.

Reproduction of the RESPONSE Parts Manual No. 899-65, in whole or in part, is prohibited without prior written permission from Ontario Drive & Gear Limited.

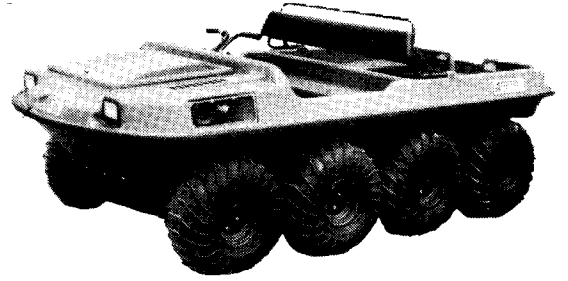
Model Identification

RESPONSE - Model No. V899-65

Explanation of Parts Manual Format

| | |
|--------------------|--|
| Ref | - Reference number between assembly diagram and component parts list |
| Part No. | - Argo replacement part number for identification and re-ordering |
| Description | - Part description for identification and re-ordering |
| Qty | - Indicates the quantity of a part used in an Assembly |

Argo 8x8 RESPONSE

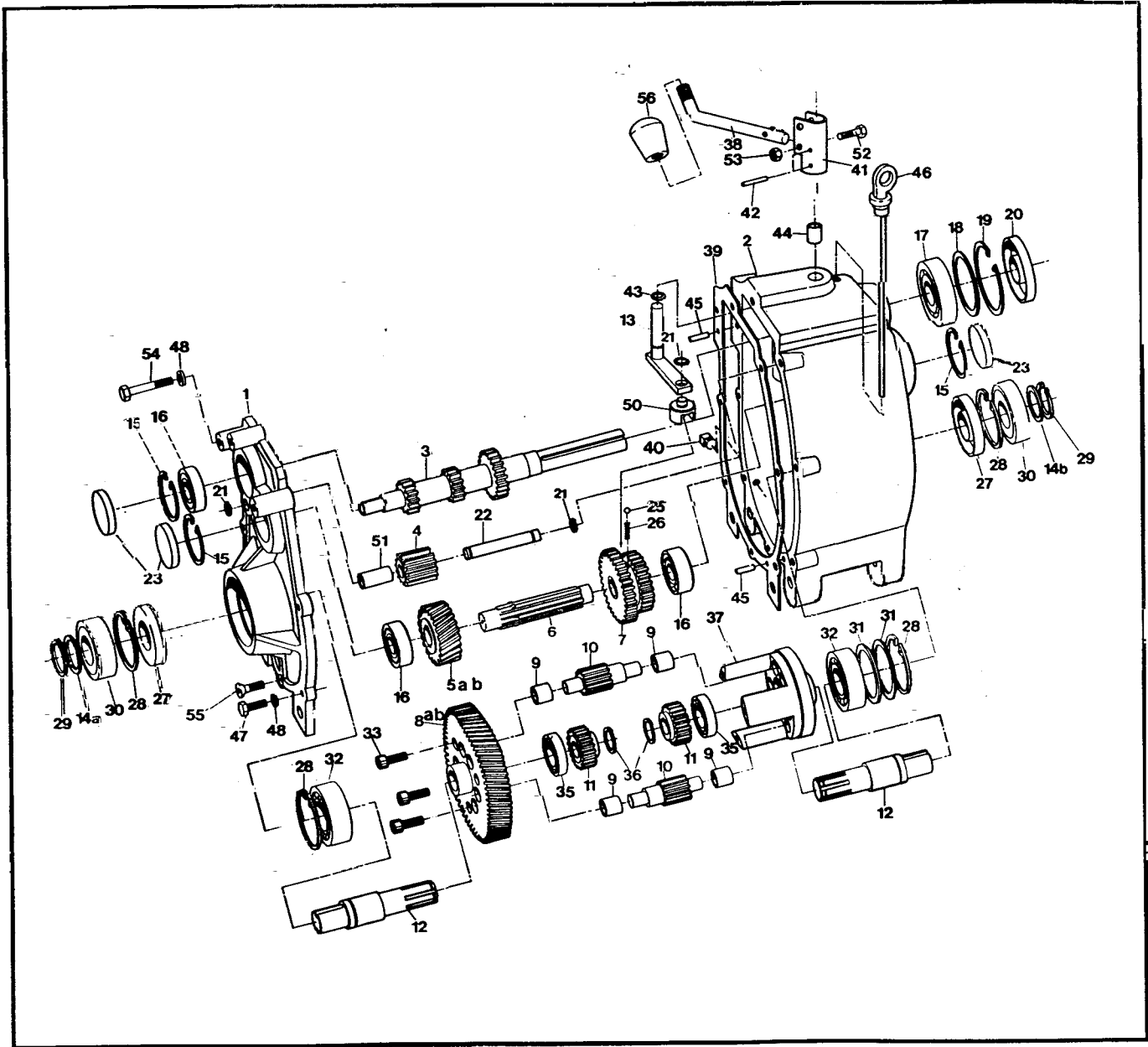


Using the Parts Manual

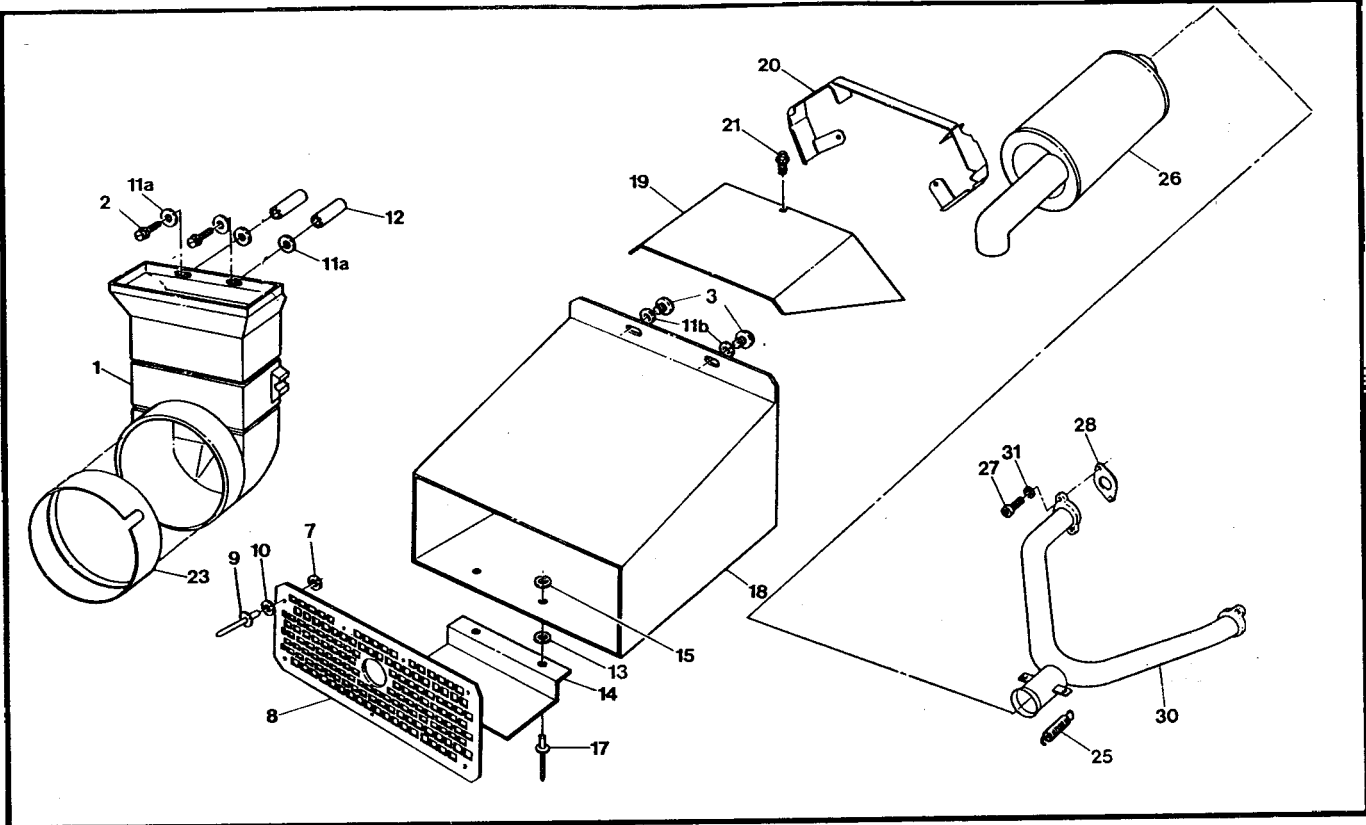
1. Find the major vehicle assembly in the Table of Contents on this page, and turn to that section.
2. Locate the part in the illustration that you wish to order.
3. Refer to the parts list in that section.
4. Find the correct part number (Part No.), part description (Description) and correct quantity (Qty).
5. Use only this information to order ARGO replacement parts. *DO NOT* attempt to order a replacement part by reference number or page number.

Table of Contents

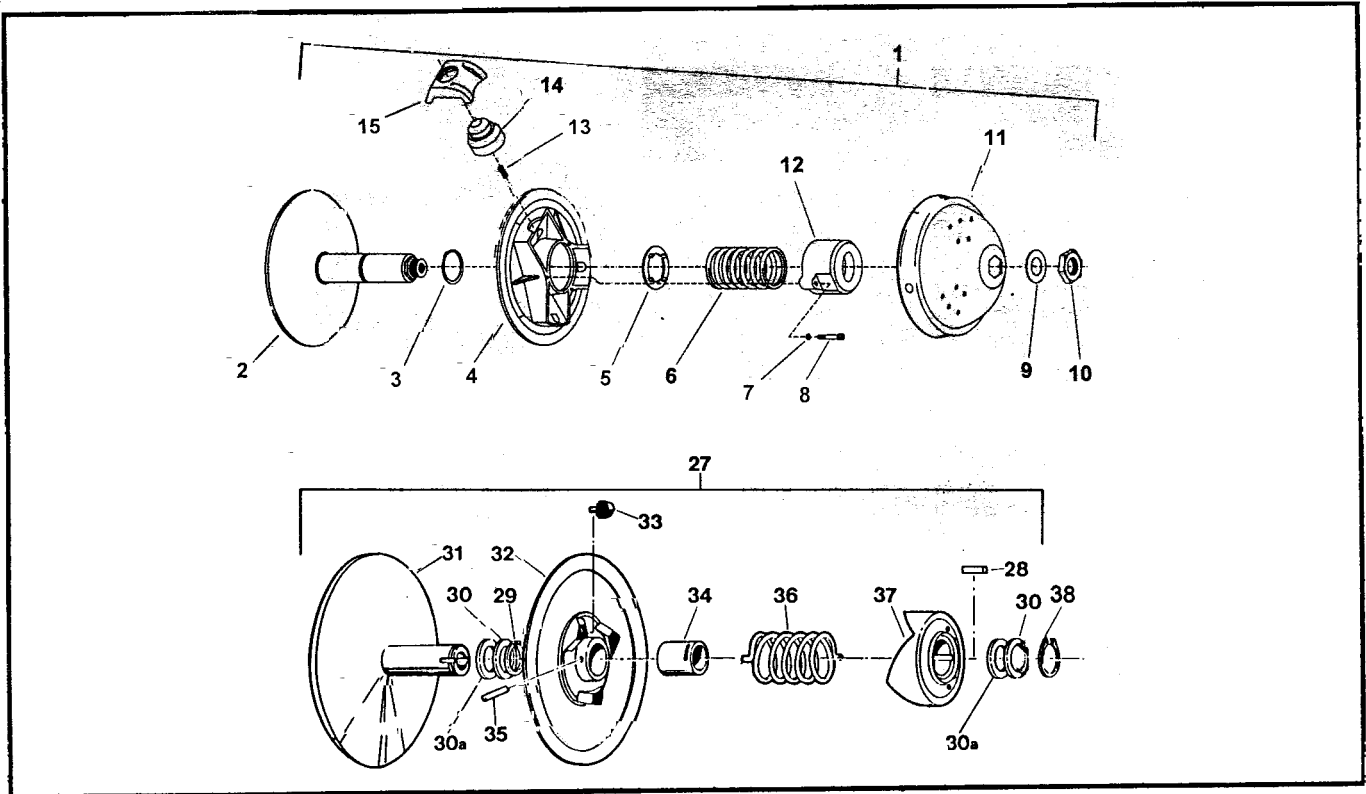
| | |
|---------------------------------------|----|
| Foreword | i |
| Model Identification | i |
| Using the Parts Manual | ii |
| 1.0 Transmission | 1 |
| 2.0 Intake and Exhaust System | 3 |
| 3.0 Clutch System | 3 |
| 4.0 Power Pack Assembly | 5 |
| 5.0 Brake System | 7 |
| 6.0 Vehicle Body & Firewall | 9 |
| 7.0 Frame & Drive System | 11 |
| 8.0 Fuel System & Seat Assembly | 13 |
| 9.0 Electrical System | 15 |



| Ref | Qty | Part No. | Description |
|-----|---------|----------|--|
| | 1 | 610-17MU | Transmission Asm - MU, does not include Refs 38, 52, 53 & 56 uses Ref 5a & 8a |
| | | 610-17GU | Transmission Asm - GU, does not include Refs 38, 52, 53 & 56 uses Ref 5b & 8b |
| 1 | 1 | 34-68 | Cover, Transmission |
| 2 | 1 | 34-99 | Housing, Transmission |
| 3 | 1 | 34-21 | Shaft, Input - 13/21T |
| 4 | 1 | 34-16A | Gear, Idler 13T (incl. Ref. 51) |
| 5a | 1 | 34-95 | Gear, Helical - 24T (MU) |
| 5b | 1 | 34-97 | Gear, Helical - 21T (GU) |
| 6 | 1 | 34-94 | Shaft, Splines |
| 7 | 1 | 34-91 | Gear, Double - 26/33T |
| 8a | 1 | 34-22 | Gear Plate - 73T (M) |
| 8b | 1 | 34-45 | Gear Plate - 76T (G) |
| 9 | 12 | 105-03 | Bushing, Oilite |
| 10 | 6 | 34-13 | Gear, Planet - 12T |
| 11 | 2 | 34-14 | Gear, Sun - 21T |
| 12 | 2 | 34-81 | Shaft, Output |
| 13 | 1 | 34-65 | Shifter Asm |
| 14a | 1 | 114-04 | Washer, Shim .040 Thk |
| 14b | 1 | 114-05 | Washer, Shim .020 Thk |
| 15 | 3 | 106-01 | Retaining Ring |
| 16 | 3 | 101-01 | Bearing, Ball 6204Z-C3 |
| 17 | 1 | 101-16 | Bearing, Ball 6206-C3 |
| 18 | as req. | 114-02 | Washer, Shim |
| 19 | 1 | 106-05 | Retaining Ring |
| 20 | 1 | 102-05 | Seal, Oil WBS 30x62x10 |
| 21 | 3 | 107-05 | Retaining Ring N1400-50 |
| 22 | 1 | 34-11 | Pin, Dowel 1/2 x 3.50 |
| 23 | 3 | 31-07 | Plug Plate |
| 25 | 1 | 109-05 | Ball, Steel 6mm 62-67 Rc |
| 26 | 1 | 34-32 | Spring, Compression - 7/32 x 0.50 |
| 27 | 2 | 102-03 | Seal, Oil WBS 30x72x10 |
| 28 | 4 | 106-03 | Retaining Ring |
| 29 | 2 | 107-02 | Retaining Ring |
| 30 | 2 | 101-05 | Bearing, Ball 6306-2NSE C3 |
| 31 | 2 | 114-01 | Washer, Shim 2.25x2.81x.02 |
| 32 | 2 | 101-03 | Bearing, Ball 6207-C3 |
| 33 | 3 | 103-04 | SHCS 5/16-18 x 1.0 Bare |
| 35 | 2 | 101-15 | Bearing, Ball 6005-C3 |
| 36 | 2 | 107-04 | Retaining Ring |
| 37 | 1 | 34-08 | Cage |
| 38 | 1 | 610-77 | Lever, Shift |
| 39 | 1 | 34-47 | Gasket, Cover - 1/64" Thk |
| 40 | 1 | 103-02 | Plug, Magnetic 3/8 - 18 NPT Sq. Hd. |
| 41 | 1 | 34-86 | Holder, Shift Lever |
| 42 | 2 | 111-01 | Pin, Spring 5/32 x 1.00 - Slotted |
| 43 | 1 | 113-01 | O-Ring 012-7147 |
| 44 | 1 | 105-02 | Bushing, Oilite 1/2 x 1.0 |
| 45 | 2 | 104-03 | Pin, Dowel 1/4 x 7/8" long |
| 46 | 1 | 34-77 | Dipstick - with Breather |
| 47 | 4 | 103-06 | HHCS 5/16-18x1.0 GR5 Zinc |
| 48 | 7 | 108-05 | Lockwasher 5/16 Zinc |
| 50 | 1 | 34-63 | Shift Yoke |
| 51 | 1 | 105-05 | Bushing, Oilite 1/2 x 1.5 (in Ref 4) |
| 52 | 1 | 103-97 | HHCS 1/4-20x1.25 GR5 Zinc |
| 53 | 1 | 117-27 | Locknut, Nylon 1/4-20 Zinc |
| 54 | | | See Section 4.0 Power Pack Assembly |
| 55 | 1 | 103-95 | FHSC 5/16-18x1.0 GR8 Zinc |
| 56 | 1 | 126-38 | Knob, Shift |



3.0 Clutch System

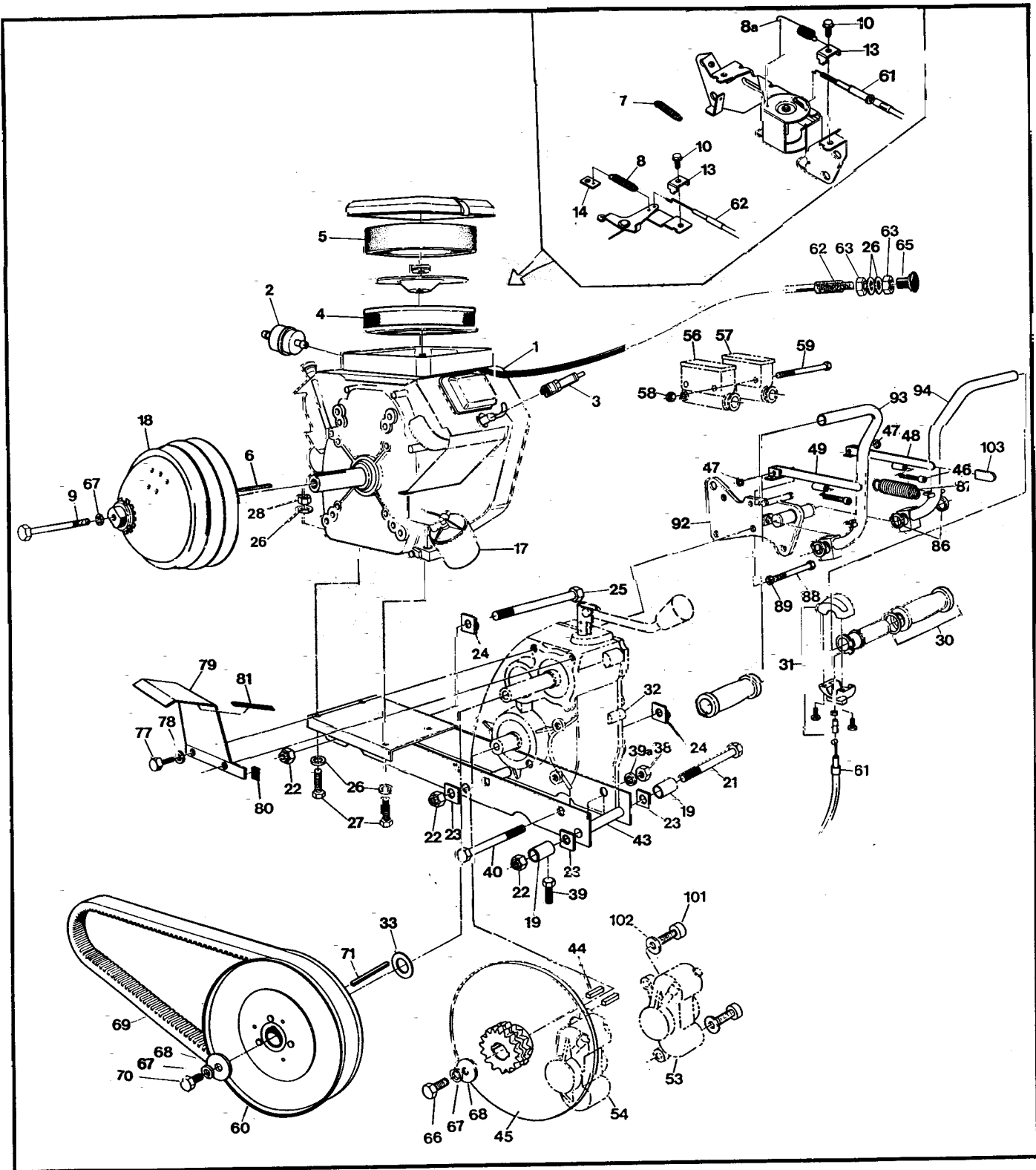


Response Parts Manual 2.0 Intake and Exhaust System

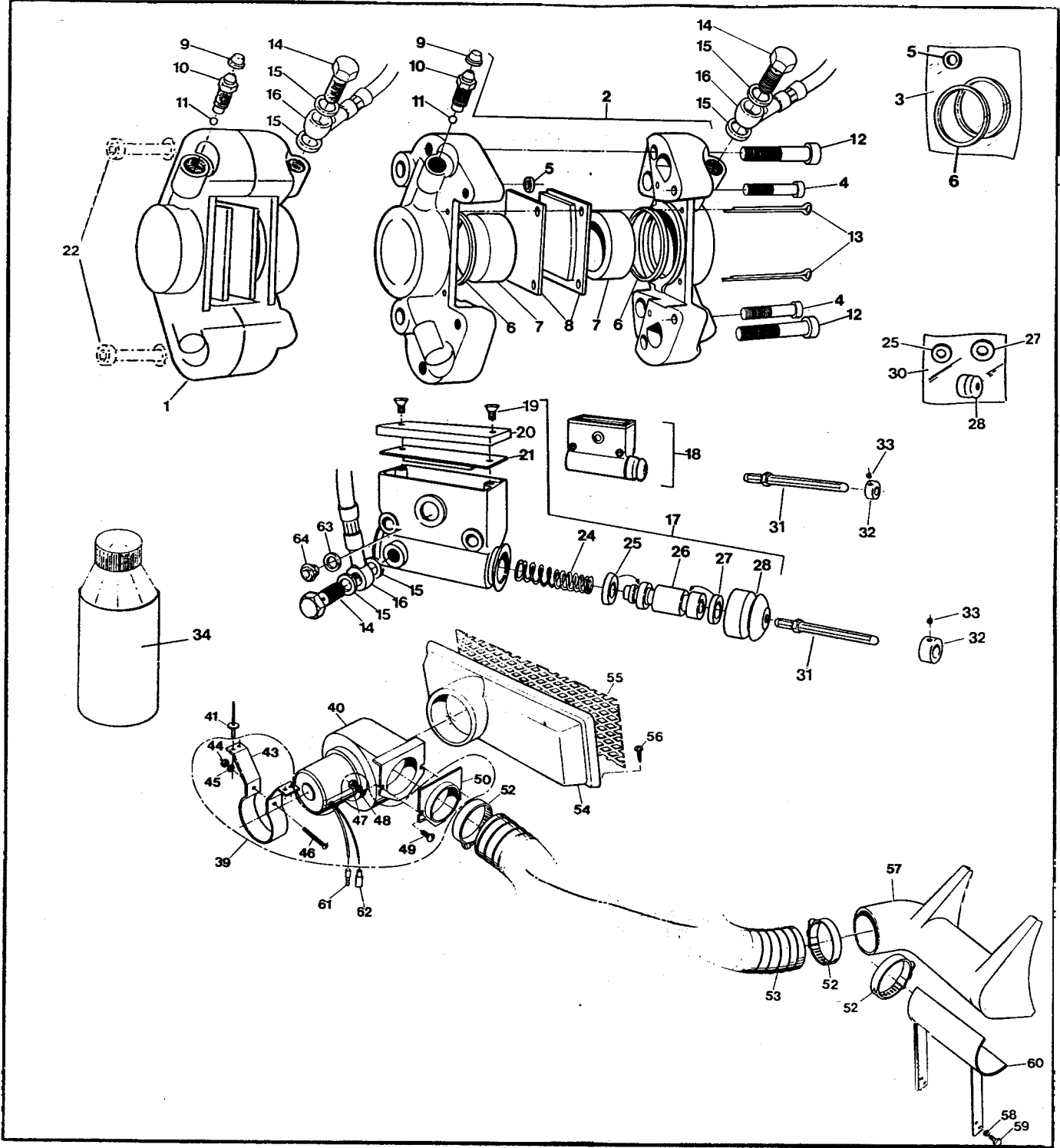
| Ref | Qty | Part No. | Description |
|-----|-----|----------|---------------------------------|
| 1 | 1 | 603-81 | Duct, Intake |
| 2 | 2 | 112-48 | Screw, T/S HH#14x2.25 Zinc |
| 3 | 2 | 112-19 | Screw, IHWH T/C Slot 1/4-20x0.5 |
| 7 | 7 | 120-05 | Washer, .195x.50x.040 Zinc |
| 8 | 1 | 707-31 | Screen, Exhaust |
| 9 | 7 | 120-09 | Rivet 3/16 x 1 |
| 10 | 7 | 125-59 | Washer, Fibre -.062x.25x.50 |
| 11a | 4 | 108-08 | Washer, 1/4 SAE Zinc |
| 11b | 2 | 108-08 | Washer, 1/4 SAE Zinc |
| 12 | 2 | 120-29 | Spacer, .26 ID x 1.12 LG |
| 13 | 2 | 125-58 | Washer, Fibre - W-77F |
| 14 | 1 | 707-28 | Support, Exhaust Duct |
| 15 | 2 | 120-04 | Washer, .195x.50x.08 Zinc |
| 17 | 2 | 120-13 | Rivet - 3/16x5/8 |
| 18 | 1 | 707-32 | Duct, Exhaust - Response |
| 19 | 1 | 707-26 | Cover, Engine Duct |
| 20 | 1 | 707-25 | Duct, Engine |
| 21 | 3 | 112-19 | Screw, IHWH T/C Slot 1/4-20x1/2 |
| 23 | 1 | 603-82 | Seal |
| 25 | 2 | 126-57 | Spring, Exhaust |
| 26 | 1 | 707-15 | Muffler |
| 27 | 4 | 112-30 | SHCS, M8x1.25x20.0 Zinc |
| 28 | 2 | 805024 | Gasket |
| 30 | 1 | 707-05 | Manifold, Exhaust |
| 31 | 4 | 108-02 | Lockwasher, Hi-Collar 5/16, PL |

3.0 Clutch System

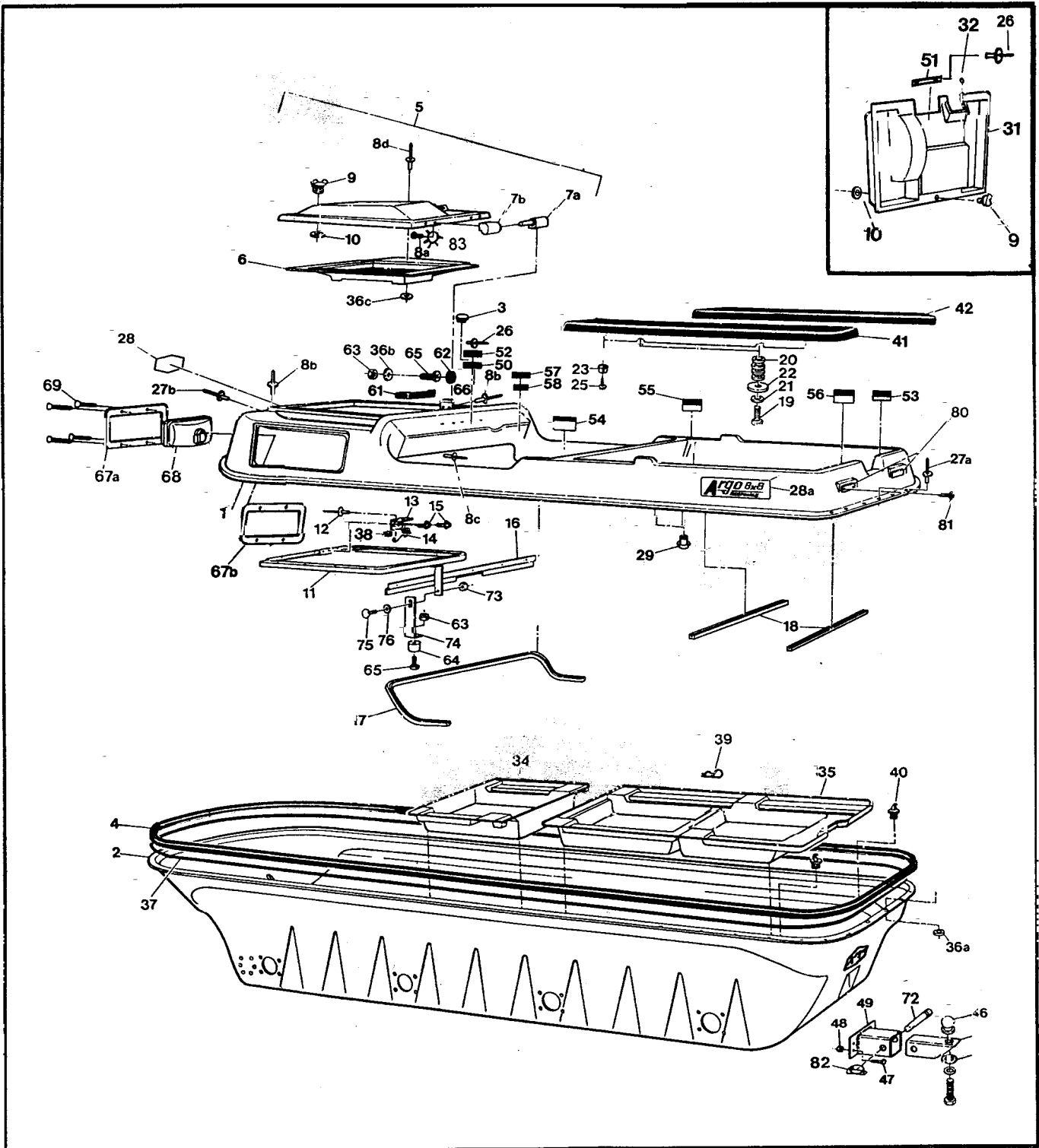
| Ref | Qty | Part No. | Description |
|-----|--------|-----------------|--|
| 1 | 1 | 127-73 | Clutch, Driver, keyed incl. Refs 2-15, 0040-0030 |
| 2 | 1 | 0405-0021 | Pulley, Fixed half |
| 3 | 1 | V08 | Ring, Retaining D1400-350 |
| 4 | 1 | 0410-0007 | Pulley, Sliding half |
| 5 | 1 | V09 | Washer, Spring Guide |
| 6 | 1 | V10-48-108-18 | Spring |
| 7 | 3 | 420-2453-700 | Washer, Lock |
| 8 | 3 | 222-9640-66 | SHCS |
| 9 | 1 | 0080-0153 | Washer |
| 10 | 1 | 0080-0100 | Nut |
| 11 | 1 | 0115-0003(A) | Cap |
| 12 | 1 | 0440-0001 | Cover, Spring |
| 13 | 3 | C24-L1 | Spring, Anti-Noise |
| 14 | 3 | C13-225 | Slug, Lead 225 g |
| 15 | 3 | 0130-3002 | Block, Red |
| 27 | 1 | 126-24 | Clutch, Driven - Model "B" incl. Refs 28-38 SODB0001 |
| 28 | 1 | ASK-5 | Key 1/4 x 1/4 x 5/8 |
| 29 | 1 | ASR-6 | Retaining Ring N1400-150A |
| 30 | as req | ASA-1 | Spacer .050" Thick |
| 30a | as req | ASA-1-S | Spacer .025" Thick |
| 31 | 1 | AFK25.4-250OD01 | Pulley, Half - Fixed |
| 32 | 1 | AMC-2-250OD01 | Pulley, Half - Sliding incl. Refs. 33, 34 and 35 |
| 33 | 3 | ANS-2-T | Shoe, Cam |
| 34 | 1 | AMB-2 | Bushing, Bronze |
| 35 | 1 | 111-01 | Pin, Spring 5/32 x 1.00 |
| 36 | 1 | ACS-3-188 | Spring, Blue |
| 37 | 1 | AFC-4-C3D4 | Cam |
| 38 | 1 | 371-9031-000 | Retaining Ring |



| Ref | Qty | Part No. | Description |
|----------|--------|----------|---|
| 1 | 1 | 127-53 | Engine - Vanguard 18HP incl Refs 2-14, 17 B&S #3504471282E1 |
| 2 | 1 | 125-64 | Fuel Filter G81-4 |
| 3 | 2 | 126-74 | Spark Plug #3926 |
| 4 | 1 | 394018 | Filter, Air |
| 5 | 1 | 272490 | Element, Foam |
| 6 | 1 | 110-03 | Key 1/4x3/16x2.375 RC46 |
| 7 | 1 | 805458 | Spring |
| 8 | 1 | 125-88 | Spring, Return |
| 8a | 1 | 127-49 | Spring, Return |
| 9 | 1 | 112-28 | HHCS 3/8-24x4.5 GR5 Zinc |
| 10 | 1 | 805169 | Screw-Hex Head (Briggs #) |
| 10a | 1 | 805169 | Screw-Hex Head (Briggs #) |
| 13 | 1 | 805170 | Clamp - Casing (Briggs #) |
| 13a | 1 | 805170 | Clamp - Casing (Briggs #) |
| 14 | 1 | 601-86 | Clip, Retainer |
| 17 | 1 | 126-95 | Filter, Oil |
| 18 | | | See Section 3.0 Clutch |
| 19 | 2 | 811-14 | Spacer |
| 21 | 1 | 112-57 | HHCS 5/8-11x10.0 GR5 Zinc |
| 22 | 3 | 117-09 | Locknut, Nylon 5/8 Zinc |
| 23 | 3 | 811-09 | Washer, Square Lock .64 ID |
| 24 | 2 | 811-15 | Washer, Square Lock .64 ID |
| 25 | 2 | 112-58 | HHCS 5/8-11x7.5 GR5 Zinc |
| 26 | 8 | 108-24 | Washer 5/16 SAE Zinc |
| 27 | 4 | 112-27 | HHCS 5/16-18x1.75 Gr5 Zinc |
| 28 | 4 | 117-21 | Locknut, Nylon 5/16-18 Zinc |
| 30 | 2 | 127-35 | Grip, Molded Rubber |
| 31 | 1 | 100-57 | Throttle Twist Grip |
| 32 | | | See Section 1.0 Transmission |
| 33 | as req | 108-36 | Washer .06x1.00x1.375 Zinc |
| 38 | 2 | 117-06 | Nut, Fin Hex 1/2-13 Zinc |
| 39 | 2 | 103-53 | HHCS 3/8-16x3.0 Full Thread |
| 39a | 2 | 108-07 | Lockwasher 1/2 Zinc |
| 40 | 2 | 103-20 | HHCS 1/2-13x6.5 GR5 Zinc |
| 43 | 1 | 611-71 | Frame, Power Pack |
| 44 | 4 | 110-14 | Key 1/4 x 1/4 x 1.25 |
| 45 | 2 | 810-01 | Brake Disc - #50-2 x 13T |
| 46 | 2 | 103-69 | SHCS 1/4-20 x 1.5 Zinc |
| 47 | 2 | 113-02 | O-Ring #106-8309 |
| 48 | 1 | 810-21 | Lever Asm, Brake - RH |
| 49 | 1 | 810-20 | Lever Asm, Brake - LH |
| 53 to 57 | | | See Section 5.0 Brake System |
| 58 | 2 | 117-27 | Locknut, Nylon 1/4-20 Zinc |
| 59 | 2 | 103-66 | HHCS 1/4-20x4.0 GR5 Zinc |
| 60 | | | See Section 3.0 Clutch System |
| 61 | 1 | 612-76 | Cable Asm, Throttle |
| 62 | 1 | 612-92 | Cable Asm, Choke incl 63 |
| 63 | 2 | | Jam Nut, 5/16-24, Part of 62 |
| 64 | 2 | 108-24 | Washer 5/16 SAE Zinc |
| 65 | 1 | 126-75 | Knob, Choke - Black |
| 66 | 2 | 103-18 | HHCS 3/8-24x1.25 GR5 Zinc |
| 67 | 2 | 108-06 | Lockwasher 3/8 S/R Zinc |
| 67a | 1 | 108-06 | Lockwasher 3/8 S/R Zinc |
| 67b | 1 | 108-06 | Lockwasher 3/8 S/R Zinc |
| 68 | 3 | 108-18 | Washer 13/32x1.375x11GA |
| 69 | 1 | 125-56 | Drive Belt |
| 70 | 1 | 103-34 | HHCS 3/8-16x1.25 GR5 Zinc |
| 71 | 1 | 110-09 | Key 1/4 x 1/4 x 3.0 |
| 77 | 2 | 103-17 | HHCS 3/8-16x1.0 GR5 Zinc |
| 78 | 2 | 108-26 | Washer 3/8 Zinc |
| 79 | 1 | 603-29 | Guard, Belt Protect |
| 80 | 1 | 601-92 | Trim, Vinyl - 1.5" |
| 81 | 1 | 601-93 | Trim, Vinyl - 4.25" |
| 86 | 4 | 106-07 | Retaining Ring N1400-75 |
| 87 | 2 | 127-33 | Spring, Extension |
| 88 | 3 | 103-55 | HHCS 5/16-18x2.75 Gr5 Zinc |
| 89 | 3 | 108-05 | Lockwasher 5/16 Zinc |
| 92 | 1 | 850-61 | Bracket Asm, Steering |
| 93 | 1 | 812-27 | Lever Asm, Steering - LH |
| 94 | 1 | 812-26 | Lever Asm, Steering - RH |
| 101 | 4 | 103-41 | SHCS 3/8-16 x 1.25 Zinc |
| 102 | 4 | 108-23 | Washer 3/8 SAE Gr8 - Dich. |
| 103 | 2 | 126-89 | Cap, Vinyl - Black |



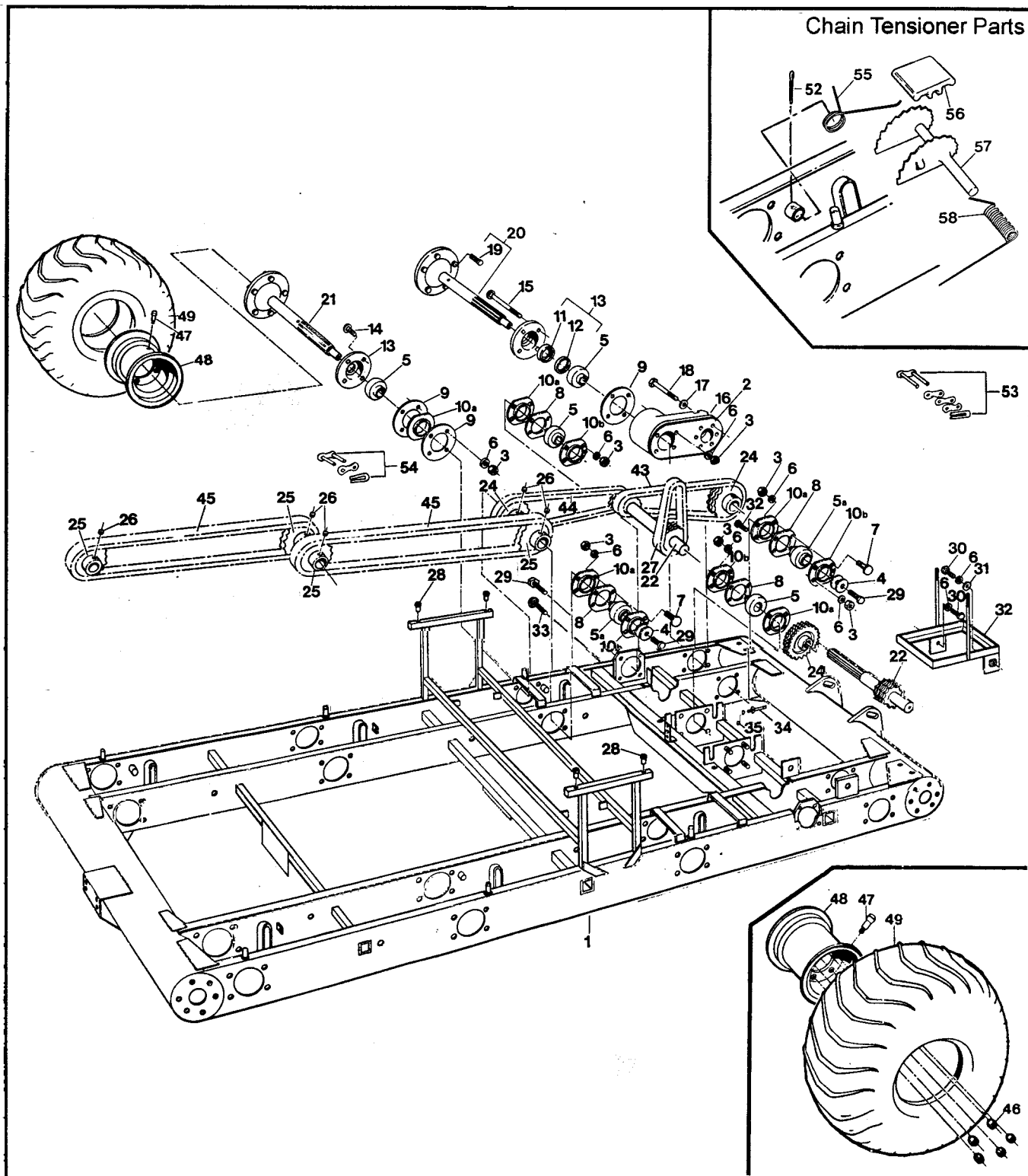
| Ref | Qty | Part No. | Description |
|-----|-----|----------|--|
| 1 | 1 | 166-01RM | Caliper, Brake-L w/o pads (incl. Refs 5,6,7,9-12) |
| 2 | 1 | 166-02RM | Caliper, Brake-R w/o pads (incl. Refs 5,6,7,9-12) |
| 3 | 2 | 161-01 | O-Ring Kit, Caliper (incl. Refs 5 & 6) |
| 4 | 2 | 160-40 | SHCS M8 x 1,25 x 40 Zinc |
| 5 | 1 | | Seal, Rubber-5mm (see Ref 3) |
| 6 | 2 | | Seal, Piston-41mm (see Ref 3) |
| 7 | 2x2 | 168-05 | Piston 41mm |
| 8 | 1 | 170-02 | Brake Pad Set (4)- Non-asbestos |
| 9 | 1x2 | 168-20 | Plug, Rubber |
| 10 | 1x2 | 168-03 | Screw, Bleeding M10 x 1,0 . |
| 11 | 1x2 | 109-03 | Ball, Steel - 7/32 Dia. |
| 12 | 2x2 | 160-41 | SHCS M10x1,5x50mm Zinc |
| 13 | 2x2 | 168-06 | Pin, Cotter 3,2 x 50mm |
| 14 | 4 | 160-44 | Bolt, Banjo-M10x1,0x21,0 Zinc |
| 15 | 8 | 160-01 | Washer, Copper - 1,5x10,0x14,0 |
| 16 | 1x2 | 163-01 | Hose Asm, Hydraulic-310mm |
| 17 | 1 | 165-06 | Master Cylinder -left (incl. Refs 19 to 21, 24 to 28, 63 & 64) |
| 18 | 1 | 165-05 | Master Cylinder - right (incl. Refs 19 to 21, 24 to 28, 63 & 64) |
| 19 | 2x2 | 160-42 | FHMS M5 x 0,8 x 6mm |
| 20 | 1x2 | 168-08 | Cover |
| 21 | 1x2 | 168-09 | Cover, Rubber |
| 22 | | | See Section 4.0 Power Pack Assembly |
| 24 | 1x2 | 162-02 | Spring, comp. 0.59 x 1.5 |
| 25 | 1x2 | | Seal, Primary, 19mm (See Ref. 30) |
| 26 | 1x2 | 168-10 | Piston 19mm Dia. |
| 27 | 1x2 | | Seal, Secondary, 19mm (See Ref. 30) |
| 28 | 1x2 | | Boot, Rubber (See Ref. 30) |
| 30 | 1x2 | 161-25 | O-Ring Kit-Master Cylinder (incl. Refs 25, 27 & 28) |
| 31 | 2 | 812-13 | Pin Asm, Plunger-Adjustable |
| 32 | 2 | 812-17 | Collar |
| 33 | 2 | 112-02 | SHSS 10-24x1/4 Knurl Cup Pt,PL |
| 34 | | 126-19 | Fluid, Brake-Silicon Dot 5 - .35L |
| 39 | 1 | 125-92 | Adpt. & Mounting Kit - Fan (incl. Refs 43 to 50) |
| 40 | 1 | 125-91 | Blower Fan |
| 41 | 4 | 120-13 | Rivet 3/16x5/8 - Black |
| 43 | 1 | | Mounting Bracket |
| 44 | 1 | | Nut, #10-32 |
| 45 | 1 | See | Lockwasher, 3/16" |
| 46 | 1 | 125-92 | Screw, #10-32 x 2" |
| 47 | 2 | Above | Nut, 1/4-20 |
| 48 | 2 | | Lockwasher, 1/4" |
| 49 | 2 | | Screw, 1/4-20 x 5/8" |
| 50 | 1 | | Adaptor, 3" Dia. |
| 52 | 3 | 125-35 | Clamp, Gear 3.50" HF-52 |
| 53 | 1 | 127-44 | Hose, Intake 3" dia. x 46" |
| 54 | 1 | 601-89 | Intake Flange (specify colour) |
| 55 | 1 | 126-61 | Intake Screen |
| 56 | 4 | 112-56 | Pan HD Phil T/S #10x3/4 A Zinc |
| 57 | 1 | 127-39 | Brake Cool Air Duct |
| 58 | 4 | 108-03 | Lockwasher 1/4 Split ring |
| 59 | 4 | 112-19 | Screw, IHWH T/C Slot 1/4-20x1/2 |
| 60 | 1 | 668-11 | Mounting Bracket - Duct |
| 61 | 1 | 118-02 | Terminal, Male #76-1251 |
| 62 | 1 | 118-03 | Terminal, Female#76-1289 |
| 63 | 1x2 | 160-03 | O-Ring, Oil Window |
| 64 | 1x2 | 168-14 | Oil Window, Master Cylinder |



Response Parts Manual

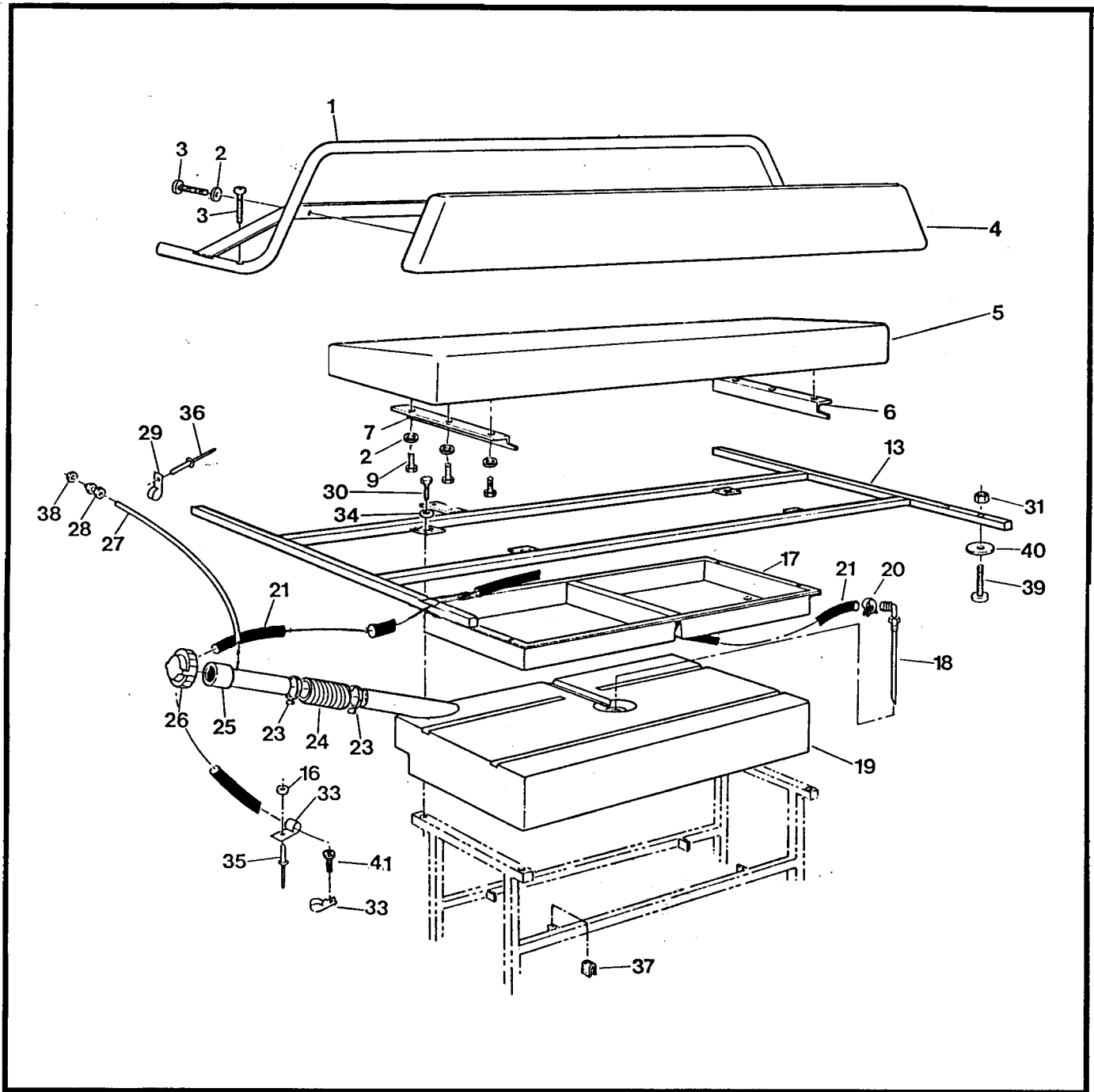
6.0 Vehicle Body & Firewall

| Ref | Qty | Part No. | Description | Ref | Qty | Part No. | Description |
|-----|-----|----------|---|-----|-----|----------|-----------------------------------|
| 1 | 1 | 801-44 | Body & Hood, Upper - Response Replacement, specify colour (incl. Ref 5b, 11 to 15 & 38) | 37 | 1 | 120-60 | Vinyl Strip 1/2x1/4x37.5 |
| 2 | 1 | 801-45BL | Body, Lower - Response, Black | 38 | 2 | 120-05 | Washer |
| 3 | 1 | 127-28 | Plug, Nylon - Black | 39 | 6 | 100-16 | Clip, Hitch Pin 1.625 Zinc |
| 4 | 1 | 801-05 | Bumper, Vinyl - 8x8 | 40 | 2 | 100-18 | Plug, Drain 5/8x13/32 |
| 5 | 1 | 602-37 | Hood Kit - Response, (specify colour) (incl. Ref 6 to 10 and 36c) | 41 | 1 | 801-03 | Seat, Rear LH - 8x8 |
| 6 | 1 | 801-47 | Duct, Intake Transition (specify colour) | 42 | 1 | 801-02 | Seat, Rear RH - 8x8 |
| 7a | 2 | 127-45A | Pin, Hinge | 46 | 1 | 100-61 | Coupler Ball c/w Bolt & Washer |
| 7b | 2 | 127-45B | Knuckle, Hinge | 47 | 4 | 103-61 | HHCS 3/8-24x1.5 GR5 Zinc |
| 8a | 8 | 103-47 | HHCS 10-24x1/2 Zinc | 48 | 4 | 117-24 | Locknut, Nylon 3/8-24 Zinc |
| 8b | 7 | 120-13 | Rivet 3/16 x 5/8 | 49 | 1 | 616-16 | Hitch Assembly |
| 8c | 5 | 120-13 | Rivet 3/16 x 5/8 | 50 | 1 | 126-72 | Plate, Holding Brake |
| 8d | 10 | 120-09 | Rivet 3/16x1 | 51 | 1 | 126-65 | Shifting Plate |
| 9 | 2 | 126-10 | Wing Stud | 52 | 1 | 127-26 | Steering Lever & Winch Plate |
| 10 | 2 | 126-09 | Grommet, Alum. #GH-7 | 53 | 1 | 126-67 | Floor Pan Plate |
| 11 | 1 | 602-24 | Hood Frame Assembly | 54 | 1 | 126-68 | Operation Plate |
| 12 | 2 | 120-15 | Rivet 1/8 x 7/16 | 55 | 1 | 126-69 | Fuel Plate |
| 13 | 1 | 601-69 | Spring Plate | 56 | 1 | 127-76 | Plate, Capacity - Land/Water |
| 14 | 1 | 126-11 | Spring | 57 | 1 | 126-64 | Vehicle ID Plate |
| 15 | 2 | 112-19 | Screw, IHWH T/C Slot 1/4-20x1/2 | 58 | 1 | | U.S. Plate, Non U.S. Argos only |
| 16 | 1 | 602-29 | Brace, Dash | | | | |
| 17 | 1 | 601-08 | Vinyl Trim, 84" | 61 | 1 | 125-41 | Dash Handle, incl. 62 |
| 18 | 2 | 601-09 | Vinyl Trim, 28" | 62 | 2 | | Plug cap, avail. only with 61 |
| 19 | 4 | 112-04 | HHCS 1/4-20x3/4" Gr2 Zinc | 63 | 3 | 117-10 | Locknut, Nylon #10-24 Zinc |
| 20 | 16 | 108-25 | Washer 1/4 Zinc | 64 | 1 | 126-88 | Bumper, Rubber |
| 21 | 4 | 108-03 | Lockwasher, 1/4 Split Ring | 65 | 3 | 103-25 | PHMS #10-24x3/4 Zinc |
| 22 | 4 | 801-41 | Washer, Seat | 66 | 1 | 602-38 | Clip, Hood |
| 23 | 4 | 126-79 | Bumper, Plastic - Black | 67a | 2 | 613-75 | Bezel, Headlamp |
| 25 | 4 | 103-48 | T/S Pan HD Phil #10 5/8 A Zc | 67b | 2 | 613-76 | Bracket, Headlight Backing |
| 26 | 38 | 120-24 | Rivet, Alum - 3/32x3/8-all plates | 68 | | | See Section 9.0 Electrical |
| 27a | 60 | 120-09 | Rivet 3/16 x 1 | 69 | 8 | 103-24BL | OHPS T/S #6 x 1.0 Black Zinc |
| 27b | 25 | 120-09 | Rivet 3/16 x 1 | 70 | 1 | 108-53 | Washer 3/4x1.5x.125 SAE |
| 28 | 1 | 601-44 | Nameplate, ARGO | 71 | 1 | 616-19 | Tube, Hitch - Insert |
| 28a | 2 | 127-42 | Nameplate, 8x8 Response | 72 | 1 | 104-13 | Pin, Top Link |
| 29 | 4 | 117-44 | T-Nut 1/4-20 PL | 73 | 1 | 117-15 | Nut, Fin. Hex 3/8-16 Zinc |
| 31 | 1 | 609-33 | Firewall Asm (incl. 9, 10, 26, 32, 51) | 74 | 1 | 602-27 | Support, Adjustable |
| 32 | 1 | 125-84 | Grommet, Rubber | 75 | 1 | 103-89 | C/Bolt 3/8-16x3/4 GR2 Zinc |
| 34 | 1 | 803-02 | Floor Pan, Front (specify colour) | 76 | 1 | 108-06 | Lockwasher 3/8 Zinc |
| 35 | 1 | 803-03 | Floor Pan, Rear (specify colour) | 80 | 2 | 127-01 | Reflector, Red |
| 36a | 60 | 120-04 | Washer .195IDx.50ODx.08 Zinc | 81 | 4 | 103-48 | T/S Pan HD Phil #10x5/8 A Zinc |
| 36b | 2 | 120-05 | Washer .195IDx.50ODx.04 Zinc | 82 | 1 | 104-11 | Pin, Lynch |
| 36c | 5 | 120-04 | Washer .195IDx.50ODx.08 Zinc | 83 | 8 | 108-59 | Lockwasher #10 Int. Tooth Zinc |



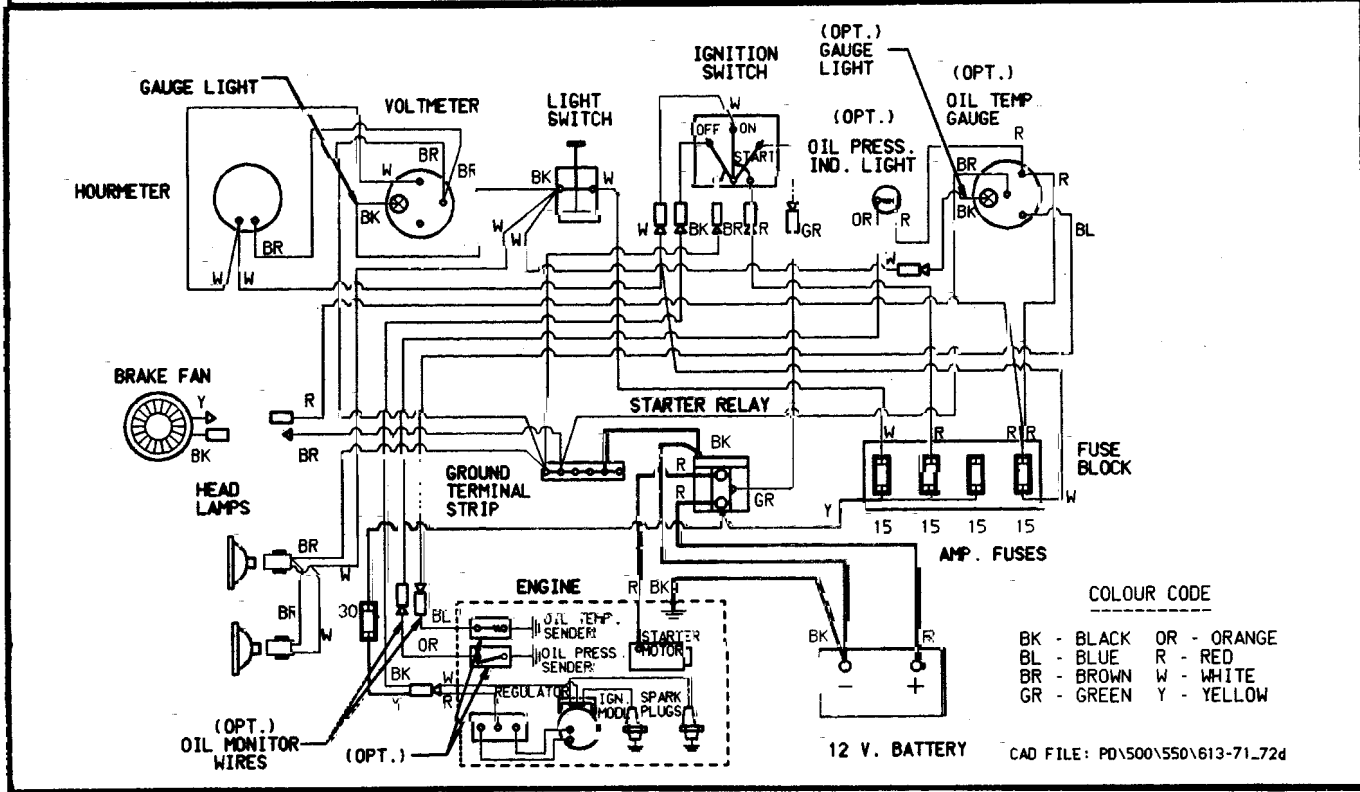
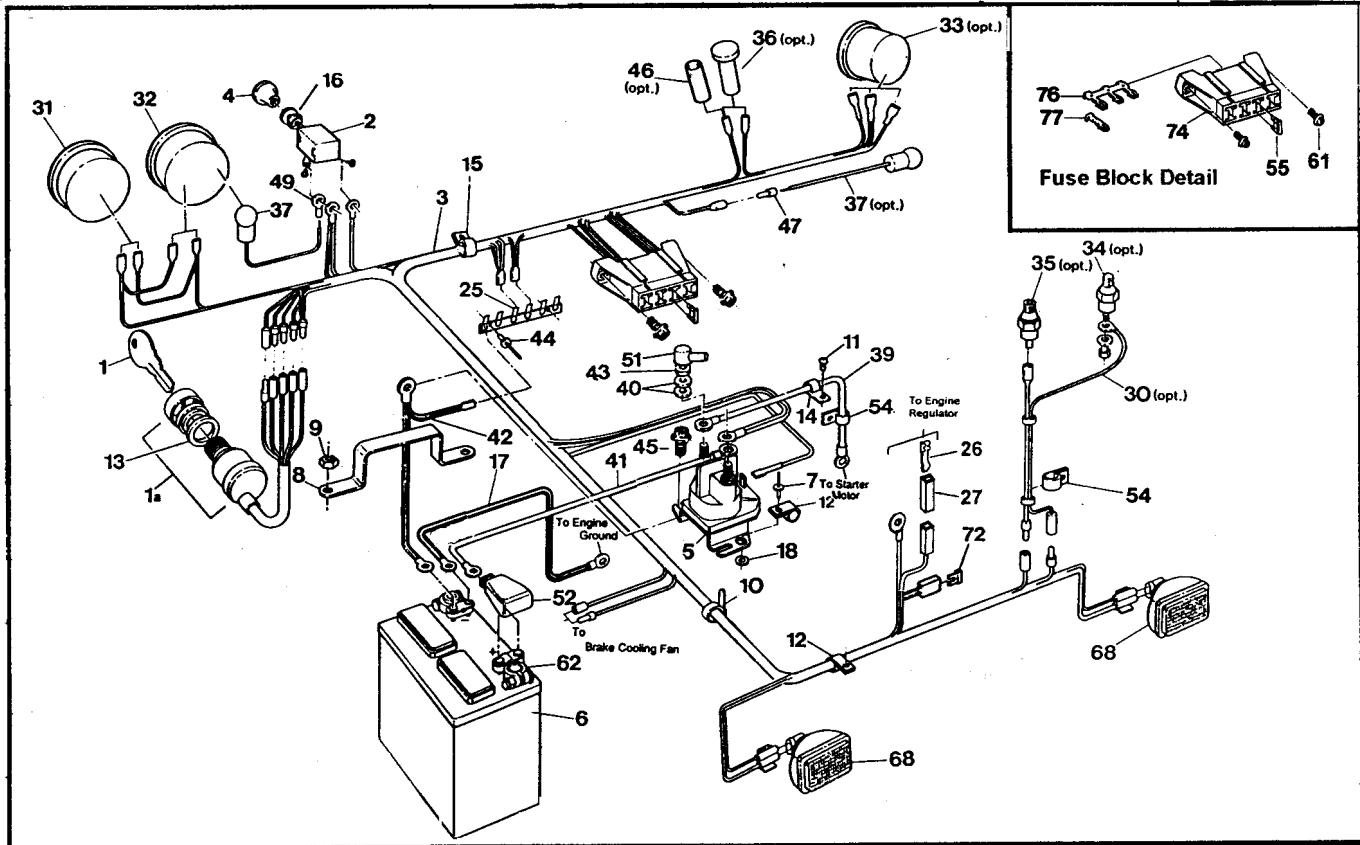
| Ref | Qty | Part No. | Description |
|-----|-----|----------|---|
| 1 | 1 | 806-00 | Frame Asm - 8x8 |
| 2 | 2 | 605-69 | Gasket - Bearing Extension |
| 3 | 80 | 117-15 | Nut, Fin Hex 3/8-16 Zinc |
| 4 | 16 | 108-46 | Washer .40x1.37x.12 Hi-Carbon |
| 5 | 12 | 101-35 | Bearing, Ball - 1.25 |
| 5a | 8 | 101-41 | Bearing, Ball - 1.0 |
| 6 | 82 | 108-06 | Lockwasher 3/8 |
| 7 | 30 | 103-88 | C/Bolt 3/8-16x1.0 Gr5 Zc |
| 8 | 12 | 605-99 | Gasket, Flange - Inner |
| 9 | 14 | 605-89 | Gasket, Flange - Outer |
| 10a | 18 | 605-63 | Flange - 4 hole |
| 10b | 12 | 101-20 | Flange, Greasable - 4 hole |
| 11 | 8 | 102-14 | Seal, Oil 1.25x1.75x0.188 |
| 12 | 8 | 102-15 | Seal, Oil 1.25x1.874x0.25 |
| 13 | 8 | 605-97 | Flange Asm, Outer (incl. Refs. 11 & 12) |
| 14 | 24 | 112-39 | C/Bolt 3/8-16x1.75 Gr5 Zc |
| 15 | 8 | 103-67 | C/Bolt 3/8-16 x 6 Gr2 Zc |
| 16 | 2 | 810-36 | Bearing Extension (uses Refs. 17 & 18) |
| 17 | 12 | 108-34 | Washer 7/16 SAE Zinc |
| 18 | 12 | 103-81 | HHCS 7/16-20x2.5 Gr5 Zc |
| 19 | 5x8 | 103-80 | Stud, Wheel 7/16-20x1.125 #B271 |
| 20 | 2 | 810-73 | Axle Asm - Front/Rear (incl. Ref. 19) |
| 21 | 6 | 810-75 | Axle Asm - Mid (incl. Ref. 19) |
| 22 | 2 | 810-45 | Shaft, Idler - 11T |
| 23 | 1 | 604-84 | Frame Asm, Battery |
| 24 | 6 | 810-28 | Sprocket, Double - 24T |
| 25 | 8 | 606-34 | Sprocket, S60x19T |
| 26 | 10 | 112-03 | SHSS 5/16-18x3/8 1/2 DOG, PL |
| 27 | 2 | 803-17 | Chain, Idler RC50-2x40P (incl. Ref. 53) |
| 28 | 4 | 117-64 | Insert, 1/4-20 |
| 29 | 12 | 112-31 | HHCS 3/8-16x1.0 2B Gr8 Zc |
| 30 | 2 | 112-14 | HHCS 3/8-16x.75 Gr5 Zc |
| 31 | 1 | 108-15 | Washer 3/8 SAE Zc |
| 32 | 2 | 103-82 | HHCS 3/8-16x1.5 Gr5 Zc |
| 33 | 4 | 112-61 | C/Bolt 3/8-16 x 1.25 Gr5 Zc |
| 34 | 2 | 120-15 | Rivet 1/8x7/16 |
| 35 | 1 | 126-11 | Spring |
| 43 | 2 | 603-17 | Chain, RC50-2 x 42P-Front (incl. Ref. 53) |
| 44 | 2 | 603-20 | Chain, RC50-2 x 70P-Mid (incl. Ref. 53) |
| 45 | 4 | 603-93 | Chain, RC60-1 x 84P-Rear (incl. Ref. 54) |
| 46 | 5x8 | 117-35 | Nut, Wheel 7/16-20 Zc |
| 47 | 8 | 125-26 | Valve, Tire |
| 48 | 8 | 125-13C | Rim, Charcoal |
| 49 | 8 | 126-96 | Tire, Goodyear Runamuk 22x10-8 |
| 52 | 6 | 100-01 | Pin, Cotter 1/8x1.50 Zc |
| 53 | 1x6 | 100-96 | Con. Link, RC50-2 H.D. |
| 54 | 1x4 | 603-84 | Con. Link, RC60-1 H.D. |
| 55 | 6 | 125-65 | Spring Torsion - 1.16x0.35 |
| 56 | 6 | 606-39 | Slider Block -1/2" Shaft |
| 57 | 6 | 606-35 | Tensioner Asm, Chain |
| 58 | 6 | 127-64 | Spring, Torsion - .76x1.9 |

8.0 Fuel System and Seat Assembly Response Parts Manual



8.0 Fuel System and Seat Assembly Response Parts Manual

| Ref | Qty | Part No. | Description |
|-----|-----|----------|-------------------------------------|
| 1 | 1 | 803-50 | Handrail Assembly |
| 2 | 4 | 108-03 | Lockwasher, Split Ring 1/4" |
| 3 | 6 | 112-41 | PHMS, PHIL 1/4-20x1.25 Zinc |
| 4 | 1 | 608-39 | Back Pad Assembly |
| 5 | 1 | 608-43 | Seat, Bench |
| 6 | 1 | 608-30 | Angle, Left |
| 7 | 1 | 608-31 | Angle, Right |
| 9 | 6 | 112-04 | HHCS 1/4-20x3/4 Gr2 Zinc |
| 10 | 6 | 108-03 | Lockwasher, Split Ring 1/4" Zinc |
| 13 | 1 | 804-17 | Frame Assembly, Seat |
| 16 | 2 | 120-04 | Washer .195IDx.50ODx.08 Zinc |
| 17 | 1 | 608-32 | Tool Box |
| 18 | 1 | 608-28 | Pickup Assembly, Fuel (see Ref. 19) |
| 19 | 1 | 608-24 | Tank, Fuel 32 litre (incl. Ref. 18) |
| 20 | 2 | 112-79 | Clamp, Hose, 1/2" - Black |
| 21 | 1 | 608-42 | Fuel Hose - 110" |
| 23 | 2 | 100-12 | Clamp, Gear 2.25" HF-36 |
| 24 | 1 | 125-94 | Hose, Filler |
| 25 | 1 | 126-47 | Neck Assembly, Fuel |
| 26 | 1 | 126-46 | Cap, Fuel |
| 27 | 1 | 127-21 | Hose, Vent 86" |
| 28 | 1 | 126-50 | Male Connector, 1/4" |
| 29 | 5 | 126-94 | Clamp, Nylon Wire - 1/4" ID |
| 30 | 4 | 112-04 | HHCS 1/4-20 x 3/4 Gr2 Zinc |
| 31 | 12 | 117-10 | Locknut, Nylon #10-24 Zinc |
| 33 | 4 | 126-93 | Clamp, Nylon Wire - 1/2" ID |
| 34 | 4 | 108-08 | Washer, .28 x .62 x .04 Zinc |
| 35 | 3 | 120-09 | Rivet 3/16x1 |
| 36 | 5 | 120-13 | Rivet, 3/16 x 5/8 |
| 37 | 4 | 702-06 | Foam Cushion |
| 38 | 1 | 117-54 | Locking PAL Nut, 1/2-20 Zinc |
| 39 | 12 | 112-07 | RHMS 10-24 x 1.25 Zinc |
| 40 | 12 | 108-42 | Washer .062x7/32x1.00 Zinc |
| 41 | 1 | 103-48 | T/S PAN HD PHIL #10x5/8 A Zinc |



| Ref | Qty | Part No. | Description |
|-----|-----|-----------|--|
| 1 | 1 | 100-39A-1 | Key |
| 1a | 1 | 126-17 | Switch, Ignition, incl. Ref 1 |
| 2 | 1 | 100-62 | Switch, Light |
| 3 | 1 | 613-72 | Wire Harness, incl. Fuse Holder |
| 4 | 1 | 126-76 | Knob, Light |
| 5 | 1 | 613-68 | Starter Relay |
| 6 | 1 | 127-54 | Battery |
| 7 | 1 | 120-09 | Rivet |
| 8 | 1 | 604-52 | Bracket, Battery Retaining |
| 9 | 2 | 117-21 | Locknut, Nylon 5/16-18 Zinc |
| 10 | 8 | 100-64 | Tie Wrap - 5.5" - Black |
| 11 | 1 | 103-48 | Pan HD PHIL T/S #10x5/8 A Zinc |
| 12 | 11 | 126-93 | Clamp, Nylon Wire - 1/2" ID |
| 13 | 1 | 108-57 | Lockwasher 3/4"ID Tooth Lock |
| 14 | 1 | 126-93 | Clamp, Nylon Wire - 1/2" ID |
| 15 | 1 | 127-24 | Clamp, Nylon - 1" ID |
| 16 | 1 | 108-55 | Lockwasher, Ext. Tooth 7/16 |
| 17 | 1 | 613-18 | Ground Wire |
| 18 | 1 | 120-04 | Washer |
| 25 | 1 | 613-37 | Terminal Strip, Ground |
| 26 | 1 | 118-56 | Contact |
| 27 | 1 | 118-57 | Connector Housing |
| 30 | 1 | 613-38 | Oil Monitor Wires (opt.) |
| 31 | 1 | 632-15 | Hourmeter #56458-10 (#876EM) |
| 32 | 1 | 633-10 | Voltmeter #07583-15 (#830EM) (opt.) |
| 33 | 1 | 634-11 | Oil Temp. Gauge #07556-88 (#828EM) (opt.) |
| 34 | 1 | 634-12 | Oil Temp. Sender #02024-00 (opt.) |
| 35 | 1 | 25.099.24 | Oil Pressure Switch, 6 psi (opt.) (Kohler #) |
| 36 | 1 | 634-08 | Engine Oil Pressure Light (opt.) |
| 37 | 2 | 634-10 | Light Kit, #06215-00 5/8" dia, see Ref. 32 & 33 (opt.) |
| 39 | 1 | 613-49 | Cable, Starter |
| 40 | 5 | 108-03 | Lockwasher 1/4 Zinc |
| 41 | 1 | 613-26 | Cable, Power |
| 42 | 1 | 613-58 | Ground Wire |
| 43 | 2 | 117-20 | Nut, Fin. Hex 1/4-20 Zinc |
| 44 | 2 | 120-15 | Rivet 1/8 x 7/16 |
| 45 | 2 | 112-19 | Screw, IHWH T/C Slot 1/4-20x1/2 |
| 46 | 1 | 118-48 | Heat Shrink, 2 x 1/2 (opt.) |
| 47 | 1 | 118-02 | Terminal, Male-#76-1251-88 |
| 49 | 1 | 118-30 | Terminal, Eye - #10 |
| 51 | 1 | 613-45 | Terminal Insulator, (6 ga.) |
| 52 | 1 | 127-55 | Cap, Battery Terminal - Red |
| 54 | 2 | 126-83 | Clip, Hose 5/16 ID #C-950PC |
| 55 | 4 | 118-49 | Fuse, 15 Amp 2-prong (AT015) |
| 61 | 2 | 112-51 | Screw, IHWH T/C #10-24x5/8 |
| 62 | 2 | 127-56 | Terminal, Battery Post |
| 68 | 2 | 613-69 | Headlamp, Halogen (incl. Ref. 69) |
| 69 | 2 | 127-46 | Bulb, Headlight - Halogen |
| 72 | 1 | 118-51 | Fuse, 30A 2-prong (AT030) |

ARGO Products Manufactured by:

Ontario Drive & Gear Limited

P.O. Box 280 Bergey Court

New Hamburg, Ontario

CANADA N0B 2G0

Phone: (519) 662-2840

Fax: (519) 662-2421

ODG Dedicated to quality and performance.