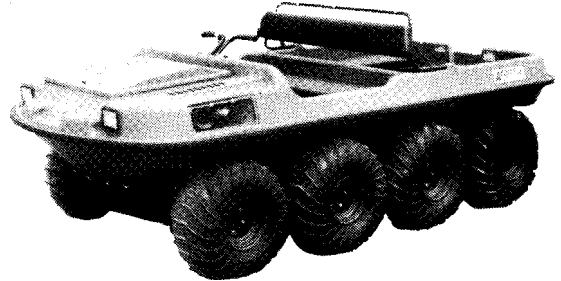


Argo 8x8
RESPONSE



ARGO

RESPONSE

PARTS MANUAL

Model No. V896-65
From Serial #RB14121

Foreword

ODG has prepared this parts manual for the RESPONSE model to assist both qualified mechanics and vehicle owners in ordering correct, quality replacementARGO parts.

Proper and regular service, and replacing old, worn or broken parts with the correct ARGO replacement parts, are both essential to prolonging the life of the ARGO. Please refer to this parts manual before ordering any replacement part.

All information contained in this RESPONSE Parts Manual is based on the latest product specification available at time of printing. If your RESPONSE differs from the specifications contained in this manual, contact Ontario Drive & Gear Limited for information.

ODG reserves the right to alter specifications on the RESPONSE model at any time, without obligation or prior notification.

Reproduction of the RESPONSE Parts Manual No. 896-65-2, in whole or in part, is prohibited without prior written permission from Ontario Drive & Gear Limited.

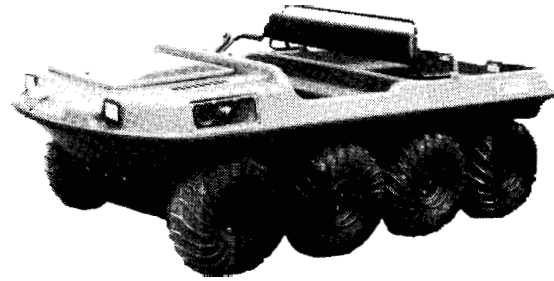
Model Identification

RESPONSE - Model No. V896-65

Explanation of Parts Manual Format

- Reference number between assembly diagram and component parts list
- Part No.** - Argo replacement part number for identification and re-ordering
- Description** - Part description for identification and re-ordering
- Indicates the quantity of a part used in an Assembly

Argo 8x8 RESPONSE

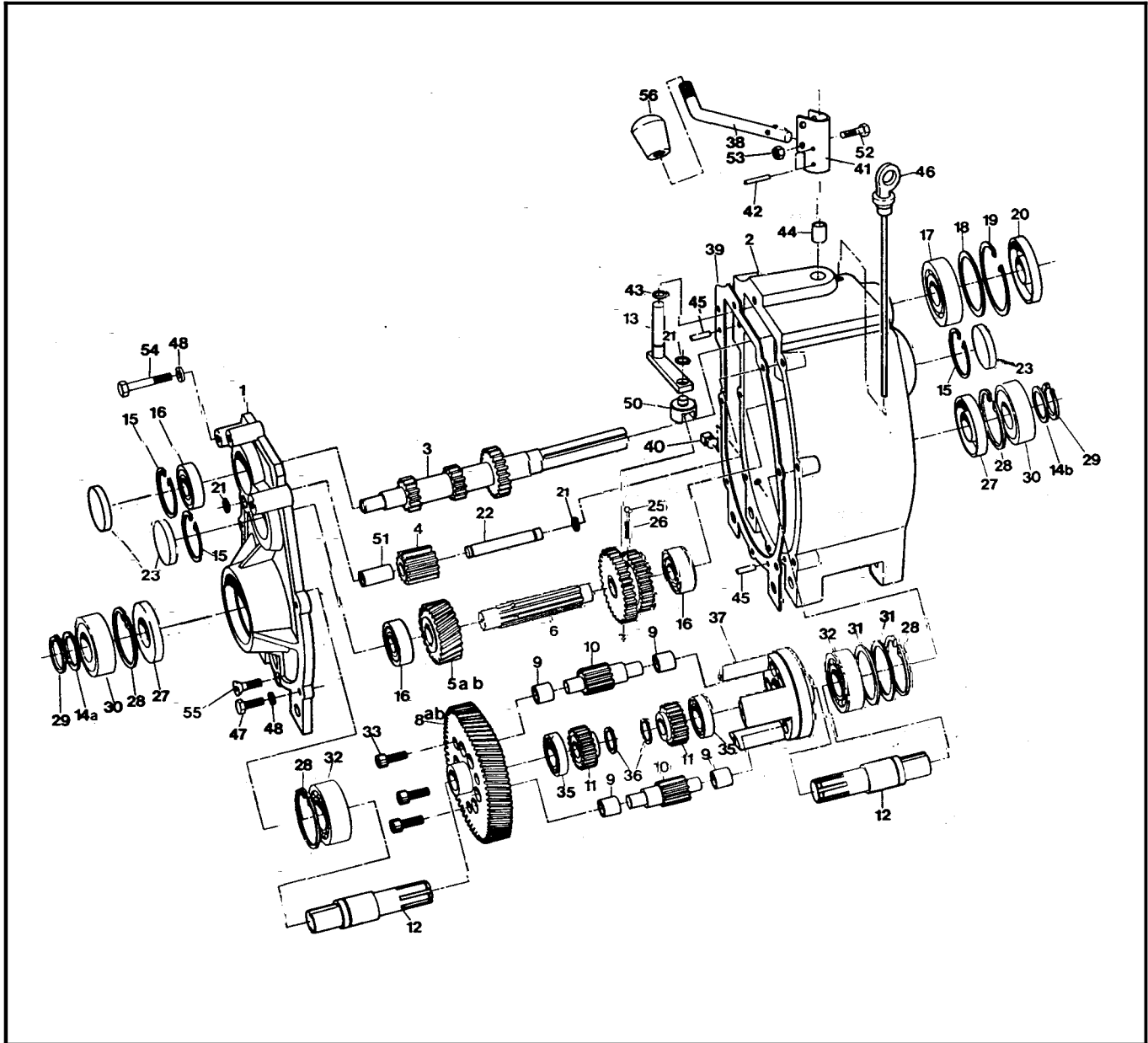


Using the Parts Manual

- 1 Find the major vehicle assembly in the Table of Contents on this page, and turn to that section.
- 2 Locate the part in the illustration that you wish to order.
- 3 Refer to the parts list in that section.
- 4 Find the correct part number (Part No.), part description (Description) and correct quantity (Qty).
5. Use only this information to order ARGO replacement parts. *DONOT* attempt to order a replacement part by reference number or page number.

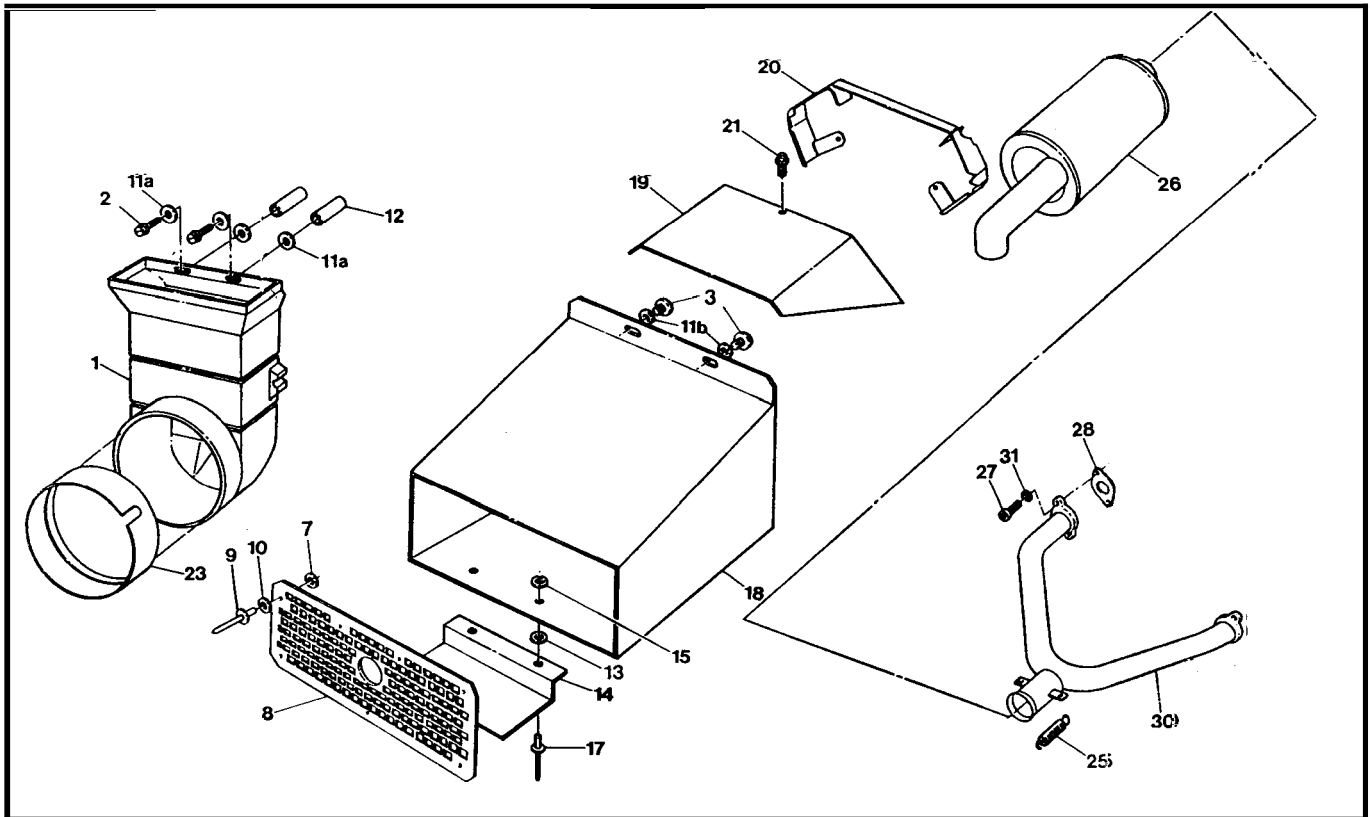
Table of Contents

Foreword	i
Model Identification	i
Using the Parts Manual	ii
1.0 Transmission	1
2.0 Intake and Exhaust System	3
3.0 Clutch System	3
4.0 Power Pack Assembly	5
5.0 Brake System	7
6.0 Vehicle Body & Firewall	9
7.0 Frame & Drive System	11
8.0 Fuel System & Seat Assembly	13
9.0 Electrical System	15

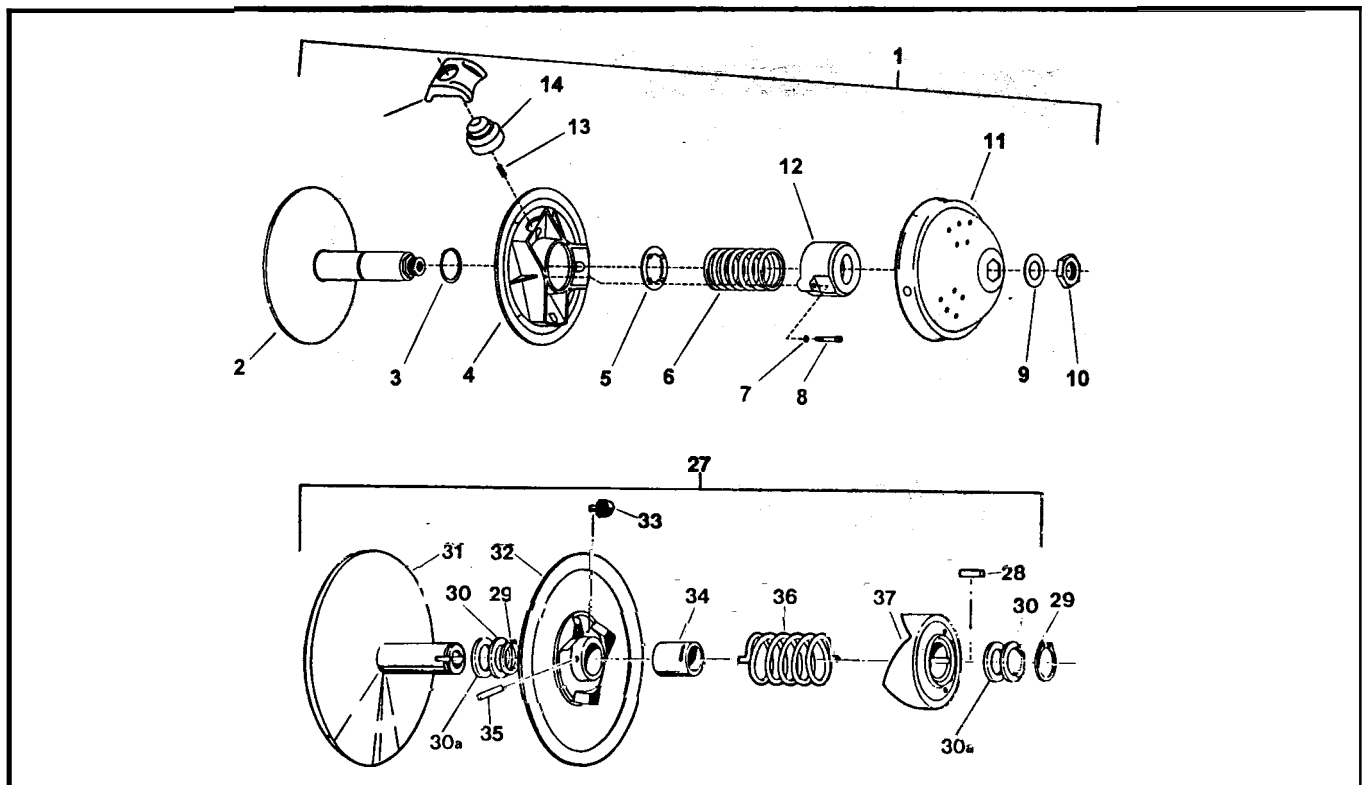


Ref	Qty	Part No.	Description
	1	610-17MU	Transmission Asm - MU, does not include Refs 38, 52, 53 & 56 uses Ref 5a & 8a
		610-17GU	Transmission Asm - GU, does not include Refs 38, 52, 53 & 56 uses Ref 5b & 8b
1		34-68	Cover, Transmission
2	1	34-99	Housing, Transmission
3	1	34-21	Shaft, Input - 13/21T
4	1	34-16A	Gear, Idler 13T (incl. Ref. 51)
5a	1	34-95	Gear, Helical - 24T (MU)
5b		34-97	Gear, Helical - 21T (GU)
6	1	34-94	Shaft, Spline
7		34-91	Gear, Double - 26/33T
8a		34-22	Gear Plate - 73T (M)
8b		34-45	Gear Plate - 76T (G)
9	12	105-03	Bushing, Oilite
10	6	34-13	Gear, Planet - 12T
11	2	34-14	Gear, Sun - 21T
12	2	34-81	Shaft, Output
13	1	34-65	Shifter Asm
14a	1	114-04	Washer, Shim .040 Thk
14b		114-05	Washer, Shim .020 Thk
15	3	106-01	Retaining Ring
16	3	101-01	Bearing, Ball 6204Z-C3
17		101-16	Bearing, Ball 6206-C3
18	as req.	114-02	Washer, Shim
19	1	106-05	Retaining Ring
20	1	102-05	Seal, Oil WBS 30x62x10
21	3	107-05	Retaining Ring N1400-50
22	1	34-11	Pin, Dowel 1/2 x 3.50
23	3	31-07	Plug Plate
25	1	109-05	Ball, Steel 6mm 62-67 Rc
26	1	34-32	Spring, Compression - 7/32 x 0.50
27	2	102-03	Seal, Oil WBS 30x72x10
28	4	106-03	Retaining Ring
29	2	107-02	Retaining Ring
30	2	101-05	Bearing, Ball 6306-2NSE C3
31	2	114-01	Washer, Shim 2.25x2.81x.02
32	2	101-03	Bearing, Ball 6207-C3
33	3	103-04	SHCS 5/16-18 x 1.0 Bare
35	2	101-15	Bearing, Ball 6005-C3
36	2	107-04	Retaining Ring
37	1	34-08	Cage
38		610-77	Lever, Shift
39		34-47	Gasket, Cover - 1/64" Thk
40		103-02	Plug, Magnetic 3/8 - 18 NPT Sq. Hd.
41		34-86	Holder, Shift Lever
42	2	111-01	Pin, Spring 5/32 x 1.00 - Slotted
43	1	113-01	O-Ring 012-7147
44	1	105-02	Bushing, Oilite 1/2x 1.0
45	2	104-03	Pin, Dowel 1/4 x 7/8" long
46	1	34-77	Dipstick - with Breather
47	4	103-06	HHCS 5/16-18x1.0 GR5 Zinc
48	7	108-05	Lockwasher 5/16 Zinc
50	1	34-63	Shift Yoke
51	1	105-05	Bushing, Oilite 1/2 x 1.5 (in Ref 4)
52	1	103-97	HHCS 1/4-20x1.25 GR5 Zinc
53		117-27	Locknut, Nylon 1/4-20 Zinc
54			See Section 4.0 Power Pack Assembly
55		103-95	FHSC 5/16-18x1.0 GR8 Zinc
56		126-38	Knob, Shift

2.0 Intake and Exhaust System Response Parts Manual



3.0 Clutch System

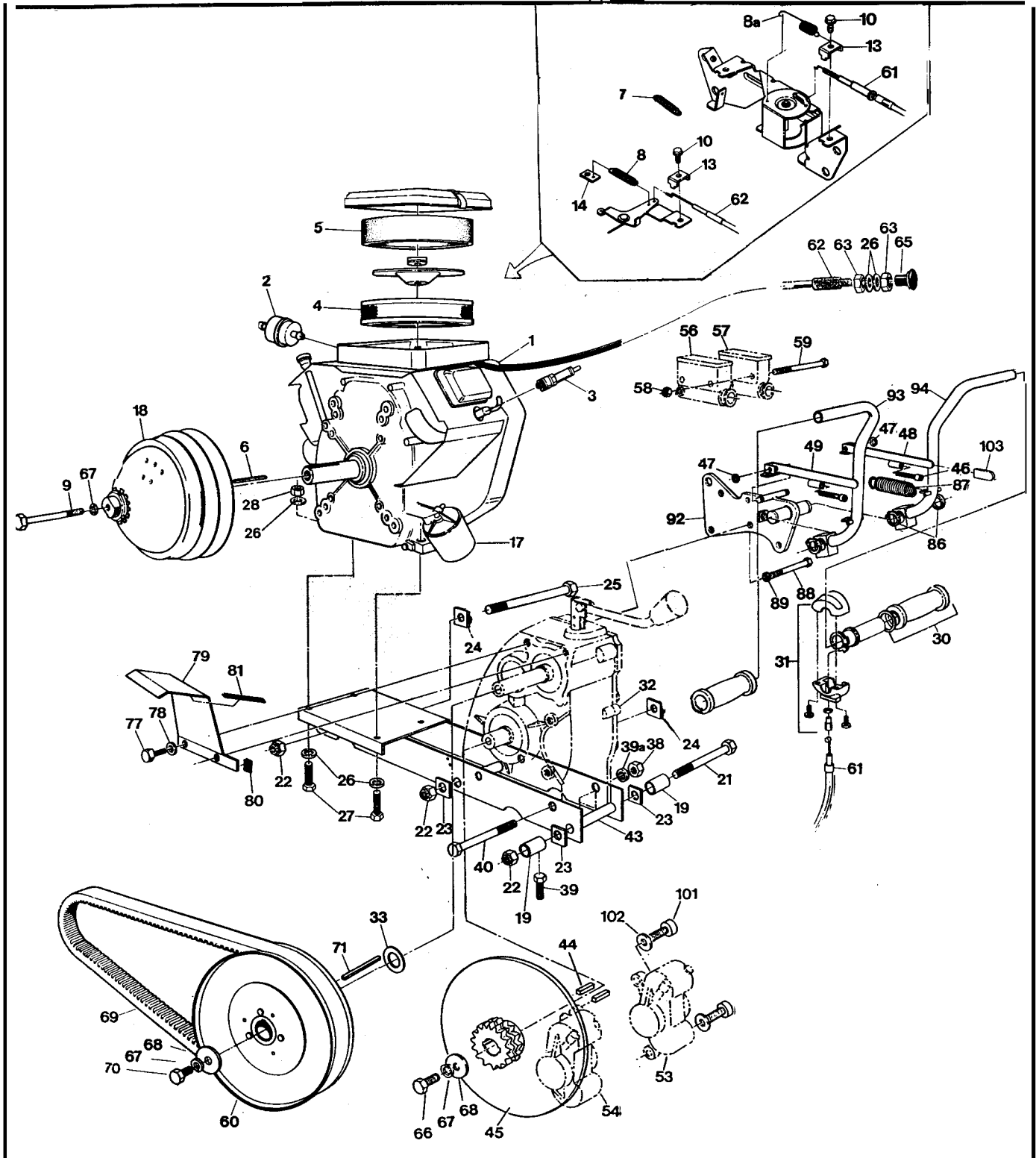


Response Parts Manual 2.0 Intake and Exhaust System

Ref	Qty	Part No.	Description
1	1	603-81	Duct, Intake
2	2	112-48	Screw, T/S HH#14x2.25 Zinc
3	2	112-19	Screw, IHWH T/C Slot 1/4-20x0.5
7	7	120-05	Washer, .195x.50x.040 Zinc
8	1	707-31	Screen, Exhaust
9	7	120-09	Rivet 3/16 x 1
10	7	125-59	Washer, Fibre -.062x.25x.50
11a	4	108-08	Washer, 1/4 SAE Zinc
11b	2	108-08	Washer, 1/4 SAE Zinc
12	2	120-29	Spacer, .26 ID x 1.12 LG
13	2	125-58	Washer, Fibre - W-77F
14	1	707-28	Support, Exhaust Duct
15	2	120-04	Washer, .195x.50x.08 Zinc
17	2	120-13	Rivet - 3/16x5/8
18	1	707-32	Duct, Exhaust - Response
19	1	707-26	Cover, Engine Duct
20	1	707-25	Duct, Engine
21	3	112-19	Screw, IHWH T/C Slot 1/4-20x1/2
23	1	603-82	Seal
25	2	126-57	Spring, Exhaust
26	1	707-15	Muffler
27	4	112-30	SHCS, M8x1.25x20.0 Zinc
28	2	805024	Gasket
30	1	707-05	Manifold, Exhaust
31	4	108-02	Lockwasher, Hi-Collar 5/16. PL

3.0 Clutch System

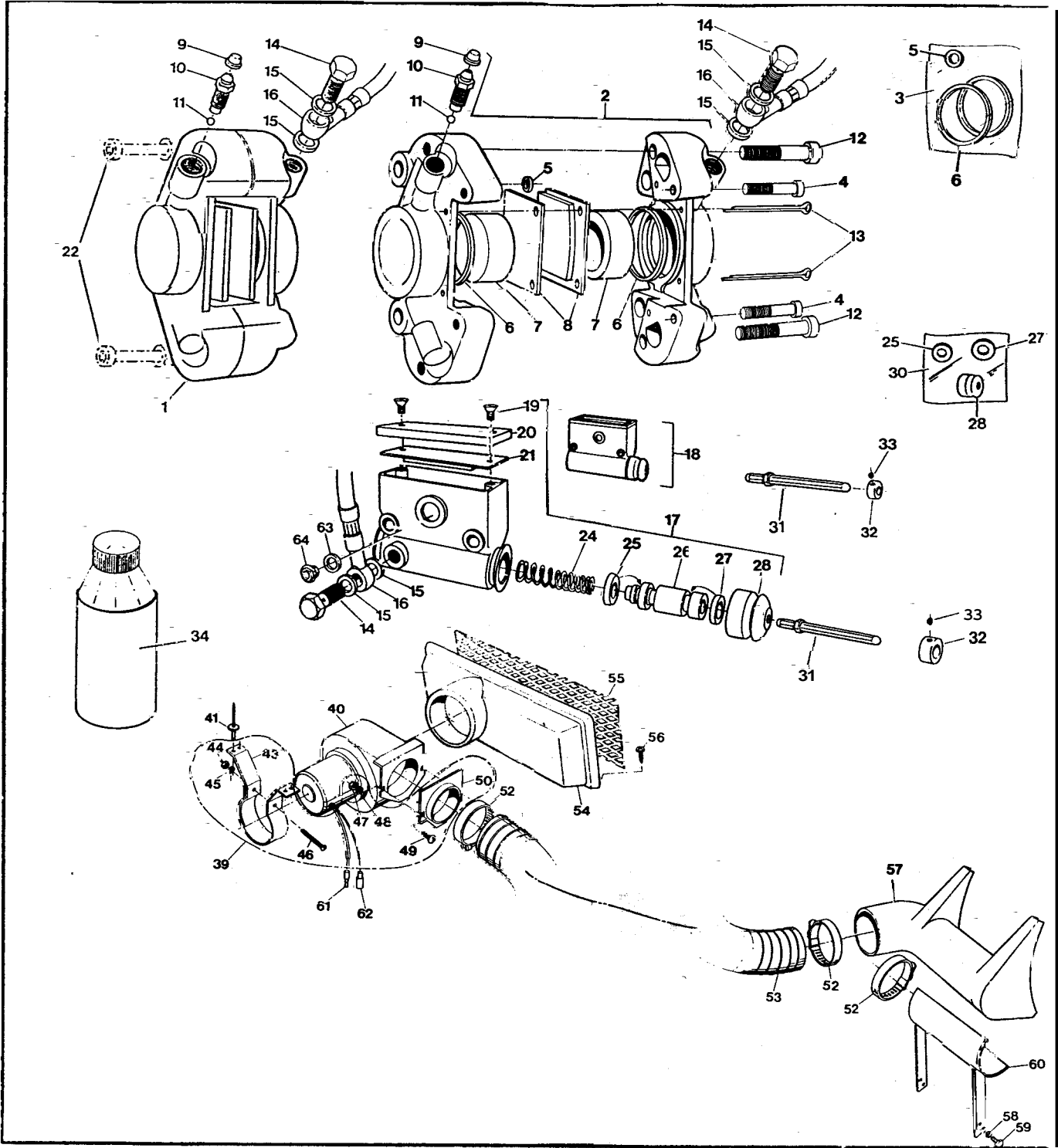
Ref	Qty	Part No.	Description
1	1	127-73	Clutch, Driver, keyed incl. Refs 2-15, 0040-0030
2	1	0405-0021	Pulley, Fixed half
3	1	V08	Ring, Retaining D1400-350
4	1	0410-0007	Pulley, Sliding half
5	1	V09	Washer, Spring Guide
6	1	V10-48-108-18	Spring
7	3	420-2453-700	Washer, Lock
8	3	222-9640-66	SHCS
9	1	0080-0153	Washer
10	1	0080-0100	Nut
11	1	0115-0003(A)	Cap
12	1	0440-0001	Cover, Spring
13	3	C24-L1	Spring, Anti-Noise
14	3	C13-225	Slug, Lead 225 g
15	3	0130-3002	Block, Red
27	1	126-24	Clutch, Driven - Model "B" incl. Refs 28-37 SODB0001
28	1	ASK-5	Key 1/4 x 1/4 x 5/8
29	2	ASR-6	Retaining Ring N1400-150A
30	as req	ASA-1	Spacer .050" Thick
30a	as req	ASA-1-S	Spacer .025" Thick
31	1	AFK25.4-250OD01	Pulley, Half - Fixed
32	1	AMC-2-250OD01	Pulley, Half - Sliding incl. Refs. 33, 34 and 35
33	3	ANS-2-T	Shoe, Cam
34	1	AMB-2	Bushing, Bronze
35	1	111-01	Pin, Spring 5/32 x 1.00
36	1	ACS-3-188	Spring, Blue
37	1	AFC-4-C3D4	Cam



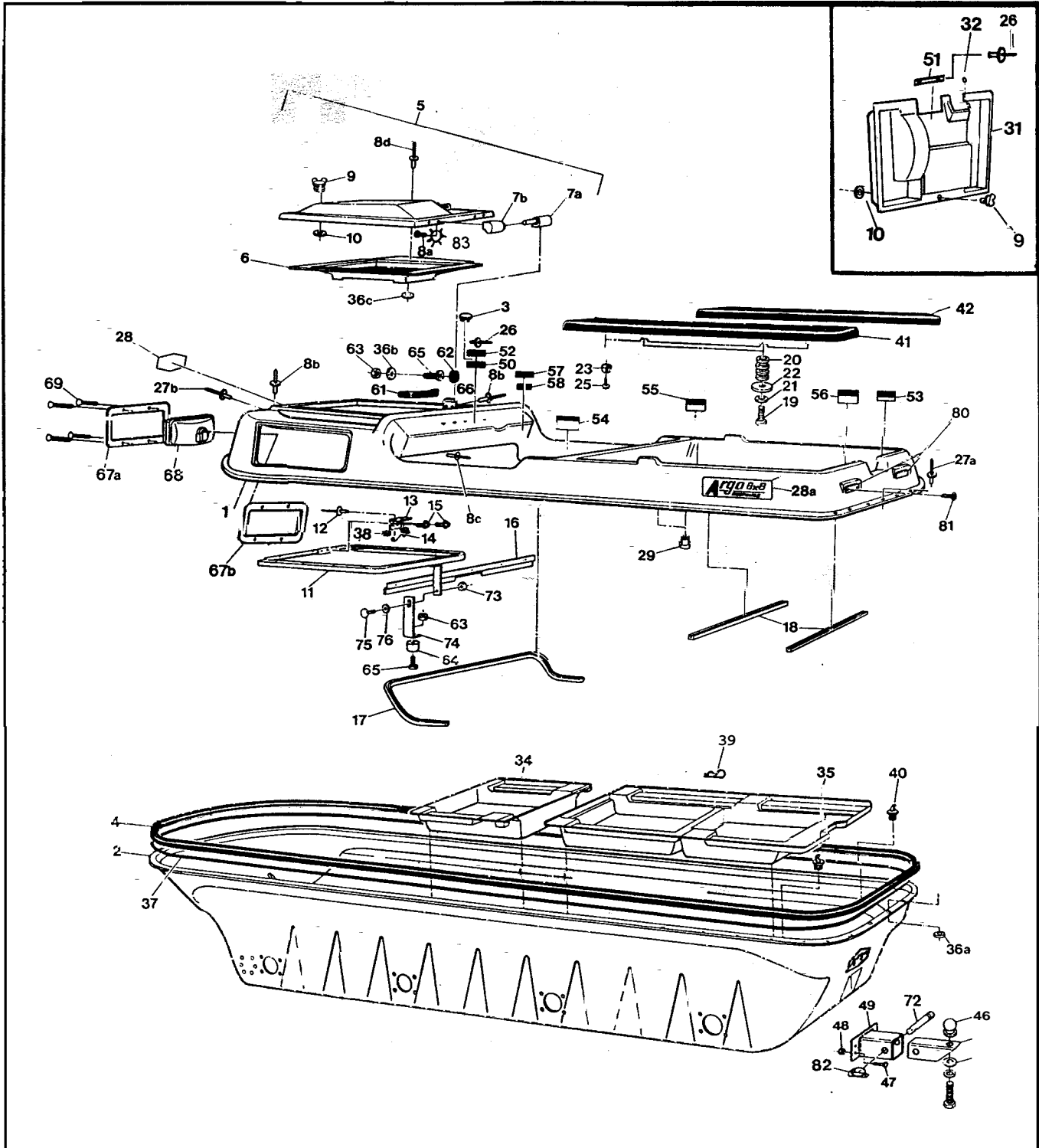
Response Parts Manual

4.0 Power Pack Assembly

Ref	Qty	Part No.	Description
1	1		Engine -Vanguard 18HP incl Refs 2-14, 17 B&S #3504471282E1
2	1		Fuel Filter. G81-4
3	2		Spark Plug #3926
4	1		Filter, Air
5	1		Element, Foam
6	1		Key 1/4x3/16x2.375 RC46
7	1		Spring
8	1		Spring, Return
8a	1		Spring, Return
9	1		HHCS 3/8-24x4.5 GR5 Zinc
10	1		Screw-Hex Head (Briggs#)
10a	1		Screw-Hex Head (Briggs#)
13	1		Clamp - Casing (Briggs#)
13a	1		Clamp - Casing (Briggs#)
14	1		Clip, Retainer
17	1		Filter, Oil
18			See Section 3.0 Clutch
19	2	811-14	Spacer
21	1	112-57	HHCS 5/8-11x10.0 GR5 Zinc
22	3	117-09	Locknut, Nylon 5/8 Zinc
23	3	811-09	Washer, Square Lock .64 ID
24	2	811-15	Washer, Square Lock .64 ID
25	2	12-58	HHCS 5/8-11x7.5 GR5 Zinc
26	8	108-24	Washer 5/16 SAE Zinc
27	4	112-27	HHCS 5/16-18x1.75 Gr5 Zinc
28	4	117-21	Locknut, Nylon 5/16-18 Zinc
30	2	127-35	Grip, Molded Rubber
31	1	100-57	Throttle Twist Grip
32			See Section 1.0 Transmission
33	as req	108-36	Washer .06x1.00x1.375 Zinc
38	2	117-06	Nut, Fin Hex 1/2-13 Zinc
39	2	103-53	HHCS 3/8-16x3.0 Full Thread
39a	2	108-07	Lockwasher 1/2 Zinc
40	2	103-20	HHCS 112-13x6.5 GR5 Zinc
43	1	611-71	Frame, Power Pack
44	4	110-14	Key 1/4 x 1/4 x 1.25
45	2	810-01	Brake Disc - #50-2 x 13T
46	2	103-69	SHCS 1/4-20x 1.5 Zinc
47	2	113-02	O-Ring #106-8309
48	1	810-21	Lever Asm. Brake - RH
49	1	810-20	Lever Asm, Brake - LH
53 to 57			See Section 5.0 Brake System
58	2	117-27	Locknut, Nylon 1/4-20 Zinc
59	2	103-66	HHCS 1/4-20x4.0 GR5 Zinc
60			See Section 3.0 Clutch System
61	1	612-76	Cable Asm, Throttle
62	1	612-92	Cable Asm, Choke incl 63
63	2		jam Nut, 5/16-24, Part of 62
64	2	108-24	Washer 5/16 SAE Zinc
65	1	126-75	Knob, Choke - Black
66	2	103-18	HHCS 3/8-24x1.25 GR5 Zinc
67	2	108-06	Lockwasher 3/8 SIR Zinc
67a	1	108-06	Lockwasher 3/8 SIR Zinc
67b	1	108-06	Lockwasher 3/8 SIR Zinc
68	3	108-18	Washer 13/32x1.375x11GA
69	1	125-56	Drive Belt
70	1	103-34	HHCS 3/8-16x1.25 GR5 Zinc
71	1	110-09	Key 1/4 x 114 x 3.0
77	2	103-17	HHCS 3/8-16x1.0 GR5 Zinc
78	2	108-26	Washer 3/8 Zinc
79	1	603-29	Guard, Belt Protect
80	1	601-92	Trim, Vinyl - 1.5"
81	1	601-93	Trim, Vinyl - 4.25"
86	4	106-07	Retaining Ring N1400-75
87	2	127-33	Spring, Extension
88	3	103-55	HHCS 5/16-18x2.75 Gr5 Zinc
89	3	108-05	Lockwasher 5/16 Zinc
92	1	850-61	Bracket Asm. Steering
93	1	812-27	Lever Asm, Steering - LH
94	1	812-26	Lever Asm, Steering - RH
101	4	103-41	SHCS 3/8-16 x 1.25 Zinc
102	4	108-23	Washer 3/8 SAE Gr8 - Dich.
103	2	126-89	Cap. Vinyl - Black



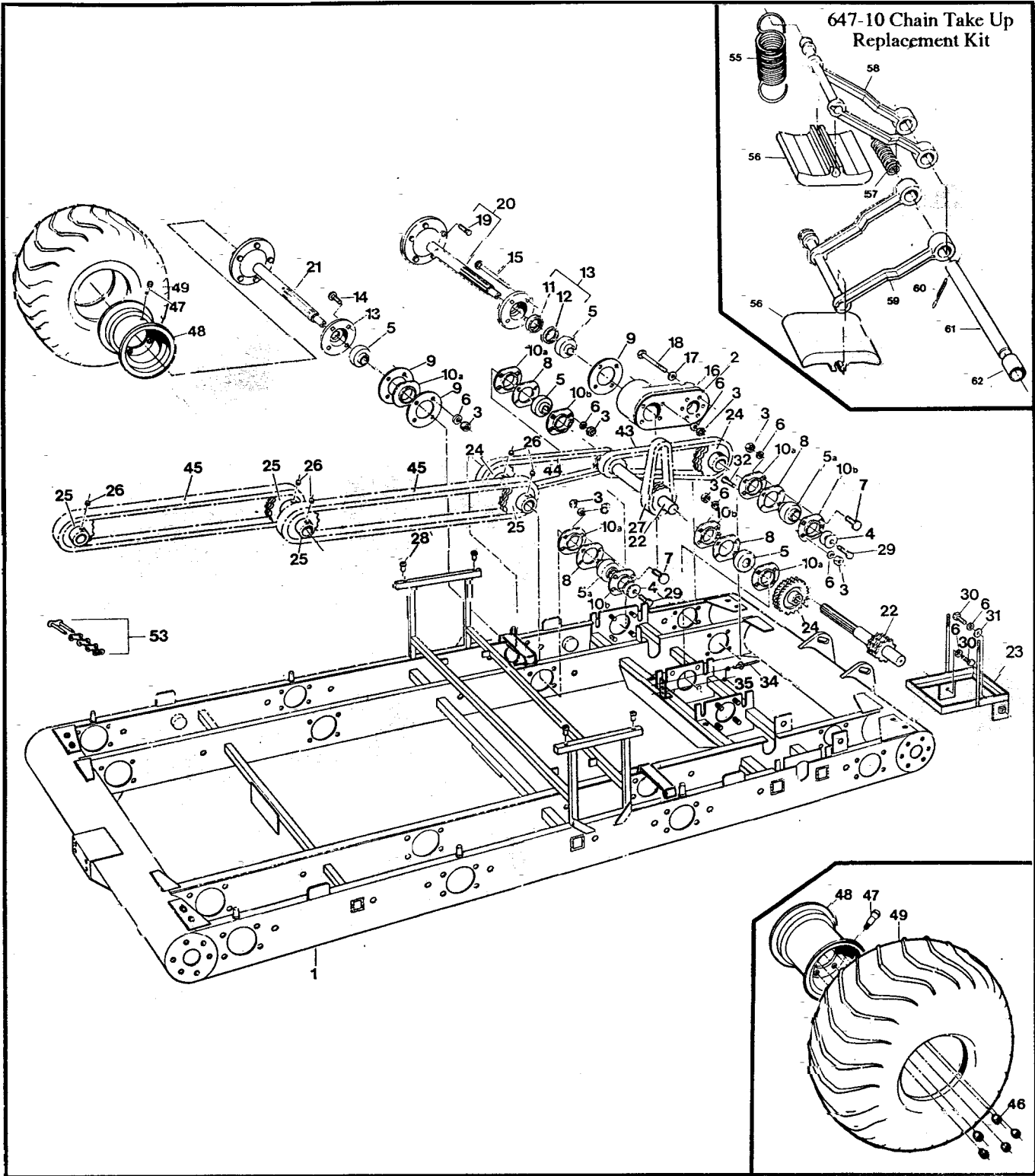
1	1	166-01RM	caliper, Brake-Lw/o pads (incl. Kefs 5,6,7,9-12)
2	1	166-02RM	Caliper, Brake-Rw/o pads (incl. Refs 5,6,7,9-12)
3	2	161-01	O-Ring Kit, Caliper (incl. Refs 5 & 6)
4	2	160-40	SHCS M8 x 1,25 x 40 Zinc
5	1		Seal, Rubber-5mm (see Ref 3)
6	2		Seal, Piston-41mm (see Ref 3)
7	2x2	168-05	Piston 41mm
8	1	170-02	Brake Pad Set (4)- Non-asbestos
9	1x2	168-20	Plug, Rubber
10	1x2	168-03	Screw, Bleeding M10 x 1,0
11	1x2	109-03	Ball, Steel - 7/32 Dia.
12	2x2	160-41	SHCS M10x1,5x50mm Zinc
13	2x2	168-06	Pin, Cotter 3,2 x 50mm
14	4	160-44	Bolt, Banjo-MIOxl,0x21,0 Zinc
15	8	160-01	Washer, Copper - 1,5x10,0x14,0
16	1x2	163-01	Hose Asm, Hydraulic-310mm
17	1	165-06	Master Cylinder -left (incl. Refs 19 to 21, 24 to 28, 63 & 64)
18	1	165-05	Master Cylinder - right (incl. Refs 19 to 21, 24 to 28, 63 & 64)
19	2x2	160-42	FHMS M5 x 0,8 x 6mm
20	1x2	168-08	Cover
21	1x2	168-09	Cover, Rubber
22			See Section 4.0 Power Pack Assembly
24	1x2	162-02	Spring, comp. 0.59 x 1.5
25	1x2		Seal, Primary, 19mm (See Ref. 30)
26	1x2	168-10	Piston 19mm Dia.
27	1x2		Seal, Secondary, 19mm (See Ref. 30)
28	1x2		Boot, Rubber (See Ref. 30)
30	1x2	161-25	O-Ring Kit-Master Cylinder (incl. Refs 25, 27 & 28)
31	2	812-13	Pin Asm, Plunger-Adjustable
32	2	812-17	Collar
33	2	112-02	SHSS 10-24x1/4 Knurl Cup Pt,PL
34		126-19	Fluid, Brake-Silicon Dot 5 - .35L
39	1	125-92	Adpt. & Mounting Kit - Fan (incl. Refs 43 to 50)
40	1	125-91	Blower Fan
41	4	120-13	Rivet 3/16x5/8 - Black
43	1		Mounting Bracket
44	1		Nut, #10-32
45	1	See	Lockwasher, 3/16'
46	1	125-92	Screw, #10-32 x 2"
47	2	Above	Nut, 1/4-20
48	2		Lockwasher, 1/4"
49	2		Screw, 1/4-20x 5/8"
50	1		Adaptor, 3" Dia.
52	3	125-35	Clamp, Gear 3.50' HF-52
53	1	127-44	Hose, Intake 3" dia. x 46'
54	1	601-89	Intake Flange (specify colour)
55	1	126-61	Intake Screen
56	4	112-56	Pan HD Phil T/S #10x3/4 A Zinc
57	1	127-39	Brake Cool Air Duct
58	4	108-03	Lockwasher 1/4 Split ring
59	4	112-19	Screw, IHWH T/C Slot 1/4-20x1/2
60	1	668-11	Mounting Bracket - Duct
61	1	118-02	Terminal, Male #76-1251
62	1	118-03	Terminal, Female #76-1289
63	1x2	160-03	O-Ring, Oil Window
64	1x2	168-14	Oil Window, Master Cylinder



Response Parts Manual

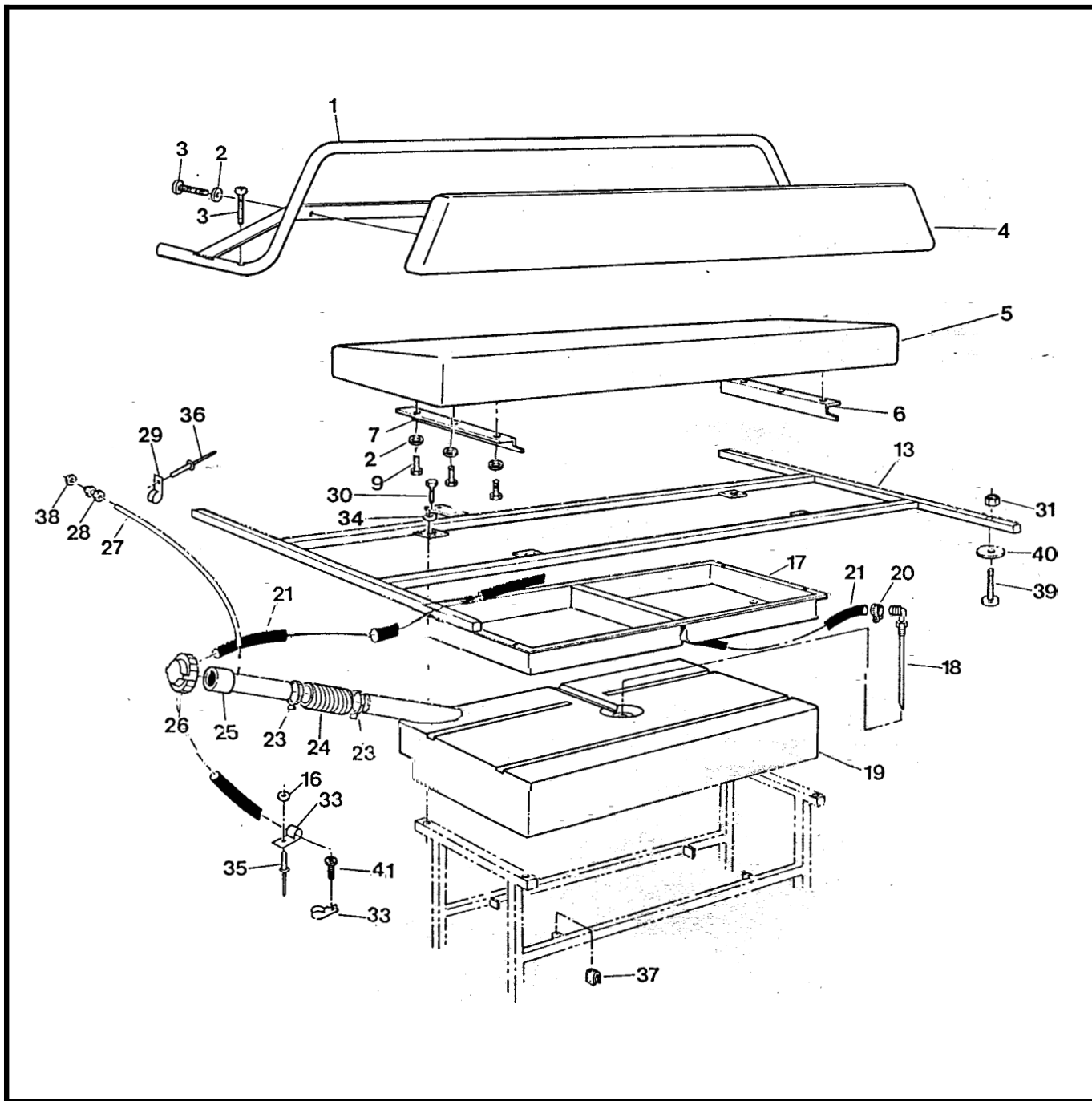
6.0 Vehicle Body & Firewall

Ref	Qty	Part No.	Description	Ref	Qty	Part No.	Description
1	1	801-44	Body & Hood, Upper - Response Replacement, specify colour (incl. Ref 5b, 11 to 15 & 38)	37	1	120-60	Vinyl Strip 1/2x1/4x37.5
2	1	801-45Bl	Body, Lower - Response, Black	38	2	120-05	Washer
3	1	127-28	Plug, Nylon - Black	39	6	100-16	Clip, Hitch Pin 1.625 Zinc
4	1	801-05	Bumper, Vinyl - 8x8	40	2	100-18	Plug, Drain 5/8x13/32
5	1	602-37	Hood Kit - Response, (specify colour) (incl. Ref 6 to 10 and 36c)	41	1	801-03	Seat, Rear LH - 8x8
6	1	801-47	Duct, Intake Transition (specify colour)	42	1	801-02	Seat, Rear RH - 8x8
7a	2	127-45A	Pin, Hinge	46	1	100-61	Coupler Ball c/w Bolt & Washer
7b	2	127-45B	Knuckle, Hinge	47	4	103-61	HHCS 3/8-24x1.5 GR5 Zinc
8a	8	103-47	HHCS 10-24x1/2 Zinc	48	4	117-24	Locknut, Nylon 3/8-24 Zinc
8b	7	120-13	Rivet 3/16 x 5/8	49	1	616-16	Hitch Assembly
8c	5	120-13	Rivet 3/16 x 5/8	50	1	126-72	Plate, Holding Brake
8d	10	120-09	Rivet 3/16x1	51	1	126-65	Shifting Plate
9	2	126-10	Wing Stud	52	1	127-26	Steering Lever & Winch Plate
10	2	126-09	Grommet, Alum. #GH-7	53	1	126-67	Floor Pan Plate
11	1	602-24	Hood Frame Assembly	54	1	126-68	Operation Plate
12	2	120-15	Rivet 1/8 x 7/16	55	1	126-69	Fuel Plate
13	1	601-69	Spring Plate	56	1	127-76	Plate, Capacity - Land/Water
14	1	126-11	Spring	57	1	126-64	Vehicle ID Plate
15	2	112-19	Screw, IHWH T/C Slot 1/4-20x1/2	58	1		U.S. Plate, Non U.S. Argos only
16	1	602-29	Brace, Dash				
17	1	601-08	Vinyl Trim, 84"	61	1	125-41	Dash Handle, incl. 62
18	2	601-09	Vinyl Trim, 28"	62	2		Plug cap, avail. only with 61
19	4	112-04	HHCS 1/4-20x3/4" Gr2 Zinc	63	3	117-10	Locknut, Nylon#10-24 Zinc
20	16	108-25	Washer 1/4 Zinc	64	1	126-88	Bumper, Rubber
21	4	108-03	Lockwasher, 1/4 Split Ring	65	3	103-25	PHMS #10-24x3/4 Zinc
22	4	801-41	Washer, Seat	66	1	602-38	Clip, Hood
23	4	126-79	Bumper, Plastic - Black	67a	2	613-75	Bezel, Headlamp
25	4	103-48	T/S Pan HD Phil#10 5/8 A Zc	67b	2	613-76	Bracket, Headlight Backing
26	38	120-24	Rivet, Alum - 3/32x3/8-all plates	68			See Section 9.0 Electrical
27a	60	120-09	Rivet 3/16 x 1	69	8	103-24BL	OHPS T/S #6 x 1.0 Black Zinc
27b	25	120-09	Rivet 3/16 x 1	70	1	108-53	Washer 3/4x1.5x.125 SAE
28	1	601-44	Nameplate, ARGO	71	1	616-19	Tube, Hitch - Insert
28a	2	127-42	Nameplate, 8x8 Response	72	1	104-13	Pin, Top Link
29	4	117-44	T-Nut 1/4-20 PL	73	1	117-15	Nut, Fin. Hex 3/8-16 Zinc
31	1	609-33	Firewall Asm (incl. 9, 10, 26, 32, 51)	74	1	602-27	Support, Adjustable
32	1	125-84	Grommet, Rubber	75	1	103-89	C/Bolt 3/8-16x3/4 GR2 Zinc
34	1	803-02	Floor Pan, Front (specify colour)	76	1	108-06	Lockwasher 3/8 Zinc
35	1	803-03	Floor Pan, Rear (specify colour)	80	2	127-01	Reflector, Red
36a	60	120-04		81	4	103-48	T/S Pan HD Phil#10x5/8 A Zinc
36b	2	120-05	Washer .195IDx.50ODx.04 Zinc	82	1	104-11	Pin, Lynch
36c	5	120-04	Washer .195IDx.50ODx.08 Zinc	83	8	108-59	Lockwasher#10 Int. Tooth Zinc



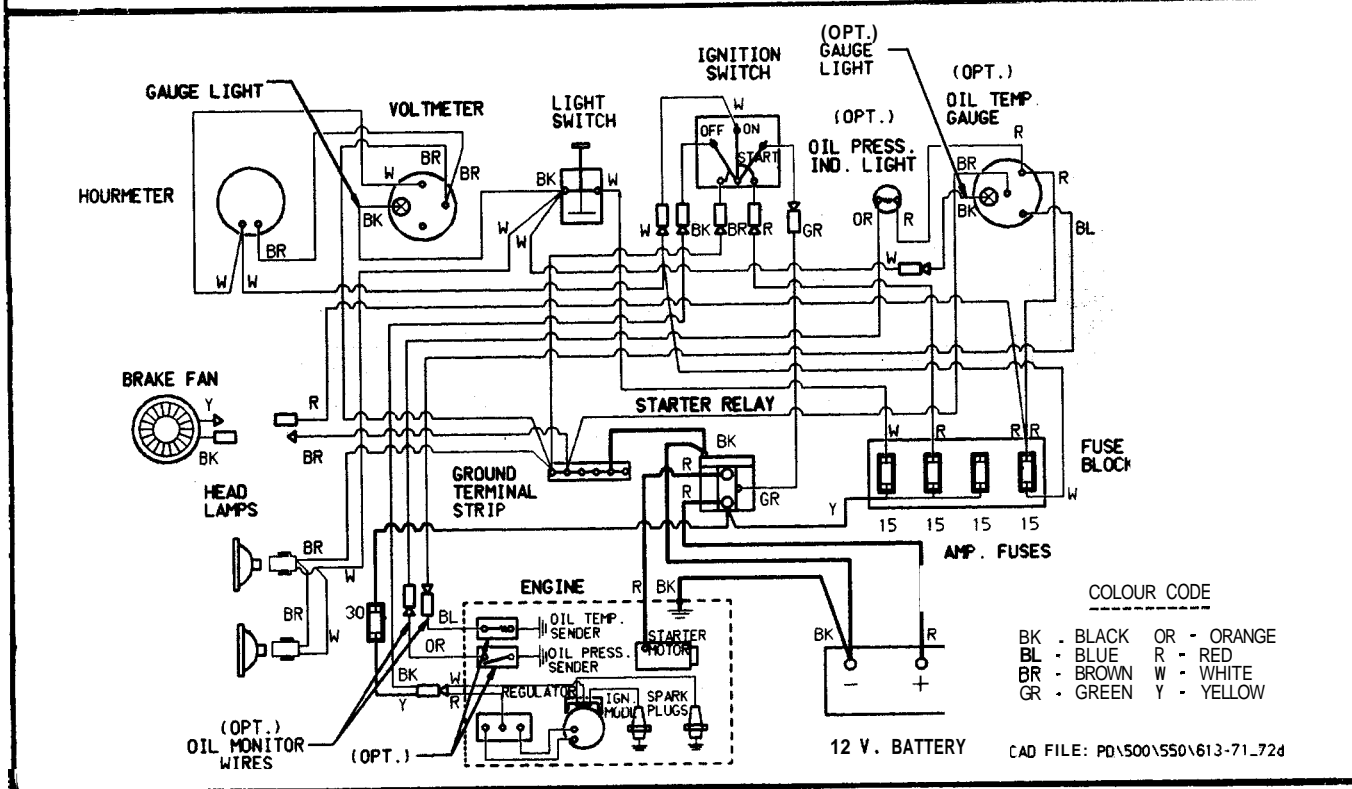
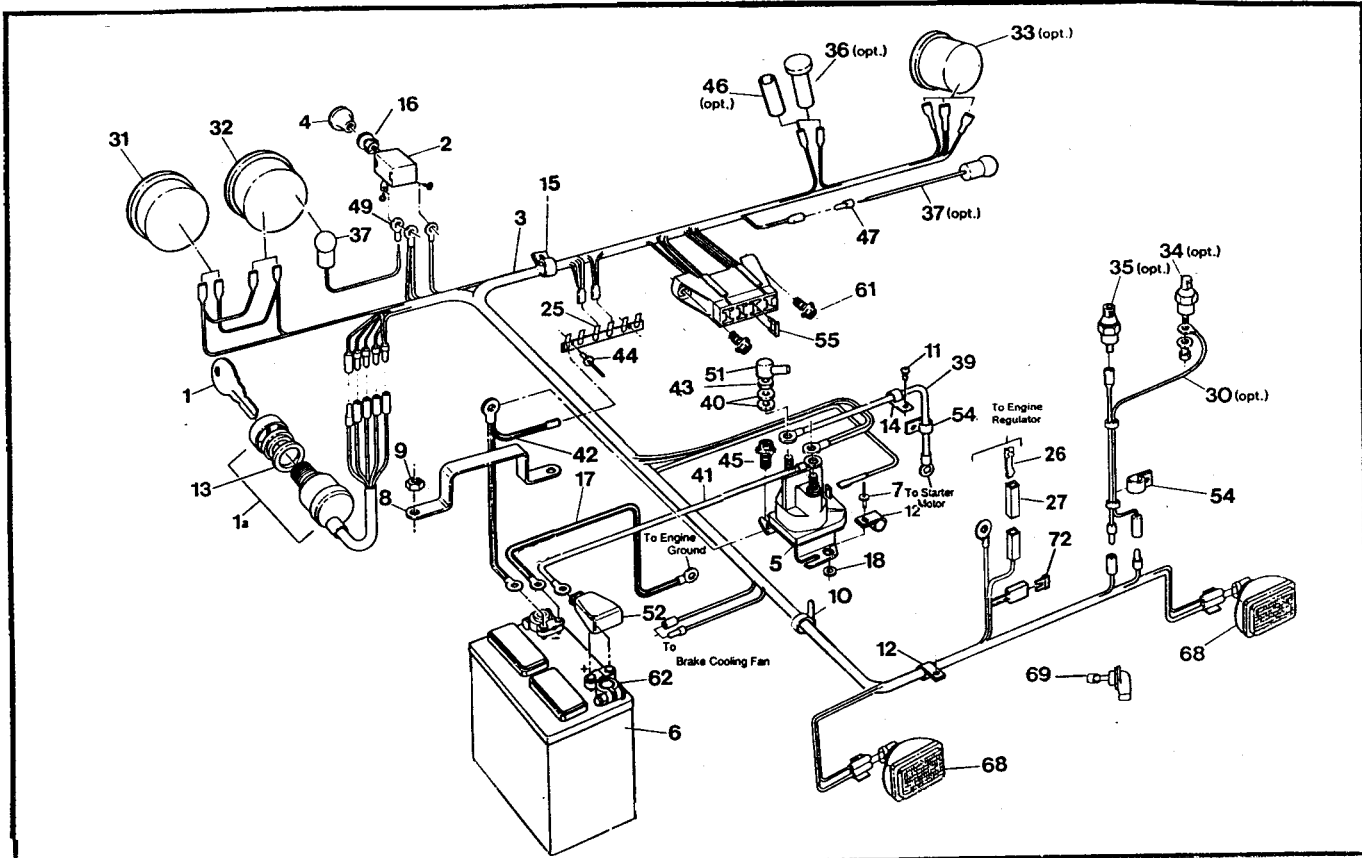
Ref	Qty	Part No.	Description
1	1	804-90	Frame Asm
2	2	605-69	Gasket GRC-36 Mat'l
3	80	117-15	Nut, Fin Hex 3/8-16 Zinc
4	16	108-46	Washer 13/32x1.375x12
5	12	101-35	Bearing, Ball #1030-1.1/4 GFS
5a	8	101-41	Bearing, Ball #1030-1 GFS
6	82	108-06	Lockwasher 3/8 S/R Zinc
7	30	103-88	C/Bolt 3/8-16x1.0 GR5 Zinc
8	12	605-99	Gasket, Flange
9	14	605-89	Gasket, Outer Bearing Flange
10a	18	605-63	Flange Bearing - Outer
10b	12	101-20	Flange Assem, Bearing
11	8	102-14	Seal, Oil CR #12361
12	8	102-15	Seal, Oil 1.25x1.874x0.25
13	8	605-97	Flange Assem, Outer (incl. Refs. 11 & 12)
14	24	112-39	C/Bolt 3/8-16x1-3/4
15	8	103-67	C/Bolt 3/8-16x6.0 GR2 Zinc
16	2	810-36	Bearing Extension (uses Refs. 17 & 18)
17	12	108-34	Washer 7/16 SAE Zinc
18	12	103-81	HHCS 7/16-20x2.5 GR5 Zinc
19	5x8	103-80	Stud, Wheel 7/16-20 x 1.125 #B271 (see Refs. 20,21)
20	2	810-73	Axle Assembly - Front/Rear (incl. Ref. 19)
21	6	810-75	Axle Assembly - Mid (incl. Ref. 19)
22	2	810-45	Shaft, Idler - 11T
23	1	604-84	Frame Assembly, Battery
24	6	810-28	Sprocket, Double - 24T
25	8	810-29	Sprocket - M/R Axle - 19T
26	10	112-03	SHSS 5/16-18x3/8 1/2 DOG, PL
27	2	803-17	Chain, Idler RC50-2 x 40P
28	4	117-64	Insert, 1/4-20
29	8	112-31	HHCS 3/8-16 x 1.0 2B GR8 Zinc
30	2	112-14	HHCS 3/8-16x.75 GR5 Zinc
31	1	108-15	Washer 3/8 SAE Zinc
32	2	103-82	HHCS 3/8-16x1.5 GR5 Zinc
34	2	120-15	Rivet 1/8 x 7/16
35	1	126-11	Spring
43	2	603-17	Chain RC50 - 2x42P - Front
44	2	603-20	Chain RC50 - 2x70P - Mid
45	4	603-21	Chain RC50 - 2x96P - Rear
		Note:	(Refs. 27, 43, 44 & 45 come with Ref. 53)
46	5x8	117-35	Nut, Wheel 7/16-20 Zinc
47	8	125-26	Valve, Tire
48	8	125-13C	Rim - Char. 8x7-5 Bolt
49	8	126-96	Tire, Goodyear Runamuk 22x10-8
53	1x10	100-96	Con. Link, RC50-2 H.D.
55	1x6	125-61	Spring Tensioner
56	2x6	603-61	Slider Block
57	1x6	125-78	Spring, Spacer
58	1x6	603-77	Arm, Chain Tensioner - Upr
59	1x6	603-76	Arm, Chain Tensioner - Lwr
60	1x6	100-01	Pin, Cotter 1/8x1.50 Zinc
61	1x6	603-78	Pin, Pivot
62	1x6	603-66	Spacer, .500IDx.625LG
63	6	647-10	Chain Take-up Replacement Kit (incl. Refs. 55 thru 62 as shown)

8.0 Fuel System and Seat Assembly Response Parts Manual



8.0 Fuel System and Seat Assembly Response Parts Manual

Ref	Qty	Part No.	Description
1	1	803-50	Handrail Assembly
2	4	108-03	Lockwasher, Split Ring 1/4"
3	6	112-41	PHMS, PHIL 1/4-20x1.25 Zinc
4	1	608-39	Back Pad Assembly
5	1	608-43	Seat, Bench
6	1	608-30	Angle, Left
7	1	608-31	Angle, Right
9	6	112-04	HHCS 1/4-20x3/4 Gr2 Zinc
10	6	108-03	Lockwasher, Split Ring 1/4" Zinc
13	1	804-17	Frame Assembly, Seat
16	2	120-04	Washer .1951Dx.50ODx 08 Zinc
17	1	608-32	Tool Box
18	1	608-28	Pickup Assembly, Fuel (see Ref. 19)
19	1	608-24	Tank, Fuel 32 litre (incl. Ref. 18)
20	2	100-70	Clamp, Gear 1/2" HF-4
21	1	608-42	Fuel Hose - 110"
23	2	100-12	Clamp, Gear 2.25" HF-36
24	1	125-94	Hose, Filler
25	1	126-47	Neck Assembly, Fuel
26	1	126-46	Cap, Fuel
27	1	127-21	Hose, Vent 86"
28	1	126-50	Male Connector, 1/4"
29	5	126-94	Clamp, Nylon Wire - 1/4" ID
30	4	112-04	HHCS 1/4-20 x 3/4 Gr2 Zinc
31	12	117-10	Locknut, Nylon #10-24 Zinc
33	4	126-93	Clamp, Nylon Wire - 1/2" ID
34	4	108-08	Washer, .28 x .62 x .04 Zinc
35	3	120-09	Rivet 3/16x1
36	5	120-13	Rivet, 3/16 x 5/8
37	4	702-06	Foam Cushion
38	1	117-54	Locking PAL Nut, 1/2-20 Zinc
39	12	112-07	RHMS 10-24 x 1.25 Zinc
40	12	108-42	Washer .062x7/32x1.00 Zinc
41	1	103-48	T/S PAN HD PHIL #10x5/8 A Zinc



Ref	Qty	Part No.	Description
1	1	100-39A-1	Key
1a	1	126-17	Switch, Ignition, incl. Ref 1
2	1	100-62	Switch, Light
3	1	613-72	Wire Harness, incl. Fuse Holder
4	1	126-76	Knob, Light
5	1	613-68	Starter Relay
6	1	127-54	Battery
7	1	120-09	Rivet
8	1	604-52	Bracket, Battery Retaining
9	2	117-21	Locknut, Nylon 5/16-18 Zinc
10	8	100-64	Tie Wrap - 5.5" - Black
11	1	103-48	Pan HD PHIL T/S #10x5/8 A Zinc
12	11	126-93	Clamp, Nylon Wire - 1/2" ID
13	1	108-57	Lockwasher 3/4" ID Tooth Lock
14	1	126-93	Clamp, Nylon Wire - 1/2" ID
15	1	127-24	Clamp, Nylon - 1" ID
16	1	108-55	Lockwasher, Ext. Tooth 7/16
17	1	613-18	Ground Wire
18	1	120-04	Washer
25	1	613-37	Terminal Strip, Ground
26	1	118-56	Contact
27	1	118-57	Connector Housing
30	1	613-38	Oil Monitor Wires (opt.)
31	1	632-15	Hourmeter #56458-10 (#876EM)
32	1	633-10	Voltmeter #07583-15 (#830EM) (opt.)
33	1	634-11	Oil Temp. Gauge #07556-88 (#828EM) (opt.)
34	1	634-12	Oil Temp. Sender #02024-00 (opt.)
35	1	25.099.2,	Oil Pressure Switch, 6 psi (opt.) (Kohler#)
36	1	634-08	Engine Oil Pressure Light (opt.)
37	2	634-10	Light Kit, #06215-00 5/8" dia, see Ref. 32 8133 (opt.)
39	1	613-49	Cable, Starter
40	5	108-03	Lockwasher 1/4 Zinc
41	1	613-26	Cable, Power
42	1	613-58	Ground Wire
43	2	117-20	Nut, Fin. Hex 1/4-20 Zinc
44	2	120-15	Rivet 1/8 x 7/16
45	2	112-19	Screw, IHWH T/C Slot 1/4-20x1/2
46	1	118-48	Heat Shrink, 2 x 1/2 (opt.)
47	1	118-02	Terminal, Male-#76-1251-88
49	1	118-30	Terminal, Eye - #10
51	1	613-45	Terminal Insulator, (6 ga.)
52	1	127-55	Cap, Battery Terminal - Red
54	2	126-83	Clip, Hose 5/16 ID #C-950PC
55	4	118-49	Fuse, 15 Amp 2-prong (AT015)
61	2	112-51	Screw, IHWH T/C #10-24x5/8
62	2	127-56	Terminal, Battery Post
68	2	613-69	Headlamp, Halogen (incl. Ref. 69)
69	2	127-46	Bulb, Headlight - Halogen
72	1	118-51	Fuse, 30A 2-prong (AT030)

ARGO Products Manufactured by:

Ontario Drive & Gear Limited

P.O. Box 280 Bergey Court

New Hamburg, Ontario

CANADA NOB 2G0

Phone: (519) 662-2840

Fax: (519) 662-2421

ODG Dedicated to quality and performance.