



ARGO

JIM SHOCKEY *Signature Series* **PARTS MANUAL**

From Serial # ...25622

Foreword

ODG has prepared this parts manual for the AVENGER model to assist both qualified mechanics and vehicle owners in ordering correct, quality replacement ARGO parts. For the most current parts manual visit our website at www.argoatv.com.

Proper and regular service, and replacing old, worn or broken parts with the correct ARGO replacement parts, are both essential to prolonging the life of the ARGO. Please refer to this parts manual and/or our website www.argoatv.com before ordering any replacement part.

All information contained in this AVENGER Parts Manual is based on the latest product specification available at time of printing. If your AVENGER differs from the specifications contained in this manual, check our website www.argoatv.com for the most current information.

ODG reserves the right to alter specifications on the AVENGER model at any time, without obligation or prior notification.

Reproduction of this AVENGER Parts Manual, in whole or in part, is prohibited without prior written permission from Ontario Drive & Gear Limited.

Vehicle Identification

AVENGER - Serial Nos. ...25622

Explanation of Parts Manual Format

Ref - Reference number between assembly diagram and component parts list

Part No. - Argo replacement part number for identification and re-ordering

Description - Part description for identification and re-ordering

Qty - Indicates the quantity of a part used in an assembly



Using the Parts Manual

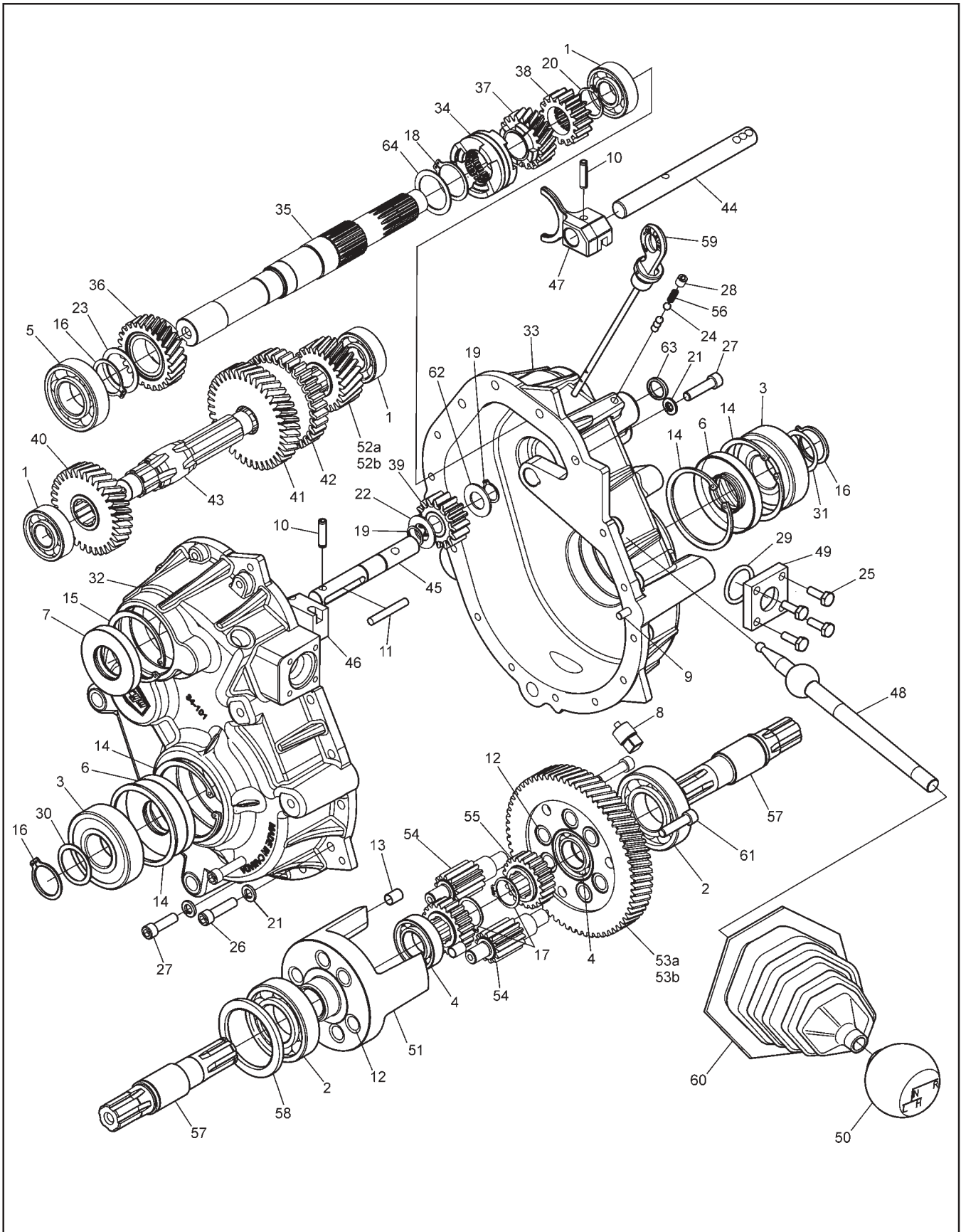
1. Find the major vehicle assembly in the Table of Contents on this page, and turn to that section.
2. Locate the part in the illustration that you wish to order.
3. Refer to the parts list in that section.
4. Find the correct part number (Part No.), part description (Description) and correct quantity (Qty).
5. Use *only* this information to order ARGO replacement parts. *DO NOT* attempt to order a replacement part by reference number or page number.

Table of Contents

Foreword	i
Vehicle Identification	i
Using the Parts Manual	ii
1.0 Transmission	1
2.0 Intake and Exhaust System	3
3.0 Clutch System	5
4.0 642-42 Brush Guard Kit	6
5.0 Power Pack Assembly	7
6.0 Steering & Brake System	9
7.0 CE Kit - 850-70 (Opt.)	11
8.0 Vehicle Body & Firewall	13
9.0 Frame & Drive System	15
10.0 Fuel System & Seat Assembly	17
11.0 Electrical System	19

1.0 Transmission

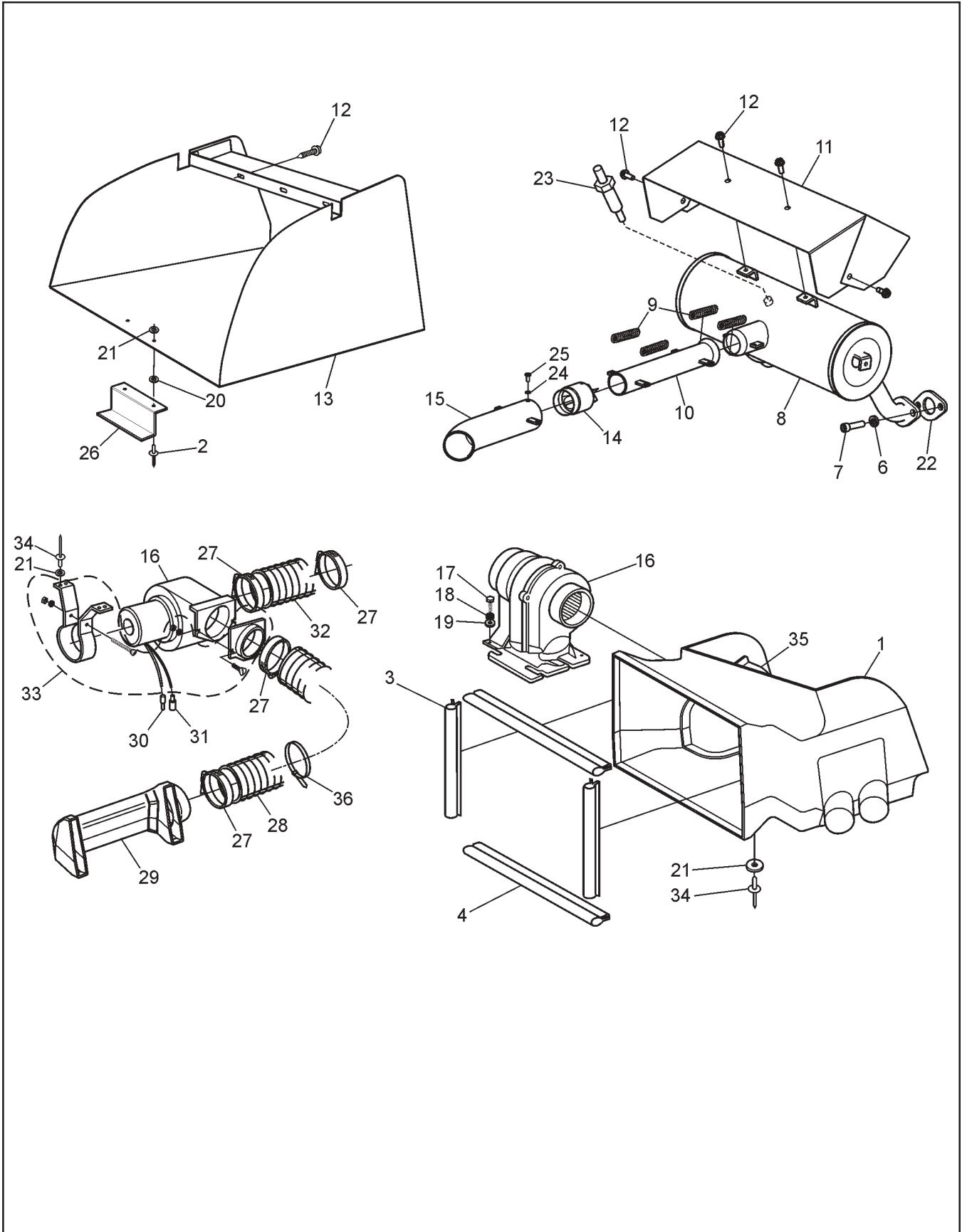
Avenger Parts Manual



Avenger Parts Manual

1.0 Transmission

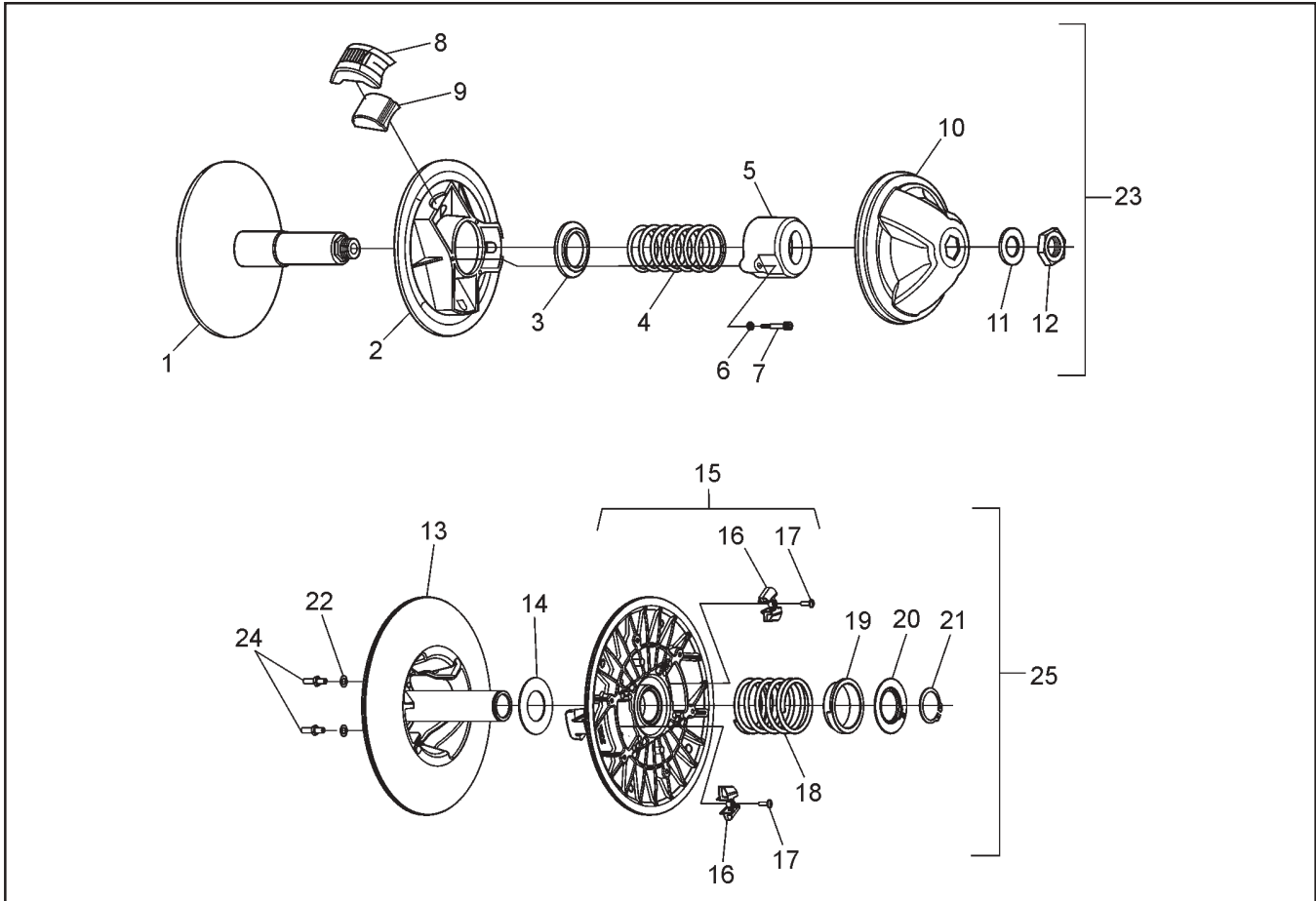
Ref.	Qty.	Part #	Description	Ref.	Qty.	Part #	Description
	1	34-100	Transmission Assembly	40	1	34-109	Gear, Helical - HI 12DP 33T
	1	34-100-3.3	Transmission Assembly	41	1	34-110	Gear, Helical - LOW 12DP 39T
1	3	101-01	Bearing, Ball 6204-C3	42	1	34-111	Gear, Reverse - 10DP 33T
2	2	101-03	Bearing, Ball 6207-C3	43	1	34-112	Shaft, Spline
3	2	101-05	Bearing, Ball 6306LLU-C3/2A	44	1	34-113	Shaft, Shift - Forward
4	2	101-15	Bearing, Ball 6005-C3	45	1	34-114	Shaft, Shift - Reverse
5	1	101-16	Bearing, Ball 6206-C3	46	1	34-115	Block, Shift
6	2	102-03	Seal,Oil WBS 30x72x10 NB D/LIP	47	1	34-116	Fork, Shift
7	1	102-05	Seal,Oil WBS 30x62x10 NB D/LIP	48	1	34-117	Lever, Shift
8	1	103-02	Plug, Magnetic 3/8-18NPT SQ.HD	49	1	34-118	Plate, Shifter
9	2	104-03	Pin, Dowel 1/4x7/8	50	1	34-121	Knob, Shift - w/Argo Logo
10	2	104-39	Pin, Spring - 1/4 x 1.0	51	1	34-122	Cage, Differential
11	1	104-40	Pin, Dowel - 1/4 x 1.75	52a	1	34-123	Pinion, Helical - 25T - 2.6
12	12	105-03	Bushing, Oilite - 1/2x3/4	52b	1	34-125	Pinion, Helical - 21T - 3.3
13	3	105-23	Bushing, Dowel - .312 x .5	53a	1	34-124	Gear Plate - 66T - 2.6
14	4	106-03	Retaining Ring HO-281PA	53b	1	34-126	Gear Plate - 70T - 3.3
15	1	106-05	Retaining Ring HO-244-PA	54	6	34-13	Gear, Planet - 12T
16	3	107-02	Retaining Ring SH-0118-PA	55	2	34-14	Gear, Sun - 21T
17	2	107-04	Retaining Ring SH-0098-PA	56	2	34-32	Spring, Comp. 0.22x.50
18	1	107-14	Retaining Ring LC-125-PA	57	2	34-98	Shaft, Output - Splined
19	2	107-11	Retaining Ring	58	1	114-01	Washer, Shim 2.25 x 2.81 x .02
20	1	107-15	Retaining Ring SHR-098-PA	59	1	CE-035	Dipstick - with Breather - 190mm
21	15	108-05	Lockwasher 5/16 Split Ring Zn	60	1	609-38	Boot, Shifter
22	1	108-78	Washer, Thrust	61	3	112-64	SHCS, 5/16-18 x 1.25
23	1	108-79	Washer, Thrust	62	1	108-81	Washer, Retaining Thrust
24	5	109-05	Ball, Steel 6mm 62-67 Rc	63	1	113-16	O-Ring #AS568-014-70BN
25	4	112-04	HHCS 1/4-20x3/4 Gr2 Zn	64	1	108-85	5/8"OD x 1/2"ID x 1/16" Thk Washer, Retaining Thrust
26	13	112-143	SHCS 5/16 x 1.25 Zn				
27	2	112-144	SHCS 5/16 x 1.0 Zn				
28	1	112-145	SHSS 5/16 - 18 X 3/8				
29	1	113-11	O-Ring #AS568-216-70BN				
30	1	114-04	Washer, Shim 1.19x1.50x.04				
31	1	114-05	Washer, Shim 1.19x1.50x.02				
32	1	34-101	Housing, Transmission - L				
33	1	34-102	Housing, Transmission - R				
34	1	34-127	Clutch, Dog				
35	1	34-130	Shaft, Input - 19/15T Spline				
36	1	34-128	Pinion, Helical - HI 12DP 26T				
37	1	34-129	Pinion, Helical - LO 12DP 20T				
38	1	34-107	Pinion, Reverse - 10DP 16T				
39	1	34-108	Gear, Idler - Rev - 10DP 16T				



Ref.	Qty.	Part #	Description
1	1	809-03	Duct, Intake
2	2	120-13	Rivet, 3/16 x 5/8 - Black
3	2	809-05	Seal, Radiator - 10.25" LG
4	2	809-06	Seal, Radiator - 16.25" LG
6	4	108-05	Lockwasher 5/16 Split Ring Zn
7	4	112-30	SHCS M8 x 1,25 x 20mm Zn
8	1	607-119	Muffler Ass'y, Avenger 1.25
8a	1	607-121	Muffler Ass'y, Avenger EFI
9	4	126-57	Spring, Extension- 7/16 x 2.14
10	1	607-125	Tube Ass'y, Muffler, Flared
11	1	807-85	Shield, Heat - Muffler
11a	1	607-123	Shield, Heat - Muffler - EFI
12	7	112-19	Screw, IHWH T/C Slot 1/4-20 x 1/2
13	1	607-109	Duct, Exhaust
14	1	607-126	Spark Arrester, 1.75 Dia.
15	1	607-117	Pipe, Tail - Asm
16	1	125-91	Blower Fan
17	4	103-47	HHCS, #10-24 x 1/2
18	4	120-05	Washer, .19 x .50 x .04
19	4	108-59	Lockwasher #10 Int. Tooth
20	2	125-58	Washer, Fibre - W-77F
21	14	120-04	Washer, .19 x .50 x .08 Zn
22	2	24 041 49	Gasket, Exhaust Manifold
23	1		See Section 4.0 Power Pack Assembly
24	1	108-77	Lockwasher, #8 External Tooth
25	1	112-43	Screw IHWH #8 x 3/8
26	1	707-44	Support, Exhaust Duct - Avenger
27	4	125-35	Clamp, Gear 3.50" HF-52
28	1	127-139	Hose, Brake Fan Discharge
29	1	127-134	Duct, Brake Cooling
30	1	118-02	Terminal, Male #76-1251
31	1	118-03	Terminal, Female #76-1289
32	1	127-140	Hose, Brake Fan Inlet
33		125-92	Adpt. & Mounting Kit - includes the following:
	1		Mounting Bracket
	1		Nut, #10-32
	1		Lockwasher, 3/16"
	1		Screw, #10-32x2"
	2		Nut, 1/4-20
	2		Lockwasher, 1/4"
	2		Screw, 1/4-20x5/8"
	1		Adaptor, 3" dia.
34	13	120-09	Rivet, 3/16 x 1.0 Black
35	1	809-04	Shroud, Intake Duct
36	1	100-102	Tie Wrap, 14" - White

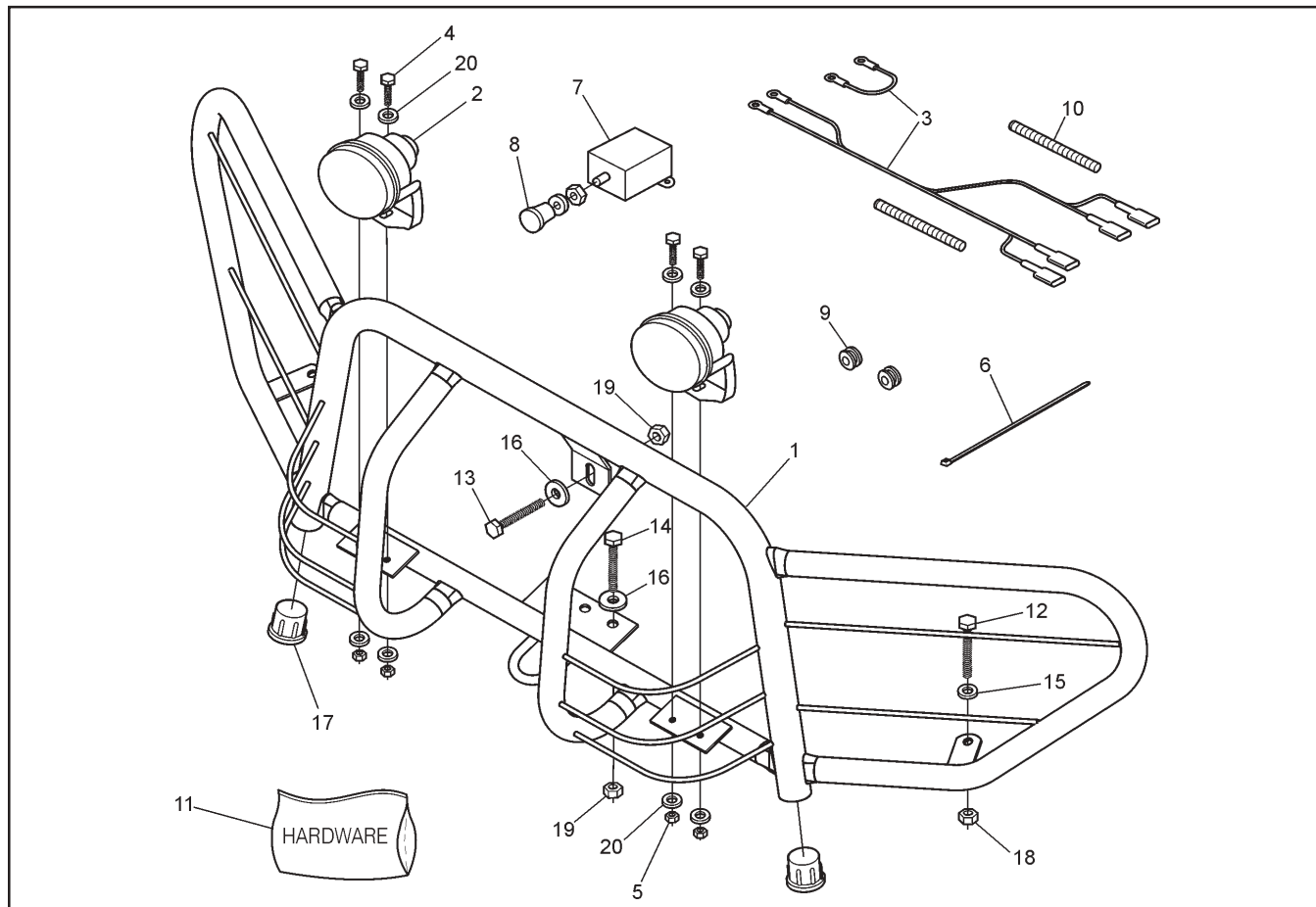
3.0 Clutch System

Avenger Parts Manual



Ref.	Qty.	Part #	Description
1	1	0405-0075	Flange, Fixed
2	1	0410-0026	Flange, Sliding
3	1	0150-1014	Spring Guide Washer
4	1	0451-1114	Spring
5	1	0440-0005	Spring Cover
6	3	0080-0167	Lockwasher
7	3	0080-0021	Screw, Cap
8	3	0130-3009	Block
9	3	0135-3065	Weight (275gr)
	3	0135-3062	Weight (240gr) - EFI Model
10	1	0115-0047	Cap
11	1	0080-0153	Washer, Zn
12	1	0080-0100	Nut
13	1	5905-0003	Flange, Fixed
14	1	0080-0164	Washer, Shim
15	1	5910-0002	Flange, Sliding
16	3	5930-3001	Cam Shoe
17	2	0080-0031	Screw
18	1	5951-1009	Spring

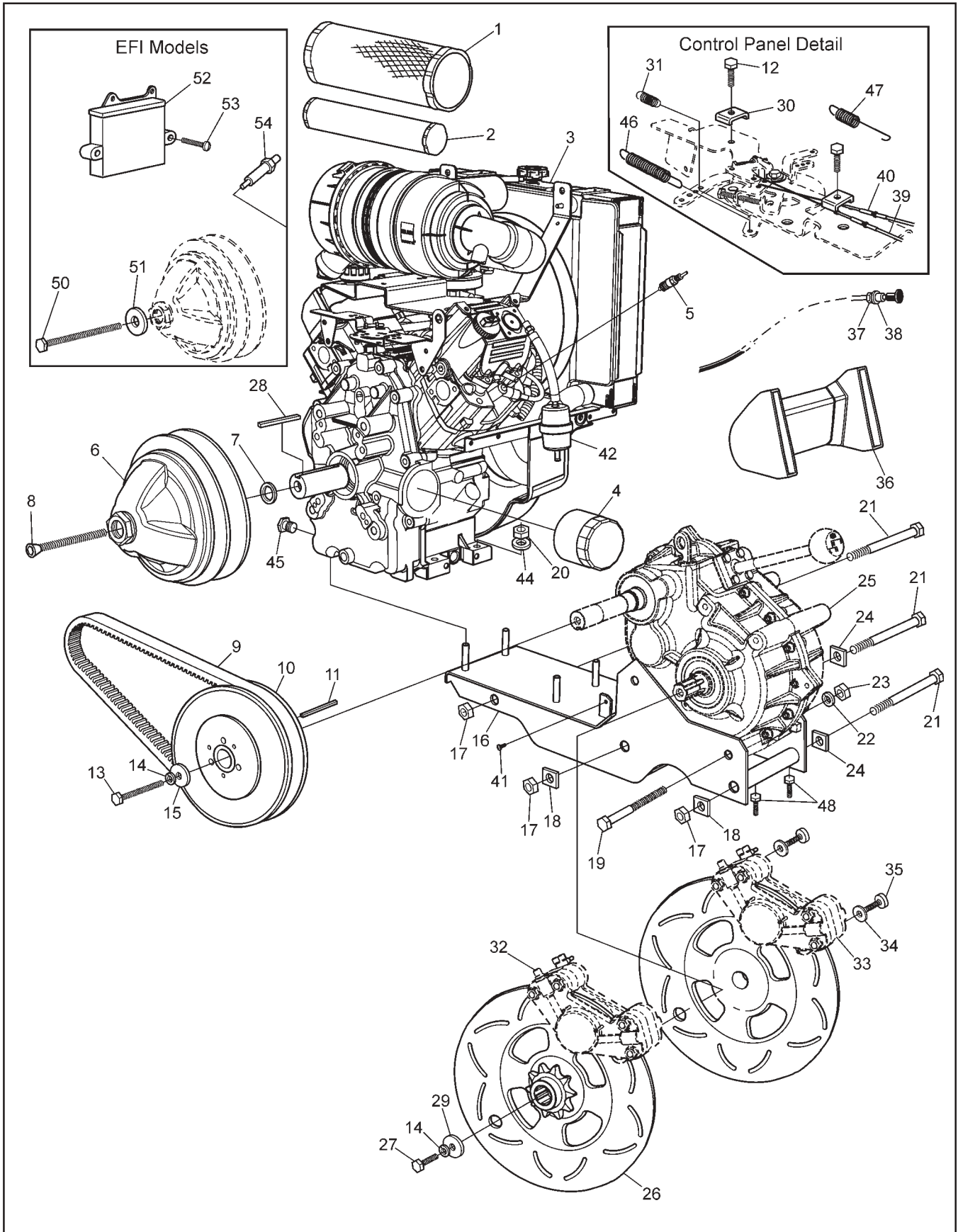
Ref.	Qty.	Part #	Description
19	1	5950-3003	Spring Protector
20	1	5950-3002	Spring Support
21	1	0080-0216	Retaining Ring, Outside
22	2	0080-0167	Lockwasher
23	1	127-157	Clutch, Driver - EFI Models
	1	127-135	Clutch, Driver
24	2	0080-0035	Screw & Nut Ass'y
25	1	127-156	Clutch, Driven - INVANCE



Ref.	Qty.	Part #	Description
1	1	642-41	Brush Guard Weldment, Jim Shockey
2	2	613-110	Light, Fog
3	1	613-109	Wire Harness, Fog Light
4	4	103-25	PHMS 10-24 x 3/4 Zn
5	4	117-10	Locknut, 10-24 N/I Zn
6	6	100-64	Tie Wrap - 5.5" - Black
7	1	100-62	Switch, Light
8	1	126-76	Knob, Light - Black
9	2	125-84	Grommet, Rubber
10	9"	810-90RM	Loom, Nylon - .500" ID
11	1	642-20HDW	Hardware Kit comprised of:
12	2	103-57	HHCS 5/16-18 x 1.5 Gr5 Zn
13	1	103-76	HHCS 3/8-16 x 1.75 Gr5 Zn
14	3	103-82	HHCS 3/8-16 x 1.5 Gr5 Zn
15	2	108-12	Washer .34 x 1.00 x .06 Zn
16	7	108-18	Washer .40 x 1.37 x .12 Zn
17	2	113-13	Plug, 1-1/4" Tube - Avg Brush Guard
18	2	117-21	Locknut, Nylon 5/16-18 Zn
19	4	117-29	Locknut, Nylon 3/8-16 Zn
20	8	120-05	Washer .19 x .50 x .04 Zn

5.0 Power Pack Assembly

Avenger Parts Manual



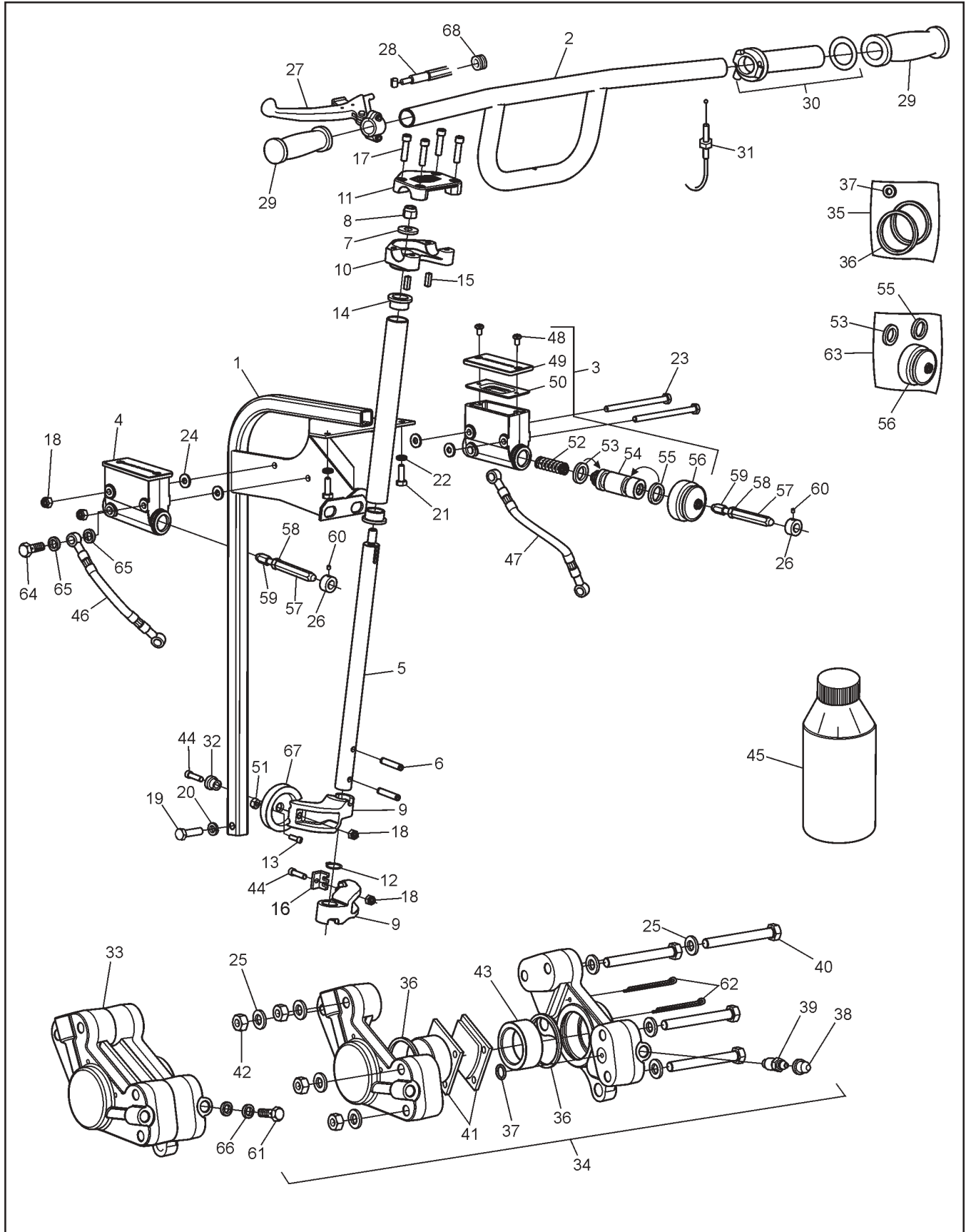
Avenger Parts Manual

5.0 Power Pack Assembly

Ref.	Qty.	Part #	Description	Ref.	Qty.	Part #	Description
1	1	25 083 01	Filter, Air	34	4	108-23	Washer .42 x .81 x .06 Gr8 Zn
2	1	25 083 04	Element, Inner	35	4	103-41	SHCS 3/8-16 x 1.25 Zn
3	1	LH690-0014	Kohler 26 HP Engine	36			See Section 2.0 Intake & Exhaust
3a	1	LH775	Kohler 31 HP Engine, EFI	37	1	117-68	Nut, Jam 3/8-24 UNF Zn
4	1	12 050 01	Filter, Oil	38	1	108-32	Lockwasher 3/8 Int. Tooth
5		66 132 01	Sparkplug	39	1	612-92	Cable Ass'y, Choke
6			See Section 3.0 Clutch System	40	1	612-116	Cable Asm., Throttle – Avenger
7	1	108-84	Washer, Engine Clutch	41	2	103-71	Screw, IHWHT/C 1/4-20 x 1.25 Zn
8	1	112-152	FHSC, 7/16-20 x 4.0" LG	42	1	125-64	Filter, Fuel
9	1	127-137	Drive Belt - 10.5" Cen. Dist	44	4	108-26	Washer, .43 x 1.02 x .09 Zn
10			See Section 3.0 Clutch System	45		112-156	Plug, Oil Drain 3/8-18NPT Hex
11	1	110-03	Key 1/4 x 3/16 x 2.375 RC46	46	1	24 089 46	Spring, Governer (Kohler #)
12	1	M-545016	Screw, Clamp Cable (Kohler #)	47	1	127-49	Spring, Extension
13	1	112-164	HHCS 3/8-16 x 3.5 Gr5 Zn	48	2	103-53	HHCS 3/8-16 x 3.0 Full Thread
14	3	108-06	Lockwasher 3/8 Split Ring Zn	50	1	112-160	HHCS, 7/16-20 x 4.50" Lg
15	1	108-46	Washer .40 x 1.37 x 1.2 Hi- Carbon	51	1	108-58	Washer, .47 x 1.37 x 12 Hi-carbon
16	1	806-35	Frame Ass'y - Power Pack	52	1	66 584 05	ECU (c/w engine)
17	3	117-83	Locknut, Stover 5/8-11 Zn	53	2	112-161	PHMS, 10-24 x 2.5
18	2	811-09	Washer, Square - .64 ID	54	1	24 418 05	02 Sensor
19	2	103-20	HHCS 1/2-13 x 6.5 Gr5 Zn				
20	4	117-29	Locknut, Nylon 3/8-16 Zn				
21	3	112-58	HHCS 5/8-11 x 7.5 Gr5 Zn				
22	2	108-07	Lockwasher 1/2 Split Ring Zn				
23	2	117-06	Nut, Fin Hex 1/2-13 Zn				
24	2	811-15	Washer, Square Lock .64 ID				
25			See Section 1.0 Transmission				
26	2	606-74	Disc, Brake-Splined #60-10T				
27	2	103-18	HHCS 3/8-24 x 1.25 Gr5 Zn				
28	1	110-18	Key 1/4 x 1/4 x 1.75				
29	2	108-18	Washer .40 x 1.37 x .12 Zn				
30	1	12 237 01	Clamp, Cable (Kohler #)				
31	1	24 089 51	Spring, Throttle (Kohler #)				
32			See Section 5.0 Steering & Brake System				
33			See Section 5.0 Steering & Brake System				

6.0 Steering & Brake System

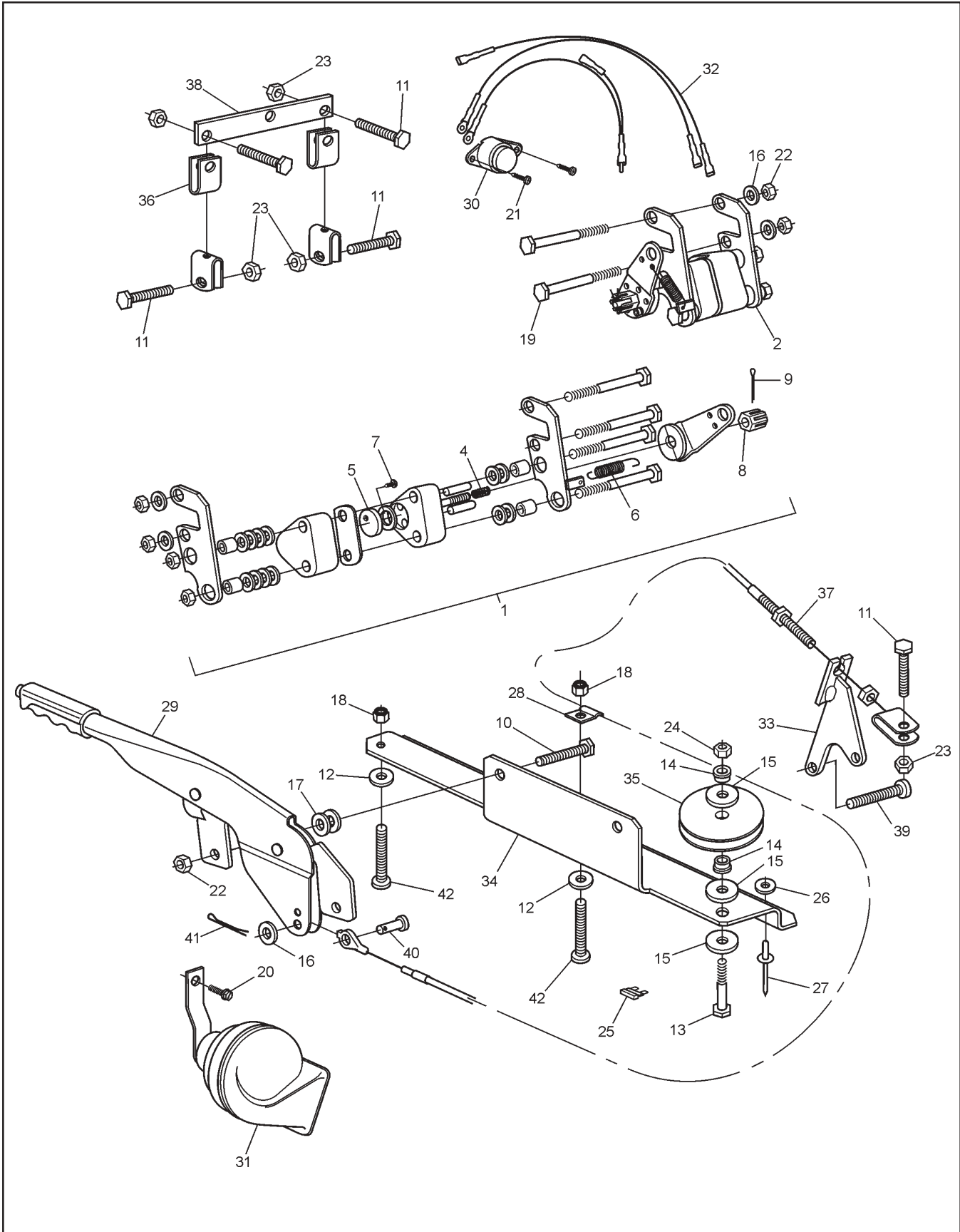
Avenger Parts Manual



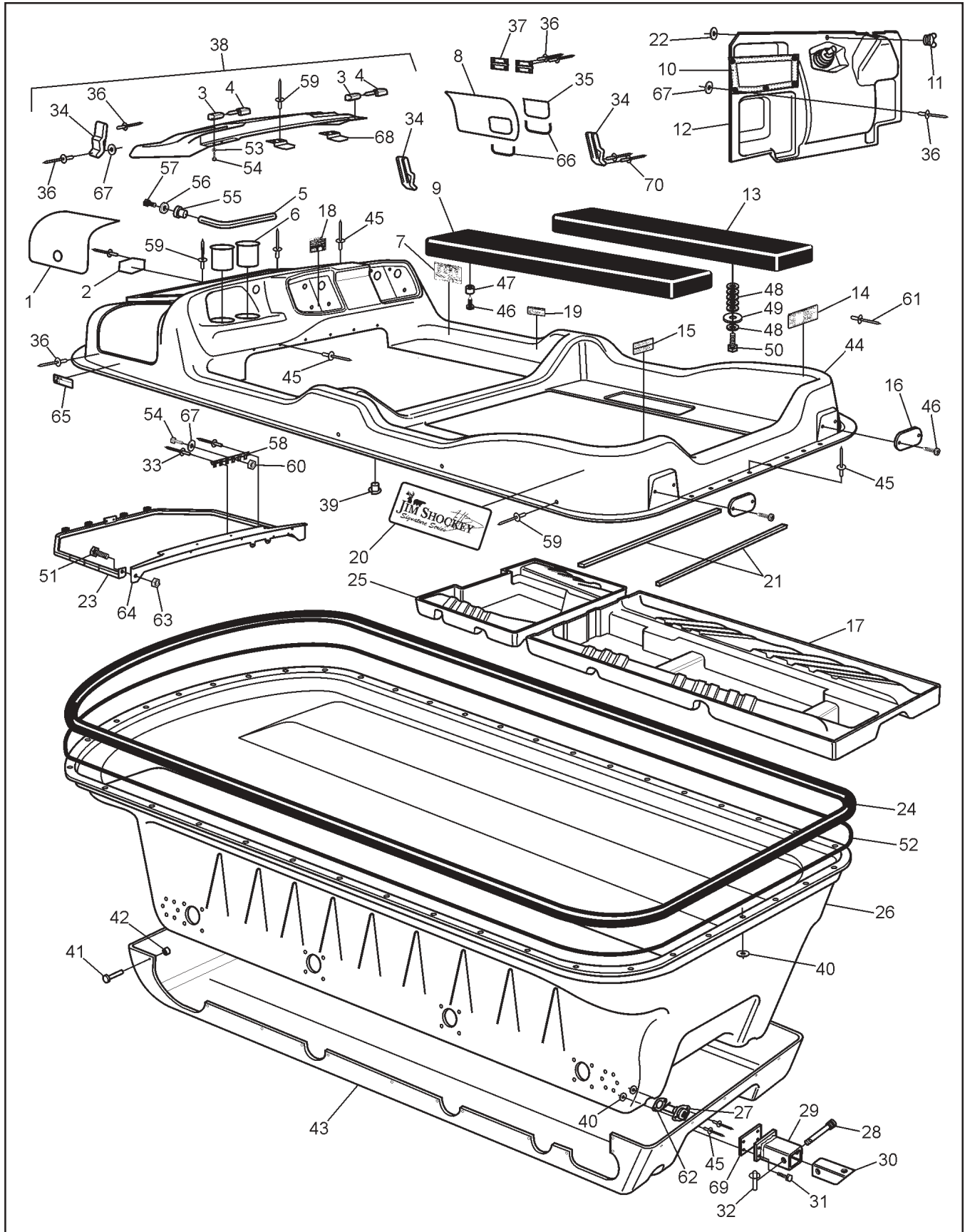
Avenger Parts Manual

6.0 Steering & Brake System

Ref.	Qty.	Part #	Description	Ref.	Qty.	Part #	Description
1	1	612-123	Frame Assembly, Steering Column	42	2x4	117-03	Nut, Fin Hex 5/16-18 Zn
2	1	612-107	Handlebar Assembly	43	2x2	168-01	Piston, Knott Caliper
3	1	165-08	Master Cylinder, Grimeca - R	44	2	112-159	BHCS, 1/4-20 x 1.0, Plated
4	1	165-07	Master Cylinder, Grimeca - L	45		126-19	Fluid, Brake-Silicon
5	1	612-128	Shaft, Steering - Avenger				Dot 5 - .35L
6	2	104-42	Pin, Spring 1/4 x 1.5"	46	1	163-03	Hose Asm, Hydraulic - Left - Avenger
7	1	108-47	Washer, .39 x .94 x .13 Zn Di-chr	47	1	163-04	Hose Asm, Hydraulic - Right - Avenger
8	1	117-29	Locknut, Nylon 3/8-16 Zn	48	2x2	160-42	Screw, FHMS
9	2	612-124	Arm, Steering				M5 x 0,8 x 6mm
10	1	612-106	Clamp, Lower Handlebar	49	2x1	168-08	Cover
11	1	612-105	Clamp, Upper Handlebar	50	2x1	168-09	Cover, Rubber
12	1	106-07	Ring, Retaining SH-0075PA	51	1	117-10	Locknut, 10-24 N/I Zn
13	1	160-46	SHCS, #10-24 x 3/8"	52	2x1	162-08	Spring, Comp. 17.3 x 49.3mm
14	2	105-16	Bushing, Oilite - 3/4 x 1/2	53	2x1		Seal, Primary, 19mm (See Ref. 63)
15	2	110-17	Key, 3/16 x 3/16 x .625	54	2x1	168-10	Piston 19mm dia.
16	1	128-24	Retainer, Handbrake Cable	55	2x1		Seal, Secondary, 19mm (See Ref. 63)
17	4	112-47	SHCS, 1/4-20 x 1.0 Zn	56	2x1		Boot, Rubber (See Ref. 63)
18	4	117-27	Locknut, Nylon 1/4-20 Zn	57	2	812-30	Pin, Female
19	1	103-38	HHCS 5/16-18 x 1.25 Gr5 Zn	58	2	117-03	Nut, Fin Hex 1/4-20 Zn
20	1	108-05	Lockwasher 5/16 Split-Ring Zn	59	2	812-31	Fin, Male
21	2	112-04	HHCS 1/4-20 x 3/4 Gr2 Zn	60	2	112-02	SHSS 10-24x1/4 Knurl Cup PT, PL
22	2	108-03	Lockwasher 1/4 Split Ring Zn	61	2	160-45	Bolt, Banjo
23	2	103-66	HHCS, 1/4-20 x 4.0 Gr5 Zn	62	2x2	168-07	Pin, Cotter 1/8 x 3.00 Zn
24	4	108-08	Washer, .28 x .62 x .04 Zn	63	2x1	161-25	O-Ring Kit - Master Cylinder - Grimeca (incl. Ref. 53, 55 & 56)
25	2x8	108-24	Washer, .34 x .70 x .06 Zn	64	2	160-44	Bolt, Banjo - M10 x 1,0 x 21,0
26	2	812-17	Collar	65	4	160-01	Washer, Copper - 1,5 x 10,0 x 14,0
27	1	128-17	Lever Assembly, Handbrake, Spring	66	4	160-04	Washer, Copper 2.3 x 10.0 x 16.0
28	1	128-21	Cable Assembly, Handbrake	67	1	165-18	Pulley, Handbrake Cable
29	2	127-35	Grip, Molded	68	1	125-84	Grommet, Rubber
30	1	127-81	Throttle Twist Grip				
31	1	612-116	Cable Asm., Throttle - Avenger				
32	1	105-25	Bushing, Flange Oilite FF-310				
33	1	166-10	Caliper, Hydraulic Brake - L w/o pads				
34	1	166-11	Caliper, Hydraulic Brake - R w/o pads				
35	2	161-05	O-ring Kit, Knott Caliper				
36	2		Seal, Piston				
37	2		Seal, Rubber				
38	2x1	168-20	Plug, Rubber				
39	2x1	168-02	Screw, Bleeding, Knott Caliper				
40	2x4	112-154	SHCS, 5/16-18 x 2.75 Zn				
41	1	170-03	Pad Set (4), Brake - Non-Asbestos				



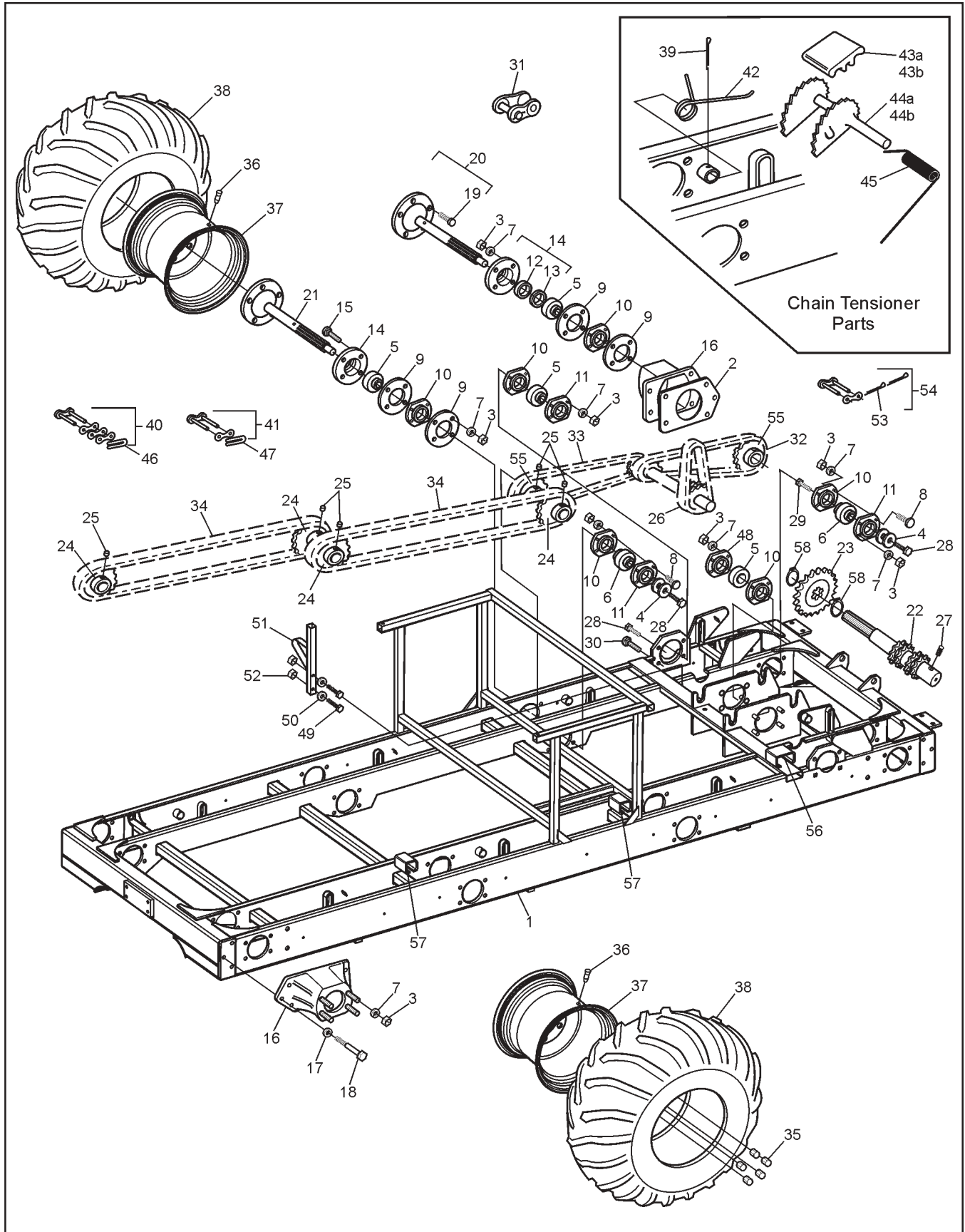
Ref.	Qty.	Part #	Description
1	1	850-96	Caliper Ass'y, LH, Parking Brake
2	1	850-97	Caliper Ass'y, RH, Parking Brake
3	1	850-98	Kit, Service, Parking Brake includes Ref. 4 - 9
4	1		Cam Tension Spring (compression)
5	1		Left & Right Brake Pads
6	1		Cam Arm Spring (tension)
7	1		Brake Pad Retaining Screw
8	1		Castle Nut
9	1		Cotter Pin
10	2	103-06	HHCS 5/16-18x1.0 Gr5 Zn
11	5	103-08	HHCS 1/4-20x1.0 Zn
12	2	108-42	Washer .21x1.0x.06 Zn
13	1	103-82	HHCS 3/8-16x1.5 Gr5 Zn
14	2	105-18	Bushing, Oilite - 3/8x1/4
15	3	108-15	Washer .42 x .81 x .05 Zn
16	21	108-24	Washer .34x.70x.06 Zn
17	4	108-47	Washer .39x.94x.13 Zn Di-Chro
18	2	117-10	Locknut, 10-24 N/I Zn
19	4	112-132	HHCS 5/16-18 x 3.25 Gr5 Zn
20	1	112-19	Screw,IHWH T/C Slot 1/4-20x1/2
21	2	112-56	T/S Pan Head Phil #10x3/4 A Zn
22	6	117-21	Locknut, Nylon 5/16-18 Zn
23	5	117-27	Locknut, Nylon 1/4-20 Zn
24	1	117-29	Locknut, Nylon 3/8-16 Zn
25	1	118-52	Fuse, 10A 2-Prong (AT010)
26	4	120-04	Washer .19x.50x.08 Zn
27	4	120-09	Rivet - 3/16 x 1.0 Black
28	1	128-13	Clip, Conduit-Anti
29	1	809-147	Lever, Parking Brake
30	1	848-86	Button, Horn
31	1	848-87	Horn, Electric
32	1	848-88	Wire Harness, Horn
33	1	850-72	Bracket Asm, Parking/Brake
34	1	850-78	Bracket, Parking Lever
35	1	850-79	Pulley, Parking Brake Cable
36	2	850-80	Cable, Parking Brake Equalizer
37	1	850-81	Cable, Parking Brake
38	1	850-82	Flat Bar, Equalizer
39	1	112-143/P1	SHCS 5/16x1.25 Zn
40	1	104-27	Pin, Clevis 5/16x.75" Zn
41	1	100-100	Pin, Cotter 1/8x3/4 Zn
42	2	112-07	RHMS 10-24 x 1.50 Zn



Avenger Parts Manual

8.0 Vehicle Body & Firewall

Ref.	Qty.	Part #	Description	Ref.	Qty.	Part #	Description
1	1	707-43	Screen - Exhaust - Avenger	39	2	117-44	T- Nut 1/4-20 Zn
2	1	601-44	Nameplate, "Argo"	40	86	120-04	Washer .19 x .50 x .08 Zn
3	2	127-45B	Knuckle, Hinge	41	32	120-27	Pin, Magna Grip
4	2	127-45A	Pin, Hinge	42	32	120-28	Collar, Magna Grip
5	1	601-101	Tube, Dash Handle	43	1	801-51	Skid Plate, 8x8 - Black
6	2	100-109	Cup holder Insert	44	1	801-52	Body & Hood, Upper - Avenger (spec. colour) (incl. 23, 33, 34, 35, 37, 38)
7	1	126-68	Plate, Operation	45	109	120-09	Rivet 3/16 x 1 - Black
8	1	707-46	Screen, Intake w/cutout	46	8	103-48	T/S Pan HD PHIL #10 x 5/8
9	1	608-64	Seat, Rear - Left	47	4	126-79	Bumper, Plastic - Black
10	1	100-108	Mesh, Glove Box	48	24	108-25	Washer .31 x .75 x .06 Zn
11	1	126-10	Wing Stud	49	4	603-15	Washer, Plastic 5/16 Hole
12	1	803-60	Firewall, Avenger	50	4	103-08	HHCS 1/4-20 x 1.0 Zn
13	1	608-65	Seat, Rear - Right	51	2	112-04	HHCS 1/4-20 x 3/4 Gr2 Zn
14	1	126-67	Plate, Floor Pan	52	1	126-60	Vinyl Strip, 1/2" x 1/4" x 37.5'
15	1	127-142	Plate, Vehicle Capacity - Avenger	53	8	108-59	Lockwasher #10 Int. Tooth Zn
16	2	127-01	Reflector, Red	54	9	103-47	HHCS 10-24 x 1/2
17	1	803-58	Floor Pan, Rear - Avenger	55	1	113-12	Insert, 1/2-13
18	1	127-141	Label, Caution - Keyswitch	56	1	108-35	Washer .53 x 1.06 x .09 Zn
19	1	126-69	Plate, Fuel	57	1	112-151	HHCS 1/2-13 x 1" Gr2 Zn
20	2	127-151	Nameplate - Jim Shockley Sig.	58	1	613-37	Terminal Strip, Ground
21	2	601-09	Trim, Vinyl - 28"	59	13	120-13	Rivet, 3/16 x 5/8 Black
22	1	126-09	Grommet, Alum. Flattened Half	60	1	117-10	Locknut, 10-24 N/I Zn
23	1	602-49	Frame Ass'y, Hood - Front	61	38	120-24	Rivet, 3/32 x 3/8 Alum. (all plates)
24	1	801-05	Bumper, Vinyl - 8x8	62	2	100-114	Gasket, Drain Plug
25	1	803-59	Floor Pan, Front - Avenger	63	2	117-82	Locknut, Flange 1/4-20 Zn
26	1	801-50	Body, Lower - Avenger	64	1	602-51	Frame Ass'y, Hood - Rear
27	2	100-107	Plug, Drain - Flanged	65	1	127-144	Label, Warning - HOT
28	1	104-13	Pin, Toplink - 3/4 x 2.75	66	2ft	601-107RM	Trim, Vinyl w/adhesive
29	1	616-16	Hitch Assembly	67	6	120-05	Washer, .19 x .50 x .04 Zn
30	1	616-19	Tube, Hitch	68	2	602-52	Clip, Hood - Avenger
31	4	103-61	HHCS 3/8-24 x 1.5 Gr5 Zn	69	1	616-20	Gasket, Rear Hitch
32	1	104-11	Pin, Lynch - Ring				
33	6	120-15	Rivet - 1/8 x 7/16				
34	3	602-56	Latch, Hood - Soft Draw				
35	1	707-47	Screen, Intake Flap				
36	48	120-11	Rivet 5/32 x 9/16 - Black				
37	2	127-162	Hinge, 1" x 1" Painted				
38	1	602-47	Hood Kit - Avenger (spec. colour) (incl. 3, 4, 34, 36, 53, 54, 59, 67, 68)				

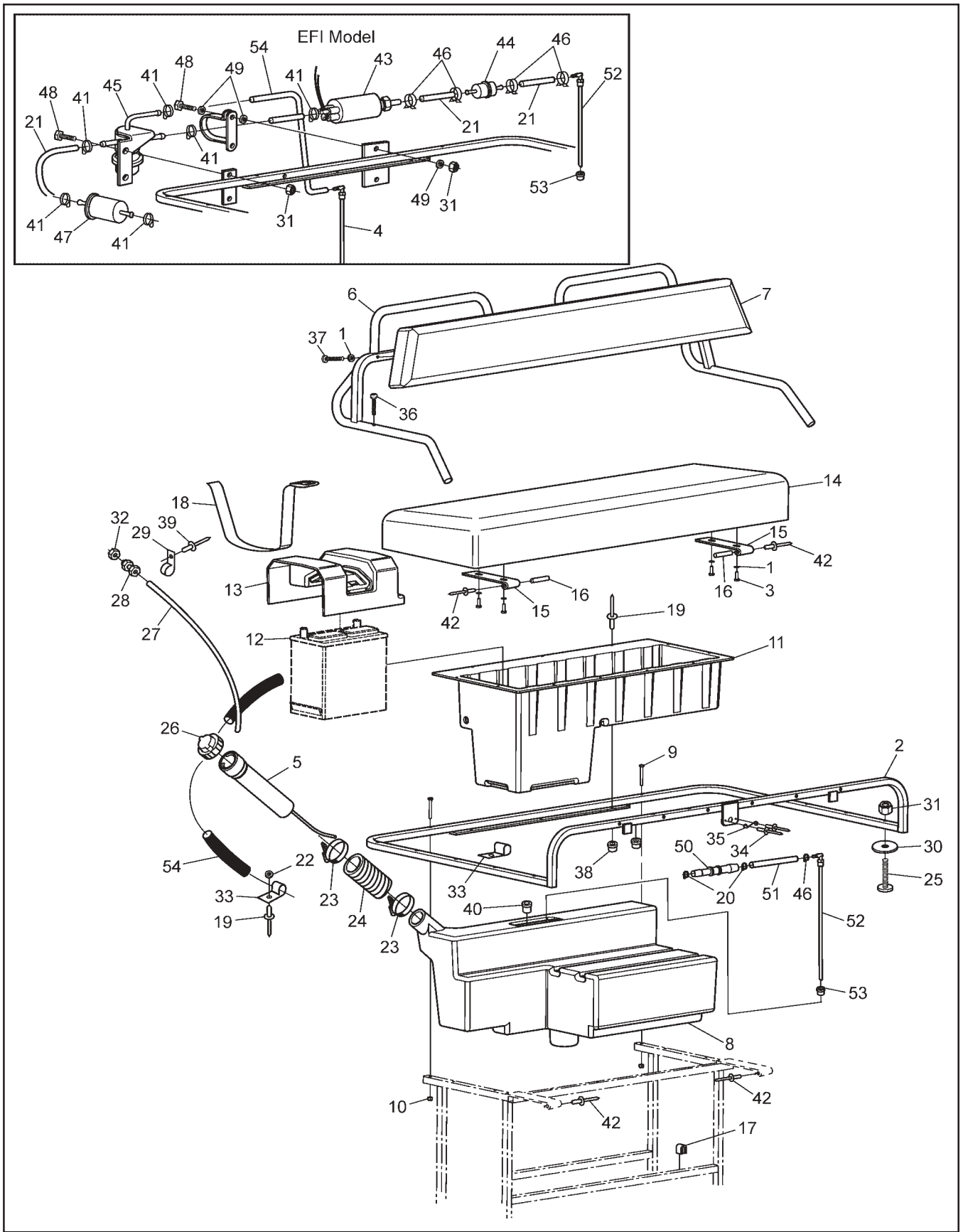


Avenger Parts Manual

9.0 Frame and Drive System

Ref.	Qty.	Part #	Description	Ref.	Qty.	Part #	Description
1	1	806-10	Frame Asm - Avenger	36	8	125-26	Valve, Tire
2	4	606-25	Gasket - Bearing Extension	37	8	127-61C	Rim - 10 x 9 - Charcoal
3	80	117-29	Locknut, Nylon 3/8-16 Zn	38	8	127-100SA	Tire, Rawhide III 25 x 11.50-9
4	16	108-46	Washer .40 x 1.37 x .12 Hi-Carbon	39	8	100-01	Pin, Cotter 1/8 x 1.50 Zn
5	12	101-35	Bearing, Ball - 1.25	40	1x4	100-96	Con. Link, RC50-2 H.D.
6	8	101-41	Bearing, Ball - 1.0	41	1x4	603-84	Con. Link, RC60-1 H.D.
7	80	108-15	Washer, .42 x .81 x .05 Zn	42	8	127-65	Spring Torsion - 1.16x0.35
8	31	103-88	C/Bolt 3/8-16 x 1.0 Gr5 Zn	43a	8	606-39	Slider Block - 1/2" Shaft
9	16	605-89	Gasket, Flange - Outer	43b	8	606-44	Slider Block - From NV25011
10	20	605-63	Flange - 4 hole	44a	8	606-35	Tensioner Asm, Chain - Prior to Serial # NV24794
11	10	101-20	Flange, Greasable - 4 hole	44b	8	606-82	Tensioner Asm, Chain - From Serial # NV24794
12	8	102-14	Seal, Oil 1.25 x 1.75 x 0.188	45	8	127-64	Spring, Torsion - .76 x 1.9
13	8	102-15	Seal, Oil 1.25 x 1.874 x 0.25	46	4	603-95	Spring Clip - RC 50 Closed
14	8	605-97	Flange Asm, Outer (incl. Refs. 12 & 13)	47	4	603-96	Spring Clip - RC 60 Closed
15	16	112-39	C/Bolt 3/8-16 x 1.75 Gr5 Zn	48	2	101-80	Flange, Greaseable - 90 Degree
16	4	810-91	Bearing Extension	49	2	103-97	HHCS 1/4-20 x 1.25
17	20	108-34	Washer .47 x .94 x .06 Zn	50	4	108-08	Washer .28 x .62 x .07
18	20	112-150	HHCS 7/16-20 x 1.5 Gr5 Zn	51	1	806-43	Support Asm, Firewall
19	5x8	103-80	Stud, Wheel 7/16-20 x 1.125 #B271	52	2	117-27	Locknut, Nylon 1/4-20
20	4	810-73	Axle Asm - Front/Rear (incl. Ref. 19)	53	4	104-35	Pin, Cotter 2mm x 12mm
21	4	810-75	Axle Asm - Mid (incl. Ref. 19)	54	2	603-94	Con. Link, RC60-1 Cotter Pin
22	2	810-59	Shaft, Idler - 11T	55	4	810-28	Sprocket, Double - 24T
23	2	606-72	Sprocket, Idler S60 x 21T	56	2	606-43	Slide, Chain - 2-3/4"
24	8	606-34	Sprocket, S60 x 19T	57	4	606-42	Slide, Chain - 1.25"
25	10	112-03	SHSS 5/16-18 x 3/8 1/2 DOG, PL	58	4	107-10	Retaining Ring SH-0125-PA
26	2	803-54	Chain, Idler RC60-1 x 34P (incl. Ref. 41)				
27	4	112-60	SHSS 1/4-28 x 1/2 Cup Pt.				
28	12	112-31	HHCS 3/8-16 x 1.0 2B Gr8 Zn				
29	1	112-163	HHCS 3/8-16 x 2.0 Gr5 Zn				
30	4	112-61	C/Bolt 3/8-16 x 1.25 Gr5 Zn				
31		127-80	Link, Half - RC60 - 1 (opt.)				
32	2	803-55	Chain, RC50-2 x 46P-Front (incl. Ref. 40)				
33	2	803-56	Chain, RC50-2 x 74P-Mid (incl. Ref. 40)				
34	4	803-57	Chain, RC60-1 x 90P-Rear (incl. Ref. 41)				
35	5x8	117-35	Nut, Wheel 7/16-20 Zn				

10.0 Fuel System & Seat Assembly Avenger Parts Manual

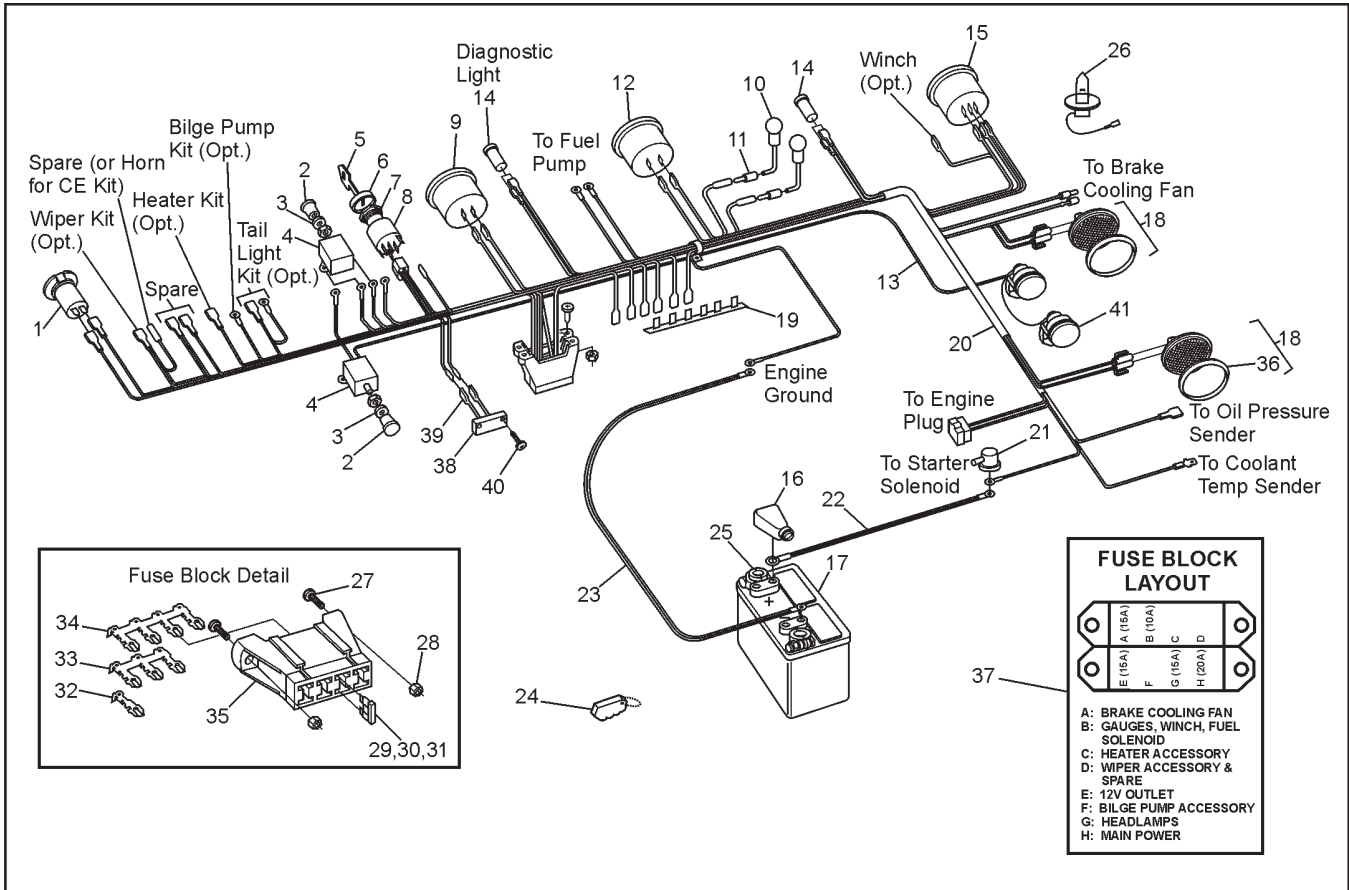


Avenger Parts Manual 10.0 Fuel System & Seat Assembly

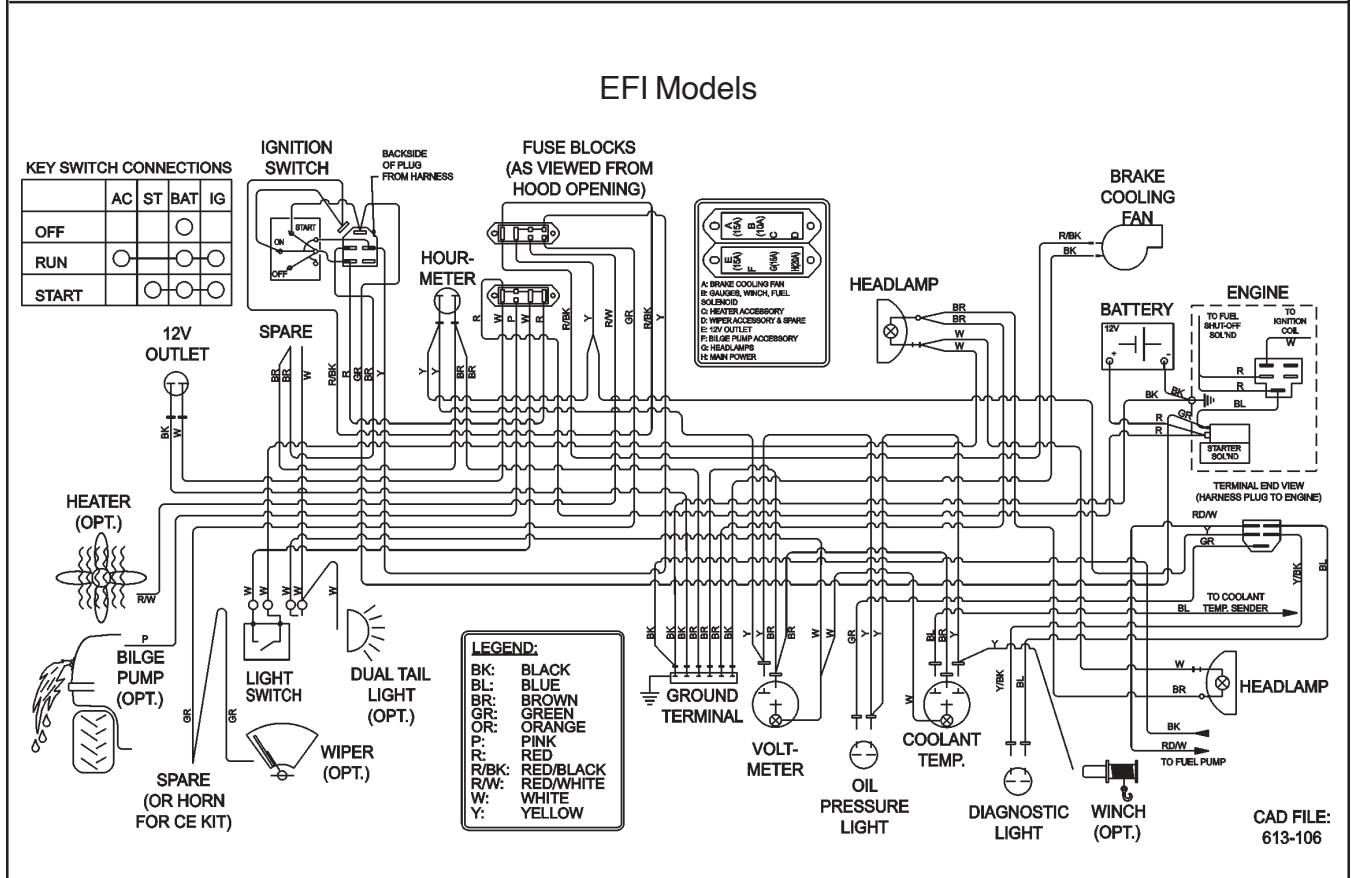
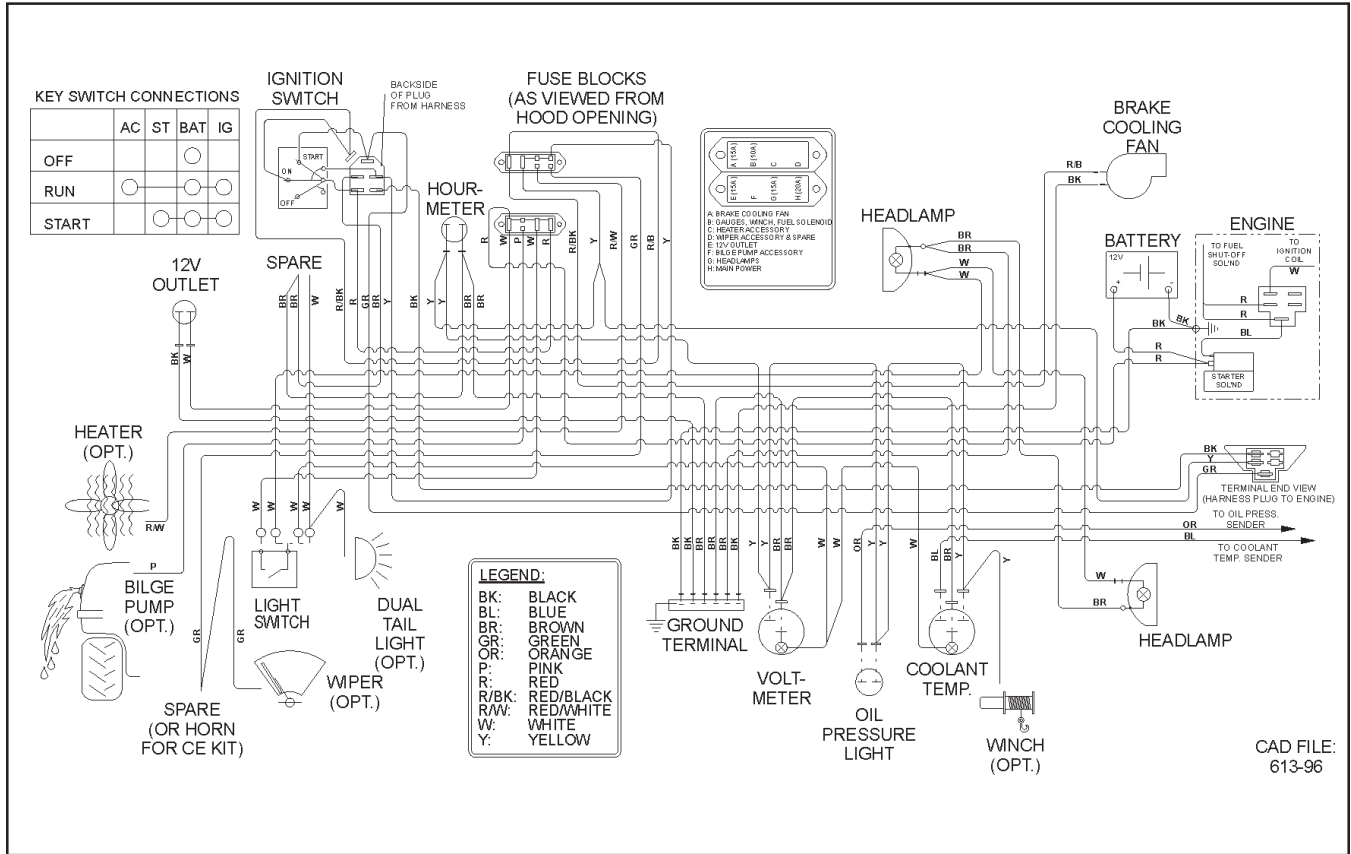
Ref.	Qty.	Part #	Description
1	8	108-03	Lockwasher 1/4 Split Ring Zn
2	1	608-61	Frame Assembly, Seat
3	4	112-04	HHCS 1/4-20x3/4 Gr2 Zn
4	1	608-86	Pick-up, Fuel, 1/4"x 6.75" (Return Tube)
5	1	608-59	Neck Assembly, Vented Filler
6	1	608-76	Frame Assembly, Backrest
7	1	608-39	Back pad Assembly
8	1	608-91	Tank, Fuel - Avg
9	2	103-77	HHCS, 1/4-28 x 2.0
10	2	117-01	Locknut, Nylon 1/4-28 Zn
11	1	608-54	Toolbox
12	1	127-54	See Section 10.0 Electrical System
13	1	608-55	Cover, Battery
14	1	608-45	Seat Assembly, Bench
15	2	608-81	Hinge, Seat, Bolted
16	2	104-43	Pin, 3/16" x 1-1/8"
17	4	702-06	Foam Cushion
18	1	608-56	Strap, Battery
19	17	120-09	Rivet 3/16x1 - Black
20	4	112-79	Clamp, Hose, 1/2" - Black
21	1	608-69	Hose, Fuel 5/16" ID x 7.5' - Carb
22	8	120-04	Washer .19 x .50 x .08 Zn
23	2	100-12	Clamp, Gear 2.25" HF-36
24	1	125-94	Hose, Filler
25	10	112-07	RHMS 10-24 x 1.50 Zn
26	1	126-46	Cap, Fuel
27	1	127-21	Hose, Vent - 109"
28	1	126-50	Male Connector, 1/4"
29	6	126-94	Clamp, Nylon Wire - 1/4" ID
30	10	108-42	Washer .21 x 1.0x.06 Zn
31	14	117-10	Locknut, Nylon #10-24 Zn
32	1	117-54	Nut, Locking PAL 1/2-20 Zn
33	7	126-93	Clamp, Nylon Wire - 1/2" ID
34	2	120-15	Rivet, 1/8 x 7/16
35	1	126-11	Spring
36	2	112-41	PHMS, Phil 1/4-20 x 1.25 Zn
37	4	103-03	PHMS, Phil 1/4-20 x 1.50 Zn
38	2	117-64	Insert, 1/4-20 Steel Cad Pltg.
39	4	120-13	Rivet, 3/16 x 5/8 Black
40	1	808-123	Plug, Nylon, 1/4 - NPT
41	7	100-101	Clamp, Gear 1/2" HF or MH-4
42	4	120-31	Rivet, 3/16" x 1/4, Open End
43	1	24 393 20	Fuel Pump, EFI
44	1	608-71	Filter, Fuel, 5/16" ID
45	1	24 403 16	Regulator, Fuel Pressure
46	2	112-78	Clamp, Hose, 9/16
47	1	24 050 03	Filter, Fuel Line - EFI - c/w engine
48	4	103-47	HHCS, 10-24 x 1/2
49	4	120-05	Washer, .19 x .5 x .04
50	1	808-133	Reducer, 5/16" to 1/4" Barbed
51	2"	608-69RM	Hose, Fuel - 5/16" ID Carb
52	1	608-89	Pick-up, Fuel, 5/16 x 11.75"
53	1	608-90	Grommet, 5/16" Tube, 3/4" Hole
54	1	608-66	Hose, Fuel 1/4" ID, 80"

11.0 Electrical System

Avenger Parts Manual



Ref.	Qty.	Part #	Description	Ref.	Qty.	Part #	Description
1	1	613-90	Outlet, 12 Volt DC	21	1	613-46	Insulator, Terminal (2 ga.)
2	2	126-76	Knob, Light - Black	22	1	613-94	Wire, Positive Battery
3	2	108-55	Lockwasher 7/16 Ext. Tooth Zn	23	1	613-95	Wire, Negative Battery
4	2	100-62	Switch, Light	24	1	681-00	FOB, Key - Floating
5	2	127-108	Key, Molded	25	2	127-56	Terminal, Battery Post
6	1	127-107	Bezel - Cover, Nut	26	2	127-46	Bulb, Headlight - Halogen 37W
7	1	127-106	Nut, Flanged - Plastic	27	2	112-51	Screw, IHWH T/C #10-24 x 5/8
8	1	127-105	Switch - Ignition	28	4	117-10	Locknut, Nylon #10-24 Zn
9	1	632-15	Hourmeter #85005C-22	29	1	118-52	Fuse, 10A 2 Prong (AT010)
10	2	634-10	Light Kit, #06215-00 5/8" Dia.	30	3	118-49	Fuse, 15A 2 Prong (AT015)
11	3	118-02	Terminal, Male #76-1251	31	1	118-53	Fuse, 20A 2 Prong (AT020)
12	1	633-10	Voltmeter #07583-15 (#830EM)	32	9	118-62	Terminal - Fuse, single
13			See Section 4.0 Brush Guard Kit	33	1	118-63	Terminal - Fuse, triple
14	2	634-08	Light, Indicator	34	1	118-61	Terminal - Fuse, quad
15	1	634-23	Gauge, Water Temp. - Avenger	35	2	118-60	Block - Fuse, 8 position (4 fuse)
16	1	127-55	Cap, Battery Terminal - Red	36	2	613-93	Bezel, Headlamp - Avenger
17	1	127-54	Battery, Exide 45-60	37	1	127-143	Label, Fuse Panel - B&S
18	2	613-92	Headlamp Ass'y - Oval w/Bezel (incl. items 26 & 36)	38	1	613-99	Light, Shifter Illumination
19	2	613-37	Terminal Strip, Ground	39	2	118-69	Terminal, 3/16 Male Blade 22 Ga
20	1	613-96	Wire Harness, Kohler 25HP	40	2	112-139	OHPS T/S #4 x 5/8 Black Zn
20a	1	613-106	Wire Harness, Kohler 31HP EFI	41			See Section 4.0 Brush Guard Kit



***ARGO* Products Manufactured by:**

Ontario Drive & Gear Limited

220 Bergey Court
New Hamburg, Ontario
Canada N3A 2J5
Phone: (519) 662-2840
Fax: (519) 662-2421
www.argoatv.com

ODG *Dedicated to quality and performance*