

Argo 8x8
RESPONSE



ARGO

RESPONSE

PARTS MANUAL

From Serial # ...23216

Foreword

ODG has prepared this parts manual for the RESPONSE model to assist both qualified mechanics and vehicle owners in ordering correct, quality replacement ARGO parts.

Proper and regular service, and replacing old, worn or broken parts with the correct ARGO replacement parts, are both essential to prolonging the life of the ARGO. Please refer to this parts manual before ordering any replacement part.

All information contained in this RESPONSE Parts Manual is based on the latest product specification available at time of printing. If your RESPONSE differs from the specifications contained in this manual, contact Ontario Drive & Gear Limited for information.

ODG reserves the right to alter specifications on the RESPONSE model at any time, without obligation or prior notification.

Reproduction of this RESPONSE Parts Manual, in whole or in part, is prohibited without prior written permission from Ontario Drive & Gear Limited.

Vehicle Identification

RESPONSE - Serial Nos. R23216

Explanation of Parts Manual Format

- Ref** - Reference number between assembly diagram and component parts list
- Part No.** - Argo replacement part number for identification and re-ordering
- Description** - Part description for identification and re-ordering
- Qty** - Indicates the quantity of a part used in an Assembly

Argo 8x8 RESPONSE

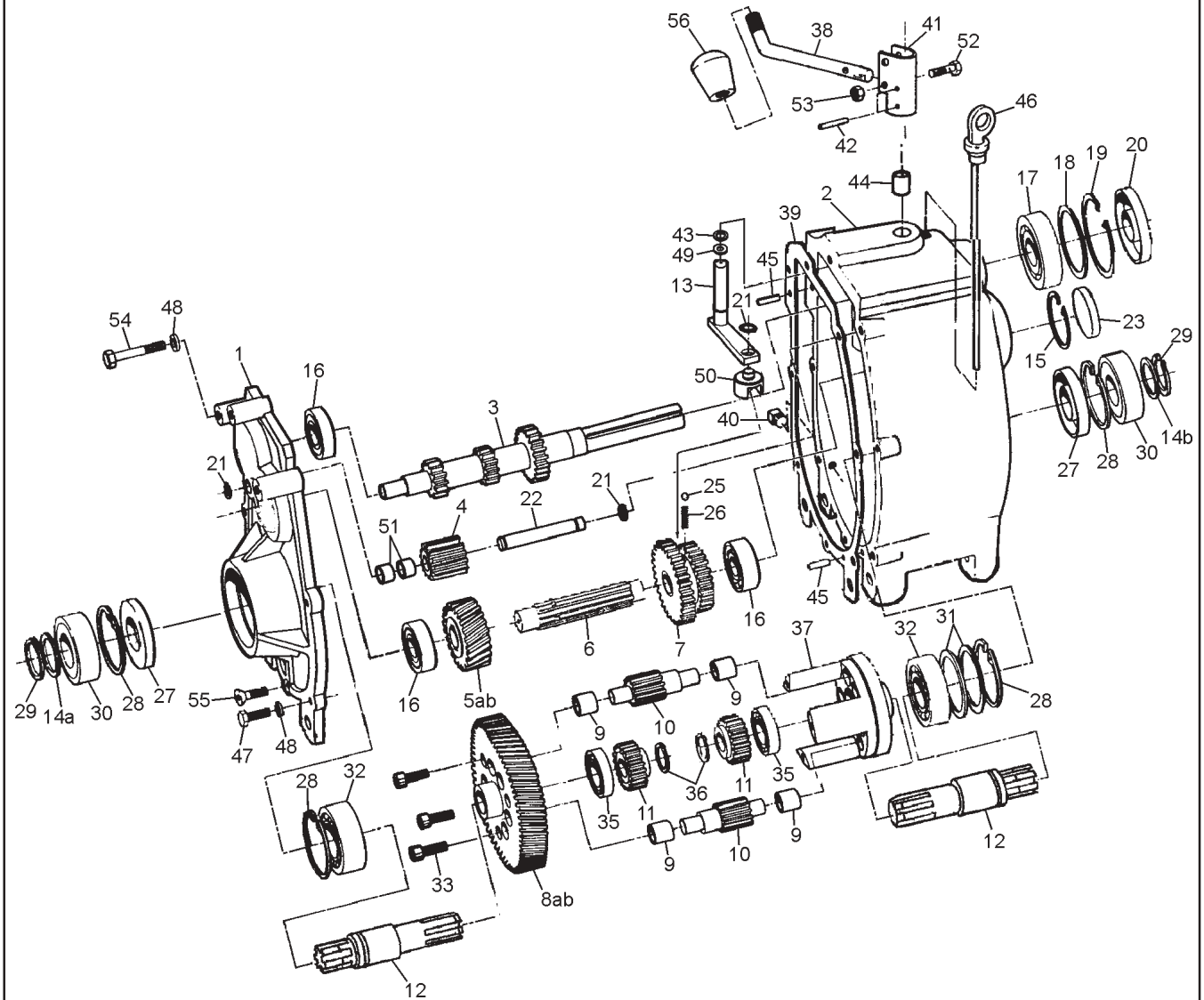


Using the Parts Manual

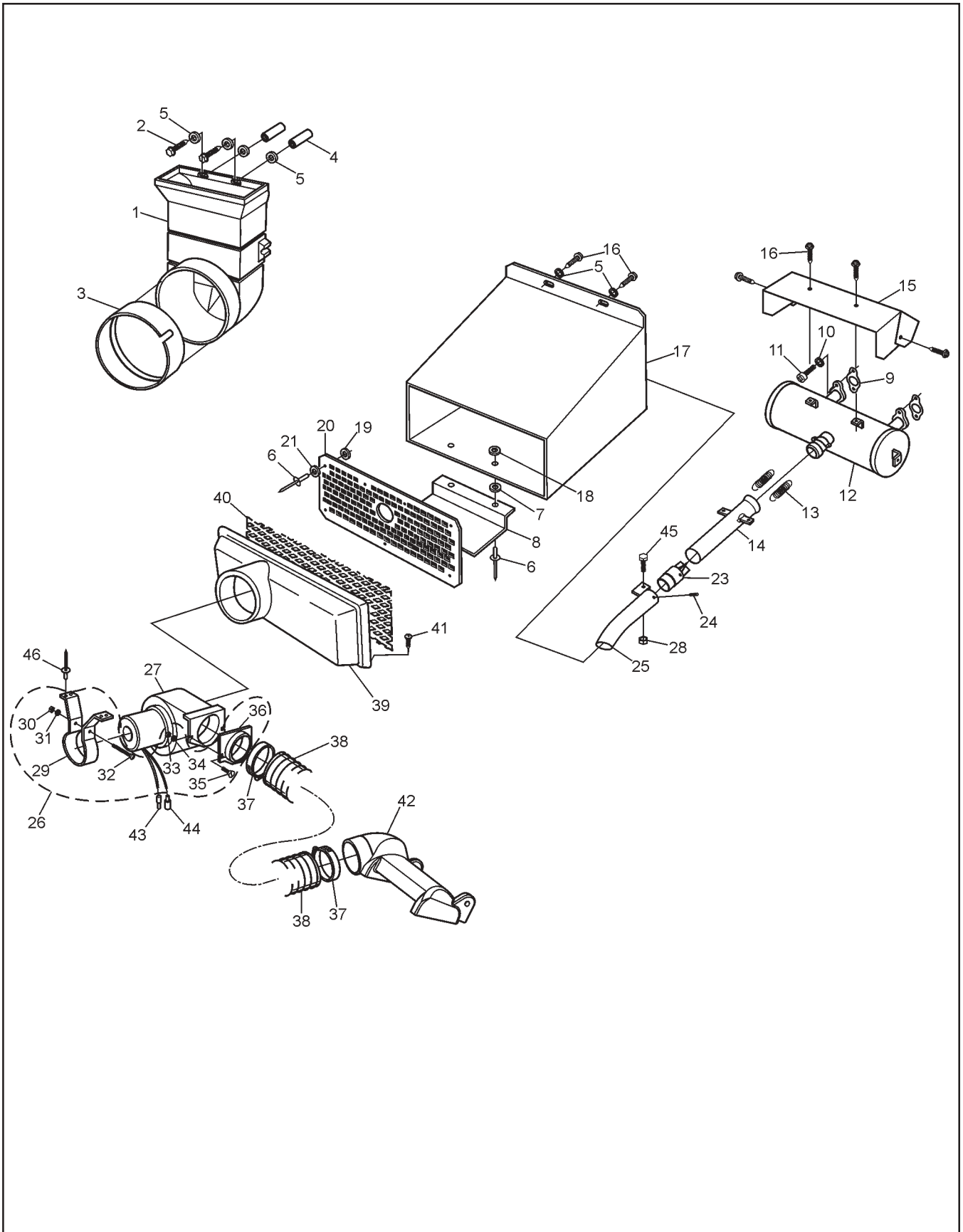
1. Find the major vehicle assembly in the Table of Contents on this page, and turn to that section.
2. Locate the part in the illustration that you wish to order.
3. Refer to the parts list in that section.
4. Find the correct part number (Part No.), part description (Description) and correct quantity (Qty).
5. Use *only* this information to order ARGO replacement parts. *DO NOT* attempt to order a replacement part by reference number or page number.

Table of Contents

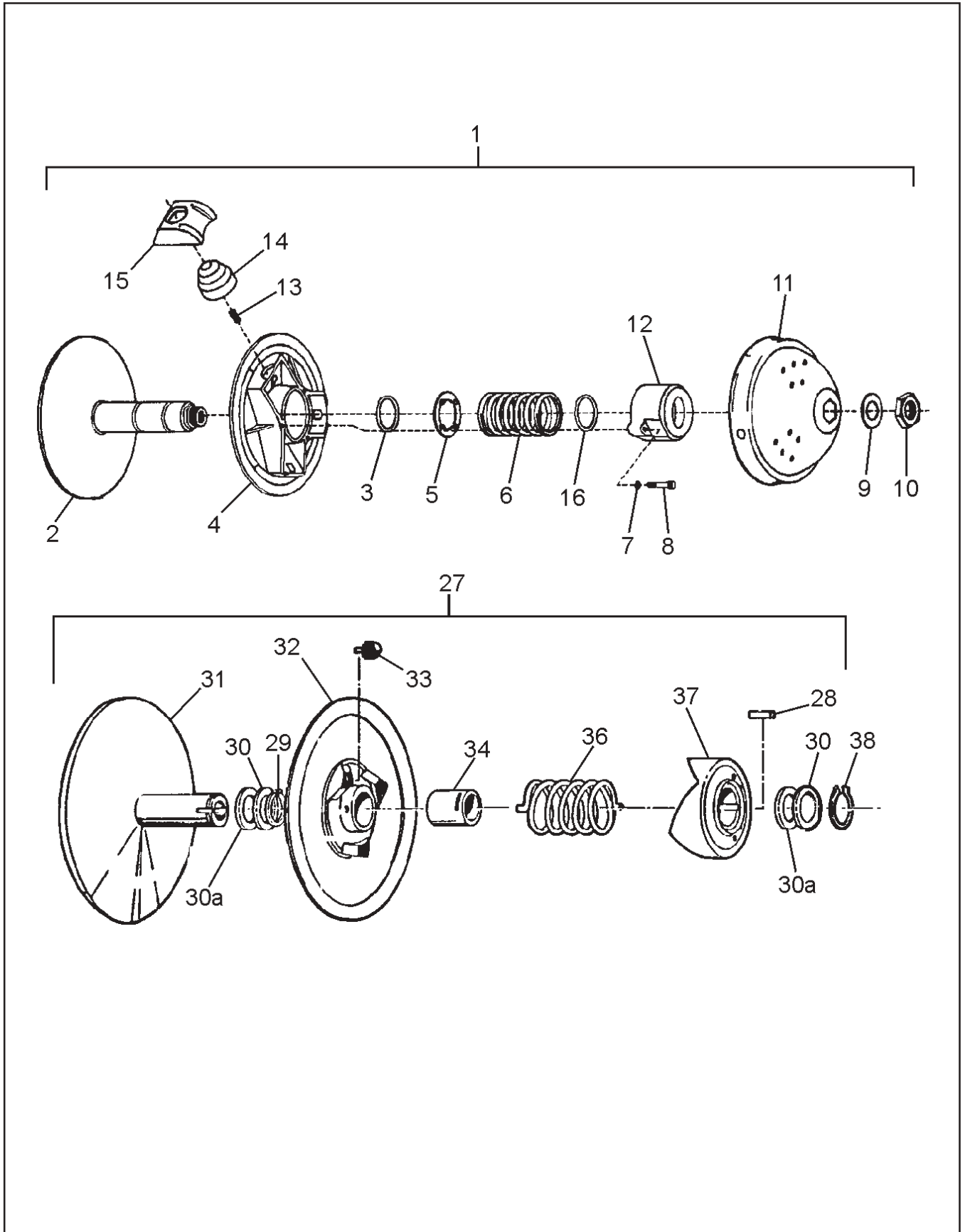
Foreword	i
Model Identification	i
Using the Parts Manual	ii
1.0 Transmission	1
2.0 Intake and Exhaust System	3
3.0 Clutch System	5
4.0 Power Pack Assembly	7
5.0 Steering & Brake System	9
6.0 CE Kit - 848-65	11
7.0 Vehicle Body & Firewall	13
8.0 Frame & Drive System	15
9.0 Fuel System & Seat Assembly	17
10.0 Electrical System	19



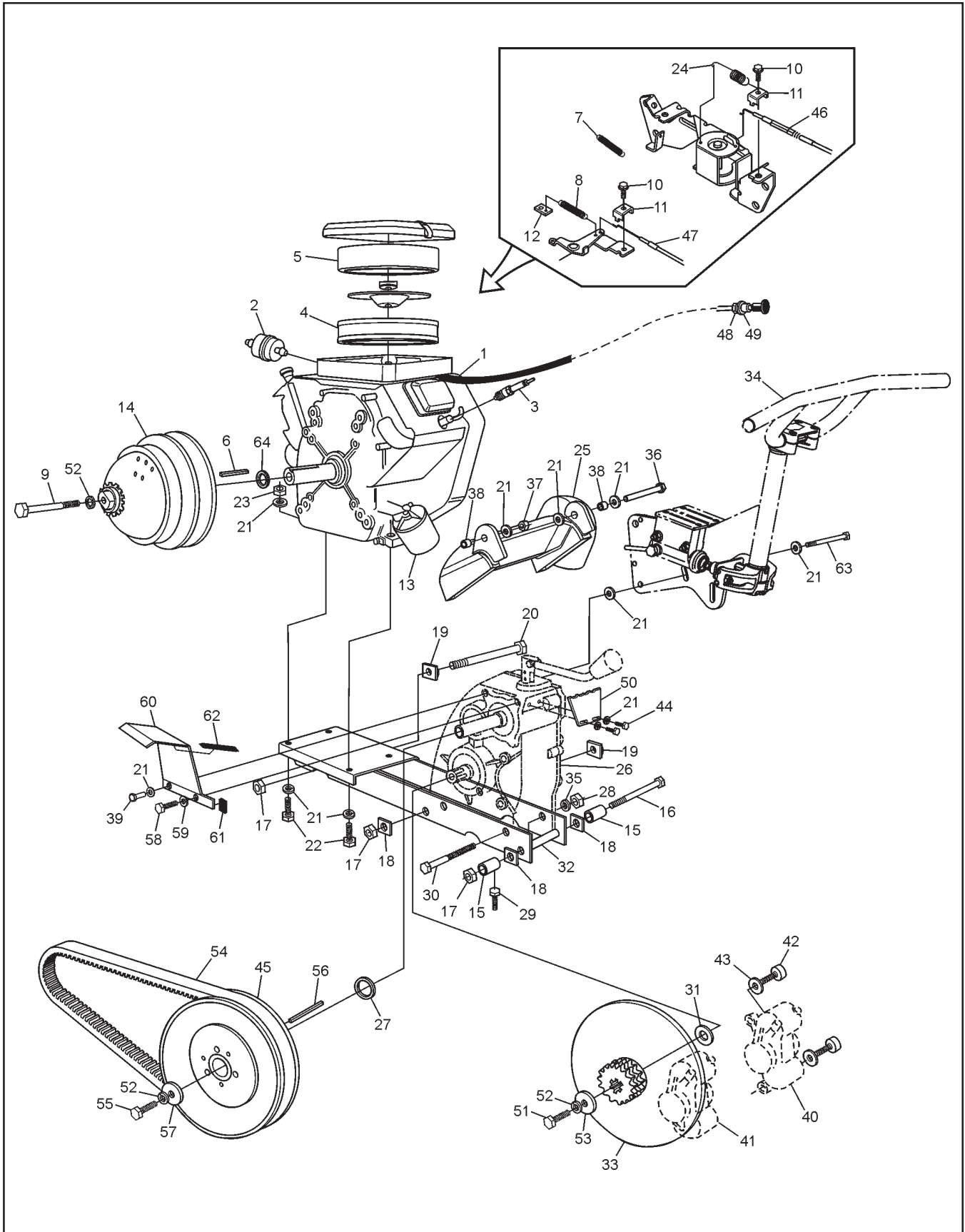
Ref.	Qty.	Part #	Description
.	1	610-18MP	Transmission Asm - H,does not include Refs 38, 52, 53 & 56
1	1	34-68	Cover, Transmission
2	1	34-99	Housing, Transmission
3	1	34-21	Shaft, Input - 13/21T
4	1	34-16A	Gear, Idler 13T (incl. Ref. 51)
5a	1	34-96	Gear, Helical - 26T (H)
5b	1	34-95	Gear, Helical - 24T (M)
6	1	34-94	Shaft, Spline
7	1	34-91	Gear, Double - 26/33T
8a	1	34-43	Gear Plate - 71T (H)
8b	1	34-22	Gear Plate - 73T (M)
9	12	105-03	Bushing, Oilite 1/2 x 3/4
10	6	34-13	Gear, Planet - 12T
11	2	34-14	Gear, Sun - 21T
12	2	34-98	Shaft, Output
13	1	34-65	Shifter Asm
14a	1	114-04	Washer, Shim .040 Thk
14b	1	114-05	Washer, Shim .020 Thk
15	1	106-01	Retaining Ring
16	3	101-01	Bearing, Ball 6204Z-C3
17	1	101-16	Bearing, Ball 6206-C3
18	as req.	114-02	Washer, Shim 2.06x2.42x.02
19	1	106-05	Retaining Ring
20	1	102-05	Seal, Oil WBS 30x62x10
21	3	107-05	Retaining Ring
22	1	34-11	Pin, Dowel 1/2 x 3.50
23	1	31-07	Plug Plate
25	1	109-05	Ball, Steel 6mm 62-67 Rc
26	1	34-32	Spring, Compression - 7/32 x 0.50
27	2	102-03	Seal, Oil WBS 30x72x10
28	4	106-03	Retaining Ring
29	2	107-02	Retaining Ring
30	2	101-05	Bearing, Ball 6306-2NSE C3
31	2	114-01	Washer, Shim 2.25x2.81x.02
32	2	101-03	Bearing, Ball 6207-C3
33	3	103-04	SHCS 5/16-18 x 1.0 Bare
35	2	101-15	Bearing, Ball 6005-C3
36	2	107-04	Retaining Ring
37	1	34-08	Cage
38	1	610-77	Lever, Shift
39	1	34-47	Gasket, Cover - 1/64" Thk
40	1	103-02	Plug, Magnetic 3/8 - 18 NPT Sq. Hd.
41	1	34-86	Holder, Shift Lever
42	2	111-01	Pin, Spring 5/32 x 1.00 - Slotted
43	1	113-01	O-Ring
44	1	105-02	Bushing, Oilite 1/2x 1.0
45	2	104-03	Pin, Dowel 1/4 x 7/8" long
46	1	34-77	Dipstick - with Breather
47	4	103-06	HHCS 5/16-18x1.0 GR5 Zn
48	7	108-05	Lockwasher 5/16 Zinc
49	1	108-74	Washer .64 x .875 x .10 Zn
50	1	34-63	Shift Yoke
51	2	101-79	Bearing, Drawn Cup Needle
52	1	103-97	HHCS 1/4-20x1.25 GR5 Zn
53	1	117-27	Locknut, Nylon 1/4-20 Zn
54			See Section 4.0 Power Pack Assembly
55	1	103-95	FHSC 5/16-18x1.0 GR8 Zn
56	1	126-38	Knob, Shift



Ref.	Qty.	Part #	Description
1	1	603-81	Duct, Intake
2	2	112-48	Screw, T/S HH#14x2.25 Zn
3	1	603-82	Seal
4	2	120-29	Spacer, .26 ID x 1.12 LG
5	6	108-08	Washer, .28 x .62 x .04 Zn
6	2	120-13	Rivet 3/16 x 5/8 - Black
7	2	125-58	Washer, Fibre - W-77F
8	1	707-28	Support, Exhaust Duct
9	2	805024	Gasket
10	4	108-02	Lockwasher 5/16 Hi-Collar Bare
11	4	112-30	SHCS M8x1,25x20mm Zn
12	1	807-90	Muffler, B&S V-Twin Weld Ass'y
13	2	126-57	Spring, Extension- 7/16x2.14
14	1	807-92	Pipe, Mufflertail - B&S
15	1	807-85	Shield, Muffler Heat
16	6	112-19	Screw, IHWH T/C Slot 1/4-20x1/2
17	1	707-32	Duct, Exhaust
18	2	120-04	Washer .19x.50x.08 Zn
19	7	120-05	Washer .19x.50x.04 Zn
20	1	707-31P	Screen, Exhaust
21	7	125-59	Washer, Fibre -.062x.25x.50
23	1	807-67	Spark Arrester
24	1	112-43	Screw, IHWH #8x3/8
25	1	807-89	Tube, Tailpipe Outlet
26	1	125-92	Adpt. & Mounting Kit - Fan (incl. Refs 29 to 36)
27	1	125-91	Blower Fan
28	1	117-81	Locknut, 2-way 1/4-20 Zn
29	1		Mounting Bracket
30	1		Nut, #10-32
31	1	See	Lockwasher, 3/16"
32	1	125-92	Screw, #10-32 x 2"
33	4	Above	Nut, 1/4-20
34	4		Lockwasher, 1/4"
35	4		Screw, 1/4-20 x 5/8"
36	1		Adaptor, 3" Dia.
37	2	125-35	Clamp, Gear 3.50" HF-52
38	1	127-44	Hose, Intake 3" dia. x 46"
39	1	601-89	Intake Flange (specify colour)
40	1	126-61	Intake Screen
41	4	112-56	Pan HD Phil T/S #10x3/4 A Zn
42	1	128-01	Duct, Brake Cooling
43	1	118-02	Terminal, Male #76-1251
44	1	118-03	Terminal, Female#76-1289
45	1	112-04	HHCS, 1/4-20 x 3/4 Gr2 Zn
46	4	120-09	Rivet 3/16 x 5/8 - Black



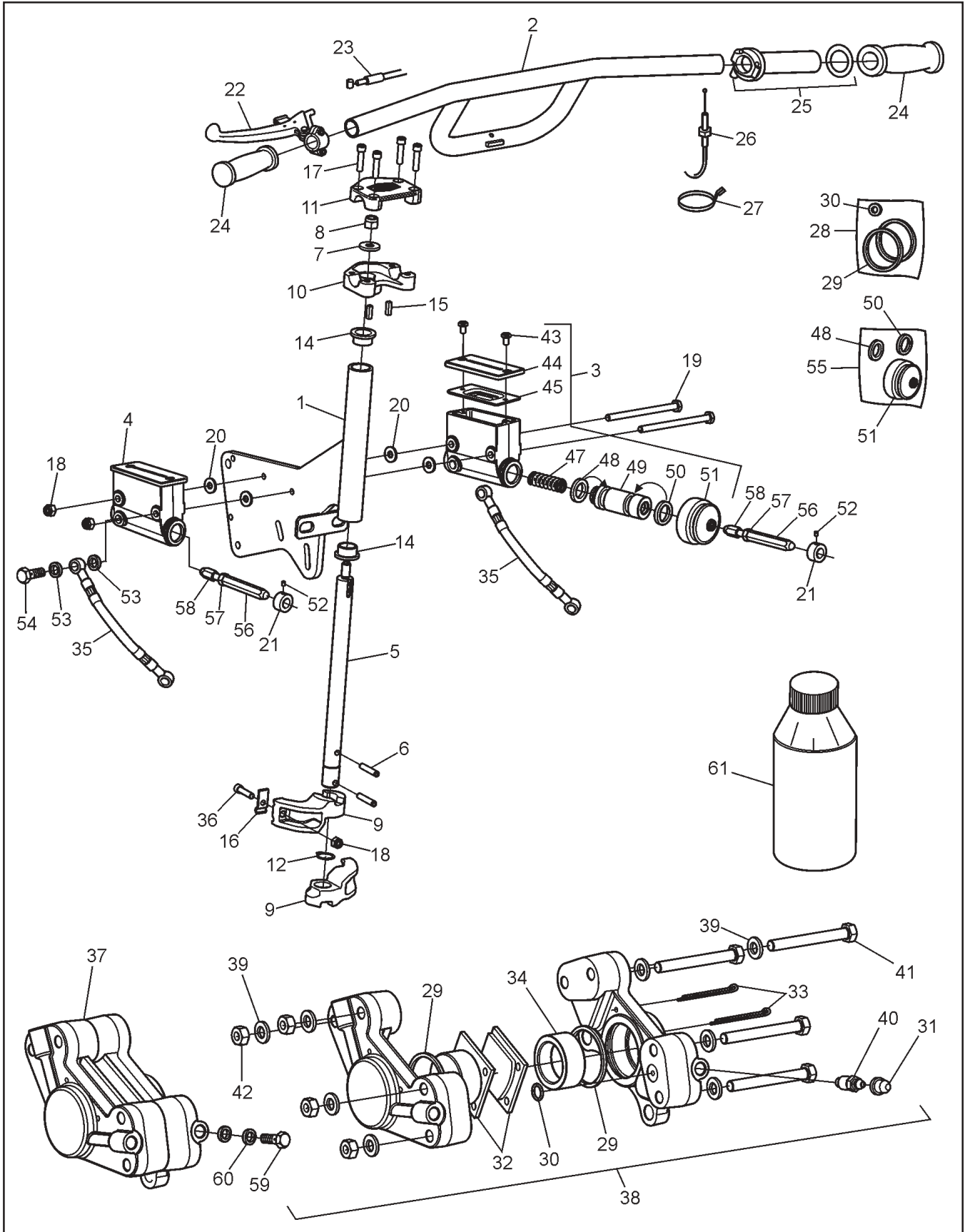
Ref.	Qty.	Part #	Description
1	1	127-73	Clutch, Driver, keyed incl. Refs 2-15, 0040-0030
2	1	0405-0043	Pulley, Fixed half
3	1	V08	Ring, Retaining D1400-350
4	1	0410-0007	Pulley, Sliding half
5	1	V09	Washer, Spring Guide
6	1	V10-48-103-18	Spring
7	3	420-2453-700	Washer, Lock
8	3	222-9640-66	SHCS
9	1	0080-0153	Washer
10	1	0080-0100	Nut
11	1	0115-0003(A)	Cap
12	1	0440-0001	Cover, Spring
13	3	C24-L1	Spring, Anti-Noise
14	3	C13-225	Slug, Lead 225 g
15	3	0130-3002	Block, Red
16	1	V08C	Spring Ring
27	1	127-129	Clutch, Driven - Model "B" incl. Refs 28-37 SODB0001
28	1	ASK-5	Key 1/4 x 1/4 x 5/8
29	2	ASR-6	Retaining Ring N1400-150A
30	as req	ASA-1-S	Spacer .025" Thick
30a	as req	ASA-1	Spacer .050" Thick
31	1	AFK25.4-250OD01	Pulley, Half - Fixed
32	1	5110-0021	Pulley, Half - Sliding incl. Refs. 33, 34
33	3	ANS-2-T	Shoe, Cam
34	1	5040-3003	Bushing, Super Oilite
36	1	ACS-3-188	Spring, Blue
37	1	AFC-4-C3D4	Cam
38	1	371-9031-000	Retaining Ring



Response Parts Manual

4.0 Power Pack Assembly

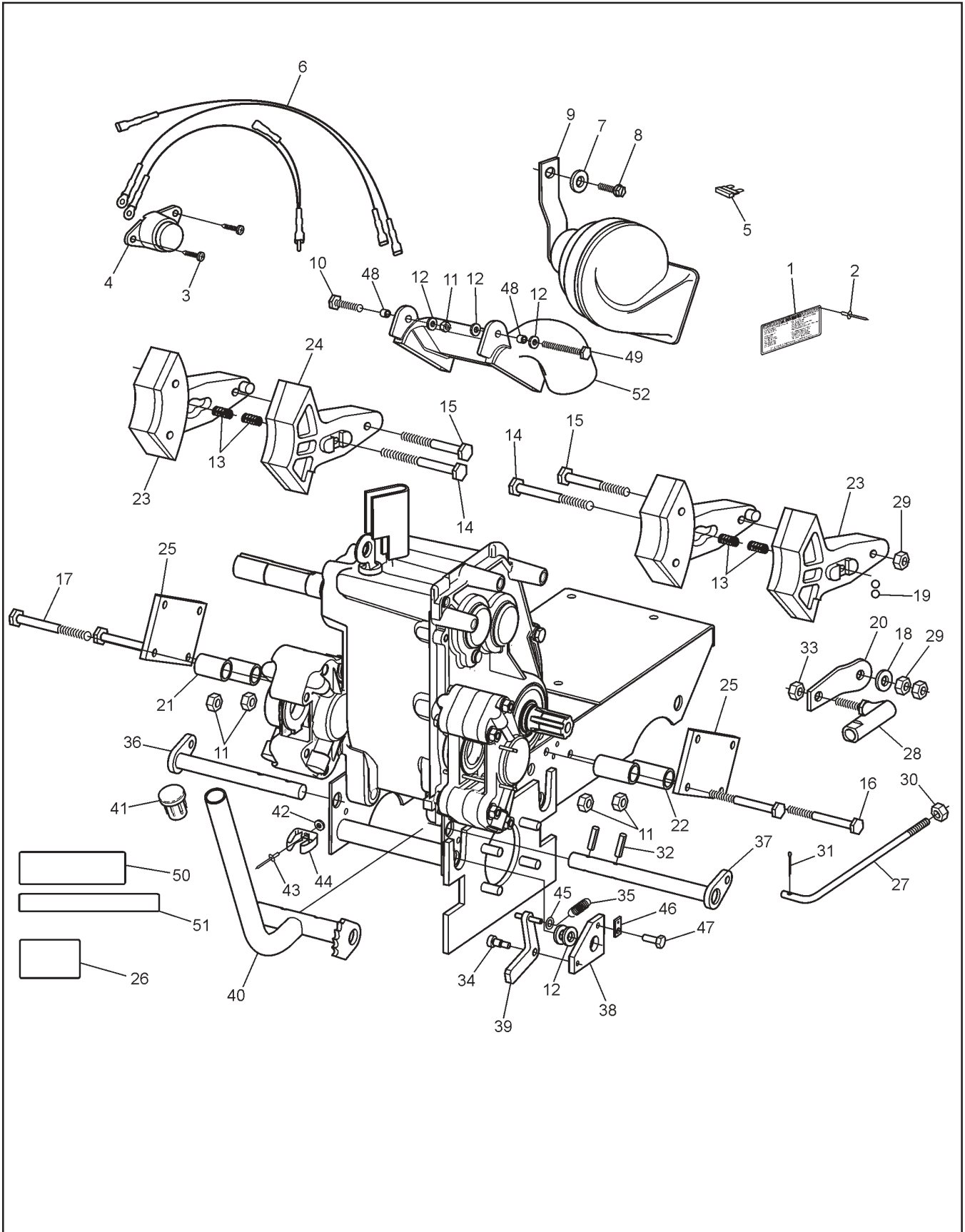
Ref.	Qty.	Part #	Description	Ref.	Qty.	Part #	Description
1	1	127-53	Engine-Vanguard 18HP incl Refs 2-12, 13 B&S #3504471282E1,24	38	2	108-71	Spacer, 5/16 ID x 7/16 OD x 13/32 Lg
2	1	125-64	Fuel Filter, G81-4	39	1	103-06	HHCS 5/16-18 x 1.0 Gr5 Zn
3	2	126-74	Spark Plug #3926	40to41			See Section 5.0 Steering & Brake System
4	1	394018	Filter, Air	42	4	103-41	SHCS 3/8-16 x 1.25 Zn
5	1	272490	Element, Foam	43	4	108-23	Washer 3/8 SAE Gr8 - Dich.
6	1	110-03	Key 1/4x3/16x2.375 RC46	44	2	112-01	HHCS 5/16-8x3/4 Gr5 Zn
7	1	805458	Spring	45			See Section 3.0 Clutch System
8	1	125-88	Spring, Return	46	1	612-101	Cable Asm, Throttle
9	1	112-28	HHCS 3/8-24x4.5 Gr5 Zn	47	1	612-92	Cable Asm, Choke
10	1	805169	Screw-Hex Head (Briggs #)	48	2	117-68	Nut, Jam 3/8-24 UNF Zn
11	1	221535	Clamp - Casing (Briggs #)	49	1	108-32	Lockwasher 3/8 Int. Tooth
12	1	601-86	Clip, Retainer	50	1	610-81	Shift Gate, Transmission
13	1	126-95	Filter, Oil	51	2	103-18	HHCS 3/8-24x1.25 Gr5 Zn
14			See Section 3.0 Clutch System	52	4	108-06	Lockwasher 3/8 S/R Zn
15	2	811-14	Spacer	53	2	108-18	Washer 13/32x1.375x11GA
16	1	112-57	HHCS 5/8-11x10.0 Gr5 Zn	54	1	125-56	Drive Belt
17	3	117-83	Locknut, Stover 5/8-11 Zn	55	1	103-34	HHCS 3/8-16x1.25 Gr5 Zn
18	3	811-09	Washer, Square Lock .64 ID	56	1	110-09	Key 1/4 x 1/4 x 3.0
19	2	811-15	Washer, Square Lock .64 ID	57	1	108-46	Washer .40 x 1.37 x .12 Hi- Carbon
20	2	112-58	HHCS 5/8-11x7.5 Gr5 Zn	58	2	103-17	HHCS 3/8-16x1.0 Gr5 Zn
21	16	108-24	Washer .34 x .70 x .06 Zn	59	2	108-26	Washer 3/8 Zn
22	4	112-27	HHCS 5/16-18x1.75 Gr5 Zn	60	1	603-29	Guard, Belt Protect
23	4	117-21	Locknut, Nylon 5/16-18 Zn	61	1	601-92	Trim, Vinyl - 1.5"
24	1	127-49	Spring, Return	62	1	601-93	Trim, Vinyl - 4.25"
25	1	128-01	See Section 2.0 Intake & Exhaust System	63	2	103-55	HHCS 5/16-18x2.75 Gr5 Zn
26			See Section 1.0 Transmission	64	1	114-04	Washer, Shim 1.19 x 1.50 x .04
27	as req	108-36	Washer .06x1.00x1.375 Zn				
28	2	117-06	Nut, Fin Hex 1/2-13 Zn				
29	2	103-53	HHCS 3/8-16x3.0 Full Thread				
30	2	103-20	HHCS 1/2-13x6.5 Gr5 Zn				
31	as req	108-75	Washer, Shim 1" id x .5 x .010 - right hand disc only				
32	1	611-71	Frame, Power Pack				
33	2	610-80	Brake Disc - #50-2 x 13T				
34			See Section 5.0 Steering & Brake System				
35	2	108-07	Lockwasher 1/2 Split Ring, Zn				
36	1	112-132	HHCS 5/16-18 x 3.25 Gr5 Zn				
37	1	117-21	Locknut, Nylon 5/16-18 Zn				



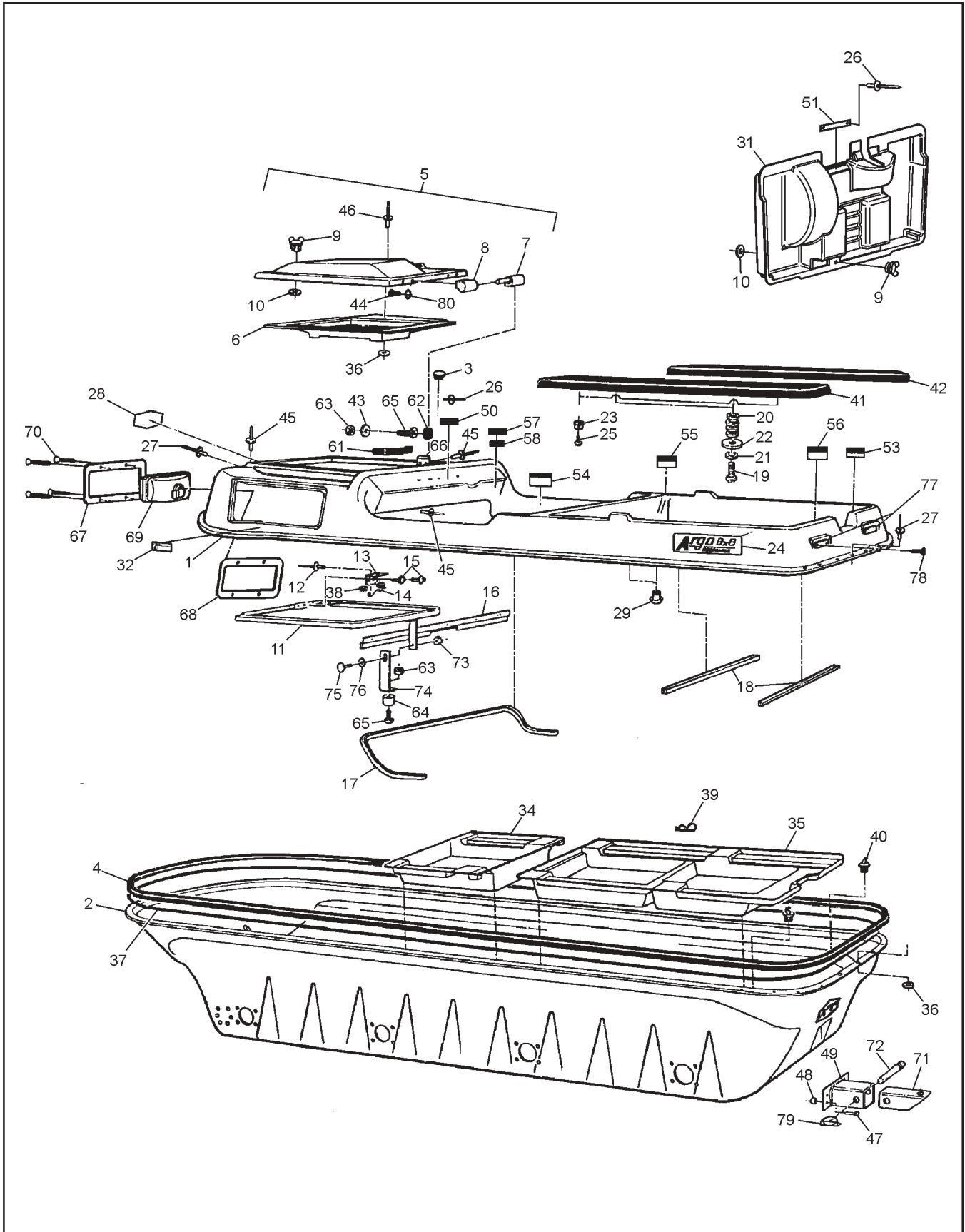
Response Parts Manual

5.0 Steering & Brake System

Ref.	Qty.	Part #	Description	Ref.	Qty.	Part #	Description
1	1	612-117	Frame Assembly, Steering Column	39	2x8	108-24	Washer, .34x.70x.06 Zn
2	1	612-107	Handlebar Assembly	40	2x1	168-02	Screw, Bleeding, Knott Caliper
3	1	165-08	Master Cylinder, Grimeca - R	41	2x4	112-154	SHCS 5/16-18 x 2.75 Zn
4	1	165-07	Master Cylinder, Grimeca - L	42	2x4	117-03	Nut, Fin Hex 5/16-18 Zn
5	1	612-127	Shaft, Steering - Argo	43	2x2	160-42	FHMS M5 x 0,8 x 6mm
6	2	104-07	Pin, Spring 1/4 x 1.25	44	2x1	168-08	Cover
7	1	108-47	Washer, .39 x .94 x .13 Zn Di-chr	45	2x1	168-09	Cover, Rubber
8	1	117-29	Locknut, Nylon 3/8-16 Zn	47	2x1	162-08	Spring, Comp. 17.3 x 49.3mm
9	2	612-124	Arm, Steering	48	2x1		Seal, Primary, 19mm (See Ref. 55)
10	1	612-106	Clamp, Lower Handlebar	49	2x1	168-10	Piston 19mm dia.
11	1	612-105	Clamp, Upper Handlebar	50	2x1		Seal, Secondary, 19mm (See Ref. 55)
12	1	106-07	Ring, Retaining SH-0075PA	51	2x1		Boot, Rubber (See Ref. 55)
14	2	105-16	Bushing, Oilite - 3/4 x 1/2	52	2	112-02	SHSS 10-24x1/4 Knurl Cup PT, PL
15	2	110-17	Key, 3/16 x 3/16 x .625	53	2x2	160-01	Washer, Copper 2.3 x 10.0 x 16.0
16	2	128-10	Retainer, Handbrake Cable	54	2x1	160-44	Bolt, Banjo M10 x 1,0 x 21,0 Zn
17	4	112-47	SHCS, 1/4-20 x 1.0 Zn	55	2x1	161-25	O-Ring Kit, Master Cylinder - Grimeca (incl. Ref. 48, 50 & 51)
18	4	117-27	Locknut, Nylon 1/4-20 Zn	56	2	812-30	Pin, Female
19	2	103-66	HHCS, 1/4-20 x 4.0 Gr5 Zn	57	2	117-03	Nut, Fin Hex 1/4-20 Zn
20	4	108-08	Washer, .28 x .62 x .04 Zn	58	2	812-31	Fin, Male
21	2	812-17	Collar	59	2	160-45	Bolt, Banjo
22	1	128-17	Lever Assembly, Handbrake, Spring	60	4	160-04	Washer, Copper - 2,3 x 10,0 x 16,0
23	1	128-09	Cable Assembly, Handbrake	61		126-19	Fluid, Brake-Silicon Dot 5 - .35L
24	2	127-35	Grip, Molded				
25	1	127-81	Throttle Twist Grip				
26	1	612-101	Cable Asm., Throttle				
27	1	100-64	Tie Wrap - 5.5" - Black				
28	2	161-05	O-Ring Kit, Knott Caliper				
29	2		Seal, Piston				
30	2		Seal, Rubber				
31	2x1	168-20	Plug, Rubber				
32	1	170-03	Pad Set (4), Brake - Non-Asbestos				
33	2x2	168-07	Pin, Cotter 1/8 x 3.00 Zn				
34	2x2	168-01	Piston, Knott Caliper				
35	2x1	163-01	Hose Asm, Hydraulic-310mm				
36	2	112-159	BHCS, 1/4-20 x 1.0, Plated				
37	1	166-10	Caliper, Hydraulic Brake - L, w/o pads				
38	1	166-11	Caliper, Hydraulic Brake - R, w/o pads				



Ref.	Qty.	Part #	Description
1	1	127-76	Plate, Capacity-Land/Water
2	4	120-24	Rivet, Alum. 3/32x3/8
3	2	112-56	T/S Pan HD Phil #10x3/4 A Zn
4	1	848-86	Button, Horn
5	1	118-52	Fuse, 10A 2-Prong (ATO10)
6	1	848-88	Wire Harness, Horn
7	1	108-08	Washer .28x.62x.04 Zn
8	1	112-19	Screw, IHWH T/C Slot 1/4-20x1/2
9	1	848-87	Horn, Electric
10	1	103-06	HHCS 5/16-18x1.0 Gr5 Zn
11	5	117-21	Locknut, Nylon 5/16-18 Zn
12	6	108-24	Washer .34x.70x.06 Zn
13	4	100-10	Spring, Comp. 0.53x0.88
14	2	103-16	HHCS 5/16-24x3.75 Gr8 Zn
15	2	103-29	HHCS 5/16-24x2.75 Gr8 Zn
16	2	103-55	HHCS 5/16-18x2.75 Gr5 Zn
17	2	103-84	HHCS 5/16-18x2.25 Gr5 Zn
18	2	108-12	Washer .34x1.00x.06 Zn
19	4	109-02	Ball, Steel 1/4 Chrome steel
20	2	848-75	Cam, Parking Brake
21	2	848-77	Spacer, Left
22	2	848-78	Spacer, Right
23	3	848-79	Caliper, Parking Brake
24	1	848-80	Caliper, Parking Brake - Notch
25	2	848-82	Bracket, Caliper
26	1	848-89	Shim
27	2	848-93	Rod
28	2	848-76	Ball Joint, 5/16-24
29	8	117-46	Locknut, 2-Way 5/16-24 Zn
30	2	117-17	Nut, Jam 5/16-24 Zn
31	2	100-03	Pin, Cotter 3/32x.750 Zn
32	4	111-07	Pin, Roll .250 DIA. x .88 Lg.
33	2	117-04	Locknut, Nylon 5/16-24 Zn
34	1	112-141	Screw, Shoulder 5/16 x 3/8 Lg.
35	1	125-88	Spring
36	1	848-92	Shaft ASM, Left
37	1	848-105	Shaft ASM, Right Brake
38	1	848-104	Plate, Mtg - Lock Lever
39	1	848-102	Lever Asm - Lock
40	1	848-100	Lever ASM, Parking Brake
41	1	639-25	Plug, End - Black
42	1	120-04	Washer .19x.50x.08 Zn
43	1	120-13	Rivet - 3/16x5/8 Black
44	1	848-81	Clip, Coated
45	1	106-21	Retaining Ring TY-18ST PD
46	1	601-86	Clip, Retainer
47	1	103-72	Screw, IHWH T/C Slot 1/4-20x3/4
48	2	108-71	Spacer 5/16 IDx7/16 ODx13/32 Lg.
49	1	112-132	HHCS 5/16-18x3.25 Gr5 Zn
50	1	127-130	Label Stock - 2.75" Wide
51	1	127-133	Plate, Serial Number - Blank - Must be stamped with vehicle serial # provided by owner
52	1	128-01	Duct, Brake Cooling

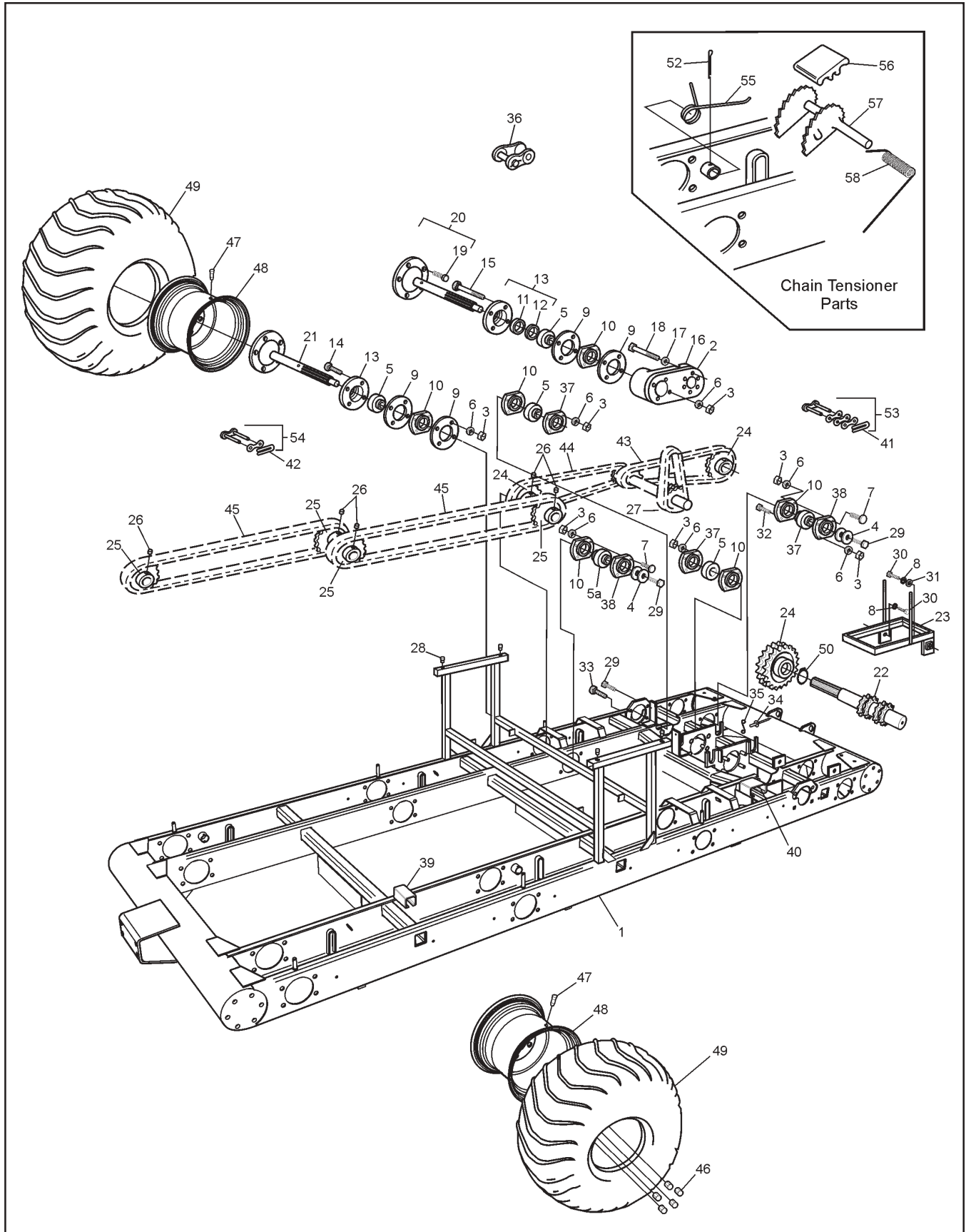


Response Parts Manual

7.0 Vehicle Body & Firewall

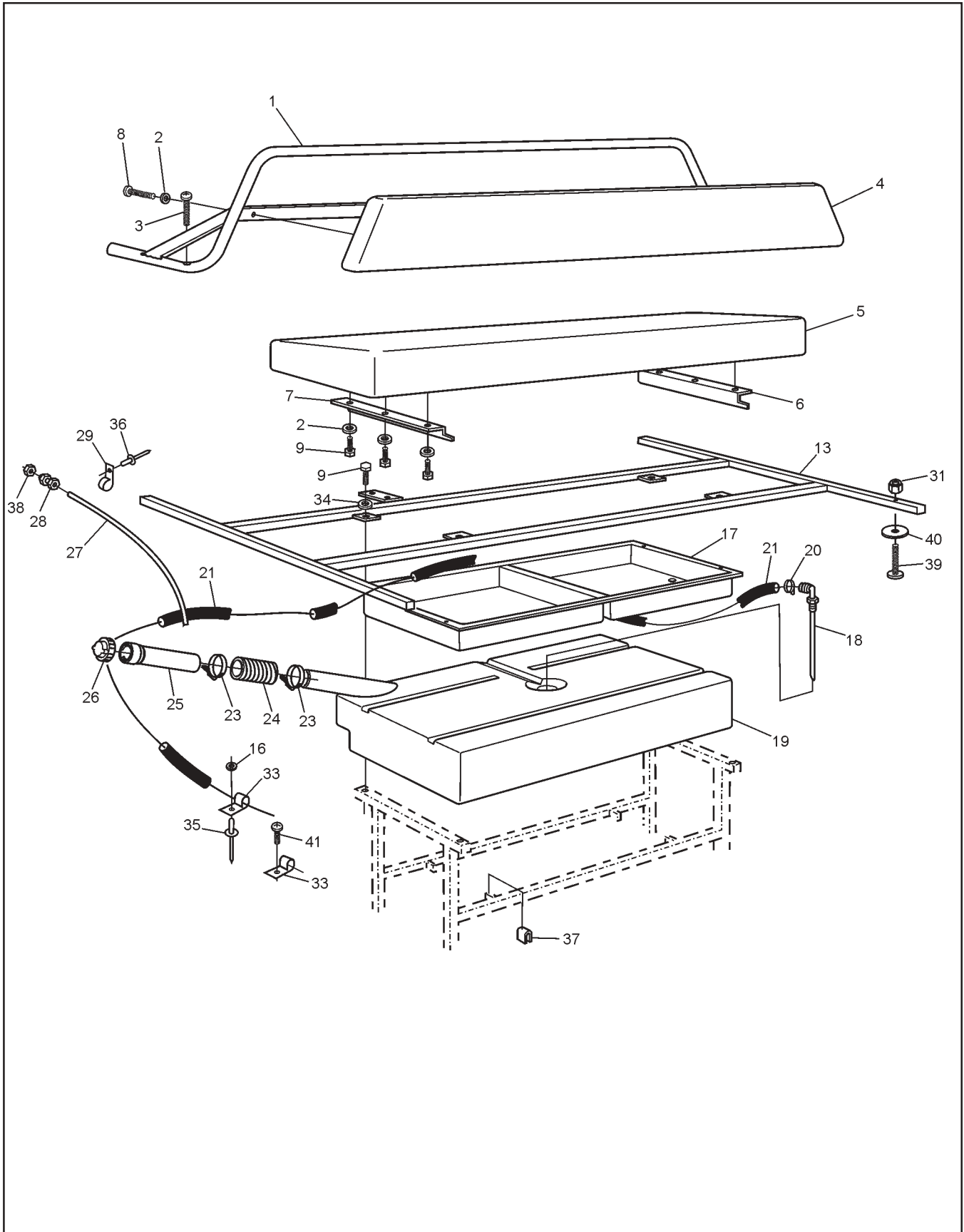
Ref.	Qty.	Part #	Description
1	1	801-44	Body & Hood, Upper-Response Replacement, specify colour (incl. Ref 5, 11 to 15 & 38)
2	1	801-45BL	Body, Lower - Response, Black
3	1	127-28	Plug, Nylon - Black
4	1	801-05	Bumper, Vinyl - 8x8
5	1	602-37	Hood Kit - Response, (specify colour) (incl. Ref 6 to 10,36,44, 46 and 83)
6	1	801-47	Duct, Intake Transition (specify colour)
7	2	127-45A	Pin, Hinge
8	2	127-45B	Knuckle, Hinge
9	2	126-10	Wing Stud
10	2	126-09	Grommet, Alum. #GH-7
11	1	602-24	Hood Frame Assembly
12	2	120-15	Rivet 1/8 x 7/16
13	1	601-69	Spring Plate
14	1	126-11	Spring
15	2	112-19	Screw, IHWH T/C Slot 1/4-20x 1/2
16	1	602-29	Brace, Dash
17	1	601-08	Vinyl Trim, 84"
18	2	601-09	Vinyl Trim, 28"
19	4	112-04	HHCS 1/4-20x3/4" Gr2 Zn
20	16	108-25	Washer 1/4 Zn
21	4	108-03	Lockwasher, 1/4 Split Ring
22	4	801-41	Washer, Seat
23	4	126-79	Bumper, Plastic - Black
24	2	127-42	Nameplate, 8x8 Response
25	4	103-48	T/S Pan HD Phil #10 5/8 A Zn
26	42	120-24	Rivet, Alum - 3/32x3/8-all plates
27	85	120-09	Rivet 3/16 x 1
28	1	601-44	Nameplate, ARGO
29	4	117-44	T-Nut 1/4-20 PL
31	1	609-41RM	Firewall, Handle Bar Steering
32	1	127-144	Label, Warning - HOT
34	1	803-02	Floor Pan, Front (specify colour)
35	1	803-03	Floor Pan, Rear (specify colour)
36	85	120-04	Washer .195IDx.50ODx.08 Zn
37	1	126-60	Vinyl Strip 1/2"x1/4"x50'
38	2	120-05	Washer
39	6	100-16	Clip, Hitch Pin 1.625 Zn

Ref.	Qty.	Part #	Description
40	2	100-18	Plug, Drain 5/8x13/32
41	1	801-03	Seat, Rear LH - 8x8
42	1	801-02	Seat, Rear RH - 8x8
43	2	120-05	Washer .195IDx.50ODx.04 Zn
44	8	103-47	HHCS 10-24x1/2 Zn
45	12	120-13	Rivet 3/16 x 5/8
46	10	120-09	Rivet 3/16x1
47	4	103-61	HHCS 3/8-24x1.5 Gr5 Zn
48	4	117-24	Locknut, Nylon 3/8-24 Zn
49	1	616-16	Hitch Assembly
50	1	127-153	Plate, Keyswitch
51	1	127-152	Shifting Plate
53	1	126-67	Floor Pan Plate
54	1	126-68	Operation Plate
55	1	126-69	Fuel Plate
56	1	127-76	Plate, Capacity - Land/Water
57	1	126-64	Vehicle ID Plate
58	1		U.S. Plate, Non U.S. Argos only
61	1	125-41	Dash Handle, incl. 62
62	2		Plug cap, avail. only with 61
63	3	117-10	Locknut, Nylon #10-24 Zn
64	1	126-88	Bumper, Rubber
65	3	103-25	PHMS #10-24x3/4 Zn
66	1	602-38	Clip, Hood
67	2	613-75	Bezel, Headlamp
68	2	613-76	Bracket, Headlight Backing
69			See Section 10.0 Electrical System
70	8	103-24BL	OHPS T/S #6 x 1.0 Black Zn
71	1	616-19	Tube, Hitch - Insert
72	1	104-13	Pin, Top Link
73	1	117-15	Nut, Fin. Hex 3/8-16 Zn
74	1	602-27	Support, Adjustable
75	1	103-89	C/Bolt 3/8-16x3/4 Gr2 Zn
76	1	108-06	Lockwasher 3/8 Zn
77	2	127-01	Reflector, Red
78	4	103-48	T/S Pan HD Phil #10x5/8 A Zn
79	1	104-11	Pin, Lynch
80	8	108-59	Lockwasher #10 Int. Tooth Zn



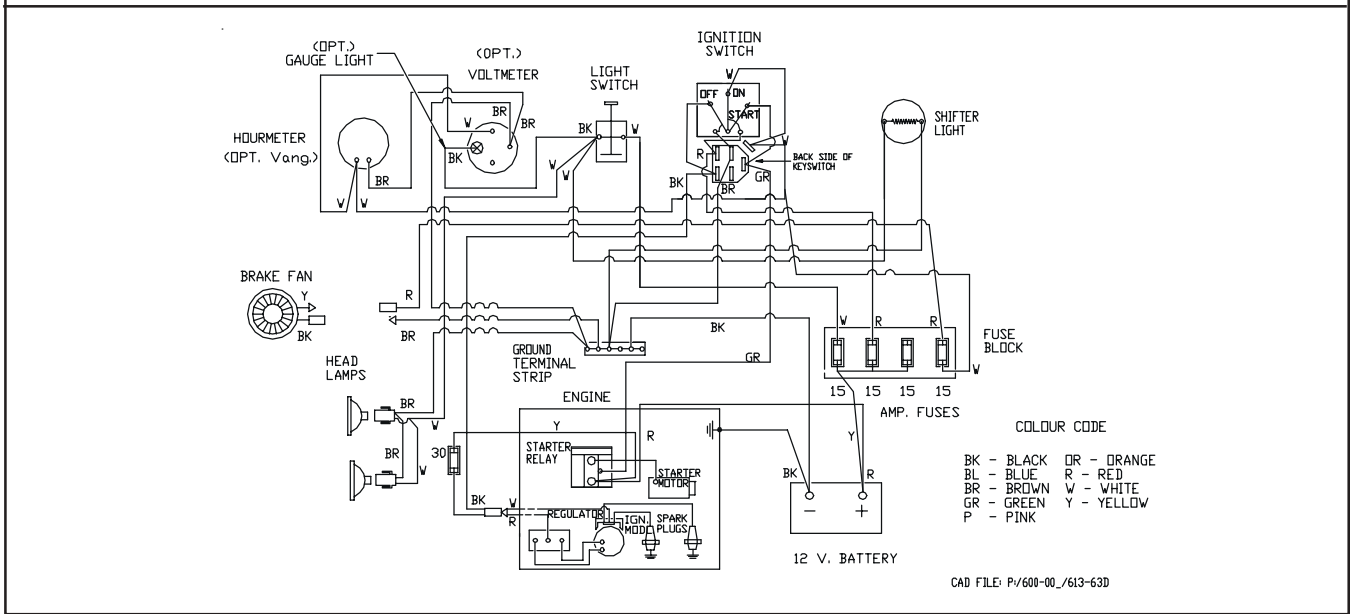
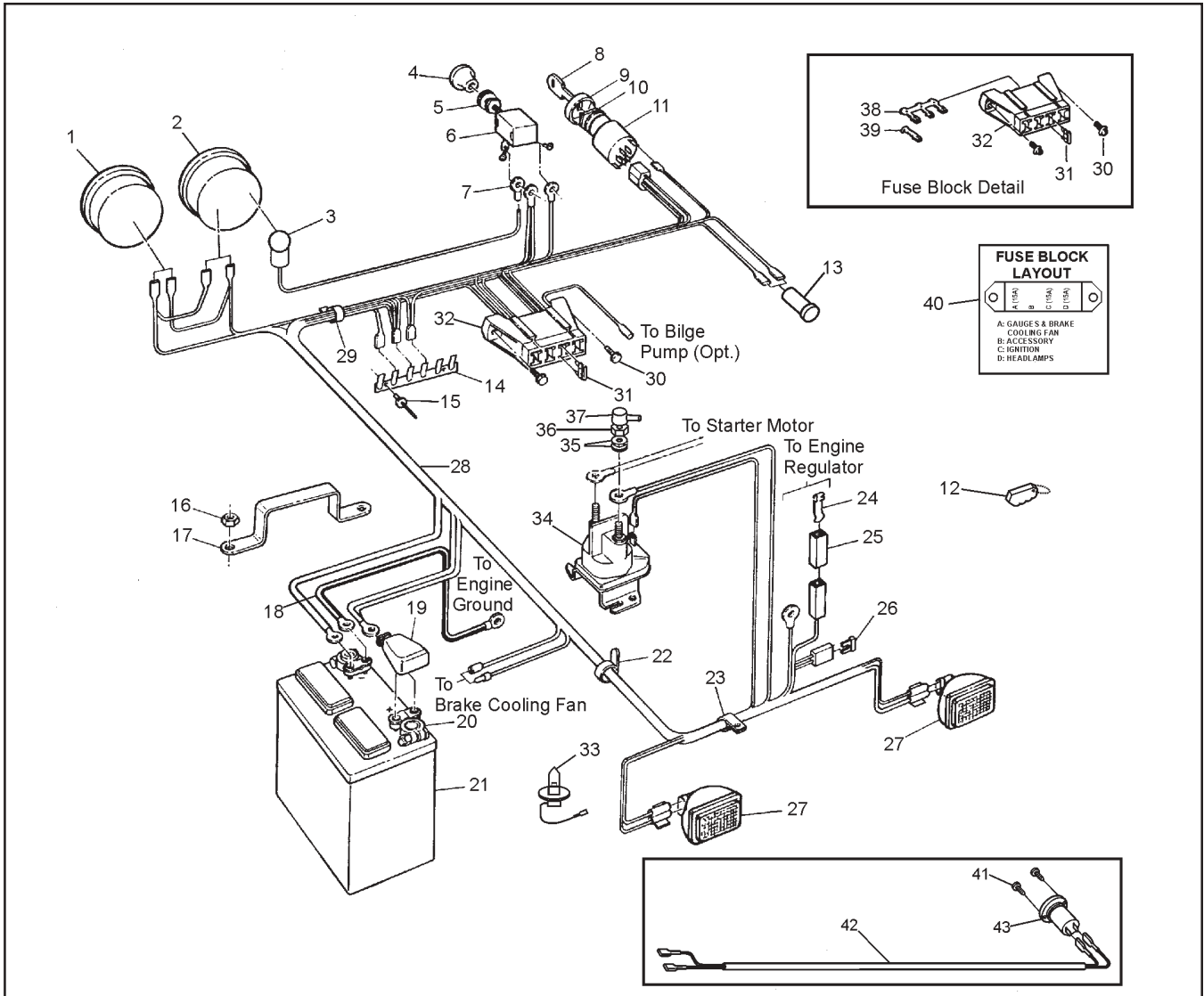
Ref.	Qty.	Part #	Description
1	1	806-00	Frame Asm - 8x8
2	2	606-24	Gasket - Bearing Extension
3	80	117-29	Locknut, Nylon 3/8-16 Zn
4	16	108-46	Washer .40x1.37x.12 Hi-Carbon
5	12	101-35	Bearing, Ball - 1.25
5a	8	101-41	Bearing, Ball - 1.0
6	82	108-15	Washer, .42x.81x.05 Zn
7	30	103-88	C/Bolt 3/8-16x1.0 Gr5 Zn
8	2	108-06	Lockwasher 3/8 Split Ring Zn
9	16	605-89	Gasket, Flange - Outer
10	20	605-63	Flange - 4 hole
11	8	102-14	Seal, Oil 1.25x1.75x0.188
12	8	102-15	Seal, Oil 1.25x1.874x0.25
13	8	605-97	Flange Asm, Outer (incl. Refs. 11 & 12)
14	24	112-39	C/Bolt 3/8-16x1.75 Gr5 Zn
15	8	112-134	C/Bolt 3/8-16 x 6.5 Zn
16	2	810-52	Bearing Extension (uses Refs. 17 & 18)
17	12	108-34	Washer 7/16 SAE Zn
18	12	103-81	HHCS 7/16-20x2.5 Gr5 Zn
19	5x8	103-80	Stud, Wheel 7/16-20x1.125 #B271
20	2 (*4)	810-73	Axle Asm - Front/Rear (incl. Ref. 19) (*on vehicles with optional rear bearing extensions)
21	6 (*4)	810-75	Axle Asm - Mid (incl. Ref. 19) (*on vehicles with optional rear bearing extensions)
22	2	810-32	Shaft, Idler - 11T
23	1	604-84	Frame Asm, Battery
24	6	810-28	Sprocket, Double - 24T
25	8	606-34	Sprocket, S60x19T
26	10	112-03	SHSS 5/16-18x3/8 1/2 DOG, PL
27	2	803-17	Chain, Idler RC50-2x40P (incl. Ref. 53)
28	4	117-64	Insert, 1/4-20
29	12	112-31	HHCS 3/8-16x1.0 2B Gr8 Zn
30	2	112-14	HHCS 3/8-16x.75 Gr5 Zn
31	1	108-15	Washer 3/8 SAE Zn
32	4	103-82	HHCS 3/8-16x1.5 Gr5 Zn
33	4	112-61	C/Bolt 3/8-16 x 1.25 Gr5 Zn
34	2	120-15	Rivet 1/8x7/16
35	1	126-11	Spring
36		127-80	Link, Half - RC60 - 1 (opt.)
37	4	101-80	Flange, Greaseable - 90 Degree
38	8	101-20	Flange, Greaseable - 4 hole
39	4	606-42	Slide, Chain - 1.25"
40	2	606-41	Slide, Chain - 2"
41	6	603-95	Spring Clip - RC50 Closed
42	6	603-96	Spring Clip - RC60 Closed
43	2	603-17	Chain, RC50-2 x 42P-Front (incl. Ref. 53)
44	2	603-20	Chain, RC50-2 x 70P-Mid (incl. Ref. 53)
45	4	603-93	Chain, RC60-1 x 84P-Rear (incl. Ref. 54)
46	5x8	117-35	Nut, Wheel 7/16-20 Zn
47	8	125-26	Valve, Tire
48	8	125-13C	Rim - Charcoal
49	8	126-96	Tire, Goodyear Runamuk 22x10-8
50	2	107-10	Retaining Ring, Sh-0125-PA
52	6	100-01	Pin, Cotter 1/8x1.50 Zn
53	1x6	100-96	Con. Link, RC50-2 H.D.
54	1x4	603-84	Con. Link, RC60-1 H.D.
55	6	127-65	Spring Torsion - 1.16x0.35
56	6	606-39	Slider Block -1/2" Shaft
57	6	606-35	Tensioner Asm, Chain
58	6	127-64	Spring, Torsion - .76x1.9

9.0 Fuel System & Seat Assembly Response Parts Manual



Response Parts Manual 9.0 Fuel System & Seat Assembly

Ref.	Qty.	Part #	Description
1	1	803-50	Handrail Assembly
2	10	108-03	Lockwasher, Split Ring 1/4" Zn
3	2	112-41	PHMS, PHIL 1/4-20x1.25 Zn
4	1	608-39	Back Pad Assembly
5	1	608-43	Seat, Bench
6	1	608-30	Angle, Left
7	1	608-31	Angle, Right
8	4	103-03	PHMS, Phil 1/4-20 x 1.50 Zn
9	10	112-04	HHCS 1/4-20x3/4 Gr2 Zn
13	1	804-17	Frame Assembly, Seat
16	2	120-04	Washer .195IDx.50ODx.08 Zn
17	1	608-32	Tool Box
18	1	608-28	Pickup Assembly, Fuel (see Ref. 19)
19	1	608-24	Tank, Fuel 32 litre (incl. Ref. 18)
20	2	112-79	Clamp, Hose 1/2" Black
21	1	608-42	Fuel Hose - 110"
23	2	100-12	Clamp, Gear 2.25" HF-36
24	1	125-94	Hose, Filler
25	1	126-47	Neck Assembly, Fuel
26	1	126-46	Cap, Fuel
27	1	127-21	Hose, Vent 86"
28	1	126-50	Male Connector, 1/4"
29	6	126-94	Clamp, Nylon Wire - 1/4" ID
31	12	117-10	Locknut, Nylon #10-24 Zn
33	4	126-93	Clamp, Nylon Wire - 1/2" ID
34	4	108-08	Washer, .28 x .62 x .04 Zn
35	3	120-09	Rivet 3/16x1
36	5	120-13	Rivet, 3/16 x 5/8
37	4	702-06	Foam Cushion
38	1	117-54	Locking PAL Nut, 1/2-20 Zn
39	12	112-07	RHMS 10-24 x 1.50 Zn
40	12	108-42	Washer .062x7/32x1.00 Zn
41	1	103-48	T/S PAN HD PHIL #10x5/8 A Zn



Ref.	Qty.	Part #	Description
1	1	632-15	Hourmeter #56458-10 (#876EM)
2	1	633-10	Voltmeter #07583-15 (#830EM)
3	2	634-10	Light Kit, #06215-00 5/8" dia, see Ref. 32 & 33 (opt.)
4	1	126-76	Knob, Light
5	1	108-55	Lockwasher 7/16 Ext. Tooth
6	1	100-62	Switch, Light
7	1	118-30	Terminal, Eye - #10
8	2	127-108	Key,molded
9	1	127-107	Cover, nut
10	1	127-106	Nut, flanged - plastic
11	1	127-105	Switch - Egnition
12	1	681-00	FOB - Key Floating
13	1	634-08	Light, Indicator
14	1	613-37	Terminal Strip, Ground
15	2	120-15	Rivet 1/8 x 7/16
16	2	117-21	Locknut, Nylon 5/16-18 Zn
17	1	604-52	Bracket, Battery Retaining
18	1	613-14	Ground Wire
19	1	127-55	Cap, Battery Terminal - Red
20	2	127-56	Terminal, Battery Post
21	1	127-54	Battery, Exide 45-60
22	8	100-64	Tie Wrap - 5.5" - Black
23	10	126-93	Clamp, Nylon Wire - 1/2" ID
24	1	118-56	Contact
25	1	118-57	Connector Housing
26	1	118-51	Fuse, 30A 2-prong (AT030)
27	2	613-69	Headlamp, Halogen (incl. Ref. 33)
28	1	613-63	Wire Harness
29	7	127-24	Clamp, Nylon - 1" ID
30	2	112-51	Screw, IHWH T/C #10-24x5/8
31	3	118-49	Fuse, 15 A 2-prong (AT015)
32	1	118-60	Block Fuse - 8 position (4 fuse)
33	2	127-46	Bulb, Headlight - Halogen
34	1	613-68	Starter Relay
35	1	108-03	Lockwasher 1/4 Zn
36	2	117-20	Nut, Fin. Hex 1/4-20 Zn
37	1	613-45	Insulator, Terminal (6 ga.)
38	1	118-63	Terminal, Fuse - Triple
39	5	118-62	Terminal, Fuse - Single
40	1	127-127	Label, Fuse Panel - Briggs (located on Guard, Belt Protect - see pg. 7)
41	3	112-139	#4 Phil Drive Oval Head Screw, Black
42	1	613-91	Wire Harness, 12V Acc. Outlet
43	1	613-90	Outlet, 12VDC

***ARGO* Products Manufactured by:**

Ontario Drive & Gear Limited

220 Bergey Court
New Hamburg, Ontario
Canada N3A 2J5
Phone: (519) 662-2840
Fax: (519) 662-2421

ODG *Dedicated to quality and performance*