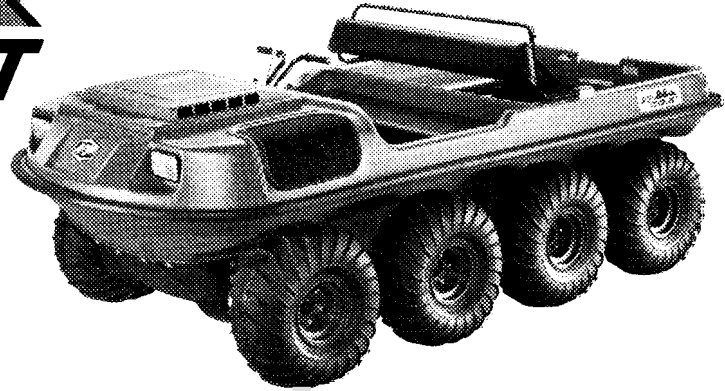


Argo
CONQUEST



ARGO

**CONQUEST PARTS
MANUAL**

**Model Nos. V894-37 &
V894-38**

From Serial #CB10847

Foreword

ODG has prepared this parts manual for the **CONQUEST** Models to assist both qualified mechanics and vehicle owners in ordering correct, quality replacement **ARGO** parts.

Proper and regular service, and replacing old, worn or broken parts with the correct **ARGO** replacement parts, are both essential to prolonging the life of the **ARGO**. Please refer to this parts manual before ordering any replacement part.

All information contained in this **CONQUEST** Parts Manual is based on the latest product specification available at time of printing. If your **CONQUEST** differs from the specifications contained in this manual, **contact Ontario Drive & Gear Limited for information.**

ODG reserves the right to alter specifications on the **CONQUEST** models at any time, without obligation or prior notification.

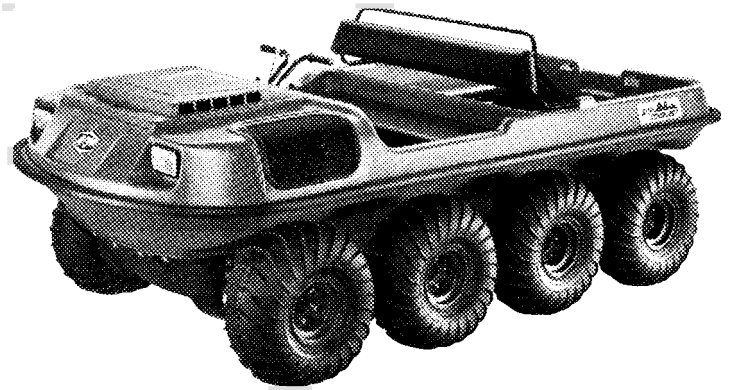
Reproduction of the **CONQUEST Parts Manual No. 894-37** in whole or in part, is prohibited without prior written permission from **Ontario Drive & Gear Limited.**

Model Identification

CONQUEST - Model Nos. V894-37 and V894-38

Explanation of Parts Manual Format

- Ref** - Reference Number between Assembly Diagram and Component Parts List
- Part No.** - Argo replacement part number for identification and re-ordering
- Description** - Part Description for identification and re-ordering
- Qty** - Indicates the quantity of a part used in an Assembly



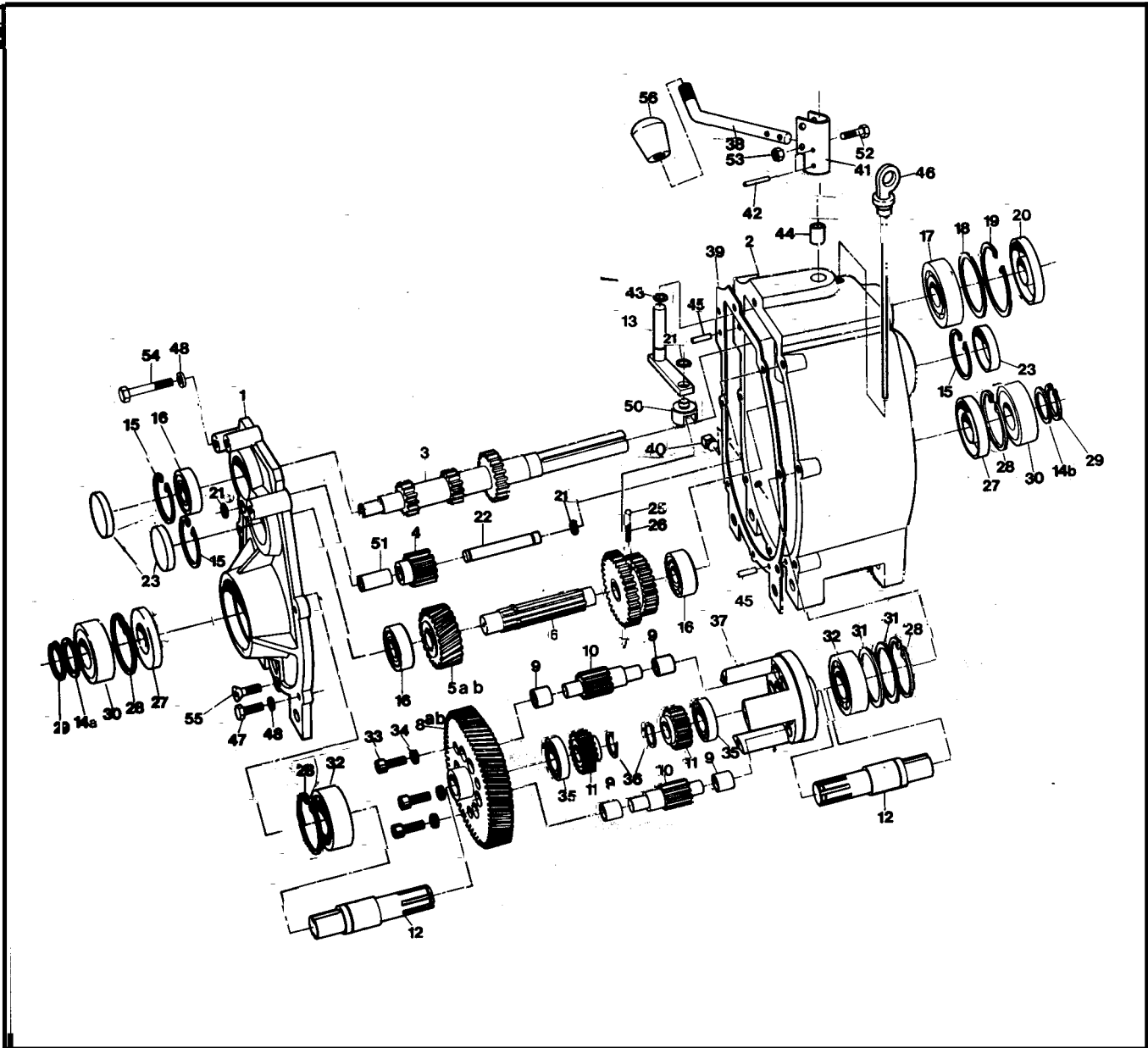
Using the Parts Manual

- 1 Find the major vehicle assembly in the Table of Contents on this page, and turn to that section.
2. Locate the part in the illustration that you wish to order.
3. Refer to the parts list in that section.
4. Find the correct part number (Part No.), part description (Description) and correct quantity (Qty).
5. Use **only** this information to order **ARGO** replacement parts. **DO NOT** attempt to order a replacement part by Ref number or Page number.

Table of Contents

Foreword.....	i
Model Identification.....	i
Using the Parts Manual.....	ii
1.0 Transmission.....	1
2.0 Intake and Exhaust System.....	3
3.0 Clutch System.....	3
4.0 Power Pack Assembly.....	5
5.0 Brake System - Hydraulic.....	7
6.0 Vehicle Body & Firewall.....	9
7.0 Frame & Drive System.....	11
8.0 Fuel System & Seat Assembly... ..	13
9.0 Electrical System.....	15

1.0 Transmission

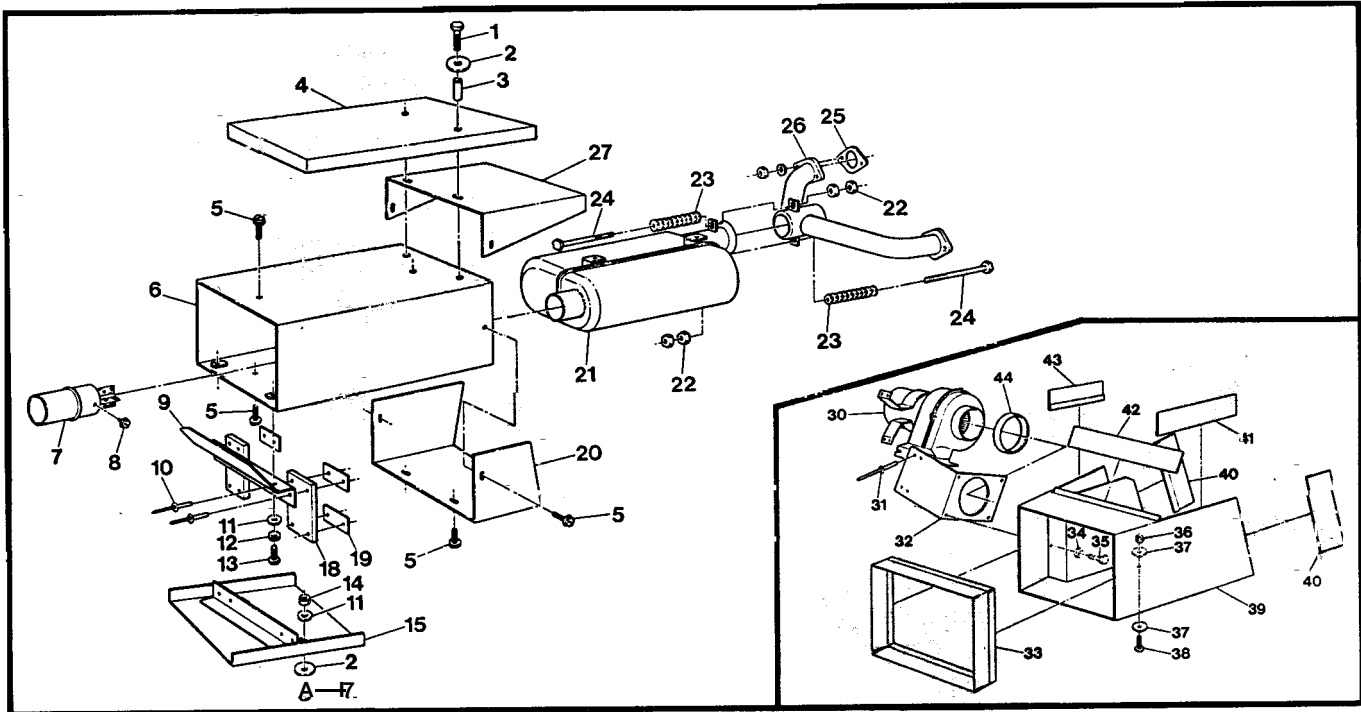


1.0 Transmission

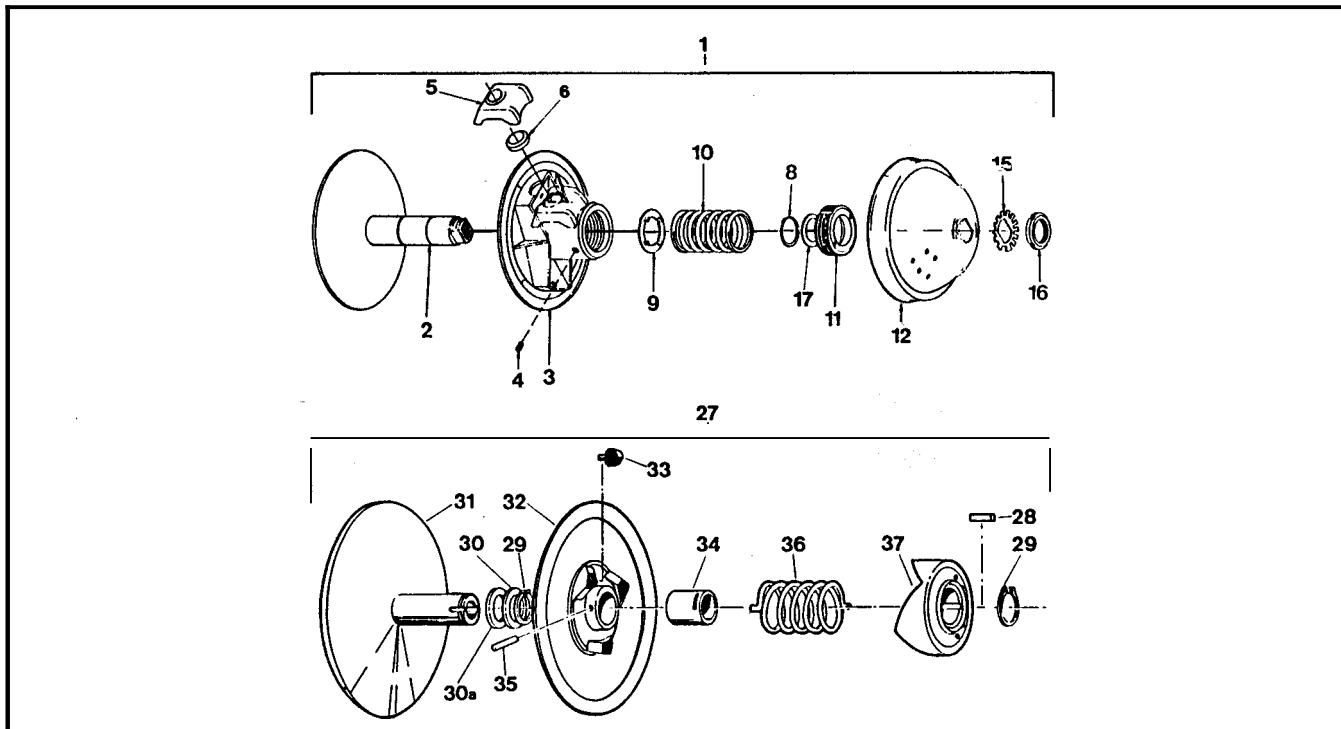
Ref	Part No.	Description	Qty
.	610-17MU	Transmission Asm - MU, does not include Refs 38, 52, 53 & 56 uses Refs 5a & 8a	
.	610-17GU	Transmission Asm - GU, does not include Refs 38, 52, 53, & 56 uses Refs 5b & 8b	
1	34-68	Cover, Transmission	1
2	34-99	Housing, Transmission	1
3	34-21	Shaft, Input - 13/21 T	1
4	34-16A	Gear Idler - 13T (incl. Ref 51)	1
5a	34-95	Gear, Helical - 24T (MU)	1
5b	34-97	Gear, Helical - 21T (GU)	1
6	34-94	Shaft, Spline (all U)	1
7	34-91	Gear, Double - 26/33 T	1
8a	34-22	Gear Plate - 73T (M)	1
8b	34-45	Gear Plate - 76T (G)	1
9	105-03	Bushing, Oilite - AA650	12
10	34-13	Gear, Planet -12 T	6
11	34-14	Gear, Sun - 21 T	2
12	34-81	Shaft, Output	2
13	34-65	Shifter Assem.	1
14a	114-04	Washer, Shim .040 Thk	1
14b	114-05	Washer, Shim .020 Thk	1
15	106-01	Retaining Ring #5000-187PA	3
16	101-01	Bearing, Ball 6204Z-C 3	3
17	101-16	Bearing, Ball 6206-C3	1
18	114-02	Washer, Shim 2.062	1
19	106-05	Retaining Ring N1300-244	1
20	102-05	Seal, Oil WBS 30x62x10 NB D/Lip	1
21	107-05	Retaining Ring N1400-50	3
22	34-11	Pin, Dowel 1/2 x 3.50	1
23	31-07	Plug plate	3
25	109-05	Ball, Steel 6mm 62-67 Rc	1

Ref	Part No.	Description	Qty
26	34-32	Spring, Compression - 7/32 x .50	1
27	102-03	Seal, Oil WBS 30x72x10 NB D/Lip	2
28	106-03	Retaining Ring #5000-281PA	4
29	107-02	Retaining Ring N1400-118	2
30	101-05	Bearing, Ball 6306-2NSL C3	2
31	114-01	Washer, Shim .020x2.25x2.81	2
32	101-03	Bearing, Ball 6207-C 3	2
33	103-04	SHCS, 5/16-18 x 1.00 PL	3
34	108-02	Lockwasher, Hi-Collar 5/16, PL	3
35	101-15	Bearing, Ball 6005-C 3	2
36	107-04	Retaining Ring N1400-98	2
37	34-08	Cage	1
38	610-67	Shift Lever Rod	1
39	34-47	Gasket, Cover - 1/64" Thk	1
40	103-02	Plug, Magnetic 3/8-18 NPT Sq. Hd	1
41	34-86	Holder, Shift Lever	1
42	111-01	Pin, Spirol 5/32 x 1.00	2
43	113-01	O-Ring 012-7147	1
44	105-02	Bushing, Oilite - AA628	1
45	104-03	Pin, Dowel 1/4" x 7/8" long	2
46	34-77	Dipstick, with breather	1
47	103-06	HHCS 5/16-18x1.00 GR5 Zinc	4
48	108-05	Lockwasher 5/16 Zinc	7
50	34-63	Shift Yoke	1
51	105-05	Bushing, Oilite - AA650-3 (in Ref. 4)	1
52	103-97	HHCS 1/4-20x1.25 GR5 Zc	1
53	117-27	Locknut, Nylon 1/4-20 Zinc	1
54		See Section 4.0	
55	103-95	FHSC 5/16-18x1.0 GR8 Zinc	1
56	126-38	Knob, Shift	1

2.0 Intake and Exhaust System



3.0 Clutch System



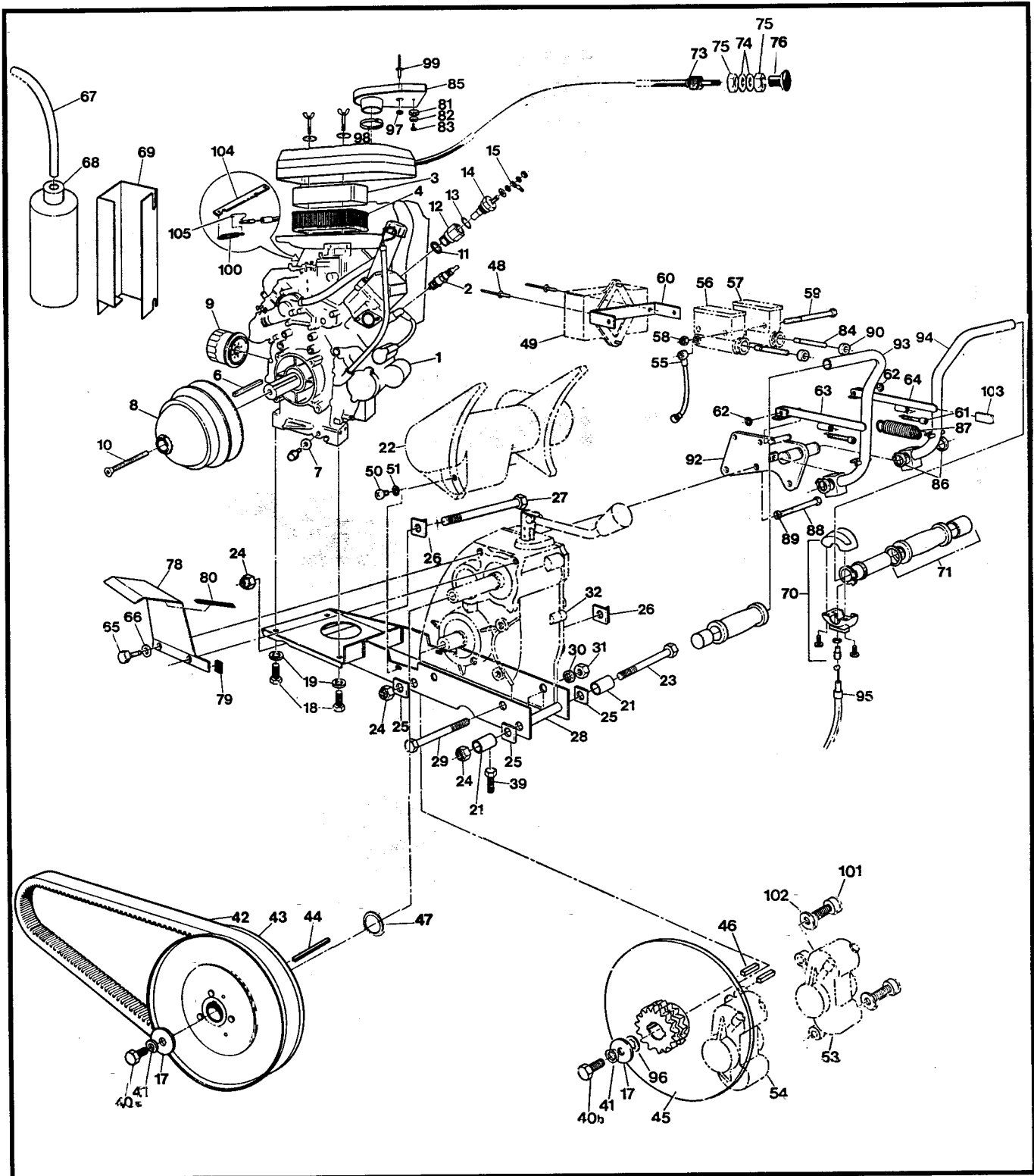
2.0 Intake and Exhaust System

Ref	Part No.	Description	Qty	Ref	Part No.	Description	Qty
1	103-97	HHCS 1/4-20x1.25 GR5 Zc	2	23	114-06	Washer, Belleville, Spring	20
2	108-01	Washer, Fender 1/4 BSx1.25	4	24	112-40	HHCS, 1/4-20x2.5 GR2 Zc	2
3	807-71	Spacer, .26IDx.875LG	2	25	1060-2079	Gasket, Muffler	2
4	127-09	Insulation	1	26	807-66	Manifold Assem.	1
5	103-11	Screw, IHWH Slot 1/4-20x.50	8				
6	807-41	Shield Assem., Muffler	1				
7	807-64	Pipe Assem., Tail	1	30		See Section 5.0	
8	112-43	Screw	1	31	120-13	Rivet #U4815 1D Dome 0611	4
9	807-43	Support, Upper	1	32	807-68	Bracket Assem., Fan	1
10	120-09	Rivet 3/16x1	8	33	603-87	Seal, Radiator	1
11	108-08	Washer 1/4 SAE Zinc	4	34	108-03	Lockwasher, Split Ring 1/4"	4
12	108-03	Lockwasher, Split Ring 1/4"	2	35	112-04	HHCS 1/4-20x3/4 GR2 Zinc	4
13	112-04	HHCS 1/4-20x3/4 GR2 Zinc	2	36	117-27	Locknut, Nylon 1/4-20Zinc	3
14	117-27	Locknut, Nylon 1/4-20Zinc	2	37	108-01	Washer, Fender 1/4 BSx 1.22	6
15	807-49	Support, Lower	1	38	103-63	PHMS , PHIL 1/4-20x 1.0 Zc	3
17	103-63	PHMS, PHIL 1/4-20x1.0 Zc	2	39	807-35	Duct Assem., Intake	1
18	126-07	Support, Flex	2	40	603-88C	Seal 9.62"	2
19	807-69	Washer, Special	4	41	603-88B	Seal 8.49"	1
20	807-70	Cover, Lower	1	42	603-88D	Seal 11.66"	1
21	807-42	Muffler Assem. - Conquest	1	43	603-88A	Seal 7.09"	1
22	117-20	Nut, Finished Hex. 1/4-20Zc	4	44	602-33	Vinyl Trim 9.8"	1

3.0 Clutch System

Ref	Part No.	Description	Qty	Ref	Part No.	Description	Qty
1	127-20	Clutch, Driver - Keyed (incl. Refs 2 to 17)	1	27	126-24	Clutch, Driven Model "B" SODB0001 (incl. Refs 28 to 37)	1
2	V01MCI1F	Pulley, Fixed - Half	1	28	ASK-5	Key 1/4x1/4x3/4	1
3	V023F	Pulley, Sliding - Half	1	29	ASR-6	Retaining Ring N1400-150	2
4	V046	SHSS (use Loctite 242)	1	30	ASA-1-S	Spacer .025" Thick	as req
5	V05BMR	Block	3	30a	ASA-1	Spacer .050" Thick	as req
6	C13-266	Weight	3	31	AFK25.4-2500D01	Pulley, Fixed - Half	1
8	V08C	Retaining Ring	1	32	AMC-2-2500D01	Pulley, Sliding - Half	1
9	V09	Spring Guide Plate	1	33	ANS-2-I	Shoe, Cam	3
10	V10-48-105-18	Spring, Blue	1	34	AMB-2	Bushing, Bronze	1
11	V111	Bushing, Threaded	1	35	CCP-2-156	Pin, Spirol	1
12	V1203A	Cap, Type "A"	1	36	ACS-3-188	Spring, Blue	1
15	V15	Lockwasher	1	37	FC4-C3D	Cam, 2-Way Aluminum	1
16	V16	Locknut	1				
17	X-35-M	Spacer	1				

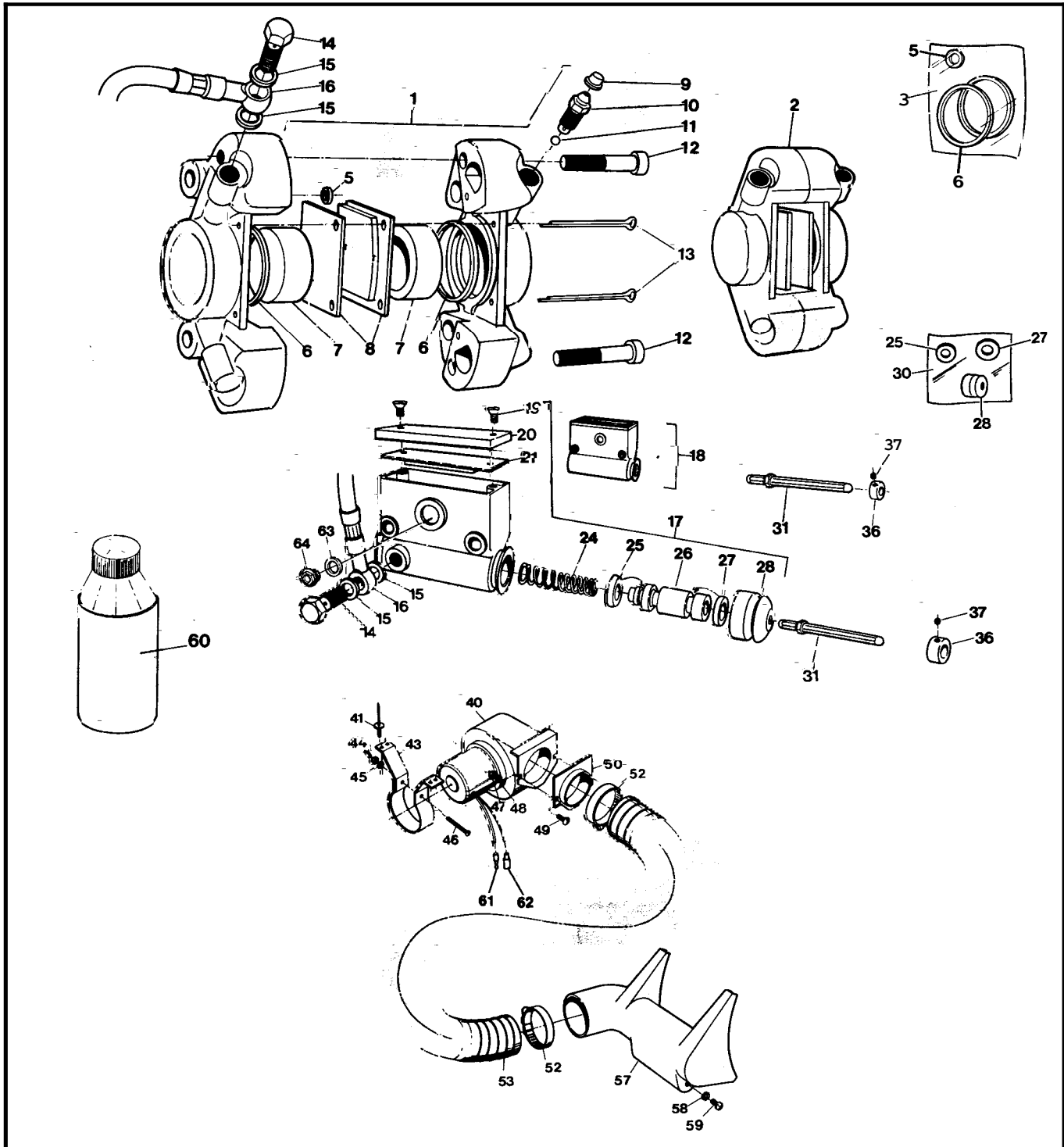
40 Power Pack A. ssembly



4.0 Power Pack Assembly

Ref	Part No.	Description	Qty	Ref	Part No.	Description	Qty
1	127-10	Engine - Kawasaki, FD620-ASO-8 (incl. Refs. 2, 3, 4, 7, 9, 11, 49, Exhaust Gasket, Regulator, and Fuel Pump)	1	50 to 57		See Section 5.0	
2	92070-2072	Sparkplug, BMR4A	2	58	117-27	Locknut, Nylon, 1/4-20 Zinc	2
3	11013-2114	Element, Air Filter	1	59	103-66	HHCS 1/4-20x4.00 GR5 Zc	2
4	11013-2139	Element, Air Filter	1	60	610-75	Bracket, Igniter	1
6	110-12	Key 1/4x1/4x2.25	1	61	103-69	SHCS 1/4-20x1.50 Zinc	2
7	11009-2566	Gasket, Drain Plug	1	62	113-02	O-Ring #106-7147	2
8		See Section 3.0		63	810-20	Lever Assem., Brake - LH	1
9	49065-2071	Filter, Oil	1	64	810-21	Lever Assem., Brake - RH	1
10	112-23	FHSC M10x1.5x100mm PL	1	65	103-17	HHCS 3/8-16x1.00 GR5 Zc	2
11	11009-2765	Gasket	1	66	108-26	Washer 3/8 Zinc	2
12	634-19	Adaptor, Sender	1	67	127-15	Hose, Auxiliary Tank	1
13	634-20	Washer, Fibre	1	68	127-16	Bottle, Auxiliary Tank	1
14	634-17	Sender, Coolant Temperature	1	69	127-14	Holder, Auxiliary Tank	1
15	118-50	Terminal, Blade #06871-00	1	70	100-57	Throttle Twist Grip Set	1
17	108-18	Washer, 13/32x1.375x11GA	3	71	127-23	Grips, Foam	1
18	112-24	HHCS M8x1.25x18mm Zc	4	73	612-91	Cable Assm., Choke (incl 75)	1
19	108-05	Lockwasher 5/16 Zinc	4	74	108-24	Washer 5/16 SAE Zinc	2
21	811-14	Spacer	2	75		Jam Nut (Part of 73)	1
22		See Section 5.0		76	126-75	Knob, Choke - Black	1
23	103-37	HHCS 5/8-18x10.00 GR5 Zc	1	78	603-29	Guard, Belt Protect	1
24	117-56	Locknut, Nylon 5/8-18 Zinc	3	79	601-92	Vinyl Trim - 1.5"	1
25	811-09	Washer, Square, .64ID	3	80	601-93	Vinyl Trim - 4.25"	1
26	811-10	Washer Asm, Square	2	81	202-24	Washer, Rubber	1
27	103-52	HHCS 5/8-18x7.50 GR5 Zc	2	82	126-79	Bumper, Plastic - Black	1
28	811-30	Frame, Powerpack - Conq.	1	83	103-48	Pan HD PHIL T/S #10x5/8	1
29	103-20	HHCS 1/2-13x6.50 GR5 Zc	2	84		See Section 5.0	
30	108-07	Lockwasher 1/2 Zinc	2	85	127-08	Duct Assem., Carburetor specify colour	1
31	117-06	Nut, Fin Hex 1/2-13 Zinc	2	86	106-07	Retaining Ring N1400-75	4
32		See Section 1.0		87	125-61	Spring, Tensioner	2
39	103-53	HHCS 3/8-16x3.0 Full thread	2	88	103-55	HHCS 5/16-18x2.75 GR5 Zc	3
40a	103-34	HHCS 3/8-16x1.25 GR5 Zc	1	89	108-05	Lockwasher 5/16 Zinc	3
40b	103-18	HHCS 3/8-24x1.25 GR5 Zc	2	90		See Section 5.0	
41	108-06	Lockwasher, 3/8 S/R, Zinc	3	92	812-01	Bracket Asm, Steering	1
42	125-56	Drive Belt	1	93	812-19	Lever Asm, Steering - LH	1
43		See Section 3.0		94	812-18	Lever Asm, Steering - RH	1
44	110-09	Key 1/4x1/4x3.0	1	95	612-90	Cable Asm, Throttle - Conq.	1
45	810-01	Brake Disc #50-2x13T	2	96	108-47	Washer .125x.39x.94 Zinc	2
46	110-08	Key 1/4x1/4x1.25	4	97	120-04	Washer .195IDx.500Dx.080	1
47	108-36	Washer .08x1.00x1.375 Zinc	as req	98	100-12	Clamp, Gear 2.25" HF-36	1
48	120-13	Rivet #U48151D Dome 0619	2	99	120-09	Rivet 3/16x1	1
49	21119-2120	Igniter	1	100	127-11	Spring, Return	1
				101	103-41	SHCS, 3/8-16x1.25 Zinc	4
				102	108-23	Washer 3/8 SAE GR8 - Dich	4
				103	126-89	Cap, Vinyl - Black	2
				104	127-12	Bracket, Spring	1
				105	127-13	Swivel	1

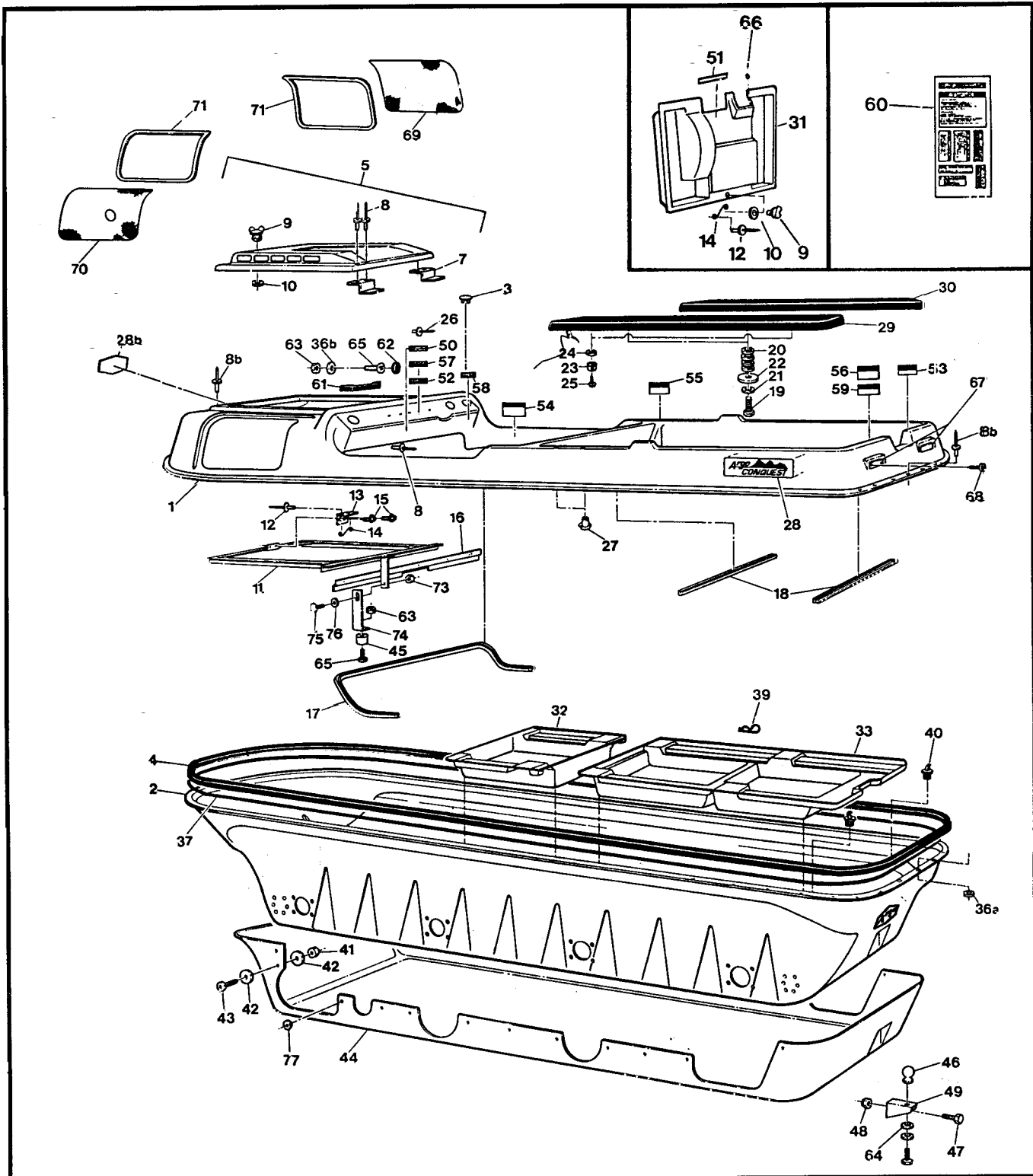
5.0 Brake System - Hydraulic



5.0 Brake System - Hydraulic

Ref	Part No.	Description	Qty	Ref	Part No.	Description	Qty
1	166-05	Caliper Asm, Brake - L (incl. Refs 5 to 13)	1	.	125-92	Adpt. & Mounting Kit (incl. Refs 43 to 50)	
2	166-06	Caliper Asm, Brake - R (incl. Refs 5 to 13)	1	40	125-91	Blower Fan	1
3	161-01	O-Ring Kit, Caliper (incl. Refs 5 & 6)	2	41		See Section 2.0	
5		Seal, Rubber-5mm (see Ref 3)	1	43		Mounting Bracket	1
6		Seal, Piston-41mm (see Ref 3)	2	44		Nut, #10-32	1
7	168-05	Piston 41mm	2x2	45	See	Lockwasher, 3/16"	1
8	170-02	Brake Pad Set(4) - Metallic	1	46	125-92	Screw, #10-32 x 2"	1
9	168-20	Plug, Rubber	1x2	47	above	Nut, 1/4-20	2
10	168-03	Screw, Bleeding M10x1.0	1x2	48		Lockwasher, 1/4"	2
11	168-04	Ball, Check - 7/32 Dia.	1x2	49		Screw, 1/4-20 x 5/8"	2
12	160-41	SHCS M10x1.5x50mm Zinc	2x2	50		Adaptor, 3" dia.	1
13	168-06	Pin, Cotter M3.2x50mm	2x2				
14	160-44	Bolt, Banjo-M10x1.0x 21.0 Zinc	4	52	125-35	Clamp, Gear 3.50" HF-52	2
15	160-01	Washer, Copper - 1.5x10.0x 14.0	8	53	127-06	Hose, Intake 3" dia. x 26"	1
16	163-01	Hose Asm,Hydraulic-300mm	1x2	57	126-36	Brake Cool Air Duct	1
17	165-06	Master Cylinder, (incl. Refs 19 to 21, 24 to 28)	1	58	108-56	Lockwasher 1/4 Ext. Tooth Z	2
18	165-05	Master Cylinder, (incl. Refs 19 to 21, 24 to 28)	1	59	103-96	PHMS, Phil 1/4-20x5/8 Zinc	2
19	160-42	FHMS M5x0.8x6mm	2x2	60	126-19	Fluid, Brake-Silicon Dot 5 - .35L	
20	168-08	Cover	1x2	61	118-02	Terminal, Male-#76-1251	1
21	168-09	Cover, Rubber	1x2	62	118-03	Terminal, Female - #76-1289	1
24	162-02	Spring, Return	1x2	63	160-03	O-Ring, Oil Window	1x2
25		Seal, Primary 19mm (See Ref. 30)	1x2	64	168-14	Oil Window, Mstr. Cylinder	1x2
26	168-10	Piston 19mm dia.	1x2				
27		Seal, Secondary 19mm (See Ref. 30)	1x2				
28		Boot, Rubber, (See Ref. 30)	1x2				
30	161-25	O-Ring Kit-Master Cylinder (incl. Refs 25, 27 & 28)	1x2				
31	812-13	Pin Asm, Plunger-Adjustable	2				
36	812-17	Pin Stop	1x2				
37	112-02	SHSS 10-24x1/4 Cone PT,PL	2x2				

6.0 Veh c e Body & Frewa



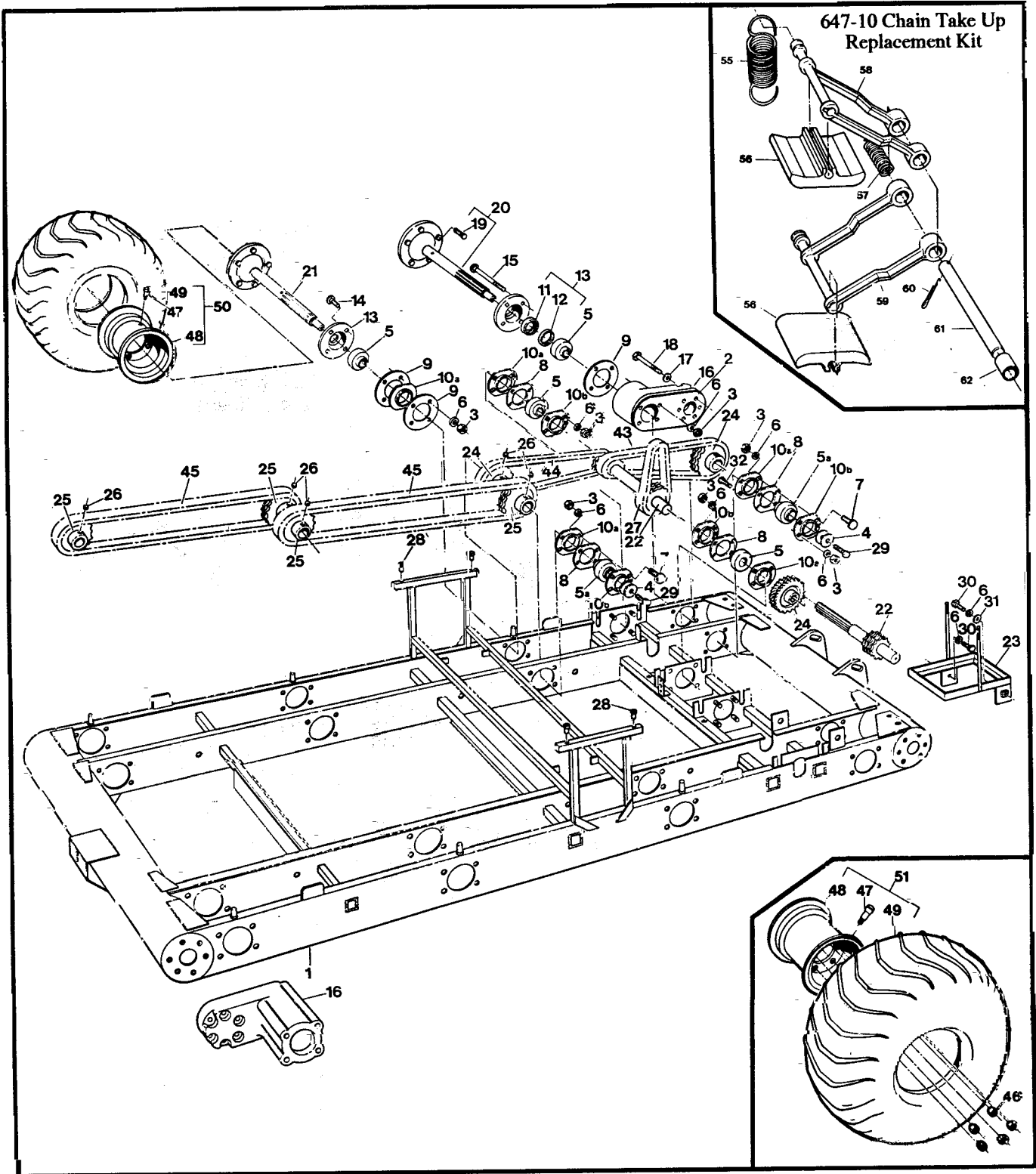
Phone 1 62.2840 Fax (1) 2-2421

O no Di & Limited

6.0 Vehicle Body & Firewall

Ref	Part No.	Description	Qty	Ref	Part No.	Description	Qty
1	801-42	Body, Upper - Conquest, (specify colour)	1	39	100-16	Clip, Hitch Pin 1.625 Zinc	6
2	801-43	Body, Lower - Conquest (specify colour)	1	40	100-18	Plug, Drain 5/8"x13/32"	2
3	127-28	Plug, Nylon - Black	1	41	117-27	Locknut, Nylon 1/4-20 Zinc	32
4	801-05	Bumper, Vinyl - 8x8	1	42	108-01	Washer, Fender 1/4 BSx1.25	44
5	602-34	Hood Asm., - Conquest, (specify colour)	1	43	103-63	PHMS, PHIL 1/4-20x1.0 Zc	32
7	602-28	Hinge Clip, Hood	2	44	863-11	Skid Plate, 8x8 - Black	1
8	120-13	Rivet #U48151D Dome 0619	17	45	126-88	Bumper, Rubber	1
8b	120-09	Rivet 3/16x1	79	46	100-61	Coupler Ball(c/w Bolt+Wshr)	1
9	126-10	Wing Stud	2	47	103-61	HHCS 3/8-24x1.50 GR5 Zc	2
10	126-09	Grommet, Alum. #GH-7	2	48	117-24	Locknut, Nylon 3/8-24 Zinc	2
11	602-24	Frame Assem., Hood	1	49	616-01	Hitch Tongue Assembly	1
12	120-15	Rivet Blind SD 45 BS	4	50		Vehicle ID Plate, Alum.	1
13	601-69	Spring Plate	1	51	126-65	Plate, Shifting	1
14	126-11	Spring	2	52	127-26	Plate, Steering Lever+Winch	1
15	103-72	Screw, IHWH T/C Slot 1/4-20 x 3/4"	2	53	126-67	Plate, Floor Pan	1
16	602-29	Brace, Dash	1	54	126-68	Plate, Operation	1
17	601-08	Trim, Vinyl 84"	1	55	126-69	Plate, Fuel	1
18	601-09	Trim, Vinyl 28"	2	56	126-70	Plate, Vehicle Capacity	1
19	112-04	HHCS, 1/4-20x3/4" GR2 Zc	4	57	126-72	Plate, Holding Brake	1
20	108-25	Washer, Plate 1/4 Zinc	16	58		U.S. Plate, (Non-U.S. Argos only)	1
21	108-03	Lockwasher, Split Ring 1/4"	4	60	126-73	Decals, French Language (incl. 50 to 58 available as set only)	1
22	801-41	Washer, Seat	4	61	125-41	Handle, Dash (incl. 62)	1
23	126-79	Bumper, Plastic - Black	4	62		Plug cap, (avail. only with 61)	2
24	120-05	Washer .195x.50x.040 Zinc	4	63	117-10	Locknut, Nylon #10-24 Zinc	3
25	103-45	Screw, IHWH D+T #10-3/4" Zinc	4	64	108-53	Washer, 3/4x1.5x.125 SAE Z	1
26	120-24	Rivet, Blind Alum, (all plates)	22	65	103-25	PHMS #10-24x.750 Zinc	3
27	117-44	T-Nut 1/4-20 PL	4	66	125-84	Grommet, Rubber	1
28	127-27	Nameplate - Conquest	2	67	127-01	Reflector, Red	2
28b	601-44	Nameplate - Argo	1	68	103-48	Pan HD PHIL T/S #10x5/8	4
29	801-03	Seat, Rear LH, 8x8	1	69	807-56	Screen, Intake	1
30	801-02	Seat, Rear RH, 8x8	1	70	807-57	Screen, Exhaust	1
31	609-33	Firewall - Conquest	1	71	127-25	Extrusion, Rubber	2
32	803-02A	Floor Pan-Frnt - (specify clr)	1	73	117-15	Nut, Fin Hex 3/8-16 Zinc	1
33	803-03A	Floor Pan-Rear - (specify clr)	1	74	602-27	Support, Adjustable	1
36a	120-04	Washer .195IDx.50ODx.080	57	75	103-89	C/Bolt 3/8-16x.75 GR2 Zinc	1
36b	120-05	Washer .195IDx.50x.040 Zc	2	76	108-06	Lockwasher, 3/8 S/R, Zinc	1
37	126-60	Seal, Vinyl 1/2"x1/4"x37.5'	1	77	108-08	Washer 1/4 SAE Zinc	2

7.0 Frame and Drive System

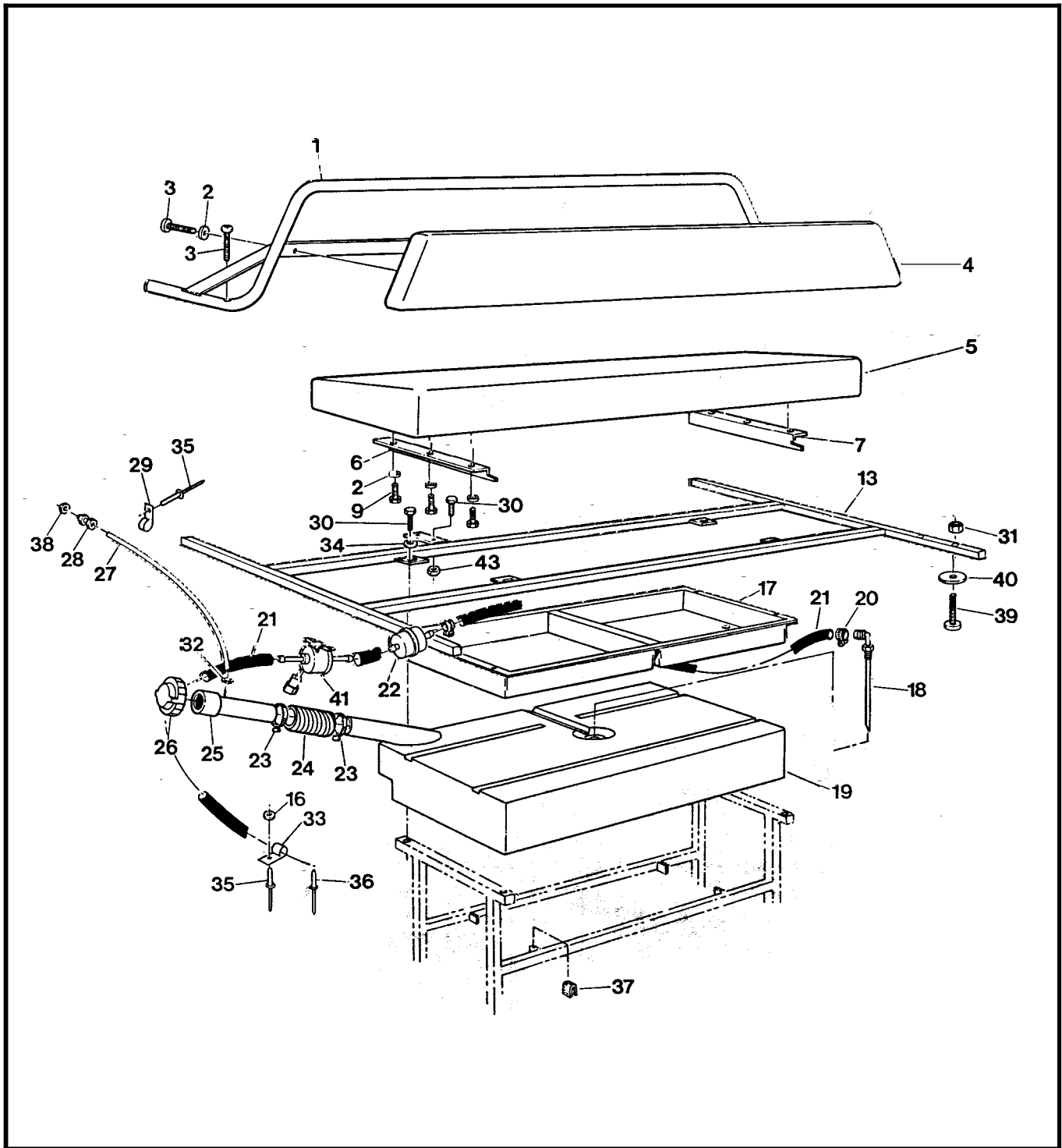


7.0 Frame and Drive System

Ref	Part No.	Description	Qty
1	804-90	Frame Assem. - Conquest	1
2	605-69	Gasket - DRG44 Mat'l	4
3	117-15	Nut, Fin Hex 3/8-16 Zinc	80
4	108-4C	Washer 13/32x1.375 Hi-Carb	16
5	101-35	Bearing, Ball UC206A-20	12
5a	101-41	Bearing, Ball UC206A-16	8
6	108-06	Lockwasher, 3/8" S/R, Zinc	82
7	103-88	C. Bolt, 3/8-16x1.00 GR5 Zc	30
8	605-99	Gasket, Flange	12
9	605-89	Gasket, Outer Bearing Flnge.	12
10a	605-63	Flange, Bearing - Outer	16
10b	101-20	Flange Assem., Bearing	12
11	102-14	Seal, Oil CR #12361	8
12	102-15	Seal, Oil CR #12379	8
13	605-97	Flange Assem, Outer (incl. Refs. 11 & 12)	8
14	112-39	C. Bolt, 3/8-16 x 1-3/4"	16
15	103-67	C. Bolt, 3/8-16x 6" GR2 Zc	16
16	810-36	Bearing Extension (uses Refs 17 & 18)	4
17	108-34	Washer, 7/16" SAE Zinc	24
18	103-81	HHCS, 7/16-20x2.5" GR5 Zc	24
19	103-80	Stud, Wheel 7/16-20 x 1.125 #B271, (see Refs 2421)	5x8
20	810-73	Axle Assembly - Front/Rear (incl. Ref. 19)	4
21	810-75	Axle Assembly - Mid (incl. Ref. 19)	4
22	810-45	Shaft, Idler - 11T	2
23	604-84	Frame Assem., Battery	1
24	810-28	Sprocket, Double - 24T	6
25	810-29	Sprocket, M/R Axle - 19T	8

Ref	Part No.	Description	Qty
26	112-03	SHSS 5/16-18x3/8 1/2 DOG, PL	10
27	803-17	Chain, Idler RC50-2 x 40P	2
28	117-61	Insert, 1/4-20 Avdel	4
29	112-31	HHCS 3/8-15x1.0 2B GR8	8
30	112-14	HHCS 3/8-16x..750 GR5 Zc	2
31	108-15	Washer 3/8 SAE Zinc	1
32	103-17	HHCS 3/8-16x1.00 GR5 Zc	2
43	603-17	Chain, RC50-2 x 42P - Front	2
44	603-20	Chain, RC50-2 x 70P - Mid	2
45	603-21	Chain, RC50-2 x 96P - Rear (Refs. 43, 44 & 45 incl. Ref. 53)	4
46	117-35	Nut, Wheel 7/16-20 - Zinc	5x8
47	125-26	Valve, Tire (see Ref. 48)	8
48	125-15C	Rim, Char 8x7-5 Bolt (incl. Ref 47)	8
49	126-96	Tire, Goodyear Runamuk 22x10-8, (see Refs 50 & 51)	8
50	126-98C	Tire & Rim Assem. - LH (incl. Refs 47, 48 & 49)	4
51	126-97C	Tire & Rim Assem. - RH (incl. Refs. 47, 48 & 49)	4
53	100-96	Con. Link, RC50-2 H.D.	1x 10
55	125-61	Spring, Tensioner	1x6
56	603-61	Slider Block	2x6
57	125-78	Spring, Spacer	1x6
58	603-77	Arm, Chain Tensioner - Upr	1x6
59	603-76	Arm, Chain Tensioner - Lwr	1x6
60	100-01	Pin, Cotter 1/8 x 1.50 Zinc	1x6
61	603-78	Pin, Pivot	1x6
62	603-66	Spacer, .500 ID x .625 LG	1x6
63	647-10	Chain Take-Up Replacement Kit (incl. Refs. 55 thru 62 as shown)	6

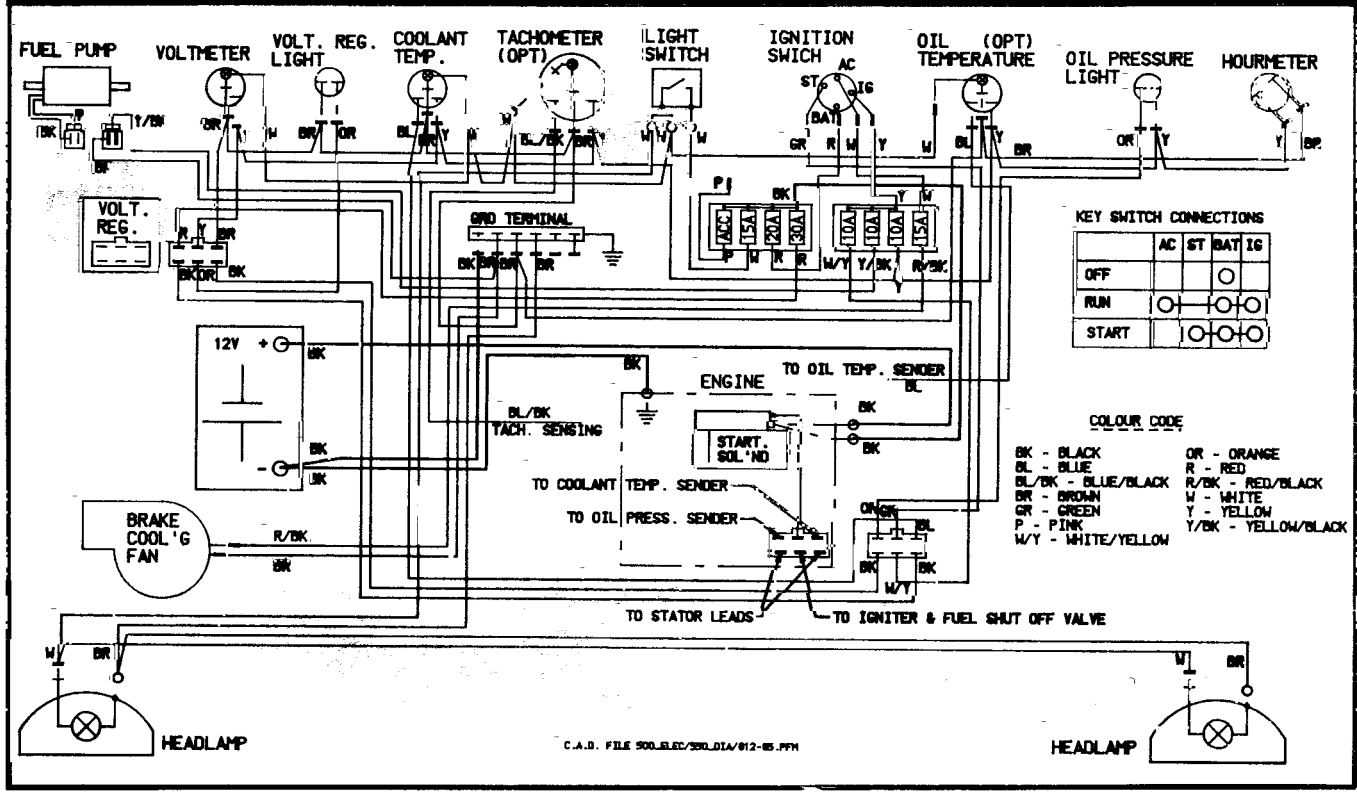
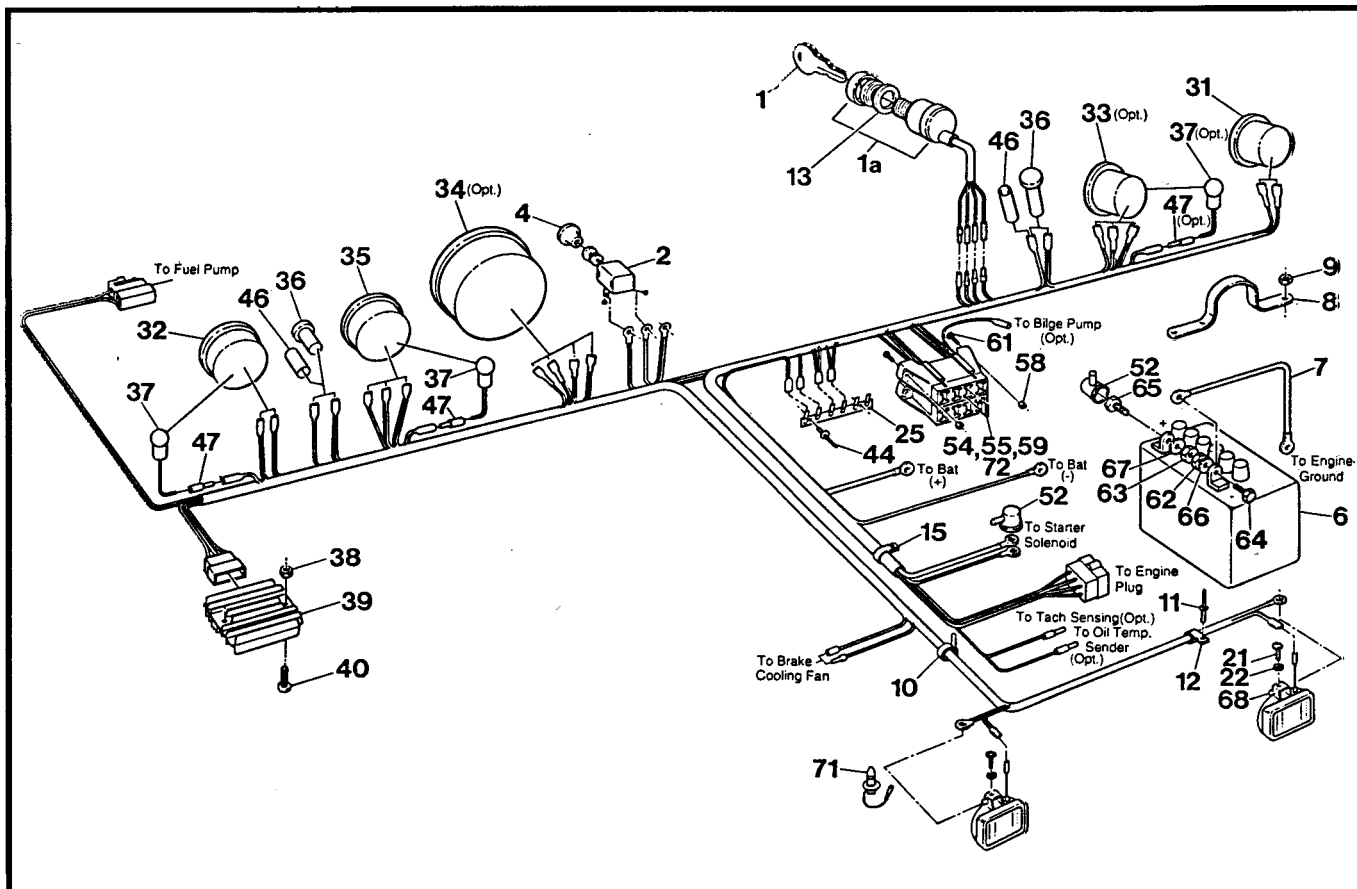
8.0 Fuel System and Seat Assembly



8.0 Fuel System and Seat Assembly

Ref	Part No.	Description	Qty	Ref	Part No.	Description	Qty
1	803-50	Handrail Assembly	1	21	608-42	Hose, Fuel - 110"	1
2	108-03	Lockwasher, Split Ring 1/4"	10	22	125-64	Filter, Fuel #G81-4	1
3	112-42	PHMS, PHIL 1/4-20x1.50 Zc	6	23	100-12	Clamp, Gear 2.25" HF-36	2
4	608-39	Back Pad Assembly	1	24	125-94	Hose, Filler	1
5	608-43	Seat, Bench	1	25	126-47	Fuel Neck Assembly	1
6	608-30	Angle, Left	1	26	126-46	Cap, Fuel	1
7	608-31	Angle, Right	1	27	127-21	Hose, Vent - 86"	1
9	103-08	HHCS, 1/4-20 x 1.00 Zinc	6	28	126-50	Connector, Male 1/4"	1
13	804-17	Frame Assem., Seat	1	29	126-94	Clamp, Nylon Wire, 1/4"ID	5
16	120-04	Washer .195IDx.50ODx.08Z	2	30	112-04	HHCS 1/4-20x3/4 GR2 Zinc	6
17	608-32	Tool Box	1	31	117-10	Locknut, Nylon #10-24 Zinc	14
18	608-28	Pickup Assem., Fuel	1	32	126-62	Clamp, Gear 1/4" 2-Ear	1
19	608-24	Tank, Fuel, (incl. Ref. 18)	1	33	126-93	Clamp, Nylon Wire, 1/2" ID	5
20	100-70	Clamp, Gear 1/2" HF-4	6	34	108-08	Washer 1/4 SAE Zinc	4
				35	120-09	Rivet, 3/16 x 1	7
				36	120-13	Rivet #U48151D Dome 0619	2
				37	702-06	Cushion, Foam	7
				38	117-54	Nut, Locking PAL 1/2-20 Zc	1
				39	112-07	RHMS, 10-24 x 1.25 Zinc	14
				40	108-42	Washer, .062x7/32 x 1 Zinc	14
				41	49040-2065	Pump, Fuel	1
				43	117-27	Locknut, Nylon 1/4-20 Zinc	2

9.0 Electrical System



C.A.D. FILE 900_BLED/390_DIA/812-85.PPT

9.0 Electrical System

Ref	Part No.	Description	Qty	Ref	Part No.	Description	Qty
1	100-39A	Key	1	44	120-15	Rivet, Blind SD45 BS	2
1a	127-17	Switch, Ignition-Conquest (incl. Ref. 1)	1	46	118-48	Heat Shrink, 2 x 1/2	2
2	100-62	Switch, Light	1	47	118-02	Terminal, Male-#76-1251	2
3	613-65	Wire Harness-Conquest (incl. Fuse Holders)	1	52	613-46	Terminal Insulator (2 ga.)	2
4	126-76	Knob, Light	1	54	118-53	Fuse, 20A 2 prong (AT020)	1
6	100-25	Battery, P-22NF245TL	1	55	118-49	Fuse, 15A 2 prong (AT015)	2
7	613-14	Wire, Ground - 14"	1	58	117-10	Locknut, Nylon #10-24 Zinc	4
8	604-52	Bracket, Battery Retaining	1	59	118-52	Fuse, 10A 2 prong (AT010)	3
9	117-21	Locknut, Nylon 5/16-18 Zinc	2	61	103-25	PHMS, #10-24x.750 Zinc	4
10	100-64	Tie Rap, 5.5" - Black	7	62	117-20	Nut, Fin. Hex 1/4-20 Zinc	1
11	120-09	Rivet 3/16x1	10	63	117-03	Nut, Fin. Hex 5/16-18 Zinc	1
12	126-93	Clamp, Nylon Wire -1/2" ID	16	64	112-04	HHCS, 1/4-20x3/4" GR2 Zc	1
13	108-57	Lockwasher 3/4" Int. Tth Zc	1	65	112-01	HHCS, 5/16-18x3/4"GR5Zc	1
15	127-24	Clamp, Nylon - 1" I.D.	4	66	108-08	Washer, 1/4" SAE Zinc	1
21	103-58	PHMS, PHIL M8x1.25 x20.0	2	67	108-24	Washer, 5/16" SAE Zinc	1
22	108-44	Lockwasher 5/16" Int. Tooth	2	68	126-33	Headlamp, Halogen #64771	2
25	613-37	Terminal Strip, Ground	1	71	126-34	Bulb, Headlight H3 12 Volt	2
31	632-15	Hourmeter, #56548-10 (#876EM)	1	72	118-51	Fuse, 30A 2 prong (AT030)	1
32	633-10	Voltmeter, #07583-15 (#830EM)	1				
33	634-25	Oil Temp. Kit (optional)	1				
34	634-02	Tachometer Kit	1				
35	634-16	Gauge, Coolant Temperature	1				
36	634-08	Light, Indicator	2				
37	634-10	Light Kit, #06215-00 5/8" dia., (see Ref. 32, 33)	2				
38	117-27	Locknut, Nylon 1/4-20 Zinc	2				
39	21066-2070	Regulator, Voltage	1				
40	103-63	PHMS, PHIL 1/4-20x1.0 Zc	2				

ARGO Products Manufactured by:

Ontario Drive & Gear Limited

P.O. Box 280, Bleams Road

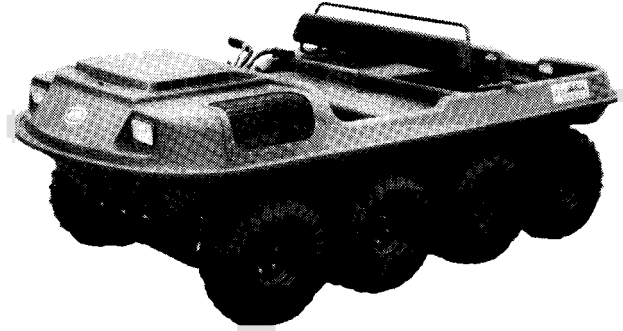
New Hamburg, Ontario

CANADA NOB 2G0

Phone: (519) 662-2840

Fax: (519) 662-2421

ODG *Dedicated to quality and performance*



ARGO

CONQUEST PARTS MANUAL

**Model Nos. V894-37 &
V894-38**

From Serial #CB10847

Foreword

ODG has prepared this parts manual for the **CONQUEST** Models to assist both qualified mechanics and vehicle owners in ordering correct, quality replacement **ARGO** parts.

Proper and regular service, and replacing old, worn or broken parts with the correct **ARGO** replacement parts, are both essential to prolonging the life of the **ARGO**. Please refer to this parts manual before ordering any replacement part.

All information contained in this **CONQUEST** Parts Manual is based on the latest product specification available at time of printing. If your **CONQUEST** differs from the specifications contained in this manual, **contact Ontario Drive & Gear Limited for information.**

ODG reserves the right to alter specifications on the **CONQUEST** models at any time, without obligation or prior notification.

Reproduction of the **CONQUEST Parts Manual No. 894-37** in whole or in part, is prohibited without prior written permission from **Ontario Drive & Gear Limited.**

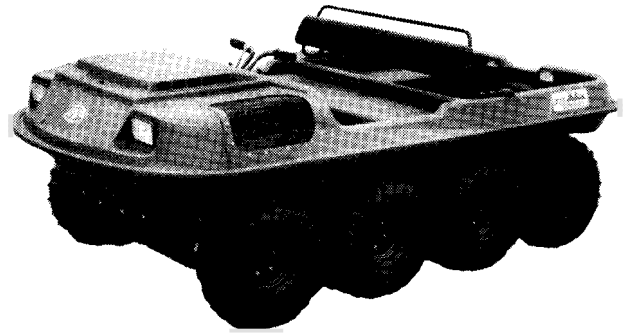
Model Identification

CONQUEST - Model Nos. V894-37 and V894-38

Explanation of Parts Manual Format

Reference Number between Assembly Diagram and Component Parts List

- Part No.** - Argo replacement part number for identification and re-ordering
- Description** - Part Description for identification and re-ordering
- Indicates the quantity of a part used in an Assembly

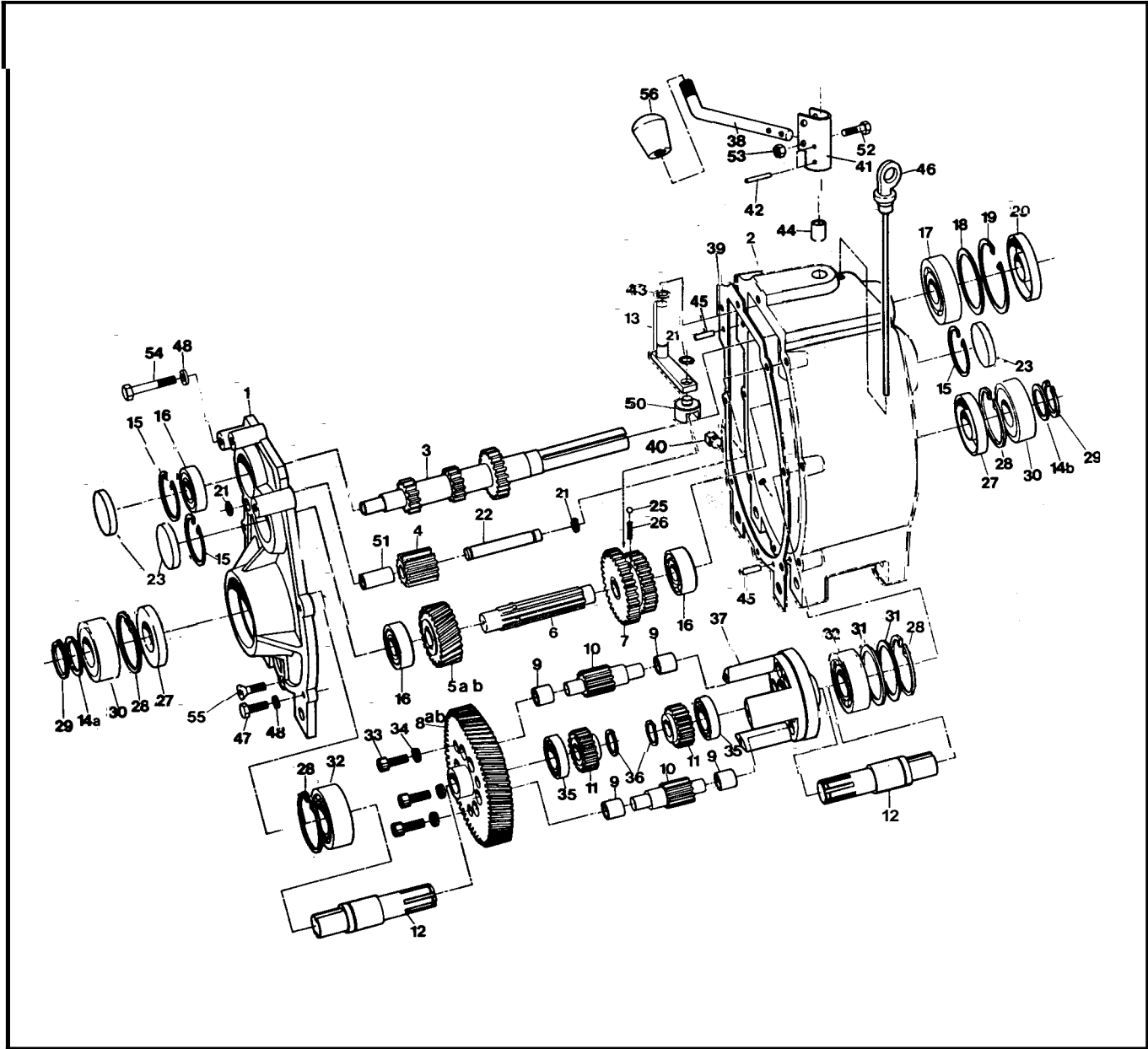


Using the Parts Manual

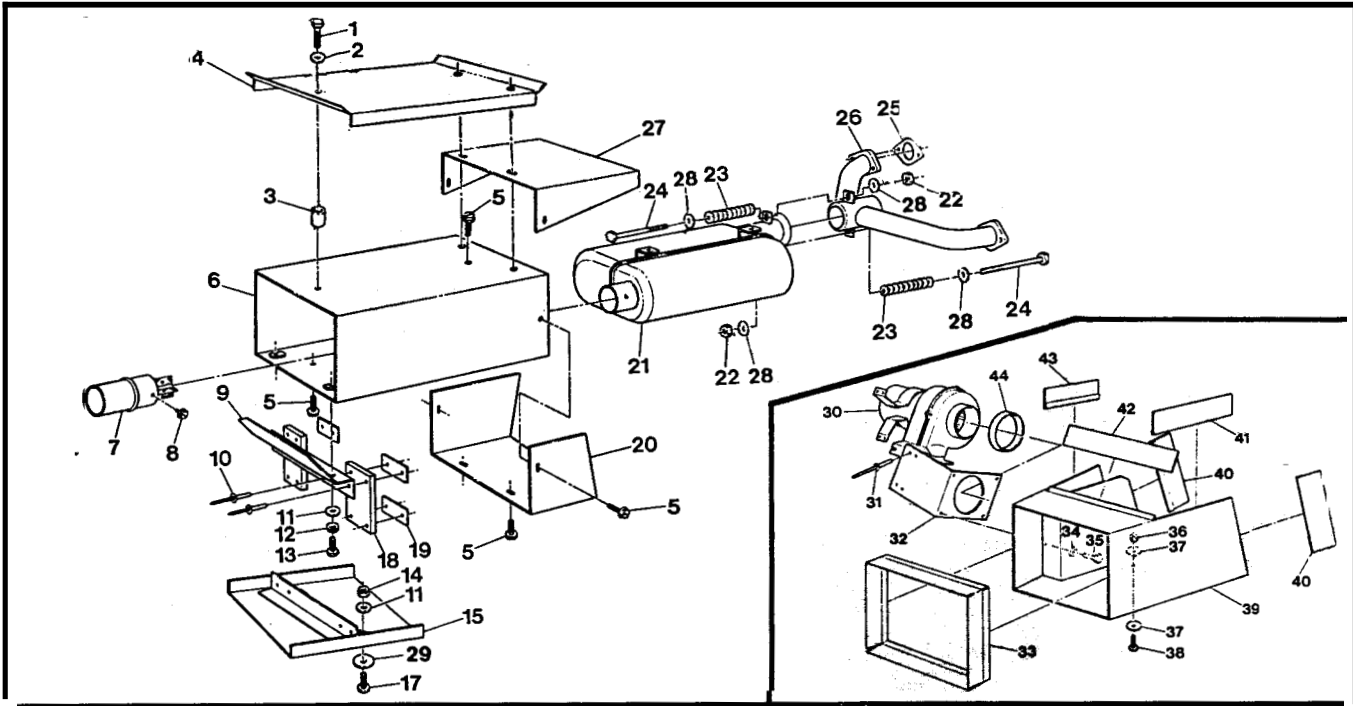
- 1 Find the major vehicle assembly in the Table of Contents on this page, and turn to that section.
2. Locate the part in the illustration that you wish to order.
3. Refer to the parts list in that section.
4. Find the correct part number (Part No.), part description (Description) and correct quantity (Qty).
5. Use *only* this information to order **ARGO** replacement parts. **DO NOT** attempt to order a replacement part by Ref number or Page number.

Table of Contents

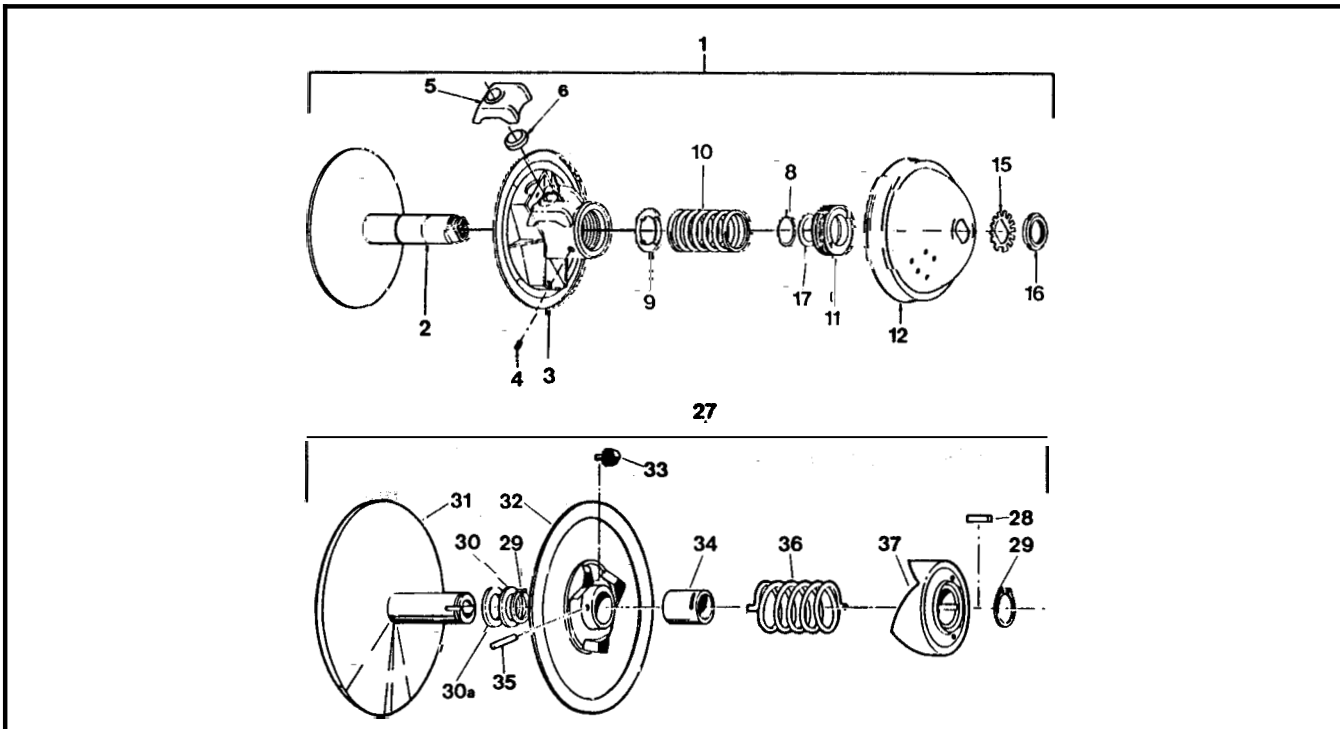
Foreword.....	.i
Model Identification.....	i
Using the Parts Manual.....	ii
1.0 Transmission.....	1
2.0 Intake and Exhaust System.....	3
3.0 Clutch System.....	3
4.0 Power Pack Assembly.....	5
5.0 Brake System - Hydraulic.....	7
6.0 Vehicle Body & Firewall.....	9
7.0 Frame & Drive System.....	11
8.0 Fuel System & Seat Assembly.....	13
9.0 Electrical System.....	.15



Ref	Part No.	Description	Qty			Description	Qty
	610-17MU	Transmission Asm - MU , does not include Refs 38, 52 53 & 56		26	34-32	Spring, Compression - 7/32 x .50	1
		uses Refs 5a & 8a		27	102-03	Seal, Oil WBS 30x72x10	2
	610-17GU	Transmission Asm - GU , does not include Refs 38, 52 53, & 56		28	106-03	Retaining Ring #5000-281P	4
		uses Refs 5b & 8b		29	107-02	Retaining Ring N1400-118	2
1	34-68	Cover, Transmission	1	30	101-05	Bearing, Ball 6306-2NSLC	2
2	34-99	Housing, Transmission	1	31	114-01	Washer, Shim .020x2.25x2.8 1	2
3	34-21	Shaft , Input - 13/21T	1	32	101-03	Bearing, Ball 6207-C 3	2
4	34-16A	Gear Idler - 13T (incl. Ref 51)	1	33	103-04	SHCS, 5/16-18 x 1.00 PL	3
5a	34-95	Gear, Helical - 24T (MU)		34	108-02	Lockwasher, Hi-Collar 5/16, PL	3
5b	34-95	Gear, Helical - 21T (GU)	1	35	101-15	Bearing , Ball 6005-C 3	2
6	34-94	Shaft , Spline (all U)	1	36	107-04	Retaining Ring N1400-98	2
7	34-91	Gear, Double - 26/33 T	1	37	34-08	Cage	1
8a	34-22	Gear Plate - 73T (M)	1	38	610-67	Shift Lever Rod	1
8b	34-45	Gear Plate - 76T (G)	1	39	34-47	Gasket, Cover - 1/64" Thk	1
9	105-03	Bushing, Oilite -AA650	12	40	103-02	Plug, Magnetic 3/8-18 NPT	1
10	34-12	Gear, Planet -12 T	6	41	34-86	Holder, Shift Lever	1
11	34-14	Gear, Sun - 21 T	2	42	111-01	Pin, Spirol 5/32 x 1.00	2
12	34-81	Shaft, Output	2	43	113-01	O-Ring 012-7147	1
13	34-65	Shifter Assem.	1	44	105-02	Bushing, Oilite - AA628	1
14a	114-04	Washer, Shim .040 Thk	1	45	104-03	Pin , Dowel 1/4" x 7/8" long	2
14b	114-05	Washer, Shim .020 Thk	1	46	34-77	Dipstick, with breather	1
15	106-01	Retaining Ring #5000-187P.	3	47	103-06	HHCS 5/16-18x1.00 GR5 Zinc	4
16	101-01	Bearing, Ball 62042-C 3	3	48	108-05	Lockwasher 5/16 Zinc	7
17	101-16	Bearing, Ball 6206-C3	1	50	34-63	Shift Yoke	1
18	114-02	Washer, Shim 2.062	1	51	105-05	Bushing, Oilite - AA650-3 (in Ref.4)	1
19	106-05	Retaining Ring N1300-244	1	52	103-97	HHCS 1/4-20x1.25 GR5 Zc	1
20	102-05	Seal, Oil WBS 30x62x10	1	53	117-27	Locknut, Nylon 1/4-20 Zinc	1
21	107-05	Retaining Ring N1400-50	3	54		See Section 4.0	
22	34-11	Pin, Dowel 1/2 x 3.50	1	55	103-95	FHSC 5/16-18x1.0 GR8 Zinc	1
23	31-07	Plug plate	3	56	.26-38	Knob, Shift	1
25	109-05	Ball, Steel 6mm 62-67 Rc	1				



3.0 Clutch System



Conquest Parts Manual

2.0 Intake and Exhaust System

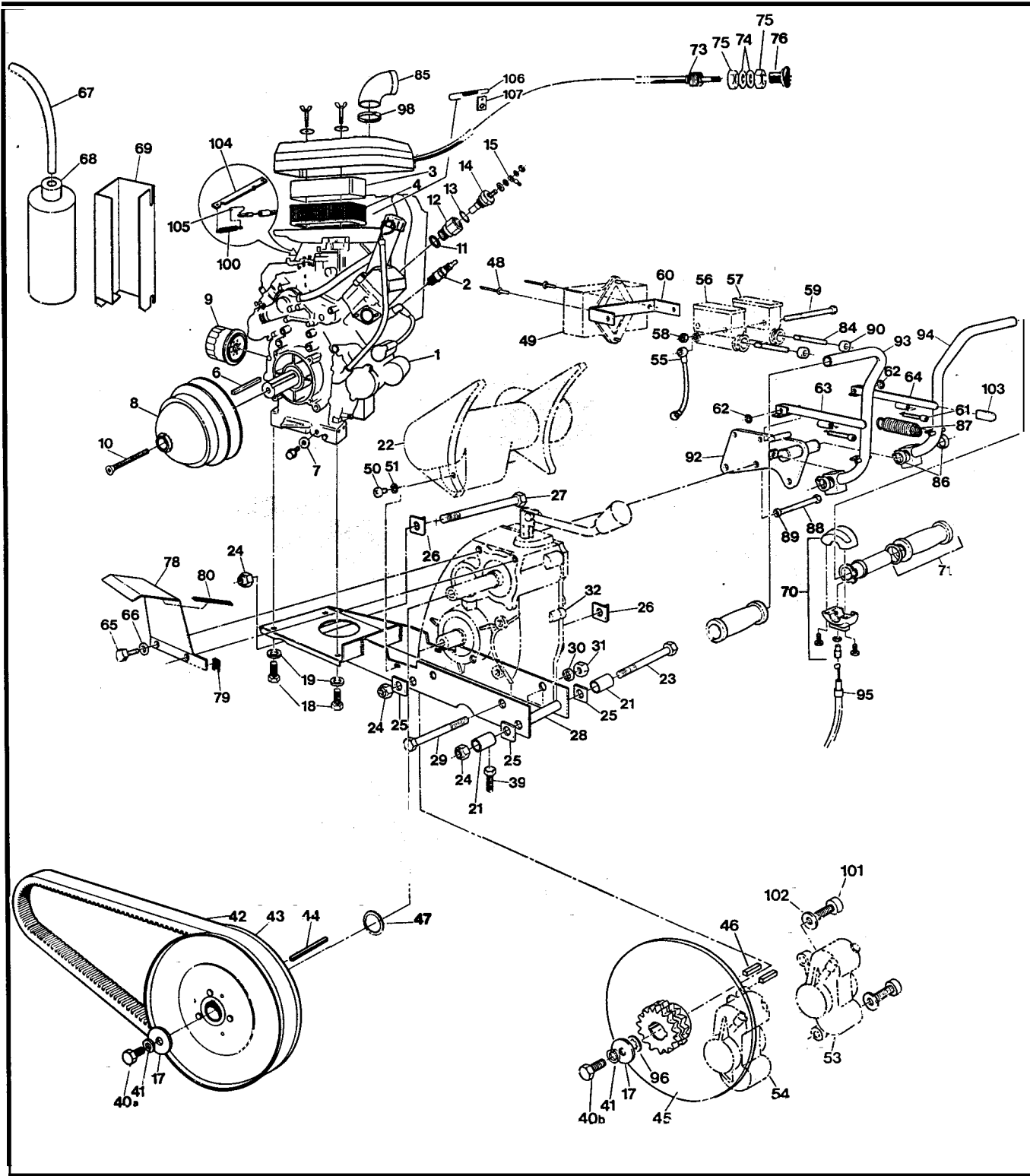
Ref	Part No.	Description	Qty
1	103-08	HHCS 1/4-20x1.00 GR5 Zc	3
2	108-03	Lockwasher, 1/4 Split Ring	3
3	807-71	Spacer	3
4	807-72	Shield, Heat	1
5	103-11	Screw, IHWH Slot 1/4-20x.50	7
6	807-41	Shield Assem., Muffler	1
7	807-64	Pipe Assem., Tail	1
8	112-43	Screw	1
9	807-43	Support, Upper	1
10	120-09	Rivet 3/16x 1	8
11	108-08	Washer 1/4 SAE Zinc	4
12	108-03	Lockwasher, 1/4 Split Ring Z	2
13	112-04	HHCS 1/4-20x3/4 GR2 Zinc	2
14	117-27	Locknut, Nylon 1/4-20Zinc	2
15	807-49	Support, Lower	1
17	103-63	PHMS, PHIL 1/4-20x1.0 Zc	2
18	126-07	Support, Flex	2
19	807-69	Washer, Special	4
20	807-70	Cover, Lower	1
21	807-42	Muffler Assem. - Conquest	1
22	117-25	Nut, Conelock 5/16-18	2

Ref	Part No.	Description	Qty
23	100-10	Spring, Compression	2
24	112-18	SHCS, 5/16-18x2.25" PL	2
25	11060-2079	Gasket, Muffler	2
26	807-66	Manifold Assem.	1
27	807-38	Cover, Manifold	1
28	108-24	Washer, .34x.70x.06 Zc	4
29	108-01	Washer, Fender 1/4BSx1.25OI	2
30		See Section 5.0	
31	120-13	Rivet 3/16x5/8	4
32	807-68	Bracket Assem., Fan	1
33	603-87	Seal, Radiator	1
34	108-03	Lockwasher, 1/4 Split Ring Z	4
35	112-04	HHCS 1/4-20x3/4 GR2 Zinc	4
36	117-27	Locknut, Nylon 1/4-20Zinc	3
37	108-01	Washer, Fender 1/4BSx1.25	6
38	103-63	PHMS, PHIL 1/4-20x1.0 Zc	3
39	807-35	Duct Assem., Intake	1
40	603-88C	Seal 9.62"	2
41	603-88B	Seal 8.49"	1
42	603-88D	Seal 11.66"	1
43	603-88A	Seal 7.09"	1
44	602-33	Vinyl Trim 9.8"	1

3.0 Clutch System

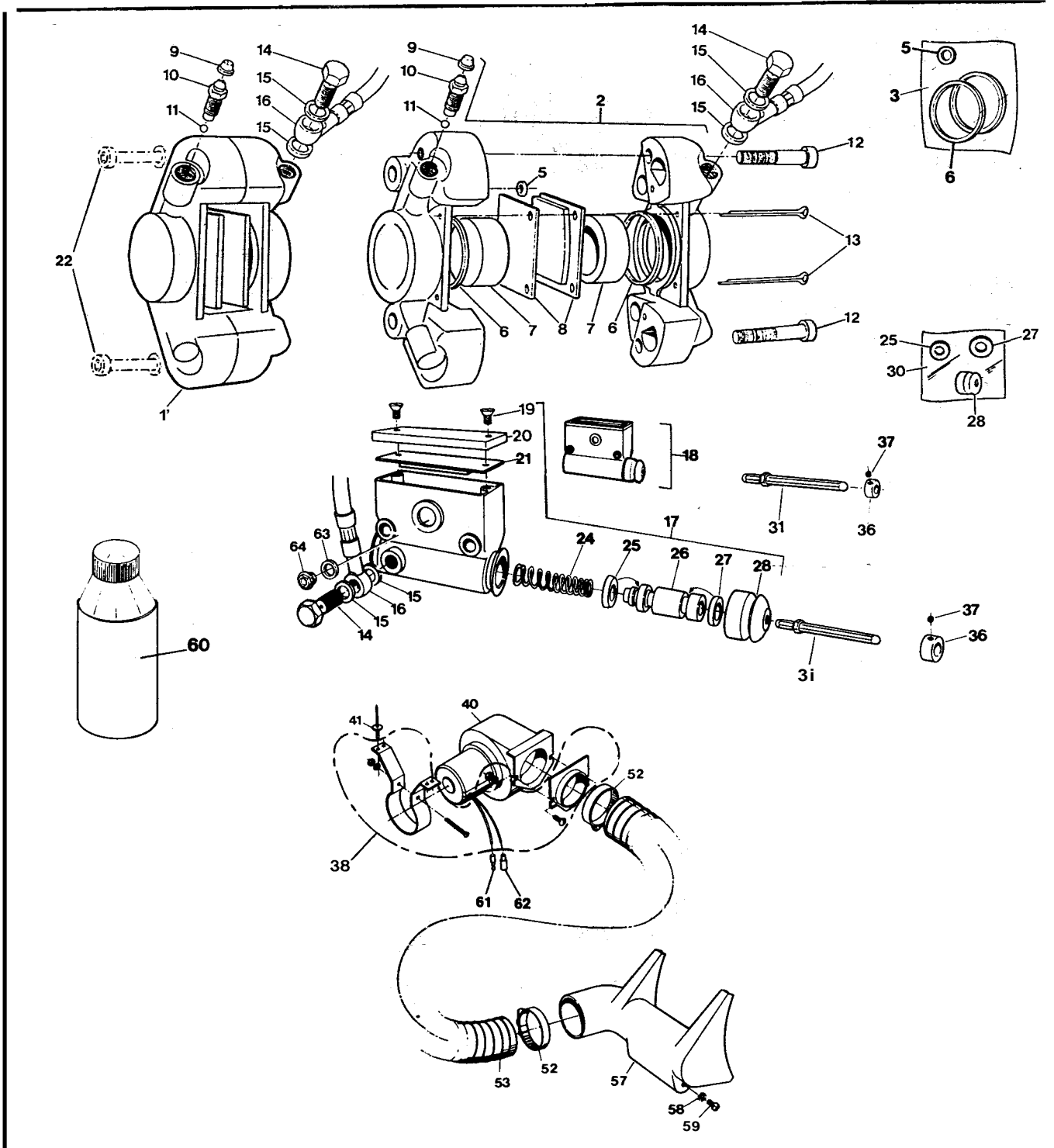
Ref	Part No.	Description	Qty
1	127-20	Clutch, Driver - Keyed (incl. Refs 2 to 17) PO DB0003	1
2	VO IMCI IF	Pulley, Half - Fixed	1
3	V023F	Pulley, Half - Sliding	1
4	V046	SHSS (use Loctite 242)	1
5	V05BCR	Block, Red	3
6	C13-266	Weight	3
8	V08C	Retaining Ring	1
9	V09	Spring Guide Plate	1
10	V10-48-		
	105-18	Spring, Blue	1
11	V111	Bushing, Threaded	1
12	V1203A	Cap, Type " A	1
15	V15	Lockwasher	1
16	V16	Locknut	1
17	X-35-M	Spacer	1

Ref	Part No.	Description	Qty
27	126-24	Clutch, Driven Model "B" SOD B0001 (incl. Refs 28 to 37)	1
28	ASK-5	Key 1/4x1/4x3/4	1
29	ASR-6	Retaining Ring N1400-150	2
30	ASA-1-S	Spacer .025" Thick	as req
30a	ASA-1	Spacer .050" Thick	as req
31	AFK25.4- 2500D01	Pulley, Fixed - Half	1
32	CMC-2- 2500D01	Pulley, Sliding - Half (incl. Refs. 34 & 35)	1
33	ANS-2-T	Shoe, Cam	3
34	AMB-2	Bushing, Bronze	1
35	CCP-2-156	Pin, Spirol	1
36	ACS-3-188	Spring, Blue	1
37	AFC-4- C3D4	Cam, 2-Way Aluminum	1

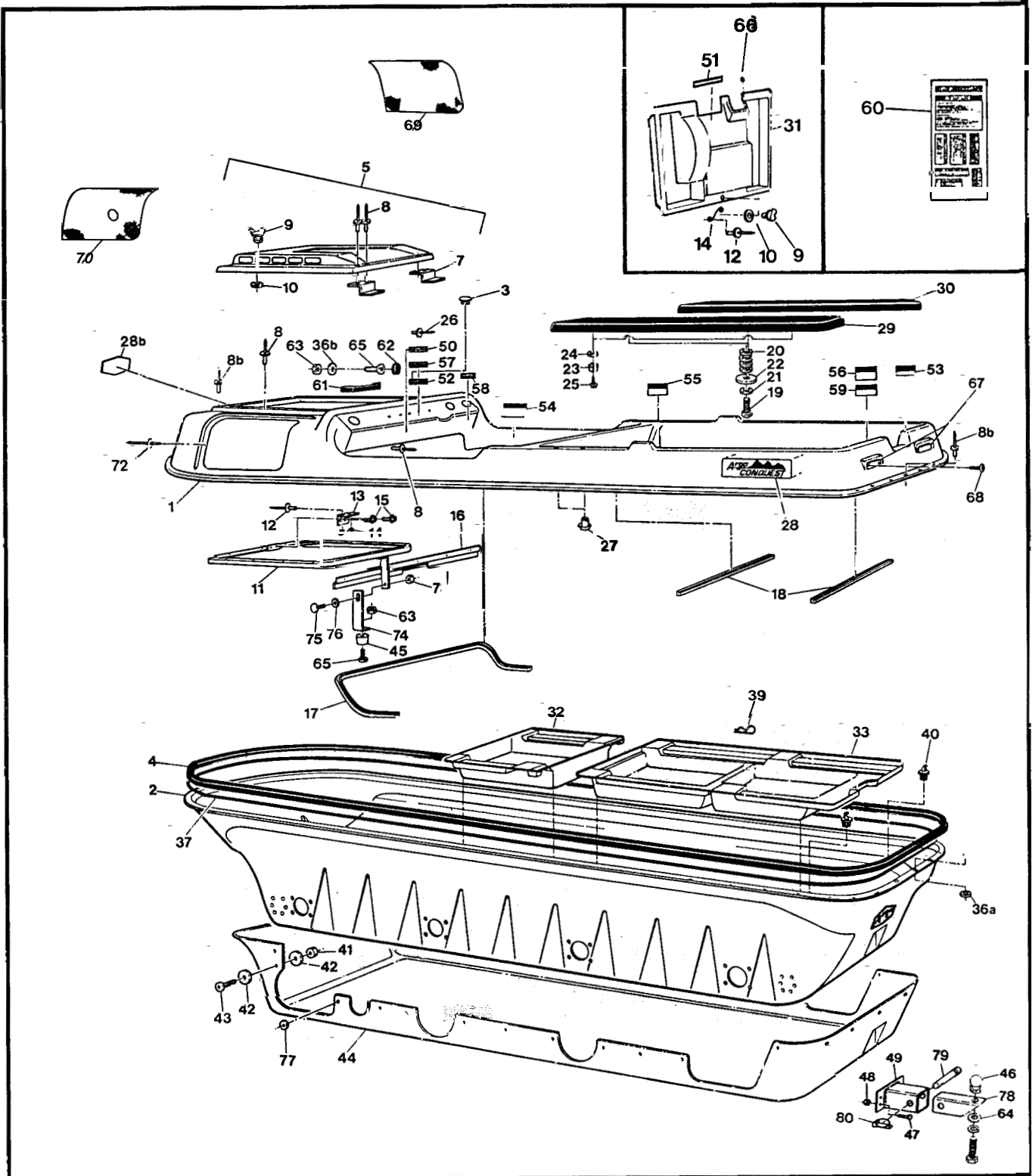


Ref	Part No.	Description	Qty
1	127-10	Engine - Kawasaki, FD620-ASO-8 (incl. Refs. 2, 3, 4, 7, 9, 11, 49, Exhaust Gasket, Regulator, and Fuel Pump)	1
2	92070-2072	Sparkplug, BMR4A	2
3	11013-2114	Element, Air Filter	1
4	11013-2139	Element, Air Filter	1
6	110-13	Key 1/4x1/4x2.25	1
7	11009-2566	Gasket, Drain Plug	1
8		See Section 3.0	
9	49065-2071	Filter, Oil	1
10	112-23	FHSC M10x1.5x100mm PL	1
11	11009-2765	Gasket	1
12	634-19	Adaptor, Sender	1
13	634-20	Washer, Fibre	1
14	634-17	Sender, Coolant Temperature	1
15	118-50	Terminal, Blade #06871-00	1
17	108-18	Washer, 13/32x1.375x11GA	3
18	112-24	HHCS M8x1.25x18mm Zc	4
19	108-05	Lockwasher 5/16 Zinc	4
21	811-14	Spacer	2
22		See Section 5.0	
23	103-37	HHCS 5/8-18x10.00 GR5 Zc	1
24	117-56	Locknut, Nylon 5/8-18 Zinc	3
25	811-09	Washer, Square, .64ID	3
26	811-10	Washer Asm, Square	2
27	103-52	HHCS 5/8-18x7.50 GR5 Zc	2
28	811-30	Frame, Powerpack - Conq.	1
29	103-20	HHCS 1/2-13x6.50 GR5 Zc	2
30	108-07	Lockwasher 1/2 Zinc	2
31	117-06	Nut, Fin Hex 1/2-13 Zinc	2
32		See Section 1.0	
39	103-53	HHCS 3/8-16x3.0 Full thread	2
40a	103-34	HHCS 3/8-16x1.25 GR5 Zc	1
40b	103-18	HHCS 3/8-24x1.25 GR5 Zc	2
41	108-06	Lockwasher, 3/8 S/R, Zinc	3
42	125-56	Drive Belt	1
43		See Section 3.0	
44	110-09	Key 1/4x1/4x3.0	1
45	810-01	Brake Disc #50-2x13T	2
46	110-14	Key 1/4x1/4x1.25	4
47	108-36	Washer .06x1.00x1.375 Zinc	as req
48	120-13	Rivet 3/16x5/8	2
49	21119-2120	Igniter	1

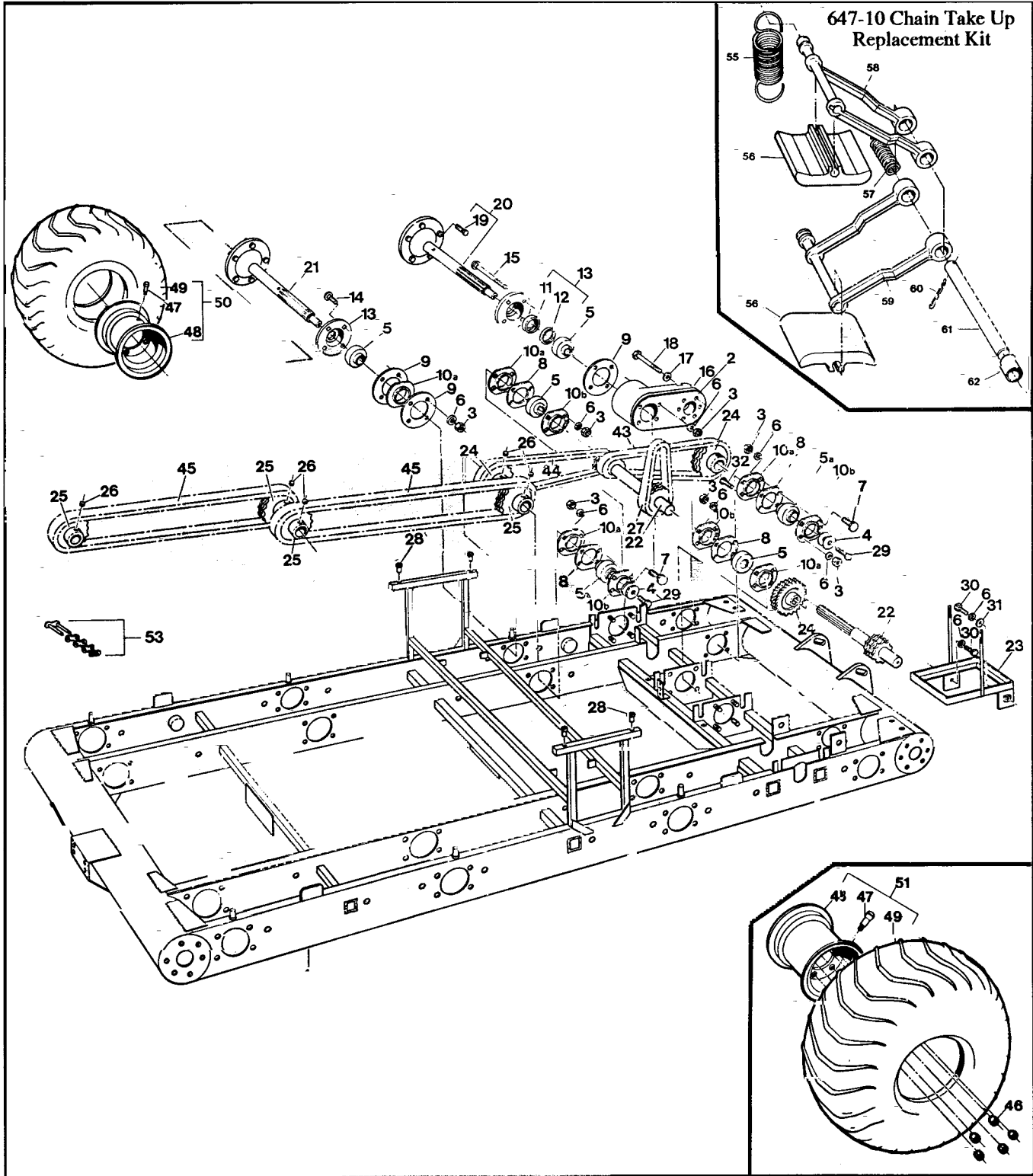
Ref	Part No.	Description	Qty
50 to		See Section 5.0	
57			
58	117-27	Locknut, Nylon, 1/4-20 Zinc	2
59	103-66	HHCS 1/4-20x4.00 GR5 Zc	2
60	610-75	Bracket, Igniter	1
61	103-69	SHCS 1/4-20x1.50 Zinc	2
62	113-02	O-Ring #106-7147	2
63	810-20	Lever Assem., Brake - LH	1
64	810-21	Lever Assem., Brake - RH	1
65	103-17	HHCS 3/8-16x1.00 GR5 Zc	2
66	108-26	Washer 3/8 Zinc	2
67	127-15	Hose, Auxiliary Tank	1
68	127-16	Bottle, Auxiliary Tank	1
69	127-14	Holder, Auxiliary Tank	1
70	100-57	Throttle Twist Grip	1
71	127-23	Grips, Foam	2
73	612-91	Cable Assm., Choke (incl. 75)	1
74	108-24	Washer 5/16 SAE Zinc	2
75		Jam Nut (Part of 73)	1
76	126-75	Knob, Choke - Black	1
78	603-29	Guard, Belt Protect	1
79	601-92	Vinyl Trim - 1.5"	1
80	601-93	Vinyl Trim - 4.25"	1
84		See Section 5.0	
85	127-32	Duct Intake, Conquest	1
86	106-07	Retaining Ring N1400-75	4
87	127-33	Spring, Extension - Strg Lever	2
88	103-55	HHCS 5/16-18x2.75 GR5 Zc	3
89	108-05	Lockwasher 5/16 Zinc	3
90		See Section 5.0	
92	812-01	Bracket Asm, Steering	1
93	812-19	Lever Asm, Steering - LH	1
94	812-18	Lever Asm, Steering - RH	1
95	612-90	Cable Asm, Throttle - Conq.	1
96	108-47	Washer .125x.39x.94 Zinc	2
98	92170-2075	Clamp	1
100	127-11	Spring, Return	1
101	103-41	SHCS, 3/8-16x1.25 Zinc	4
102	108-23	Washer 3/8 SAE GR8 - Dich.	4
103	126-89	Cap, Vinyl - Black	2
104	127-12	Bracket, Spring	1
105	127-13	Swivel	1
106	127-30	Spring	1
107	601-86	Clip, Retainer	1



Ref	Part No.	Description	Qty	Ref	Part No.	Description	Qty
1	166-05	Caliper Asm, Brake - L (incl. Refs 5 to 13)	1	38	125-92	Adpt. & Mounting Kit - includes the following:	1
2	166-06	Caliper Asm, Brake - R (incl. Refs 5 to 13)	1			Mounting Bracket	1
3	161-01	O-Ring Kit, Caliper (incl. Refs 5 & 6)	2			Nut, #10-32	1
5		Seal, Rubber-5mm (see Ref 3)	1			Lockwasher, 3/16	1
6		Seal, Piston-41mm (see Ref 3)	2			Screw, #10-32 x 2"	1
7	168-05	Piston 41mm	2x2			Nut, 1/4-20	2
8	170-02	Brake Pad Set(4) - Metallic	1			Lockwasher, 1/4"	2
9	168-20	Plug, Rubber	1x2			Screw, 1/4-20x 5/8"	2
10	168-03	Screw, Bleeding M10x1.0	1x2	40	125-91	Blower Fan	1
11	168-04	Ball, Check - 7/32 Dia.	1x2	41		See Section 20	
12	160-41	SHCS M10x1.5x50mm Zinc	1x2	52	125-35	Clamp, Gear 3.50" HF-52	2
13	168-06	Pin, Cotter M3.2x50mm	1x2	53	127-06	Hose , Intake 3" dia. x 26"	1
14	160-44	Bolt, Banjo-M10x1.0x 21.0 zinc	4	57	126-36	Brake Cool Air Duct	1
15	160-01	Washer, Copper - 1.5x10.0x 14.0	8	58	108-56	Lockwasher 1/4Ext. Tooth 2	2
16	163-01	Hose Asm, Hydraulic-300mm	1x2	59	103-96	PHMS, Phil 1/4-20x5/8 Zinc	2
17	165-06	Master Cylinder, (incl. Refs 19 to 21, 24 to 28, 63 & 64)	1	60	126-19	Fluid, Brake-Silicon Dot 5 - .35L	
18	165-05	Master Cylinder, (incl. Refs 19 to 21, 24 to 28, 63 & 64)	1	61	118-02	Terminal, Male-#76- 1251	1
19	160-42	FHMS M5x0.8x6mm	2x2	62	118-03	Terminal, Female - #76-1289	1
20	168-08	Cover	1x2	63	160-03	O-Ring, Oil Window	x2
21	168-09	Cover, Rubber	1x2	64	168-14	Oil Window, Mstr. Cylinder	x2
22		See Section 4.0					
24	162-02	Spring, Return	1x2				
25		Seal, Primary, 19mm (See Ref. 30)	1x2				
26	168-10	Piston 19mm dia.	1x2				
27		Seal, Secondary, 19mm (See Ref. 30)	1x2				
28		Boot, Rubber, (See Ref. 30)	1x2				
3c	161-25	O-Ring Kit-Master Cylinder (incl. Refs 25, 27 & 28)	1x2				
31	812-13	Pin Asm, Plunger-Adjustable	2				
36	812-17	Pin Stop	2				
37	112-02	SHSS 10-24x1/4 Cone PT,Pl	4				

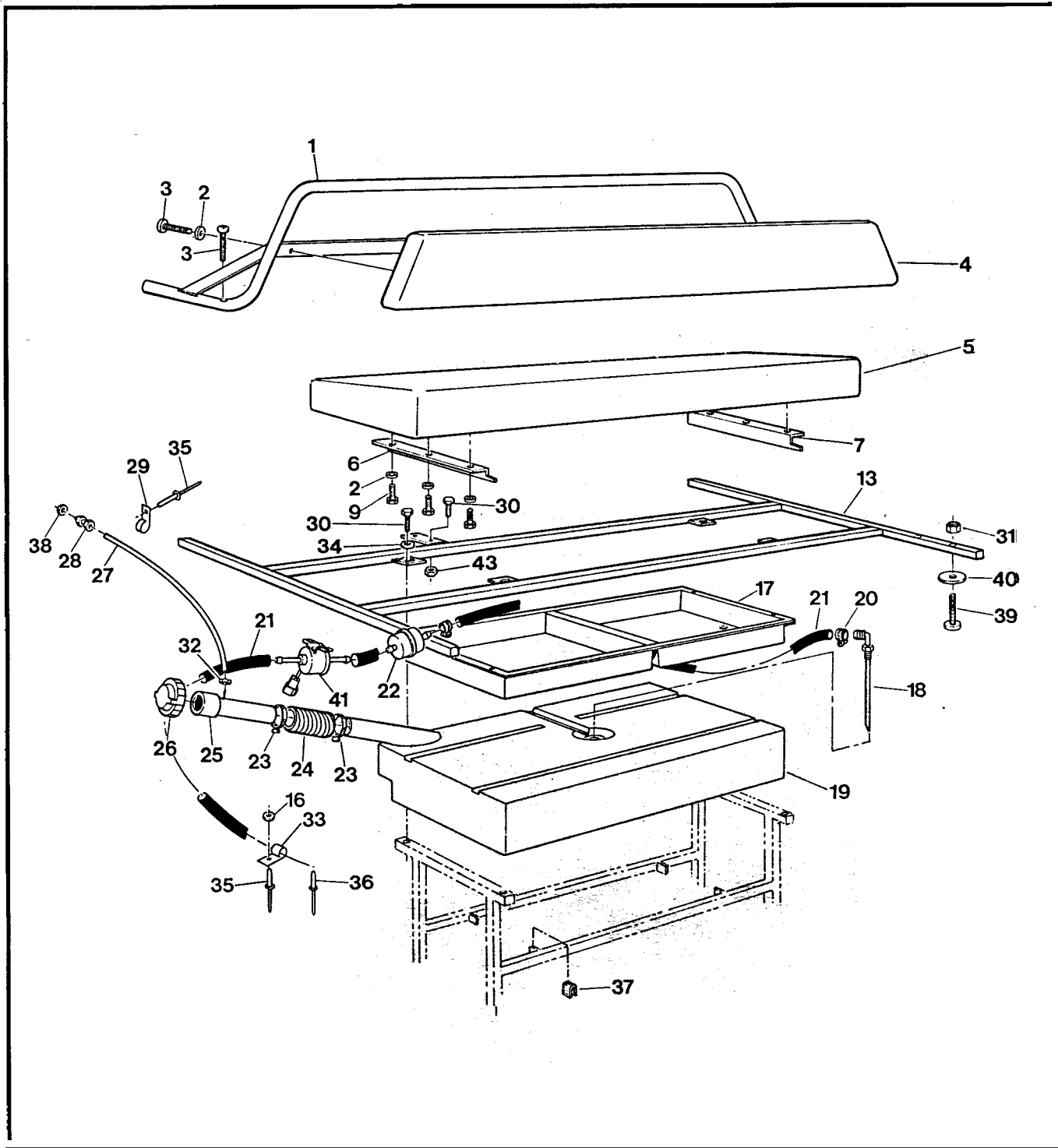


Ref	Part No.	Description	Qty	Ref	Part No.	Description	Qty
1	801-42	Body, Upper - Conquest, (specify colour) (incl. Ref. 11, 12, 13, 14, 15, 5)	1	39	100-16	Clip, Hitch Pin 1.625 Zinc	6
2	801-43	Body, Lower - Conquest (specify colour)	1	40	100-18	Plug, Drain 5/8"x13/32"	2
3	127-28	Plug, Nylon - Black	1	41	117-27	Locknut, Nylon 1/4-20 Zinc	32
4	801-05	Bumper, Vinyl - 8x8	1	42	108-01	Washer, Fender 1/4 BSx1.25	44
5	602-34	Hood Asm., - Conquest, (specify colour)	1	43	103-63	PHMS, PHIL 1/4-20x1.0 Zc	32
7	602-28	Hinge Clip, Hood	2	44	863-11	Skid Plate, 8x8 - Black	1
8	120-13	Rivet 3/16x5/8	25	45	126-88	Bumper, Rubber	1
8b	120-09	Rivet 3/16x1	63	46	100-61	Coupler Ball (c/w Bolt+Wshr)	1
9	126-10	Wing Stud	2	47	103-61	HHCS 3/8-24x1.50 GR5 Zc	4
10	126-09	Grommet, Alum. #GH-7	2	48	117-24	Locknut, Nylon 3/8-24 Zinc	4
11	602-24	Frame Assem., Hood	1	49	616-16	Hitch Assembly	1
12	120-15	Rivet 1/8x7/16	4	50		Vehicle ID Plate, Alum.	1
13	601-69	Spring Plate	1	51	126-65	Plate, Shifting	1
14	126-11	Spring	2	52	127-26	Plate, Steering Lever+Winch	1
15	103-72	Screw, IHWH T/C Slot 1/4-20 x 3/4"	2	53	126-67	Plate, Floor Pan	1
16	602-29	Brace, Dash	1	54	126-68	Plate, Operation	1
17	601-08	Trim, Vinyl 84"	1	55	126-69	Plate, Fuel	1
18	601-09	Trim, Vinyl 28"	2	56	126-70	Plate, Vehicle Capacity	1
19	112-04	HHCS, 1/4-20x3/4" GR2 Zc	4	57	126-72	Plate, Holding Brake	1
20	108-25	Washer, Plate 1/4 Zinc	16	58		U.S. Plate, Non-U.S. Argos only	1
21	108-03	Lockwasher, 1/4 Split Ring	4	60	126-73	Decals, French Language (incl. 50 to 58 available as set only)	1
22	801-41	Washer, Seat	4	61	125-41	Handle, Dash (incl. 62)	1
23	126-79	Bumper, Plastic - Black	4	62		Plug cap, (avail. only with 61)	2
24	120-05	Washer .195x.50x.040 Zinc	4	63	117-10	Locknut, Nylon #10-24 Zinc	3
25	103-45	Screw, IHWH D+T #10-3/4" Zinc	4	64	108-53	Washer, 3/4x1.5x.125 SAE	1
26	120-24	Rivet, 3/16x3/8 Alum. (all plates)	22	65	103-25	PHMS #10-24x.750 Zinc	3
27	117-44	T-Nut 1/4-20 PL	4	66	125-84	Grommet, Rubber	1
28	127-27	Nameplate - Conquest	2	67	127-01	Reflector, Red	2
28b	601-44	Nameplate - Argo	1	68	103-48	Pan HD PHIL T/S #10x5/8	4
29	801-03	Seat, Rear LH, 8x8	1	69	807-73	Screen, Intake - Conquest	1
30	801-02	Seat, Rear RH, 8x8	1	70	807-74	Screen, Exhaust - Conquest	1
31	609-33	Firewall - Conquest	1	72	120-11	Rivet - 5/32 x 9/16	28
32	803-02	Floor Pan - Frnt - (specify clr)	1	73	117-15	Nut, Fin Hex 3/8-16 Zinc	1
33	803-03	Floor Pan - Rear - (specify clr)	1	74	602-27	Support, Adjustable	1
36a	120-04	Washer .195IDx.500Dx.080	57	75	103-89	C/Bolt 3/8-16x.75 GR2 Zinc	1
36b	120-05	Washer .195IDx.50x.040 Zc	2	76	108-06	Lockwasher, 3/8 S/R, Zinc	1
37	126-60	Seal, Vinyl 1/2"x1/4"x37.5'	1	77	108-08	Washer 1/4 SAE Zinc	2
				78	616-19	Tube, Hitch - Insert	1
				79	104-13	Pin, Top Link	1
				80	104-11	Pin, Lynch	1



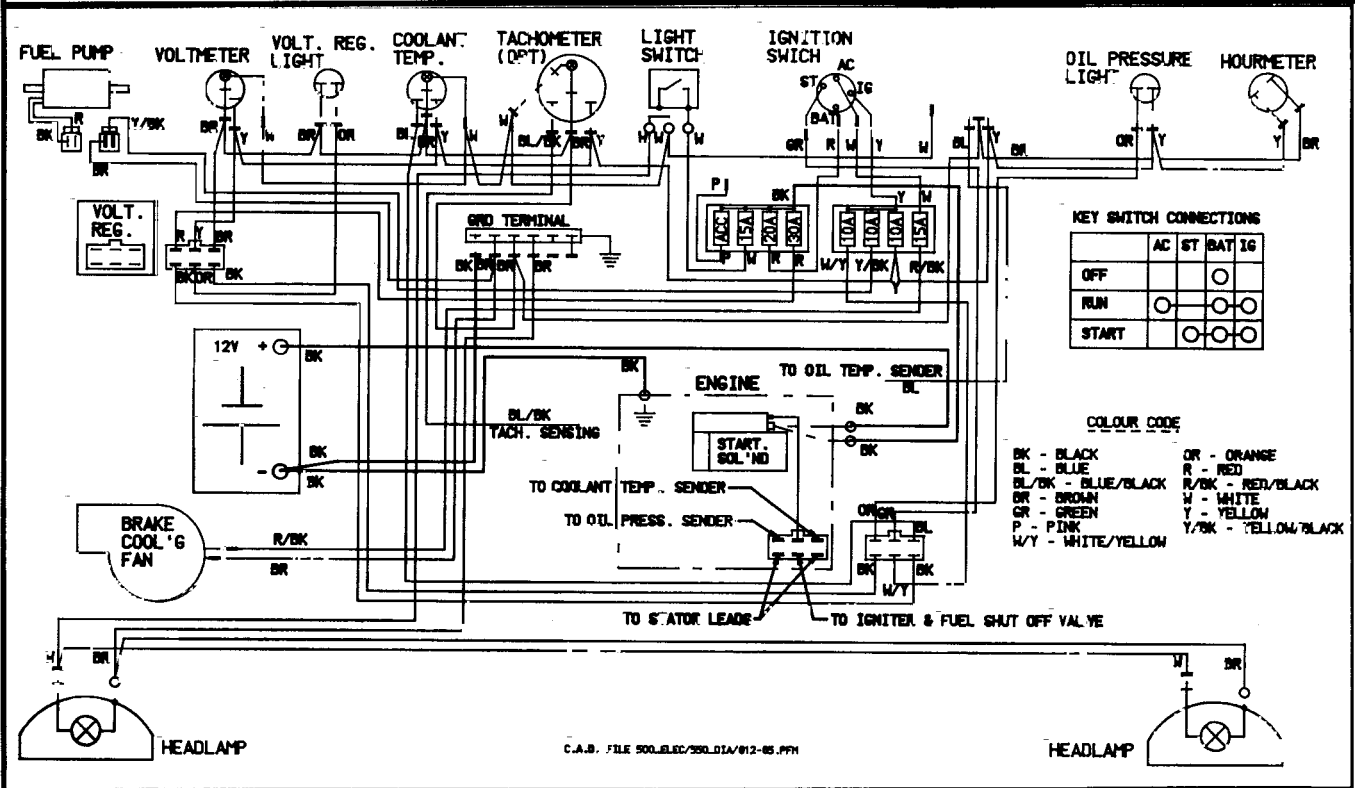
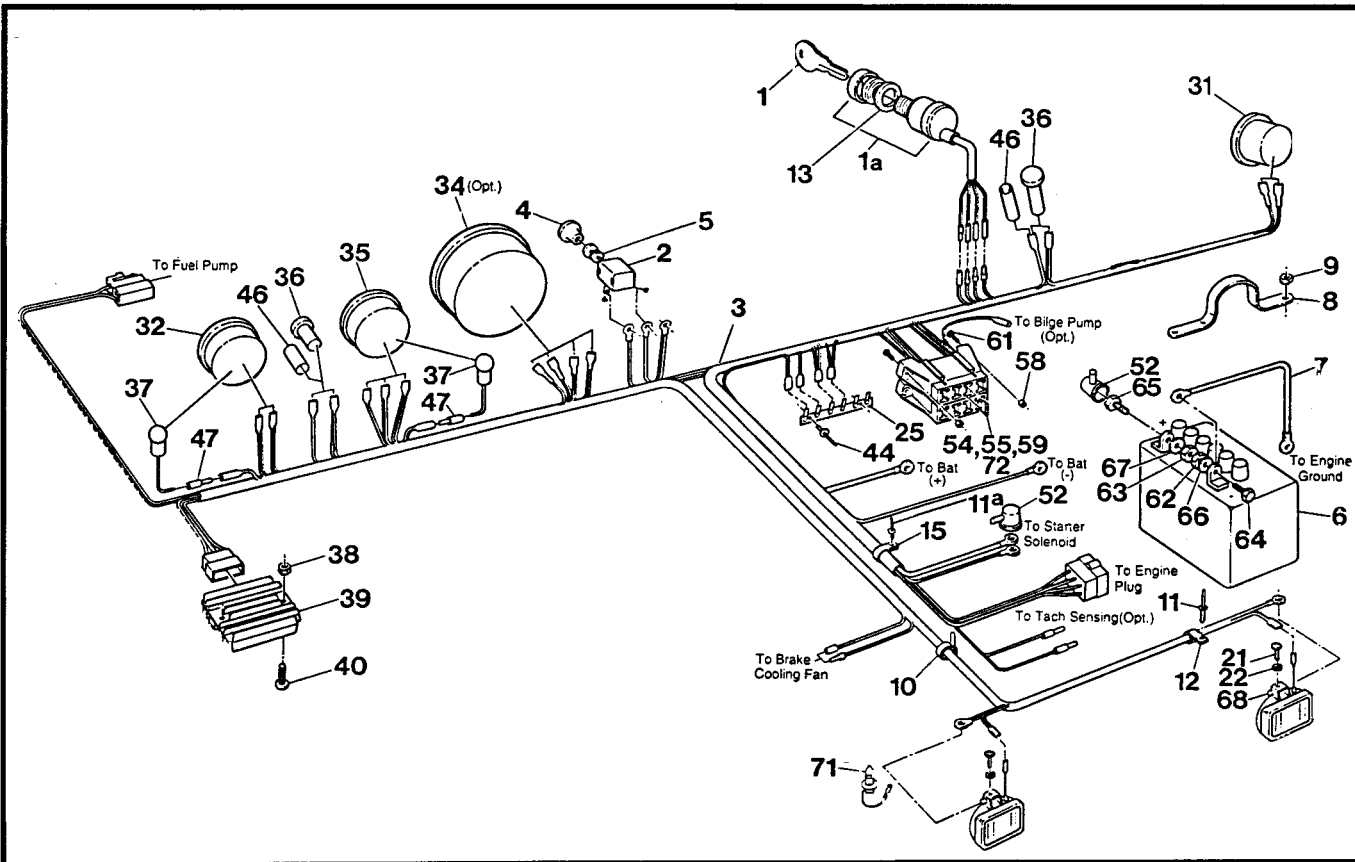
Ref	Part No.	Description	Qty	Ref	Part No.	Description	Qty
1	804-90	Frame Assem. - Conquest	1	26	112-03	SHSS 5/16-18x3/8 1/2 DOG, PL	10
2	605-69	Gasket - GRC-36 Mat'l	4	27	803-17	Chain, Idler RC50-2 x 40P	2
3	117-15	Nut, Fin Hex 3/8-16 Zinc	80	28	117-64	Insert, 1/4-20	4
4	108-46	Washer 13/32x1.375 Hi-Carb	16	29	112-31	HHCS 3/8-16x1.0 2B GR8	8
5	101-35	Bearing, Ball UC206A-20	12	30	112-14	HHCS 3/8-16x.750 GR5 Zc	2
5a	101-41	Bearing, Ball UC206A-16	8	31	108-15	Washer 3/8 SAE Zinc	1
6	108-06	Lockwasher, 3/8" S/R, Zinc	82	32	103-17	HHCS 3/8-16x1.00 GR5 Zc	2
7	103-88	C. Bolt, 3/8-16x1.00 GR5 Zc	30	43	603-17	Chain, RC50-2 x 42P - Front	2
8	605-99	Gasket, Flange	12	44	603-20	Chain, RC50-2 x 70P - Mid	2
9	605-89	Gasket, Outer Bearing Flnge.	12	45	603-21	Chain, RC50-2 x 96P - Rear (Refs 27, 43, 44 & 45 incl. Ref. 53)	4
10a	605-63	Flange, Bearing - Outer	16	46	117-35	Nut, Wheel 7/16-20 - Zinc	ix8
10b	101-20	Flange Assem., Bearing	12	47	125-26	Valve, Tire - (see Ref. 48)	8
11	102-14	Seal, Oil CR #12361	8	48	125-15C	Rim, Char. 8x7-5 Bolt (incl. Ref 47)	8
12	102-15	Seal, Oil CR #12379	8	49	126-96	Tire, Goodyear Runamuk 22x10-8, (see Refs 50 & 51)	8
13	605-97	Flange Assem, Outer (incl. Refs. 11 & 12)	8	50	126-98C	Tire & Rim Assem. - LH (incl. Refs 47, 48 & 49)	4
14	112-39	C. Bolt, 3/8-16 x 1-3/4	16	51	126-97C	Tire & Rim Assem. - RH (incl. Refs 47, 48 & 49)	4
15	103-67	C. Bolt, 3/8-16 x 6" GR2 Zc	16	53	100-96	Con. Link, RC50-2 H.D.	1x 10
16	810-36	Bearing Extension (uses Refs. 17 & 18)	4	55	125-61	Spring, Tensioner	1x6
17	108-34	Washer, 7/16" SAE Zinc	24	56	603-61	Slider Block	2x6
18	103-81	HHCS, 7/16-20x2.5" GR5 Zc	24	57	125-78	Spring, Spacer	1x6
19	103-80	Stud, Wheel 7/16-20 x 1.125 #B271, (see Refs. 20,21)	x8	58	603-77	Arm, Chain Tensioner - Upr	1x6
20	810-73	Axle Assembly - Front/Rear (incl. Ref. 19)	4	59	603-76	Arm, Chain Tensioner - Lwr	1x6
21	810-75	Axle Assembly - Mid (incl. Ref. 19)	4	60	100-01	Pin, Cotter 1/8 x 1.50 Zinc	1x6
22	810-45	Shaft, Idler - 11T	2	61	603-78	Pin, Pivot	1x6
23	604-84	Frame Assem., Battery	1	62	603-66	Spacer, .500 ID x .625 LG	1x6
24	810-28	Sprocket, Double - 24T	6	63	647-10	Chain Take-Up Replacement Kit (incl. Refs. 55 thru 62 as shown)	6
25	810-29	Sprocket, M/R Axle - 19T	8				

8.0 Fuel System and Seat Assembly Conquest Parts Manual



Conquest Parts Manual 8.0 Fuel System and Seat Assembly

Ref	Part No.	Description	Qty	Ref	Part No.	Description	Qty
1	803-50	Handrail Assembly	1	21	608-42	Hose, Fuel - 110"	1
2	108-03	Lockwasher, Split Ring 1/4"	10	22	125-64	Filter, Fuel #G8 1-4	1
3	112-41	PHMS, PHIL 1/4-20x1.25 Z	6	23	100-12	Clamp, Gear 2.25" HF-36	2
4	608-39	Back Pad Assembly	1	24	125-94	Hose, Filler	1
5	608-43	Seat, Bench	1	25	126-47	Fuel Neck Assembly	1
6	608-30	Angle, Left	1	26	126-46	Cap, Fuel	1
7	608-31	Angle, Right	1	27	127-21	Hose, Vent - 86"	1
a	103-08	HHCS, 1/4-20x 1.00 Zinc	6	28	126-50	Connector, Male 1/4"	1
13	804-17	Frame Assem., Seat	1	29	126-94	Clamp, Nylon Wire, 1/4"ID	5
16	120-04	Washer .195IDx.50ODx.08	2	30	112-04	HHCS 1/4-20x3/4 GR2 Zinc	6
17	608-32	Tool Box	1	31	117-10	Locknut, Nylon #10-24 Zinc	12
18	608-28	Pickup Assem., Fuel	1	32	126-62	Clamp, Gear 1/4 2-Ear	1
19	608-24	Tank, Fuel, (incl. Ref. 18)	1	33	126-93	Clamp, Nylon Wire, 1/2" ID	5
20	100-70	Clamp, Gear 1/2" HF-4	6	34	108-08	Washer 1/4 SAE Zinc	4
				35	120-09	Rivet, 3/16 x 1	7
				36	120-13	Rivet - 3/16x5/8	2
				37	702-06	Cushion, Foam	7
				38	117-54	Nut, Locking PAL 1/2-20 Zc	1
				39	112-07	RHMS, 10-24 x 1.25 Zinc	12
				40	108-42	Washer, .062x7/32 x 1 Zinc	12
				41	49040-2065	Pump, Fuel	1
				43	117-27	Locknut, Nylon 1/4-20 Zinc	2



Ref	Part No.	Description	Qty	Ref	Part No.	Description	Qty
1	100-39A	Key	1	44	120-15	Rivet, 1/8x7/16	2
1a	127-17	Switch, Ignition-Conquest (incl. Ref. 1)	1	46	118-48	Heat Shrink, 2 x 1/2	2
2	100-62	Switch, Light	1	47	118-02	Terminal, Male-#76-1251	2
3	613-65	Wire Harness-Conquest (incl. Fuse Holders)	1	52	613-46	Terminal Insulator (2 ga.)	2
4	126-76	Knob, Light	1	54	118-53	Fuse, 20A 2 prong (AT020)	1
5	108-55	Washer, External Tooth	1	55	118-49	Fuse, 15A 2 prong (AT015)	2
6	100-25	Battery, P-22NF245TL	1	58	117-10	Locknut, Nylon #10-24 Zinc	4
7	613-14	Wire, Ground - 14"	1	59	118-52	Fuse, 10A 2 prong (AT010)	3
8	604-52	Bracket, Battery Retaining	1	61	103-25	PHMS, #10-24x.750 Zinc	4
9	117-21	Locknut, Nylon 5/16-18 Zinc	2	62	117-20	Nut, Fin. Hex 1/4-20 Zinc	1
10	100-64	Tie Rap, 5.5" - Black	7	63	117-03	Nut, Fin. Hex 5/16-18 Zinc	1
11	120-09	Rivet 3/16x1	10	64	112-04	HHCS, 1/4-20x3/4" GR2 Zc	1
11a	120-13	Rivet 3/16x5/8	6	65	112-01	HHCS, 5/16-18x3/4"GR5Zc	1
12	126-93	Clamp, Nylon Wire -1/2" ID	16	66	108-08	Washer, 1/4" SAE Zinc	1
13	108-57	Lockwasher 3/4" Int. Tth Zc	1	67	108-24	Washer, 5/16" SAE Zinc	1
15	127-24	Clamp, Nylon - 1" I.D.	5	68	126-33	Headlamp, Halogen #64771	2
21	103-58	PHMS, PHIL M8x1.25 x20.0	2	71	126-34	Bulb, Headlight H3 12 Volt	2
22	108-44	Lockwasher 5/16" Int. Tooth	2	72	118-51	Fuse, 30A 2 prong (AT030)	1
25	613-37	Terminal Strip, Ground	1				
31	632-15	Hourmeter, #56548-10 (#876EM)	1				
32	633-10	Voltmeter, #07583-15 (#830EM)	1				
34	634-02	Tachometer Kit	1				
35	634-16	Gauge, Coolant Temperature	1				
36	634-08	Light, Indicator	2				
37	634-10	Light Kit, #06215-00	2				
38	117-27	Locknut, Nylon 1/4-20 Zinc	2				
39	21066-2070	Regulator, Voltage	1				
40	103-63	PHMS, PHIL 1/4-20x1.0 Zc	2				

ARGO Products Manufactured by:

Ontario Drive & Gear Limited

P.O. Box 280, Bleams Road

New Hamburg, Ontario

CANADA NOB 2G0

Phone: (519) 662-2840

Fax: (519) 662-2421

ODG *Dedicated to quality and performance*



ARGO

CONQUEST

PARTS MANUAL

**Model Nos. V894-37 &
V894-38**

From Serial #CB10847

Foreword

ODG has prepared this parts manual for the **CONQUEST** Models to assist both qualified mechanics and vehicle owners in ordering correct, quality replacement **ARGO** parts.

Proper and regular service, and replacing old, worn or broken parts with the correct **ARGO** replacement parts, are both essential to prolonging the life of the **ARGO**. Please refer to this parts manual before ordering any replacement part.

All information contained in this **CONQUEST** Parts Manual is based on the latest product specification available at time of printing. If your **CONQUEST** differs from the specifications contained in this manual, **contact Ontario Drive & Gear Limited for information.**

ODG reserves the right to alter specifications on the **CONQUEST** models at any time, without obligation or prior notification.

Reproduction of the **CONQUEST Parts Manual No. 894-37** in whole or in part, is prohibited without prior written permission from **Ontario Drive & Gear Limited.**

Model Identification

CONQUEST - Model Nos. V894-37 and V894-38

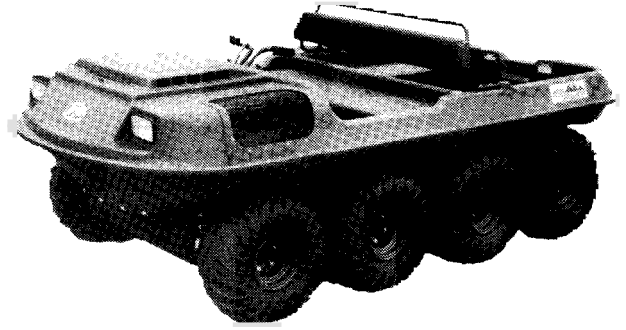
Explanation of Parts Manual Format

Reference Number between Assembly Diagram and Component Parts List

Part No. - Argo replacement part number for identification and re-ordering

Description - Part Description for identification and re-ordering

Qty - Indicates the quantity of a part used in an Assembly

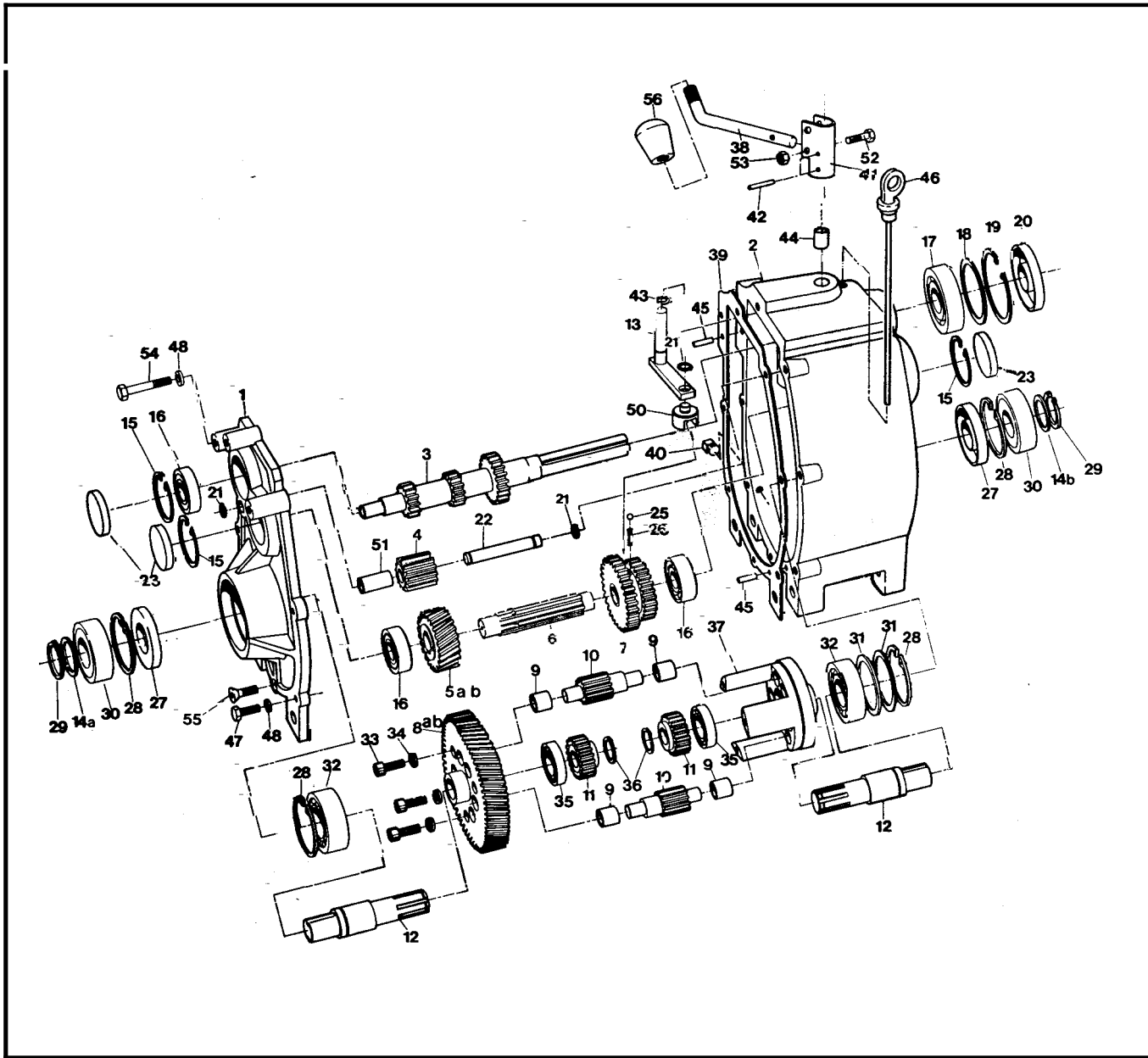


Using the Parts Manual

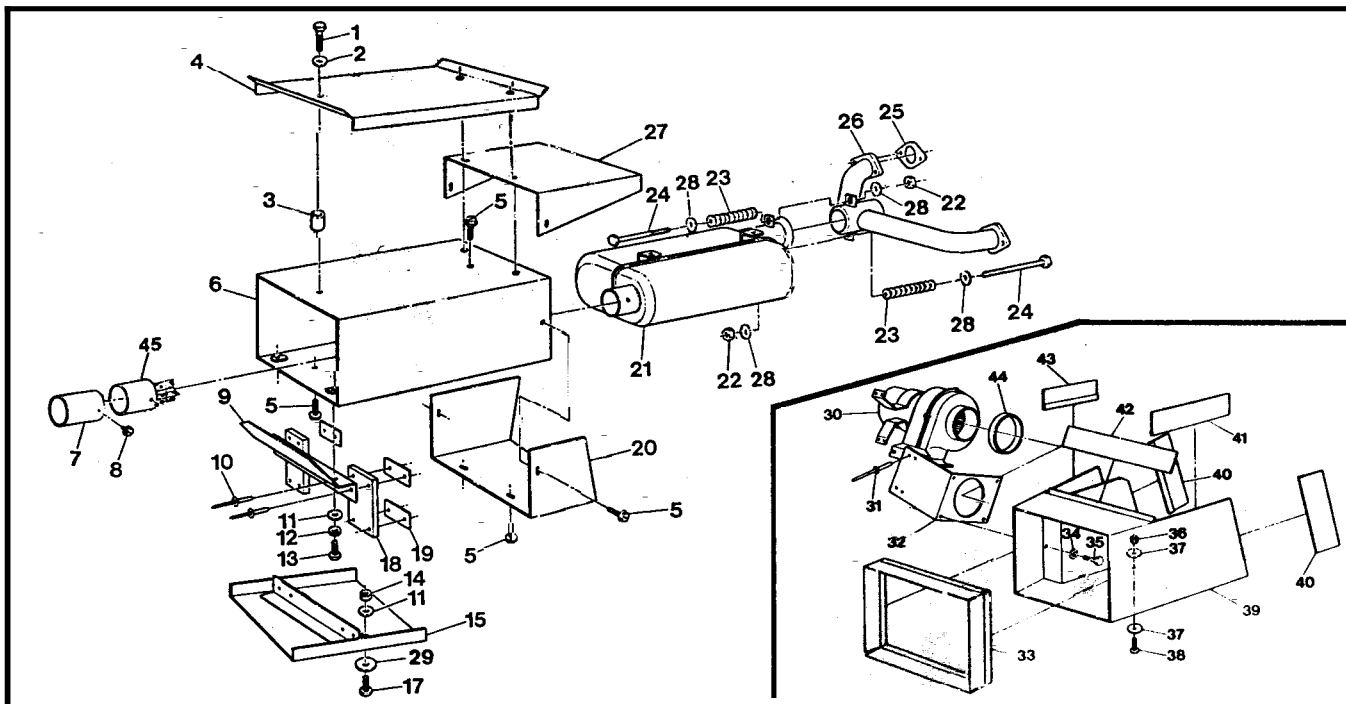
1. Find the major vehicle assembly in the Table of Contents on this page, and turn to that section.
2. Locate the part in the illustration that you wish to order.
3. Refer to the parts **list** in that section.
4. Find the correct part number (Part No.), part description (Description) and correct quantity (Qty).
5. Use *only* this information to order **ARGO** replacement parts. **DO NOT** attempt to order a replacement part by Ref number or Page number.

Table of Contents

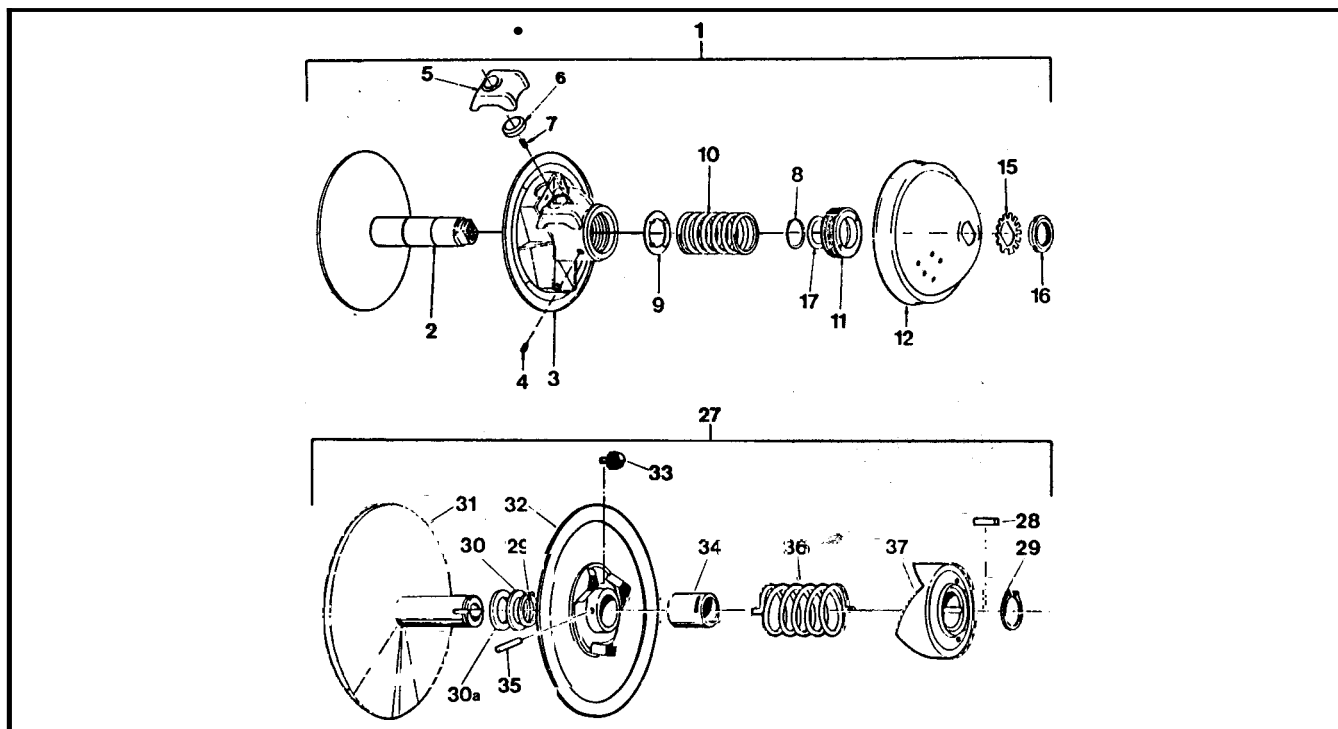
Foreword.....	i
Model Identification.....	i
Using the Parts Manual.....	ii
1.0 Transmission.....	1
2.0 Intake and Exhaust System.....	3
3.0 Clutch System.....	3
4.0 Power Pack Assembly.....	5
5.0 Brake System - Hydraulic.....	7
6.0 Vehicle Body & Firewall.....	9
7.0 Frame & Drive System.....	11
8.0 Fuel System & Seat Assembly.....	13
9.0 Electrical System.....	15



Ref	Part No.	Description	Qty	Ref	Part No.	Description	Qty
	610-17MU	Transmission Asm - MU, does not include Refs 38, 52, 53 & 56 uses Refs 5a & 8a		26	34-32	Spring, Compression - 7/32 x .50	1
	610-17GU	Transmission Asm - GU, does not include Refs 38, 52, 53, & 56 uses Refs 5b & 8b		27	102-03	Seal, Oil WBS 30x72x10	2
1	34-68	Cover, Transmission	1	28	106-03	Retaining Ring #5000-281PA	4
2	34-99	Housing, Transmission	1	29	107-02	Retaining Ring N1400-118	2
3	34-21	Shaft, Input - 13/21 T	1	30	101-05	Bearing, Ball 6306-2NSE C3	2
4	34-16A	Gear Idler - 13T (incl. Ref 51)	1	31	114-01	Washer, Shim .020x2.25x2.81	2
5a	34-95	Gear, Helical - 24T (MU)	1	32	101-03	Bearing, Ball 6207-C 3	2
5b	34-97	Gear, Helical - 21T (GU)	1	33	103-04	SHCS, 5/16-18 x 1.00 PL	3
6	34-94	Shaft, Spline (all U)	1	34	108-02	Lockwasher, Hi-Collar 5/16, PL	3
7	34-91	Gear, Double - 26/33 T	1	35	101-15	Bearing, Ball 6005-C 3	2
8a	34-22	Gear Plate - 73T (M)	1	36	107-04	Retaining Ring N1400-98	2
8b	34-45	Gear Plate - 76T (G)	1	37	34-08	Cage	1
9	105-03	Bushing, Oilite -AA650	12	38	610-77	Shift Lever Rod	1
10	34-13	Gear, Planet -12 T	6	39	34-47	Gasket, Cover - 1/64" Thk	1
				40	103-02	Plug, Magnetic 3/8-18 NPT	1
11	34-14	Gear, Sun - 21 T	2	41	34-86	Holder, Shift Lever	1
12	34-81	Shaft, Output	2	42	111-01	Pin, Spirol 5/32 x 1.00	2
13	34-65	Shifter Assem.	1	43	113-01	O-Ring 012-7147	1
14a	114-04	Washer, Shim .040 Thk	1	44	105-02	Bushing, Oilite - AA628	1
14b	114-05	Washer, Shim .020 Thk	1	45	104-03	Pin, Dowel 1/4" x 7/8" long	2
15	106-01	Retaining Ring #5000-187PA	3	46	34-77	Dipstick, with breather	1
16	101-01	Bearing, Ball 6204Z-C 3	3	47	103-06	HHCS 5/16-18x1.00 GR5 Zinc	4
17	101-16	Bearing, Ball 6206-C3	1	48	108-05	Lockwasher 5/16 Zinc	7
18	114-02	Washer, Shim 2.062	as req.	50	34-63	Shift Yoke	1
19	106-05	Retaining Ring N1300-244	1	51	105-05	Bushing, Oilite - AA650-3 (in Ref. 4)	1
20	102-05	Seal, Oil WBS 30x62x10	1	52	103-97	HHCS 1/4-20x1.25 GR5 Zc	1
21	107-05	Retaining Ring N1400-50	3	53	117-27	Locknut, Nylon 1/4-20 Zinc	1
22	34-11	Pin, Dowel 1/2 x 3.50	1	54		See Section 4.0	
23	31-07	Plug plate	3	55	103-95	FHSC 5/16-18x1.0 GR8 Zinc	1
25	109-05	Ball, Steel 6mm 62-67 Rc	1	56	126-38	Knob, Shift	1



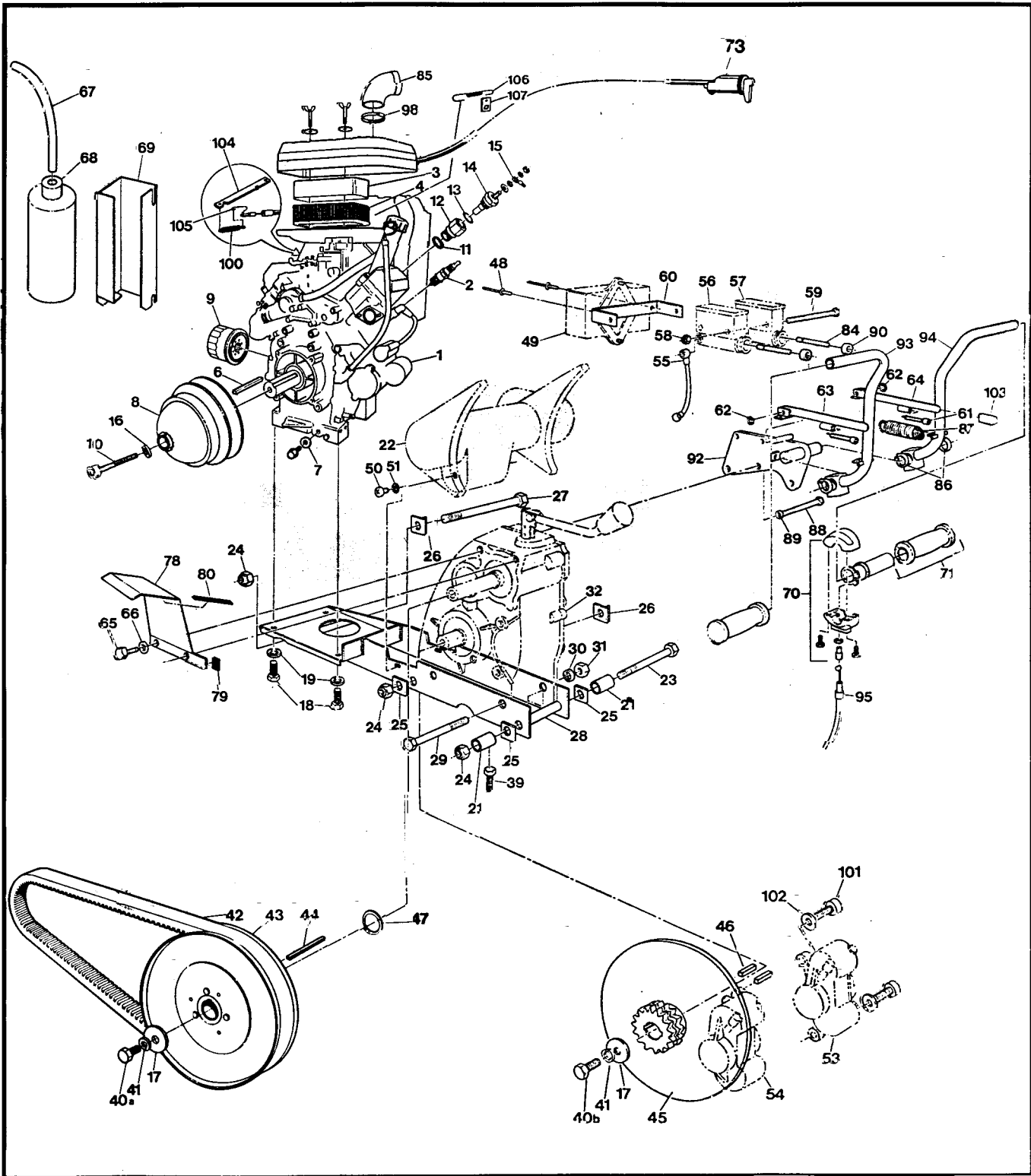
3.0 Clutch System



Ref	Part No.	Description	Qty	Ref	Part No.	Description	Qty
1	103-72	Screw, IHWH T/C 1/4-20x3/4	3	24	112-18	SHCS, 5/16-18x2.25" PL	2
2	108-03	Lockwasher, 1/4 Split Ring	3	25	11060-2079	Gasket, Muffler	2
3	807-71	Spacer	3	26	807-66	Manifold Assem.	1
4	807-72	Shield, Heat	1	27	807-38	Cover, Manifold	1
5	112-19	Screw, IHWH T/C 1/4-20x.50	7	28	108-24	Washer, .34x.70x.06 Zc	4
6	807-41	Shield Assem., Muffler	1	29	108-01	Washer, Fender 1/4 BSx1.2501	2
7	807-75	Pipe , Muffler Outlet	1	30		See Section 5.0	
8	112-43	Screw	1	31	120-13	Rivet 3/16x5/8	4
9	807-43	Support, Upper	1	32	807-68	Bracket Assem., Fan	1
10	120-09	Rivet 3/16x 1	8	33	603-87	Seal, Radiator	1
11	108-08	Washer 1/4 SAE Zinc	4	34	108-03	Lockwasher, 1/4 Split Ring	4
12	108-03	Lockwasher, 1/4 Split Ring	2	35	112-04	HHCS 1/4-20x3/4 GR2 Zinc	4
13	112-04	HHCS 1/4-20x3/4 GR2 Zinc	2	36	117-27	Locknut, Nylon 1/4-20 Zinc	3
14	117-27	Locknut, Nylon 1/4-20 Zinc	2	37	108-01	Washer, Fender 1/4 BSx1.25	6
15	807-49	Support, Lower	1	38	103-63	PHMS, PHIL 1/4-20x1.0 Zc	3
17	103-63	PHMS, PHIL 1/4-20x1.0 Zc	2	39	807-35	Duct Assem., Intake	1
18	126-07	Support, Flex	2	40	603-88C	Seal 9.62"	2
19	807-69	Washer, Special	4	41	603-88B	Seal 8.49"	1
20	807-70	Cover, Lower	1	42	603-88D	Seal 11.66	1
21	807-42	Muffler Assem. - Conquest	1	43	603-88A	Seal 7.09"	1
22	117-25	Nut, Conelock 5/16-18	2	44	602-33	Vinyl Trim 9.8"	1
23	100-10	Spring, Compression	2	45	807-67	Spark Arrester	1

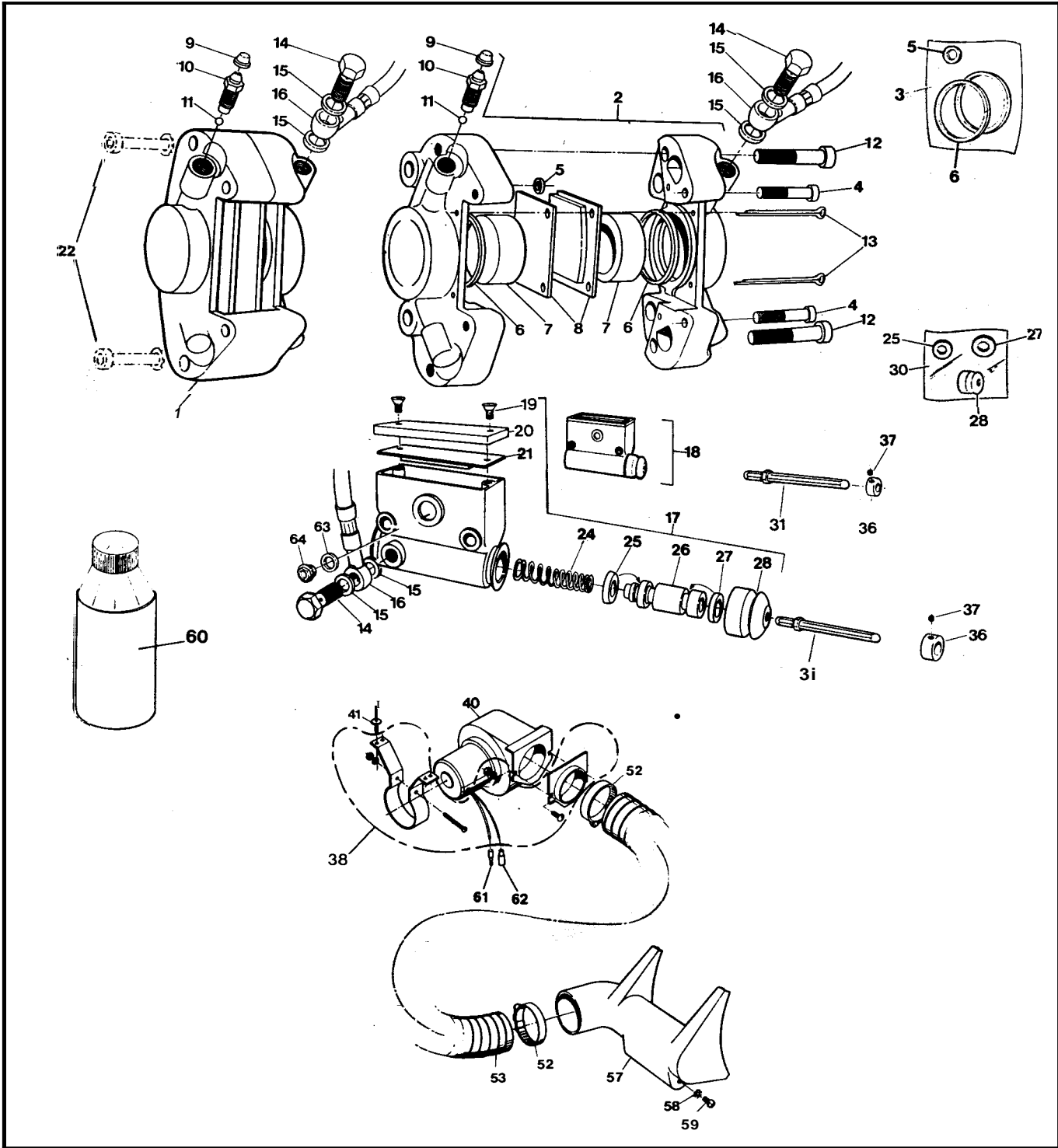
3.0 Clutch System

Ref	Part No.	Description	Qty	Ref	Part No.	Description	Qty
1	127-47	Clutch, Driver - Keyed (incl. Refs 2 to 17) PO DB0005	1	27	126-24	Clutch, Driven Model "B" SOD B0001	1
2	0405-0005	Pulley, Half - Fixed	1			(incl. Refs 28 to 37)	
3	V023F	Pulley, Half - Sliding	1	28	ASK-5	Key 1/4x1/4x3/4	1
4	V046	SHSS (use Loctite 242)	1	29	ASR-6	Retaining Ring N1400-150	2
5	V05BCR	Block, Red	3	30	ASA-1-S	Spacer .025" Thick	as req
6	C13-266T	Weight - 266g	3	30a	ASA-1	Spacer .050" Thick	as req
7	C24-L1	Anti-Noise Spring	3				
8	V08C	Retaining Ring	1	31	AFK25.4-2500D01	Pulley, Fixed - Half	1
9	V09	Spring Guide Plate	1	32	AMC-2-2500D01	Pulley, Sliding - Half	1
10	V10-48-105-17	Spring, Blue	1			(incl. Refs. 33, 34 & 35)	
11	V111	Bushing, Threaded	1	33	ANS-2-T	Shoe, Cam	3
12	V1203A	Cap, Type "A"	1	34	AMB-2	Bushing, Bronze	1
15	V15	Lockwasher	1	35	CCP-2-156	Pin, Spirol	1
16	V162	Locknut	1	36	ACS-3-188	Spring, Blue	1
17	X-35-MA	Spacer	1	37	AFC-4-C3D4	Cam, 2-Way Aluminum	1

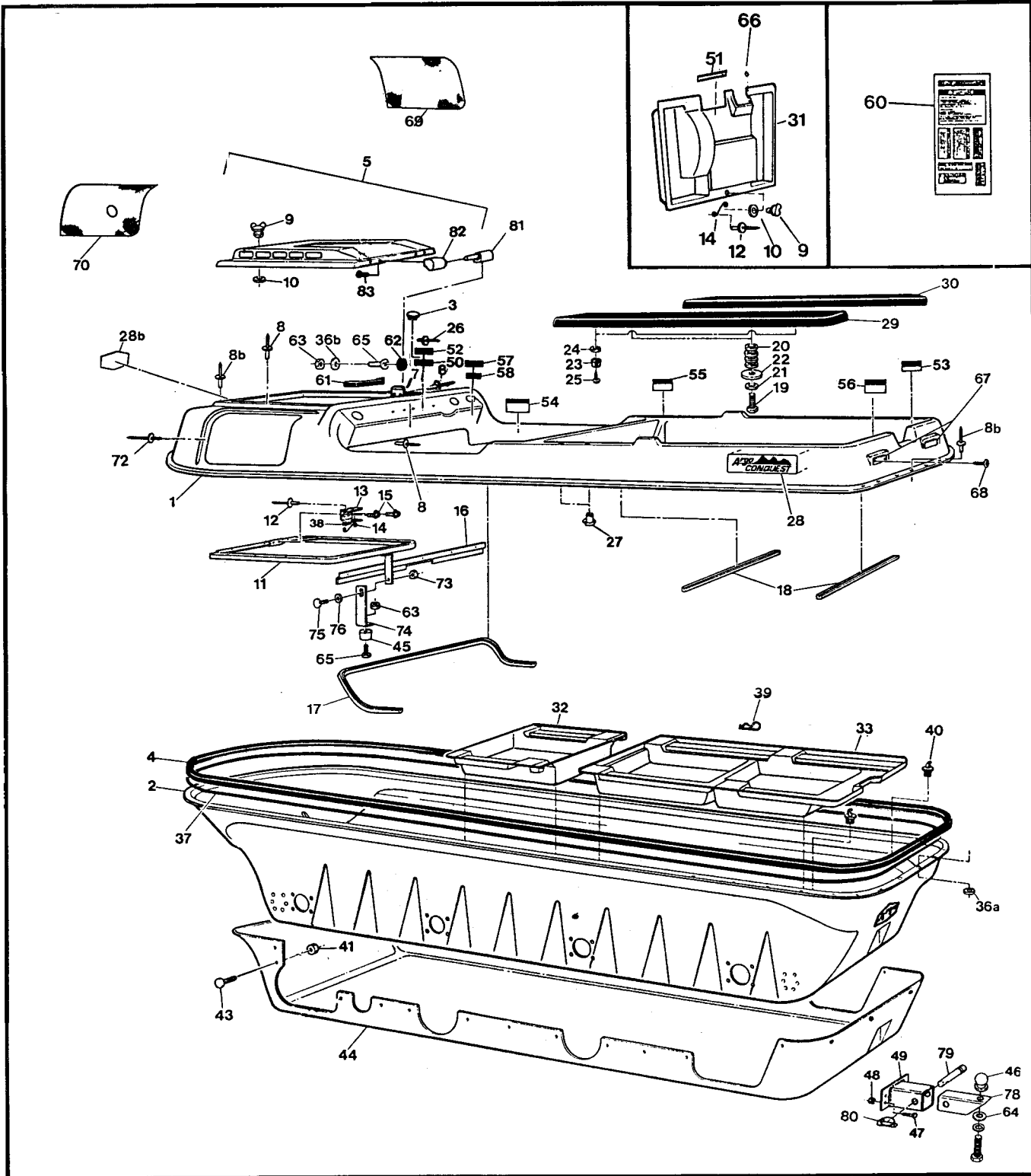


Ref	Part No.	Description	Qty
1	127-50	Engine - Kawasaki, FD620-BS12 (incl. Refs. 2, 3, 4, 7, 9, 11, 49, Exhaust Gasket)	1
2	92070-2072	Sparkplug, BMR4A	2
3	11013-2114	Element, Air Filter	1
4	11013-2139	Element, Air Filter	1
6	110-13	Key 1/4x1/4x2.25	1
7	11009-2566	Gasket, Drain Plug	1
8		See Section 3.0	
9	49065-2071	Filter, Oil	1
10	112-15	SHSC M10x1.5x90mm	1
11	11009-2765	Gasket	1
12	634-19	Adaptor, Sender	1
13	634-20	Washer, Fibre	1
14	21176-2098	Sender	1
15	118-50	Terminal, Blade #06871-00	1
16	108-54	Lockwasher, Hi-Collar	1
17	108-18	Washer, 13/32x1.375x11GA	3
18	112-24	HHCS M8x1.25x18mm Zc	4
19	108-05	Lockwasher 5/16 Zinc	4
21	811-14	Spacer	2
22		See Section 5.0	
23	103-37	HHCS 5/8-11x10.00 GR5 Zc	1
24	117-56	Locknut, Nylon 5/8-11 Zinc	3
25	811-09	Washer, Square, .64ID	3
26	811-10	Washer Asm, Square	2
27	103-52	HHCS 5/8-11x7.50 GR5 Zc	2
28	811-30	Frame, Powerpack - Conq.	1
29	103-20	HHCS 1/2-13x6.50 GR5 Zc	2
30	108-07	Lockwasher 1/2 Zinc	2
31	117-06	Nut, Fin Hex 1/2-13 Zinc	2
32		See Section 1.0	
39	103-53	HHCS 3/8-16x3.0 Full thread	2
40a	103-34	HHCS 3/8-16x1.25 GR5 Zc	1
40b	103-18	HHCS 3/8-24x1.25 GR5 Zc	2
41	108-06	Lockwasher, 3/8 S/R, Zinc	3
42	125-56	Drive Belt	1
43		See Section 3.0	
44	110-09	Key 1/4x1/4x3.0	1
45	810-01	Brake Disc #50-2x13T	2
46	110-14	Key 1/4x1/4x1.25	4
47	108-36	Washer .06x1.00x1.375 Zinc	as req
48	120-13	Rivet 3/16x5/8	2
49	21119-2120	Igniter	1

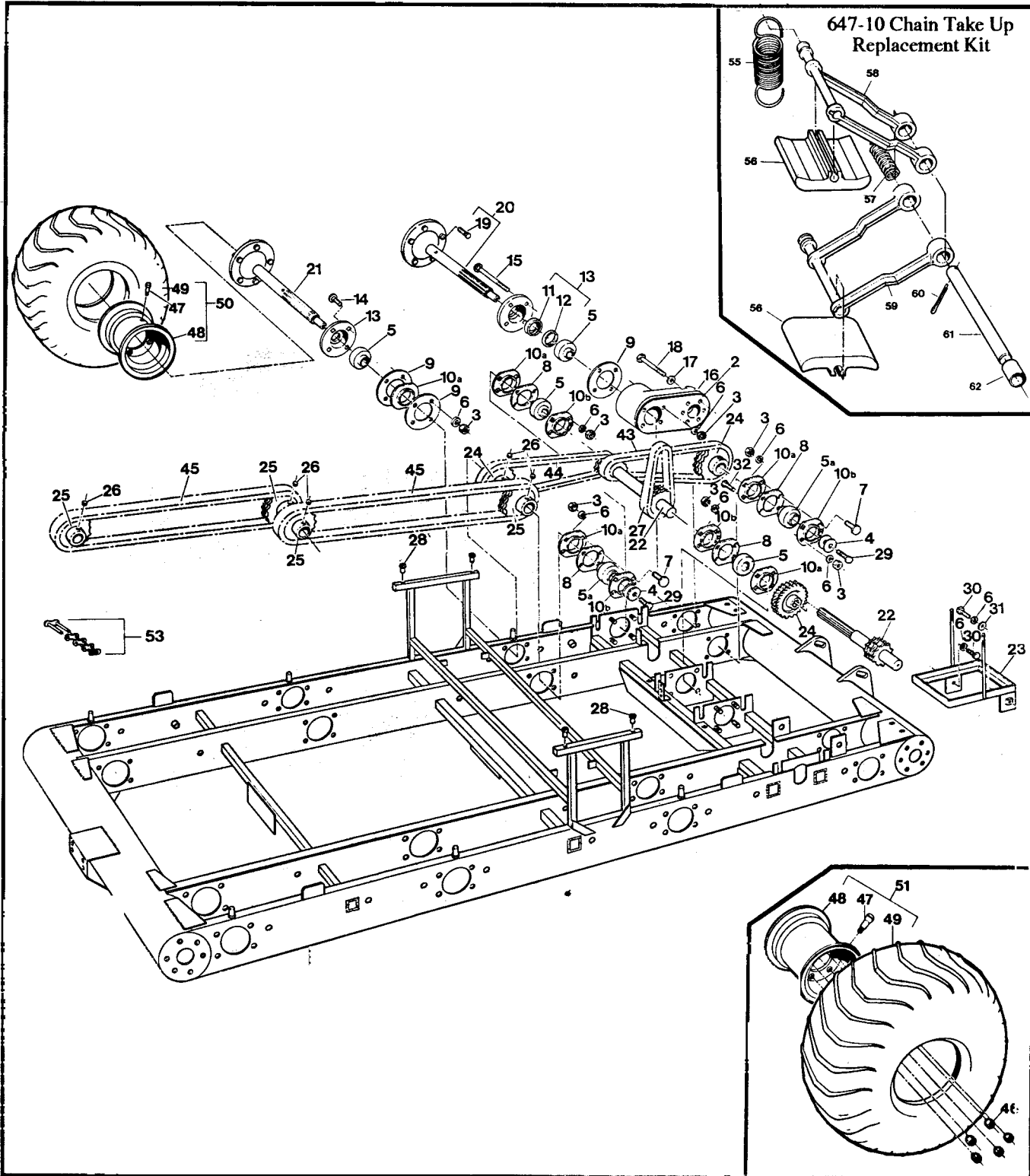
Ref	Part No.	Description	Qty
50 to 57		See Section 5.0	
58	117-27	Locknut, Nylon, 1/4-20 Zinc	2
59	103-66	HHCS 1/4-20x4.00 GR5 Zc	2
60	610-75	Bracket, Igniter	1
61	103-69	SHCS 1/4-20x1.50 Zinc	2
62	113-02	O-Ring #106-7147	2
63	810-20	Lever Assem., Brake - LH	1
64	810-21	Lever Assem., Brake - RH	1
65	103-17	HHCS 3/8-16x1.00 GR5 Zc	2
66	108-26	Washer 3/8 Zinc	2
67	127-15	Hose, Auxiliary Tank	1
68	127-16	Bottle, Auxiliary Tank	1
69	127-14	Holder, Auxiliary Tank	1
70	100-57	Throttle Twist Grip	1
71	127-35	Grips, Molded - Set	1
73	612-71	Cable Asm., Choke - Conq.	1
78	603-29	Guard, Belt Protect	1
79	601-92	Vinyl Trim - 1.5"	1
80	601-93	Vinyl Trim - 4.25"	1
84		See Section 5.0	
85	127-32	Duct Intake, Conquest	1
86	106-07	Retaining Ring N1400-75	4
87	127-33	Spring, Extension - Strg Lever	2
88	103-55	HHCS 5/16-18x2.75 GR5 Zc	3
89	108-05	Lockwasher 5/16 Zinc	3
90		See Section 5.0	
92	812-01	Bracket Asm, Steering	1
93	812-27	Lever Asm, Steering - LH	1
94	812-26	Lever Asm, Steering - RH	1
95	612-90	Cable Asm, Throttle - Conq.	1
98	92170-2075	Clamp	1
100	127-11	Spring, Return	1
101	103-41	SHCS, 3/8-16x1.25 Zinc	4
102	108-23	Washer 3/8 SAE GR8 - Dich.	4
103	126-89	Cap, Vinyl - Black	2
104	127-12	Bracket, Spring	1
105	127-13	Swivel	1
106	127-30	Spring	1
107	601-86	Clip, Retainer	1



Ref	Part No.	Description	Qty	Ref	Part No.	Description	Qty
1	166-05	Caliper Asm, Brake - L (incl. Refs 5 to 13)	1	38	125-92	Adpt. & Mounting Kit - includes the following:	1
2	166-06	Caliper Asm, Brake - R (incl. Refs 5 to 13)	1			Mounting Bracket	1
3	161-01	O-Ring Kit, Caliper (incl. Refs 5 & 6)	2			Nut, #10-32	1
4	160-40	SHCS M8x1.25x40 ZN	2			Lockwasher, 3/16"	1
5		Seal, Rubber-5mm (see Ref 3)	1			Screw, #10-32 x 2"	1
6		Seal, Piston-41mm (see Ref 3)	2			Nut, 1/4-20	2
7	168-05	Piston 41mm	2x2			Lockwasher, 1/4"	2
8	170-02	Brake Pad Set(4) - Metallic	1			Screw, 1/4-20x 5/8"	2
9	168-20	Plug, Rubber	1x2	40	125-91	Blower Fan	1
10	168-03	Screw, Bleeding M10x1.0	1x2	41		See Section 2.0	
11	168-04	Ball, Check - 7/32 Dia.	1x2	52	125-35	Clamp, Gear 3.50 HF-52	2
12	160-41	SHCS M10x1.5x50mm Zinc	2x2	53	127-06	Hose, Intake 3" dia. x 26"	1
13	168-06	Pin, Cotter M3.2x50mm	2x2	57	126-36	Brake Cool Air Duct	1
14	160-44	Bolt, Banjo-M10x1.0x 21.0 zinc	4	58	108-56	Lockwasher 1/4Ext. Tooth	2
15	160-01	Washer, Copper - 1.5x10.0x 14.0	8	59	103-96	PHMS, Phil 1/4-20x5/8 Zinc	2
16	163-01	Hose Asm,Hydraulic-300mm	1x2	60	126-19	Fluid, Brake-Silicon Dot 5 - .35L	
17	165-06	Master Cylinder, (incl. Refs 19 to 21.24 to 28, 63 & 64)	1	61	118-02	Terminal, Male-#76-1251	1
18	165-05	Master Cylinder, (incl. Refs 19 to 21.24 to 28, 63 & 64)	1	62	118-03	Terminal, Female - #76-1285	1
19	160-42	FHMS M5x0.8x6mm	2x2	63	160-03	O-Ring, Oil Window	.x2
20	168-08	Cover	1x2	64	168-14	Oil Window, Mstr. Cylinder	.x2
21	168-09	Cover, Rubber	1x2				
22		See Section 4.0					
24	162-02	Spring, Return	1x2				
25		Seal, Primary, 19mm (See Ref. 30)	1x2				
26	168-10	Piston 19mm dia.	1x2				
27		Seal, Secondary, 19mm (See Ref. 30)	1x2				
28		Boot, Rubber, (See Ref. 30)	1x2				
30	161-25	O-Ring Kit-Master Cylinder (incl. Refs 25, 27 & 28)	1x2				
31	812-13	Pin Asm, Plunger-Adjustable	2				
36	812-17	Pin stop	2				
37	112-02	SHSS 10-24x1/4 Cone PT,Pl	4				

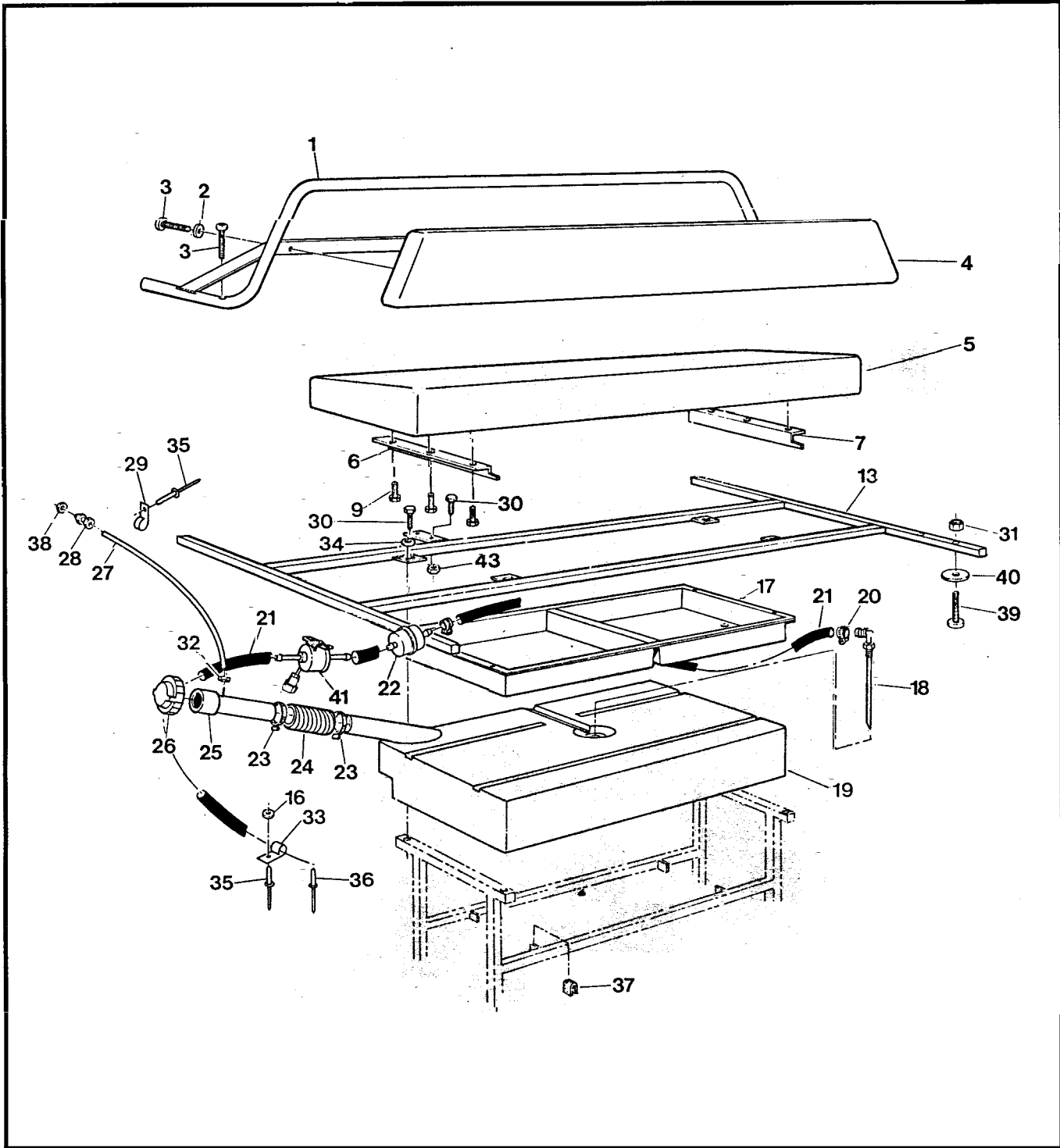


Ref	Part No.	Description	Qty	Ref	Part No.	Description	Qty
1	801-98	Body, Upper - Conquest, (specify colour) (incl. Ref. 11, 12, 13, 14, 15, 5)	1	39	100-16	Clip, Hitch Pin 1.625 Zinc	6
2	801-43	Body, Lower - Conquest (specify colour)	1	40	100-18	Plug, Drain 5/8" x 13/32"	2
3	127-28	Plug, Nylon - Black	1	41	120-28	Collar, Magna Grip	32
4	801-05	Bumper, Vinyl - 8x8	1	43	120-27	Pin, Magna Grip	32
5	602-34	Hood Kit, - Conquest, (spec. colour) (incl. 7,8,9,10,81,82,83)	1	44	863-11	Skid Plate, 8x8 - Black	1
7	602-38	Clip, Hood	1	45	126-88	Bumper, Rubber	1
8	120-13	Rivet 3/16x5/8	23	46	100-61	Coupler Ball (c/w Bolt+Wshr)	1
8b	120-09	Rivet 3/16x1	63	47	103-61	HHCS 3/8-24x1.50 GR5 Zc	4
9	126-10	Wing Stud	2	48	117-24	Locknut, Nylon 3/8-24 Zinc	4
10	126-09	Grommet, Alum. #GH-7	2	49	616-16	Hitch Assembly	1
11	602-24	Frame Assem., Hood	1	50		Vehicle ID Plate, Alum.	1
12	120-15	Rivet 1/8x7/16	4	51	126-65	Plate, Shifting	1
13	601-69	Spring Plate	1	52	127.26	Plate, Steering Lever+Wincl	1
14	126-11	Spring	2	53	126-67	Plate, Floor Pan	1
15	103-72	Screw, THWHT/C Slot 1/4-20 x 0.5"	2	54	126-68	Plate, Operation	1
16	602-29	Brace, Dash	1	55	126-69	Plate, Fuel	1
17	601-08	Trim, Vinyl 84"	1	56	126-70	Plate, Vehicle Capacity	1
18	601-09	Trim, Vinyl 28"	2	57	126-72	Plate, Holding Brake	1
19	112-04	HHCS, 1/4-20x3/4" GR2 Zc	4	58		U.S. Plate, Non-U.S. Argos only	1
20	108-25	Washer, Plate 1/4 Zinc	16	60	126-73	Decals, French Language (incl. 50 to 58 available as set only)	1
21	108-03	Lockwasher, 1/4 Split Ring	4	61	125-41	Handle, Dash (incl. 62)	1
22	801-41	Washer, Seat	4	62		Plug cap, (avail. only with 61)	2
23	126-79	Bumper, Plastic - Black	4	63	117-10	Locknut, Nylon #10-24 Zinc	3
24	120-05	Washer .195x.50x.040 Zinc	4	64	108-53	Washer, 3/4x1.5x.125 SAE	1
25	103-48	T/S Pan HD PHIL #10x5/8"	4	65	103-25	PHMS #10-24x.750 Zinc	3
26	120-24	Rivet, 3/32x3/8 Alum. (all plates)	22	66	125-84	Grommet, Rubber	1
27	117-44	T-Nut 1/4-20 PL	4	67	127-01	Reflector, Red	2
28	127-27	Nameplate - Conquest	2	68	103-48	Pan HD PHIL T/S #10x5/8	4
28b	601-44	Nameplate - Argo	1	69	807-73	Screen, Intake - Conquest	1
29	801-03	Seat, Rear LH, 8x8	1	70	807-74	Screen, Exhaust - Conquest	1
30	801-02	Seat, Rear RH, 8x8	1	72	120-11	Rivet - 5/32 x 9/16	28
31	609-33	Firewall - Conquest	1	73	117-15	Nut, Fin Hex 3/8-16 Zinc	1
32	803-02	Floor Pan - Frnt - (specify clr)	1	74	602-27	Support, Adjustable	1
33	803-03	Floor Pan - Rear - (specify clr)	1	75	103-89	C/Bolt 3/8-16x.75 GR2 Zinc	1
36a	120-04	Washer .195IDx.500Dx.080	57	76	108-06	Lockwasher, 3/8 S/R, Zinc	1
36b	120-05	Washer .195IDx.50x.040 Zc	2	78	616-19	Tube, Hitch - Insert	1
37	126-60	Seal, Vinyl 1/2"x1/4"x37.5'	1	79	104-13	Pin, Top Link	1
38		Washer	2	80	104-11	Pin, Lynch	1
				81	127-45A	Pin, Hinge	2
				82	127-45B	Knuckle, Hinge	2
				83	103-47	HHCS 10-24x3/8"	8



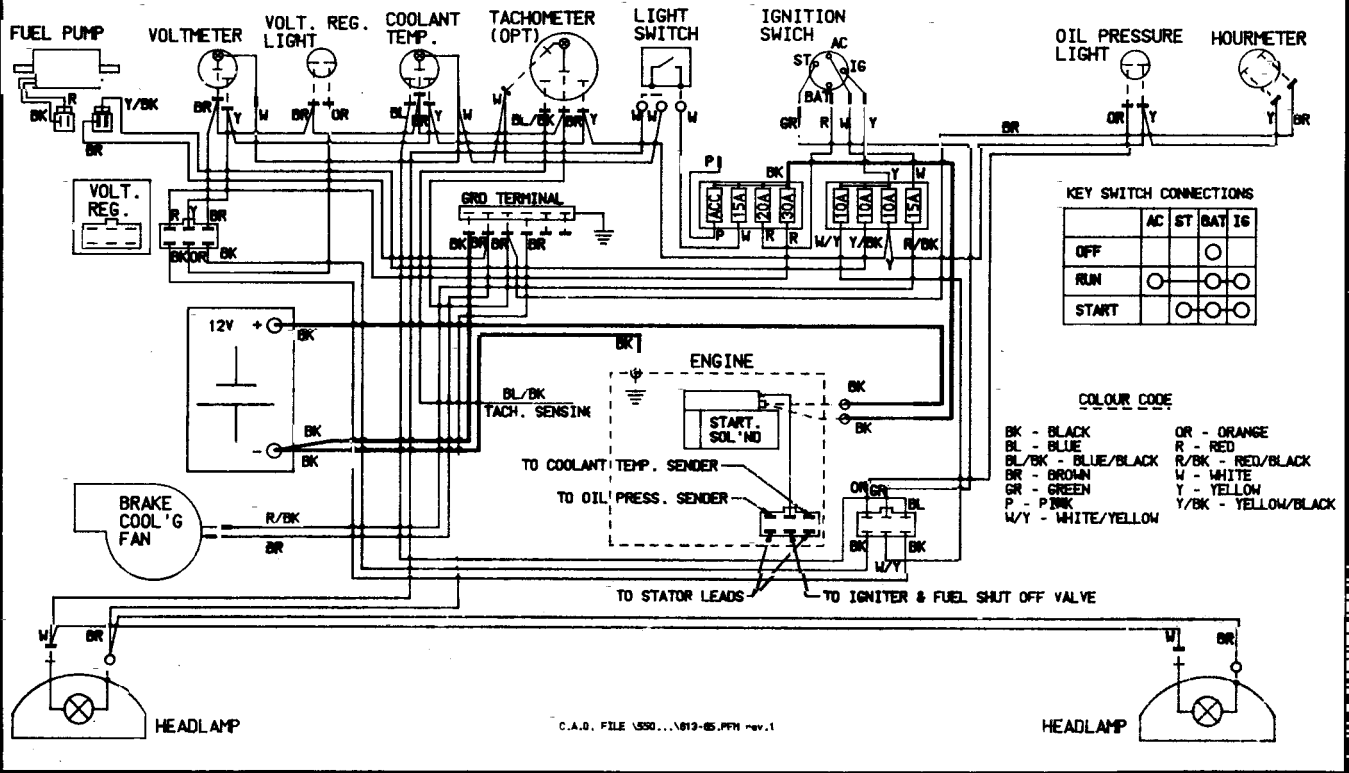
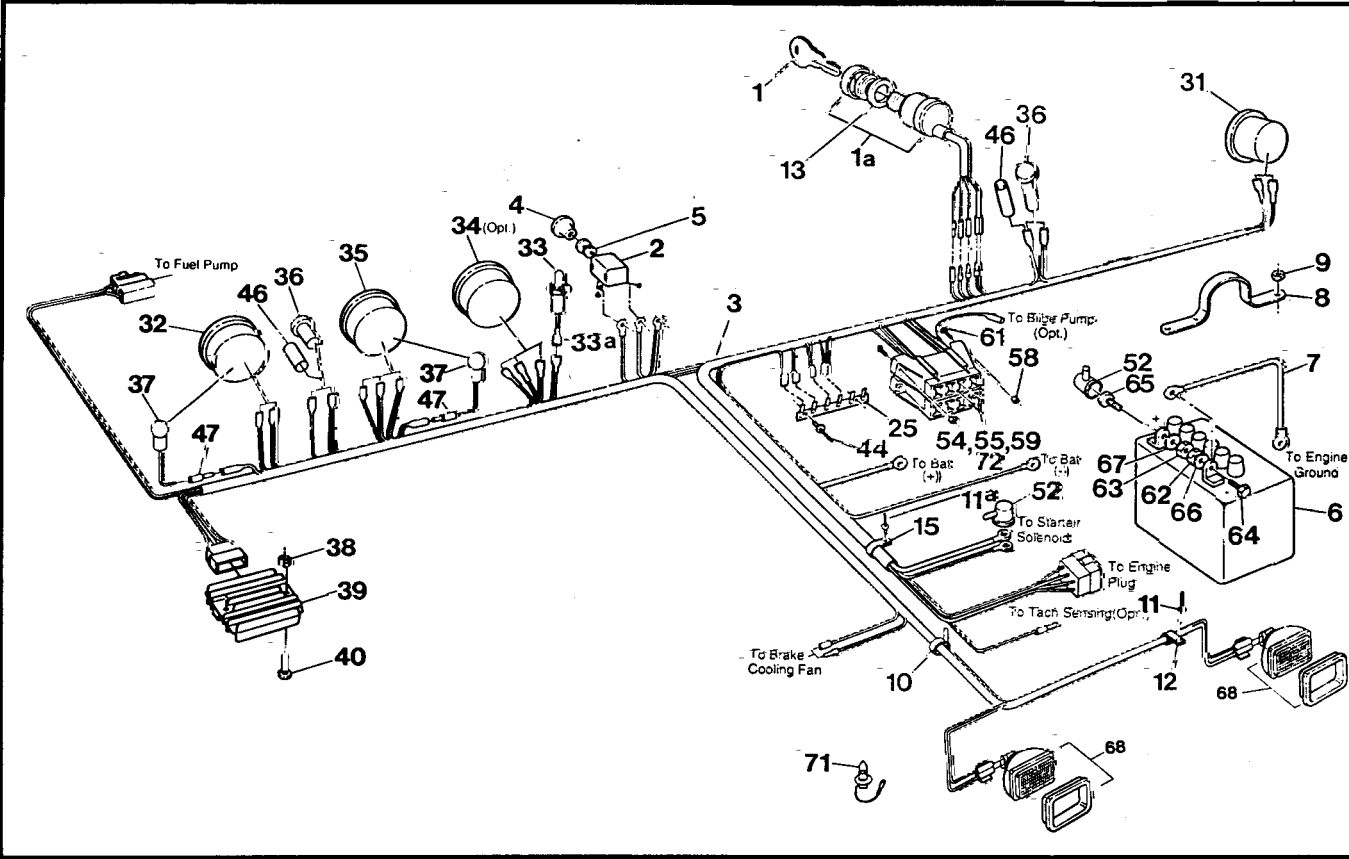
Ref	Part No.	Description	Qty	Ref	Part No.	Description	Qty
1	804-90	Frame Assem. - Conquest	1	26	112-03	SHSS 5/16-18x3/8 1/2 DOG, PL	10
2	605-69	Gasket - GRC-36 Mat'l	4	27	803-17	Chain, Idler RC50-2 x 40P	2
3	117-15	Nut, Fin Hex 3/8-16 Zinc	80	28	117-64	Insert, 1/4-20	4
4	108-46	Washer 13/32x1.375 Hi-Carb	16	29	112-31	HHCS 3/8-16x1.0 2B GR8	8
5	101-35	Bearing, Ball UC206A-20	12	30	112-14	HHCS 3/8-16x.750 GR5 Zc	2
5a	101-41	Bearing, Ball UC206A-16	8	31	108-15	Washer 3/8 SAE Zinc	1
6	108-06	Lockwasher, 3/8" S/R, Zinc	82	32	103-17	HHCS 3/8-16x1.00 GR5 Zc	2
7	103-88	C. Bolt, 3/8-16x1.00 GR5 Zc	30	43	603-17	Chain, RC50-2 x 42P - Front	2
8	605-99	Gasket, Flange	12	44	603-20	Chain, RC50-2 x 70P - Mid	2
9	605-89	Gasket, Outer Bearing Flnge.	12	45	603-21	Chain, RC50-2 x 96P - Rear (Refs 27, 43, 44 & 45 incl. Ref. 53)	4
10a	605-63	Flange, Bearing - Outer	16	46	117-35	Nut, Wheel 7/16-20 - Zinc	5x8
10b	101-20	Flange Assem., Bearing	12	47	125-26	Valve, Tire - (see Ref. 48)	8
11	102-14	Seal, Oil CR #12361	8	48	125-15C	Rim, Char. 8x7-5 Bolt (incl. Ref 47)	8
12	102-15	Seal, Oil CR #12379	8	49	126-96	Tire, Goodyear Runamuk 22x10-8, (see Refs 50 & 51)	8
13	605-97	Flange Assem, Outer (incl. Refs. 11 & 12)	8	50	126-98C	Tire & Rim Assem. - LH (incl. Refs 47, 48 & 49)	4
14	112-39	C. Bolt, 3/8-16 x 1-3/4"	16	51	126-97C	Tire & Rim Assem. - RH (incl. Refs 47, 48 & 49)	4
15	103-67	C. Bolt, 3/8-16 x 6" GR2 Zc	16	53	100-96	Con. Link, RC50-2 H.D.	1x 10
16	810-36	Bearing Extension (uses Refs. 17 & 18)	4	55	125-61	Spring, Tensioner	1x6
17	108-34	Washer, 7/16" SAE Zinc	24	56	603-61	Slider Block	2x6
18	103-81	HHCS, 7/16-20x2.5" GR5 Zc	24	57	125-78	Spring, Spacer	x6
19	103-80	Stud, Wheel 7/16-20 x 1.125 #B271, (see Refs. 20,21)	5x8	58	603-77	Arm, Chain Tensioner - Upr	x6
20	810-73	Axle Assembly - Front/Rear (incl. Ref. 19)	4	59	603-76	Arm, Chain Tensioner - Lwr	1x6
21	810-75	Axle Assembly - Mid (incl. Ref. 19)	4	60	100-01	Pin, Cotter 1/8 x 1.50 Zinc	1x6
22	810-45	Shaft, Idler - 11T	2	61	603-78	Pin, Pivot	1x6
23	604-84	Frame Assem., Battery	1	62	603-66	Spacer, .500 ID x .625 LG	1x6
24	810-28	Sprocket, Double - 24T	6	63	647-10	Chain Take-Up Replacement Kit (incl. Refs. 55 thru 62 as shown)	6
25	810-29	Sprocket, M/R Axle - 19 T	8				

8.Q Fuel System and Seat Assembly Conquest Parts Manual



Conquest Parts Manual 8.0 Fuel System and Seat Assembly

Ref	Part No.	Description	Qty	Ref	Part No.	Description	Qty
1	803-50	Handrail Assembly	1	21	608-42	Hose, Fuel - 110"	1
2	108-03	Lockwasher, Split Ring 1/4"	4	22	125-64	Filter, Fuel #G81-4	1
3	112-41	PHMS, PHIL 1/4-20x1.25 Zc	6	23	100-12	Clamp, Gear 2.25" HF-36	2
4	608-39	Back Pad Assembly	1	24	125-94	Hose, Filler	1
5	608-43	Seat, Bench	1	25	126-47	Fuel Neck Assembly	1
6	608-30	Angle, Left	1	26	126-46	Cap, Fuel	1
7	608-31	Angle, Right	1	27	127-21	Hose, Vent - 86"	1
9	103-72	Screw, IHWH T/C Slot 1/4-20 x 3/4	6	28	126-50	Connector, Male 1/4"	1
13	804-17	Frame Assem., Seat	1	29	126-94	Clamp, Nylon Wire, 1/4"ID	5
16	120-04	Washer .195IDx.50ODx.08	2	30	112-04	HHCS 1/4-20x3/4 GR2 Zinc	6
17	608-32	Tool Box	1	31	117-10	Locknut, Nylon #10-24 Zinc	12
18	608-28	Pickup Assem., Fuel	1	32	126-62	Clamp, Gear 1/4" 2-Ear	1
19	608-24	Tank, Fuel, (incl. Ref. 18)	1	33	126-93	Clamp, Nylon Wire, 1/2" ID	5
20	100-70	Clamp, Gear 1/2" HF-4	6	34	108-08	Washer 1/4 SAE Zinc	4
				35	120-09	Rivet, 3/16 x 1	7
				36	120-13	Rivet - 3/16x5/8	2
				37	702-06	Cushion, Foam	4
				38	117-54	Nut, Locking PAL 1/2-20 Zc	1
				39	112-07	RHMS, 10-24 x 1.25 Zinc	12
				40	108-42	Washer, .062x7/32 x 1 Zinc	12
				41	49040-2065	Pump, Fuel	1
				43	117-27	Locknut, Nylon 1/4-20 Zinc	2



Ref	Part No.	Description	Qty	Ref	Part No.	Description	Qty
1	100-39A	Key	1	44	120-15	Rivet, 1/8x7/16	2
1a	127-17	Switch, Ignition-Conquest (incl. Ref. 1)	1	46	118-48	Heat Shrink, 2 x 1/2	2
2	100-62	Switch, Light	1	47	118-02	Terminal, Male-#76-1251	2
3	613-61	Wire Harness-Conquest (incl. Fuse Holders)	1	52	613-46	Terminal Insulator (2 ga.)	2
4	126-76	Knob, Light	1	54	118-53	Fuse, 20A 2 prong (AT020)	1
5	108-55	Washer, External Tooth	1	55	118-49	Fuse, 15A 2 prong (AT015)	2
6	100-25	Battery, P-22NF245TL	1	58	117-10	Locknut, Nylon #10-24 Zinc	4
7	613-14	Wire, Ground - 14"	1	59	118-52	Fuse, 10A 2 prong (AT010)	3
8	604-52	Bracket, Battery Retaining	1	61	103-25	PHMS, #10-24x.750 Zinc	4
9	117-21	Locknut, Nylon 5/16-18 Zinc	2	62	117-20	Nut, Fin. Hex 1/4-20 Zinc	
10	100-64	Tie Rap, 5.5" - Black	7	63	117-03	Nut, Fin. Hex 5/16-18 Zinc	
11	120-09	Rivet 3/16x1	10	64	112-04	HHCS, 1/4-20x3/4" GR2 Zc	
11a	120-13	Rivet 3/16x5/8	6	65	112-01	HHCS, 5/16-18x3/4"GR5Zc	
12	126-93	Clamp, Nylon Wire -1/2" ID	16	66	108-08	Washer, 1/4" SAE Zinc	1
13	108-57	Lockwasher 3/4" Int. Tth Zc	1	67	108-24	Washer, 5/16" SAE Zinc	1
15	127-24	Clamp, Nylon - 1" I.D.	5	68	613-62	Headlamp Asm., Halogen	2
25	613-37	Terminal Strip, Ground	1	71	127-46	Bulb, Headlight-Halogen	2
31	632-15	Hourmeter, #56548-10 (#876EM)	1	72	118-51	Fuse, 30A 2 prong (AT030)	1
32	633-10	Voltmeter, #07583-15 (#830EM)	1				
33	634-09	Light Kit	1				
33a	118-05	Terminal, 1/4" Male Blade	1				
34	634-04	Tachometer Kit	1				
35	634-22	Gauge, Water Temperature	1				
36	634-08	Light, Indicator	2				
37	634-10	Light Kit, #06215-00	2				
38	117-27	Locknut, Nylon 1/4-20 Zinc	2				
39	21066-2070	Regulator, Voltage	1				
40	103-63	PHMS, PHIL 1/4-20x1.0 Zc	2				

ARGO Products Manufactured by:

Ontario Drive & Gear Limited

P.O. Box 280, Bleams Road

New Hamburg, Ontario

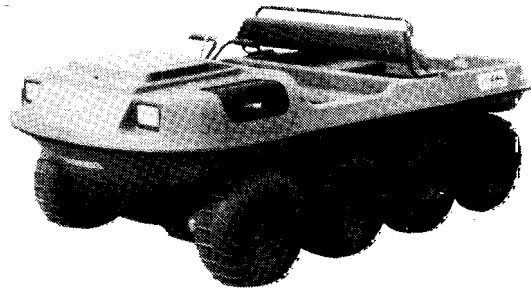
CANADA NOB 2G0

Phone: (519) 662-2840

Fax: (519) 662-2421

ODG *Dedicated to quality and performance*

Argo
CONQUEST



ARGO

CONQUEST PARTS MANUAL

**Model Nos. V894-37 &
V894-38**

From Serial #CB10847

Foreword

ODG has prepared this parts manual for the **CONQUEST** Models to assist both qualified mechanics and vehicle owners in ordering correct, quality replacement **ARGO** parts.

Proper and regular service, and replacing old, worn or broken parts with the correct **ARGO** replacement parts, are both essential to prolonging the life of the **ARGO**. Please refer to this parts manual before ordering any replacement part.

All information contained in this **CONQUEST** Parts Manual is based on the latest product specification available at time of printing. If your **CONQUEST** differs from the specifications contained in this manual, **contact Ontario Drive & Gear Limited for information.**

ODG reserves the right to alter specifications on the **CONQUEST** models at any time, without obligation or prior notification.

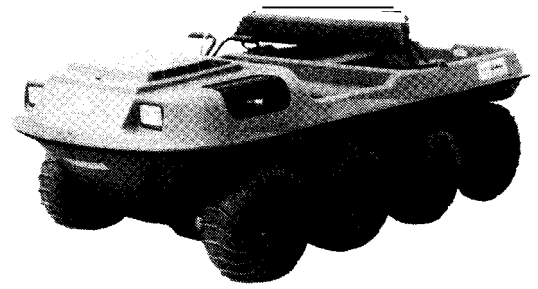
Reproduction of the **CONQUEST Parts Manual No. 89437** in whole or in part, is prohibited without prior written permission from **Ontario Drive & Gear Limited.**

Model Identification

CONQUEST - Model Nos. V894-37 and V894-38

Explanation of Parts Manual Format

- Reference Number between Assembly Diagram and Component Parts List
- Part No.** - Argo replacement part number for identification and re-ordering
- Description** - Part Description for identification and re-ordering
 - Indicates the quantity of a part used in an Assembly

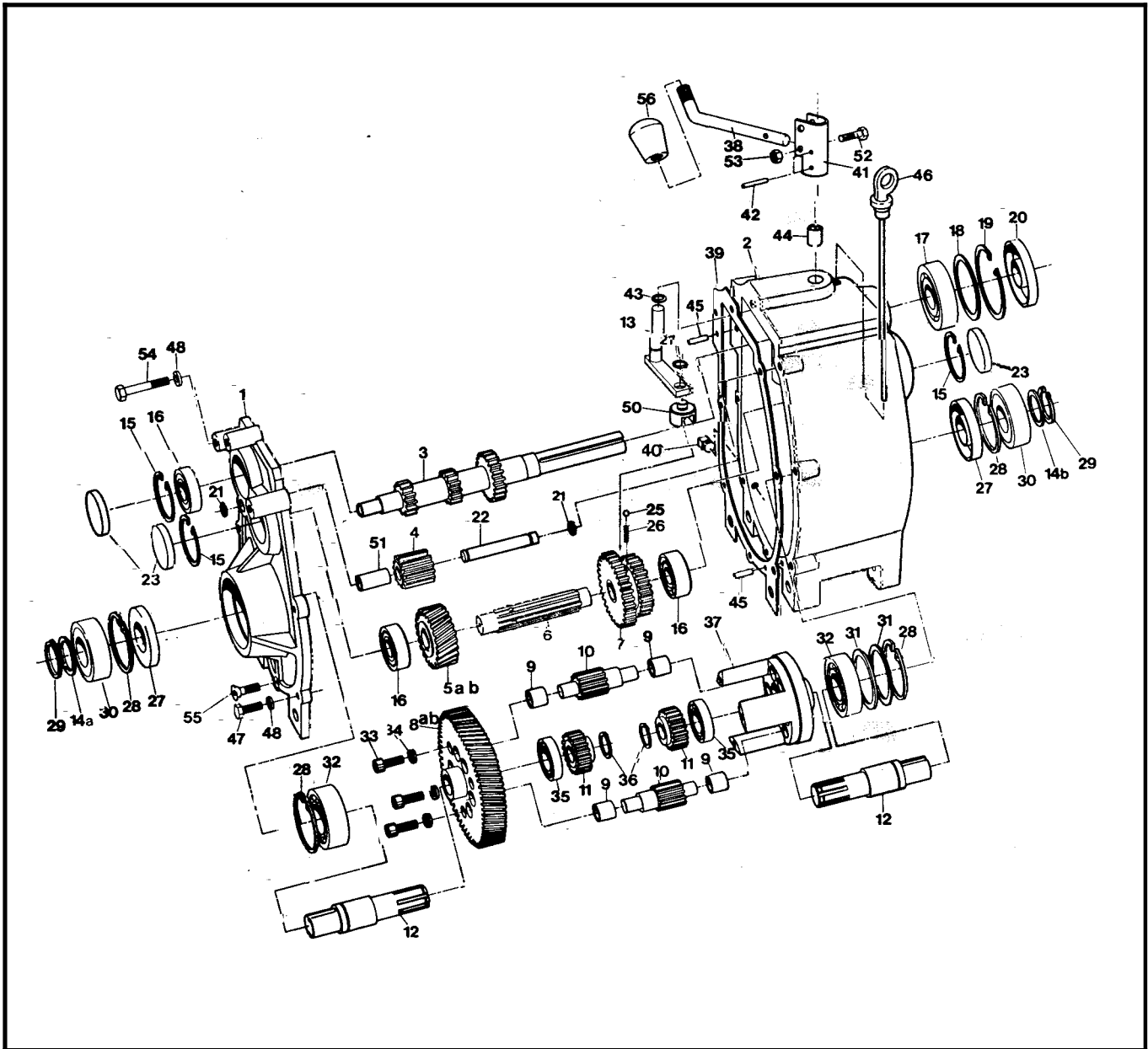


Using the Parts Manual

1. Find the major vehicle assembly in the Table of Contents on this page, and turn to that section.
2. Locate the part in the illustration that you wish to order.
3. Refer to the parts list in that section.
4. Find the correct part number (Part No.), part description (Description) and correct quantity (Qty).
5. Use *only* this information to order **ARGO** replacement parts. **DO NOT** attempt to order a replacement part by Ref number or Page number.

Table of Contents

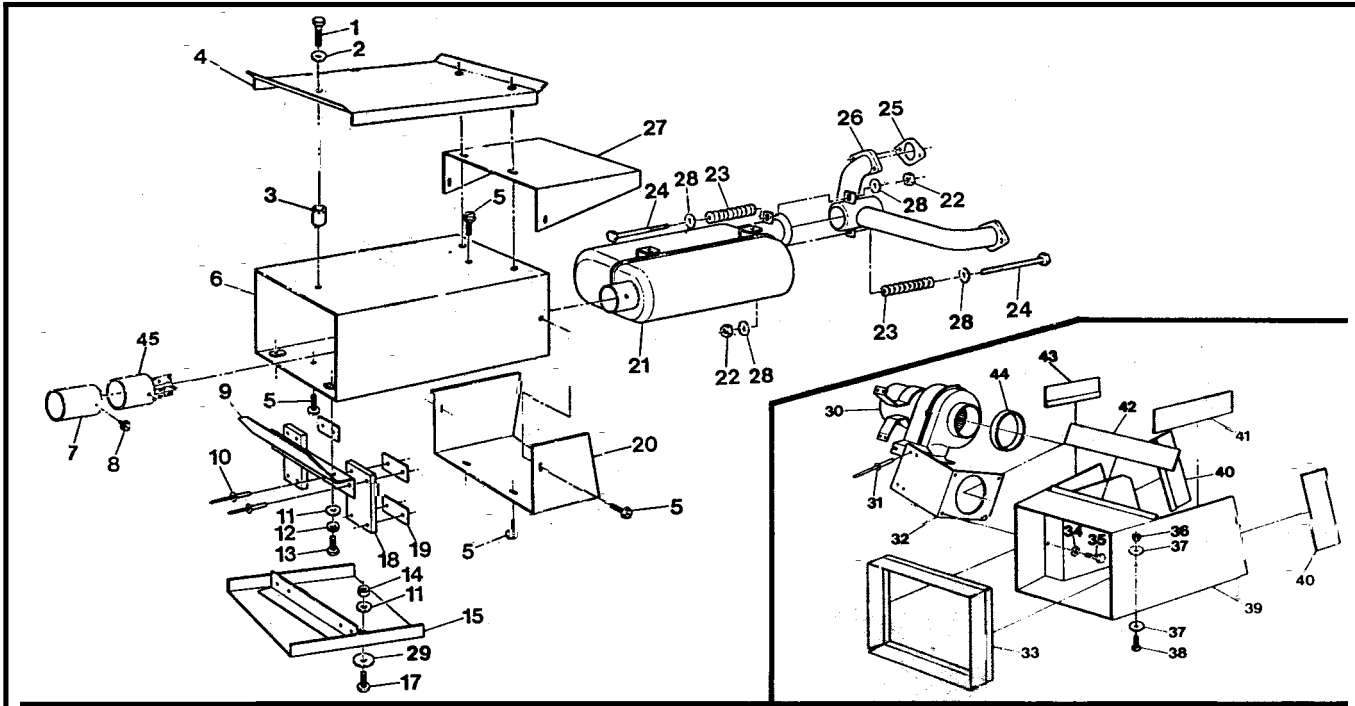
Foreword.....	i
Model Identification.....	i
Using the Parts Manual.....	ii
1.0 Transmission.....	1
2.0 Intake and Exhaust System.....	3
3.0 Clutch System.....	3
4.0 Power Pack Assembly.....	5
5.0 Brake System - Hydraulic.....	7
6.0 Vehicle Body & Firewall.....	9
7.0 Frame & Drive System.....	11
8.0 Fuel System & Seat Assembly.....	13
9.0 Electrical System.....	15



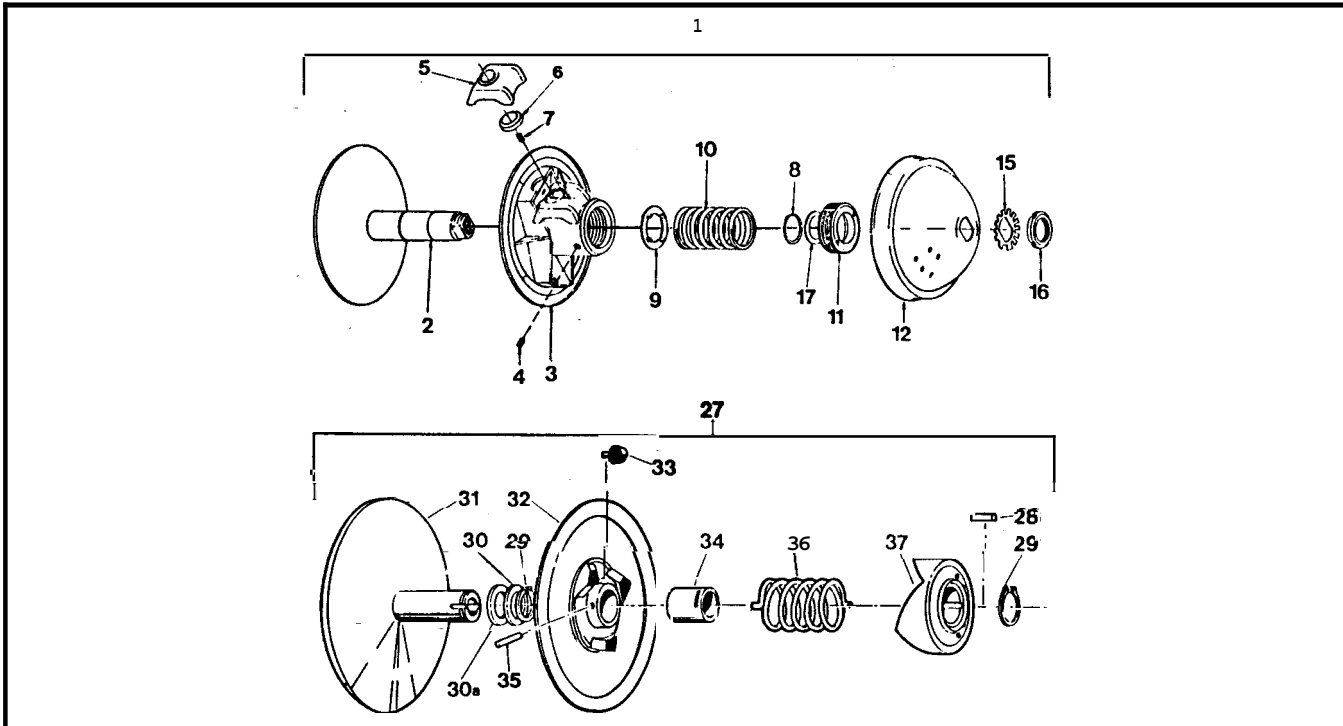
Conquest Parts Manual

1.0 Transmission

Ref	Part No.	Description	Qty	Ref	Part No.	Description	Qty
	610-17MU	Transmission Asm - MU, does not include Refs 38, 52 53 & 56 uses Refs 5a & 8a		26	34-32	Spring, Compression - 7/32 x .50	1
	610-17GI	Transmission Asm - GU, does not include Refs 38, 52 53, & 56 uses Refs 5b & 8b		27	102-03	Seal, Oil WBS 30x72x10	2
1	34-68	Cover, Transmission	1	28	106-03	Retaining Ring #5000-281PA	4
2	34-9s	Housing, Transmission	1	29	107-02	Retaining Ring N1400-118	2
3	34-21	Shaft, Input - 13/21 T	1	30	101-05	Bearing, Ball 6306-2NSEC3	2
4	34-16A	Gear Idler - 13T (incl. Ref 51)	1	31	114-01	Washer, Shim .020x2.25x2.8 1	2
5;	34-95	Gear, Helical - 24T (MU)	1	32	101-03	Bearing, Ball 6207-C 3	2
5l	34-97	Gear, Helical - 21T (GU)	1	33	103-04	SHCS, 5/16-18 x 1.00 PL	3
6	34-94	Shaft, Spline (all U)	1	34	108-02	Lockwasher, Hi-Collar 5/16, PL	3
7	34-91	Gear, Double - 26/33 T	1	35	101-15	Bearing, Ball 6005-C 3	2
8;	34-22	Gear Plate - 73T (M)	1	36	107-04	Retaining Ring N1400-98	2
8l	34-45	Gear Plate - 76T (G)	1	37	34-08	Cage	1
9	105-03	Bushing, Oilite -AA650	12	38	610-77	Shift Lever Rod	1
10	34-12	Gear, Planet -12 T	6	39	34-47	Gasket, Cover - 1/64 Thk	1
11	34-14	Gear, Sun - 21 T	2	40	103-02	Plug, Magnetic 3/8-18 NPT	1
11;	34-81	shaft , Output	2	41	34-86	Holder, Shift Lever	1
12	34-65	Shifter Assem.	1	42	111-01	Pin, Spirol 5/32 x 1.00	2
14e	114-04	Washer, Shim .040 Thk	1	43	113-01	O-Ring 012-7147	1
14t	114-05	Washer, Shim .020 Thk	1	44	105-02	Bushing, Oilite - AA628	1
15	106-01	Retaining Ring #5000-187P.	3	45	104-03	Pin, Dowel 1/4 x 7/8" long	2
16	101-01	Bearing, Ball 62042-C 3	3	46	34-77	Dipstick, with breather	1
17	101-16	Bearing, Ball 6206-C3	1	47	103-06	HHCS 5/16-18x1.00 GR5 Zinc	4
18	114-02	Washer, Shim 2.062	as eq.	48	108-05	Lockwasher 5/16 Zinc	7
19	106-05	Retaining Ring N1300-244	1	50	34-63	Shift Yoke	1
20	102-05	Seal, Oil WBS 30x62x10	1	51	105-05	Bushing, Oilite - AA650-3 (in Ref.4)	1
21	107-05	Retaining Ring N1400-50	3	52	103-97	HHCS 1/4-20x1.25 GR5 Zc	1
22	34-11	Pin, Dowel 1/2 x 3.50	1	53	117-27	Locknut, Nylon 1/4-20 Zinc	1
22	31-07	Plug plate	3	54		See Section 4.0	
25	109-05	Ball, Steel 6mm 62-67 Rc	1	55	103-95	FHSC 5/16-18x1.0 GR8 Zinc	1
				56	126-38	Knob, Shift	1



3.0 Clutch System



Conquest Parts Manual

2.0 Intake and Exhaust System

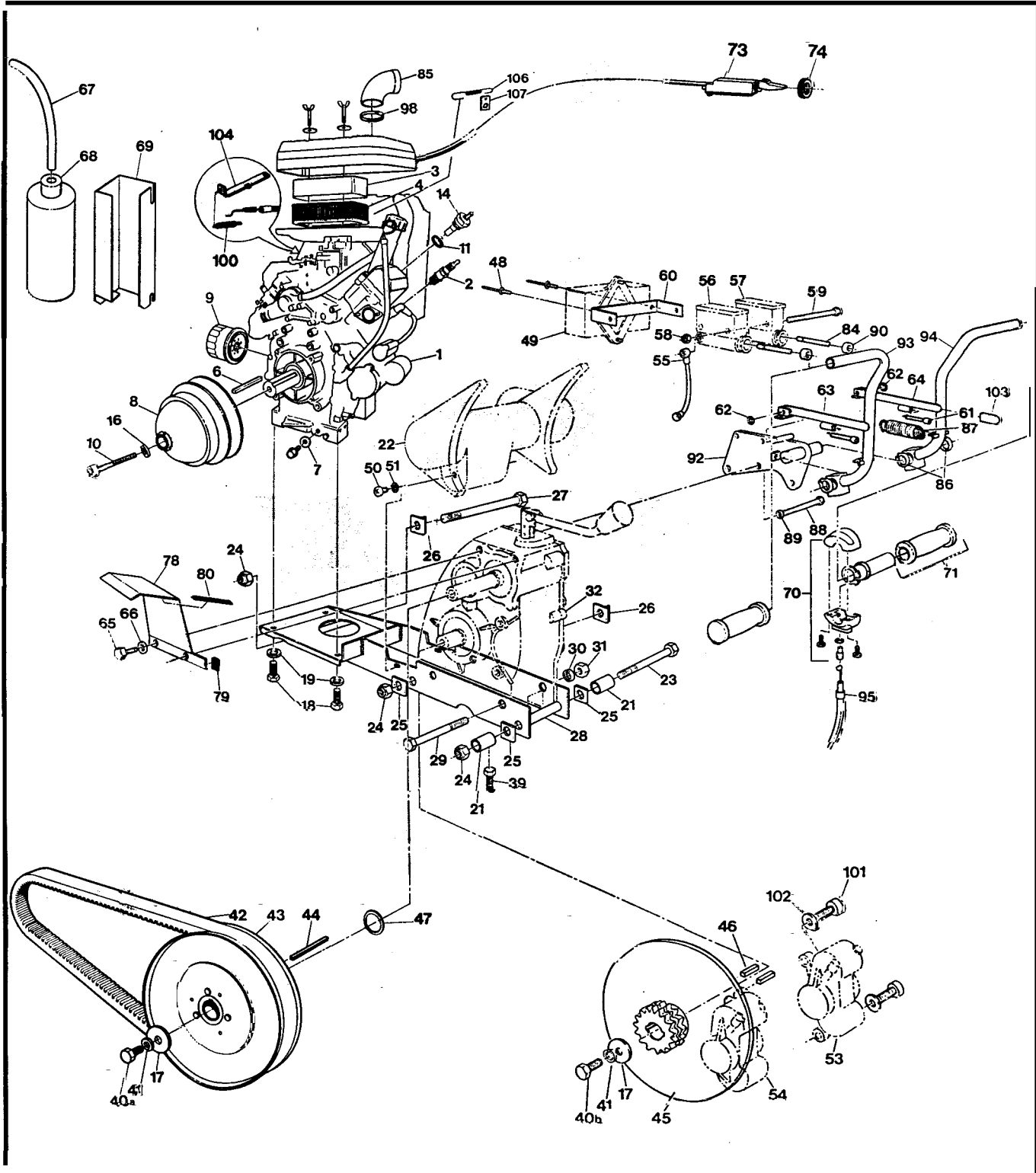
Ref	Part No.	Description	Qty
1	103-72	Screw, IHWH T/C 1/4-20x3/4	3
2	108-03	Lockwasher, 1/4 Split Ring	3
3	807-71	Spacer	3
4	807-72	Shield, Heat	1
5	112-19	Screw, IHWH T/C 1/4-20x.50	7
6	807-41	Shield Assem., Muffler	1
7	807-75	Pipe, Muffler Outlet	1
8	112-43	Screw	1
9	807-43	Support, Upper	1
10	120-09	Rivet 3/16x1	8
11	108-08	Washer 1/4 SAE Zinc	4
12	108-03	Lockwasher, 1/4 Split Ring	2
13	112-04	HHCS 1/4-20x3/4 GR2 Zinc	2
14	117-27	Locknut, Nylon 1/4-20 Zinc	2
15	807-49	Support, Lower	1
17	103-63	PHMS, PHIL 1/4-20x1.0 Zc	2
18	126-07	Support, Flex	2
19	807-69	Washer, Special	4
20	807-70	Cover, Lower	1
21	807-42	Muffler Assem. - Conquest	1
22	117-25	Nut, Conelock 5/16-18	2
23	100-10	Spring, Compression	2

Ref	Part No.	Description	Qty
24	112-18	SHCS, 5/16-18x2.25" PL	2
25	11060-2079	Gasket, Muffler	2
26	807-66	Manifold Assem.	1
27	807-38	Cover, Manifold	1
28	108-24	Washer, .34x.70x.06 Zc	4
29	108-01	Washer, Fender 1/4 BSx1.25OD	2
30		See Section 5.0	
31	120-13	Rivet 3/16x5/8	4
32	807-68	Bracket Assem., Fan	1
33	603-87	Seal, Radiator	1
34	108-03	Lockwasher, 1/4 Split Ring	4
35	112-04	HHCS 1/4-20x3/4 GR2 Zinc	4
36	117-27	Locknut, Nylon 1/4-20 Zinc	3
37	108-01	Washer, Fender 1/4 BSx1.25	6
38	103-63	PHMS, PHIL 1/4-20x1.0 Zc	3
39	807-35	Duct Assem., Intake	1
40	603-88C	Seal 9.62"	2
41	603-88B	Seal 8.49"	1
42	603-88D	Seal 11.66"	1
43	603-88A	Seal 7.09"	1
44	602-33	Vinyl Trim 9.8"	1
45	807-67	Spark Arrester	1

3.0 Clutch System

Ref	Part No.	Description	Qty
1	127-47	Clutch, Driver - Keyed (incl. Refs 2 to 17) PODB0005	1
2	0405-0005	Pulley, Half - Fixed	1
3	V023F	Pulley, Half - Sliding	1
4	V046	SHSS (use Loctite 242)	1
5	V05BCR	Block, Red	3
6	C13-266T	Weight - 266g	3
7	C24-L1	Anti-Noise Spring	3
8	V08C	Retaining Ring	1
9	V09	Spring Guide Plate	1
10	V10-48-105-17	Spring, Blue	1
11	V111	Bushing, Threaded	1
12	V1203A	Cap, Type "A"	1
15	V15	Lockwasher	1
16	V162	Locknut	1
17	X-35-MA	Spacer	1

Ref	Part No.	Description	Qty
27	126-24	Clutch, Driven Model "B" SODB0001 (incl. Refs 28 to 37)	1
28	ASK-5	Key 1/4x1/4x3/4	1
29	ASR-6	Retaining Ring N1400-150	2
30	ASA-1-S	Spacer .025" Thick	as req
30a	ASA-1	Spacer .050" Thick	as req
31	AFK25.4-250OD01	Pulley, Fixed - Half	1
32	AMC-2-250OD01	Pulley, Sliding - Half (incl. Refs. 33, 34 & 35)	1
33	ANS-2-T	Shoe, Cam	3
34	AMB-2	Bushing, Bronze	1
35	CCP-2-156	Pin, Spirol	1
36	ACS-3-188	Spring, Blue	1
37	AFC-4-C3D4	Cam, 2-Way Aluminum	1

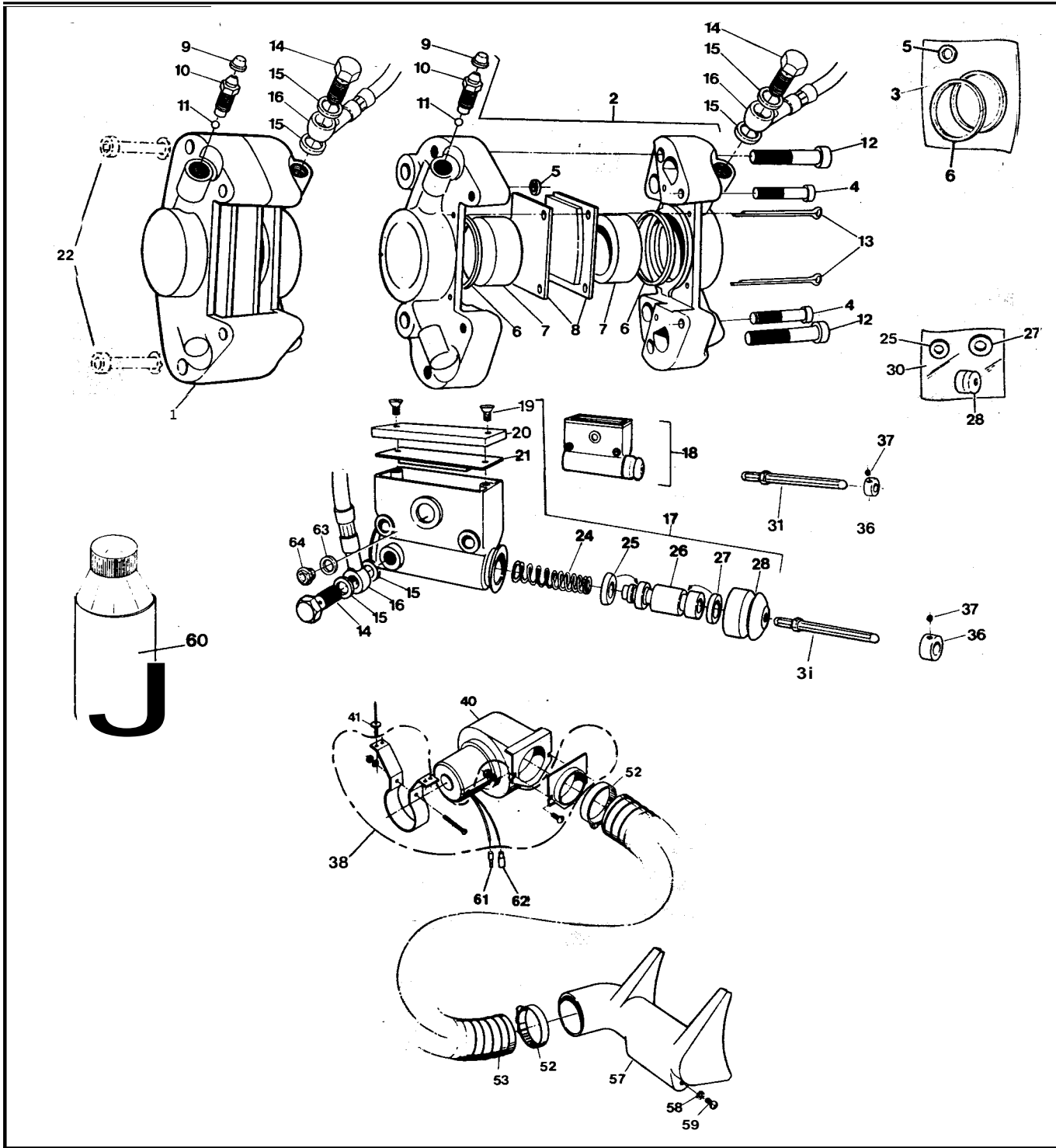


Conquest Parts Manual

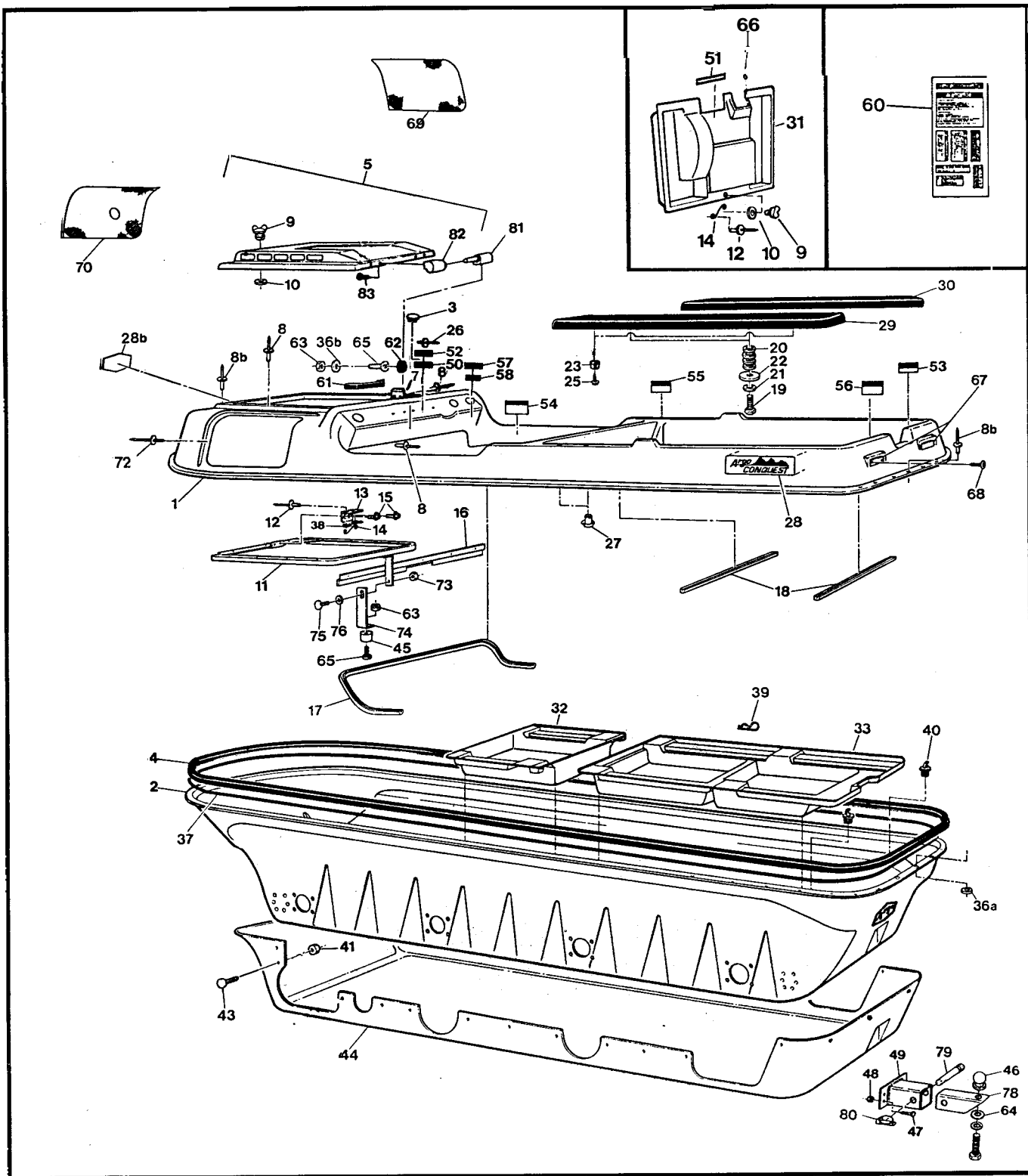
4.0 Power Pack Assembly

Ref	Part No.	Description	Qty
1	127-50	Engine - Kawasaki, FD620-BS12 (incl. Refs. 2, 3, 4, 7, 9, 11, 49, Exhaust Gasket)	1
2	92070-2072	Sparkplug, BMR4A	2
3	11013-2114	Element, Air Filter	1
4	11013-2139	Element, Air Filter	1
6	110-13	Key 1/4x1/4x2.25	1
7	11009-2566	Gasket, Drain Plug	1
8		See Section 3.0	
9	49065-2071	Filter, Oil	1
10	112-15	SHSC M10x1.5x90mm	1
11	11009-2765	Gasket	1
14	21176-2098	Sender	1
16	108-54	Lockwasher, Hi-Collar	1
17	108-18	Washer, 13/32x1.375x11GA	3
18	112-30	SHCS M8x1.25x20mm	4
19	108-05	Lockwasher 5/16 Zinc	4
21	811-14	Spacer	2
22		See Section 5.0	
23	112-57	HHCS 5/8-11x10.00 GR5 Zc	1
24	117-09	Locknut, Nylon 5/8-11 Zinc	3
25	811-09	Washer, Square, .64ID	3
26	811-10	Washer Asm, Square	2
27	112-58	HHCS 5/8-11x7.50 GR5 Zc	2
28	811-30	Frame, Powerpack - Conq.	1
29	103-20	HHCS 1/2-13x6.50 GR5 Zc	2
30	108-07	Lockwasher 1/2 Zinc	2
31	117-06	Nut, Fin Hex 1/2-13 Zinc	2
32		See Section 1.0	
39	103-53	HHCS 3/8-16x3.0 Full thread	2
40a	103-34	HHCS 3/8-16x1.25 GR5 Zc	1
40b	103-18	HHCS 3/8-24x1.25 GR5 Zc	2
41	108-06	Lockwasher, 3/8 S/R, Zinc	3
42	125-56	Drive Belt	1
43		See Section 3.0	
44	110-09	Key 1/4x1/4x3.0	1
45	810-01	Brake Disc #50-2x13T	2
46	110-14	Key 1/4x1/4x1.25	4
47	108-36	Washer .06x1.00x1.375 Zinc	as req
48	120-13	Rivet 3/16x5/8	2
49	21119-2120	Igniter	1

Ref	Part No.	Description	Qty
50 to		See Section 5.0	
57			
58	117-27	Locknut, Nylon, 1/4-20 Zinc	2
59	103-66	HHCS 1/4-20x4.00 GR5 Zc	2
60	610-75	Bracket, Igniter	1
61	103-69	SHCS 1/4-20x1.50 Zinc	2
62	113-02	O-Ring #106-7147	2
63	810-20	Lever Assem., Brake - LH	1
64	810-21	Lever Assem., Brake - RH	1
65	103-17	HHCS 3/8-16x1.00 GR5 Zc	2
66	108-26	Washer 3/8 Zinc	2
67	127-15	Hose, Auxiliary Tank	1
68	127-16	Bottle, Auxiliary Tank	1
69	127-14	Holder, Auxiliary Tank	1
70	100-57	Throttle Twist Grip	1
71	127-35	Grip, Molded	2
73	612-71	Cable Asm., Choke - Conq.	1
74	612-71N	Nut, Molded Panel	1
78	603-29	Guard, Belt Protect	1
79	601-92	Vinyl Trim - 1.5"	1
80	601-93	Vinyl Trim - 4.25"	1
84		See Section 5.0	
85	127-32	Duct Intake, Conquest	1
86	106-07	Retaining Ring N1400-75	4
87	127-33	Spring, Extension - Strg Lever	2
88	103-55	HHCS 5/16-18x2.75 GR5 Zc	3
89	108-05	Lockwasher 5/16 Zinc	3
90		See Section 5.0	
92	812-01	Bracket Asm, Steering	1
93	812-27	Lever Asm, Steering - LH	1
94	812-26	Lever Asm, Steering - RH	1
95	812-28	Cable Asm, Throttle - Conq.	1
98	92170-2075	Clamp	1
100	125-88	Spring, Return	1
101	103-41	SHCS, 3/8-16x1.25 Zinc	4
102	108-23	Washer 3/8 SAE GR8 - Dich.	4
103	126-89	Cap, Vinyl - Black	2
104	127-52	Bracket, Spring	1
106	127-30	Spring	1
107	601-86	Clip, Retainer	1

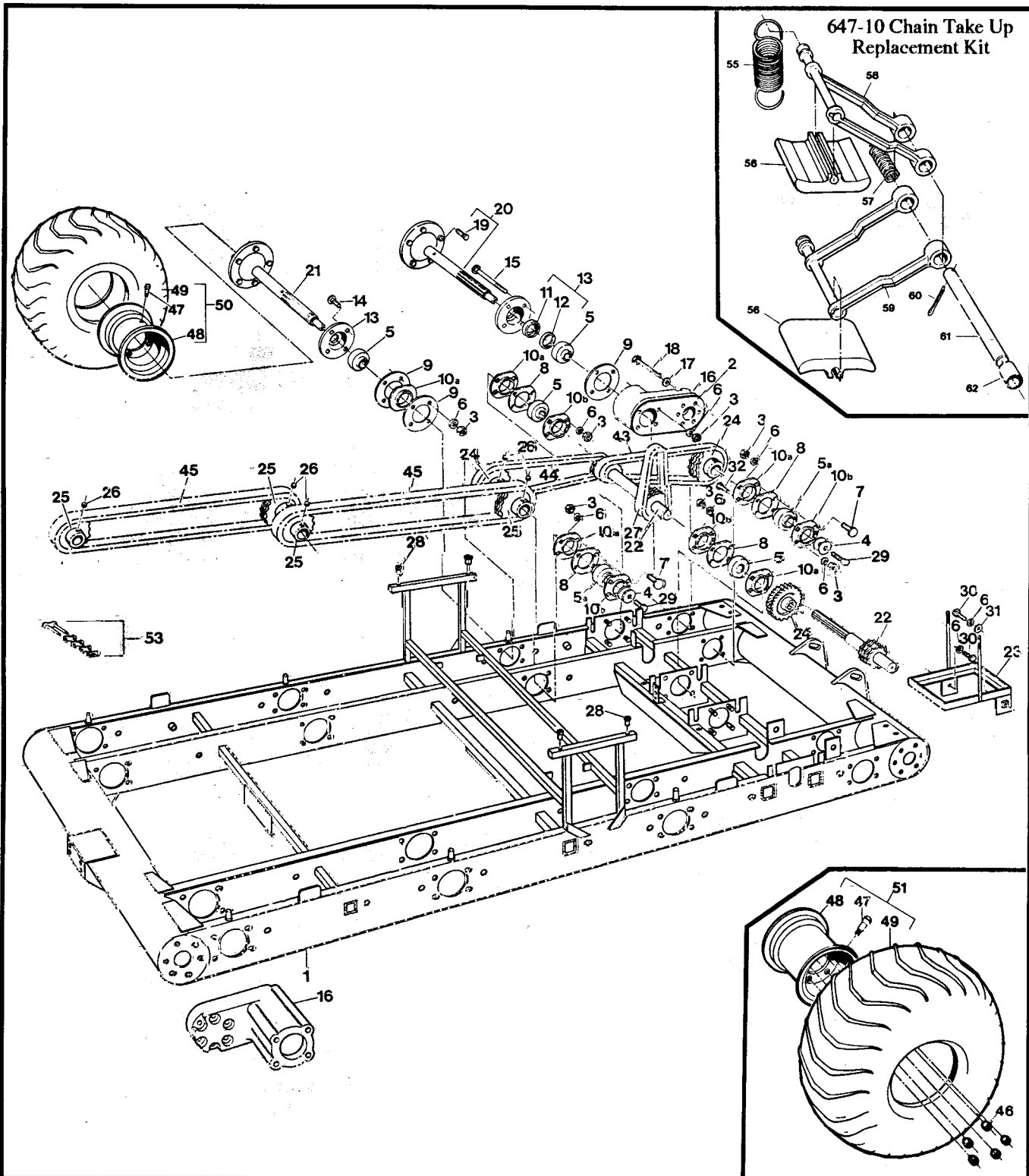


Ref	Part No.	Description	Qty	Ref	Part No.	Description	Qty
1	166-05	Caliper Asm , Brake - L (incl. Refs 5 to 13)	1	38	125-92	Adpt. & Mounting Kit - includes the following:	1
2	166-06	Caliper Asm, Brake - R (incl. Refs 5 to 13)	1			Mounting Bracket	1
3	161-01	O-Ring Kit, Caliper (incl. Refs 5 & 6)	2			Nut, #10-32	1
4	160-40	SHCS M8x1.25x40 ZN	2			Lockwasher, 3/16"	1
5		Seal, Rubber-5mm (see Ref 3)	1			Screw, #10-32 x 2"	1
6		Seal, Piston-41mm (see Ref 3)	2			Nut, 1/4-20	2
7	168-05	Piston 41mm	x2			Lockwasher, 1/4"	2
8	170-02	Brake Pad Set(4) - Metallic	1			Screw, 1/4-20x 5/8"	2
9	168-20	Plug, Rubber	x2	40	125-91	Blower Fan	1
10	168-03	Screw, Bleeding M10x1.0	x2	41		See Section 2.0	
11	168-04	Ball, Check - 7/32 Dia.	x2	52	125-35	Clamp, Gear 3.50 HF-52	2
12	160-41	SHCS M10x1.5x50mm Zinc	x2	53	127-06	Hose, Intake 3" dia. x 26"	1
13	168-06	Pin, Cotter M3.2x50mm	x2	57	126-36	Brake Cool Air Duct	1
14	160-44	Bolt, Banjo-M10x1.0x 21.0 zinc	4	58	108-56	Lockwasher 1/4 Ext. Tooth	2
15	160-01	Washer, Copper - 1.5x10.0x 14.0	8	59	103-96	PHMS, Phil 1/4-20x5/8 Zinc	2
16	163-01	Hose Asm,Hydraulic-300mm	x2	60	126-15	Fluid, Brake-Silicon Dot 5 - .35L	
17	165-06	Master Cylinder, (incl. Refs 19 to 21, 24 to 28, 63 & 64)	1	61	118-02	Terminal, Male-#76-1251	1
18	165-05	Master Cylinder, (incl. Refs 19 to 21, 24 to 28, 63 & 64)	1	62	118-03	Terminal, Female - #76-1285	1
19	160-42	FHMS M5x0.8x6mm	x2	63	160-02	O-Ring, Oil Window	x2
20	168-08	Cover	x2	64	168-14	Oil Window, Mstr. Cylinder	x2
21	168-09	Cover, Rubber	x2				
22		See Section 4.0					
24	162-02	Spring, Return	x2				
25		Seal, Primary, 19mm (See Ref. 30)	x2				
26	168-10	Piston 19mm dia.	x2				
27		Seal, Secondary, 19mm (See Ref. 30)	x2				
28		Boot, Rubber, (See Ref. 30)	x2				
30	161-25	O-Ring Kit-Master Cylinder (incl.Refs 25, 27 & 28)	x2				
31	812-13	Pin Asm, Plunger-Adjustable	2				
36	812-17	Pin Stop	2				
37	112-02	SHSS 10-24x1/4 Knurl Cup PT,PI	4				



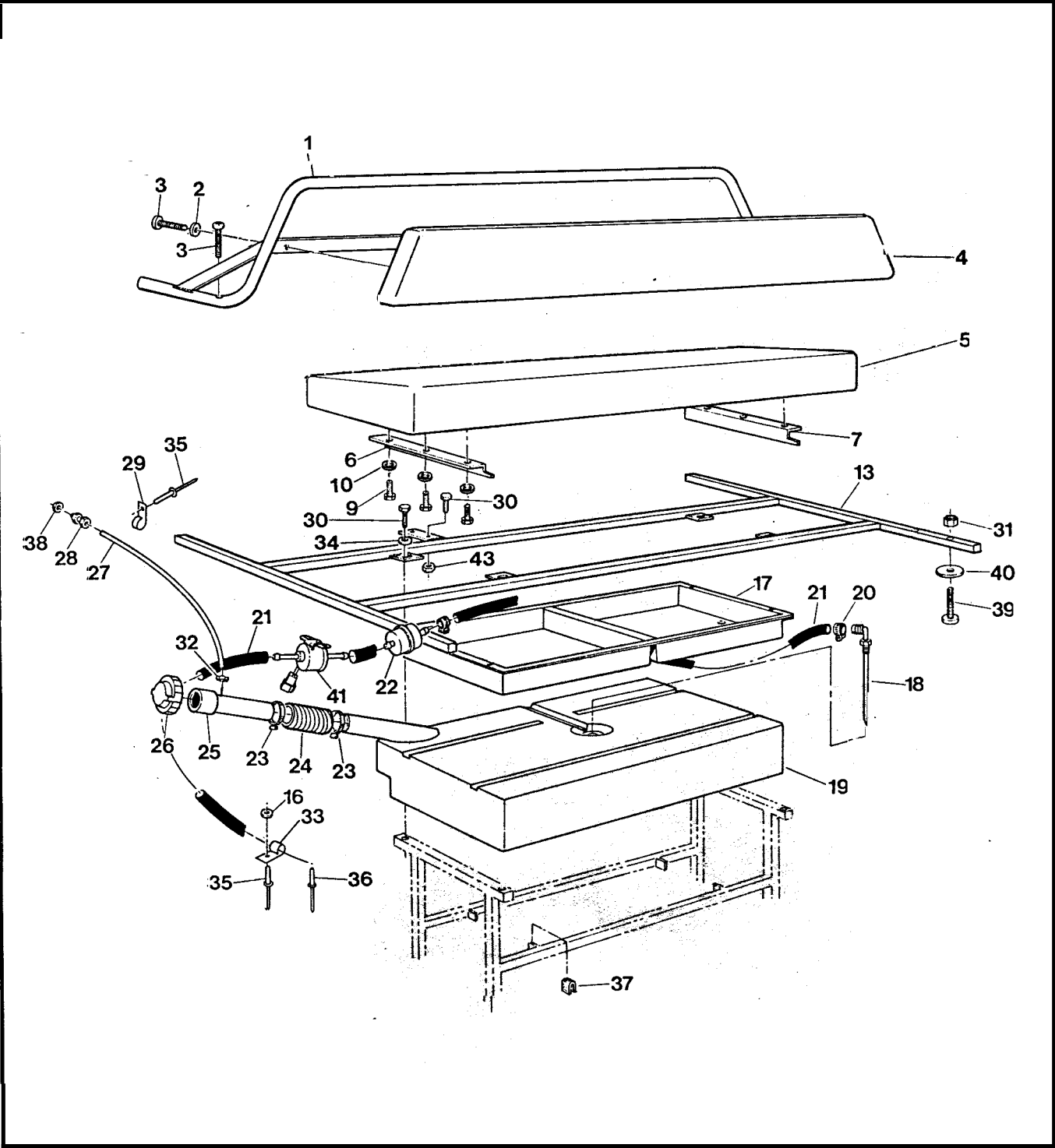
Ref	Part No.	Description	Qty
1	801-98	Body, Upper - Conquest, (specify colour) (incl. Ref. 11, 12, 13, 14, 15, 5)	1
2	801-43	Body, Lower - Conquest (specify colour)	1
3	127-28	Plug, Nylon - Black	1
4	801-05	Bumper, Vinyl - 8x8	1
5	602-34	Hood Kit, - Conquest, (spec. colour) (incl. 7,8,9,10,81,82,83)	1
7	602-38	Clip, Hood	1
8	120-13	Rivet 3/16x5/8	23
8b	120-09	Rivet 3/16x1	63
9	126-10	Wing Stud	2
10	126-09	Grommet, Alum. #GH-7	2
11	602-24	Frame Assem., Hood	1
12	120-15	Rivet 1/8x7/16	4
13	601-69	Spring Plate	1
14	126-11	Spring	2
15	103-72	Screw, IHWH T/C Slot 1/4-20 x 0.5"	2
16	602-29	Brace, Dash	1
17	601-08	Trim, Vinyl 84"	1
18	601-09	Trim, Vinyl 28"	2
19	112-04	HHCS, 1/4-20x3/4" GR2 Zc	4
20	108-25	Washer, Plate 1/4 Zinc	16
21	108-03	Lockwasher, 1/4 Split Ring	4
22	801-41	Washer, Seat	4
23	126-79	Bumper, Plastic - Black	4
25	103-48	T/S Pan HD PHIL #10x5/8"	4
26	120-24	Rivet, 3/32x3/8 Alum. (all plates)	22
27	117-44	T-Nut 1/4-20 PL	4
28	127-27	Nameplate - Conquest	2
28b	601-44	Nameplate - Argo	1
29	801-03	Seat, Rear LH, 8x8	1
30	801-02	Seat, Rear RH, 8x8	1
31	609-33	Firewall - Conquest	1
32	803-02	Floor Pan - Frnt - (specify clr)	1
33	803-03	Floor Pan - Rear - (specify clr)	1
36a	120-04	Washer .195IDx.50ODx.080	57
36b	120-05	Washer .195IDx.50x.040 Zc	2
37	126-60	Seal, Vinyl 1/2"x1/4"x37.5'	1
38	120-05	Washer	2

Ref	Part No.	Description	Qty
39	100-16	Clip, Hitch Pin 1.625 Zinc	6
40	100-18	Plug, Drain 5/8"x13/32"	2
41	120-28	Collar, Magna Grip	32
43	120-27	Pin, Magna Grip	32
44	863-11	Skid Plate, 8x8 - Black	1
45	126-88	Bumper, Rubber	1
46	100-61	Coupler Ball (c/w Bolt+Wshr)	1
47	103-61	HHCS 3/8-24x1.50 GR5 Zc	4
48	117-24	Locknut, Nylon 3/8-24 Zinc	4
49	616-16	Hitch Assembly	1
50		Vehicle ID Plate, Alum.	1
51	126-65	Plate, Shifting	1
52	127-26	Plate, Steering Lever+Winch	1
53	126-67	Plate, Floor Pan	1
54	126-68	Plate, Operation	1
55	126-69	Plate, Fuel	1
56	126-70	Plate, Vehicle Capacity	1
57	126-72	Plate, Holding Brake	1
58		U.S. Plate, Non-U.S. Argos only	1
60	126-73	Decals, French Language (incl. 50 to 58 available as set only)	1
61	125-41	Handle, Dash (incl. 62)	1
62		Plug cap, (avail. only with 61)	2
63	117-10	Locknut, Nylon #10-24 Zinc	3
64	108-53	Washer, 3/4x1.5x.125 SAE	1
65	103-25	PHMS #10-24x.750 Zinc	3
66	125-84	Grommet, Rubber	1
67	127-01	Reflector, Red	2
68	103-48	Pan HD PHIL T/S #10x5/8	4
69	807-73	Screen, Intake - Conquest	1
70	807-74	Screen, Exhaust - Conquest	1
72	120-11	Rivet - 5/32 x 9/16	28
73	117-15	Nut, Fin Hex 3/8-16 Zinc	1
74	602-27	Support, Adjustable	1
75	103-89	C/Bolt 3/8-16x.75 GR2 Zinc	1
76	108-06	Lockwasher, 3/8 S/R, Zinc	1
78	616-19	Tube, Hitch - Insert	1
79	104-13	Pin, Top Link	1
80	104-11	Pin, Lynch	1
81	127-45A	Pin, Hinge	2
82	127-45B	Knuckle, Hinge	2
83	103-47	HHCS 10-24x3/8"	8



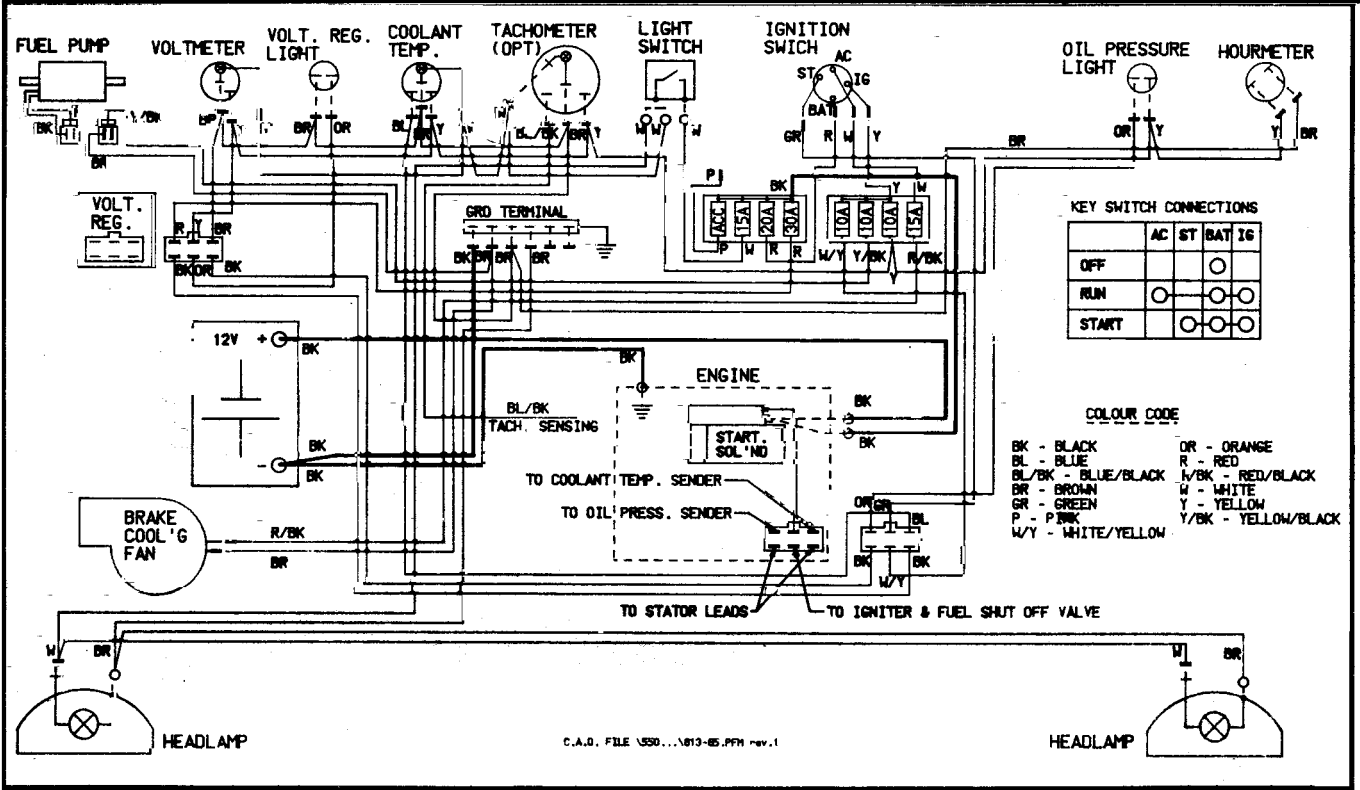
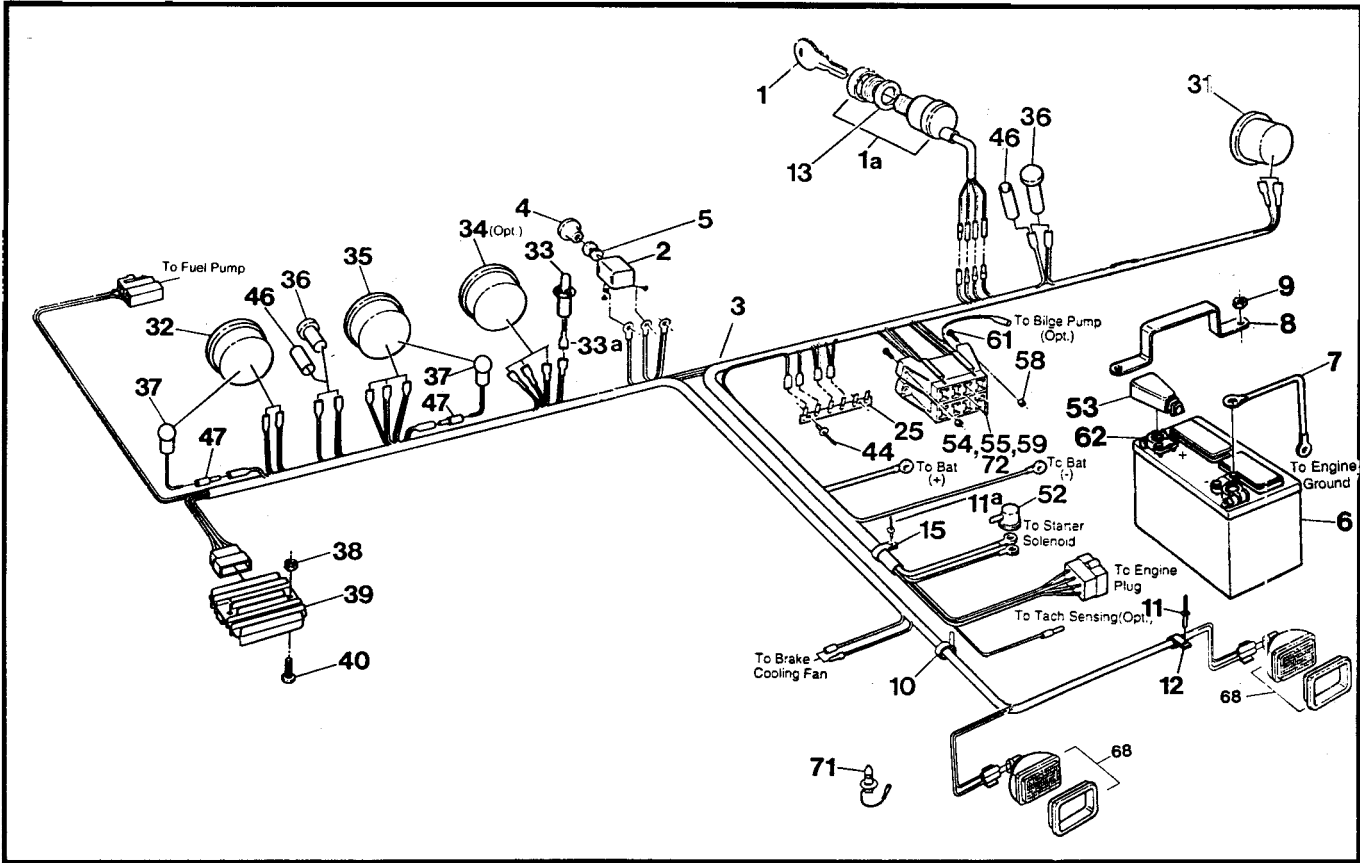
Ref	Part No.	Description	Qty	Ref	Part No.	Description	Qty
1	804-90	Frame Assem. - Conquest	1	26	112-03	SHSS5/16-18x3/8 1/2 DOG PL	10
2	605-69	Gasket - GRC-36 Mat'l	4	27	803-17	Chain, Idler RC50-2 x 40P	2
3	117-15	Nut, Fin Hex 3/8-16 Zinc	80	28	117-64	Insert, 1/4-20	4
4	108-46	Washer 13/32x 1.375 Hi-Carl	16	2s	112-31	HHCS 3/8-16x1.0 2B GR8	8
5	101-35	Bearing, Ball #1030-1.25 GFS	12	3c	112-14	HHCS 3/8-16x.750 GR5 Zc	2
5a	101-41	Bearing, Ball #1030-1 GFS	8	31	108-15	Washer 3/8 SAE Zinc	1
6	108-06	Lockwasher, 3/8" S/R, Zinc	82	32	103-82	HHCS 3/8-16x1.5 GR5 Zc	2
7	103-88	C. Bolt, 3/8-16x1.00 GR5 Zc	30	43	603-17	Chain, RC50-2 x 42P - Front	2
8	605-99	Gasket, Flange	12	44	603-20	Chain, RC50-2 x 70P - Mid	2
9	605-89	Gasket, Outer Bearing Flnge.	12	45	603-21	Chain, RC50-2 x 96P - Rear (Refs 27, 43, 44 & 45 incl. Ref. 53)	4
10a	605-63	Flange, Bearing - Outer	16	46	117-35	Nut, Wheel 7/16-20 - Zinc	x8
10b	101-20	Flange Assem., Bearing	12	47	125-26	Valve, Tire - (see Ref. 48)	8
11	102-14	Seal, Oil CR #12361	8	48	125-15C	Rim, Char. 8x7-5 Bolt (incl. Ref 47)	8
12	102-15	Seal, Oil CR #12379	8	49	126-96	Tire, Goodyear Runamuk 22x10-8, (see Refs 50 & 51)	8
13	605-97	Flange Assem, Outer (incl. Refs. 11 & 12)	8	50	126-98C	Tire & Rim Assem. - LH (incl. Refs 47, 48 & 49)	4
14	112-39	C. Bolt, 3/8-16 x 1-3/4	16	51	126-97C	Tire & Rim Assem. - RH (incl. Refs 47, 48 & 49)	4
15	103-67	C. Bolt, 3/8-16 x 6" GR2 Zc	16	53	100-96	Con. Link, RC50-2 H.D.	1x
16	810-36	Bearing Extension (uses Refs. 17 & 18)	4	55	125-61	Spring, Tensioner	10 x6
17	108-34	Washer, 7/16" SAE Zinc	24	56	603-61	Slider Block	x6
18	103-81	HHCS, 7/16-20x2.5" GR5 Zc	24	57	125-78	Spring, Spacer	x6
19	103-80	Stud, Wheel 7/16-20x 1.125 #B271, (see Refs. 20,21)	x8	58	603-77	Arm, Chain Tensioner - Upr	x6
20	810-73	Axle Assembly - Front/Rear (incl. Ref. 19)	4	59	603-76	Arm, Chain Tensioner - Lwr	x6
21	810-75	Axle Assembly - Mid (incl. Ref. 19)	4	60	100-01	Pin, Cotter 1/8 x 1.50 Zinc	x6
22	810-45	Shaft, Idler - 11T	2	61	603-78	Pin, Pivot	x6
23	604-84	Frame Assem., Battery	1	62	603-66	Spacer, .500 ID x .625 LG	x6
24	810-28	Sprocket, Double - 24T	6	63	647-10	Chain Take-Up Replacement Kit (icl. Refs. 55 thru 62 as shown)	6
25 1	810-29	Sprocket, M/R Axle - 19T	8				

8.0 Fuel System and Seat Assembly Conquest Parts Manual



Conquest Parts Manual 8.0 Fuel System and Seat Assembly

Ref	Part No.	Description	Qty	Ref	Part No.	Description	Qty
1	803-50	Handrail Assembly	1	21	608-42	Hose, Fuel - 110"	1
2	108-03	Lockwasher, Split Ring 1/4"	4	22	125-64	Filter, Fuel #G81-4	1
3	112-41	PHMS, PHIL 1/4-20x1.25 Zc	6	23	100-12	Clamp, Gear 2.25" HF-36	2
4	608-39	Back Pad Assembly	1	24	125-94	Hose, Filler	1
5	608-43	Seat, Bench	1	25	126-47	Fuel Neck Assembly	1
6	608-30	Angle, Left	1	26	126-46	Cap, Fuel	1
7	608-31	Angle, Right	1	27	127-21	Hose, Vent - 86"	1
9	112-04	HHCS 1/4-20x3/4" Gr2 Zn	6	28	126-50	Connector, Male 1/4"	1
10	108-03	Lockwasher 1/4 Split Ring Zn	6	29	126-94	Clamp, Nylon Wire, 1/4"ID	5
13	804-17	Frame Assem., Seat	1	30	112-04	HHCS 1/4-20x3/4 GR2 Zinc	6
16	120-04	Washer .195IDx.50ODx.08	2	31	117-10	Locknut, Nylon #10-24 Zinc	12
17	608-32	Tool Box	1	32	126-62	Clamp, Gear 1/4" 2-Ear	1
18	608-28	Pickup Assem., Fuel	1	33	126-93	Clamp, Nylon Wire, 1/2" ID	5
19	608-24	Tank, Fuel, (incl. Ref. 18)	1	34	108-08	Washer 1/4 SAE Zinc	4
20	100-70	Clamp, Gear 1/2" HF-4	6	35	120-09	Rivet, 3/16 x 1	7
				36	120-13	Rivet - 3/16x5/8	2
				37	702-06	Cushion, Foam	4
				38	117-54	Nut, Locking PAL 1/2-20 Zc	1
				39	112-07	RHMS, 10-24 x 1.25 Zinc	12
				40	108-42	Washer, .062x7/32 x 1 Zinc	12
				41	49040-2065	Pump, Fuel	1
				43	117-27	Locknut, Nylon 1/4-20 Zinc	2



C.A.D. FILE US30...1813-85.PPH rev.1

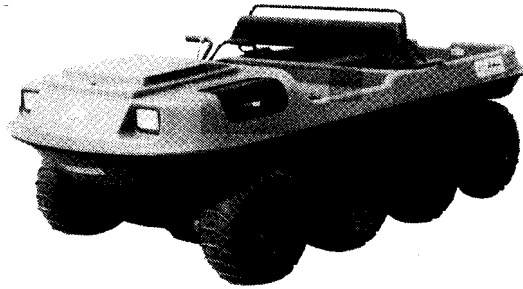
Ref	Part No.	Description	Qty	Ref	Part No.	Description	Qty
1	100-39A	Key	1	44	120-15	Rivet, 1/8x7/16	2
1a	127-17	Switch, Ignition-Conquest (incl. Ref. 1)	1	46	118-48	Heat Shrink, 2 x 1/2	2
2	100-62	Switch, Light	1	47	118-02	Terminal, Male-#76-1251	2
3	613-61	Wire Harness-Conquest (incl. Fuse Holders)	1	52	613-46	Terminal Insulator (2 ga.)	1
4	126-76	Knob, Light	1	53	127-55	Cap, Battery Terminal	1
5	108-55	Washer, External Tooth	1	54	118-53	Fuse, 20A 2 prong (AT020)	1
6	127-54	Battery, P-22NF245TL	1	55	118-49	Fuse, 15A 2 prong (AT015)	2
7	613-14	Wire, Ground - 14"	1	58	117-10	Locknut, Nylon #10-24 Zinc	4
8	604-52	Bracket, Battery Retaining	1	59	118-52	Fuse, 10A 2 prong (AT010)	3
9	117-21	Locknut, Nylon 5/16-18 Zinc	2	61	103-25	PHMS, #10-24x.750 Zinc	4
10	100-64	Tie Wrap, 5.5" - Black	7	62	127-56	Terminal, Battery Post	2
11	120-09	Rivet 3/16x1	10	68	613-62	Headlamp Asm., Halogen	2
11a	120-13	Rivet 3/16x5/8	6	71	127-46	Bulb, Headlight-Halogen	2
12	126-93	Clamp, Nylon Wire -1/2" ID	16	72	118-51	Fuse, 30A 2 prong (AT030)	1
13	108-57	Lockwasher 3/4" Int. Tth Zc	1				
15	127-24	Clamp, Nylon - 1" I.D.	5				
25	613-37	Terminal Strip, Ground	1				
31	632-15	Hourmeter, #56548-10 (#876EM)	1				
32	633-10	Voltmeter, #07583-15 (#830EM)	1				
33	634-09	Light Kit	1				
33a	118-05	Terminal, 1/4" Male Blade	1				
34	634-04	Tachometer Kit	1				
35	634-22	Gauge, Water Temperature	1				
36	634-08	Light, Indicator	2				
37	634-10	Light Kit, #06215-00	2				
38	117-27	Locknut, Nylon 1/4-20 Zinc	2				
39	21066-2070	Regulator, Voltage	1				
40	103-63	PHMS, PHIL 1/4-20x1.0 Zc	2				

***ARGO* Products Manufactured by:**

Ontario Drive & Gear Limited
P.O. Box 280, Bleams Road
New Hamburg, Ontario
CANADA NOB 2G0
Phone: (519) 662-2840
Fax: (519) 662-2421

ODG *Dedicated to quality and performance*

Argo
CONQUEST



ARGO

CONQUEST

PARTS MANUAL

**Model Nos. V894-37 &
V894-38**
From Serial #CB10847

Foreword

ODG has prepared this parts manual for the **CONQUEST** Models to assist both qualified mechanics and vehicle owners in ordering correct, quality replacement **ARGO** parts.

Proper and regular service, and replacing old, worn or broken parts with the correct **ARGO** replacement parts, are both essential to prolonging the life of the **ARGO**. Please refer to this parts manual before ordering any replacement part.

All information contained in this **CONQUEST** Parts Manual is based on the latest product specification available at time of printing. If your **CONQUEST** differs from the specifications contained in this manual, **contact Ontario Drive & Gear Limited for information.**

ODG reserves the right to alter specifications on the **CONQUEST** models at any time, without obligation or prior notification.

Reproduction of the **CONQUEST Parts Manual No. 894-37** in whole or in part, is prohibited without prior written permission from **Ontario Drive & Gear Limited.**

Model Identification

CONQUEST - Model Nos. V894-37 and V894-38

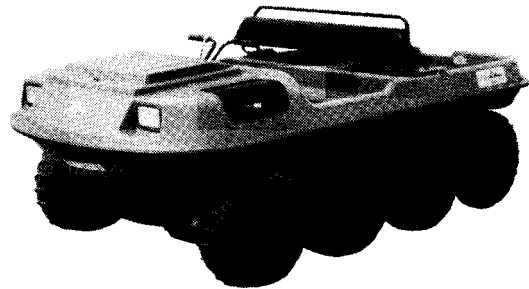
Explanation of Parts Manual Format

Reference Number between Assembly Diagram and Component Parts List

Part No. - Argo replacement part number for identification and re-ordering

Description - Part Description for identification and re-ordering

Indicates the quantity of a part used in an Assembly

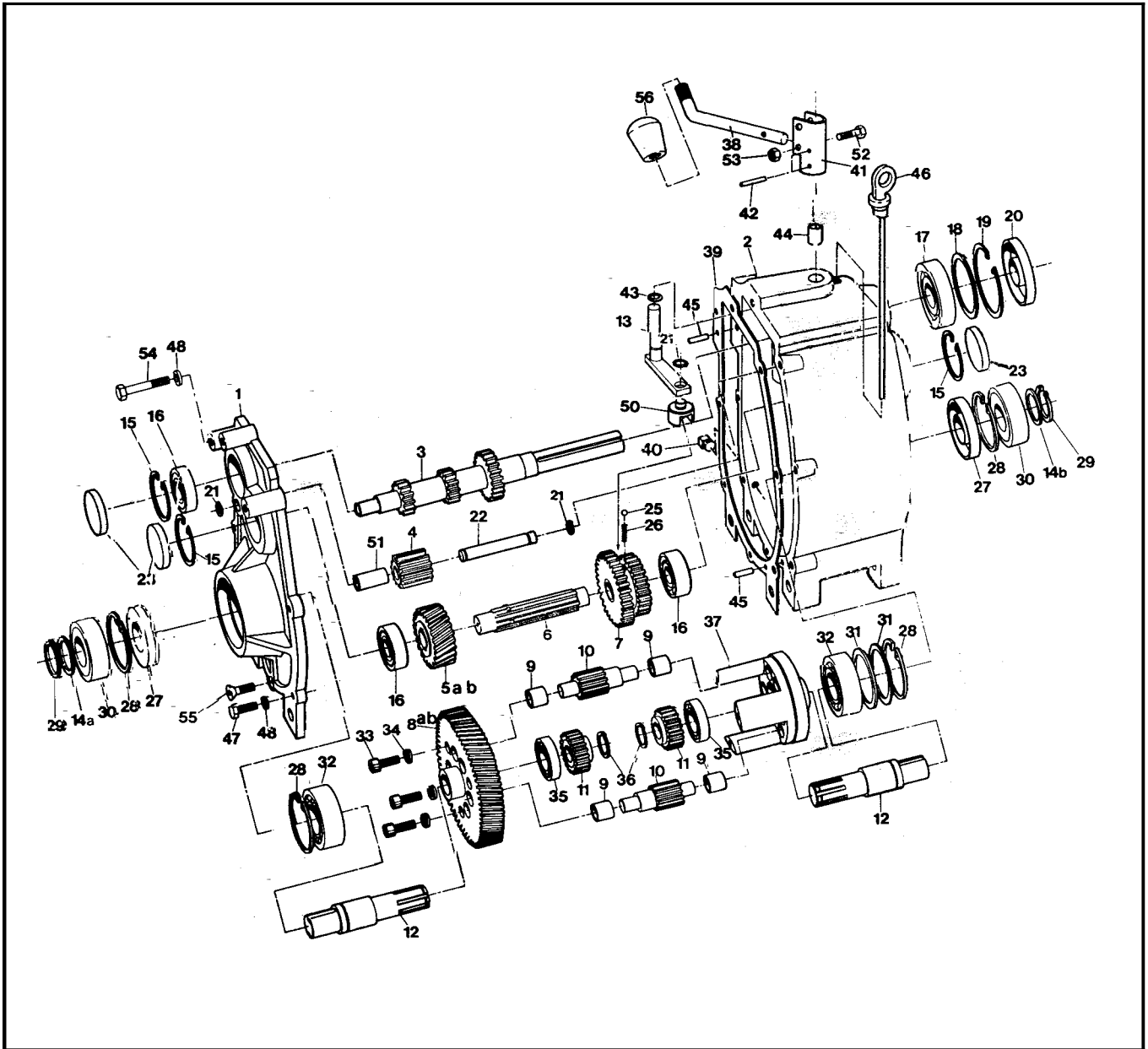


Using the Parts Manual

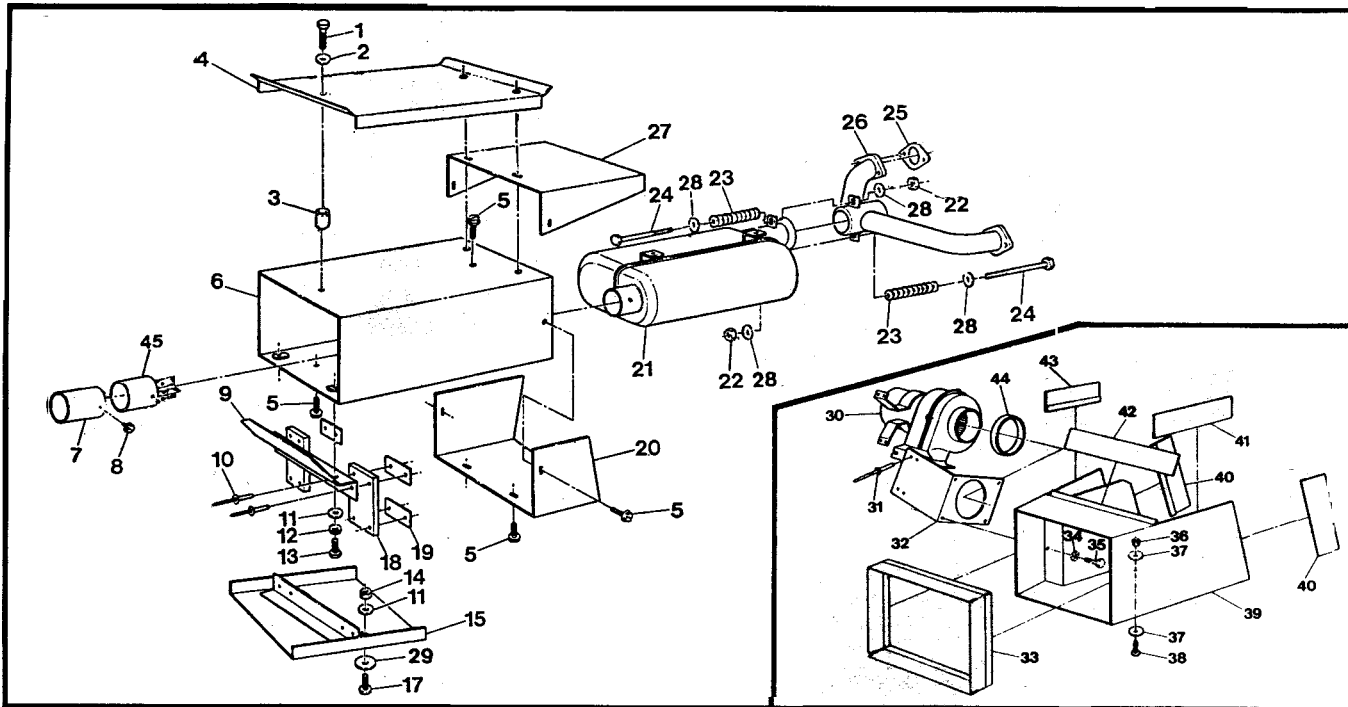
1. Find the major vehicle assembly in the Table of Contents on this page, and turn to that section.
2. Locate the part in the illustration that you wish to order.
3. Refer to the parts list in that section.
4. Find the correct part number (Part No.), part description (Description) and correct quantity (Qty).
5. Use *only* this information to order **ARGO** replacement parts. **DO NOT** attempt to order a replacement part by Ref number or Page number.

Table of Contents

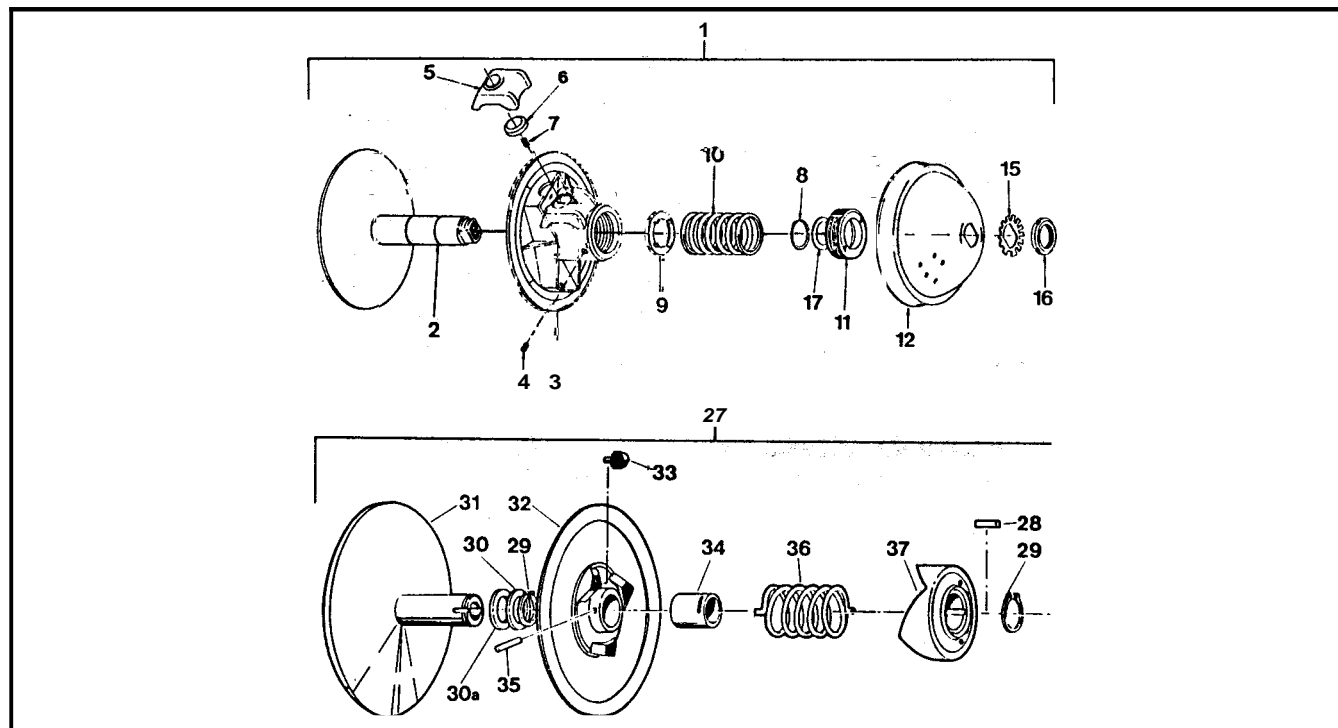
Foreword.....	i
Model Identification.....	i
Using the Parts Manual.....	ii
1.0 Transmission.....	1
2.0 Intake and Exhaust System.....	3
3.0 Clutch System.....	3
4.0 Power Pack Assembly.....	5
5.0 Brake System - Hydraulic.....	7
6.0 Vehicle Body & Firewall.....	9
7.0 Frame & Drive System.....	11
8.0 Fuel System & Seat Assembly.....	13
9.0 Electrical System.....	.15



Ref	Part No	Description	Qty	Ref	Part No.	Description	Qty
	610-17MU	Transmission Asm - MU , does not include Refs 38, 52, 53 & 56 uses Refs 5a & 8a		26	34-32	Spring, Compression - 7/32 x .50	1
	610-17GU	Transmission Asm - GU , does not include Refs 38, 52, 53, & 56 uses Refs 5b & 8b		27	102-03	Seal , Oil WBS 30x72x10	2
1	34-68	Cover, Transmission	1	28	106-03	Retaining Ring #5000-281PA	4
2	34-99	Housing, Transmission	1	29	107-02	Retaining Ring N1400-118	2
3	34-21	Shaft, Input - 13/21 T	1	30	101-05	Bearing, Ball 6306-2NSE C3	2
4	34-16A	Gear Idler - 13T (incl. Ref 51)	1	31	114-01	Wash' Shim .020x2.25x2.8 1	2
5a	34-95	Gear, Helical - 24T (MU)	1	32	101-03	Bearing, Ball 6207-C 3	2
5b	34-97	Gear, Helical - 21T (GU)	1	33	103-04	SHCS, 5/16-18 x 1.00 PL	3
6	34-94	Shaft, Spline (all U)	1	34	108-02	Lockwasher, Hi-Collar 5/16, PL	3
7	34-91	Gear, Double - 26/33 T	1	35	101-15	Bearing, Ball 6005-C 3	2
8a	34-22	Gear Plate - 73T (M)	1	36	107-04	Retaining Ring N1400-98	2
8b	34-45	Gear Plate - 76T (G)	1	37	34-08	Cage	1
9	105-03	Bushing, Oilite -AA650	12	38	610-77	Shift Lever Rod	1
10	34-13	Gear, Planet -12 T	6	39	34-47	Gasket, Cover - 1/64" Thk	1
				40	103-02	Plug, Magnetic 3/8-18 NPT	1
11	34-14	Gear, Sun - 21 T	2	41	34-86	Holder, Shift Lever	1
12	34-81	shaft, output	2	42	111-01	Pin, Spirol 5/32 x 1.00	2
13	34-65	Shifter Assem.	1	43	113-01	O-Ring 012-7147	1
14a	114-04	Washer, Shim .040 Thk	1	44	105-02	Bushing, Oilite - AA628	1
14b	114-05	Washer, Shim .020 Thk	1	45	104-03	Pin, Dowel 1/4" x 7/8" long	2
15	106-01	Retaining Ring #5000-187P	3	46	34-77	Dipstick, with breather	1
16	101-01	Bearing, Ball 62042-C 3	3	47	103-06	HHCS 5/16-18x1.00 GR5 Zinc	4
17	101-16	Bearing, Ball 6206-C3	1	48	108-05	Lockwasher 5/16 Zinc	7
18	114-02	Washer, Shim 2.062	as eq.	50	34-63	Shift Yoke	1
19	106-05	Retaining Ring N 1300-244	1	51	105-05	Bushing, Oilite - AA650-3 (in Ref.4)	1
20	102-05	Seal, Oil WBS 30x62x10	1	52	103-97	HHCS 1/4-20x1.25 GR5 Zc	1
21	107-05	Retaining Ring N1400-50	3	53	117-27	Locknut, Nylon 1/4-20 Zinc	1
22	34-11	Pin, Dowel 1/2 x 3.50	3	54		See Section 4.0	
23	31-07	Plug plate	3	55	103-95	FHSC 5/16-18x1.0 GR8 Zin	1
25	109-05	Ball, Steel 6mm 62-67 Rc	3	56	126-38	Knob, Shift	1



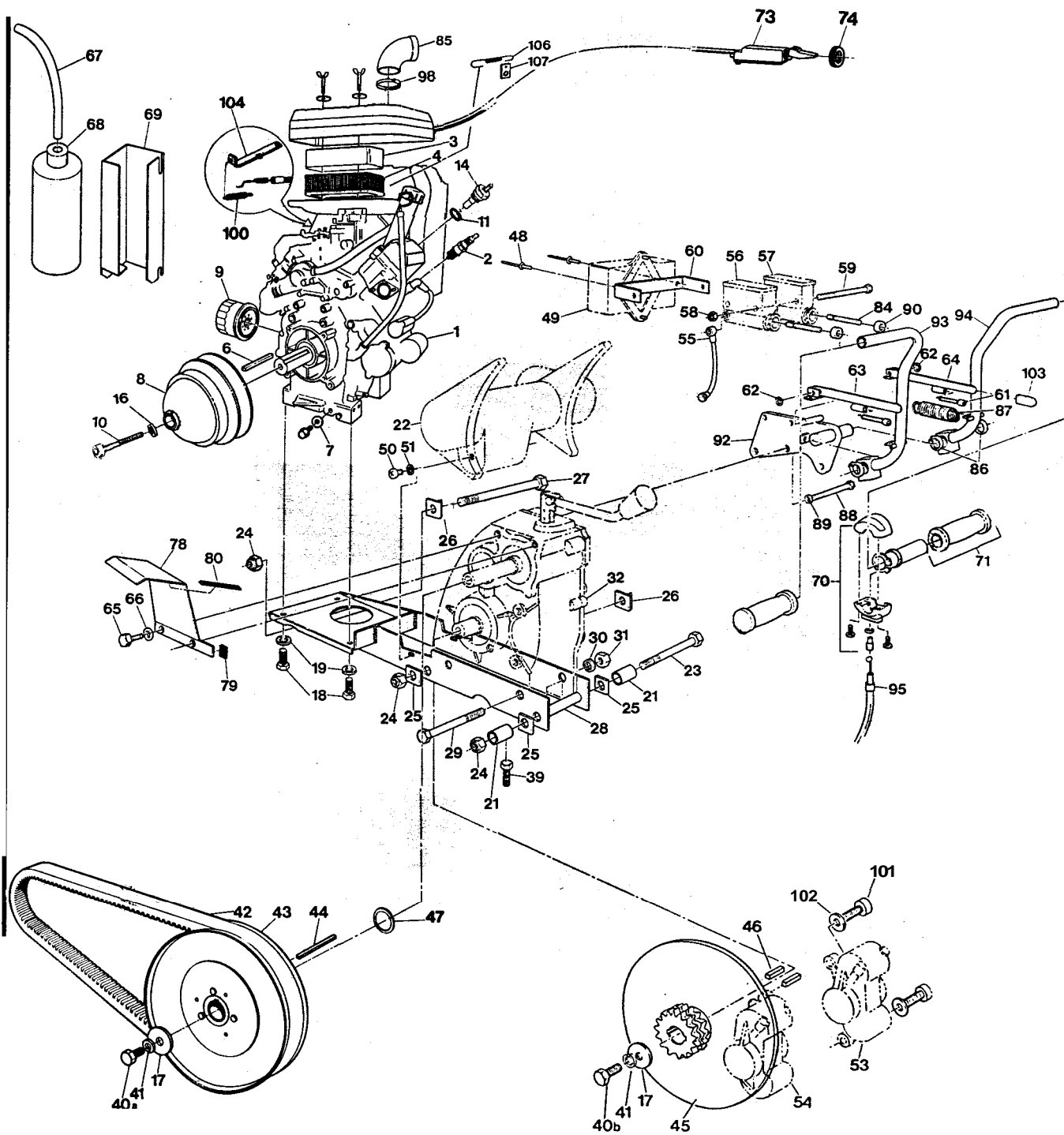
3.0 Clutch System



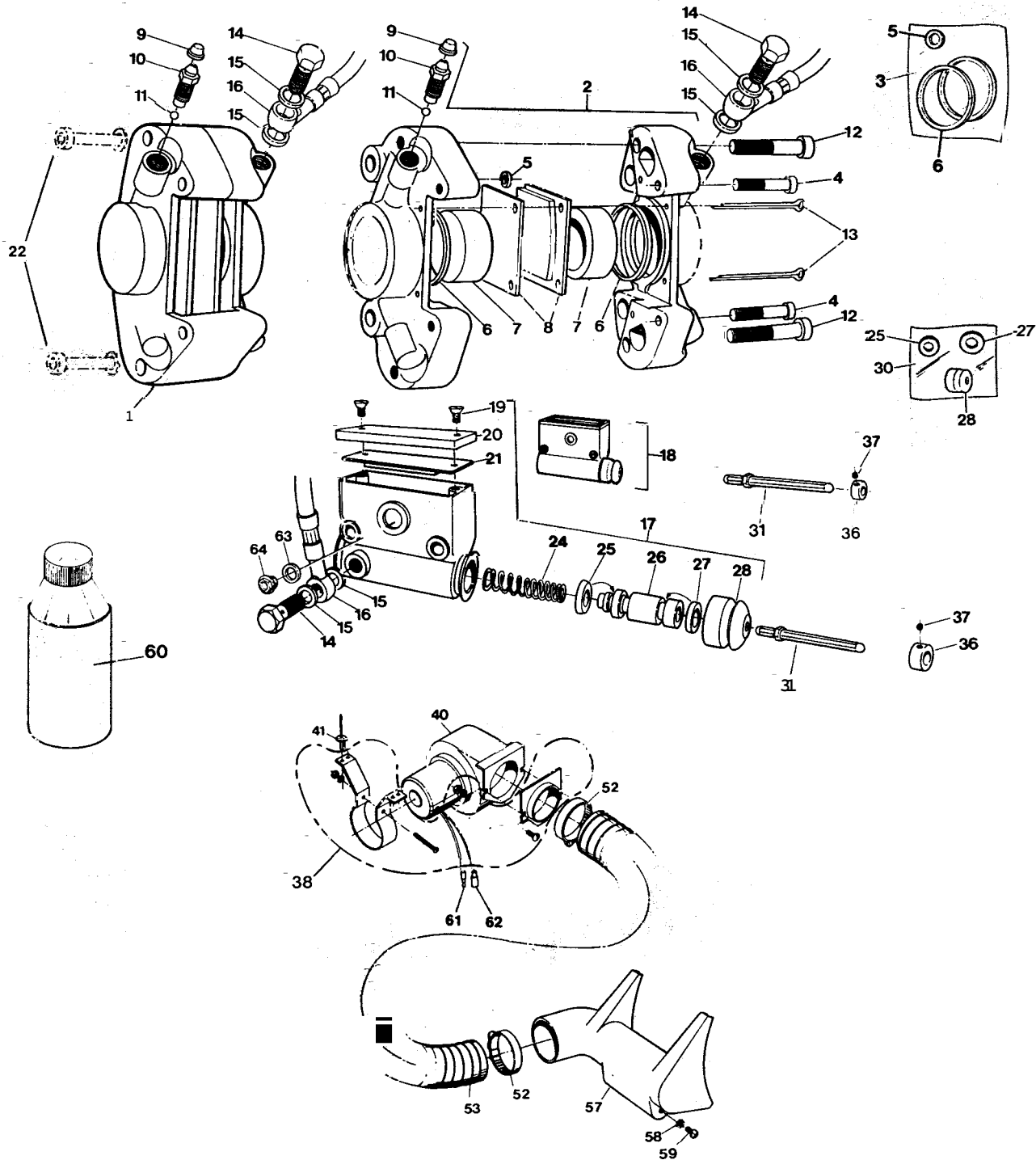
Ref	Part No.	Description	Qty	Ref	Part No.	Description	Qty
1	103-72	Screw, IHWH T/C 1/4-20x3/4	3	24	112-18	SHCS, 5/16-18x2.25" PL	2
2	108-03	Lockwasher, 1/4 Split Ring	3	25	11060-2079	Gasket, Muffler	2
3	807-71	Spacer	3	26	807-66	Manifold Assem.	1
4	807-72	Shield, Heat	1	27	807-38	Cover, Manifold	1
5	112-19	Screw, IHWH T/C 1/4-20x.50	7	28	108-24	Washer, .34x.70x.06 Zc	4
6	807-41	Shield Assem., Muffler	1	29	108-01	Washer, Fender 1/4 BSx1.25OI	2
7	807-75	Pipe, Muffler Outlet	1	30		See Section 5.0	
8	112-43	Screw	1	31	120-13	Rivet 3/16x5/8	4
9	807-43	Support, Upper	1	32	807-68	Bracket Assem., Fan	1
10	120-09	Rivet 3/16x 1	8	33	603-87	Seal, Radiator	1
11	108-08	Washer 1/4 SAE Zinc	4	34	108-03	Lockwasher, 1/4 Split Ring	4
12	108-03	Lockwasher, 1/4 Split Ring	2	35	112-04	HHCS 1/4-20x3/4 GR2 Zinc	4
13	112-04	HHCS 1/4-20x3/4 GR2 Zinc	2	36	117-27	Locknut, Nylon 1/4-20 Zinc	3
14	117-27	Locknut, Nylon 1/4-20 Zinc	2	37	108-01	Washer, Fender 1/4BSx1.25	6
15	807-49	Support, Lower	1	38	103-63	PHMS, PHIL 1/4-20x1.0 Zc	3
17	103-63	PHMS, PHIL 1/4-20x1.0 Zc	2	39	807-35	Duct Assem., Intake	1
18	126-07	Support, Flex	2	40	603-88C	Seal 9.62"	2
19	807-69	Washer, Special	4	41	603-88B	Seal 8.49"	1
20	807-70	Cover, Lower	1	42	603-88D	Seal 11.66	1
21	807-42	Muffler Assem. - Conquest	1	43	603-88A	Seal 7.09"	1
22	117-25	Nut, Conelock 5/16-18	2	44	602-33	Vinyl Trim 9.8"	1
23	100-10	Spring, Compression	2	45	807-67	Spark Arrester	1

3.0 Clutch System

Ref	Part No.	Description	Qty	Ref	Part No.	Description	Qty
1	127-47	Clutch, Driver - Keyed (incl. Refs 2 to 17) PO DB0005	1	27	126-24	Clutch, Driven Model "B" SOD B0001	1
2	0405-0005	Pulley, Half - Fixed	1			(incl. Refs 28 to 37)	
3	V023F	Pulley, Half - Sliding	1	28	ASK-5	Key 1/4x1/4x3/4	1
4	V046	SHSS (use Loctite 242)	1	29	ASR-6	Retaining Ring N1400-150	2
5	V05BCR	Block, Red	3	30	ASA-1-S	Spacer .025" Thick	as req
6	C13-266T	Weight - 266g	3	30a	ASA-1	Spacer .050" Thick	as req
7	C24-L1	Anti-Noise Spring	3				
8	V08C	Retaining Ring	1	31	AFK25.4-250OD01	Pulley, Fixed - Half	1
9	V09	Spring Guide Plate	1	32	AMC-2-250OD01	Pulley, Sliding - Half (incl. Refs. 33, 34 & 35)	1
10	V10-48-105-17	Spring, Blue	1	33	ANS-2-T	Shoe, Cam	3
11	V111	Bushing, Threaded	1	34	AMB-2	Bushing, Bronze	1
12	V1203A	Cap, Type "A"	1	35	CCP-2-156	Pin, Spirol	1
15	V15	Lockwasher	1				
16	V162	Locknut	1	36	ACS-3-188	Spring, Blue	1
17	X-35-MA	Spacer	1	37	AFC-4-C3D4	Cam, 2-Way Aluminum	1



Ref	Part No.	Description	Qty	Ref	Part No.	Description	Qty
1	127-50	Engine - Kawasaki, FD620-BS12 (incl. Refs. 2, 3, 4, 7, 9, 11, 49, Exhaust Gasket)	1	50 to		See Section 5.0	
2	92070-2072	Sparkplug, BMR4A	2	57			
3	11013-2114	Element, Air Filter	1	58	117-27	Locknut, Nylon, 1/4-20 Zinc	2
4	11013-2139	Element, Air Filter	1	59	103-66	HHCS 1/4-20x4.00 GR5 Zc	2
6	110-13	Key 1/4x1/4x2.25	1	60	610-75	Bracket, Igniter	1
7	11009-2566	Gasket, Drain Plug	1	61	103-69	SHCS 1/4-20x1.50 Zinc	2
8		See Section 3.0		62	113-02	O-Ring #106-7147	2
9	49065-2071	Filter, Oil	1	63	810-20	Lever Assem., Brake - LH	1
10	112-15	SHSC M10x1.5x90mm	1	64	810-21	Lever Assem., Brake - RH	1
11	11009-2765	Gasket	1	65	103-17	HHCS 3/8-16x1.00 GR5 Zc	2
14	21176-2098	Sender	1	66	108-26	Washer 3/8 Zinc	2
16	108-54	Lockwasher, Hi-Collar	1	67	127-15	Hose, Auxiliary Tank	1
17	108-18	Washer, 13/32x1.375x11GA	3	68	127-16	Bottle, Auxiliary Tank	1
18	112-30	SHCS M8x1.25x20mm	4	69	127-14	Holder, Auxiliary Tank	1
19	108-05	Lockwasher 5/16 Zinc	4	70	100-57	Throttle Twist Grip	1
21	811-14	Spacer	2	71	127-35	Grip, Molded	2
22		See Section 5.0		73	612-71	Cable Asm., Choke - Conq.	1
23	112-57	HHCS 5/8-11x10.00 GR5 Zc	1	74	612-71N	Nut, Molded Panel	1
24	117-09	Locknut, Nylon 5/8-11 Zinc	3	78	603-29	Guard, Belt Protect	1
25	811-09	Washer, Square, .64ID	3	79	601-92	Vinyl Trim - 1.5"	1
26	811-10	Washer Asm, Square	2	80	601-93	Vinyl Trim - 4.25"	1
27	112-58	HHCS 5/8-11x7.50 GR5 Zc	2	84		See Section 5.0	
28	811-30	Frame, Powerpack - Conq.	1	85	127-32	Duct Intake, Conquest	1
29	103-20	HHCS 1/2-13x6.50 GR5 Zc	2	86	106-07	Retaining Ring N1400-75	4
30	108-07	Lockwasher 1/2 Zinc	2	87	127-33	Spring, Extension - Strg Lever	2
31	117-06	Nut, Fin Hex 1/2-13 Zinc	2	88	103-55	HHCS 5/16-18x2.75 GR5 Zc	3
32		See Section 1.0		89	108-05	Lockwasher 5/16 Zinc	3
39	103-53	HHCS 3/8-16x3.0 Full thread	2	90		See Section 5.0	
40a	103-34	HHCS 3/8-16x1.25 GR5 Zc	1	92	812-01	Bracket Asm, Steering	1
40b	103-18	HHCS 3/8-24x1.25 GR5 Zc	2	93	812-27	Lever Asm, Steering - LH	1
41	108-06	Lockwasher, 3/8 S/R, Zinc	3	94	812-26	Lever Asm, Steering - RH	1
42	125-56	Drive Belt	1	95	812-28	Cable Asm, Throttle - Conq.	1
43		See Section 3.0		98	92170-2075	Clamp	1
44	110-09	Key 1/4x1/4x3.0	1	100	125-88	Spring, Return	1
45	810-01	Brake Disc #50-2x13T	2	101	103-41	SHCS, 3/8-16x1.25 Zinc	4
46	110-14	Key 1/4x1/4x1.25	4	102	108-23	Washer 3/8 SAE GR8 - Dich.	4
47	108-36	Washer .06x1.00x1.375 Zinc	as req	103	126-89	Cap, Vinyl - Black	2
48	120-13	Rivet 3/16x5/8	2	104	127-52	Bracket, Spring	1
49	21119-2120	Igniter	1	106	127-30	Spring	1
				107	601-86	Clip, Retainer	1

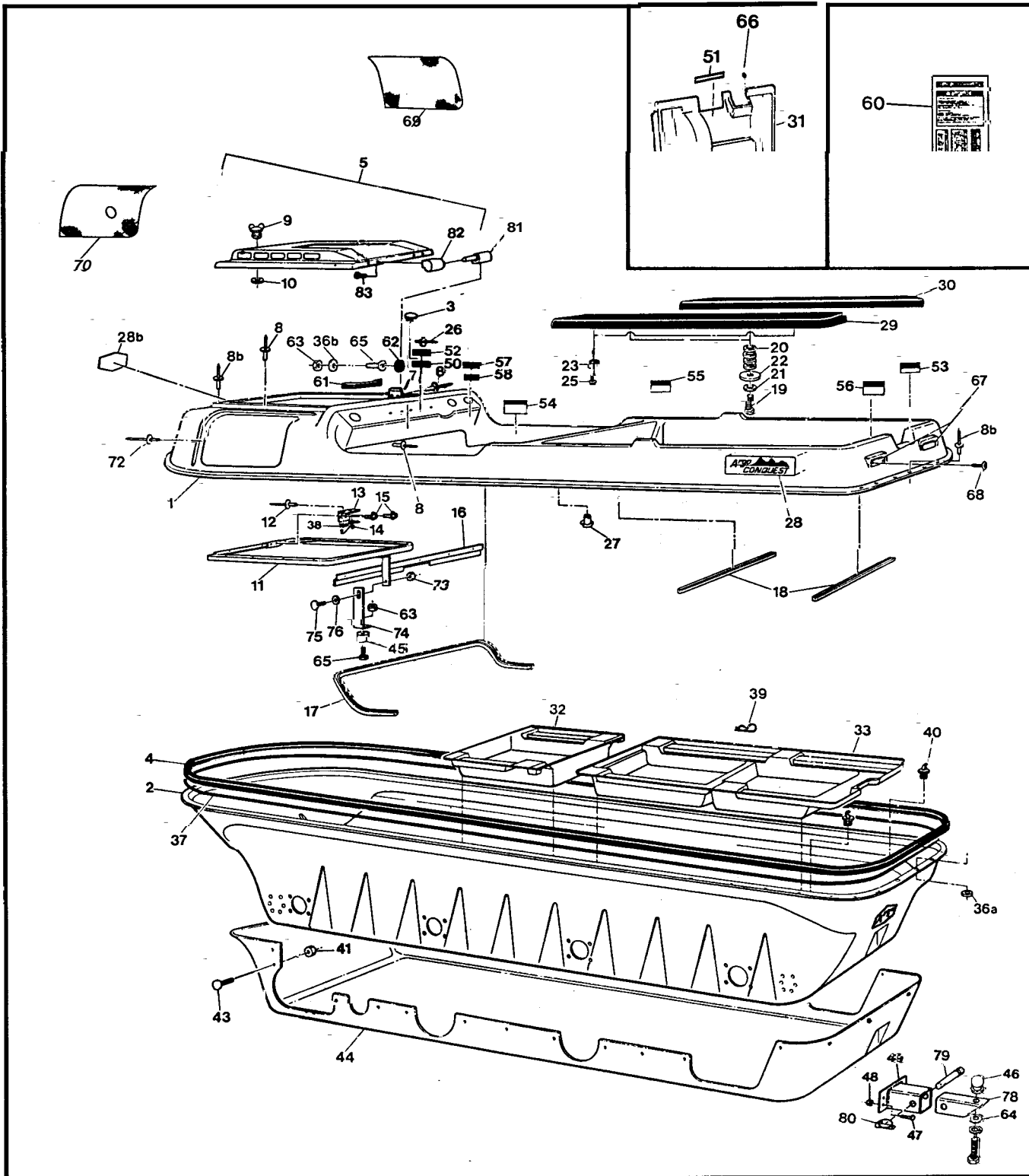


Conquest Parts Manual

5.0 Brake System - Hydraulic

Ref	Part No.	Description	Qty
1	166-05	Caliper Asm, Brake - L (incl. Refs 5 to 13)	1
2	166-06	Caliper Asm, Brake - R (incl. Refs 5 to 13)	1
3	161-01	O-Ring Kit, Caliper (incl. Refs 5 & 6)	2
4	160-40	SHCS M8x1.25x40 ZN	2
5		Seal, Rubber-5mm (see Ref 3)	1
6		Seal, Piston-41mm (see Ref 3)	2
7	168-05	Piston 41mm	!x2
8	170-02	Brake Pad Set(4) - Metallic	1
9	168-20	Plug, Rubber	.x2
10	168-03	Screw, Bleeding M10x1.0	.x2
11	168-04	Ball, Check - 7/32 Dia.	.x2
12	160-41	SHCS M10x1.5x50mm Zinc	!x2
13	168-06	Pin, Cotter M3.2x50mm	!x2
14	160-44	Bolt, Banjo-M10x1.0x 21.0 zinc	4
15	160-01	Washer, Copper - 1.5x10.0x 14.0	8
16	163-01	Hose Asm, Hydraulic-300mm	.x2
17	165-06	Master Cylinder, (incl. Refs 19 to 21, 24 to 28, 63 & 64)	1
18	165-05	Master Cylinder, (incl. Refs 19 to 21, 24 to 28, 63 & 64)	1
19	160-42	FHMS M5x0.8x6mm	!x2
20	168-08	Cover	.x2
21	168-09	Cover, Rubber	.x2
22		See Section 4.0	
24	162-02	Spring, Return	!x2
25		Seal, Primary, 19mm (See Ref. 30)	!x2
26	168-10	Piston 19mm dia.	.x2
27		Seal, Secondary, 19mm (See Ref. 30)	!x2
28		Boot, Rubber, (See Ref. 30)	.x2
30	161-25	O-Ring Kit-Master Cylinder (incl. Refs 25, 27 & 28)	!x2
31	812-13	Pin Asm, Plunger-Adjustable	2
36	812-17	Pin Stop	2
37	112-02	SHSS 10-24x1/4 Knurl Cup PT,PI	4

Ref	Part No.	Description	Qty
38	125-92	Adpt. & Mounting Kit - includes the following:	1
		Mounting Bracket	1
		Nut, #10-32	1
		Lockwasher, 3/16"	1
		Screw, #10-32 x 2"	1
		Nut, 1/4-20	2
		Lockwasher, 1/4"	2
		Screw, 1/4-20x 5/8"	2
		Adaptor, 3" dia.	1
40	125-91	Blower Fan	1
41		See Section 2.0	
52	125-35	Clamp, Gear 3.50" HF-52	2
53	127-06	Hose, Intake 3" dia. x 26"	1
57	126-36	Brake Cool Air Duct	1
58	108-56	Lockwasher 1/4 Ext. Tooth	2
59	103-96	PHMS, Phil 1/4-20x5/8 Zinc	2
60	126-19	Fluid, Brake-Silicon Dot 5 - .35L	
61	118-102	Terminal, Male-#76-1251	1
62	118-03	Terminal, Female - #76-1289	1
63	160-03	O-Ring, Oil Window	x2
64	168-14	Oil Window, Mstr. Cylinder	x2

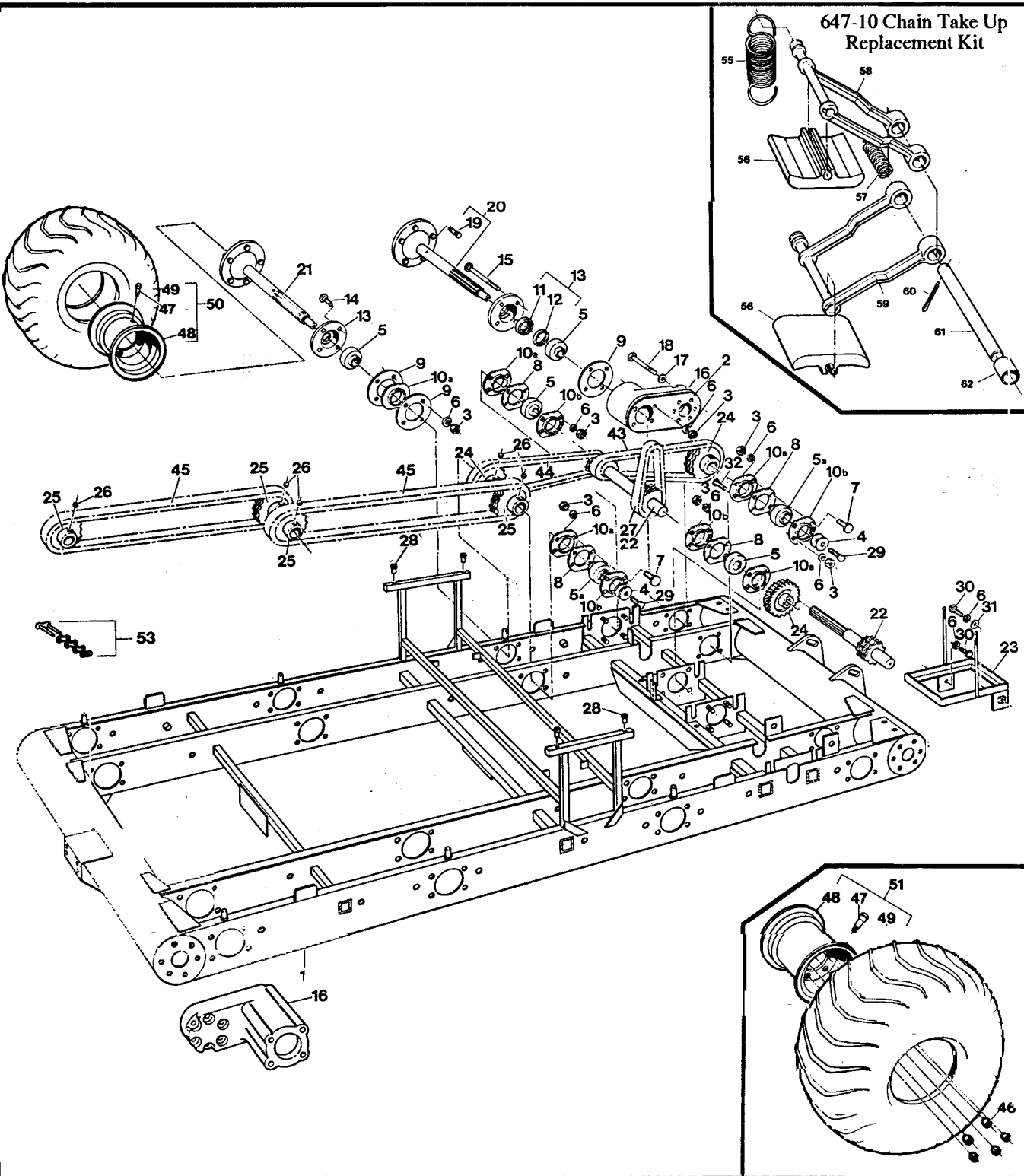


Conquest Parts Manual

6.0 Vehicle Body & Firewall

Ref	Part No.	Description	Qty
1	801-98	Body, Upper - Conquest, (specify colour) (incl. Ref. 11, 12, 13, 14, 15, 5)	1
2	801-43	Body, Lower - Conquest (specify colour)	1
3	127-28	Plug, Nylon - Black	1
4	801-05	Bumper, Vinyl - 8x8	1
5	602-34	Hood Kit, - Conquest, (spec. colour) (incl. 7,8,9,10,81,82,83)	1
7	602-38	Clip, Hood	1
8	120-13	Rivet 3/16x5/8	23
8b	120-09	Rivet 3/16x1	63
9	126-10	Wing Stud	2
10	126-09	Grommet, Alum. #GH-7	2
11	602-24	Frame Assem., Hood	1
12	120-15	Rivet 1/8x7/16	4
13	601-69	Spring Plate	1
14	126-11	Spring	2
15	103-72	Screw, IHWH T/C Slot 1/4-20 x 0.5"	2
16	602-29	Brace, Dash	1
17	601-08	Trim, Vinyl 84"	1
18	601-09	Trim, Vinyl 28"	2
19	112-04	HHCS, 1/4-20x3/4" GR2 Zc	4
20	108-25	Washer, Plate 1/4 Zinc	16
21	108-03	Lockwasher, 1/4 Split Ring	4
22	801-41	Washer, Seat	4
23	126-79	Bumper, Plastic - Black	4
25	103-48	T/S Pan HD PHIL #10x5/8"	4
26	120-24	Rivet, 3/32x3/8 Alum. (all plates)	22
27	117-44	T-Nut 1/4-20 PL	4
28	127-27	Nameplate - Conquest	2
28b	601-44	Nameplate - Argo	1
29	801-03	Seat, Rear LH, 8x8	1
30	801-02	Seat, Rear RH, 8x8	1
31	609-33	Firewall - Conquest	1
32	803-02	Floor Pan - Frnt - (specify clr)	1
33	803-03	Floor Pan - Rear - (specify clr)	1
36a	120-04	Washer .195IDx.500Dx.080	57
36b	120-05	Washer .195IDx.50x.040 Zc	2
37	126-60	Seal, Vinyl 1/2"x1/4"x37.5'	1
38	120-05	Washer	2

Ref	Part No.	Description	Qty
39	100-16	Clip, Hitch Pin 1.625 Zinc	6
40	100-18	Plug, Drain 5/8"x13/32"	2
41	120-28	Collar, Magna Grip	32
43	120-27	Pin, Magna Grip	32
44	863-11	Skid Plate, 8x8 - Black	1
45	126-88	Bumper, Rubber	1
46	100-61	Coupler Ball (c/w Bolt+Wshr)	1
47	103-61	HHCS 3/8-24x1.50 GR5 Zc	4
48	117-24	Locknut, Nylon 3/8-24 Zinc	4
49	616-16	Hitch Assembly	1
50		Vehicle ID Plate, Alum.	1
51	126-65	Plate, Shifting	1
52	127-26	Plate, Steering Lever+Winch	1
53	126-67	Plate, Floor Pan	1
54	126-68	Plate, Operation	1
55	126-69	Plate, Fuel	1
56	126-70	Plate, Vehicle Capacity	1
57	126-72	Plate, Holding Brake	1
58		U.S. Plate, Non-U.S. Argos only	1
60	126-73	Decals, French Language (incl. 50 to 58 available as set only)	1
61	125-41	Handle, Dash (incl. 62)	1
62		Plug cap, (avail. only with 61)	2
63	117-10	Locknut, Nylon #10-24 Zinc	3
64	108-53	Washer, 3/4x1.5x.125 SAE	1
65	103-25	PHMS #10-24x.750 Zinc	3
66	125-84	Grommet, Rubber	1
67	127-01	Reflector, Red	2
68	103-48	Pan HD PHIL T/S #10x5/8	4
69	807-73	Screen, Intake - Conquest	1
70	807-74	Screen, Exhaust - Conquest	1
72	120-11	Rivet - 5/32 x 9/16	28
73	117-15	Nut, Fin Hex 3/8-16 Zinc	1
74	602-27	Support, Adjustable	1
75	103-89	C/Bolt 3/8-16x.75 GR2 Zinc	1
76	108-06	Lockwasher, 3/8 S/R, Zinc	1
78	616-19	Tube, Hitch - Insert	1
79	104-13	Pin, Top Link	1
80	104-11	Pin, Lynch	1
81	127-45A	Pin, Hinge	2
82	127-45B	Knuckle, Hinge	2
83	103-47	HHCS 10-24x3/8"	8

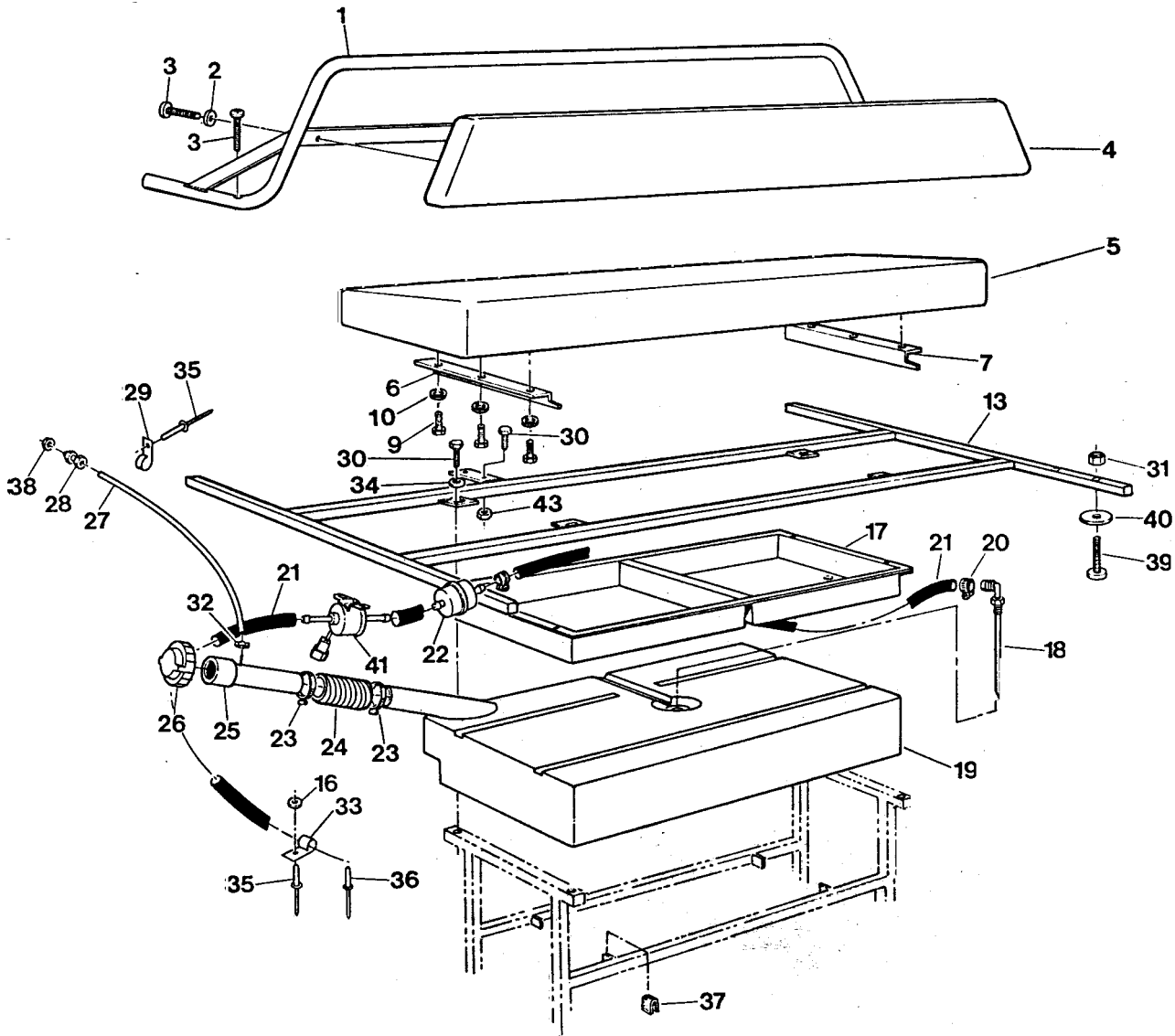


Conquest Parts Manual

7.0 Frame and Drive System

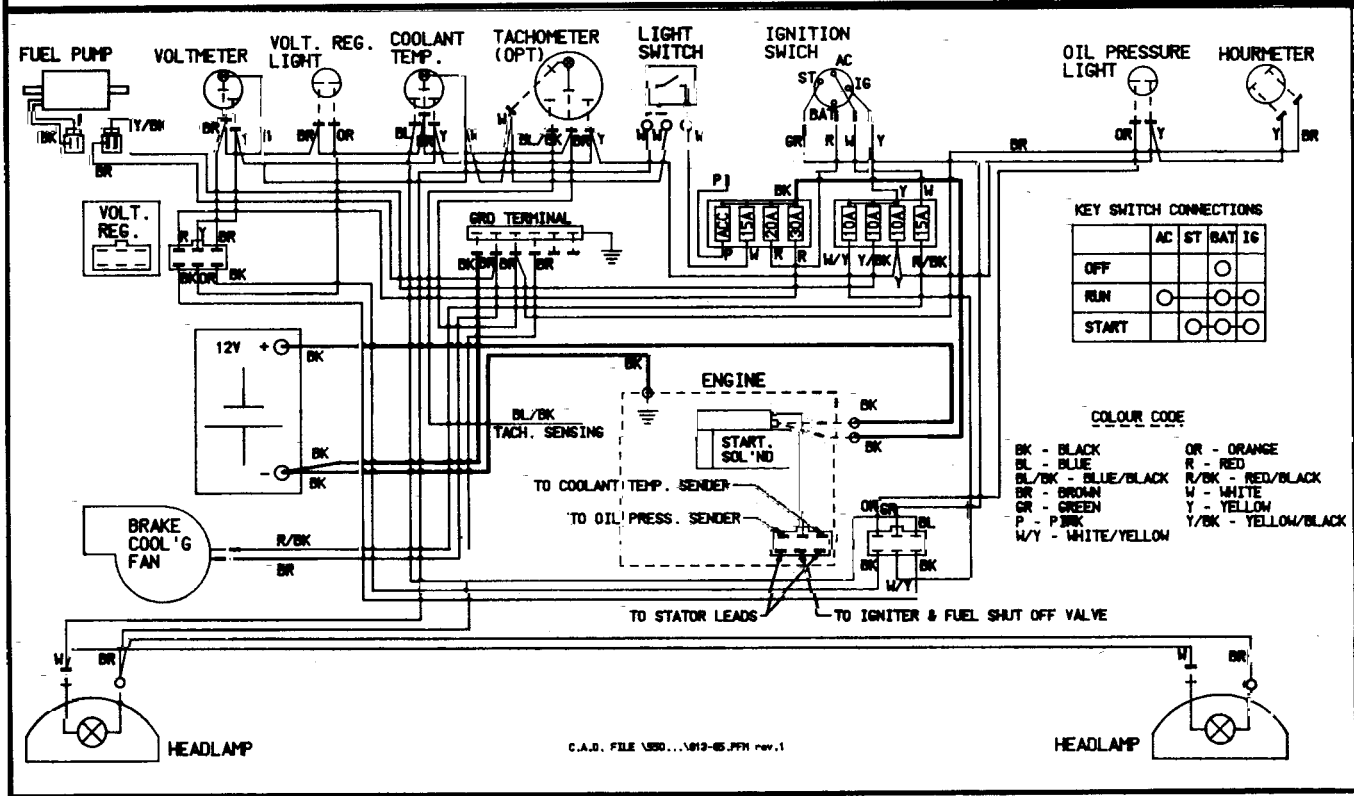
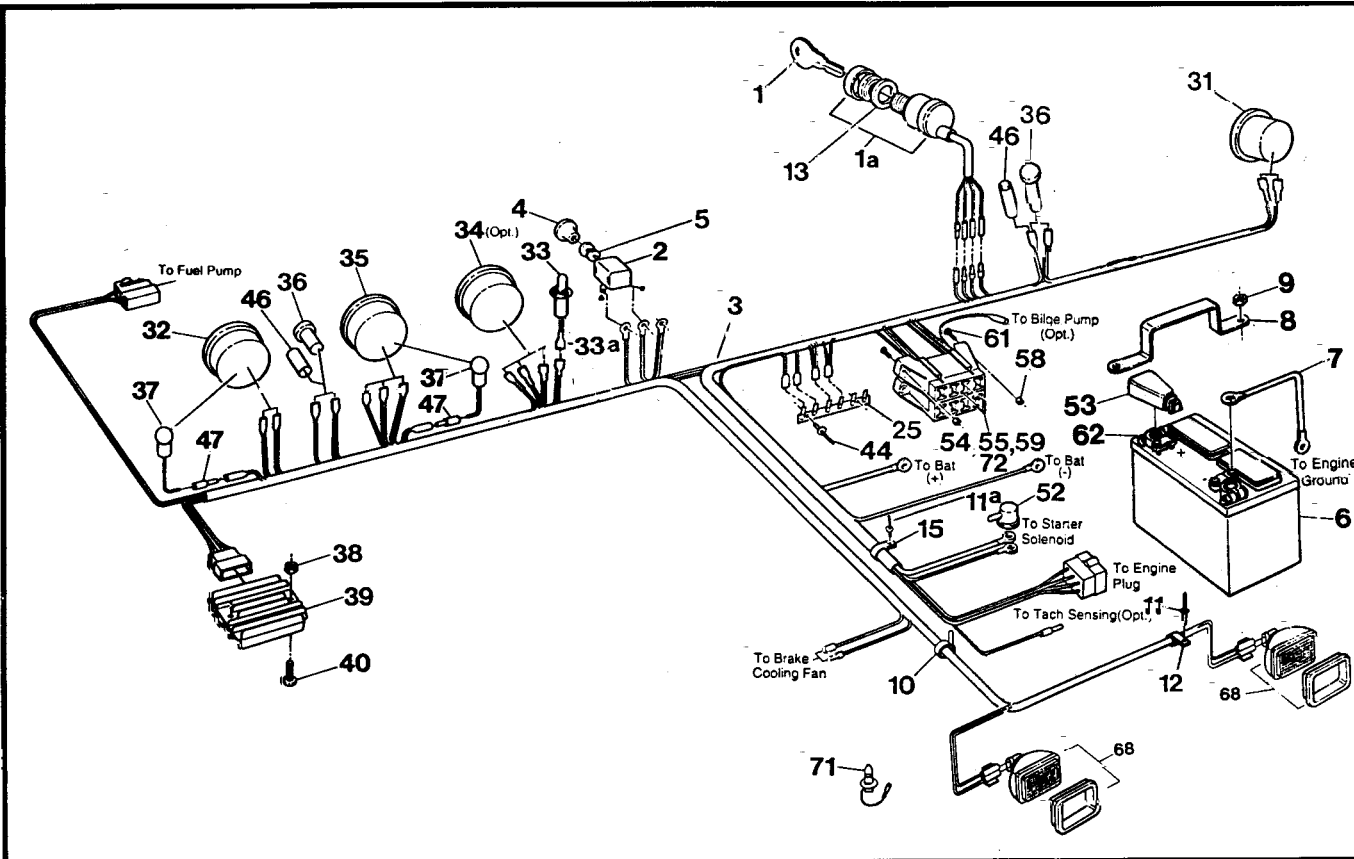
Ref	Part No.	Description	Qty	Ref	Part No.	Description	Qty
1	804-90	Frame Assem. - Conquest	1	26	112-03	SHSS 5/16-18x3/8 1/2 DOG, PL	10
2	605-69	Gasket - GRC-36 Mat'l	4	27	803-17	Chain, Idler RC50-2 x 40P	2
3	117-15	Nut, Fin Hex 3/8-16 Zinc	80	28	117-64	Insert, 1/4-20	4
4	108-46	Washer 13/32x1.375 Hi-Carb	16	29	112-31	HHCS 3/8-16x1.0 2B GR8	8
5	101-35	Bearing, Ball #1030-1.25 GFS	12	30	112-14	HHCS 3/8-16x.750 GR5 Zc	2
5a	101-41	Bearing, Ball #1030-1 GFS	8	31	108-15	Washer 3/8 SAE Zinc	1
6	108-06	Lockwasher, 3/8" S/R, Zinc	82	32	103-82	HHCS 3/8-16x1.5 GR5 Zc	2
7	103-88	C. Bolt, 3/8-16x1.00 GR5 Zc	30	43	603-17	Chain, RC50-2 x 42P - Front	2
8	605-99	Gasket, Flange	12	44	603-20	Chain, RC50-2 x 70P - Mid	2
9	605-89	Gasket, Outer Bearing Flnge.	12	45	603-21	Chain, RC50-2 x 96P - Rear (Refs 27, 43, 44 & 45 incl. Ref. 53)	4
10a	605-63	Flange, Bearing - Outer	16	46	117-35	Nut, Wheel 7/16-20 - Zinc	5x8
10b	101-20	Flange Assem., Bearing	12	47	125-26	Valve, Tire - (see Ref. 48)	8
11	102-14	Seal, Oil CR #12361	8	48	125-15C	Rim, Char. 8x7-5 Bolt (incl. Ref 47)	8
12	102-15	Seal, Oil CR #12379	8	49	126-96	Tire, Goodyear Runamuk 22x10-8, (see Refs 50 & 51)	8
13	605-97	Flange Assem, Outer (incl. Refs. 11 & 12)	8	50	126-98C	Tire & Rim Assem. - LH (incl. Refs 47, 48 & 49)	4
14	112-39	C. Bolt, 3/8-16 x 1-3/4"	16	51	126-97C	Tire & Rim Assem. - RH (incl. Refs 47, 48 & 49)	4
15	103-67	C. Bolt, 3/8-16 x 6" GR2 Zc	16	53	100-96	Con. Link, RC50-2 H.D.	1x 10
16	810-36	Bearing Extension (uses Refs. 17 & 18)	4	55	125-61	Spring, Tensioner	1x6
17	108-34	Washer, 7/16" SAE Zinc	24	56	603-61	Slider Block	2x6
18	103-81	HHCS, 7/16-20x2.5" GR5 Zc	24	57	125-78	Spring, Spacer	1x6
19	103-80	Stud, Wheel 7/16-20 x 1.125 #B271, (see Refs. 20,21)	5x8	58	603-77	Arm, Chain Tensioner - Up	1x6
20	810-73	Axle Assembly - Front/Rear (incl. Ref. 19)	4	59	603-76	Arm, Chain Tensioner - Lwr	1x6
21	810-75	Axle Assembly - Mid (incl. Ref. 19)	4	60	100-01	Pin, Cotter 1/8 x 1.50 Zinc	1x6
22	810-45	Shaft, Idler - 11T	2	61	603-78	Pin, Pivot	1x6
23	604-84	Frame Assem., Battery	1	62	603-66	Spacer, .500 ID x .625 LG	1x6
24	810-28	Sprocket, Double - 24T	6	63	647-10	Chain Take-Up Replacement Kit (incl. Refs. 55 thru 62 as shown)	6
25	810-29	Sprocket, M/R Axle - 19 T	8				

8.0 Fuel System and Seat Assembly Conquest Parts Manual



Conquest Parts Manual 8.0 Fuel System and Seat Assembly

Ref	Part No.	Description	Qty	Ref	Part No.	Description	Qty
1	803-50	Handrail Assembly	1	21	608-42	Hose, Fuel - 110	1
2	108-03	Lockwasher, Split Ring 1/4"	4	22	125-64	Filter, Fuel #G8 1-4	1
3	112-41	PHMS, PHIL 1/4-20x1.25 Zc	6	23	100-12	Clamp, Gear 2.25" HF-36	2
4	608-39	Back Pad Assembly	1	24	125-94	Hose, Filler	1
5	608-43	Seat, Bench	1	25	126-47	Fuel Neck Assembly	1
6	608-30	Angle, Left	1	26	126-46	Cap, Fuel	1
7	608-31	Angle, Right	1	27	127-21	Hose, Vent - 86"	1
9	112-04	HHCS 1/4-20x3/4" Gr2 Zn	6	28	126-50	Connector, Male 1/4"	1
10	108-03	Lockwasher 1/4 Split Ring Zi	6	29	126-94	Clamp, Nylon Wire, 1/4"TD	5
13	804-17	Frame Assem., Seat	1	30	112-04	HHCS 1/4-20x3/4 GR2 Zinc	6
16	120-04	Washer .195IDx.500Dx.08	2	31	117-10	Locknut, Nylon #10-24 Zinc	12
17	608-32	Tool Box	1	32	126-62	Clamp, Gear 1/4 2-Ear	1
18	608-28	Pickup Assem., Fuel	1	33	126-93	Clamp, Nylon Wire, 1/2" ID	5
1s	608-24	Tank, Fuel, (incl. Ref. 18)	1	34	108-08	Washer 1/4 SAE Zinc	4
2c	100-70	Clamp, Gear 1/2" HF-4	6	35	120-09	Rivet, 3/16 x 1	7
				36	120-13	Rivet - 3/16x5/8	2
				37	702-06	Cushion, Foam	4
				38	117-54	Nut, Locking PAL 1/2-20Zc	1
				39	112-07	RHMS, 10-24x 1.25 Zinc	12
				40	108-42	Washer, .062x7/32 x 1 Zinc	12
				41	49040-2065	Pump, Fuel	1
				43	117-27	Locknut, Nylon 1/4-20Zinc	2



Ref	Part No.	Description	Qty	Ref	Part No.	Description	Qty
1	100-39A	Key	1	44	120-15	Rivet, 1/8x7/16	2
1a	127-17	Switch, Ignition-Conquest (incl. Ref. 1)	1	46	118-48	Heat Shrink, 2 x 1/2	2
2	100-62	Switch, Light	1	47	118-02	Terminal, Male-#76-1251	2
3	613-61	Wire Harness-Conquest (incl. Fuse Holders)	1	52	613-46	Terminal Insulator (2 ga.)	1
4	126-76	Knob, Light	1	53	127-55	Cap, Battery Terminal	1
5	108-55	Washer, External Tooth	1	54	118-53	Fuse, 20A 2 prong (AT020)	1
6	127-54	Battery, P-22NF245TL	1	55	118-49	Fuse, 15A 2 prong (AT015)	2
7	613-14	Wire, Ground - 14"	1	58	117-10	Locknut, Nylon #10-24 Zinc	4
8	604-52	Bracket, Battery Retaining	1	59	118-52	Fuse, 10A 2 prong (AT010)	3
9	117-21	Locknut, Nylon 5/16-18 Zinc	2	61	103-25	PHMS, #10-24x.750 Zinc	4
10	100-64	Tie Wrap, 5.5" - Black	7	62	127-56	Terminal, Battery Post	2
11	120-09	Rivet 3/16x1	10	68	613-62	Headlamp Asm., Halogen	2
11a	120-13	Rivet 3/16x5/8	6	71	127-46	Bulb, Headlight-Halogen	2
12	126-93	Clamp, Nylon Wire -1/2" ID	16	72	118-51	Fuse, 30A 2 prong (AT030)	1
13	108-57	Lockwasher 3/4" Int. Tth Zc	1				
15	127-24	Clamp, Nylon - 1" I.D.	5				
25	613-37	Terminal Strip, Ground	1				
31	632-15	Hourmeter, #56548-10 (#876EM)	1				
32	633-10	Voltmeter, #07583-15 (#830EM)	1				
33	634-09	Light Kit	1				
33a	118-05	Terminal, 1/4" Male Blade	1				
34	634-04	Tachometer Kit	1				
35	634-22	Gauge, Water Temperature	1				
36	634-08	Light, Indicator	2				
37	634-10	Light Kit, #06215-00	2				
38	117-27	Locknut, Nylon 1/4-20 Zinc	2				
39	21066-2070	Regulator, Voltage	1				
40	103-63	PHMS, PHIL 1/4-20x1.0 Zc	2				

ARGO Products Manufactured by:

Ontario Drive & Gear Limited

P.O. Box 280, Bleams Road

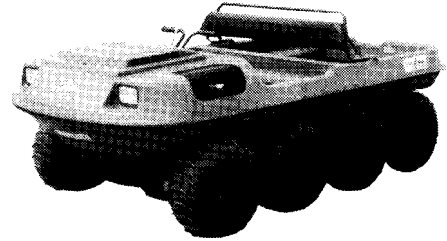
New Hamburg, Ontario

CANADA NOB 2G0

Phone: (519) 662-2840

Fax: (519) 662-2421

ODG *Dedicated to quality and performance*



ARGO

CONQUEST

PARTS MANUAL

**Model Nos. V894-37 &
V894-38**

From Serial #CB14235

Foreword

ODG has prepared this parts manual for the CONQUEST model to assist both qualified mechanics and vehicle owners in ordering correct, quality replacement ARGO parts.

Proper and regular service, and replacing old, worn or broken parts with the correct ARGO replacement parts, are both essential to prolonging the life of the ARGO. Please refer to this parts manual before ordering any replacement part.

All information contained in this CONQUEST Parts Manual is based on the latest product specification available at time of printing. If your CONQUEST differs from the specifications contained in this manual, contact Ontario Drive & Gear Limited for information.

ODG reserves the right to alter specifications on the CONQUEST model at any time, without obligation or prior notification.

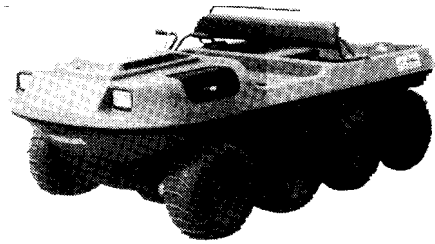
Reproduction of the CONQUEST Parts Manual No. 894-37-6, in whole or in part, is prohibited without prior written permission from Ontario Drive & Gear Limited.

Model Identification

CONQUEST - Model Nos. V894-37 and V894-38

Explanation of Parts Manual Format

- Reference number between assembly diagram and component parts list
- Part No.** - Argo replacement part number for identification and re-ordering
- Description - Part description for identification and re-ordering
- Indicates the quantity of a part used in an Assembly

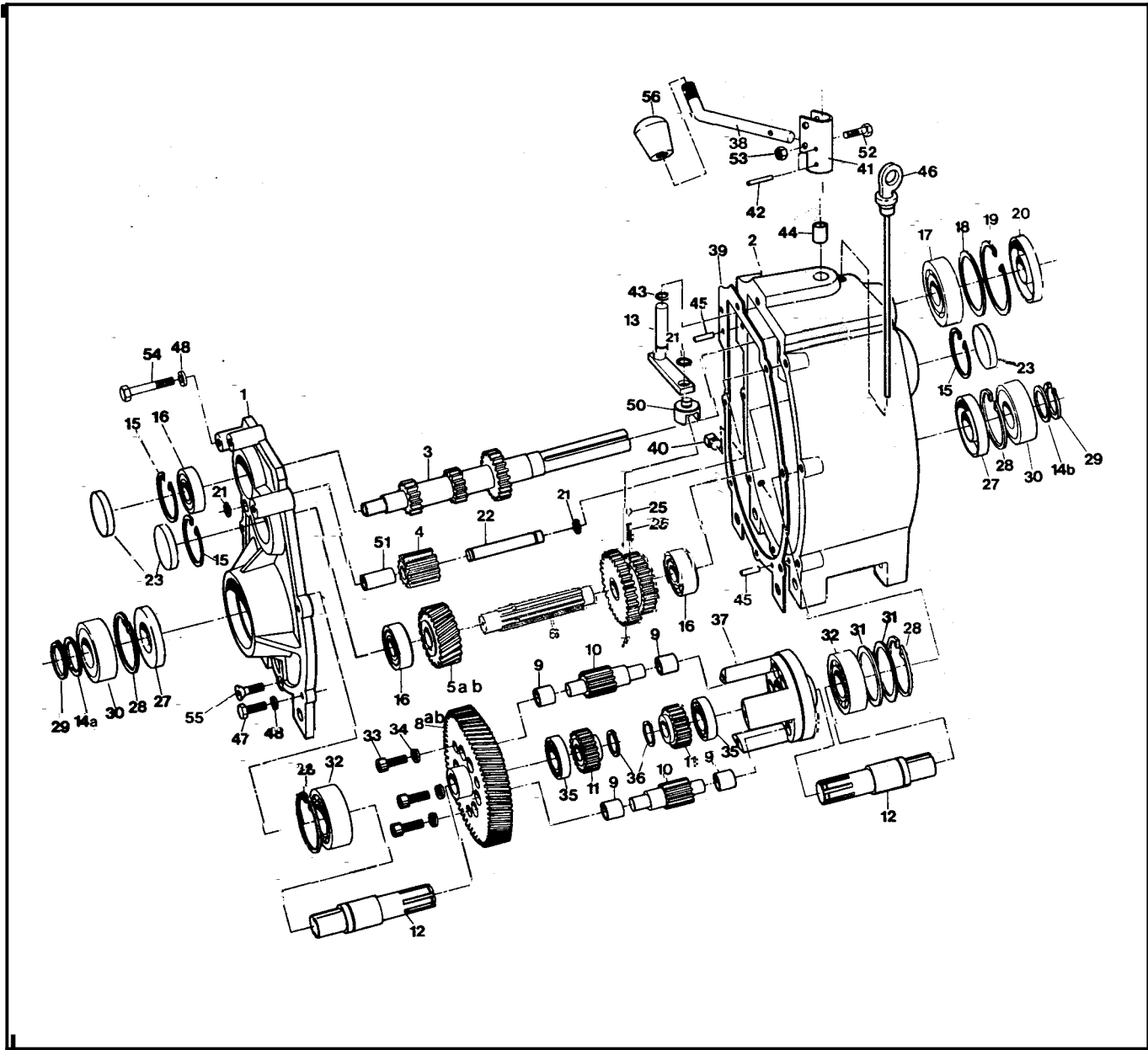


Using the Parts Manual

Find the major vehicle assembly in the Table of Contents on this page, and turn to that section.

2. Locate the part in the illustration that you wish to order.
3. Refer to the parts list in that section
4. Find the correct part number (Part No.), part description (Description) and correct quantity (Qty).
5. Use *only* this information to order ARGO replacement parts. **DO NOT** attempt to order a replacement part by reference number or page number.

Table of Contents	
Foreword	i
Model Identification	i
Using the Parts Manual	ii
1.0 Transmission	1
2.0 Intake and Exhaust System	3
3.0 Clutch System	3
4.0 Power Pack Assembly	5
5.0 Brake System - Hydraulic	7
6.0 Vehicle Body & Firewall	9
7.0 Frame & Drive System	11
8.0 Fuel System & Seat Assembly	13
9.0 Electrical System	15

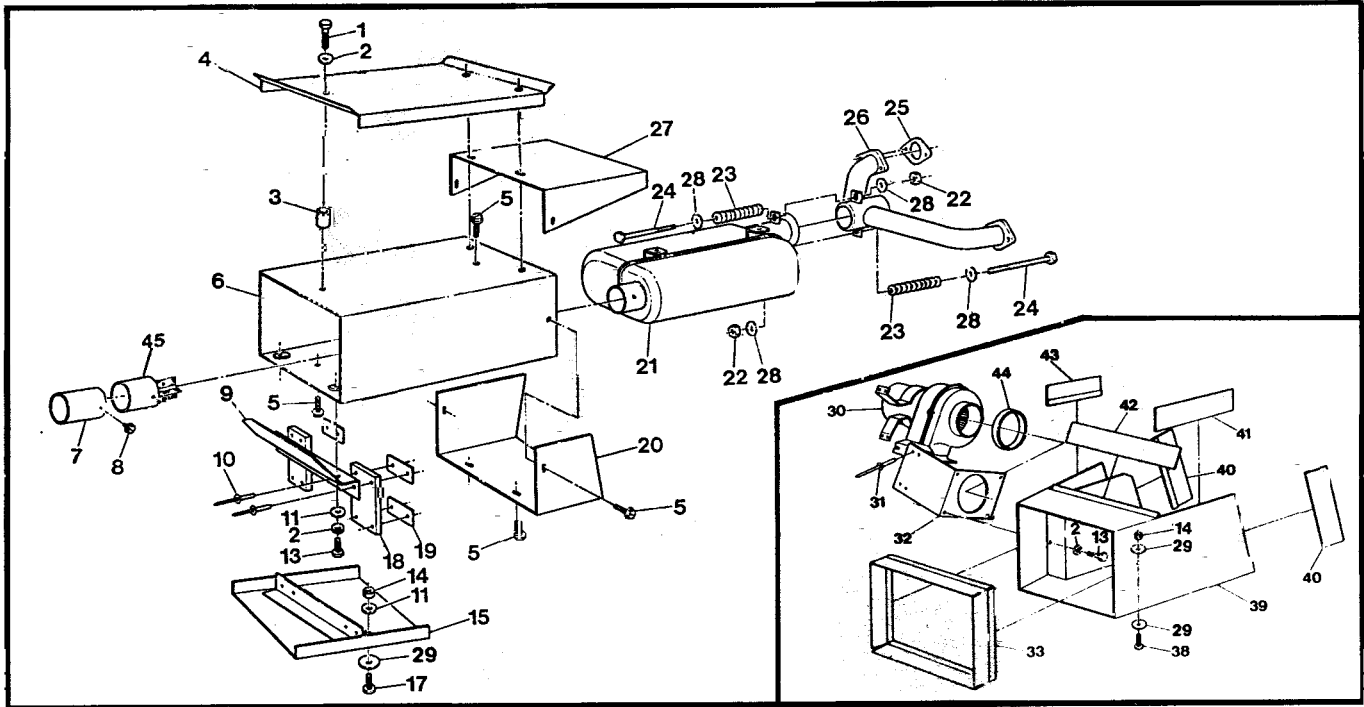


Conquest Parts Manual

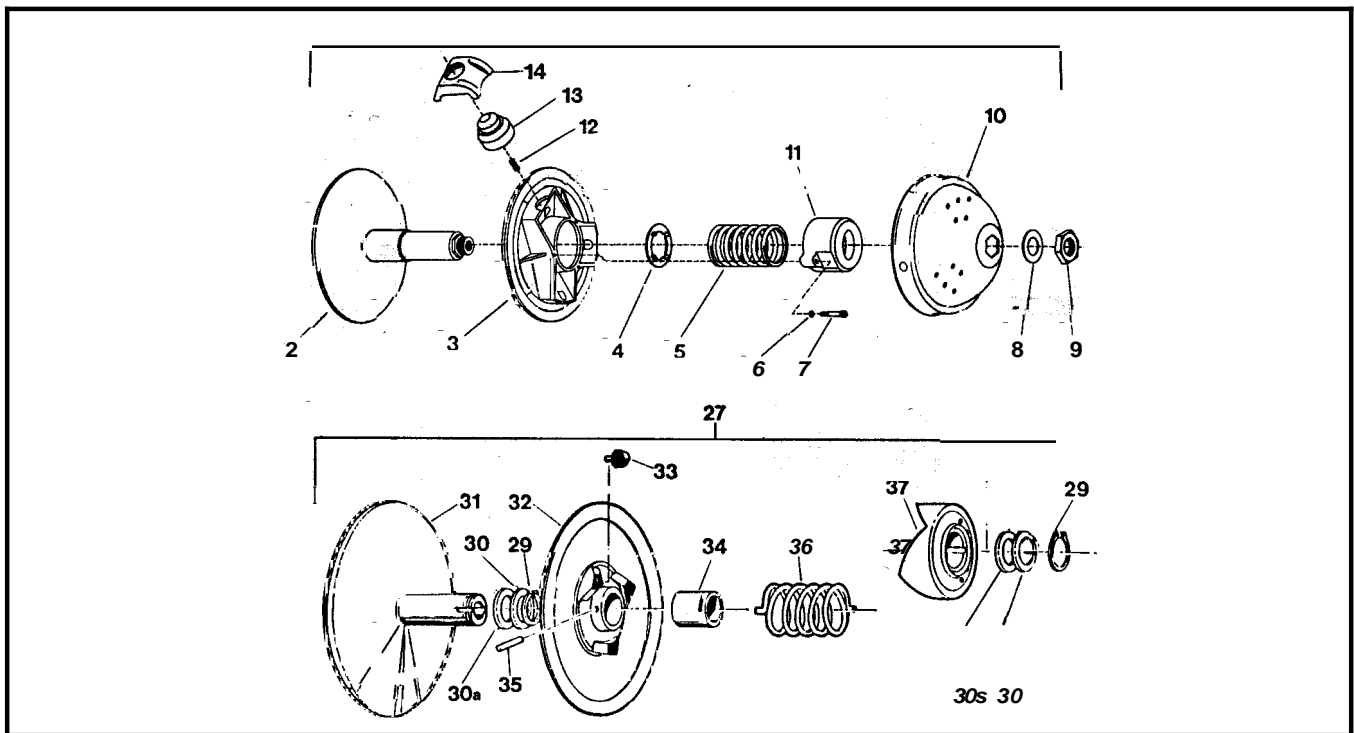
1.0 Transmission

Ref	Part No.	Description	Qty
•	510-17MU	Transmission Asm - MU , does not include Refs 38, 52, 53 & 56 uses Refs 5a & 8a	
•	510-17GU	Transmission Asm - GU , does not include Refs 38, 52, 53 & 56 uses Refs 5b & 8b	
1	34-68	Cover, Transmission	1
2	34-99	Housing, Transmission	1
3	34-21	Shaft, Input - 13/21T	1
4	34-16A	Gear, Idler - 13T (incl. Ref 51)	1
5a	34-95	Gear, Helical - 24T (MU)	1
5b	34-97	Gear, Helical - 21T (GU)	1
6	34-94	Shaft, Spline	1
7	34-91	Gear, Double - 26/33T	1
8a	34-22	Gear Plate - 73T (M)	1
8b	34-45	Gear Plate - 76T (G)	1
9	105-03	Bushing, Oilite - 1/2 x 3/4	12
10	34-13	Gear, Planet - 12T	6
11	34-14	Gear, Sun - 21T	2
12	34-81	Shaft, Output	2
13	34-65	Shifter Asm.	1
14a	114-04	Washer, Shim .040 Thk	1
14k	114-05	Washer, Shim .020 Thk	1
15	106-01	Retaining Ring	3
16	101-01	Bearing, Ball 6204Z-C3	3
17	101-16	Bearing, Ball 6206-C3	1
18	114-02	Washer, Shim	s req.
1s	106-05	Retaining Ring	1
2c	102-05	Seal, Oil WBS 30x62x10	1
21	107-05	Retaining Ring	3
22	34-11	Pin, Dowel 1/2 x 3.50	1
23	31-07	Plug Plate	3
25	109-05	Ball, Steel 6mm 62-67 Rc	1

Ref	Part No.	Description	Qty
26	34-32	Spring, Compression - 7/32x.50	
27	102-03	Seal, Oil WBS 30x72x10	
28	106-03	Retaining Ring	
29	107-02	Retaining Ring	
30	101-05	Bearing, Ball 6306-2NSE C3	2
31	114-01	Washer, Shim .020x2.25x2.81	2
32	101-03	Bearing, Ball 6207-C3	2
33	103-04	SHCS 5/16-18x1.00 Bare	3
34	108-02	Lockwasher, Hi-Collar 5/16 Bare	3
35	101-15	Bearing, Ball 6005-C3	2
36	107-04	Retaining Ring	2
37	34-08	Cage	1
38	610-77	Lever, Shift	1
39	34-47	Gasket, Cover - 1/64" Thk	1
4c	103-02	Plug, Magnetic 3/8-18 NP1	1
41	34-86	Holder, Shift Lever	1
42	111-01	Pin, Slotted Spring 5/32x100	2
43	113-01	O-Ring 012-7147	1
44	105-02	Bushing, Oilite - 1/2 x 1.0	1
45	104-03	Pin, Dowel 1/4 x 7/8	2
46	34-77	Dipstick, with breather	1
47	103-06	HHCS 5/16-18x1.00 Gr5 Zc	4
48	108-05	Lockwasher 5/16 Zc	7
50	34-63	Shift Yoke	1
51	105-05	Bushing, Oilite - 1/2 x 1.5 (in Ref. 4)	1
52	103-97	HHCS 1/4-20x1.25 Gr5 Zc	1
53	117-27	Locknut, Nylon 1/4-20Zc	1
54		See Section 4.0 Power Pack Assembly	
55	103-95	FHSC 5/16-18x1.0 Gr8 Zc	1
56	126-38	Knob, Shift	1



3.0 Clutch System



Z#	Part No.	Description	Qty
1	103-97	HHCS 1/4-20x1.25 Gr5 Zc	3
2	108-03	Lockwasher, 1/4 Split Ring	9
3	807-71	Spacer	3
4	807-72	Shield, Heat	1
5	112-19	Screw, IHWH T/C 1/4-20x.50	7
6	807-41	Shield Asm., Muffler	1
7	807-75	Pipe, Muffler Outlet	1
8	112-43	Screw, IHWH #8x3/8	1
9	807-43	Support, Upper	1
10	120-09	Rivet 3/16x1	8
11	108-08	Washer 1/4 SAE Zc	4
13	112-04	HHCS 1/4-20x3/4 Gr2 Zc	6
14	117-27	Locknut, Nylon 1/4-20Zc	5
15	807-49	Support, Lower	1
17	103-63	PHMS, PHIL 1/4-20x1.0 Zc	2
18	126-07	Support, Flex	2
19	807-69	Washer, Special	4
20	807-7C	Cover, Lower	1
21	807-42	Muffler Asm. - Conquest	1
22	117-25	Nut, Conelock 5/16-18	2
23	100-1c	Spring, Compression	2

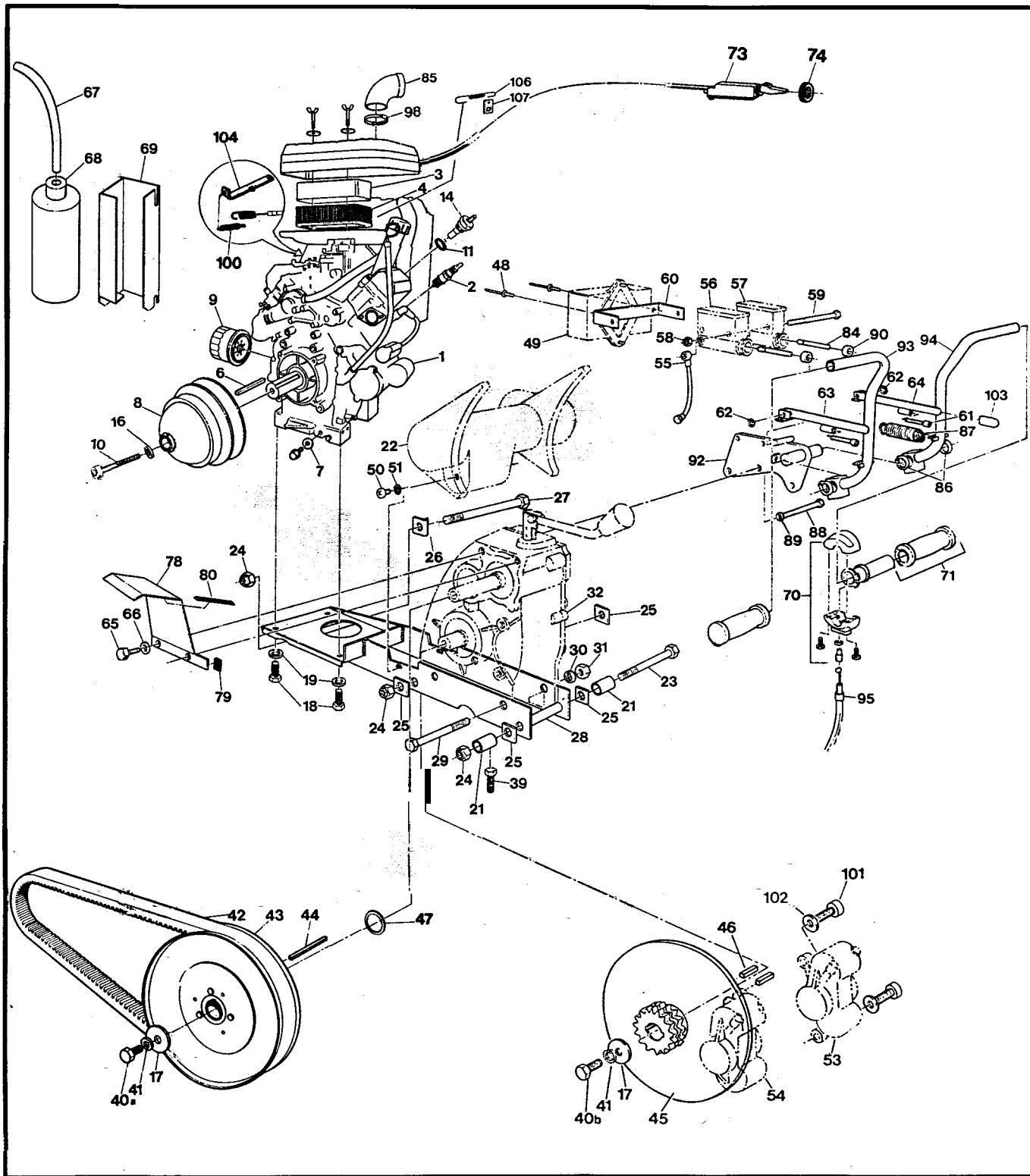
Ref	Part No.	Description	Qty
24	112-18	SHCS, 5/16-18x2.25"PL	2
25	11060-2079	Gasket, Muffler	2
26	807-66	Manifold Asm.	1
27	807-38	Cover, Manifold	1
28	108-24	Washer, .34x.70x.06 Zc	4
29	108-01	Washer, Fender 114BSx1.25OD	8
30		See Section 5.0 Brake System	
31	120-13	Rivet 3/16x5/8	4
32	807-68	Bracket Asm., Fan	1
33	603-87	Seal, Radiator	1
38	103-63	PHMS, PHIL 1/4-20x1.0 Zc	3
39	807-35	Duct Asm., Intake	1
40	603-88C	Seal 9.62"	2
41	603-88B	Seal 8.49"	1
42	603-88D	Seal 11.66"	1
43	603-88A	Seal 7.09"	1
44	602-33	Vinyl Trim 9.8"	1
45	807-67	Spark Arrester	1

3.0 Clutch System

Z#	Part No.	Description	Qty
1	127-71	Clutch, Driver - Keyed (incl. Refs 2 to 14) 0400-0029	1
2	0405-0020	Pulley, Half - Fixed	1
3	0410-0006	Pulley, Half - Sliding	1
4	V09	Washer, Spring Guide	1
5	V10-48-105-17	Spring	1
6	420-2453-700	Lockwasher	3
7	222-9640-66	SHCS	3
8	0080-0153	Washer, Zc	1
9	0080-0100	Nut	1
10	0115-0003(A)	Cap	1
11	0440-0001	Cover, Spring	1
12	C24-L1	Spring, Anti-noise	3
13	C13-266	Weight, 266g	3
14	0130-3002	Block. Red	3

Ref	Part No.	Description	Qty
27	126-24	Clutch, Driven Model "B" incl. Refs 28 to 37 SODB0001	1
28	ASK-5	Key 1/4x1/4x3/4	1
29	ASR-6	Retaining Ring N1400-150	2
30	ASA-1-S	Spacer .025" Thick	is req
30a	ASA-1	Spacer .050" Thick	is req
31	AFK25.4-250OD01	Pulley, Half- Fixed	1
32	AMC-2-250OD01	Pulley, Half -Sliding incl. Refs. 33, 34 & 35	1
33	ANS-2-T	Shoe, Cam	3
34	AMB-2	Bushing, Bronze	1
35	111-01	Pin, Spirol 5/32x1.00	1
36	ACS-3-188	Spring, Blue	1
37	AFC-4-C3D4	Cam, 2-Way Aluminum	1

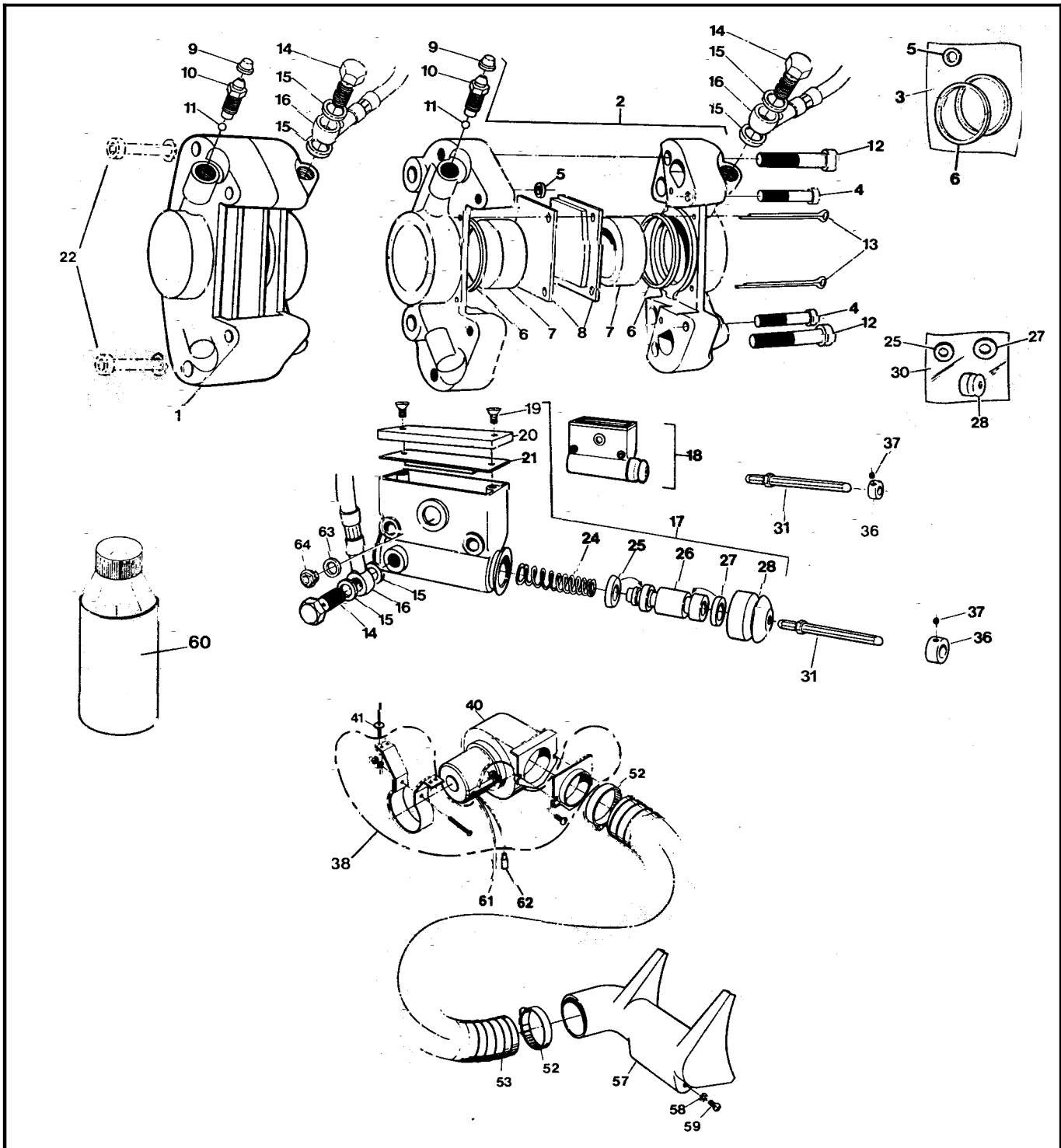
4.0 Power Pack Assembly Conquest Parts Manual



Conquest Parts Manual 4.0 Power Pack Assembly

Ref	Part No.	Description	Qty	Ref	Part No.	Description	Qty
1	FD620D-DS12	Engine - Kawasaki, FD620-DS12 (incl. Refs. 2, 3, 4, 7, 9, 11, 49, Exhaust Gasket)	1	50 to 57		See Section 5.0 Brake System - Hydraulic	
2	12070-2072	Sparkplug, BMR4A	2	58	117-27	Locknut, Nylon, 1/4-20 Zc	2
3	1013-2114	Element, Air Filter	1	59	103-66	HHCS 1/4-20x4.0 Gr5 Zc	2
4	1013-2139	Element, Air Filter	1	60	610-75	Bracket, Igniter	1
6	110-13	Key 1/4x1/4x2.25	1	61	103-69	SHCS 1/4-20x1.5 Zc	2
7	1009-2566	Gasket, Drain Plug	1	62	113-02	O-Ring	2
8		See Section 3.0 Clutch System		63	810-20	Lever Asm., Brake - LH	1
9	127-68	Filter, Oil	1	64	810-21	Lever Asm., Brake - RH	1
10	112-15	SHSC M10x1,5x90mm	1	65	103-17	HHCS 3/8-16x1.0 Gr5 Zc	2
11	1009-2765	Gasket	1	66	108-26	Washer 3/8 Zc	2
14	1176-2098	Sensor	1	67	127-15	Hose, Auxiliary Tank	1
16	108-54	Lockwasher, Hi-Collar	1	68	127-16	Bottle, Auxiliary Tank	1
17	108-18	Washer, 13/32x1.375x11GA	3	69	127-14	Holder, Auxiliary Tank	1
18	112-30	SHCS M8x1,25x20mm	4	70	100-57	Throttle Twist Grip	1
19	108-05	Lockwasher 5/16 Zc	4	71	127-35	Grip, Molded	2
21	811-14	Spacer	2	73	612-71	Cable Asm., Choke - Conq.	1
22		See Section 5.0 Brake System - Hydraulic		74	612-71N	Nut, Molded Panel	1
23	112-57	HHCS 5/8-11x10.0 Gr5 Zc	1	78	603-29	Guard, Belt Protect	1
24	117-09	Locknut, Nylon 5/8-11 Zc	3	79	601-92	Vinyl Trim - 1.5"	1
25	811-09	Washer, Square, .64ID	5	80	601-93	Vinyl Trim - 4.25"	1
27	112-58	HHCS 5/8-11x7.5 Gr5 Zc	2	84		See Section 5.0 Brake System - Hydraulic	
28	811-30	Frame, Powerpack - Conq.	1	85	127-32	Duct Intake, Conquest	1
29	103-20	HHCS 1/2-13x6.5 Gr5 Zc	2	86	106-07	Retaining Ring	4
30	108-07	Lockwasher 1/2 Zc	2	87	127-33	Spring, Extension	1
31	117-06	Nut, Fin Hex 1/2-13 Zc	2	88	103-55	HHCS 5/16-18x2.75 Gr5 Zc	3
32		See Section 1.0 Transmission		89	108-05	Lockwasher 5/16 Zc	3
39	103-53	HHCS 3/8-16x3.0 Full Thread	2	90		See Section 5.0 Brake System - Hydraulic	
40a	103-34	HHCS 3/8-16x1.25 Gr5 Zc	1	92	812-01	Bracket Asm., Steering	1
40b	103-18	HHCS 3/8-24x1.25 Gr5 Zc	1	93	812-27	Lever Asm., Steering - LH	1
41	108-06	Lockwasher, 3/8 S/R, Zc	3	94	812-26	Lever Asm., Steering - RH	1
42	125-56	Drive Belt	1	95	812-28	Cable Asm., Throttle - Conq	1
43		See Section 3.0 Clutch System		98	92170-2075	Clamp	1
44	110-09	Key 1/4x1/4x3.0	1	100	125-88	Spring, Extension	1
45	810-01	Brake Disc #50-2x13T	2	101	103-41	SHCS 3/8-16x1.25 Zc	4
46	110-14	Key 1/4x1/4x1.25	4	102	108-23	Washer 3/8 SAE Gr8 - Dich	4
47	108-36	Washer .06x1.00x1.375 Zc	1 is rec	103	126-89	Cap, Vinyl - Black	2
48	120-13	Rivet 3/16x5/8	2	104	127-52	Bracket, Spring	1
49	1119-2120	Igniter	1	106	127-3C	Spring, Extension	1
				107	601-86	Clip, Retainer	1

5.0 Brake System - Hydraulic Conquest Parts Manual

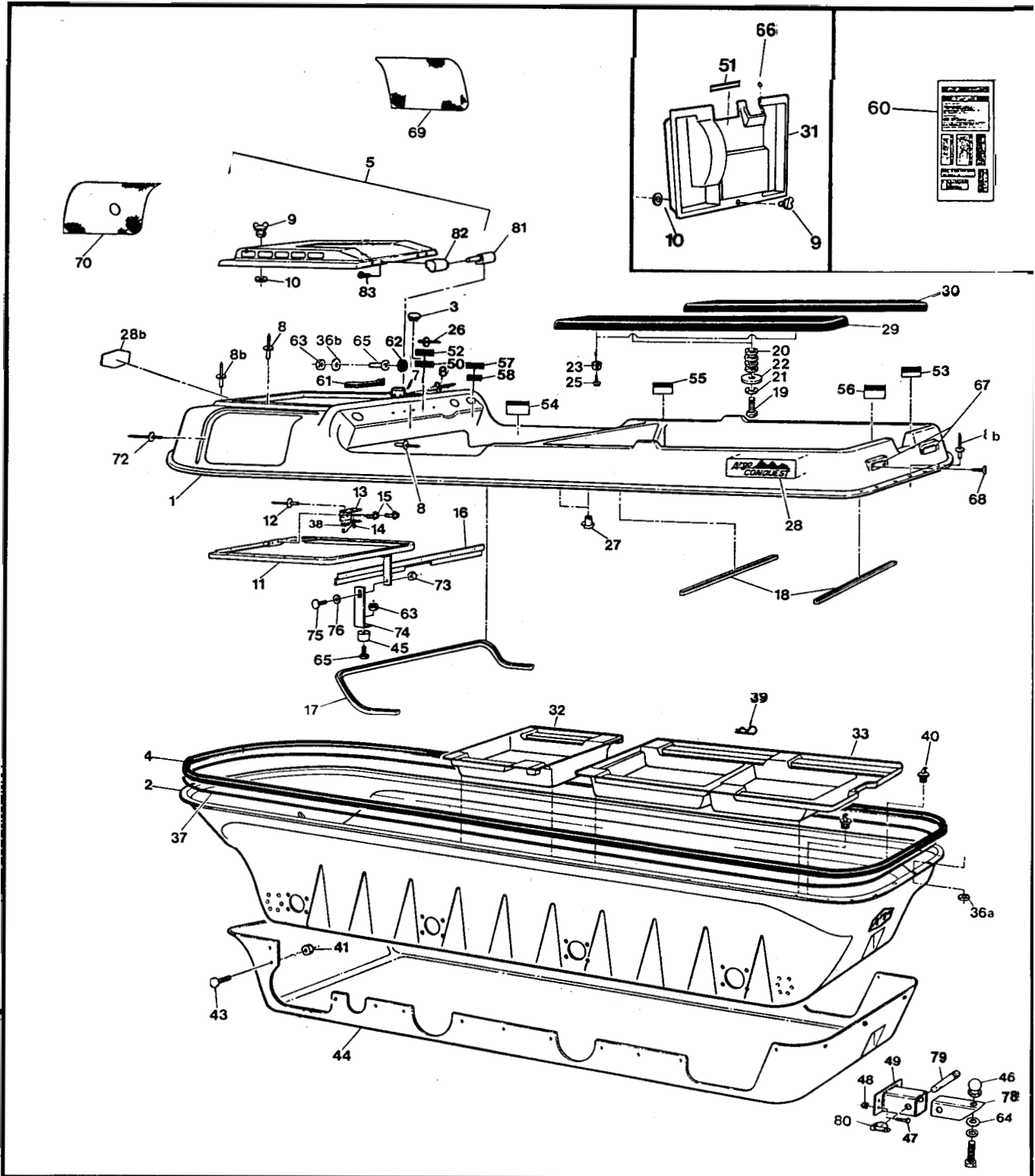


Conquest Parts Manual 5.0 Brake System - Hydraulic

Ref	Part No.	Description	Qty
1	166-01RM	Caliper, Brake - L w/o Pads (incl. Refs 5, 6, 7, 9 - 12)	1
2	166-02RM	Caliper, Brake - R w/o Pads (incl. Refs 5, 6, 7, 9 - 12)	1
3	161-01	O-Ring Kit, Caliper (incl. Refs 5 & 6)	2
4	160-40	SHCS M8x1,25x40 Zc	2
5		Seal, Rubber - 5mm (see Ref 3)	1
6		Seal, Piston - 41mm (see Ref 3)	2
7	168-05	Piston 41mm	2x2
8	170-02	Brake Pad Set (4) - Metallic	1
9	168-20	Plug, Rubber	1x2
10	168-03	Screw, Bleeding M10x1,0	1x2
11	109-03	Ball, Steel - 7/32 Dia.	1x2
12	160-41	SHCS M10x1,5x50mm Zc	2x2
13	168-06	Pin, Cotter 3,2x50mm	2x2
14	160-44	Bolt, Banjo-M10x1,0x21,0Zc	4
15	160-01	Washer, Copper- 1,5x10,0x14,0	8
16	163-01	Hose Asm,Hydraulic-300mm	1x2
17	165-06	Master Cylinder - left (incl. Refs 19 to 21, 24 to 28, 63 & 64)	1
18	165-05	Master Cylinder - right (incl. Refs 19 to 21, 24 to 28, 63 & 64)	1
19	160-42	FHMS M5x0,8x6mm	2x2
20	168-08	Cover	1x2
21	168-09	Cover, Rubber	1x2
22		See Section 4.0 Power Pack Assembly	
24	162-02	Spring, Comp. 0.59x1.5	1x2
25		Seal, Primary, 19mm (See Ref. 30)	1x2
26	168-10	Piston 19mm dia.	1x2
27		Seal, Secondary, 19mm (See Ref. 30)	1x2
28		Boot, Rubber (See Ref. 30)	1x2
30	161-25	O-Ring Kit - Master Cylinder (incl. Refs 25, 27 & 28)	1x2
31	812-13	Pin Asm, Plunger-Adjustable	2
36	812-17	Collar	2
37	112-02	SHSS 10-24x1/4 Knurl Cone PT, PL	2

Ref	Part No.	Description	Qty
38	125-92	Adpt. & Mounting Kit - includes the following: Mounting Bracket Nut, #10-32 Lockwasher, 3/16" Screw, #10-32x2" Nut, 1/4-20 Lockwasher, 1/4" Screw, 1/4-20x5/8" Adaptor, 3" dia.	1 1 1 1 2 2 2 1
4c	125-91	Blower Fan	1
41		See Section 2.0 Intake and Exhaust System	
52	125-35	Clamp, Gear 3.50" HF-52	2
53	127-06	Hose, Intake 3" dia. x 26"	1
57	126-36	Brake Cool Air Duct	1
58	108-56	Lockwasher 1/4 Ext. Tooth	2
5s	103-96	PHMS, Phil 1/4-20x5/8 Zc	2
60	126-19	Fluid, Brake - Silicon Dot ! - .35L	
61	118-02	Terminal, Male #76- 1251	
62	118-03	Terminal, Female #76-1289	
63	160-03	O-ring, Oil Window	1x2
64	168-14	Oil Window, Master Cylinder	---

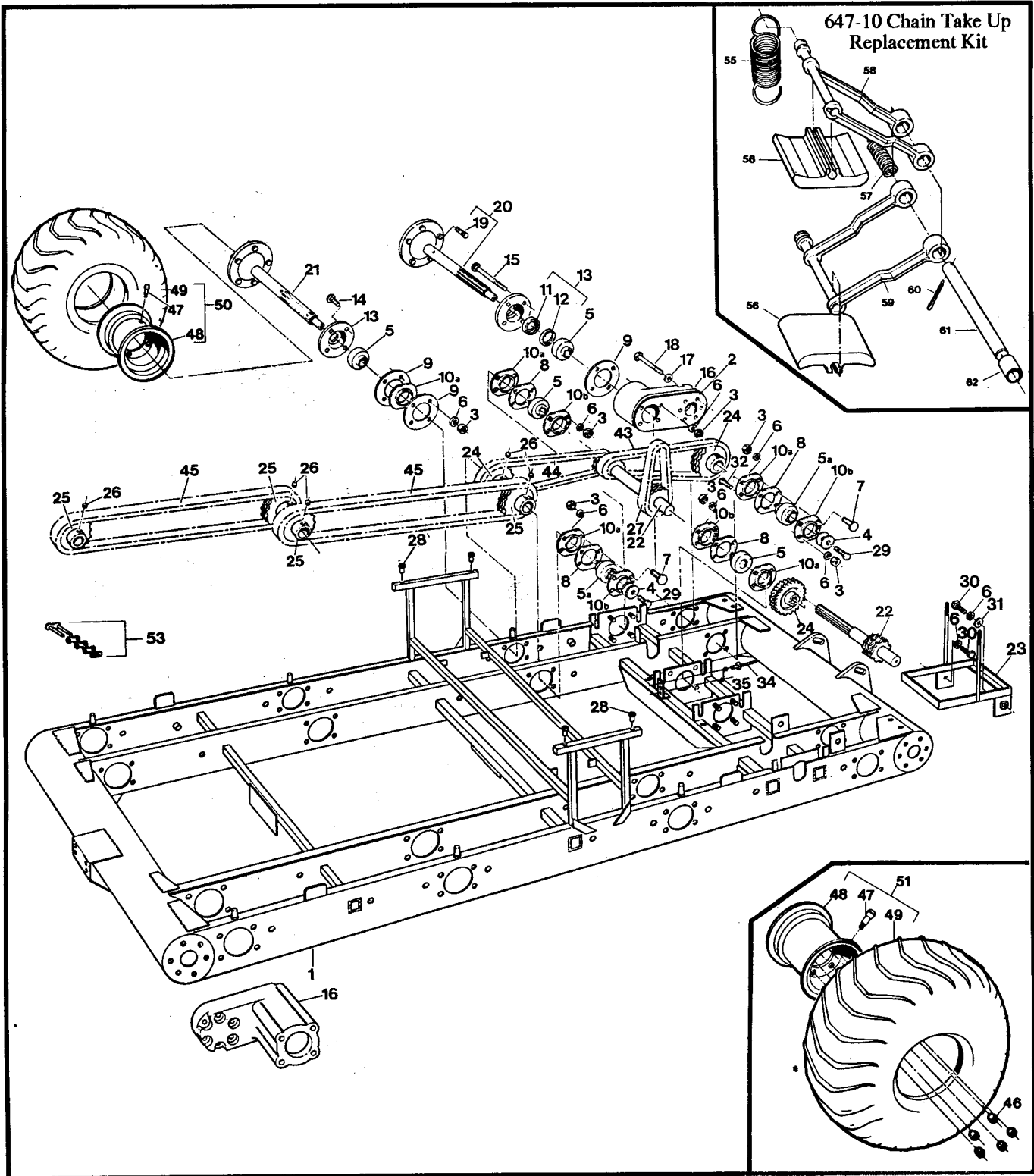
6.0 Vehicle Body & Firewall Conquest Parts Manual



Conquest Parts Manual 6.0 Vehicle Body & Firewall

Ref	Part No.	Description	Qty
1	801-98	Body, Upper - Conquest, (specify colour) (incl. Ref. 11, 12, 13, 14, 15, 5)	1
2	801-43	Body, Lower - Conquest, (specify colour)	1
3	127-28	Plug, Nylon - Black	1
4	801-05	Bumper, Vinyl - 8x8	1
5	602-34	Hood Kit,, - Conquest, (spec. colour) (incl. 7,8,9,10,81,82,83)	1
7	602-38	Clip, Hood	1
8	120-13	Rivet 3/16x5/8	23
8b	120-09	Rivet 3/16x1	63
9	126-10	Wing Stud	2
10	126-09	Grommet, Alum. #GH-7	2
11	602-24	Frame Asm., Hood	1
12	120-15	Rivet 1/8x7/16	2
13	601-69	Spring Plate	1
14	126-11	Spring	1
15	103-72	Screw, IHWH T/C Slot 1/4-20x0.5"	2
16	602-29	Brace, Dash	1
17	601-08	Trim, Vinyl 84"	1
18	601-09	Trim, Vinyl 28"	2
19	112-04	HHCS, 1/4-20x3/4" Gr2 Zc	4
20	108-25	Washer, Plate 1/4 Zc	16
21	108-03	Lockwasher, 1/4 Split Ring	4
22	801-41	Washer, Seat	4
23	126-79	Bumper, Plastic - Black	4
25	103-48	T/S Pan HD PHIL #10x5/8"	4
26	120-24	Rivet, 3/32x3/8 Alum. (all plates)	22
27	117-44	T-Nut 1/4-20 PL	4
28	127-27	Nameplate - Conquest	2
28b	601-44	Nameplate - Argo	1
29	801-03	Seat, Rear LH, 8x8	1
30	801-02	Seat, Rear RH, 8x8	1
31	609-33	Firewall - Conquest	1
32	803-02	Floor Pan - Front - (spec. clr.)	1
33	803-03	Floor Pan - Rear - (spec. clr.)	1
36a	120-04	Washer .195IDx.50ODx.080	57
36b	120-05	Washer .195IDx.50x.040 Zc	2
37	126-60	Seal, Vinyl 1/2"x1/4"x37.5'	1
38	120-05	Washer	2

Ref	Part No.	Description	Qty
39	100-16	Clip, Hitch Pin 1.625 Zc	6
40	100-18	Plug, Drain 5/8"x13/32"	2
41	120-28	Collar, Magna Grip	32
43	120-27	Pin, Magna Grip	32
44	863-11	Skid Plate, 8x8 - Black	1
45	126-88	Bumper, Rubber	1
46	100-61	Coupler Ball (c/w Bolt+Wshr)	1
47	103-61	HHCS 3/8-24x1.50 Gr5 Zc	4
48	117-24	Locknut, Nylon 3/8-24 Zc	4
49	616-16	Hitch Assembly	1
50		Vehicle ID Plate, Alum.	1
51	126-65	Plate, Shifting	1
52	127-26	Plate, Steering Lever+Winch	1
53	126-67	Plate, Floor Pan	1
54	126-68	Plate, Operation	1
55	126-69	Plate, Fuel	1
56	126-70	Plate, Vehicle Capacity	1
57	126-72	Plate, Holding Brake	1
58		U.S. Plate, Non-U.S. Argos only	1
60	126-73	Decals, French Language (incl. 50 to 58 available as set only)	1
61	125-41	Handle, Dash (incl. 62)	1
62		Plug Cap, (avail. only with 61)	2
63	117-10	Locknut, Nylon #10-24 Zc	3
64	108-53	Washer, 3/4x1.5x.125 SAE	1
65	103-25	PHMS #10-24x.750 Zc	3
66	125-84	Grommet, Rubber	1
67	127-01	Reflector, Red	2
68	103-48	Pan HD PHIL T/S #10x5/8	4
69	807-73	Screen, Intake - Conquest	1
70	807-74	Screen, Exhaust - Conquest	1
72	120-11	Rivet - 5/32 x 9/16	28
73	117-15	Nut, Fin Hex 3/8-16 Zc	1
74	602-27	Support, Adjustable	1
75	103-89	C/Bolt 3/8-16x.75 Gr2 Zc	1
76	108-06	Lockwasher, 3/8 S/R, Zc	1
78	616-19	Tube, Hitch - Insert	1
79	104-13	Pin, Top Link	1
80	104-11	Pin, Lynch	1
81	127-45A	Pin, Hinge	2
82	127-45B	Knuckle, Hinge	2
83	103-47	HHCS 10-24x3/8"	8

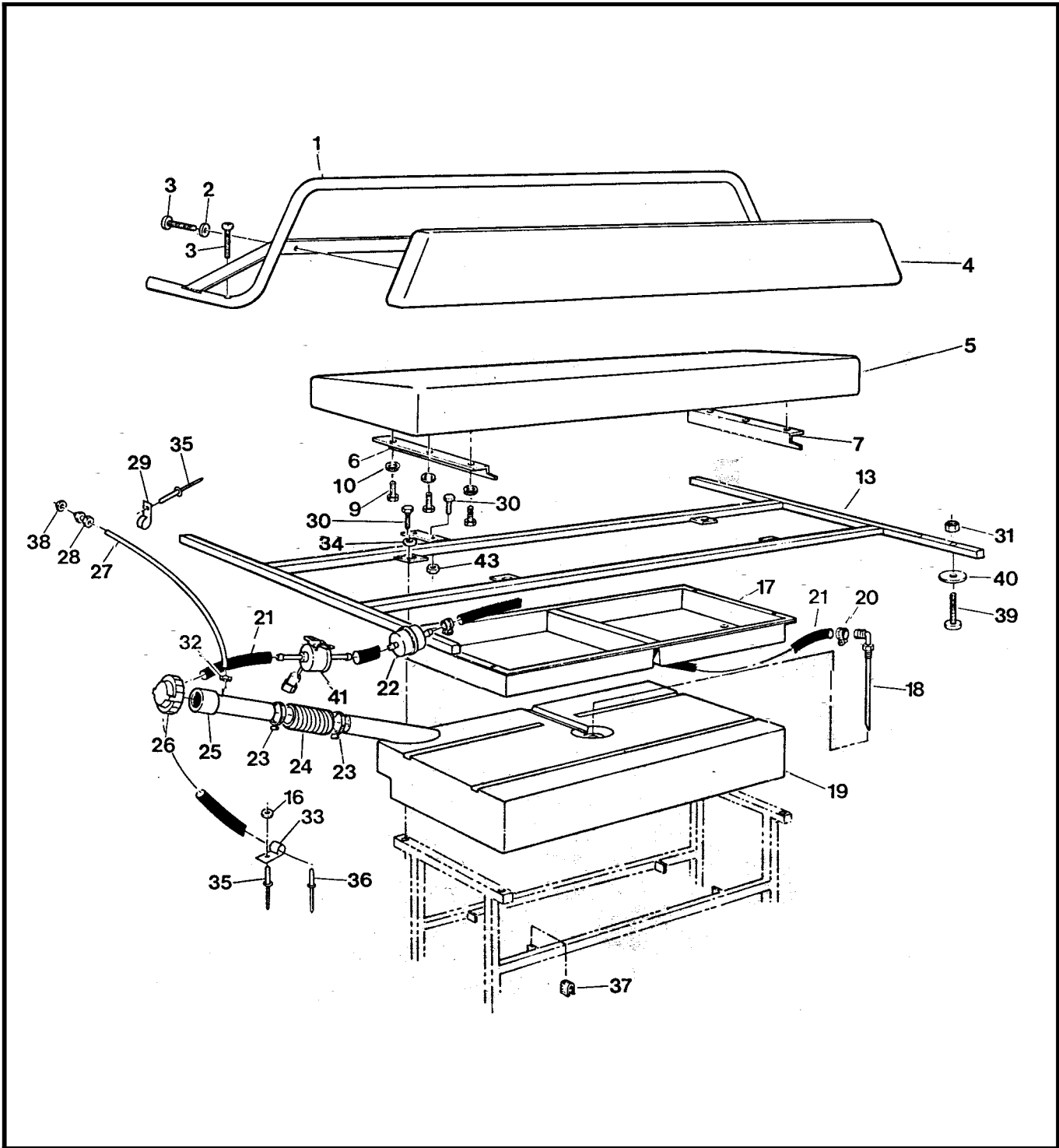


Conquest Parts Manual 7.0 Frame and Drive System

Ref	Part No.	Description	Qty
1	804-90	Frame Asm. - Conquest	1
2	605-69	Gasket - GRC-36 Mat'l	4
3	117-15	Nut, Fin Hex 3/8-16 Zinc	80
4	108-46	Washer 13/32x1.375x.12 Hi-Carb	16
5	101-35	Bearing, Ball #1030-1.25 GFS	12
5a	101-41	Bearing, Ball #1030-1 GFS	8
6	108-06	Lockwasher, 3/8" S/R, Zc	82
7	103-88	C. Bolt, 3/8-16x1.00 Gr5 Zc	30
8	605-99	Gasket, Flange	12
9	605-89	Gasket, Outer Bearing Flange	12
10a	605-63	Flange, Bearing - Outer	16
10b	101-20	Flange Asm., Bearing	12
11	102-14	Seal, Oil CR #12361	8
12	102-15	Seal, Oil CR #12379	8
13	605-97	Flange Asm., Outer (incl. Refs. 11 & 12)	8
14	112-39	C. Bolt, 3/8-16 x 1-3/4"	16
15	103-67	C. Bolt, 3/8-16 x 6" Gr2 Zc	16
16	810-36	Bearing Extension (uses Refs 17 & 18)	4
17	108-34	Washer, 7/16" SAE Zc	24
18	103-81	HHCS, 7/16-20x2.5" Gr5 Zc	24
19	103-80	Stud, Wheel 7/16-20x1.125 #B271, (see Refs. 20, 21)	5x8
20	810-73	Axle Asm. - Front/Rear (incl. Ref. 19)	4
21	810-75	Axle Asm. - Mid (incl. Ref. 19)	4
22	810-45	Shaft, Idler - 11T	2
23	604-84	Frame Asm., Battery	1
24	810-28	Sprocket, Double - 24T	6
25	810-29	Sprocket, M/R Axle - 19T	8

Ref	Part No.	Description	Qty
26	112-03	SHSS 5/16-18x3/8 1/2 DOG, PL	10
27	803-17	Chain, Idler RC50-2x40P	2
28	117-64	Insert, 1/4-20	4
29	112-31	HHCS 3/8-16x1.0 2B Gr8	8
30	112-14	HHCS 3/8-16x.750 Gr5 Zc	2
31	108-15	Washer 3/8 SAE Zc	1
32	103-82	HHCS 3/8-16x1.5 Gr5 Zc	2
34	120-15	Rivet 1/8x 7/16	2
35	126-11	Spring	1
43	603-17	Chain, RC50-2 x 42P-Front	2
44	603-20	Chain, RC50-2 x 70P-Mid	2
45	603-21	Chain, RC50-2 x 96P-Rear	4
	Note:	(Refs 27, 43, 44 & 45 come with Ref. 53)	
46	117-35	Nut, Wheel 7/16-20- Zinc	5x8
47	125-26	Valve, Tire	8
48	125-13C	Rim, Char. 8x7-5 Bolt	8
49	126-96	Tire, Goodyear Runamuk 22x10-8, (see Refs. 50 & 51)	8
50	126-98C	Tire & Rim Asm. - LH (incl. Refs 47, 48 & 49)	4
51	126-97C	Tire & Rim Asm. - RH (incl. Refs. 47, 48 & 49)	4
53	100-96	Con. Link, RC50-2 H.D.	1x10
55	125-61	Spring, Tensioner	1x6
56	603-61	Slider Block	2x6
57	125-78	Spring, Spacer	1x6
58	603-77	Arm, Chain Tensioner - Upr	1x6
59	603-76	Arm, Chain Tensioner - Lwr	1x6
60	100-01	Pin, Cotter 1/8x1.50 Zinc	1x6
61	603-78	Pin, Pivot	1x6
62	603-66	Spacer, .500 ID x .625 LG	1x6
63	647-10	Chain Take-up Replacement Kit (incl. Refs. 55 thru 62 as shown)	6

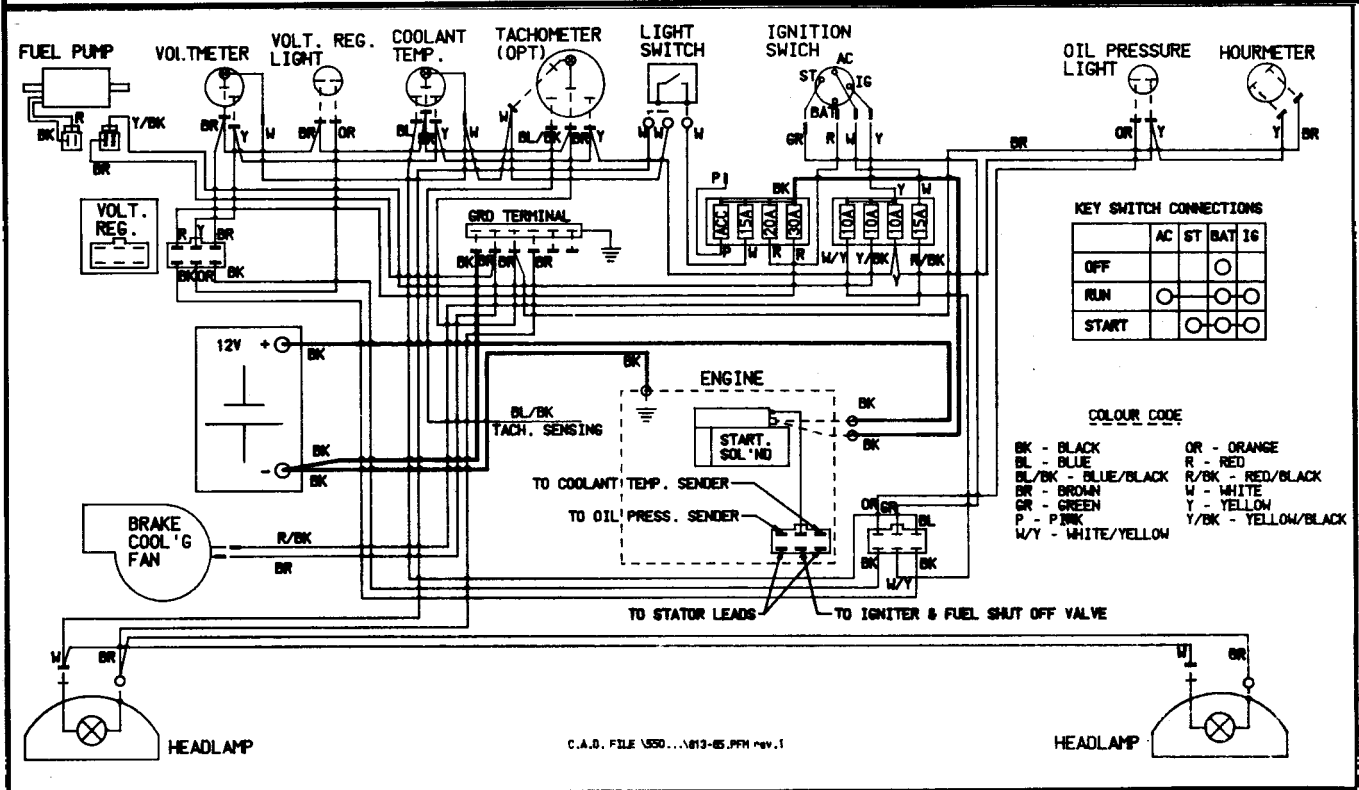
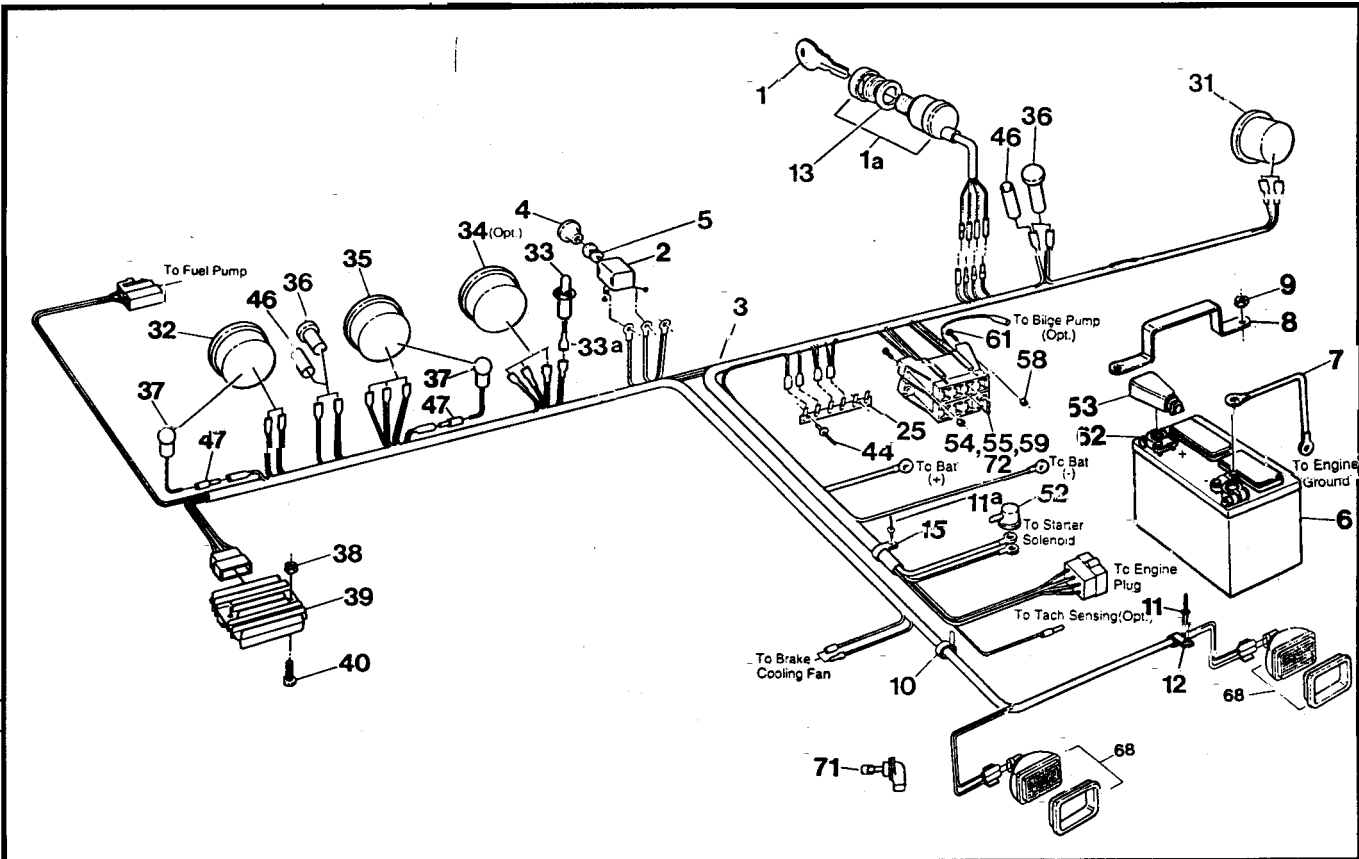
8.0 Fuel System & Seat Assembly Conquest Parts Manual



Conquest Parts Manual 8.0 Fuel System and Seat Assembly

Ref	Part No.	Description	Qty
1	803-50	Handrail Assembly	1
2	108-03	Lockwasher, Split Ring 1/4"	4
3	112-41	PHMS, PHIL 1/4-20x1.250 Zc	6
4	608-39	Back Pad Asm.	1
5	608-43	Seat, Bench	1
6	608-30	Angle, Left	1
7	608-31	Angle, Right	1
9	112-04	HHCS 1/4-20x3/4 Gr2 Zc	6
10	108-03	Lockwasher 1/4 Split Ring Zc	6
13	804-17	Frame Asm., Seat	1
16	120-04	Washer, .195IDx.50ODx.08Zc	2
17	608-32	Tool Box	1
18	608-28	Pickup Assembly, Fuel (See Ref. 19)	1
19	608-24	Tank, Fuel 32 litre (incl. Ref. 18)	1
20	100-70	Clamp, Gear 1/2" HF4	4

Ref	Part No.	Description	Qty
21	608-42	Fuel Hose, 110"	1
22	125-64	Fuel Filter, #G81-4	1
23	100-12	Clamp, Gear 2.25" HF-36	2
24	125-94	Hose, Filler	1
25	126-47	Neck Asm., Fuel	1
26	126-46	Cap, Fuel	1
27	127-21	Hose, Vent 86"	1
28	126-50	Male Connector, 1/4"	1
29	126-94	Clamp, Nylon Wire, 1/4"ID	5
30	112-04	HHCS 1/4-20x3/4 Gr2 Zc	6
31	117-10	Locknut, Nylon #10-24 Zc	12
32	126-62	Clamp, Gear 1/4" 2-Ear	1
33	126-93	Clamp, Nylon Wire, 1/2"ID	5
34	108-08	Washer, .28x.62x.04 Zinc	4
35	120-09	Rivet, 3/16x1	7
36	120-13	Rivet, 3/16x5/8	2
37	702-06	Foam Cushion	4
38	117-54	Nut, Locking PAL 1/2-20 Zc	1
39	112-07	RHMS, 10-24x1.25 Zc	12
40	108-42	Washer, .062x7/32x1.00 Zc	12
41	49040-2065	Pump, Fuel	1
43	117-27	Locknut, Nylon 1/4-20 Zc	2



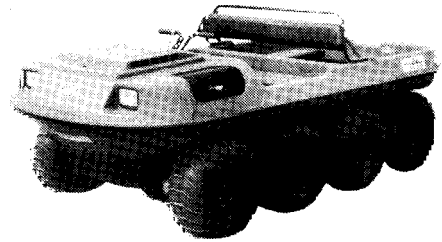
Ref	Part No.	Description	Qty
1	100-39A	Key	1
1a	127-17	Switch, Ignition - Conquest (incl. Ref. 1)	1
2	100-62	Switch, Light	1
3	613-61	Wire Harness - Conquest (incl. Fuse Holders)	1
4	126-76	Knob, Light	1
5	108-55	Washer, External Tooth	1
6	127-54	Battery, Exide 45-50	1
7	613-14	Wire, Ground - 14"	1
8	604-52	Bracket, Battery Retaining	1
9	117-21	Locknut, Nylon 5/16-18 Zc	2
10	100-64	Tie Wrap, 5.5" - Black	8
11	120-09	Rivet 3/16x1	10
11a	120-13	Rivet 3/16x5/8	6
12	126-93	Clamp, Nylon Wire-1/2"ID	16
13	108-57	Lockwasher, 3/4" Internal Tooth	1
15	127-24	Clamp, Nylon - 1" ID	5
25	613-37	Terminal Strip, Ground	1
31	632-15	Hourmeter, #56458-10 (#876EM)	1
32	633-10	Voltmeter, #07583-15 (#830EM)	1
33	634-05	Light Kit	1
33e	118-05	Terminal, 1/4" Male Blade	1
34	634-04	Tachometer Kit	1
35	634-22	Gauge, Water Temperature	1
3t	634-08	Light, Indicator	2
37	634-10	Light Kit, #06215-00	2
38	117-27	Locknut, Nylon 1/4-20Zc	2
39	21066 2070	Regulator, Voltage	1
40	103-63	PHMS, PHIL 1/4-20x1.0 Zc	2

Ref	Part No.	Description	Qty
44	120-15	Rivet, 1/8x7/16	2
46	118-48	Heat Shrink , 2 x 1/2	2
47	118-02	Terminal, Male #76-1251	2
52	613-46	Terminal Insulator (2 ga.)	1
53	127-55	Cap, Battery Terminal	1
54	118-53	Fuse, 20A 2 prong (AT020)	1
55	118-49	Fuse, 15A 2 prong (AT015)	2
58	117-10	Locknut, Nylon #10-24 Zc	4
59	118-52	Fuse, 10A 2 prong (AT010)	3
61	103-25	PHMS, #10-24x.750 Zc	4
62	127-56	Terminal, Battery Post	2
68	613-62	Headlamp Asm. , Halogen	2
71	127-46	Bulb, Headlight - Halogen	2
72	118-51	Fuse, 30A 2 prong (AT030)	1

ARGO Products Manufactured by:

Ontario Drive & Gear Limited
P.O. Box 280, Bleams Road
New Hamburg, Ontario
Canada N0B 2G0
Phone: (519) 662-2840
Fax: (519) 662-2421

ODG *Dedicated to quality and performance*



ARGO

CONQUEST PARTS MANUAL

**Model Nos. V894-37 &
V894-38**
From Serial #CB14606

Foreword

ODG has prepared this parts manual for the CONQUEST model to assist both qualified mechanics and vehicle owners in ordering correct, quality replacement ARGO parts.

5/8

Proper and regular service, and replacing old, worn or broken parts with the correct ARGO replacement parts, are both essential to prolonging the life of the ARGO. Please refer to this parts manual before ordering any replacement part.

All information contained in this CONQUEST Parts Manual is based on the latest product specification available at time of printing. If your CONQUEST differs from the specifications contained in this manual, contact Ontario Drive & Gear Limited for information.

ODG reserves the right to alter specifications on the CONQUEST model at any time, without obligation or prior notification.

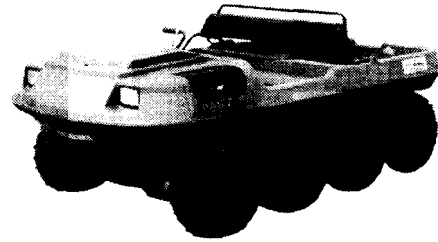
Reproduction of this CONQUEST Parts Manual, in whole or in part, is prohibited without prior written permission from Ontario Drive & Gear Limited.

Model Identification

CONQUEST - Model Nos. V894-37 and V894-38

Explanation of Parts Manual Format

- Reference number between assembly diagram and component parts list
- Part No.** - Argo replacement part number for identification and re-ordering
- Description** - Part description for identification and re-ordering
- Indicates the quantity of a part used in an Assembly

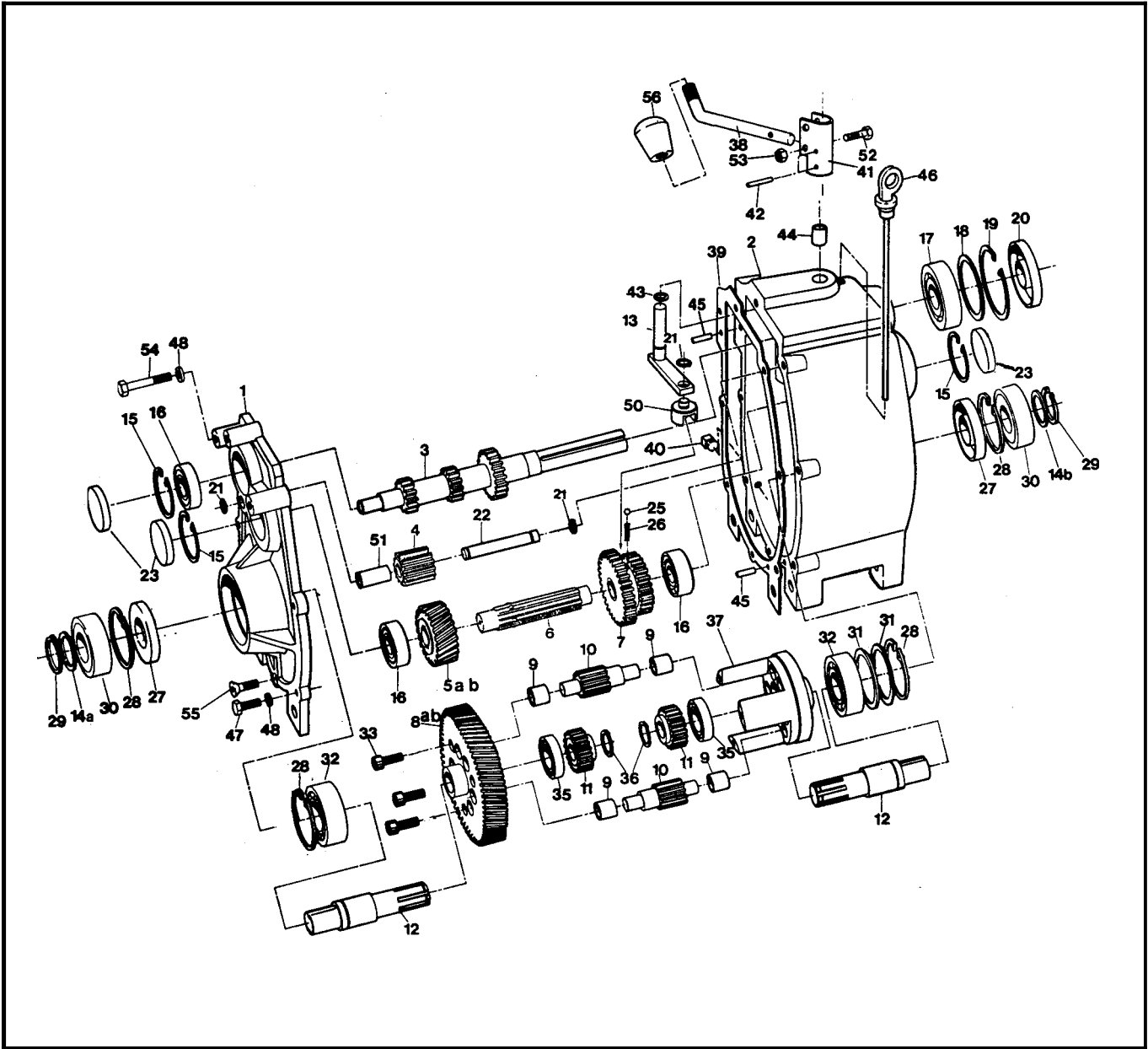


Using the Parts Manual

- 1 Find the major vehicle assembly in the Table of Contents on this page, and turn to that section.
- 2 Locate the part in the illustration that you wish to order.
3. Refer to the parts list in that section
4. Find the correct part number (Part No.), part description (Description) and correct quantity (Qty).
5. Use *only* this information to order ARGO replacement parts. **DO NOT** attempt to order a replacement part by reference number or page number.

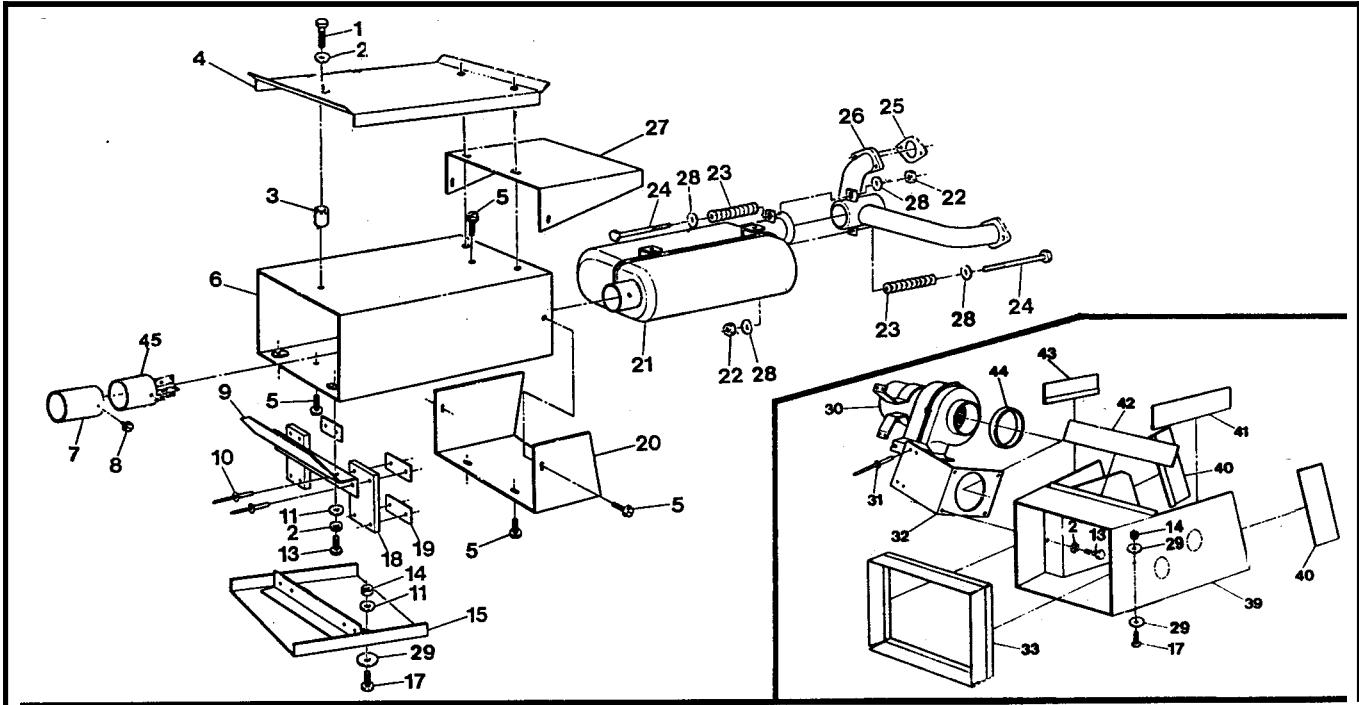
Table of Contents

Foreword	i
Model Identification	i
Using the Parts Manual	ii
1.0 Transmission	1
2.0 Intake and Exhaust System	3
3.0 Clutch System	3
4.0 Power Pack Assembly	5
5.0 Brake System - Hydraulic	7
6.0 Vehicle Body & Firewall	9
7.0 Frame & Drive System	11
8.0 Fuel System & Seat Assembly	13
9.0 Electrical System	15

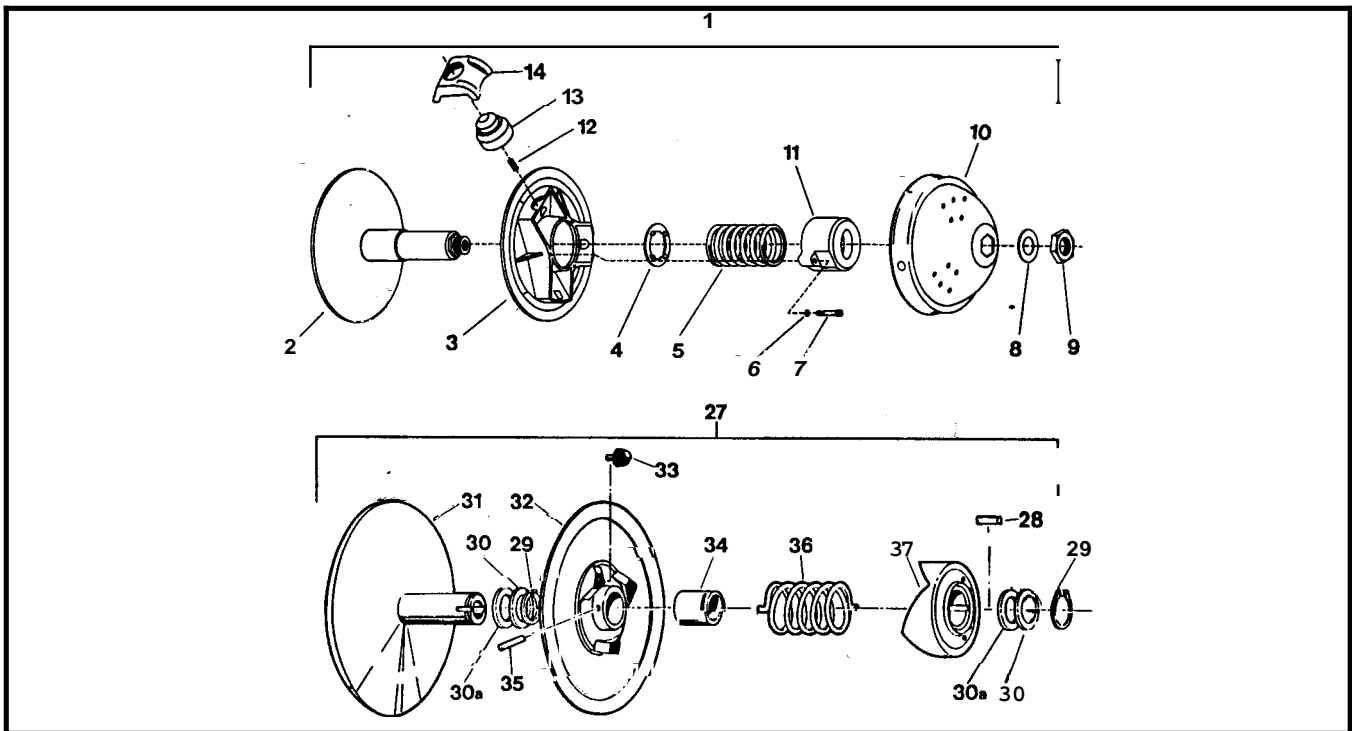


Ref	Qty	Part No.	Description
		610-17MU	Transmission Asm - MU, does not include Refs 38, 52, 53 & 56, uses Refs 5a & 8a
		610-17GU	Transmission Asm - GU, does not include Refs 38, 52, 53 & 56, uses Refs 5b & 8b
1	1	34-68	Cover, Transmission
2	1	34-99	Housing, Transmission
3	1	34-21	Shaft, Input - 13/21T
4	1	34-16A	Gear, Idler - 13T (incl. Ref 51)
5a	1	34-95	Gear, Helical- 24T - M
5b	1	34-97	Gear, Helical- 21T - G
6	1	34-94	Shaft, Spline
7	1	34-91	Gear, Double - 26/33T
8a	1	34-22	Gear Plate - 73T - M
8b	1	34-45	Gear Plate - 76T - G
9	12	105-03	Bushing, Oilite - 1/2 x 3/4
10	6	34-13	Gear, Planet - 12T
11	2	34-14	Gear, Sun - 21T
12	2	34-81	Shaft, Output
13	1	34-65	Shifter Asm.
14a	1	114-04	Washer, Shim .040 Thk
14b	1	114-05	Washer, Shim .020 Thk
15	3	106-01	Retaining Ring
16	3	101-01	Bearing, Ball 6204Z-C3
17	1	101-16	Bearing, Ball 6206-C3
18	as req.	114-02	Washer, Shim 2.06x2.42x.02
19	1	106-05	Retaining Ring
20	1	102-05	Seal, Oil WBS 30x62x10
21	3	107-05	Retaining Ring
22	1	34-11	Pin, Dowel 1/2 x 3.50
23	3	31-07	Plug Plate
25	1	109-05	Ball, Steel 6mm 62-67 Rc
26	1	34-32	Spring, Compression - 7/32x.50
27	2	102-03	Seal, Oil WBS 30x72x10
28	4	106-03	Retaining Ring
29	2	107-02	Retaining Ring
30	2	101-05	Bearing, Ball 6306-2NSE C3
31	2	114-01	Washer, Shim 2.25x2.81x.02
32	2	101-03	Bearing, Ball 6207-C3
33	3	103-04	SHCS 5/16-18x1.0 Bare
35	2	101-15	Bearing, Ball 6005-C3
36	2	107-04	Retaining Ring
37	1	34-08	Cage
38	1	610-77	Lever, Shift
39	1	34-47	Gasket, Cover - 1/64" Thk
40	1	103-02	Plug, Magnetic 3/8-18 NPT
41	1	34-86	Holder, Shift Lever
42	2	111-01	Pin, Spring 5/32x1.0
43	1	113-01	O-Ring
44	1	105-02	Bushing, Oilite - 1/2 x 1.0
45	2	104-03	Pin, Dowel 1/4 x 7/8
46	1	34-77	Dipstick, with breather
47	4	103-06	HHCS 5/16-18x1.0 GR5 Zc
48	7	108-05	Lockwasher 5/16
50	1	34-63	Shift Yoke
51	1	105-05	Bushing, Oilite - 1/2 x 1.5 (in Ref. 4)
52	1	103-97	HHCS 1/4-20x1.25 GR5 Zc
53	1	117-27	Locknut, Nvlon 1/4-20Zc
54			See Section 4.0 Power Pack Assembly
55	1	103-95	FHSC 5/16-18x1.0 GR8 Zc
56	1	126-38	Knob, Shift

2.0 Intake and Exhaust System Conquest Parts Manual



3.0 Clutch System



Conquest Parts Manual 2.0 Intake and Exhaust System

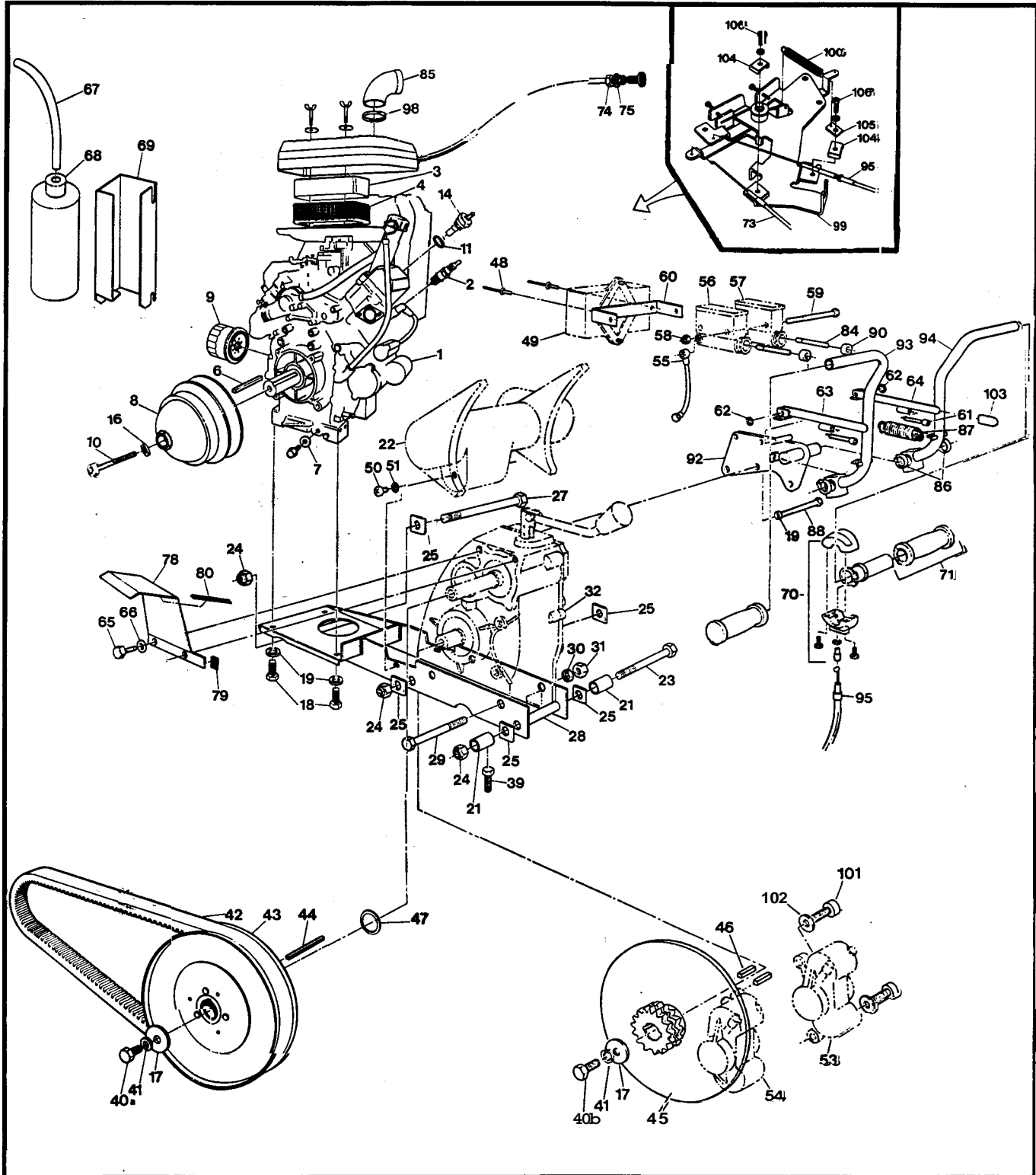
Ref	Qty	Part No.	Description	Ref	Qty	Part No.	Description
1	3	103-97	HHCS 1/4-20x1.25 Gr5 Zc	22	2	117-25	Nut, Conelock 5/16-18
2	9	108-03	Lockwasher 114	23	2	100-10	Spring, Compression
3	3	807-71	Spacer	24	2	112-18	SHCS 5/16-18x2.25
4	1	807-72	Shield, Heat	25	2	11060-2079	Gasket, Muffler
5	7	112-19	Screw IHWH TIC 1/4-20x1/2	26	1	807-66	Manifold Asm
6	1	807-41	Shield Asm, Muffler	27	1	807-38	Cover, Manifold
7	1	807-75	Pipe, Muffler Outlet	28	4	108-24	Washer .34x.70x.06 Zc
8	1	112-43	Screw, IHWH #8x3/8	29	8	108-01	Washer, Fender 114BSx1.25OD
9	1	807-43	Support, Upper	30			See Section 5.0 Brake System
10	8	120-09	Rivet 3/16x1 - Black	31	4	120-13	Rivet 3116x518 - Black
11	4	108-08	Washer .28x.62x.04 Zinc	32	1	807-68	Bracket Asm, Fan
13	6	112-04	HHCS 114-20x314 Gr2 Zc	33	1	603-87	Seal, Radiator
14	5	117-27	Locknut, Nylon 1/4-20Zc	39	1	807-35	Duct Asm, Intake
15	1	807-49	Support, Lower	40	2	603-88C	Seal 9.62"
17	5	103-63	PHMS, PHIL 1/4-20x1.0 Zc	41	1	603-88B	Seal 8.49"
18	2	126-07	Support, Flex	42	1	603-88D	Seal 11.66"
19	4	807-69	Washer, Special	43	1	603-88A	Seal 7.09"
20	1	807-70	Cover, Lower	44	1	602-33	Vinyl Trim - 9.8'
21	1	807-42	Muffler Asm - Conquest	45	1	807-67	Spark Arrester

3.0 Clutch System

Ref	Qty	Part No.	Description
1	1	127-71	Clutch, Driver - Keyed (incl. Refs 2 to 14)
2	1	0405-0020	Pulley, Half - Fixed
3	1	0410-0006	Pulley, Half - Sliding
4	1	V09	Plate, Spring Guide
5	1	V10-48-105-17	Spring
6	3	420-2453-700	Lockwasher
7	3	222-9640-66	SHCS
8	1	0080-0153	Washer, Zc
9	1	0080-0100	Nut
10	1	0115-0003(A)	Cap
11	1	0440-0001	Cover, Spring
12	3	C24-L1	Spring, Anti-noise
13	3	C13-266T	Weight, 266g
14	3	0130-3002	Block, Red
27	1	126-24	Clutch, Driven - Model "B" (incl. Refs 28 to 37)
28	1	ASK-5	Key 1/4x1/4x5/8
29	2	ASR-6	Retaining Ring
30	as req	ASA-1-S	Spacer .025" Thick
30a	as req	ASA-1	Spacer .050" Thick
31	1	AFK25.4-250OD01	Pulley, Half - Fixed
32	1	AMC-2-250OD01	Pulley, Half - Sliding incl. Refs. 33, 34 & 35
33	3	ANS-2-T	Shoe, Cam
34	1	AMB-2	Bushing, Bronze
35	1	111-01	Pin, Spring 5132x1.0
36	1	ACS-3-188	Spring, Blue
37	1	AFC-4-C3D4	Cam

4.0 Power Pack Assembly

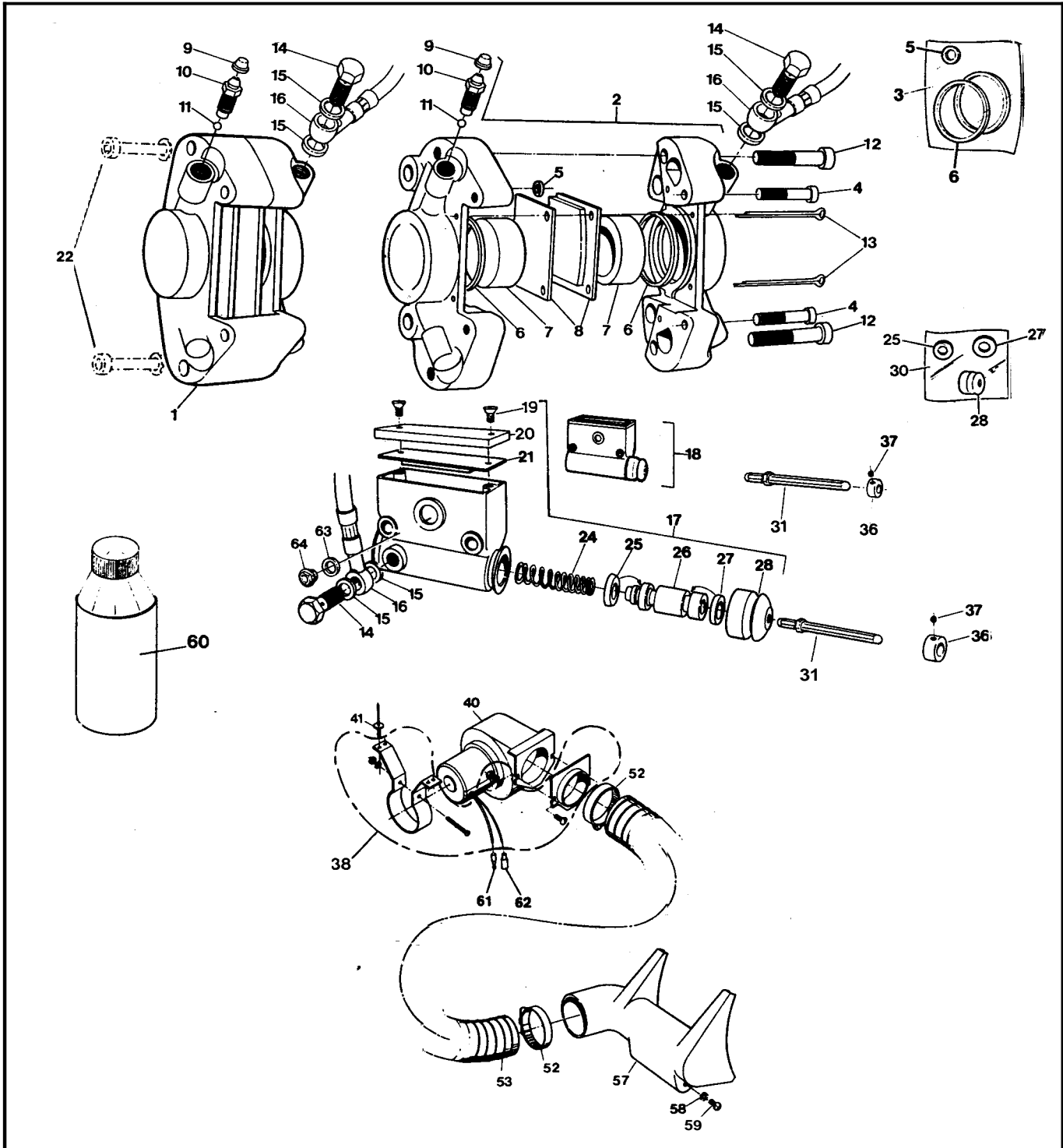
Conquest Parts Manual



Conquest Parts Manual

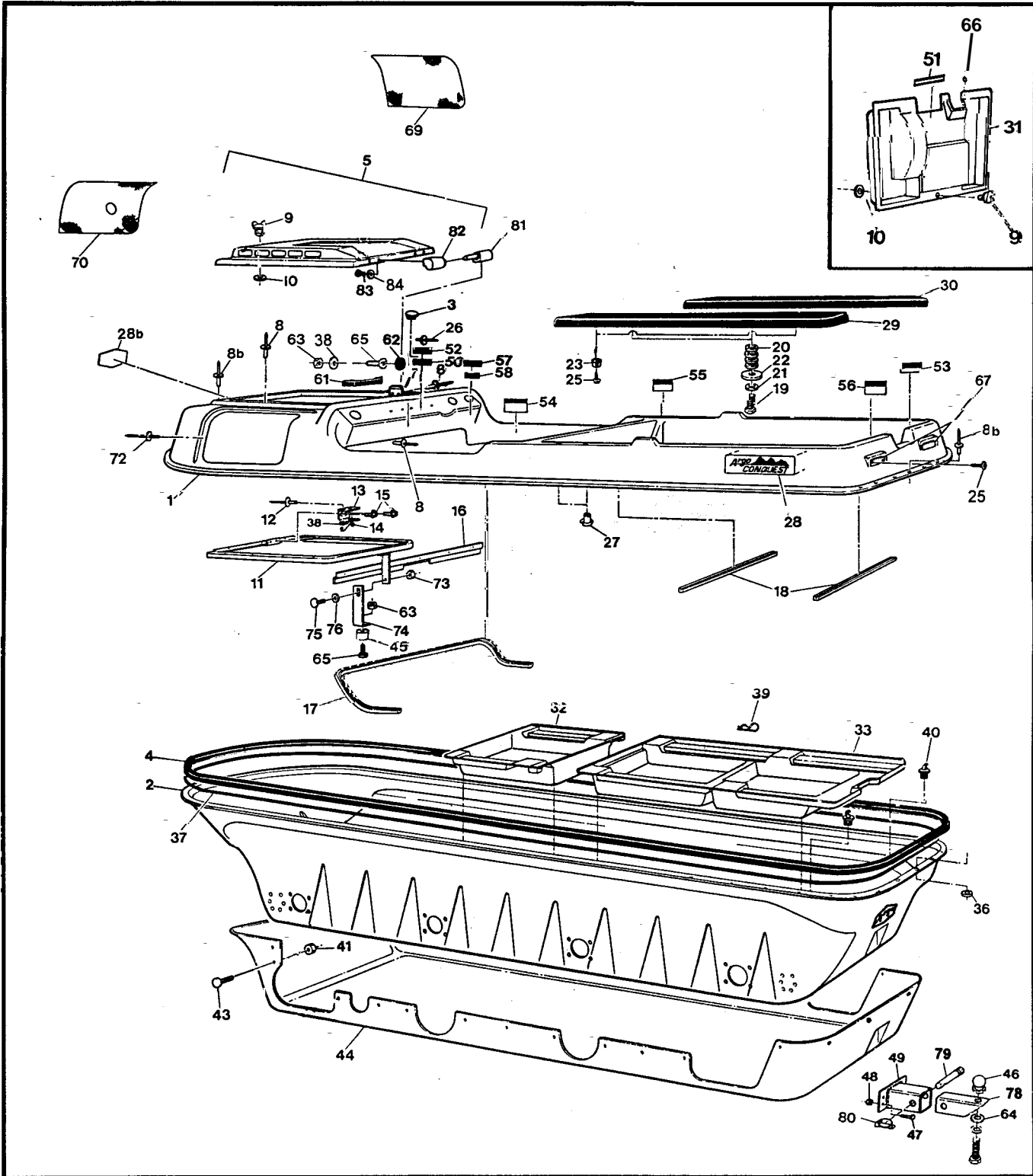
4.0 Power Pack Assembly

Ref	Qty	Part No.	Description	Ref	Qty	Part No.	Description
	1	FD620D-ES1:	Engine - Kawasaki, (incl. Refs. 2, 3, 4, 7, 9, 11, 14, 49)	50 to 57			See Section 5.0 Brake System - Hydraulic
2	2	92070-2072	Sparkplug, BMR4A	58	2	117-27	Locknut, Nylon 1/4-20 Zc
3	1	11013-2114	Element, Air Filter - Foam	59	2	103-66	HHCS 1/4-20x4.0 Gr5 Zc
4	1	11013-2139	Element, Air Filter - Paper	60	1	610-75	Bracket, Igniter
6	1	110-13	Key 1/4x1/4x2.25	61	2	103-69	SHCS 1/4-20x1.5 Zc
7	1	11009-2566	Gasket, Drain Plug	62	2	113-02	O-Ring
8			See Section 3.0 Clutch System	63	1	810-20	Lever Asm, Brake - LH
9	1	127-68	Filter, Oil	64	1	810-21	Lever Asm, Brake - RH
10	1	112-15	SHCS M10x1,5x90mm	65	2	103-17	HHCS 318-16x1.0 Gr5 Zc
11	1	11009-2765	Gasket	66	2	108-26	Washer 3/8 Zc
14	1	21176-2098	Sensor	67	1	127-15	Hose, Auxiliary Tank
16	1	108-54	Lockwasher, Hi-Collar - M10	68	1	127-16	Bottle, Auxiliary Tank
17	3	108-18	Washer .40x1.37x.12 Zc	69	1	127-14	Holder, Auxiliary Tank
18	4	112-30	SHCS M8x1,25x20mm Zc	70	1	100-57	Throttle Twist Grip
19	7	108-05	Lockwasher 5/16 Zc	71	2	127-35	Grip, Molded
21	2	811-14	Spacer	73	1	812-29	Cable Asm, Choke - Conq
22			See Section 5.0 Brake System - Hydraulic	74	1	117-68	Nut, Jam 3/8-24 UNF Zinc
23	1	112-57	HHCS 5/8-11x10.0 Gr5 Zc	75	1	108-32	Lockwasher 3/8 Int. Tooth
24	3	117-09	Locknut, Nylon 5/8-11 Zc	78	1	603-29	Guard, Belt Protect
25	5	811-09	Washer, Square - .64 ID	79	1	601-92	Vinyl Trim - 1.5"
27	2	112-58	HHCS 5/8-11x7.5 Gr5 Zc	80	1	601-93	Vinyl Trim - 4.25"
28	1	811-30	Frame, Powerpack - Conq	84			See Section 5.0 Brake System - Hydraulic
29	2	103-20	HHCS 1/2-13x6.5 Gr5 Zc	85	1	127-32	Duct Intake - Conquest
30	2	108-07	Lockwasher 1/2	86	4	106-07	Retaining Ring
31	2	117-06	Nut, Fin Hex 1/2-13 Zc	87	2	127-33	Spring, Extension
32			See Section 1.0 Transmission	88	3	103-55	HHCS 5116-18x2.75 Gr5 Zc
39	2	103-53	HHCS 3/8-16x3.0 Gr5 Full Thread	90			See Section 5.0 Brake System - Hydraulic
40a	1	103-34	HHCS 3/8-16x1.25 Gr5 Zc	92	1	812-01	Bracket Asm. Steering
40b	2	103-18	HHCS 3/8-24x1.25 Gr5 Zc	93	1	812-27	Lever Asm, Steering - LH
41	3	108-06	Lockwasher 3/8	94	1	312-26	Lever Asm, Steering - RH
42	1	125-56	Drive Belt	95	1	312-76	Cable Asm, Throttle - Conq.
43			See Section 3.0 Clutch System	98	1	32170-2075	Clamp
44	1	110-09	Key 1/4x1/4x3.0	99	1	49113-2155	Control Panel (incl. Ref 104 & 106)
45	2	810-01	Brake Disc #50-2x13T	100	1	127-11	Spring, Extension
46	4	110-14	Key 1/4x1/4x1.25	101	4	103-41	SHCS 3/8-16x1.25 Zc
47	s req	108-36	Washer 1.03x1.37x.06 Zinc	102	4	108-23	Nasher 3/8 SAE Gr8 - Dich.
48	2	120-13	Rivet 3/16x5/8 - Black	103	2	126-89	Cap, Vinyl - Black
49	1	21119-2120	igniter	104	2	32037-2209	Clamp
				105	1	301-86	Clip, Retainer
				106	2	32002-2188	Bolt

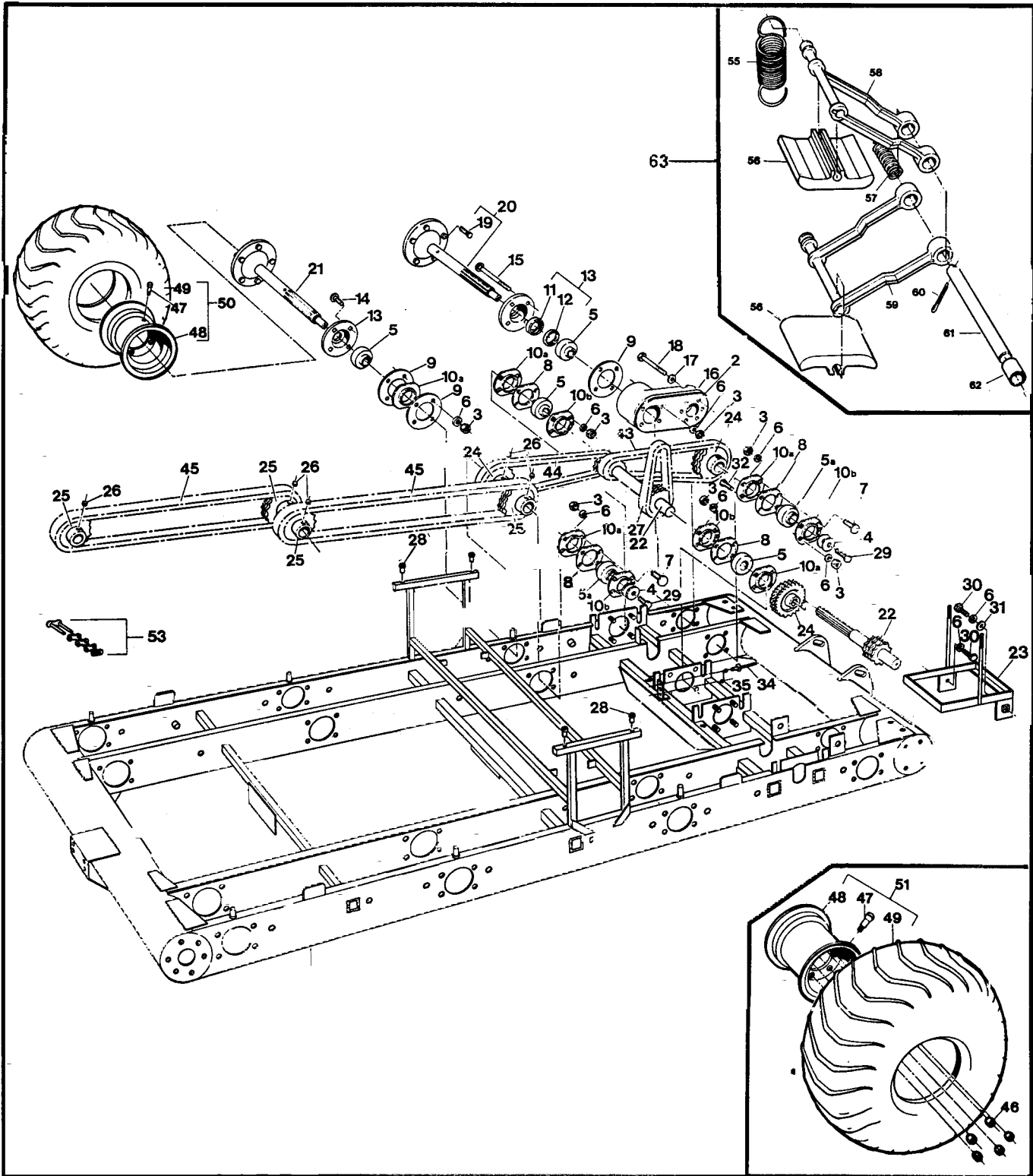


Conquest Parts Manual 5.0 Brake System - Hydraulic

Ref	Qty	Part No.	Description
1	1	166-01RM	Caliper, Brake - L w/o Pads (incl. Refs 5, 6, 7, 9 - 12)
2	1	166-02RM	Caliper, Brake - R w/o Pads (incl. Refs 5, 6, 7, 9 - 12)
3	2	161-01	O-Ring Kit, Caliper (incl. Refs 5 & 6)
4	2	160-40	SHCS M8x1,25x40 Zc
5	1		Seal, Rubber - 5mm (see Ref 3)
6	2		Seal, Piston - 41mm (see Ref 3)
7	2x2	168-05	Piston 41mm
8	1	170-02	Brake Pad Set (4) - Metallic
9	1x2	168-20	Plug, Rubber
10	1x2	168-03	Screw, Bleeding M10x1,0
11	1x2	109-03	Ball, Steel - 7/32 Dia.
12	2x2	160-41	SHCS M10x1,5x50mm Zc
13	2x2	168-06	Pin, Cotter 3,2x50mm
14	4	160-44	Bolt, Banjo-M10x1,0x21,0 Zc
15	8	160-01	Washer, Copper-1,5x10,0x14,0
16	1x2	163-01	Hose Asm,Hydraulic-300mm
17	1	165-06	Master Cylinder - left (incl. Refs 19 to 21, 24 to 28, 63 & 64)
18	1	165-05	Master Cylinder - right (incl. Refs 19 to 21, 24 to 28, 63 & 64)
19	2x2	160-42	FHMS M5x0,8x6mm
20	1x2	168-08	Cover
21	1x2	168-09	Cover, Rubber
22			See Section 4.0 Power Pack Assembly
24	1x2	162-02	Spring, Comp. 0.59x1.5
25	1x2		Seal, Primary, 19mm (See Ref. 30)
26	1x2	168-10	Piston 19mm dia.
27	1x2		Seal, Secondary, 19mm (See Ref. 30)
28	1x2		Boot, Rubber (See Ref. 30)
30	1x2	161-25	O-Ring Kit - Master Cylinder (incl. Refs 25, 27 & 28)
31	2	B12-13	Pin Asm, Plunger-Adjustable
36	2	B12-17	Collar
37	2	112-02	SHSS 10-24x1/4 Knurl Cup PT, PL
38		125-92	Adpt. & Mounting Kit - includes the following:
	1		Mounting Bracket
	1		Nut, #10-32
	1		Lockwasher, 3/16"
	1		Screw, #10-32x2"
	2		Nut, 1/4-20
	2		Lockwasher, 1/4"
	2		Screw, 1/4-20x5/8"
	1		Adaptor, 3" dia.
40	1	125-91	Blower Fan
41			See Section 2.0 Intake and Exhaust System
52	2	125-35	Clamp, Gear 3.50" HF-52
53	1	127-06	Hose, Intake - 3" dia. x 26"
57	1	126-36	Brake Cool Air Duct
58	2	108-56	Lockwasher 1/4 Ext. Tooth
59	2	103-96	PHMS, Phil 1/4-20x5/8 Zc
60		126-19	Fluid, Brake - Silicon Dot 5 - .35L
61	1	118-02	Terminal, Male #76-1251
62	1	118-03	Terminal, Female #76-1289
63	1x2	160-03	O-ring, Oil Window
64	1x2	168-14	Oil Window, Master Cylinder



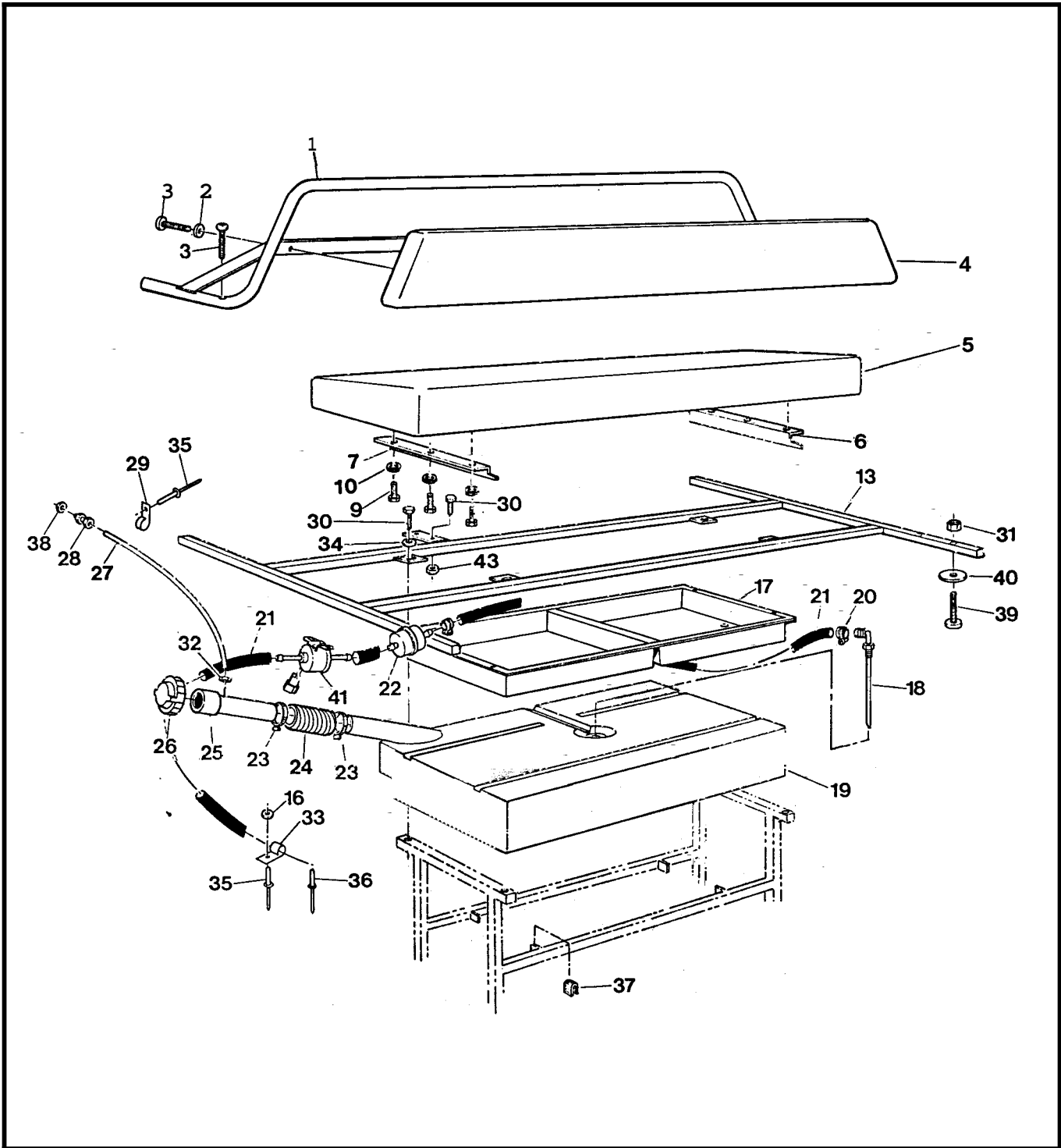
Ref	Qty	Part No.	Description	Ref	Qty	Part No.	Description
	1	801-98	Body & Hood, Upper - Conq, (spec. colour) (incl. Ref 5, 11, 12, 13, 14, 15)	41	32	120-28	Collar, Magna Grip
2	1	801-43	Body, Lower - Conq, (spec. colour)	43	32	120-27	Pin, Magna Grip
3	1	127-28	Plug, Nylon - Black	44	1	863-11	Skid Plate, 8x8 - Black
4	1	801-05	Bumper, Vinyl - 8x8	45	1	126-88	Bumper, Rubber
5	1	602-34	Hood Kit - Conq, (spec. colour) (incl. 7, 8, 9, 10, 81, 82, 83, 84)	46	1	100-61	Coupler Ball (c/w Bolt+Wshr)
7	1	602-38	Clip, Hood	47	4	103-61	HHCS 3/8-24x1.5 Gr5 Zc
8	23	120-13	Rivet 3116x518 - Black	48	4	117-24	Locknut, Nylon 3/8-24 Zc
8b	63	120-09	Rivet 3116x1 - Black	49	1	616-16	Hitch Assembly
9	2	126-10	Wing Stud	50	1		Vehicle ID Plate, Alum.
10	2	126-09	Grommet, Alum.	51	1	126-65	Plate, Shifting
11	1	602-24	Frame Asm, Hood	52	1	127-26	Plate, Steering Lever+Winch
12	2	120-15	Rivet 118x7116	53	1	126-67	Plate, Floor Pan
13	1	601-69	Spring Plate	54	1	126-68	Plate, Operation
14	1	126-11	Spring	55	1	126-69	Plate, Fuel
15	2	103-72	Screw, IHWH TIC Slot 1/4-20x3/4	56	1	126-70	Plate, Vehicle Capacity
16	1	602-29	Brace, Dash	57	1	126-72	Plate, Holding Brake
17	1	601-08	Trim, Vinyl - 84"	58	1		U.S. Plate, Non-U.S. Argos only
18	2	601-09	Trim, Vinyl - 28"	61	1	125-41	Handle, Dash (incl. 62)
19	4	112-04	HHCS 114-20x314 Gr2 Zc	62	2		Plug Cap, (avail. only with 61)
20	16	108-25	Washer .31x.75x.06 Zc	63	3	117-10	Locknut, Nylon #10-24 Zc
21	4	108-03	Lockwasher 114	64	1	108-53	Washer .81x1.5x.12 Zinc
22	4	801-41	Washer, Seat	65	3	103-25	PHMS #10-24x3/4 Zinc
23	4	126-79	Bumper, Plastic - Black	66	1	125-84	Grommet, Rubber
25	8	103-48	T/S Pan HD PHIL #10x5/8	67	2	127-01	Reflector, Red
26	22	120-24	Rivet, 3132x318 Alum. (all plates)	69	1	807-73	Screen, Intake - Conquest
27	4	117-44	T-Nut 1/4-20 Zinc	70	1	807-74	Screen, Exhaust - Conquest
28	2	127-27	Nameplate - Conquest	72	28	120-11	Rivet 5132 x 9116 - Black
28b	1	601-44	Nameplate - Argo	73	1	117-15	Nut, Fin Hex 3/8-16 Zinc
29	1	801-03	Seat, Rear LH - 8x8	74	1	602-27	Support, Adjustable
30	1	801-02	Seat, Rear RH - 8x8	75	1	103-89	C/Bolt 318-16x314 Gr2 Zinc
31	1	609-33	Firewall - Conquest	76	■	108-06	Lockwasher 318
32	1	803-02	Floor Pan - Front - (spec. colour)	78	1	516-19	Tube, Hitch
33	1	803-03	Floor Pan - Rear - (spec. colour)	79	1	104-13	Pin, Top Link
36	57	120-04	Washer .19x.50x.08 Zinc	80	■	104-11	Pin, Lynch
37	1	126-60	Vinyl Strip 1/2"x1/4"x37.5'	81	2	127-45A	Pin, Hinge
38	4	120-05	Washer .19x.50x.08 Zc	82	2	127-45B	Knuckle, Hinge
39	6	100-16	Clip, Hitch Pin 1.625 Zc	83	8	103-47	HHCS 10-24x318
40	2	100-18	Plug, Drain 5/8"x13/32"	84	8	108-59	Lockwasher #10 Int. Tooth Zinc



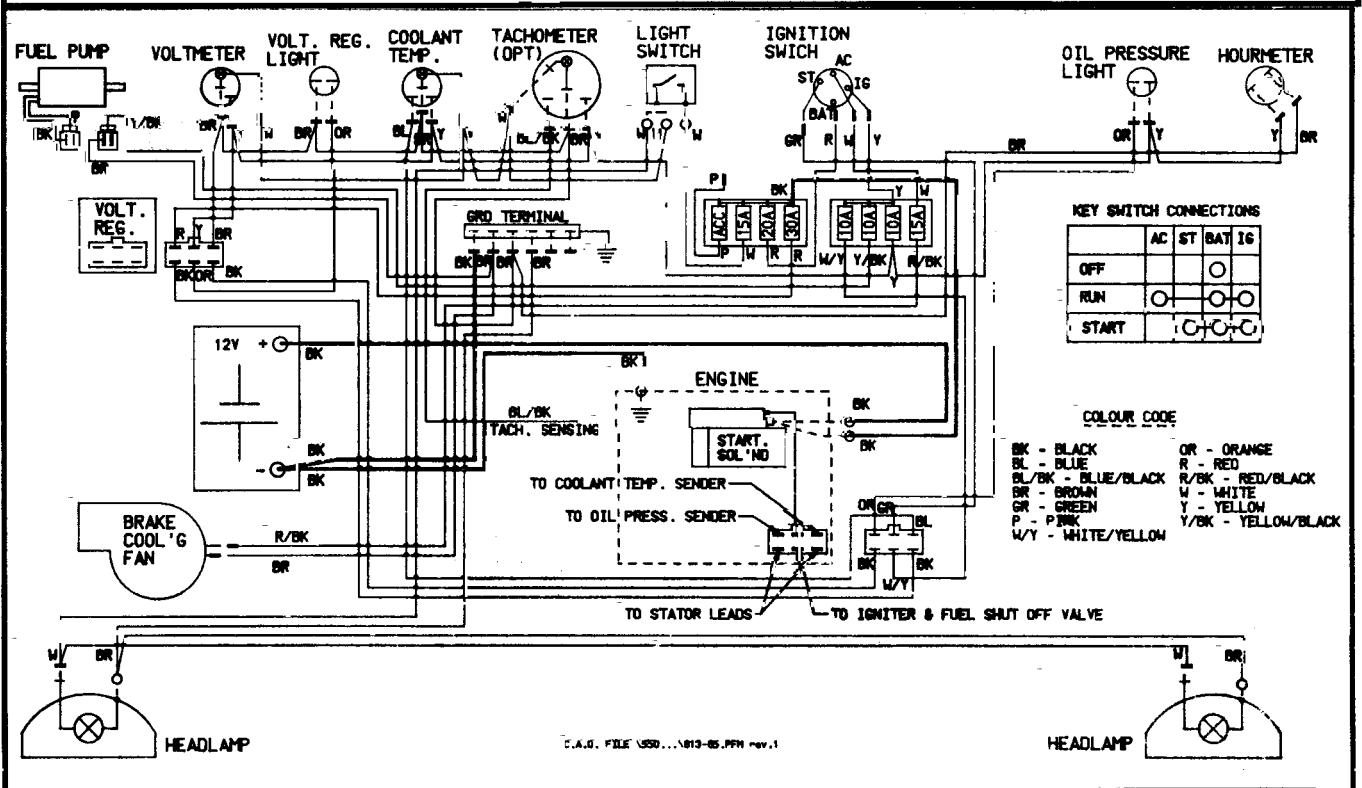
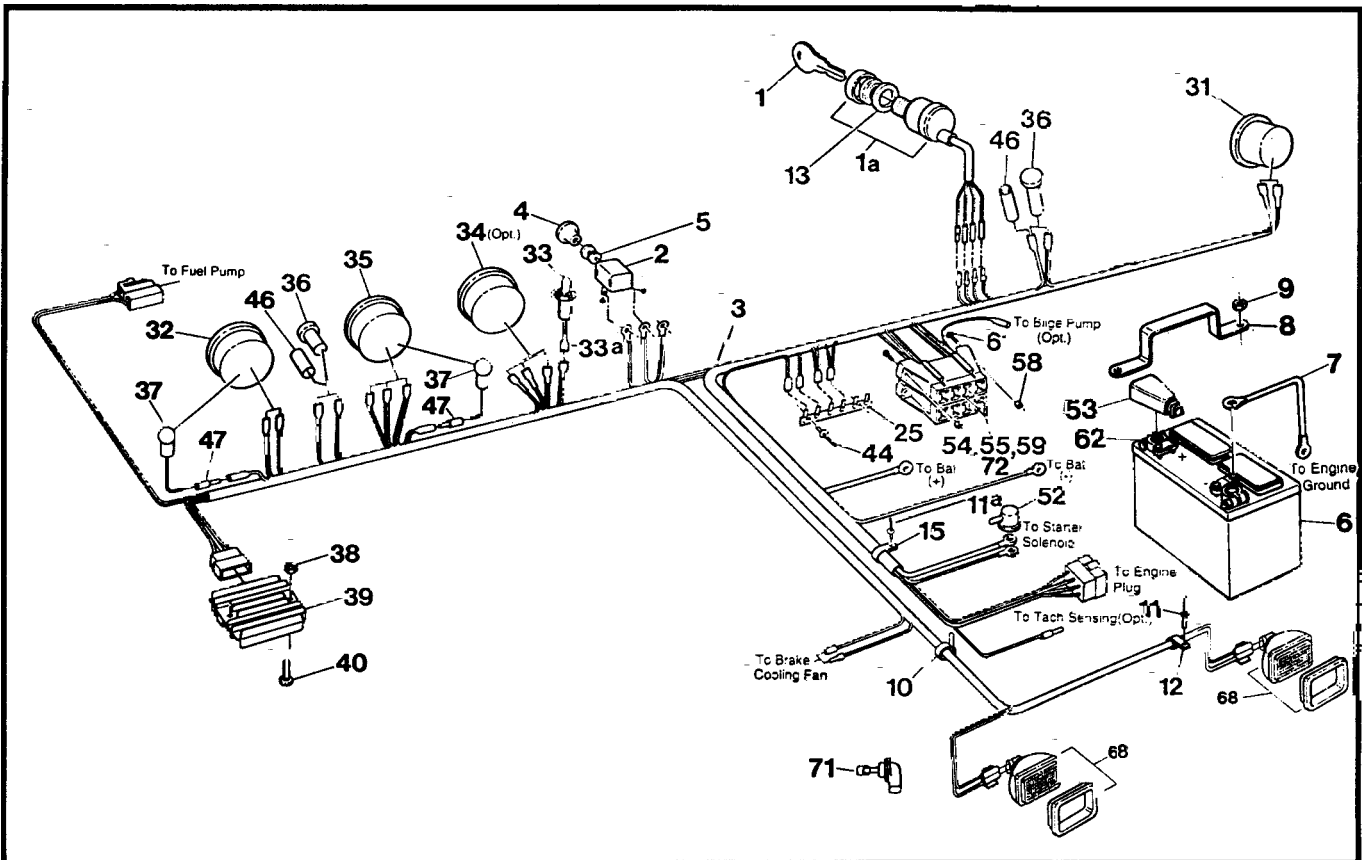
Conquest Parts Manuals 7.0 Frame and Drive System

Ref	Qty	Part No.	Description
1	1	804-90	Frame Asm - Conquest
2	4	605-69	Gasket - Bearing Extension
3	80	117-15	Nut, Fin Hex 3/8-16 Zinc
4	16	108-46	Washer .40x1.37x.12 Hi-Carbon
5	12	101-35	Bearing, Ball - 1.25
5a	8	101-41	Bearing, Ball - 1.0
6	82	108-06	Lockwasher 318
7	30	103-88	C/Bolt 318-16x1.0 Gr5 Zc
8	12	605-99	Gasket, Flange - Inner
9	12	605-89	Gasket, Flange - Outer
10a	16	605-63	Flange - 4 hole
10b	12	101-20	Flange, Greasable - 4 hole
11	8	102-14	Seal, Oil
12	8	102-15	Seal, Oil
13	8	605-97	Flange Asm, Outer (incl. Refs. 11 & 12)
14	16	112-39	C/Bolt 318-16x1.75 Gr5 Zc
15	16	103-67	C/Bolt 3/8-16 x 6 Gr2 Zc
16	4	810-36	Bearing Extension
17	24	108-34	Washer .47x.94x.06 Zinc
18	24	103-81	HHCS 7/16-20x2.5 Gr5 Zc
19	5x8	103-80	Stud, Wheel 7/16-20x1.125 #B271, (see Refs. 20, 21)
20	4	810-73	Axle Asm - Front/Rear (incl. Ref. 19)
21	4	810-75	Axle Asm - Mid (incl. Ref. 19)
22	2	810-45	Shaft, Idler - 11 T
23	1	604-84	Frame Asm, Battery
24	6	810-28	Sprocket, Double - 24T
25	8	810-29	Sprocket, Double - 19T
26	10	112-03	SHSS 5116-18x3/8 1/2 DOG, PL
27	2	803-17	Chain, Idler RC50-2x40P (incl. Ref. 53)
28	4	117-64	Insert, 1/4-20
29	8	112-31	HHCS 318-16x1.0 2B Gr8 Zc
30	2	112-14	HHCS 3/8-16x.75 Gr5 Zc
31	1	108-15	Washer .42x.81x.05 Zc
32	2	103-82	HHCS 3/8-16x1.5 Gr5 Zc
34	2	120-15	Rivet 1/8x7/16
35	1	126-11	Spring
43	2	603-17	Chain, RC50-2 x 42P-Front (incl. Ref. 53)
44	2	603-20	Chain, RC50-2 x 70P-Mid (incl. Ref. 53)
45	4	603-21	Chain, RC50-2 x 96P-Rear (incl. Ref. 53)
46	5x8	117-35	Nut, Wheel 7116-20 Zc
47	8	125-26	Valve, Tire (see Refs. 50 & 51)
48	8	125-13C	Rim, Charcoal (see Refs. 50 & 51)
49	8	126-96	Tire, Goodyear Runamuk 22x10-8, (see Refs. 50 & 51)
50	4	126-98C	Tire & Rim Asm - LH (incl. Refs 47, 48 & 49)
51	4	126-97C	Tire & Rim Asm - RH (incl. Refs. 47, 48 & 49)
53	1x10	100-96	Con. Link, RC50-2 H.D.
55	1x6	125-61	Spring
56	2x6	603-61	Slider Block
57	1x6	125-78	Spring
58	1x6	603-77	Arm, Chain Tensioner - Upper
59	1x6	603-76	Arm, Chain Tensioner - Lower
60	1x6	100-01	Pin, Cotter 118x1.50 Zc
61	1x6	603-78	Pin, Pivot
62	1x6	603-66	Spacer, .500 ID x .625 LG
63	6	647-10	Chain Take-up Replacement Kit (incl. Refs. 55 thru 62 as shown)

8.0 Fuel System & Seat Assembly Conquest Parts Manual



Ref	Qty	Part No.	Description
1	1	803-50	Handrail Assembly
2	4	108-03	Lockwasher 1/4
3	6	112-41	PHMS, PHIL 1/4-20x1.25 Zinc
4	1	608-39	Back Pad Asm
5	1	608-43	Seat, Bench
6	1	608-30	Angle, Left
7	1	608-31	Angle, Right
9	6	112-04	HHCS 1/4-20x3/4 Gr2 Zc
10	6	108-03	Lockwasher 1/4
13	1	804-17	Frame Asm, Seat
16	2	120-04	Washer .19x.50x.08 Zinc
17	1	608-32	Tool Box
18	1	608-28	Pickup Assembly, Fuel (See Ref. 19)
19	1	608-24	Tank, Fuel - 32 litre (incl. Ref. 18)
20	4	100-70	Clamp, Gear 1/2" HF4
21	1	608-42	Fuel Hose - 110"
22	1	125-64	Fuel Filter
23	2	100-12	Clamp, Gear 2.25" HF-36
24	1	125-94	Hose, Filler
25	1	126-47	Neck Asm, Fuel
26	1	126-46	Cap, Fuel
27	1	127-21	Hose, Vent - 86"
28	1	126-50	Male Connector, 1/4"
29	5	126-94	Clamp, Nylon Wire - 1/4"ID
30	6	112-04	HHCS 1/4-20x3/4 Gr2 Zc
31	12	117-10	Locknut, Nylon #10-24 Zc
32	1	126-62	Clamp, Gear 1/4" 2-Ear
33	5	126-93	Clamp, Nylon Wire - 1/2"ID
34	4	108-08	Washer .28x.62x.04 Zinc
35	7	120-09	Rivet 3/16x1 - Black
36	2	120-13	Rivet 3/16x5/8 - Black
37	4	702-06	Foam Cushion
38	1	117-54	Nut, Locking PAL 1/2-20 Zc
39	12	112-07	RHMS 10-24x1.25 Zc
40	12	108-42	Washer .21x1.0x.06 Zinc
41	1	49040-2065	Pump, Fuel
43	2	117-27	Locknut, Nylon 1/4-20 Zc

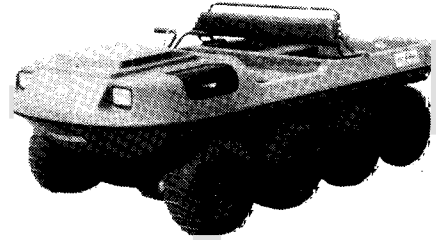


Ref	Qty	Part No.	Description
1	1	100-39A-1	Key
1a	1	127-17	Switch, Ignition - Conquest (incl. Ref. 1)
2	1	100-62	Switch, Light
3	1	613-61	Wire Harness - Conquest (incl. Fuse Holders)
4	1	126-76	Knob, Light
5	1	108-55	Lockwasher 7/16 External Tooth
6	1	127-54	Battery, Exide 45-50
7	1	613-14	Wire, Ground - 14"
8	1	604-52	Bracket, Battery Retaining
9	2	117-21	Locknut, Nylon 5/16-18 Zc
10	8	100-64	Tie Wrap, 5.5" - Black
11	10	120-09	Rivet 3/16x1 - Black
11a	6	120-13	Rivet 3/16x5/8 - Black
12	16	126-93	Clamp, Nylon Wire-1/2" ID
13	1	108-57	Lockwasher 3/4 Internal Tooth
15	5	127-24	Clamp, Nylon - 1" ID
25	1	613-37	Terminal Strip, Ground
31	1	632-15	Hourmeter
32	1	633-10	Voltmeter
33	1	634-09	Light Kit
33a	1	118-05	Terminal, 1/4" Male Blade
34	1	634-04	Tachometer Kit (opt.)
35	1	634-22	Gauge, Water Temperature
36	2	634-08	Light, Indicator
37	2	634-10	Light Kit, #06215-00
38	2	117-27	Locknut, Nylon 1/4-20 Zc
39	1	21066-2070	Regulator, Voltage
40	2	103-63	PHMS, PHIL 1/4-20x1.0 Zc
44	2	120-15	Rivet 1/8x7/16
46	2	118-48	Heat Shrink, 2 x 1/2
47	2	118-02	Terminal, Male #76-1251
52	1	613-46	Terminal Insulator (2 ga.)
53	1	127-55	Cap, Battery Terminal
54	1	118-53	Fuse, 20A 2 prong (AT020)
55	2	118-49	Fuse, 15A 2 prong (AT015)
58	4	117-10	Locknut, Nylon #10-24 Zc
59	3	118-52	Fuse, 10A 2 prong (AT010)
61	4	103-25	PHMS #10-24x3/4 Zc
62	2	127-56	Terminal, Battery Post
68	2	613-62	Headlamp Asm
71	2	127-46	Bulb, Headlight - Halogen
72	1	118-51	Fuse, 30A 2 prong (AT030)

ARGO Products Manufactured by:

Ontario Drive & Gear Limited
P.O. Box 280, Bleams Road
New Hamburg, Ontario
Canada NOB 2G0
Phone: (519) 662-2840
Fax: (519) 662-2421

ODG *Dedicated to quality and performance*



ARGO

CONQUEST PARTS MANUAL

**Model Nos. V894-37 &
V894-38**

From Serial #CB14963

Foreword

ODG has prepared this parts manual for the CONQUEST model to assist both qualified mechanics and vehicle owners in ordering correct, quality replacement ARGO parts.

Proper and regular service, and replacing old, worn or broken parts with the correct ARGO replacement parts, are both essential to prolonging the life of the ARGO. Please refer to this parts manual before ordering any replacement part.

All information contained in this CONQUEST Parts Manual is based on the latest product specification available at time of printing. If your CONQUEST differs from the specifications contained in this manual, contact Ontario Drive & Gear Limited for information.

ODG reserves the right to alter specifications on the CONQUEST model at any time, without obligation or prior notification.

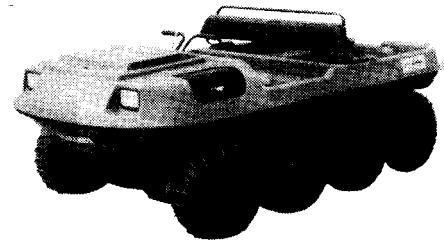
Reproduction of this CONQUEST Parts Manual, in whole or in part, is prohibited without prior written permission from Ontario Drive & Gear Limited.

Model Identification

CONQUEST - Model Nos. V894-37 and V894-38

Explanation of Parts Manual Format

- | | |
|--------------------|--|
| Ref | - Reference number between assembly diagram and component parts list |
| Part No. | - Argo replacement part number for identification and re-ordering |
| Description | - Part description for identification and re-ordering |
| Qty | - Indicates the quantity of a part used in an Assembly |



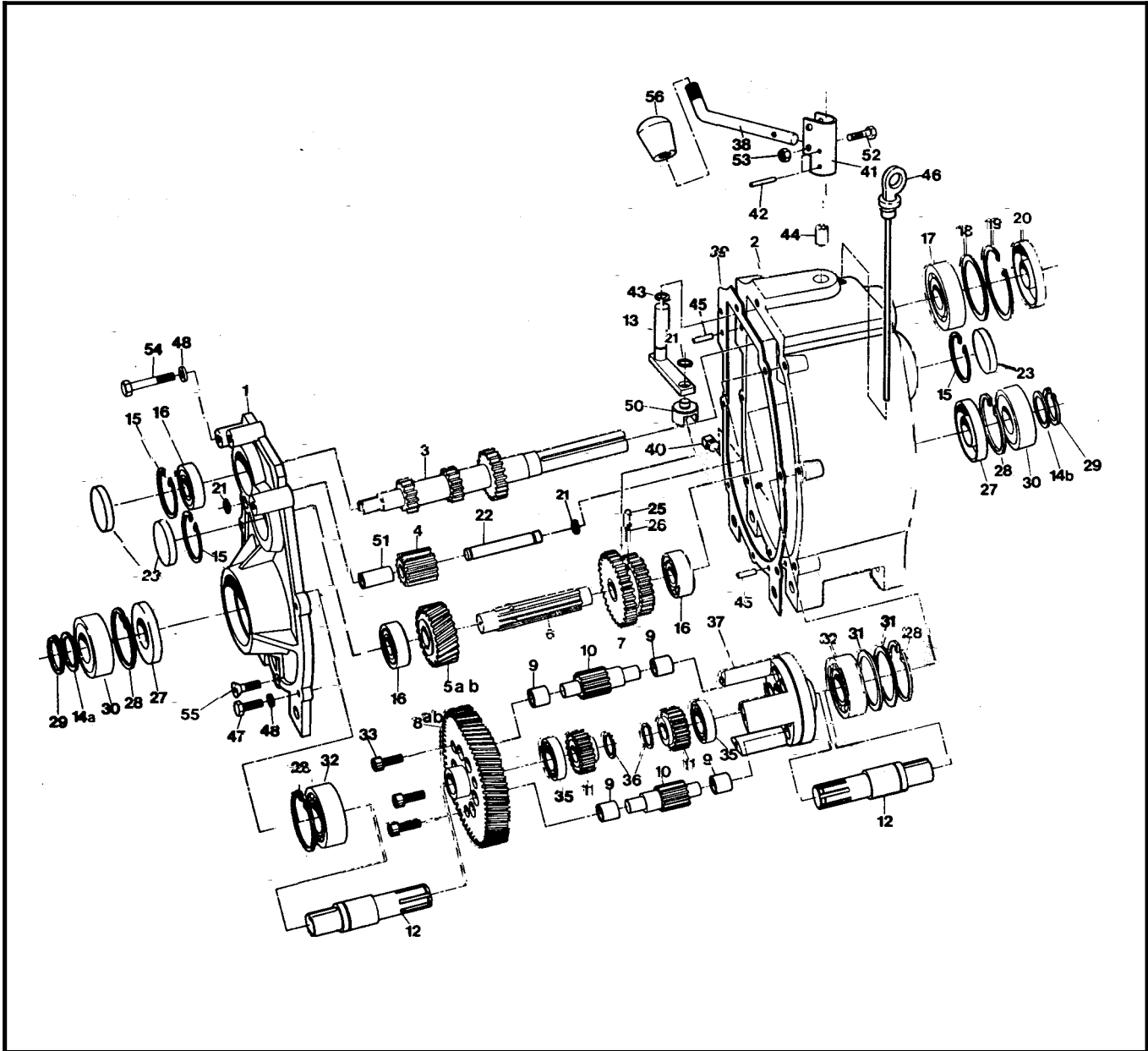
Using the Parts Manual

Find the major vehicle assembly in the Table of Contents on this page, and turn to that section.

2. Locate the part in the illustration that you wish to order.
3. Refer to the parts list in that section
4. Find the correct part number (Part No.), part description (Description) and correct quantity (Qty).
5. Use *only* this information to order ARGO replacement parts. **DO NOT** attempt to order a replacement part by reference number or page number.

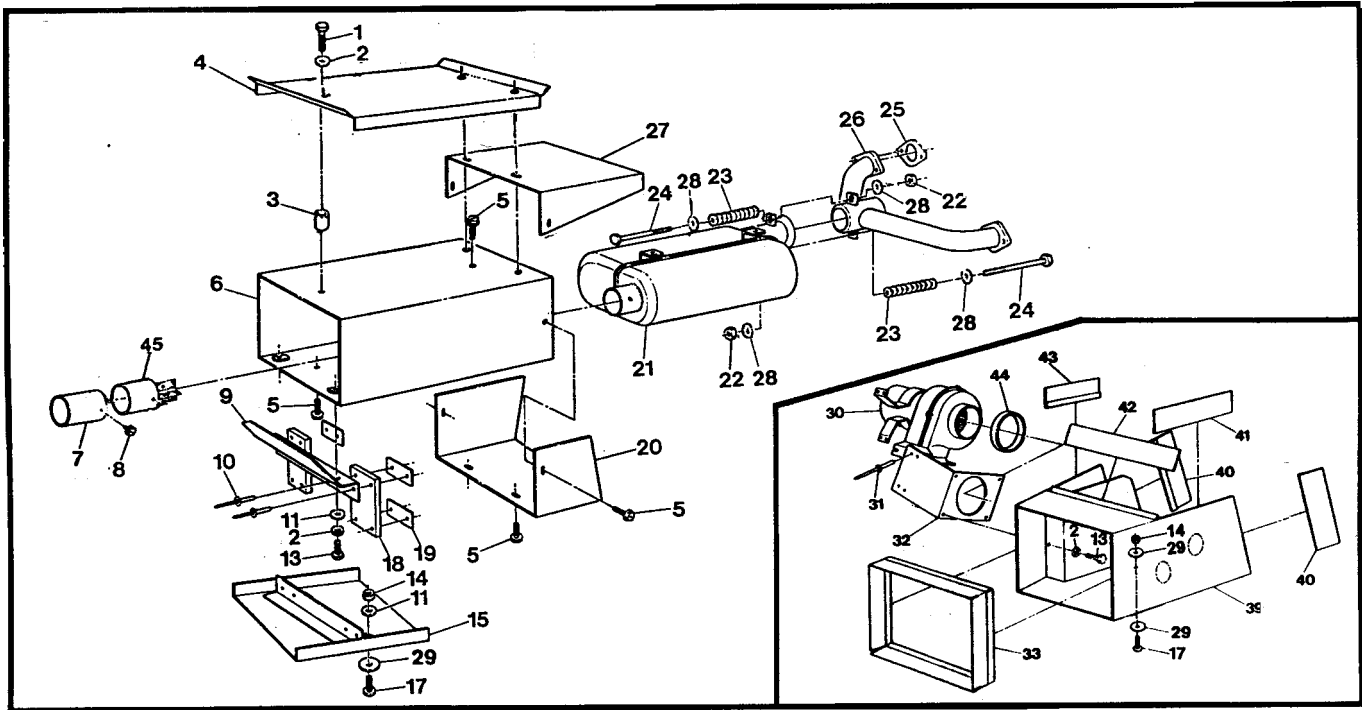
Table of Contents

Foreword	i
Model Identification	i
Using the Parts Manual	ii
1.0 Transmission	1
2.0 Intake and Exhaust System	3
3.0 Clutch System	3
4.0 Power Pack Assembly	5
5.0 Brake System - Hydraulic	7
6.0 Vehicle Body & Firewall	9
7.0 Frame & Drive System	11
8.0 Fuel System & Seat Assembly	13
9.0 Electrical System	15

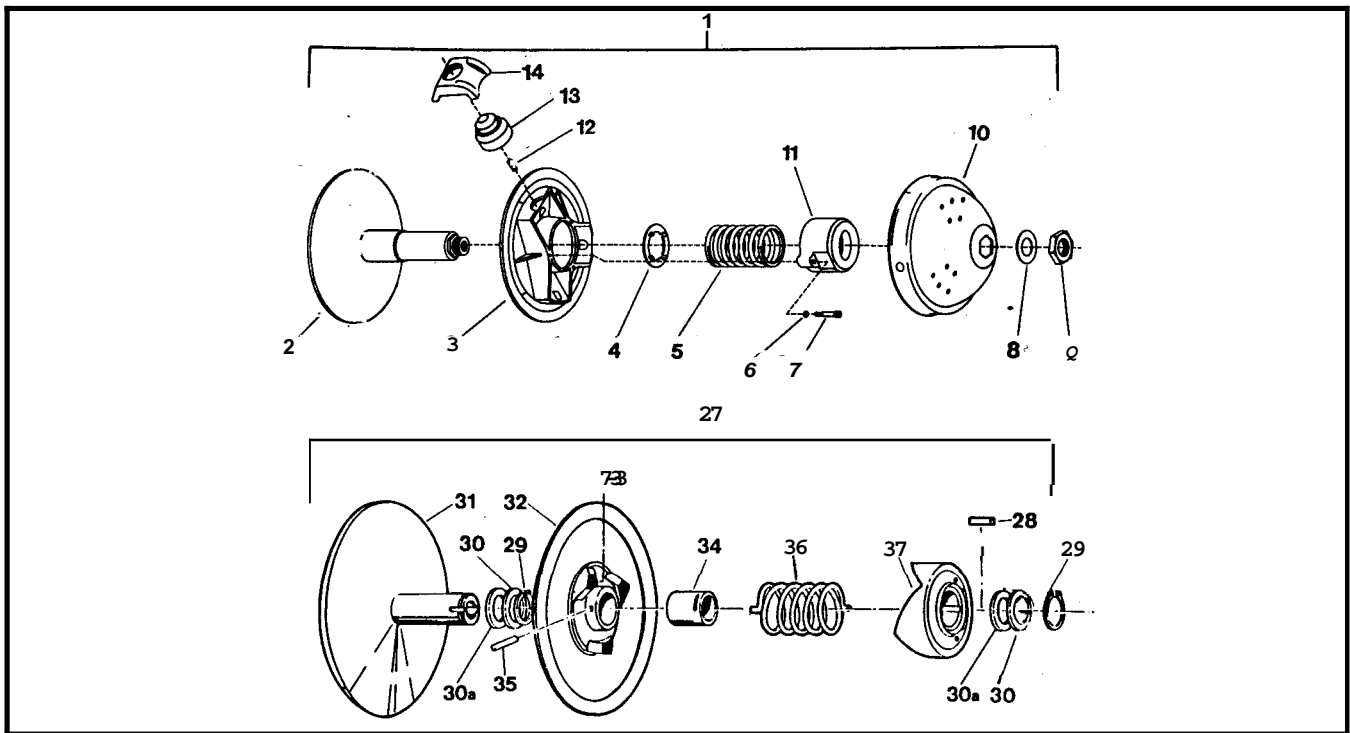


Ref	Qty	Part No.	Description
		610-17MU	Transmission Asm - MU, does not include Refs 38, 52, 53 & 56, uses Refs 5a & 8a
		610-17GU	Transmission Asm - GU, does not include Refs 38, 52, 53 & 56, uses Refs 5b & 8b
1	1	34-68	Cover, Transmission
2	1	34-99	Housing, Transmission
3	1	34-21	Shaft, Input - 13/21T
4	1	34-16A	Gear, Idler - 13T (incl. Ref 51)
5a	1	34-95	Gear, Helical - 24T - M
5b	1	34-97	Gear, Helical - 21T - G
6	1	34-94	Shaft, Spline
7	1	34-91	Gear, Double - 26/33T
8a	1	34-22	Gear Plate - 73T - M
8b	1	34-45	Gear Plate - 76T - G
9	12	105-03	Bushing, Oilite - 1/2 x 3/4
10	6	34-13	Gear, Planet - 12T
11	2	34-14	Gear, Sun - 21T
12	2	34-81	Shaft, Output
13	1	34-65	Shifter Asm.
14a	1	114-04	Washer, Shim .040 Thk
14b	1	114-05	Washer, Shim .020 Thk
15	3	106-01	Retaining Ring
16	3	101-01	Bearing, Ball 6204Z-C3
17	1	101-16	Bearing, Ball 6206-C3
18	as req.	114-02	Washer, Shim 2.06x2.42x.02
19	1	106-05	Retaining Ring
20	1	102-05	Seal, Oil WBS 30x62x10
21	3	107-05	Retaining Ring
22	1	34-11	Pin, Dowel 1/2 x 3.50
23	3	31-07	Plug Plate
25	1	109-05	Ball, Steel 6mm 62-67 Rc
26	1	34-32	Spring, Compression - 7/32x.50
27	2	102-03	Seal, Oil WBS 30x72x10
28	4	106-03	Retaining Ring
29	2	107-02	Retaining Ring
30	2	101-05	Bearing, Ball 6306-2NSE C3
31	2	114-01	Washer, Shim 2.25x2.81x.02
32	2	101-03	Bearing, Ball 6207-C3
33	3	103-04	SHCS 5/16-18x1.0 Bare
35	2	101-15	Bearing, Ball 6005-C3
36	2	107-04	Retaining Ring
37	1	34-08	Cage
38	1	610-77	Lever, Shift
39	1	34-47	Gasket, Cover - 1/64" Thk
40	1	103-02	Plug, Magnetic 3/8-18 NPT
41	1	34-86	Holder, Shift Lever
42	2	111-01	Pin, Spring 5/32x1.0
43	1	113-01	O-Ring
44	1	105-02	Bushing, Oilite - 1/2 x 1.0
45	2	104-03	Pin, Dowel 1/4 x 7/8
46	1	34-77	Dipstick, with breather
47	4	103-06	HHCS 5/16-18x1.0 GR5 Zc
48	7	108-05	Lockwasher 5/16
50	1	34-63	Shift Yoke
51	1	105-05	Bushing, Oilite - 1/2 x 1.5 (in Ref. 4)
52	1	103-97	HHCS 1/4-20x1.25 GR5 Zc
53	1	117-27	Locknut, Nylon 1/4-20 Zc
54			See Section 4.0 Power Pack Assembly
55	1	103-95	FHSC 5/16-18x1.0 GR8 Zc
56	1	126-38	Knob, Shift

2.0 Intake and Exhaust System Conquest Parts Manual



3.0 Clutch System

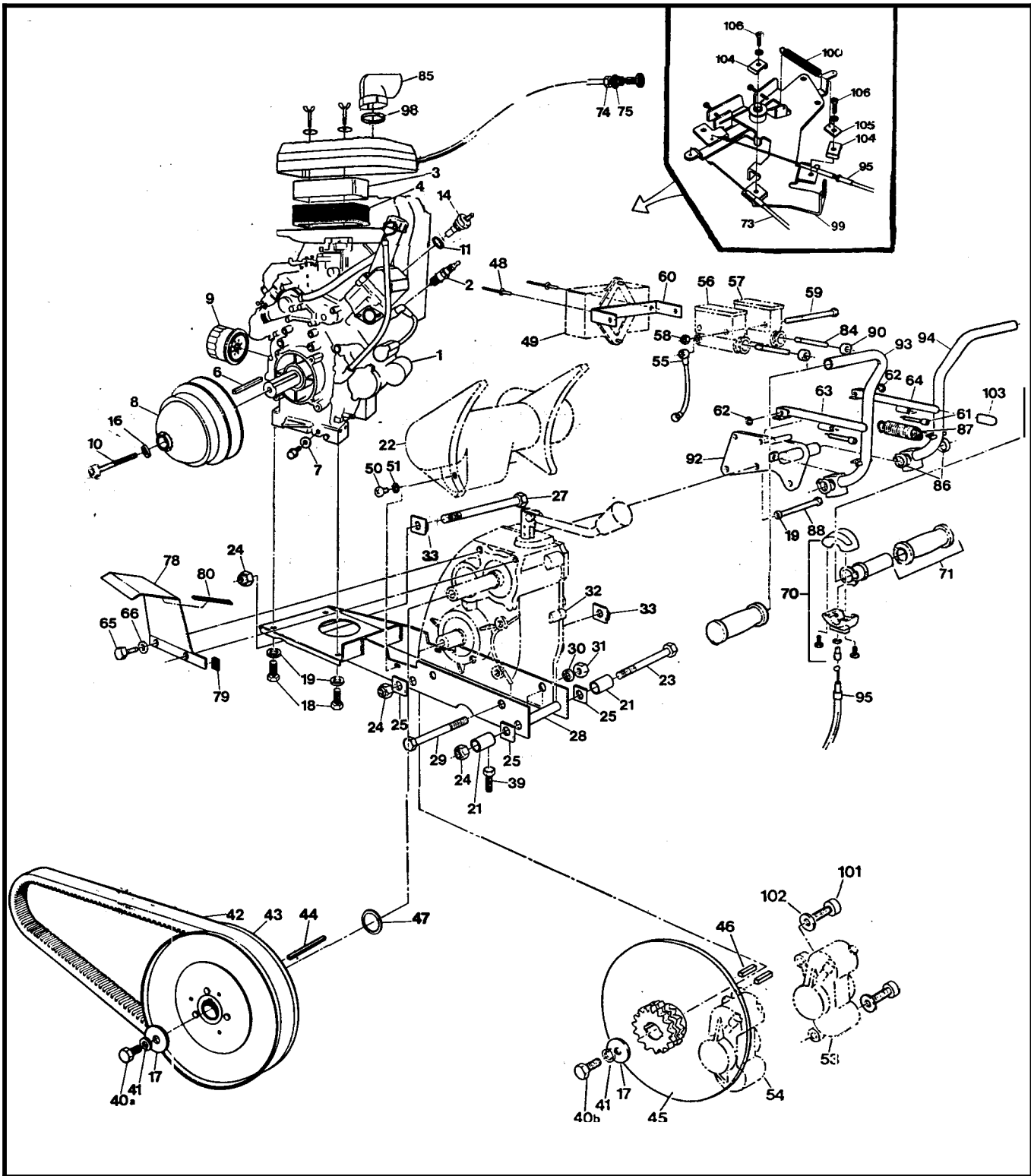


Conquest Parts Manual 2.0 Intake and Exhaust System

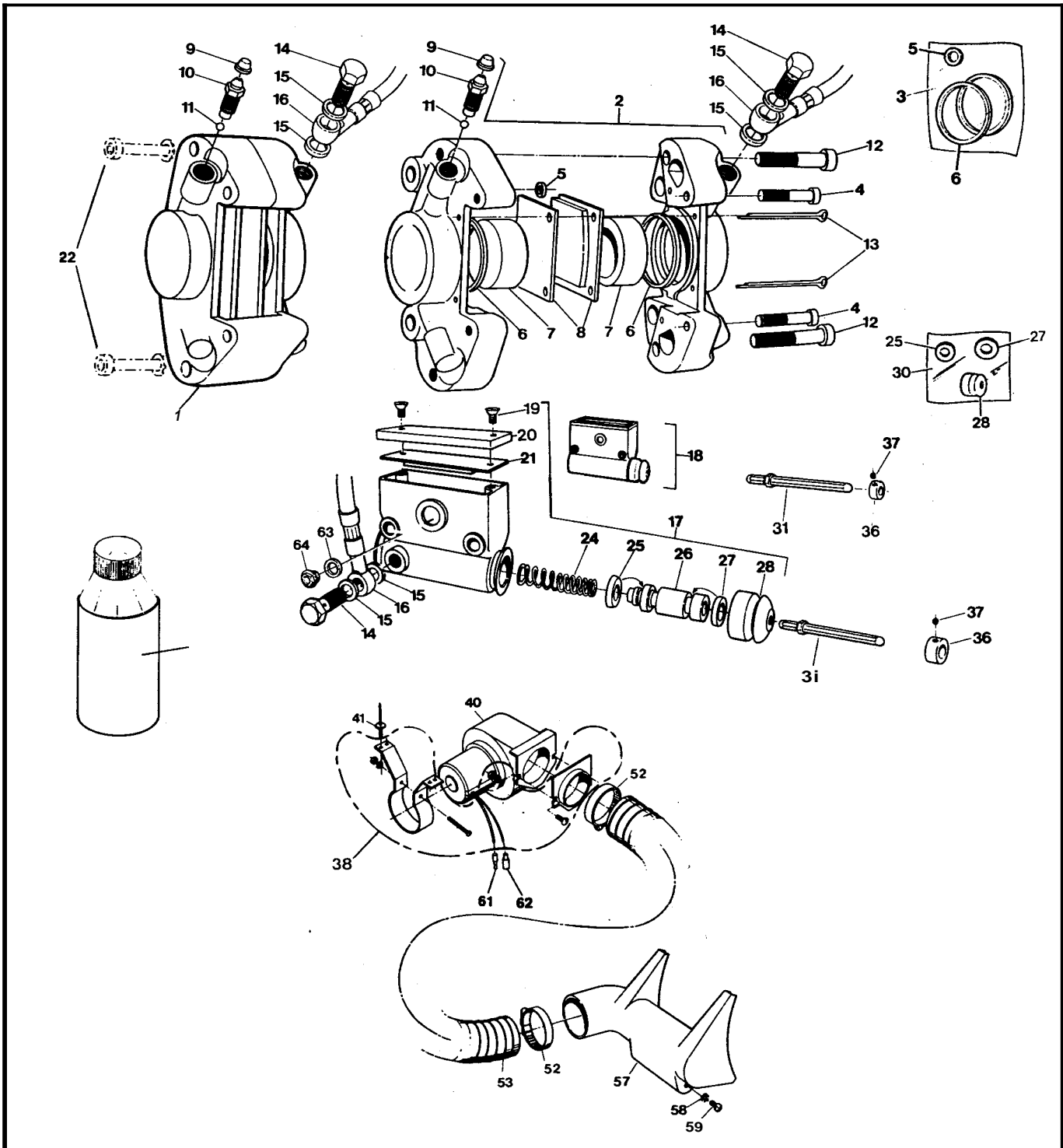
Ref	Qty	Part No.	Description	Ref	Qty	Part No.	Description
1	3	103-97	HHCS 1/4-20x1.25 Gr5 Zc	22	2	117-25	Nut, Conelock 5/16-18
2	9	108-03	Lockwasher 1/4	23	2	100-10	Spring, Compression
3	3	807-71	Spacer	24	2	112-18	SHCS 5/16-18x2.25
4	1	807-72	Shield, Heat	25	2	11060-2079	Gasket, Muffler
5	7	112-19	Screw IHWH T/C 1/4-20x1/2	26	1	807-66	ManifoldAsm
6	1	807-41	Shield Asm, Muffler	27	1	807-38	Cover, Manifold
7	1	807-75	Pipe, Muffler Outlet	28	4	108-24	Washer .34x.70x.06 Zc
8	1	112-43	Screw, IHWH #8x3/8	29	8	108-01	Washer, Fender 1/4 BSx1.25OD
9	1	807-43	Support, Upper	30			See Section 5.0 Brake System
10	8	120-09	Rivet 3/16x1 - Black	31	4	120-13	Rivet 3/16x5/8 - Black
11	4	108-08	Washer .28x.62x.04 Zinc	32	1	807-68	BracketAsm, Fan
13	6	112-04	HHCS 1/4-20x3/4 Gr2 Zc	33	1	603-87	Seal, Radiator
14	5	117-27	Locknut, Nylon 1/4-20 Zc	39	1	807-35	Duct Asm, Intake
15	1	807-49	Support, Lower	40	2	603-88C	Seal 9.62"
17	5	103-63	PHMS, PHIL 1/4-20x1.0 ZC	41	1	603-88B	Seal 8.49"
18	2	126-07	Support, Flex	42	1	603-88D	Seal 11.66"
19	4	807-69	Washer, Special	43	1	603-88A	Seal 7.09"
20	1	807-70	Cover, Lower	44	1	602-33	Vinyl Trim - 9.8'
21	1	807-42	Muffler Asm - Conquest	45	1	807-67	Spark Arrester

3.0 Clutch System

Ref	Qty	Part No.	Description
1	1	127-71	Clutch, Driver - Keyed (incl. Refs 2 to 14)
2	1	0405-0020	Pulley, Half - Fixed
3	1	0410-0006	Pulley, Half - Sliding
4	1	V09	Plate, Spring Guide
5	1	V10-48-105-17	Spring
6	3	420-2453-700	Lockwasher
7	3	222-9640-66	SHCS
8	1	0080-0153	Washer, Zc
9	1	0080-0100	Nut
10	1	0115-0003(A)	Cap
11	1	0440-0001	Cover, Spring
12	3	C24-L1	Spring, Anti-noise
13	3	C13-266T	Weight, 266g
14	3	0130-3002	Block, Red
27	1	126-24	Clutch, Driven - Model "B" (incl. Refs 28 to 37)
28	1	ASK-5	Key 1/4x1/4x5/8
29	2	ASR-6	Retaining Ring
30	as req	ASA-1-S	Spacer .025" Thick
30a	as req	ASA-1	Spacer .050" Thick
31	1	AFK25.4-250OD01	Pulley, Half - Fixed
32	1	AMC-2-250OD01	Pulley, Half - Sliding incl. Refs. 33, 34 & 35
33	3	ANS-2-T	Shoe, Cam
34	1	AMB-2	Bushing, Bronze
35	1	111-01	Pin, Spring 5/32x1.0
36	1	ACS-3-188	Spring, Blue
37	1	AFC-4-C3D4	Cam

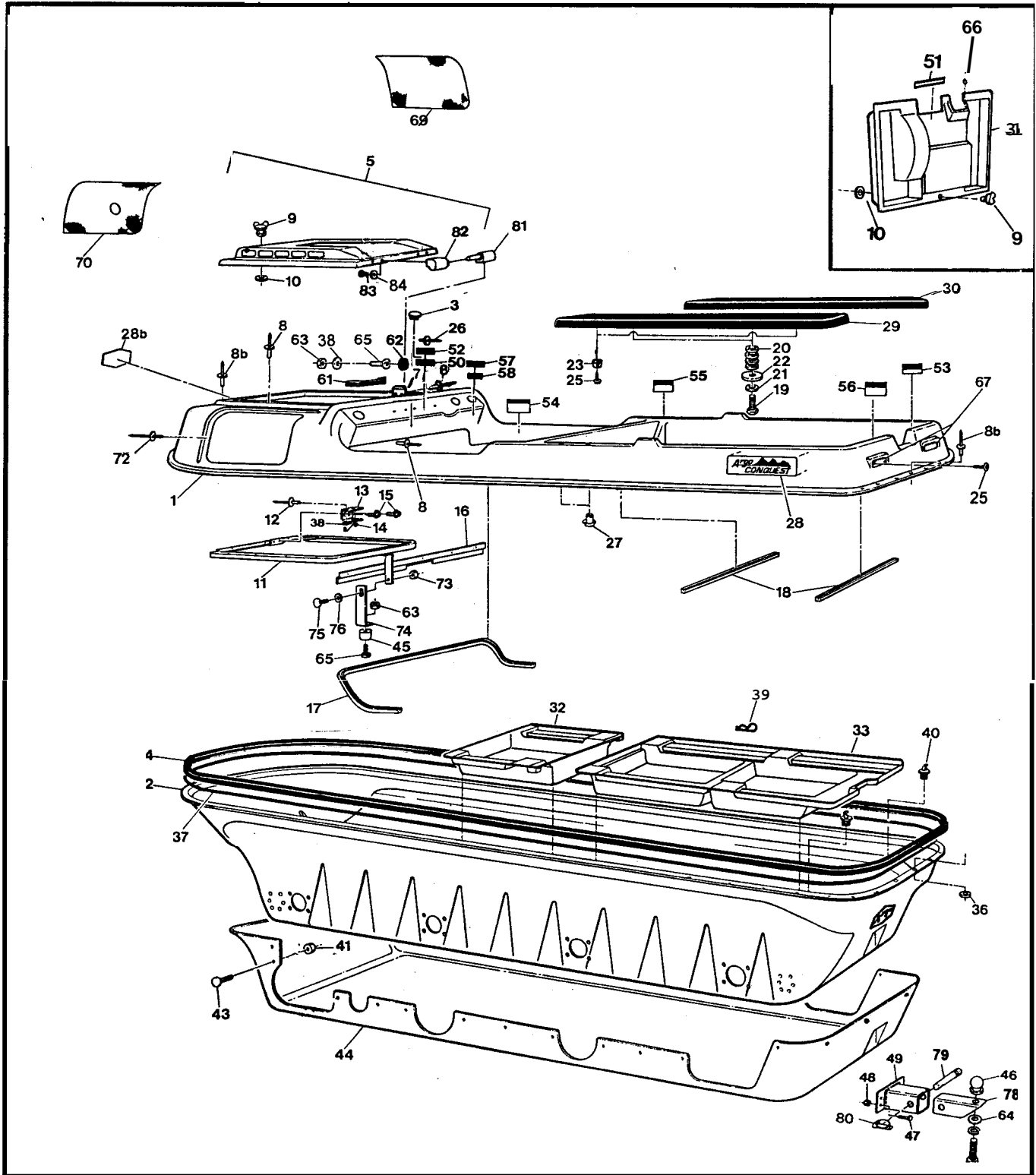


Ref	Qty	Part No.	Description	Ref	Qty	Part No.	Description
1	1	FD620D-GS12	Engine - Kawasaki, (incl. Refs. 2, 3, 4, 7, 9, 11, 14, 49, 85)	50 to 57			See Section 5.0 Brake System - Hydraulic
2	2	92070-2072	Sparkplug, BMR4A	58	2	117-27	Locknut, Nylon 1/4-20 Zc
3	1	11013-2114	Element, Air Filter - Foam	59	2	103-66	HHCS 1/4-20x4.0 Gr5 Zc
4	1	11013-2139	Element, Air Filter - Paper	60	1	610-75	Bracket, Igniter
6	1	110-13	Key 1/4x1/4x2.25	61	2	103-69	SHCS 1/4-20x1.5 Zc
7	1	11009-2566	Gasket, Drain Plug	62	2	113-02	O-Ring
8			See Section 3.0 Clutch System	63	1	810-20	Lever Asm, Brake - LH
9	1	127-68	Filter, Oil	64	1	810-21	Lever Asm, Brake - RH
10	1	112-15	SHCS M10x1.5x90mm	65	2	103-17	HHCS 3/8-16x1.0 Gr5 Zc
11	1	11009-2765	Gasket	66	2	108-26	Washer 3/8 Zc
14	1	21176-2098	Sensor	70	1	100-57	Throttle Twist Grip
16	1	108-54	Lockwasher, Hi-Collar - M10	71	2	127-35	Grip, Molded
17	3	108-18	Washer .40x1.37x.12 Zc	73	1	812-29	Cable Asm, Choke - Conq.
18	4	112-30	SHCS M8x1.25x20mm Zc	74	1	117-68	Nut, Jam 3/8-24 UNF Zinc
19	7	108-05	Lockwasher 5/16 Zc	75	1	108-32	Lockwasher 3/8 Int. Tooth
21	2	811-14	Spacer	78	1	603-29	Guard, Belt Protect
22			See Section 5.0 Brake System - Hydraulic	79	1	601-92	Vinyl Trim - 1.5"
23	1	112-57	HHCS 5/8-11x10.0 Gr5 Zc	80	1	601-93	Vinyl Trim - 4.25"
24	3	117-09	Locknut, Nylon 5/8-11 Zc	84			See Section 5.0 Brake System - Hydraulic
25	3	811-09	Washer, Square - .64 ID	85	1	16060-2185	Intake Pipe
27	2	112-58	HHCS 5/8-11x7.5 Gr5 Zc	86	4	106-07	Retaining Ring
28	1	811-30	Frame, Powerpack - Conq.	87	2	127-33	Spring, Extension
29	2	103-20	HHCS 1/2-13x6.5 Gr5 Zc	88	3	103-55	HHCS 5/16-18x2.75 Gr5 Zc
30	2	108-07	Lockwasher 1/2	90			See Section 5.0 Brake System - Hydraulic
31	2	117-06	Nut, Fin Hex 1/2-13 Zc	92	1	812-01	Bracket Asm, Steering
32			See Section 1.0 Transmission	93	1	812-27	Lever Asm, Steering - LH
33	2	811-15	Washer, Square Lock .64 ID	94	1	812-26	Lever Asm, Steering - RH
39	2	103-53	HHCS 3/8-16x3.0 Gr5 Full Thread	95	1	612-76	Cable Asm, Throttle - Conq.
40a	1	103-34	HHCS 3/8-16x1.25 Gr5 Zc	98	1	92170-2075	Clamp
40b	2	103-18	HHCS 3/8-24x1.25 Gr5 Zc	99	1	49113-2165	Control Panel (incl. Ref 104 & 106)
41	3	108-06	Lockwasher 3/8 Split Ring Zc	100	1	127-11	Spring, Extension
42	1	125-56	Drive Belt	101	4	103-41	SHCS 3/8-16x1.25 Zc
43			See Section 3.0 Clutch System	102	4	108-23	Washer 3/8 SAE Gr8 - Dich.
44	1	110-09	Key 1/4x1/4x3.0	103	2	126-89	Cap, Vinyl - Black
45	2	810-01	Brake Disc #50-2x13T	104	2	92037-2209	Clamp
46	4	110-14	Key 1/4x1/4x1.25	105	1	601-86	Clip, Retainer
47	as req	108-36	Washer 1.03x1.37x.06 Zinc	106	2	92002-2188	Bolt
48	2	120-13	Rivet 3/16x5/8 - Black				
49	1	21119-2120	Igniter				



Conquest Parts Manual 5.0 Brake System - Hydraulic

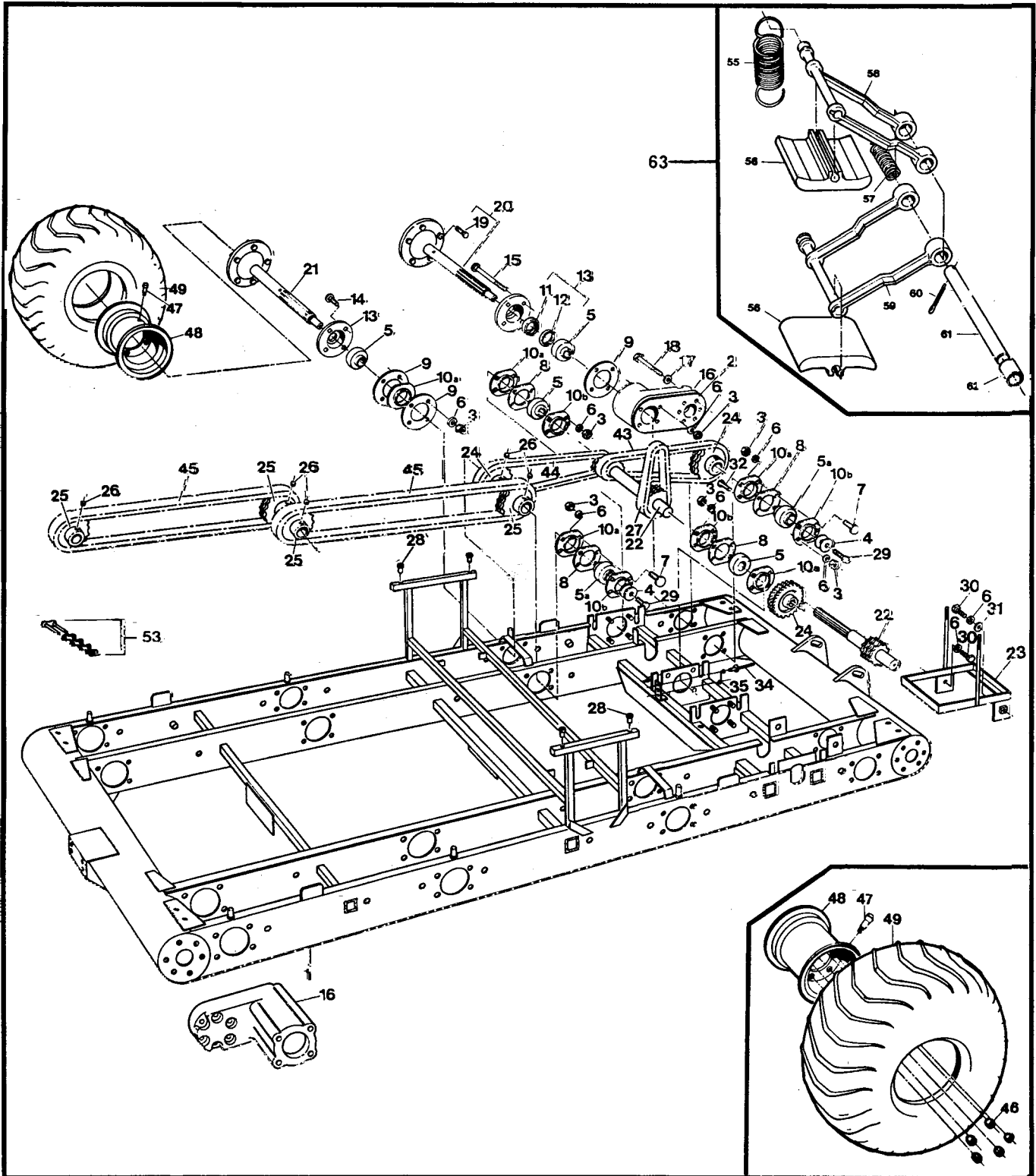
Ref	Qty	Part No.	Description
1	1	166-01RM	Caliper, Brake - L w/o Pads (incl. Refs 5, 6, 7, 9 - 12)
2	1	166-02RM	Caliper, Brake - R w/o Pads (incl. Refs 5, 6, 7, 9 - 12)
3	2	161-01	O-Ring Kit, Caliper (incl. Refs 5 & 6)
4	2	160-40	SHCS M8x1,25x40 Zc
5	1		Seal, Rubber - 5mm (see Ref 3)
6	2		Seal, Piston - 41mm (see Ref 3)
7	2x2	168-05	Piston 41mm
8	1	170-02	Brake Pad Set (4) - Metallic (Asbestos-free)
9	1x2	168-20	Plug, Rubber
10	1x2	168-03	Screw, Bleeding M10x1,0
11	1x2	109-03	Ball, Steel - 7/32 Dia.
12	2x2	160-41	SHCS M10x1,5x50mm Zc
13	2x2	168-06	Pin, Cotter 3,2x50mm
14	4	160-44	Bolt, Banjo-M10x1,0x21,0 Zc
15	8	160-01	Washer, Copper-1,5x10,0x14,0
16	1x2	163-01	Hose Asm, Hydraulic-300mm
17	1	165-06	Master Cylinder - left (incl. Refs 19 to 21, 24 to 28, 63 & 64)
18	1	165-05	Master Cylinder - right (incl. Refs 19 to 21, 24 to 28, 63 & 64)
19	2x2	160-42	FHMS M5x0,8x6mm
20	1x2	168-08	Cover
21	1x2	168-09	Cover, Rubber
22			See Section 4.0 Power Pack Assembly
24	1x2	162-02	Spring, Comp. 0.59x1.5
25	1x2		Seal, Primary, 19mm (See Ref. 30)
26	1x2	168-10	Piston 19mm dia.
27	1x2		Seal, Secondary, 19mm (See Ref. 30)
28	1x2		Boot, Rubber (See Ref. 30)
30	1x2	161.25	O-Ring Kit - Master Cylinder (incl. Refs 25, 27 & 28)
31	2	812.13	Pin Asm, Plunger-Adjustable
36	2	812.17	Collar
37	2	112.02	SHSS 10-24x1/4 Knurl Cup PT, PL
38		125 92	Adpt. & Mounting Kit - includes the following:
	1		Mounting Bracket
	1		Nut, #10-32
	1		Lockwasher, 3/16"
	1		Screw, #10-32x2"
	2		Nut, 1/4-20
	2		Lockwasher, 1/4"
	2		Screw, 1/4-20x5/8"
	1		Adaptor, 3' dia.
40	1	125-91	Blower Fan
41			See Section 2.0 Intake and Exhaust System
52	2	125-35	Clamp, Gear 3 . 50HF-52
53	1	127-06	Hose, Intake - 3" dia. x 26"
57	1	126-36	Brake Cool Air Duct
58	2	108-56	Lockwasher 1/4 Ext. Tooth
59	2	103-96	PHMS, Phil 1/4-20x5/8 Zc
60		126-19	Fluid, Brake - Silicon Dot 5 - .35L
61	1	118-02	Terminal, Male #76-1251
62	1	118-03	Terminal, Female #76-1289
63	1x2	160-03	O-ring, Oil Window
64	1x2	168-14	Oil Window, Master Cylinder



Ref	Qty	Part No.	Description	Ref	Qty	Part No.	Description
1	1	801-98	Body & Hood, Upper - Conq, (spec. colour) (incl. Ref 5, 11, 12, 13, 14, 15)	41	32	120-28	Collar, Magna Grip
2	1	801-43	Body, Lower - Conq, (spec. colour)	43	32	120-27	Pin, Magna Grip
3	1	127-28	Plug, Nylon - Black	44	1	863-11	Skid Plate, 8x8 - Black
4	1	801-05	Bumper, Vinyl - 8x8	45	1	126-88	Bumper, Rubber
5	1	602-34	Hood Kit - Conq, (spec. colour) (incl. 7, 8, 9, 10, 81, 82, 83, 84)	46	1	100-61	Coupler Ball (c/w Bolt+Wshr)
7	1	602-38	Clip, Hood	47	4	103-61	HHCS 3/8-24x1.5 Gr5 Zc
8	23	120-13	Rivet 3/16x5/8 - Black	48	4	117-24	Locknut, Nylon 3/8-24 Zc
8b	63	120-09	Rivet 3/16x1 - Black	49	1	616-16	Hitch Assembly
9	2	126-10	Wing Stud	50	1		Vehicle ID Plate, Alum.
10	2	126-09	Grommet, Alum.	51	1	126-65	Plate, Shifting
11	1	602-24	Frame Asm, Hood	52	1	127-26	Plate, Steering Lever+Winch
12	2	120-15	Rivet 1/8x7/16	53	1	126-67	Plate, Floor Pan
13	1	601-69	Spring Plate	54	1	126-68	Plate, Operation
14	1	126-11	Spring	55	1	126-69	Plate, Fuel
15	2	103-72	Screw, IHWH T/C Slot 1/4-20x3/4	56	1	127-76	Plate, Cap. Land/Water
16	1	602-29	Brace, Dash	57	1	126-72	Plate, Holding Brake
17	1	601-08	Trim, Vinyl - 84"	58	1		U.S. Plate, Non-U.S. Argos only
18	2	601-09	Trim, Vinyl - 28"	61	1	125-41	Handle, Dash (incl. 62)
19	4	112-04	HHCS 1/4-20x3/4 Gr2 Zc	62	2		Plug Cap, (avail. only with 61)
20	16	108-25	Washer .31x.75x.06 Zc	63	3	117-10	Locknut, Nylon #10-24 Zc
21	4	108-03	Lockwasher 1/4	64	1	108-53	Washer .81x1.5x.12 Zinc
22	4	801-41	Washer, Seat	65	3	103-25	PHMS #10-24x3/4 Zinc
23	4	126-79	Bumper, Plastic - Black	66	1	125-84	Grommet, Rubber
25	8	103-48	T/S Pan HD PHIL #10x5/8	67	2	127-01	Reflector, Red
26	26	120-24	Rivet, 3/32x3/8 Alum. (all plates)	69	1	807-73	Screen, Intake - Conquest
27	4	117-44	T-Nut 1/4-20 Zinc	70	1	807-74	Screen, Exhaust - Conquest
28	2	127-27	Nameplate - Conquest	72	28	120-11	Rivet 5/32 x 9/16 - Black
28b	1	601-44	Nameplate - Argo	73	1	117-15	Nut, Fin Hex 3/8-16 Zinc
29	1	801-03	Seat, Rear LH - 8x8	74	1	602-27	Support, Adjustable
30	1	801-02	Seat, Rear RH - 8x8	75	1	103-89	C/Bolt 3/8-16x3/4 Gr2 Zinc
31	1	609-33	Firewall - Conquest	76	1	108-06	Lockwasher 3/8
32	1	803-02	Floor Pan - Front - (spec. colour)	78	1	616-19	Tube, Hitch
33	1	803-03	Floor Pan - Rear - (spec. colour)	79	1	104-13	Pin, Top Link
36	57	120-04	Washer .19x.50x.08 Zinc	80	1	104-11	Pin, Lynch
37	1	126-60	Vinyl Strip 1/2"x1/4"x37.5'	81	2	127-45A	Pin, Hinge
38	4	120-05	Washer .19x.50x.08 Zc	82	2	127-45B	Knuckle, Hinge
39	6	100-16	Clip, Hitch Pin 1.625 Zc	83	8	103-47	HHCS 10-24x1/2
40	2	100-18	Plug, Drain 5/8"x13/32"	84	8	108-59	Lockwasher #10 Int. Tooth Zinc

7.0 Frame and Drive System

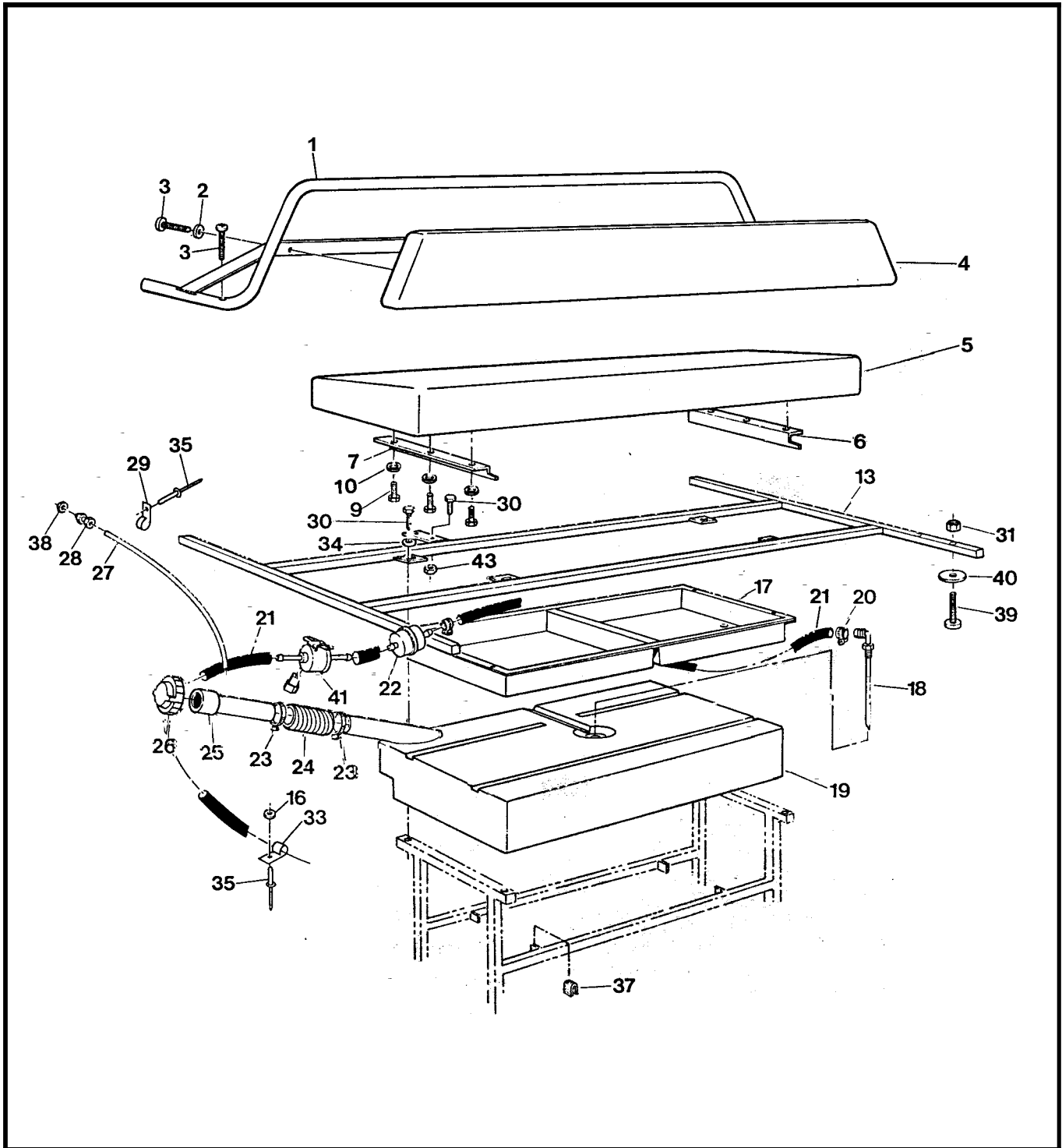
Conquest Parts Manual



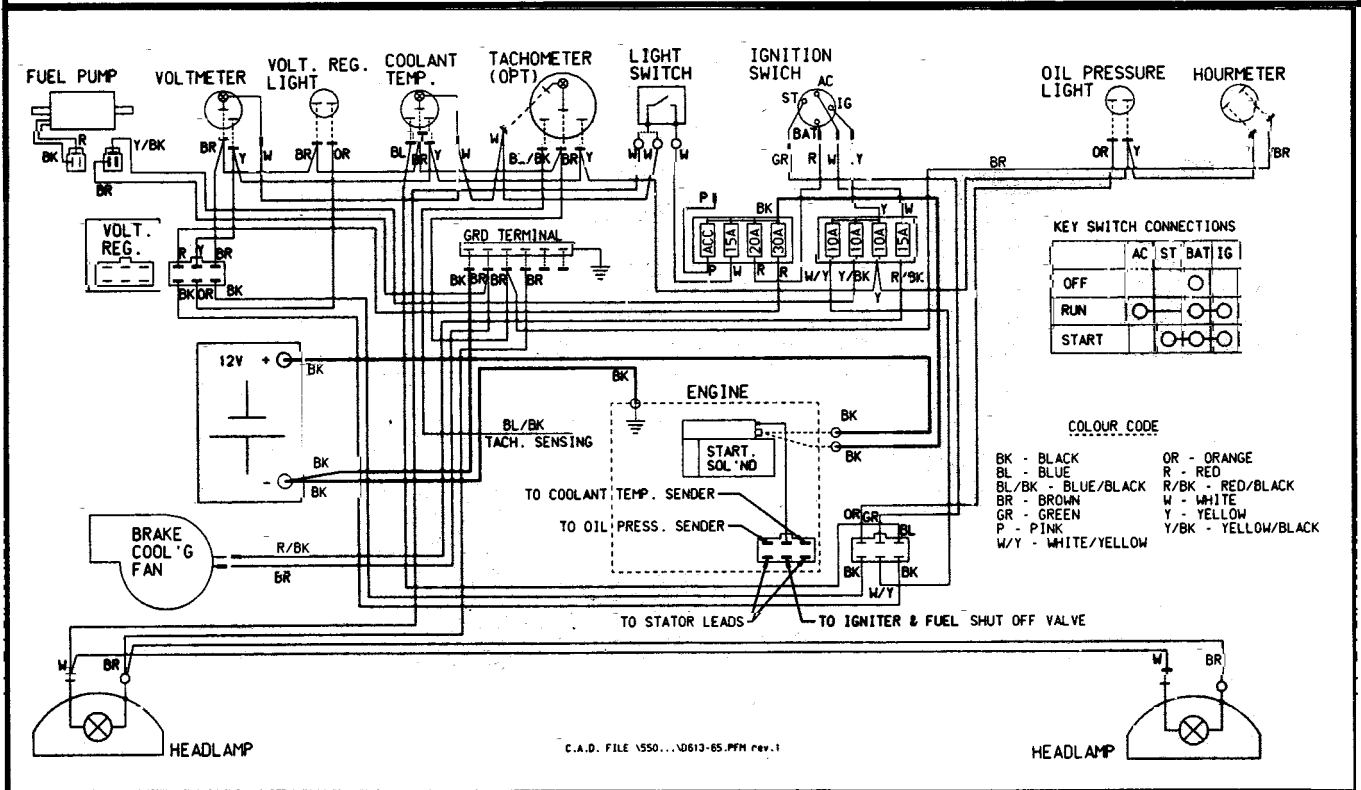
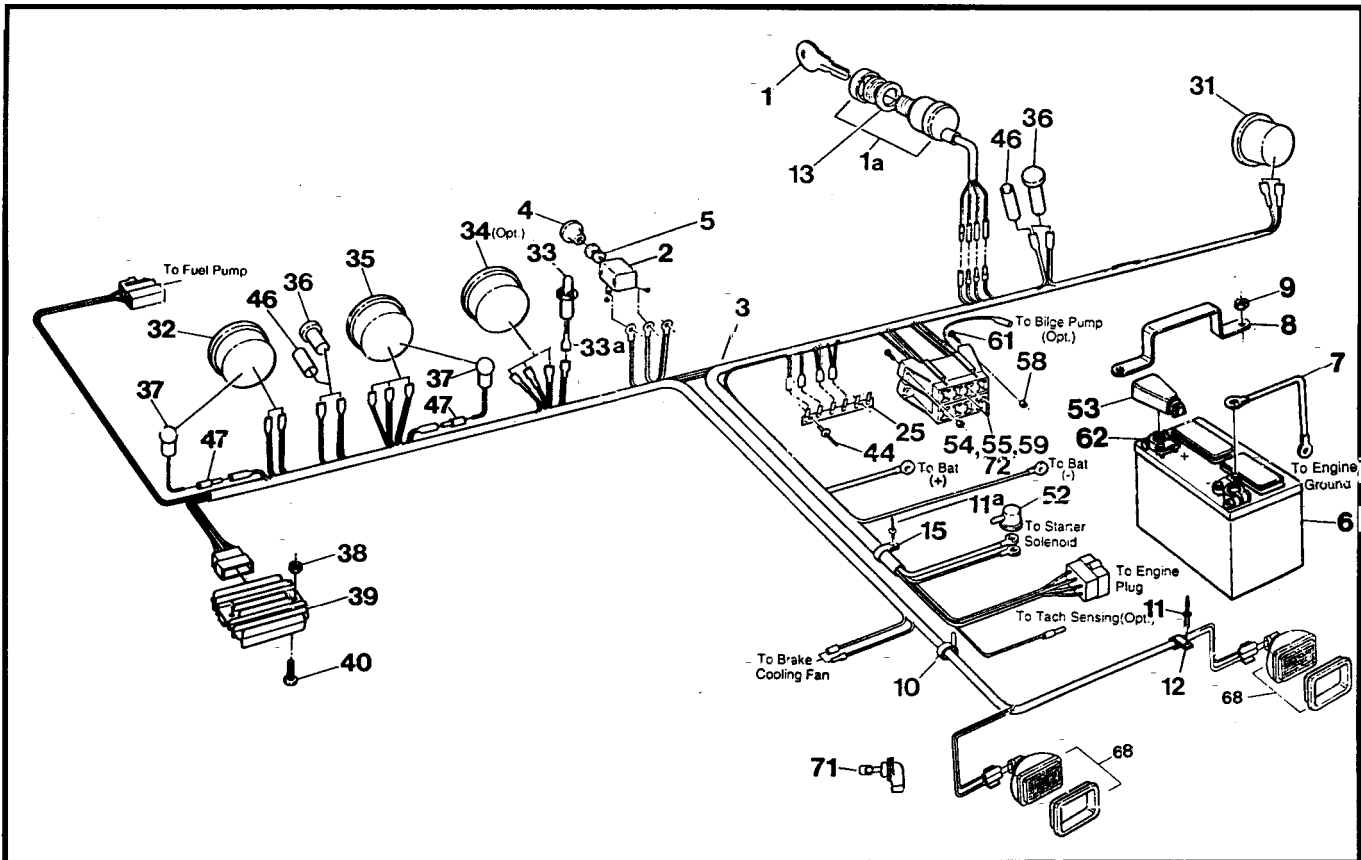
Conquest Parts Manuals 7.0 Frame and Drive System

Ref	Qty	Part No.	Description
1	1	804-90	Frame Asm - Conquest
2	4	605-69	Gasket - Bearing Extension
3	80	117-15	Nut, Fin Hex 3/8-16 Zinc
4	16	108-46	Washer .40x1.37x.12 Hi-Carbon
5	12	101-35	Bearing, Ball - 1.25
5a	8	101-41	Bearing, Ball - 1.0
6	82	108-06	Lockwasher 3/8
7	30	103-88	C/Bolt 3/8-16x1.0 Gr5 Zc
8	12	605-99	Gasket, Flange - Inner
9	12	605-89	Gasket, Flange - Outer
10a	16	605-63	Flange - 4 hole
10b	12	101-20	Flange, Greasable - 4 hole
11	8	102-14	Seal, Oil
12	8	102-15	Seal, Oil
13	8	605-97	Flange Asm, Outer (incl. Refs. 11 & 12)
14	16	112-39	C/Bolt 3/8-16x1.75 Gr5 Zc
15	16	103-67	C/Bolt 3/8-16 x 6 Gr2 Zc
16	4	810-36	Bearing Extension
17	24	108-34	Washer .47x.94x.06 Zinc
18	24	103-81	HHCS 7/16-20x2.5 Gr5 Zc
19	5x8	103-80	Stud, Wheel 7/16-20x1.125 #B271, (see Refs. 20, 21)
20	4	810-73	Axle Asm - Front/Rear (incl. Ref. 19)
21	4	810-75	Axle Asm - Mid (incl. Ref. 19)
22	2	810-45	Shaft, Idler - 11 T
23	1	604-84	Frame Asm, Battery
24	6	810-28	Sprocket, Double - 24T
25	8	810-29	Sprocket, Double - 19T
26	10	112-03	SHSS 5/16-18x3/8 1/2 DOG, PL
27	2	803-17	Chain, Idler RC50-2x40P (incl. Ref 53)
28	4	117-64	Insert, 1/4-20
29	8	112-31	HHCS 3/8-16x1.0 2B Gr8 Zc
30	2	112-14	HHCS 3/8-16x.75 Gr5 Zc
31	1	108-15	Washer .42x.81x.05 Zc
32	2	103-82	HHCS 3/8-16x1.5 Gr5 Zc
34	2	120-15	Rivet 1/8x7/16
35	1	126-11	Spring
43	2	603-17	Chain, RC50-2 x 42P-Front (incl. Ref. 53)
44	2	603-20	Chain, RC50-2 x 70P-Mid (incl. Ref. 53)
45	4	603-21	Chain, RC50-2 x 96P-Rear (incl. Ref. 53)
46	5x8	117-35	Nut, Wheel 7/16-20 Zc
47	8	125-26	Valve, Tire (see Refs. 50 & 51)
48	8	125-13C	Rim, Charcoal (see Refs. 50 & 51)
49	8	126-96	Tire, Goodyear Runamuk 22x10-8, (see Refs. 50 & 51)
53	1x10	100-96	Con. Link, RC50-2 H.D.
55	1x6	125-61	Spring
56	2x6	603-61	Slider Block
57	1x6	125-78	Spring
58	1x6	603-77	Arm, Chain Tensioner - Upper
59	1x6	603-76	Arm, Chain Tensioner - Lower
60	1x6	100-01	Pin, Cotter 1/8x1.50 Zc
61	1x6	603-78	Pin, Pivot
62	1x6	603-66	Spacer, .500 ID x .625 LG
63	6	647-10	Chain Take-up Replacement Kit (incl. Refs. 55 thru 62 as shown)

8.0 Fuel System & Seat Assembly Conquest Parts Manual



Ref	Qty	Part No.	Description
1	1	803-50	Handrail Assembly
2	4	108-03	Lockwasher 1/4
3	6	112-41	PHMS, PHIL 1/4-20x1.25 Zinc
4	1	608-39	Back Pad Asm
5	1	608-43	Seat, Bench
6	1	608-30	Angle, Left
7	1	608-31	Angle, Right
9	6	112-04	HHCS 1/4-20x3/4 Gr2 Zc
10	6	108-03	Lockwasher 1/4
13	1	804-17	Frame Asm, Seat
16	2	120-04	Washer .19x.50x.08 Zinc
17	1	608-32	Tool Box
18	1	608-28	Pickup Assembly, Fuel (See Ref. 19)
19	1	608-24	Tank, Fuel - 32 litre (incl. Ref. 18)
20	6	100-70	Clamp, Gear 1/2" HF4
21	1	608-42	Fuel Hose - 110"
22	1	125-64	Fuel Filter
23	2	100-12	Clamp, Gear 2.25" HF-36
24	1	125-94	Hose, Filler
25	1	126-47	Neck Asm, Fuel
26	1	126-46	Cap, Fuel
27	1	127-21	Hose, Vent - 86"
28	1	126-50	Male Connector, 1/4"
29	5	126-94	Clamp, Nylon Wire - 1/4"ID
30	6	112-04	HHCS 1/4-20x3/4 Gr2 Zc
31	12	117-10	Locknut, Nylon #10-24 Zc
33	3	126-93	Clamp, Nylon Wire - 1/2"ID
34	4	108-08	Washer .28x.62x.04 Zinc
35	7	120-09	Rivet 3/16x1 - Black
37	4	702-06	Foam Cushion
38	1	117-54	Nut, Locking PAL 1/2-20 Zc
39	12	112-07	RHMS 10-24~1.2Zc
40	12	108-42	Washer .21x1.0x.06 Zinc
41	1	49040-2065	Pump, Fuel
43	2	117-27	Locknut, Nylon 1/4-20 Zc



Ref	Qty	Part No.	Description
1	1	100-39A-1	Key
1a	1	127-17	Switch, Ignition - Conquest (incl. Ref. 1)
2	1	100-62	Switch, Light
3	1	313-61	Wire Harness - Conquest (incl. Fuse Holders)
4	1	126-76	Knob, Light
5	1	108-55	Lockwasher 7/16 External Tooth
6	1	127-54	Battery, Exide 45-50
7	1	313-14	Wire, Ground - 14"
8	1	304-52	Bracket, Battery Retaining
9	2	117-21	Locknut, Nylon 5/16-18 Zc
10	8	100-64	Tie Wrap, 5.5" - Black
11	10	120-09	Rivet 3/16x1 - Black
11a	6	120-13	Rivet 3/16x5/8 - Black
12	16	126-93	Clamp, Nylon Wire-1/2" ID
13	1	108-57	Lockwasher 3/4 Internal Tooth
15	5	127-24	Clamp, Nylon - 1" ID
25	1	613-37	Terminal Strip, Ground
31	1	632-15	Hourmeter
32	1	633-10	Voltmeter
33	1	634-09	Light Kit
33a	1	118-05	Terminal, 1/4" Male Blade
34	1	634-04	Tachometer Kit (opt.)
35	1	634-22	Gauge, Water Temperature
36	2	634-08	Light, Indicator
37	2	634-10	Light Kit, #06215-00
38	2	117-27	Locknut, Nylon 1/4-20 Zc
39	1	21066-2070	Regulator, Voltage
40	2	103-63	PHMS, PHIL 1/4-20x1.0 Zc
44	2	120-15	Rivet 1/8x7/16
46	2	118-48	Heat Shrink, 2 x 1/2
47	2	118-02	Terminal, Male #76-1251
52	1	613-46	Terminal Insulator (2 ga.)
53	1	127-55	Cap, Battery Terminal
54	1	118-53	Fuse, 20A 2 prong (AT020)
55	2	118-49	Fuse, 15A 2 prong (AT015)
58	4	117-10	Locknut, Nylon #10-24 Zc
59	3	118-52	Fuse, 10A 2 prong (AT010)
61	4	103-25	PHMS #10-24x3/4 Zc
62	2	127-56	Terminal, Battery Post
68	2	613-62	Headlamp Asm
71	2	127-46	Bulb, Headlight - Halogen
72	1	118-51	Fuse, 30A 2 prong (AT030)

ARGO Products Manufactured by:

Ontario Drive & Gear Limited

P.O. Box 280,220 Bergey Court

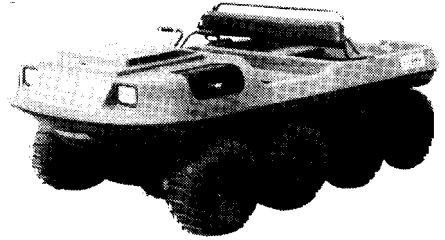
New Hamburg, Ontario

Canada NOB 2G0

Phone: (519) 662-2840

Fax: (519) 662-2421

ODG *Dedicated to quality and performance*



ARGO

CONQUEST

PARTS MANUAL

**Model Nos. V894-37 &
V894-38**

From Serial #CB14963

Foreword

ODG has prepared this parts manual for the CONQUEST model to assist both qualified mechanics and vehicle owners in ordering correct, quality replacement ARGO parts.

Proper and regular service, and replacing old, worn or broken parts with the correct ARGO replacement parts, are both essential to prolonging the life of the ARGO. Please refer to this parts manual before ordering any replacement part.

All information contained in this CONQUEST Parts Manual is based on the latest product specification available at time of printing. If your CONQUEST differs from the specifications contained in this manual, contact Ontario Drive & Gear Limited for information.

ODG reserves the right to alter specifications on the CONQUEST model at any time, without obligation or prior notification.

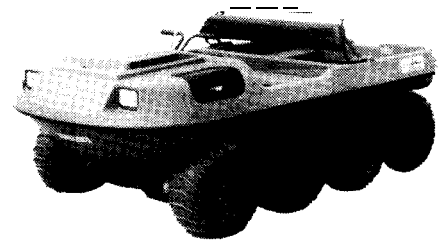
Reproduction of this CONQUEST Parts Manual, in whole or in part, is prohibited without prior written permission from Ontario Drive & Gear Limited.

Model Identification

CONQUEST - Model Nos. V894-37 and V894-38

Explanation of Parts Manual Format

- Reference number between assembly diagram and component parts list
- Part No.** - Argo replacement part number for identification and re-ordering
- Description** - Part description for identification and re-ordering
- Indicates the quantity of a part used in an Assembly

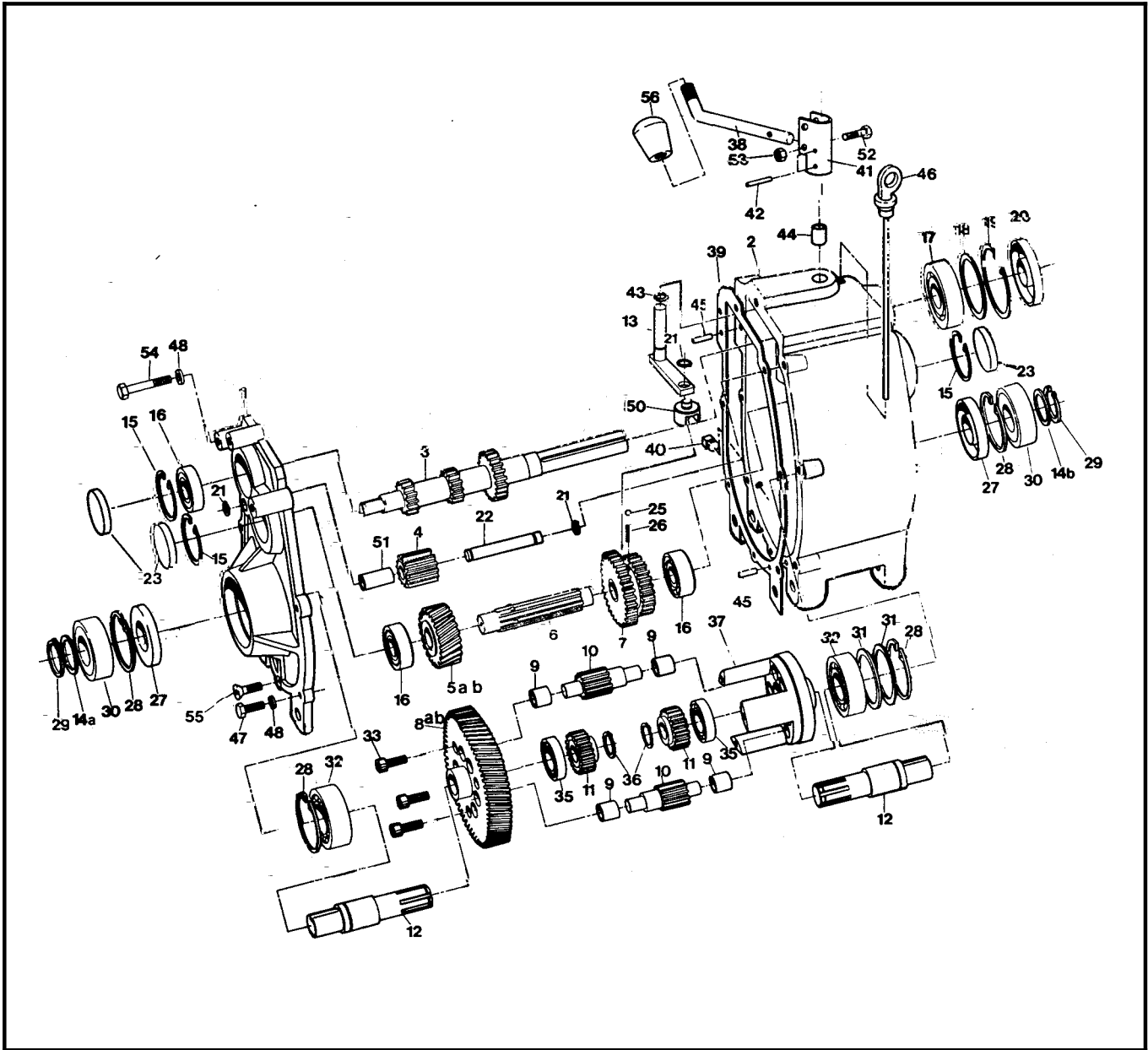


Using the Parts Manual

- 1 Find the major vehicle assembly in the Table of Contents on this page, and turn to that section.
2. Locate the part in the illustration that you wish to order.
3. Refer to the parts list in that section
4. Find the correct part number (Part No.), part description (Description) and correct quantity (Qty).
5. Use *only* this information to order ARGO replacement parts. **DO NOT** attempt to order a replacement part by reference number or page number.

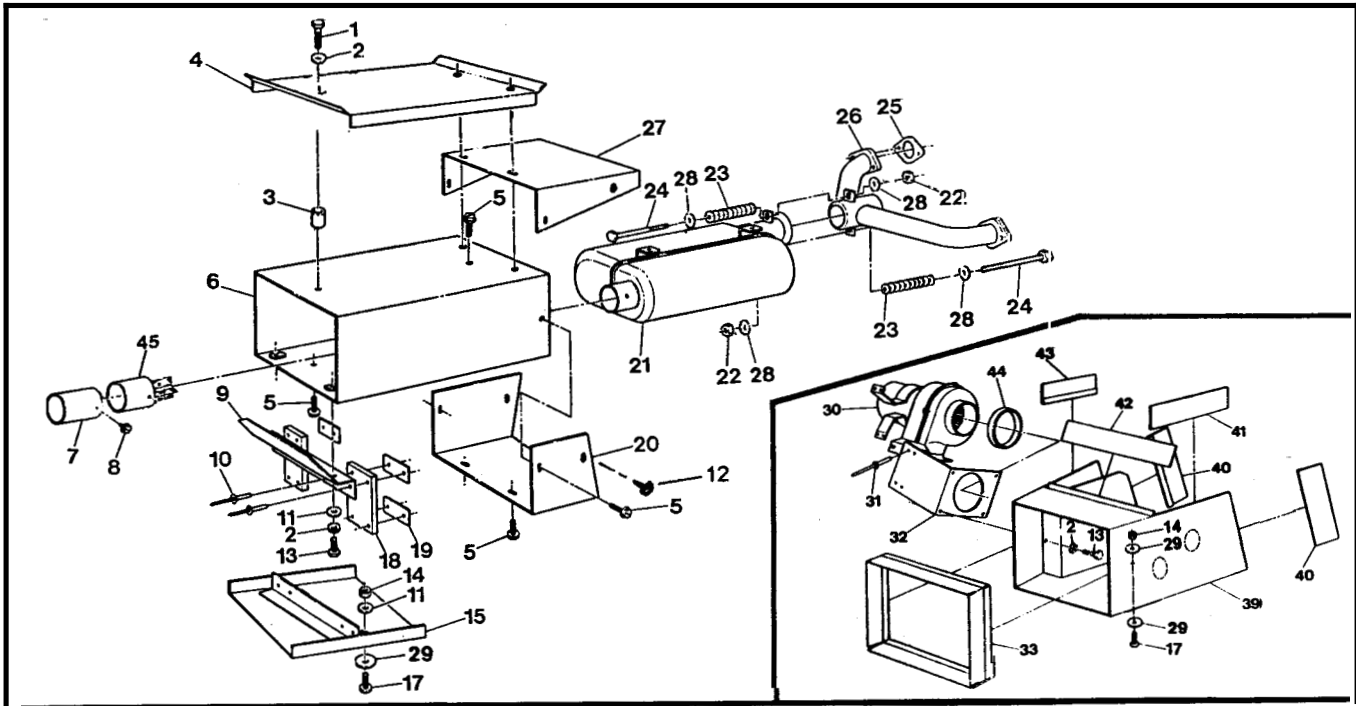
Table of Contents

Foreword..	i
Model Identification	i
Using the Parts Manual	ii
1.0 Transmission	1
2.0 Intake and Exhaust System	3
3.0 Clutch System	3
4.0 Power Pack Assembly	5
5.0 Brake System - Hydraulic	7
6.0 Vehicle Body & Firewall	9
7.0 Frame & Drive System	11
8.0 Fuel System & Seat Assembly	13
9.0 Electrical System	15

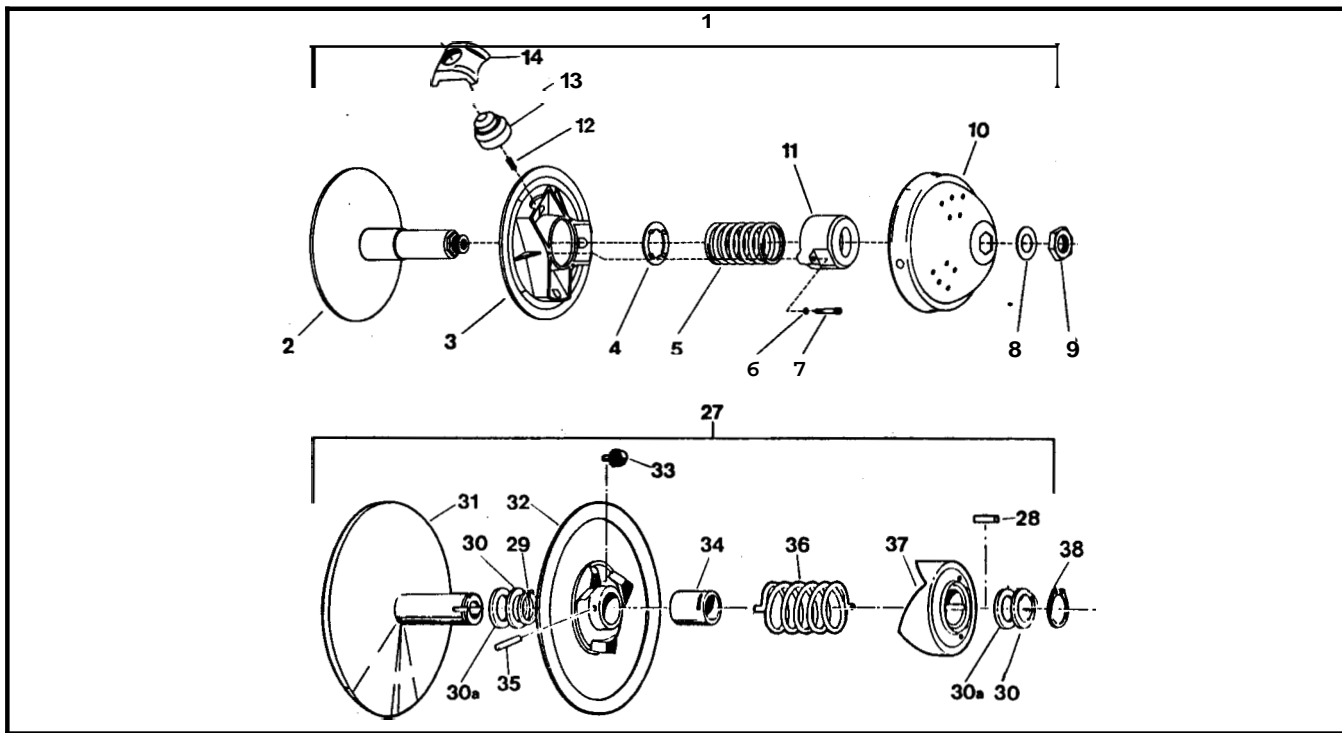


Ref	Qty	Part No.	Description
		610-17MU	Transmission Asm - MU, does not include Refs 38, 52, 53 & 56, uses Refs 5a & 8a
		610-17GU	Transmission <i>Asm</i> - GU, does not include Refs 38, 52, 53 & 56, uses Refs 5b & 8b
1	1	34-68	Cover, Transmission
2	1	34-99	Housing, Transmission
3	1	34-21	Shaft, Input- 13/21T
4	1	34-16A	Gear, Idler - 13T (incl. Ref 51)
5a	1	34-95	Gear, Helical - 24T - M
5b	1	34-97	Gear, Helical - 21T - G
6	1	34-94	Shaft, Spline
7	1	34-91	Gear, Double - 26/33T
8a	1	34-22	Gear Plate - 73T - M
8b	1	34-45	Gear Plate - 76T - G
9	12	105-03	Bushing, Oilite - 1/2 x 3/4
10	6	34-13	Gear, Planet - 12T
11	2	34-14	Gear, Sun - 21T
12	2	34-81	Shaft, Output
13	1	34-65	Shifter Asm.
14a	1	114-04	Washer, Shim .040 Thk
14b	1	114-05	Washer, Shim .020 Thk
15	3	106-01	Retaining Ring
16	3	101-01	Bearing, Ball 6204Z-C3
17	1	101-16	Bearing, Ball 6206-C3
18	as req	114-02	Washer, Shim 2.06x2.42x.02
19	1	106-05	Retaining Ring
20	1	102-05	Seal, Oil WBS 30x62x10
21	3	107-05	Retaining Ring
22	1	34-11	Pin, Dowel 1/2 x 3.50
23	3	31-07	Plug Plate
25	1	109-05	Ball, Steel 6mm 62-67 Rc
26	1	34-32	Spring, Compression - 7/32x.50
27	2	102-03	Seal, Oil WBS 30x72x10
28	4	106-03	Retaining Ring
29	2	107-02	Retaining Ring
30	2	101-05	Bearing, Ball 6306-2NSE C3
31	2	114-01	Washer, Shim 2.25x2.81x.02
32	2	101-03	Bearing, Ball 6207-C3
33	3	103-04	SHCS 5/16-18x1.0 Bare
35	2	101-15	Bearing, Ball 6005-C3
36	2	107-04	Retaining Ring
37	1	34-08	Cage
38	1	610-77	Lever, Shift
39	1	34-47	Gasket, Cover - 1/64" Thk
40	1	103-02	Plug, Magnetic 3/8-18 NPT
41	1	34-86	Holder, Shift Lever
42	2	111-01	Pin, Spring 5/32x1.0
43	1	113-01	O-Ring
44	1	105-02	Bushing, Oilite - 1/2 x 1.0
45	2	104-03	Pin, Dowel 1/4 x 7/8
46	1	34-77	Dipstick, with breather
47	4	103-06	HHCS 5/16-18x1.0 GR5 Zc
48	7	108-05	Lockwasher 5/16
50	1	34-63	Shift Yoke
51	1	105-05	Bushing, Oilite - 1/2 x 1.5 (in Ref. 4)
52	1	103-97	HHCS 1/4-20x1.25 GR5 Zc
53	1	117-27	Locknut, Nylon 1/4-20Zc
54			See Section 4.0 Power Pack Assembly
55	1	103-95	FHSC 5/16-18x1.0 GR8 Zc
56	1	126-38	Knob, Shift

2.0 Intake and Exhaust System Conquest Parts Manual



3.0 Clutch System

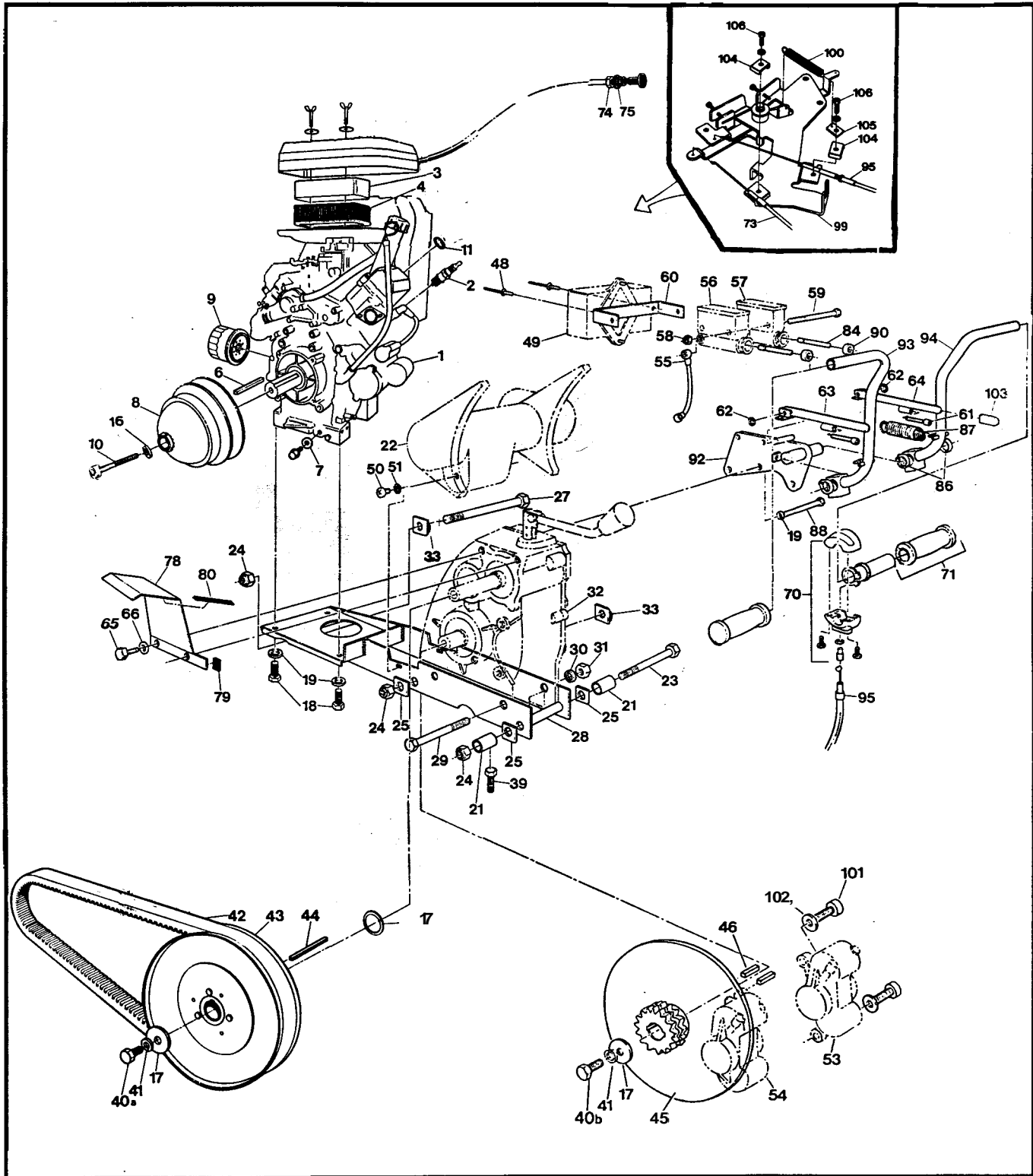


Conquest Parts Manual 2.0 Intake and Exhaust System

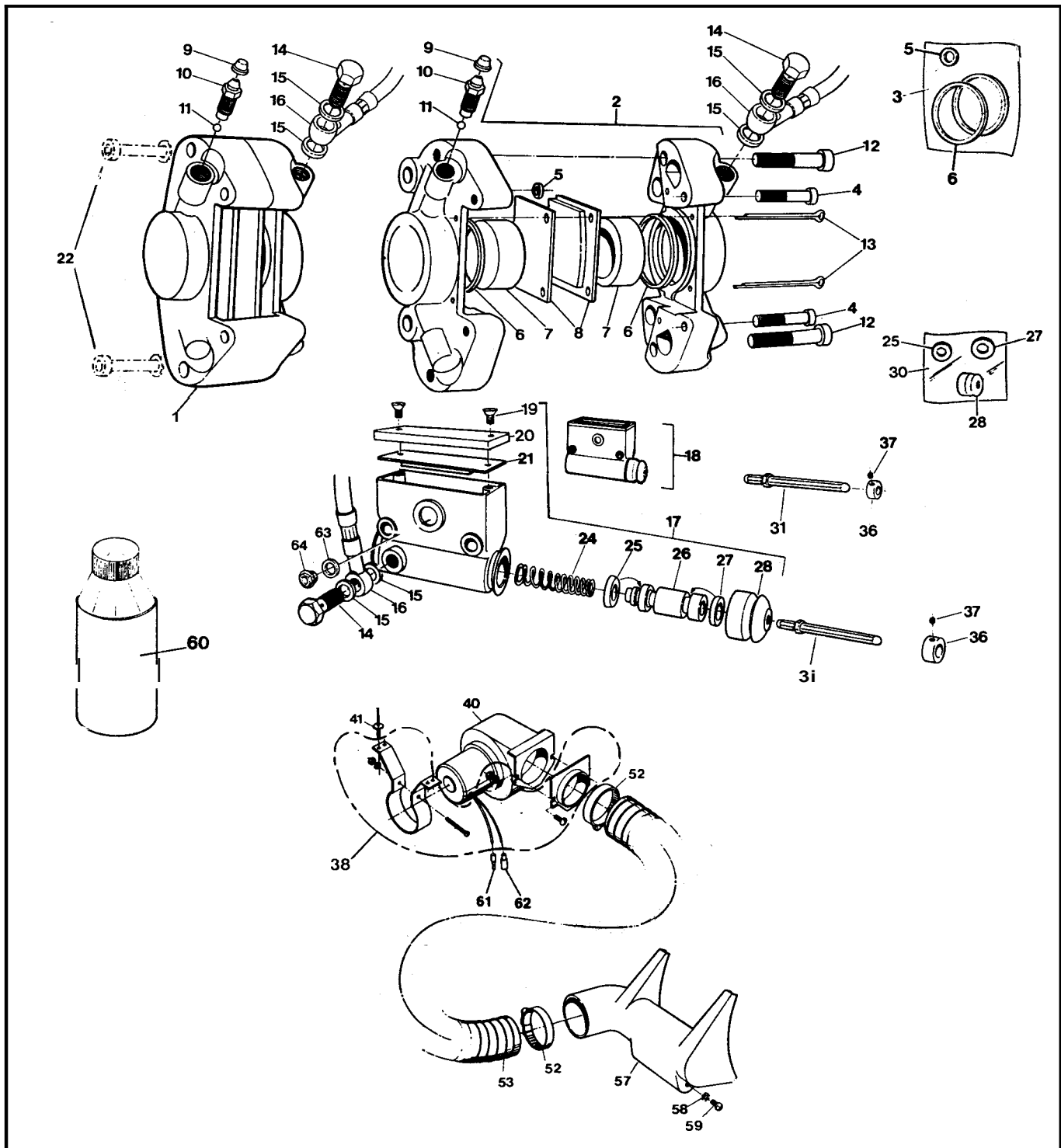
Ref	Qty	Part No.	Description	Ref	Qty	Part No.	Description
1	3	103-97	HHCS 1/4-20x1.25 Gr5 Zc	22	2	117-25	Nut, Conelock 5/16-18
2	9	108-03	Lockwasher 1/4	23	2	100-10	Spring, Compression
3	3	807-71	Spacer	24	2	112-18	SHCS 5/16-18x2.25
4	1	807-72	Shield, Heat	25	2	11060-2079	Gasket, Muffler
5	7	112-19	Screw IHWH T/C 1/4-20x1/2	26	1	807-66	Manifold Asm
6	1	807-41	Shield Asm, Muffler	27	1	807-38	Cover, Manifold
7	1	807-75	Pipe, Muffler Outlet	28	4	108-24	Washer .34x.70x.06 Zc
8	1	112-43	Screw, IHWH #8x3/8	29	8	108-01	Washer, Fender 1/4 BSx1.25OD
9	1	807-43	Support, Upper	30			See Section 5.0 Brake System
10	8	120-09	Rivet 3/16x1 - Black	31	4	120-13	Rivet 3/16x5/8 - Black
11	4	108-08	Washer .28x.62x.04 Zinc	32	1	807-68	Bracket Asm, Fan
12	2	103-48	T/S Pan Hd. Phil #10x5/8	33	1	603-87	Seal, Radiator
13	6	112-04	HHCS 1/4-20x3/4 GR Zc	39	1	807-35	Duct Asm, Intake
14	5	117-27	Locknut, Nylon 1/4-20 Zc	40	2	603-88C	Seal 9.62"
15	1	807-49	Support, Lower	41	1	603-88B	Seal 8.49"
17	5	103-63	PHMS, PHIL 1/4-20x1.0 ZC	42	1	603-88D	Seal 11.66
18	2	126-07	Support, Flex	43	1	603-88A	Seal 7.09"
19	4	807-69	Washer, Special	44	1	602-33	Vinyl Trim - 9.8"
20	1	807-70	Cover, Lower	45	1	807-67	Spark Arrester
21	1	807-42	Muffler Asm - Conquest				

3.0 Clutch System

Ref	Qty	Part No.	Description
1	1	127-71	Clutch, Driver - Keyed (incl. Refs 2 to 14)
2	1	0405-0020	Pulley, Half - Fixed
3	1	0410-0006	Pulley, Half - Sliding
4	1	V09	Plate, Spring Guide
5	1	V10-48-105-17	Spring
6	3	420-2453-700	Lockwasher
7	3	222-9640-66	SHCS
8	1	0080-0153	Washer, Zc
9	1	0080-0100	Nut
10	1	0115-0003(A)	Cap
11	1	0440-0001	Cover, Spring
12	3	C24-L1	Spring, Anti-noise
13	3	C13-266T	Weight, 266g
14	3	0130-3002	Block, Red
27	1	126-24	Clutch, Driven - Model " B (incl. Refs 28 to 37)
28	1	ASK-5	Key 1/4x1/4x5/8
29	1	ASR-6	Retaining Ring
30	as req	ASA-1-S	Spacer .025" Thick
30a	as req	ASA-1	Spacer .050" Thick
31	1	AFK25.4-250OD01	Pulley, Half - Fixed
32	1	AMC-2-250OD01	Pulley, Half - Sliding incl. Refs. 33, 34 & 35
33	3	ANS-2-T	Shoe, Cam
34	1	AMB-2	Bushing, Bronze
35	1	111-01	Pin, Spring 5/32x1.0
36	1	ACS-3-188	Spring, Blue
37	1	AFC-4-C3D4	Cam
38	1	371-9031-000	Retaining Ring

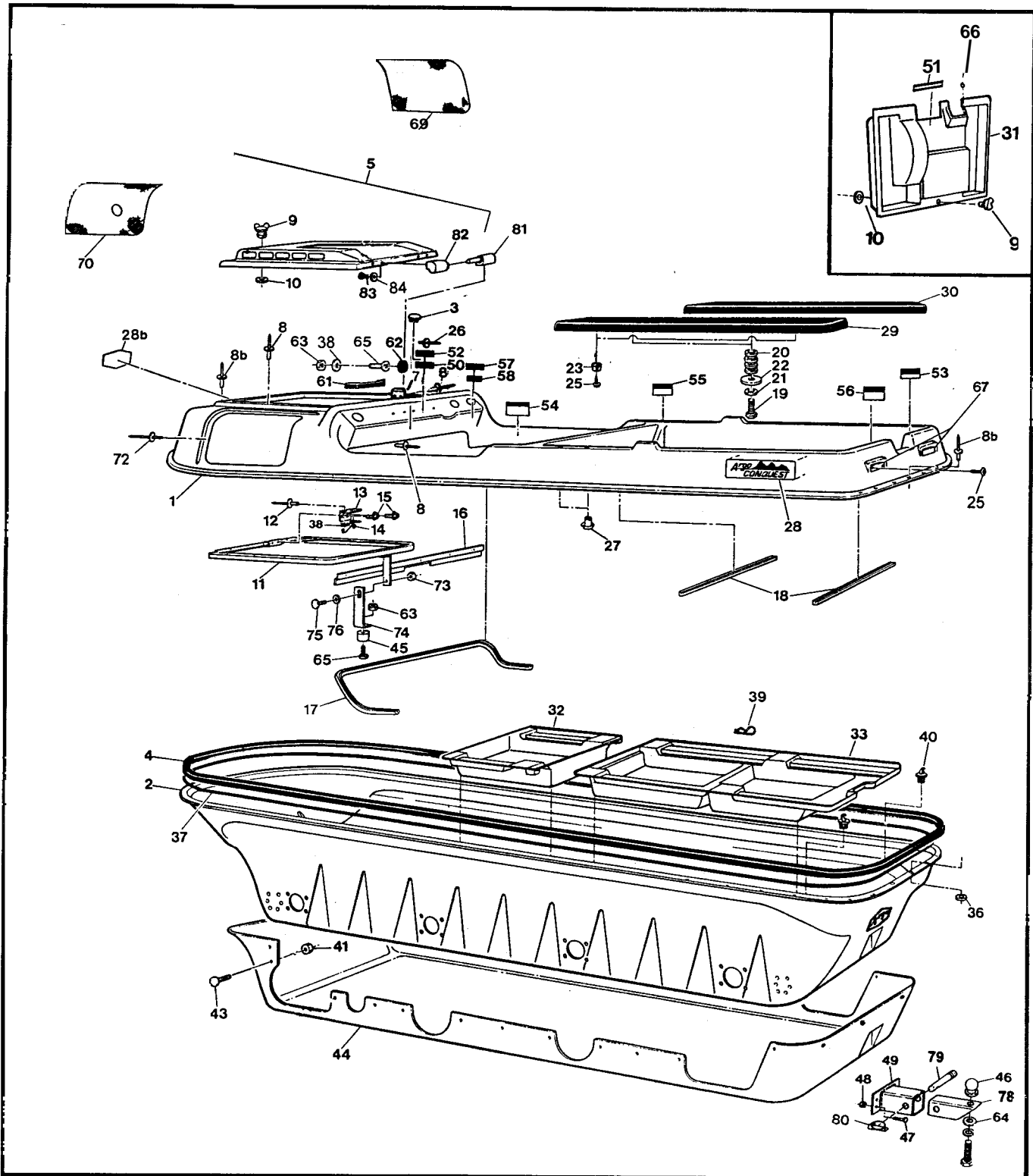


Ref	Qty	Part No.	Description	Ref	Qty	Part No.	Description
1	1	FD620D-GS12	Engine - Kawasaki, (incl. Refs. 2, 3, 4, 7, 9, 49)	50 to 57			See Section 5.0 Brake System
2	2	32070-2072	Sparkplug, BMR4A	58	2	117-27	Locknut, Nylon 1/4-20Zc
3	1	11013-2114	Element, Air Filter - Foam	59	2	103-66	HHCS 1/4-20x4.0 Gr5 Zc
4	1	11013-2139	Element, Air Filter - Paper	60	1	610-75	Bracket, Igniter
6	1	110-13	Key 1/4x1/4x2.25	61	2	103-69	SHCS 114-20~1.5ZC
7	1	11009-2566	Gasket, Drain Plug	62	2	113-02	O-Ring
8			See Section 3.0 Clutch System	63	1	810-20	Lever Asm, Brake - LH
9	1	127-68	Filter, Oil	64	1	810-21	Lever Asm, Brake - RH
10	1	112-15	SHCSM10x1,5x90mm	65	2	103-17	HHCS 318-16x1.0 Gr5 Zc
16	1	108-54	Lockwasher, Hi-Collar - M10	66	2	108-26	Washer 318 Zc
17	3	108-18	Washer .40x1.37x.12 Zc	70	1	100-57	Throttle Twist Grip
18	4	112-30	SHCSM8x1,25x20mm Zc	71	2	127-35	Grip, Molded
19	7	108-05	Lockwasher 5116 Zc	73	1	812-29	Cable Asm, Choke - Conq.
21	2	811-14	Spacer	74	1	117-68	Nut, Jam 3/8-24 UNF Zinc
22			See Section 5.0 Brake System	75	1	108-32	Lockwasher 318 Int. Tooth
23	1	112-57	HHCS 518-11x10.0 Gr5 Zc	78	1	603-29	Guard, Belt Protect
24	3	117-09	Locknut, Nylon 518-11 Zc	79	1	601-92	Vinyl Trim - 1.5"
25	3	811-09	Washer, Square - .64 ID	80	1	601-93	Vinyl Trim - 4.25"
27	2	112-58	HHCS 518-11x7.5 Gr5 Zc	84			See Section 5.0 Brake System
28	1	811-30	Frame, Powerpack - Conq.	86	4	106-07	Retaining Ring
29	2	103-20	HHCS 1/2-13x6.5 Gr5 Zc	87	2	127-33	Spring, Extension
30	2	108-07	Lockwasher 112	88	3	103-55	HHCS 5116-18x2.75 Gr5 Zc
31	2	117-06	Nut, Fin Hex 1/2-13Zc	90			See Section 5.0 Brake System
32			See Section 1.0 Transmission	92	1	812-01	Bracket Asm, Steering
33	2	811-15	Washer, Square Lock .64 ID	93	1	812-27	Lever Asm, Steering - LH
39	2	103-53	HHCS 318-16~3.0 Gr5 Full Thread	94	1	812-26	Lever Asm, Steering - RH
40a	1	103-34	HHCS 3/8-16x1.25 Gr5 Zc	95	1	612-76	Cable Asm, Throttle
40b	2	103-18	HHCS 318-24x1.25 Gr5 Zc	99	1	491 13-2165	Control Panel (incl. Ref 104&106)
41	3	108-06	Lockwasher 318 Split Ring Zc	100	1	127-11	Spring, Extension
42	1	125-56	Drive Belt	101	4	103-41	SHCS 318-16~1.25ZC
43			See Section 3.0 Clutch System	102	4	108-23	Washer 318 SAE Gr8 - Dich.
44	1	110-09	Key 1/4x1/4x3.0	103	2	126-89	Cap, Vinyl - Black
45	2	810-01	Brake Disc #50-2x13T	104	2	92037-2209	Clamp
46	4	110-14	Key 1/4x1/4x1.25	105	1	601-86	Clip, Retainer
47	as req	108-36	Washer 1.03x1.37x.06 Zinc	106	2	92002-2188	Bolt
48	2	120-13	Rivet 3116x518 - Black				
49	1	21119-2120	Igniter				



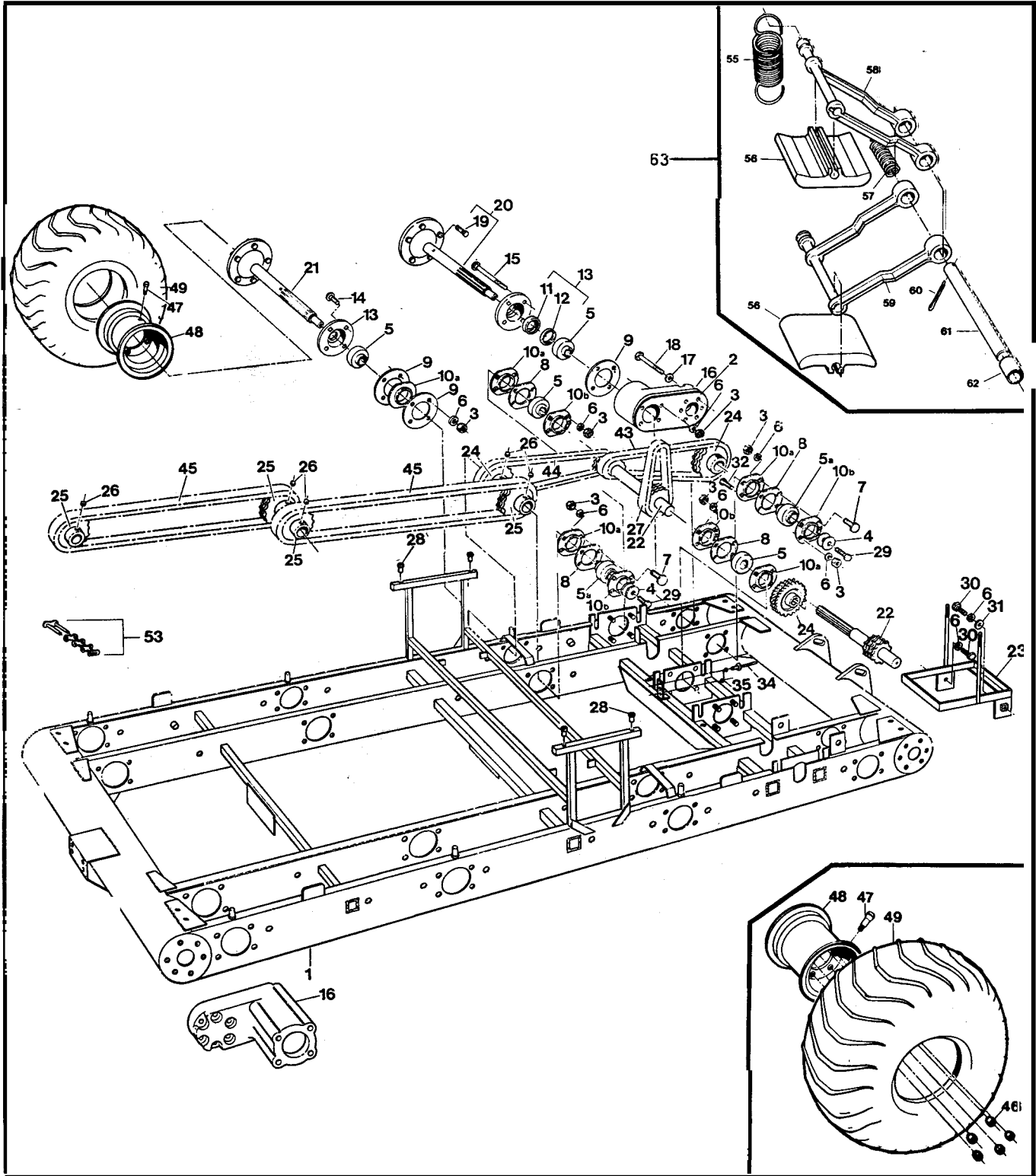
Conquest Parts Manual 5.0 Brake System - Hydraulic

Ref	Qty	Part No.	Description
1	1	166-01RM	Caliper, Brake - L w/o Pads (incl. Refs 5,6, 7, 9 - 12)
2	1	166-02RM	Caliper, Brake - R w/o Pads (incl. Refs 5,6, 7, 9 - 12)
3	2	161-01	O-Ring Kit, Caliper (incl. Refs 5 & 6)
4	2	60-40	SHCS M8x1,25x40 Zc
5	1		Seal, Rubber - 5mm (see Ref 3)
6	2		Seal, Piston - 41mm (see Ref 3)
7	2x2	68-05	Piston 41mm
8	1	70-02	Brake Pad Set (4) - Metallic (Asbestos-free)
9	1x2	68-20	Plug, Rubber
10	1x2	68-03	Screw, Bleeding M10x1,0
11	1x2	09-03	Ball, Steel - 7/32 Dia.
12	2x2	60-41	SHCS M10x1,5x50mm Zc
13	2x2	68-06	Pin, Cotter 3,2x50mm
14	4	60-44	Bolt, Banjo-M10x1,0x21,0 Zc
15	8	60-01	Washer, Copper-1,5x10,0x14,0
16	1x2	63-01	Hose Asm,Hydraulic-31Omm
17	1	65-06	Master Cylinder - left (incl. Refs 19 to 21, 24 to 28, 63 & 64)
18	1	65-05	Master Cylinder - right (incl. Refs 19 to 21, 24 to 28, 63 & 64)
19	2x2	60-42	FHMS M5x0,8x6mm
20	1x2	68-08	Cover
21	1x2	68-09	Cover, Rubber
22			See Section 4.0 Power Pack Assembly
24	1x2	62-02	Spring, Comp. 0.59x1.5
25	1x2		Seal, Primary, 19mm (See Ref. 30)
26	1x2	68-10	Piston 19mm dia.
27	1x2		Seal, Secondary, 19mm (See Ref. 30)
28	1x2		Boot, Rubber (See Ref. 30)
30	1x2	61-25	O-Ring Kit - Master Cylinder (incl. Refs 25, 27 & 28)
31	2	12-13	Pin Asrn, Plunger-Adjustable
36	2	12-17	Collar
37	2	12-02	SHSS 10-24x1/4 Knurl Cup PT, PL
38		25-92	Adpt. & Mounting Kit - includes the following:
	1		Mounting Bracket
	1		Nut, #10-32
	1		Lockwasher, 3/16"
	1		Screw, #10-32x2"
	2		Nut, 1/4-20
	2		Lockwasher, 1/4"
	2		Screw, 1/4-20x5/8"
	1		Adaptor, 3" dia.
40	1	25-91	Blower Fan
41			See Section 2.0 Intake and Exhaust System
52	2	25-35	Clamp, Gear 3.50" HF-52
53	1	27-06	Hose, Intake - 3" dia. x 26"
57	1	26-36	Brake Cool Air Duct
58	2	08-56	Lockwasher 1/4 Ext. Tooth
59	2	03-96	PHMS, Phil 1/4-20x5/8 Zc
60		26-19	Fluid, Brake - Silicon Dot 5 - .35L
61	1	18-02	Terminal, Male #76-1251
62	1	18-03	Terminal, Female #76-1289
63	1x2	60-03	O-ring, Oil Window
64	1x2	68-14	Oil Window, Master Cylinder



Ref	Qty	Part No.	Description
1	1	801-98	Body & Hood, Upper - Conq, (spec. colour) (incl. Ref 5, 11, 12, 13, 14, 15)
2	1	801-43BL	Body, Lower - Conq, (Black)
3	1	127-28	Plug, Nylon - Black
4	1	801-05	Bumper, Vinyl - 8x8
5	1	602-34	Hood Kit - Conq, (spec. colour) (incl. 7, 8, 9, 10, 81, 82, 83, 84)
7	1	602-38	Clip, Hood
8	23	120-13	Rivet 3/16x5/8 - Black
8b	63	120-09	Rivet 3/16x1 - Black
9	2	126-10	Wing Stud
10	2	126-09	Grommet, Alum.
11	1	602-24	Frame Asm, Hood
12	2	120-15	Rivet 1/8x7/16
13	1	601-69	Spring Plate
14	1	126-11	Spring
15	2	103-72	Screw, IHWH T/C Slot 1/4-20x3/4
16	1	602-29	Brace, Dash
17	1	601-08	Trim, Vinyl - 84"
18	2	601-09	Trim, Vinyl - 28"
19	4	112-04	HHCS 1/4-20x3/4 Gr2 Zc
20	16	108-25	Washer .31x.75x.06 Zc
21	4	108-03	Lockwasher 1/4
22	4	801-41	Washer, Seat
23	4	126-79	Bumper, Plastic - Black
25	8	103-48	T/S Pan HD PHIL #10x5/8
26	26	120-24	Rivet, 3/32x3/8 Alum. (all plates)
27	4	117-44	T-Nut 1/4-20 Zinc
28	2	127-27	Nameplate - Conquest
28b	1	601-44	Nameplate - Argo
29	1	801-03	Seat, Rear LH - 8x8
30	1	801-02	Seat, Rear RH - 8x8
31	1	609-33	Firewall - Hydraulic Brakes
32	1	803-02	Floor Pan - Front - (spec. colour)
33	1	803-03	Floor Pan - Rear - (spec. colour)
36	57	120-04	Washer .19x.50x.08 Zinc
37	1	126-60	Vinyl Strip 1/2"x1/4"x37.5'
38	4	120-05	Washer .19x.50x.04 Zc
39	6	100-16	Clip, Hitch Pin 1.625 Zc
40	2	100-18	Plug, Drain 5/8"x13/32"

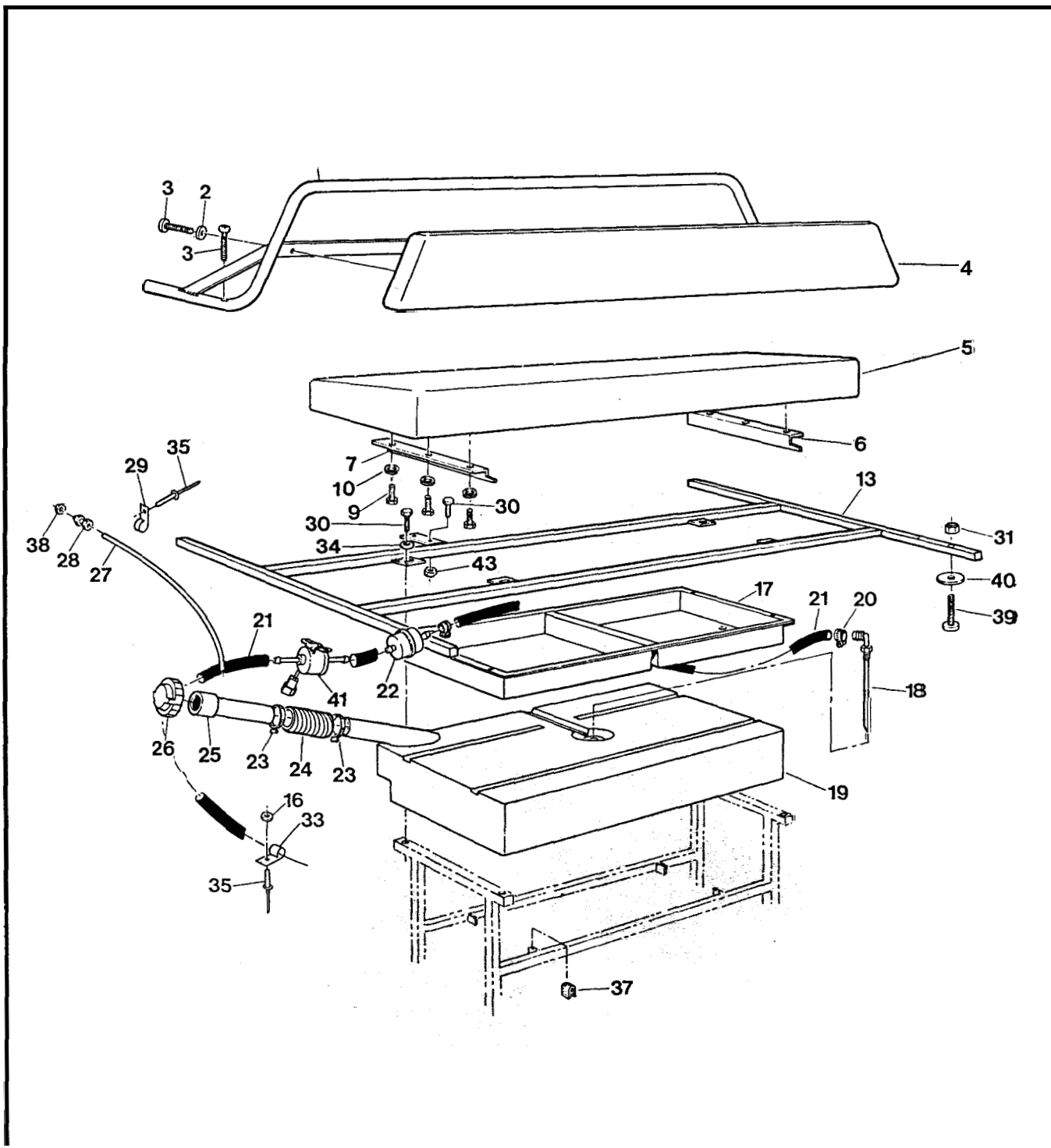
Ref	Qty	Part No.	Description
41	32	120-28	Collar, Magna Grip
43	32	120-27	Pin, Magna Grip
44	1	863-11	Skid Plate, 8x8 - Black
45	1	126-88	Bumper, Rubber
46	1	100-61	Coupler Ball (c/w Bolt+Wshr)
47	4	103-61	HHCS 3/8-24x1.5 Gr5 Zc
48	4	117-24	Locknut, Nylon 3/8-24 Zc
49	1	616-16	Hitch Assembly
50	1		Vehicle ID Plate, Alum.
51	1	126-65	Plate, Shifting
52	1	127-26	Plate, Steering Lever+Winch
53	1	126-67	Plate, Floor Pan
54	1	126-68	Plate, Operation
55	1	126-69	Plate, Fuel
56	1	127-76	Plate, Cap. Land/Water
57	1	126-72	Plate, Holding Brake
58	1		U.S. Plate, Non-U.S. Argos only
61	1	125-41	Handle, Dash (incl. 62)
62	2		Plug Cap, (avail. only with 61)
63	3	117-10	Locknut, Nylon #10-24 Zc
64	1	108-53	Washer .81x1.5x.12 Zinc
65	3	103-25	PHMS #10-24x3/4 Zinc
66	1	125-84	Grommet, Rubber
67	2	127-01	Reflector, Red
69	1	807-73	Screen, Intake - Conquest
70	1	807-74	Screen, Exhaust - Conquest
72	28	120-11	Rivet 5/32 x 9/16 - Black
73	1	117-15	Nut, Fin Hex 3/8-16 Zinc
74	1	602-27	Support, Adjustable
75	1	103-89	C/Bolt 3/8-16x3/4 Gr2 Zinc
76	1	108-06	Lockwasher 3/8
78	1	616-19	Tube, Hitch
79	1	104-13	Pin, Top Link
80	1	104-11	Pin, Lynch
81	2	127-45A	Pin, Hinge
82	2	127-45B	Knuckle, Hinge
83	8	103-47	HHCS 10-24x1/2
84	8	108-59	Lockwasher #10 Int. Tooth Zinc



Conquest Parts Manuals 7.0 Frame and Drive System

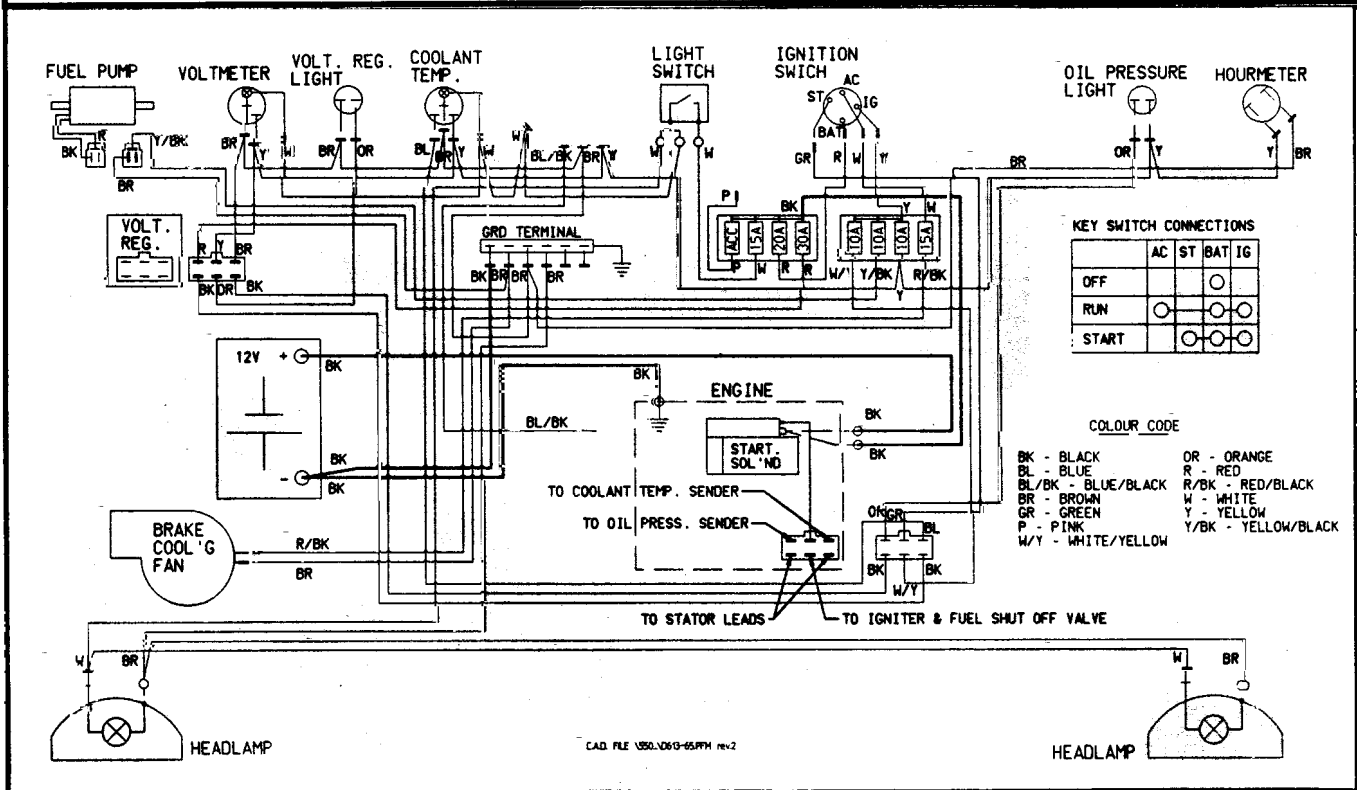
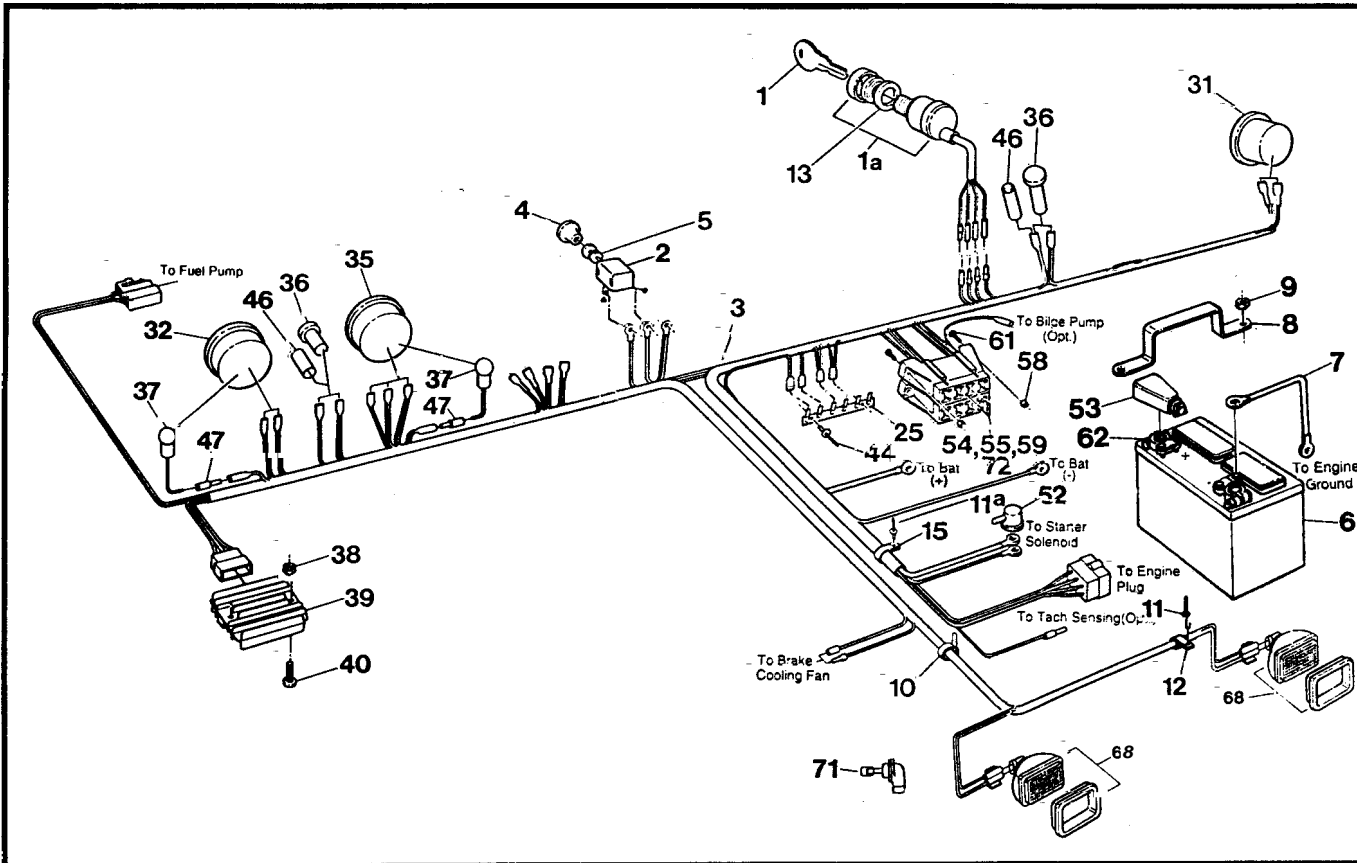
Ref	Qty	Part No.	Description
1	1	804-90	Frame Asm
2	4	605-69	Gasket - Bearing Extension
3	80	117-15	Nut, Fin Hex 3/8-16 Zinc
4	16	108-46	Washer .40x1.37x.12 Hi-Carbon
5	12	101-35	Bearing, Ball - 1.25
5a	8	101-41	Bearing, Ball - 1.0
6	82	108-06	Lockwasher 3/8
7	30	103-88	C/Bolt 3/8-16x1.0 Gr5 Zc
8	12	605-99	Gasket, Flange - Inner
9	12	605-89	Gasket, Flange - Outer
10a	16	605-63	Flange - 4 hole
10b	12	101-20	Flange, Greasable - 4 hole
11	8	102-14	Seal, Oil
12	8	102-15	Seal, Oil
13	8	605-97	Flange Asm, Outer (incl. Refs. 11 & 12)
14	16	112-39	C/Bolt 3/8-16x1.75 Gr5 Zc
15	16	103-67	C/Bolt 3/8-16 x 6 Gr2 Zc
16	4	810-36	Bearing Extension
17	24	108-34	Washer .47x.94x.06 Zinc
18	24	103-81	HHCS 7/16-20x2.5 Gr5 Zc
19	5x8	103-80	Stud, Wheel 7/16-20x1.125 #B271, (see Refs. 20, 21)
20	4	810-73	Axle Asm - Front/Rear (incl. Ref. 19)
21	4	810-75	Axle Asm - Mid (incl. Ref. 19)
22	2	810-45	Shaft, Idler - 11T
23	1	604-84	Frame Asm, Battery
24	6	810-28	Sprocket, Double - 24T
25	8	810-29	Sprocket, Double - 19T
26	10	112-03	SHSS 5/16-18x3/8 1/2 DOG, PL
27	2	803-17	Chain, Idler RC50-2x40P (incl. Ref. 53)
28	4	117-64	Insert, 1/4-20
29	8	112-31	HHCS 3/8-16x1.0 2B Gr8 Zc
30	2	112-14	HHCS 3/8-16x.75 Gr5 Zc
31	1	108-15	Washer .42x.81x.05 Zc
32	2	103-82	HHCS 3/8-16x1.5 Gr5 Zc
34	2	120-15	Rivet 1/8x7/16
35	1	126-11	Spring
43	2	603-17	Chain, RC50-2 x 42P-Front (incl. Ref. 53)
44	2	603-20	Chain, RC50-2 x 70P-Mid (incl. Ref. 53)
45	4	603-21	Chain, RC50-2 x 96P-Rear (incl. Ref. 53)
46	5x8	117-35	Nut, Wheel 7/16-20 Zc
47	8	125-26	Valve
48	8	125-13C	Rim, Charcoal
49	8	126-96	Tire, Goodyear Runamuk 22x10-8
53	1x10	100-96	Con. Link, RC50-2 H.D.
55	1x6	125-61	Spring
56	2x6	603-61	Slider Block
57	1x6	125-78	Spring
58	1x6	603-77	Arm, Chain Tensioner - Upper
59	1x6	603-76	Arm, Chain Tensioner - Lower
60	1x6	100-01	Pin, Cotter 1/8x1.50 Zc
61	1x6	603-78	Pin, Pivot
62	1x6	603-66	Spacer, .500 ID x .625 LG
63	6	647-10	Chain Take-up Replacement Kit (incl. Refs. 55 thru 62 as shown)

8.0 Fuel System & Seat Assembly Conquest Parts Manual



Conquest Parts Manual 8.0 Fuel System and Seat Assembly

Ref	Qty	Part No.	Description
1	1	803-50	Handrail Assembly
2	4	108-03	Lockwasher 1/4
3	6	112-41	PHMS, PHIL 1/4-20x1.25 Zinc
4	1	608-39	Back Pad Asm
5	1	608-43	Seat, Bench
6	1	608-30	Angle, Left
7	1	608-31	Angle, Right
9	6	112-04	HHCS 1/4-20x3/4 Gr2 Zc
10	6	108-03	Lockwasher 1/4
13	1	804-17	Frame Asm, Seat
16	2	120-04	Washer .19x.50x.08 Zinc
17	1	608-32	Tool Box
18	1	608-28	Pickup Assembly, Fuel (See Ref. 19)
19	1	608-24	Tank, Fuel - 32 litre (incl. Ref. 18)
20	6	100-70	Clamp, Gear 1/2" HF4
21	1	608-42	Fuel Hose - 110"
22	1	125-64	Fuel Filter
23	2	100-12	Clamp, Gear 2.25" HF-36
24	1	125-94	Hose, Filler
25	1	126-47	Neck Asm, Fuel
26	1	126-46	Cap, Fuel
27	1	127-21	Hose, Vent - 86"
28	1	126-50	Male Connector, 1/4"
29	5	126-94	Clamp, Nylon Wire - 1/4"ID
30	6	112-04	HHCS 1/4-20x3/4 Gr2 Zc
31	12	117-10	Locknut, Nylon #10-24 Zc
33	3	126-93	Clamp, Nylon Wire - 1/2"ID
34	4	108-08	Washer .28x.62x.04 Zinc
35	7	120-09	Rivet 3/16x1 - Black
37	4	702-06	Foam Cushion
38	1	117-54	Nut, Locking PAL 1/2-20 Zc
39	12	112-07	RHMS 10-24~1.25 Zc
40	12	108-42	Washer .21x1.0x.06 Zinc
41	1	49040-2065	Pump, Fuel
43	2	117-27	Locknut, Nylon 1/4-20 Zc



Ref	Qty	Part No.	Description
1	1	100-39A-1	Key
1 a	1	127-17	Switch, Ignition - Conquest (incl. Ref. 1)
2	1	100-62	Switch, Light
3	1	613-61	Wire Harness - Conquest (incl. Fuse Holders)
4	1	126-76	Knob, Light
5	1	108-55	Lockwasher 7/16 External Tooth
6	1	127-54	Battery, Exide 45-50
7	1	613-14	Wire, Ground - 14"
8	1	604-52	Bracket, Battery Retaining
9	2	117-21	Locknut, Nylon 5/16-18 Zc
10	8	100-64	Tie Wrap, 5.5" - Black
11	10	120-09	Rivet 3/16x1 - Black
11 a	6	120-13	Rivet 3/16x5/8 - Black
12	16	126-93	Clamp, Nylon Wire-1/2" ID
13	1	108-57	Lockwasher 3/4 Internal Tooth
15	5	127-24	Clamp, Nylon - 1" ID
25	1	613-37	Terminal Strip, Ground
31	1	632-15	Hourmeter
32	1	633-10	Voltmeter
35	1	634-22	Gauge, Water Temperature
36	2	634-08	Light, Indicator
37	2	634-10	Light Kit, #06215-00
38	2	117-27	Locknut, Nylon 1/4-20 Zc
39	1	21066-2070	Regulator, Voltage
40	2	103-63	PHMS, PHIL 1/4-20x1.0 Zc
44	2	120-15	Rivet 1/8x7/16
46	2	118-48	Heat Shrink, 2 x 1/2
47	2	118-02	Terminal, Male #76-1251
52	1	613-46	Terminal Insulator (2 ga.)
53	1	127-55	Cap, Battery Terminal
54	1	118-53	Fuse, 20A 2 prong (AT020)
55	2	118-49	Fuse, 15A 2 prong (AT015)
58	4	117-10	Locknut, Nylon #10-24 Zc
59	3	118-52	Fuse, 10A 2 prong (AT010)
61	4	103-25	PHMS #10-24x3/4 Zc
62	2	127-56	Terminal, Battery Post
68	2	613-62	Headlamp Asm
71	2	127-46	Bulb, Headlight - Halogen
72	1	118-51	Fuse, 30A 2 prong (AT030)

ARGO Products Manufactured by:

Ontario Drive & Gear Limited

P.O. Box 280,220 Bergey Court

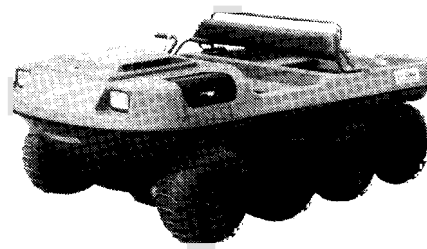
New Hamburg, Ontario

Canada NOB 2G0

Phone: (519) 662-2840

Fax: (519) 662-2421

ODG *Dedicated to quality and performance*



ARGO

CONQUEST

PARTS MANUAL

**Model Nos. V899-37 &
V899-38**

From Serial #CB16049

Foreword

ODG has prepared this parts manual for the CONQUEST model to assist both qualified mechanics and vehicle owners in ordering correct, quality replacement ARGO parts.

Proper and regular service, and replacing old, worn or broken parts with the correct ARGO replacement parts, are both essential to prolonging the life of the ARGO. Please refer to this parts manual before ordering any replacement part.

All information contained in this CONQUEST Parts Manual is based on the latest product specification available at time of printing. If your CONQUEST differs from the specifications contained in this manual, contact Ontario Drive & Gear Limited for information.

ODG reserves the right to alter specifications on the CONQUEST model at any time, without obligation or prior notification.

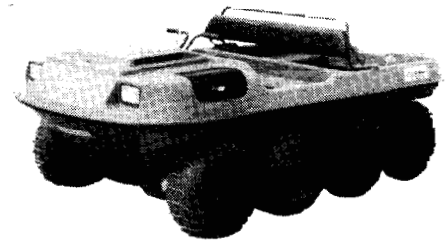
Reproduction of this CONQUEST Parts Manual, in whole or in part, is prohibited without prior written permission from Ontario Drive & Gear Limited.

Model Identification

CONQUEST - Model Nos. V894-37 and V894-38

Explanation of Parts Manual Format

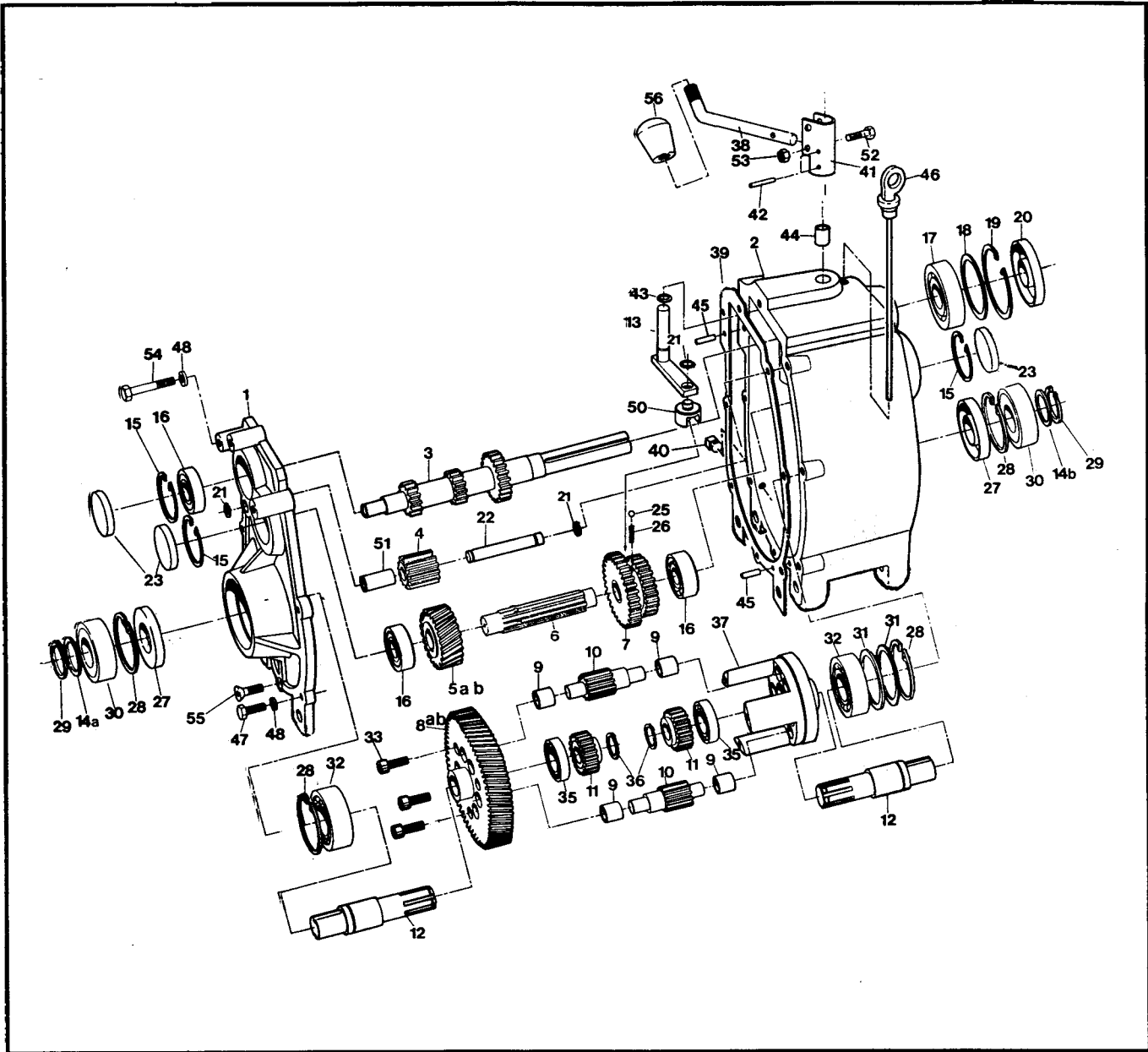
- Ref** - Reference number between assembly diagram and component parts list
- Part No.** - Argo replacement part number for identification and re-ordering
- Description** - Part description for identification and re-ordering
- Qty** - Indicates the quantity of a part used in an Assembly



Using the Parts Manual

- 1 Find the major vehicle assembly in the Table of Contents on this page, and turn to that section.
2. Locate the part in the illustration that you wish to order.
3. Refer to the parts list in that section.
4. Find the correct part number (Part No.), part description (Description) and correct quantity (Qty).
- 5 Use *only* this information to order ARGO replacement parts. *DO NOT* attempt to order a replacement part by reference number or page number.

Foreword..	i
Model Identification ..	i
Using the Parts Manual ..	ii
1.0 Transmission ..	1
2.0 Intake and Exhaust System ..	3
3.0 Clutch System ..	3
4.0 Power Pack Assembly ..	5
5.0 Brake System - Hydraulic ..	7
6.0 Vehicle Body & Firewall ..	9
7.0 Frame & Drive System ..	11
8.0 Fuel System & Seat Assembly ..	13
9.0 Electrical System ..	15

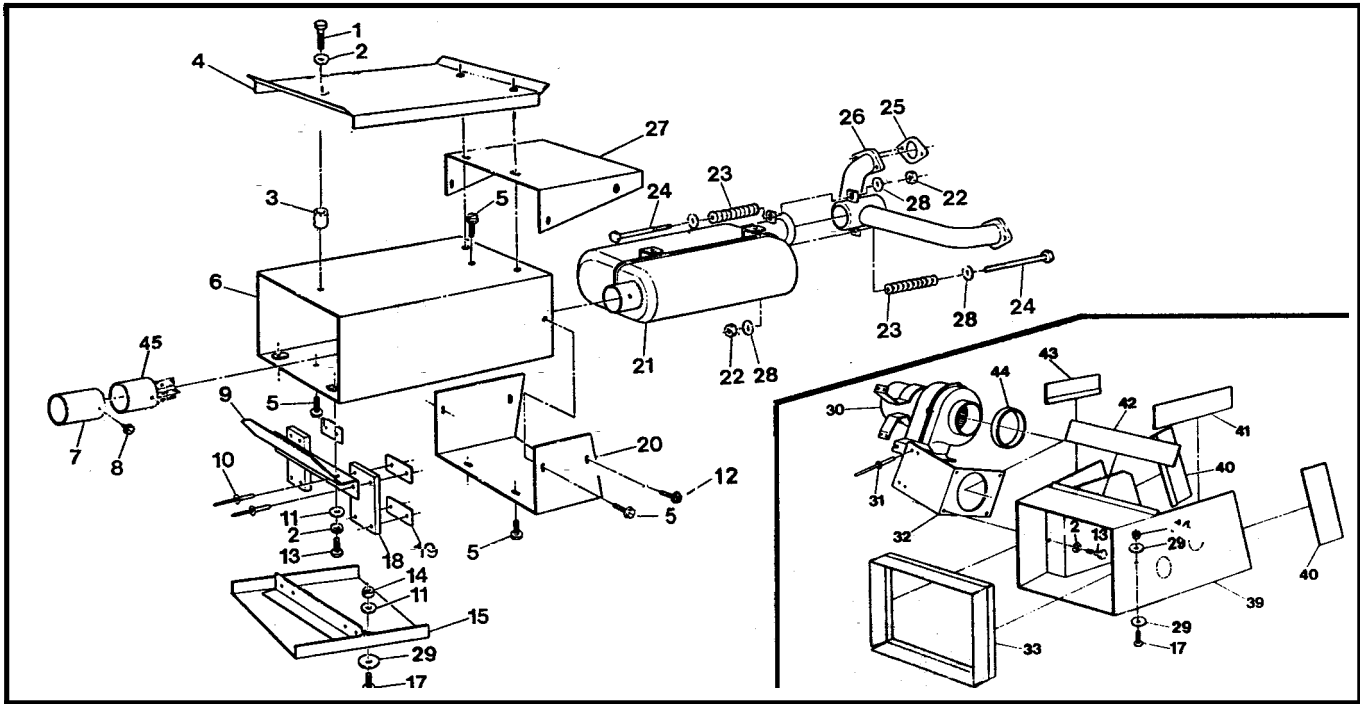


Conquest Parts Manual

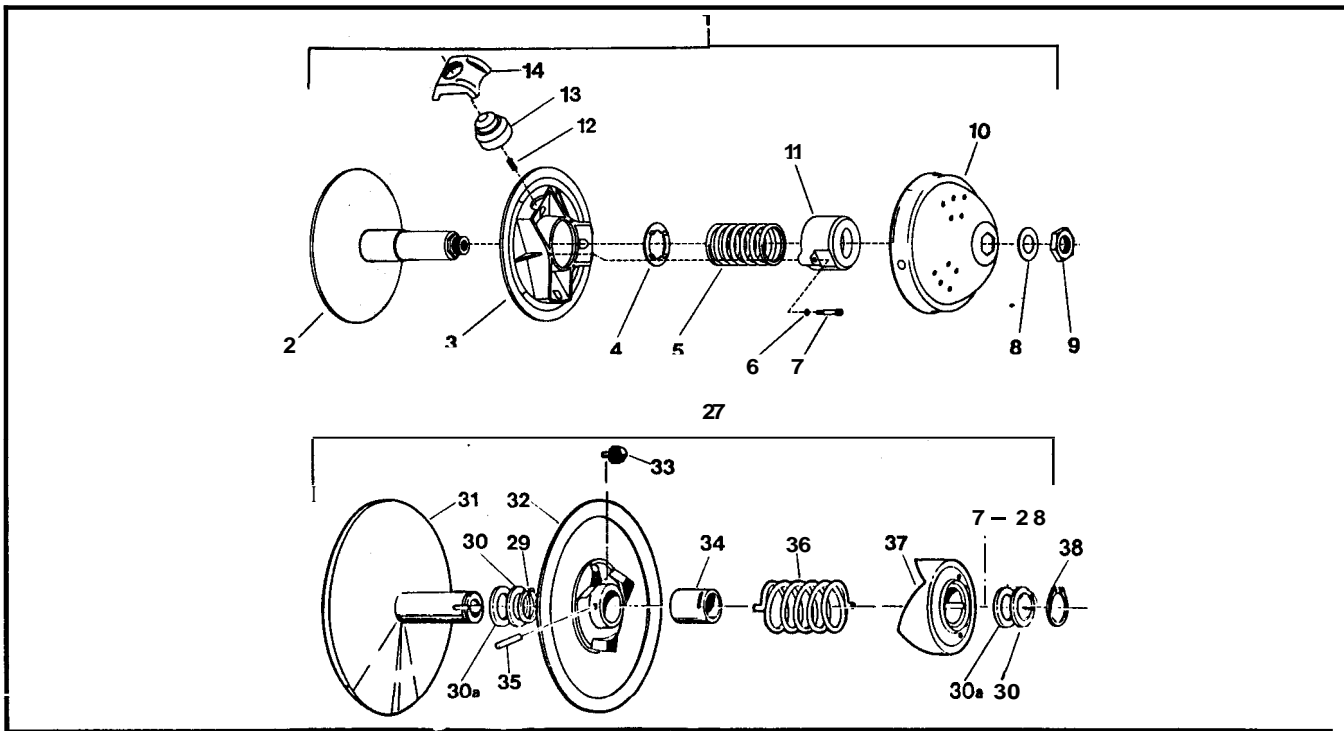
1.0 Transmission

Ref	Qty	Part No.	Description
		510-17MU	Transmission Asm - MU, does not include Refs 38, 52, 53 & 56, uses Refs 5a & 8a
		310-17GU	Transmission Asm - GU, does not include Refs 38, 52, 53 & 56, uses Refs 5b & 8b
1	1	34-68	Cover, Transmission
2	1	34-99	Housing, Transmission
3	1	34-21	Shaft, Input - 13/21T
4	1	34-16A	Gear, Idler - 13T (incl. Ref 51)
5a	1	34-95	Gear, Helical - 24T - M
5b	1	34-97	Gear, Helical - 21T - G
6	1	34-94	Shaft, Spline
7	1	34-91	Gear, Double - 26/33T
8a	1	34-22	Gear Plate - 73T - M
8b	1	34-45	Gear Plate - 76T - G
9	12	105-03	Bushing, Oilite - 1/2 x 3/4
10	6	34-13	Gear, Planet - 12T
11	2	34-14	Gear, Sun - 21T
12	2	34-81	Shaft, Output
13	1	34-65	Shifter Asm.
14a	1	114-04	Washer, Shim .040 Thk
14b	1	114-05	Washer, Shim .020 Thk
15	3	106-01	Retaining Ring
16	3	101-01	Bearing, Ball 6204Z-C3
17	1	101-16	Bearing, Ball 6206-C3
18	as req.	114-02	Washer, Shim 2.06x2.42x.02
19	1	106-05	Retaining Ring
20	1	102-05	Seal, Oil WBS 30x62x10
21	3	107-05	Retaining Ring
22	1	34-11	Pin, Dowel 1/2 x 3.50
23	3	31-07	Plug Plate
25	1	109-05	Ball, Steel 6mm 62-67 Rc
26	1	34-32	Spring, Compression - 7/32x.50
27	2	102-03	Seal, Oil WBS 30x72x10
28	4	106-03	Retaining Ring
29	2	107-02	Retaining Ring
30	2	101-05	Bearing, Ball 6306-2NSE C3
31	2	114-01	Washer, Shim 2.25x2.81x.02
32	2	101-03	Bearing, Ball 6207-C3
33	3	103-04	SHCS 5/16-18x1.0 Bare
35	2	101-15	Bearing, Ball 6005-C3
36	2	107-04	Retaining Ring
37	1	34-08	Cage
38	1	610-77	Lever, Shift
39	1	34-47	Gasket, Cover - 1/64" Thk
40	1	103-02	Plug, Magnetic 3/8-18 NPT
41	1	34-86	Holder, Shift Lever
42	2	111-01	Pin, Spring 5/32x1.0
43	1	113-01	O-Ring
44	1	105-02	Bushing, Oilite - 1/2 x 1.0
45	2	104-03	Pin, Dowel 1/4 x 7/8
46	1	34-77	Dipstick, with breather
47	4	103-06	HHCS 5/16-18x1.0 GR5 Zc
48	7	108-05	Lockwasher 5/16
50	1	34-63	Shift Yoke
51	1	105-05	Bushing, Oilite - 1/2 x 1.5 (in Ref. 4)
52	1	103-97	HHCS 1/4-20x1.25 GR5 Zc
53	1	117-27	Locknut, Nylon 1/4-20Zc
54			See Section 4.0 Power Pack Assembly
55	1	103-95	FHSC 5/16-18x1.0 GR8 Zc
56	1	126-38	Knob, Shift

2.0 Intake and Exhaust System Conquest Parts Manual



3.0 Clutch System

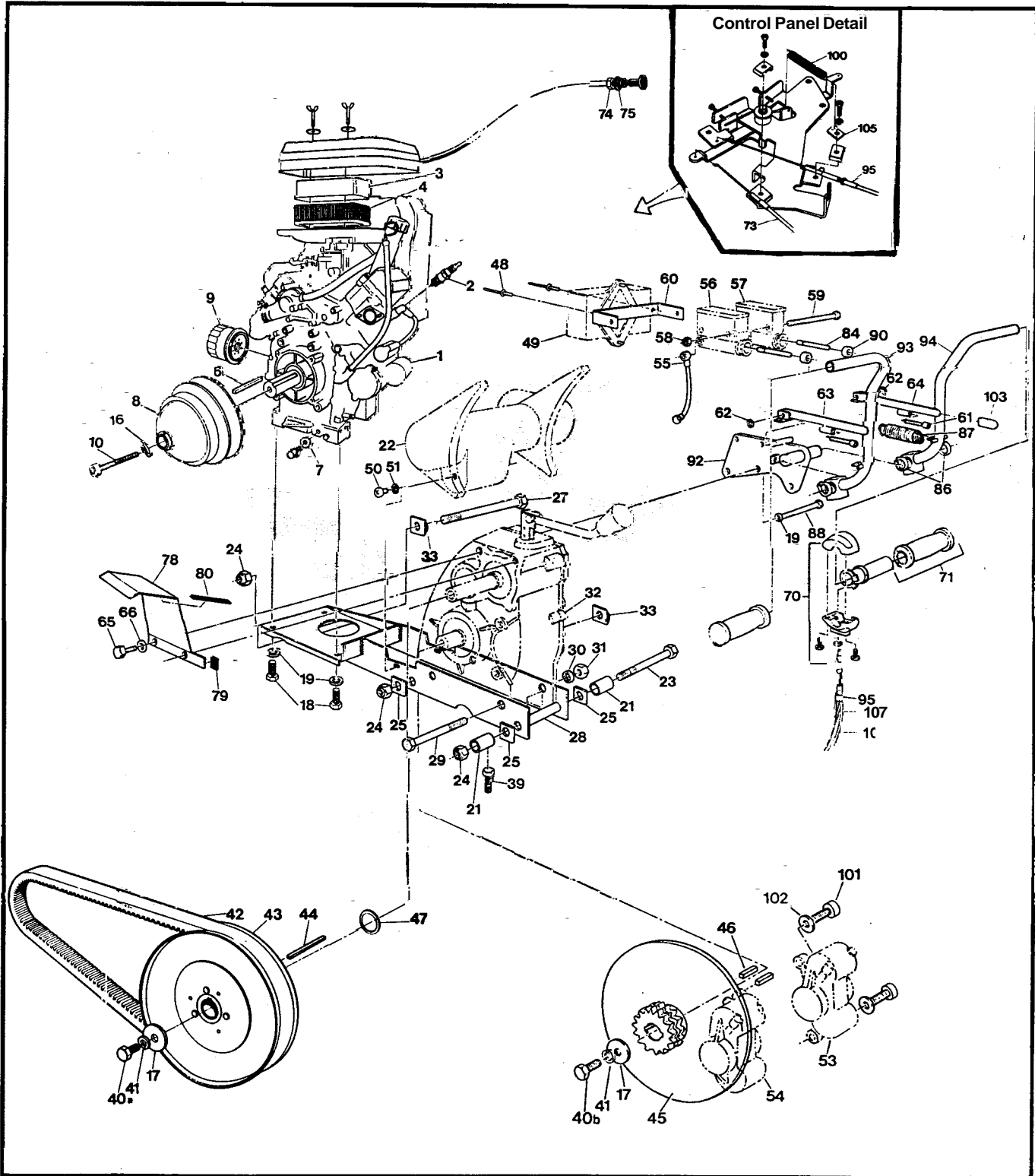


Conquest Parts Manual 2.0 Intake and Exhaust System

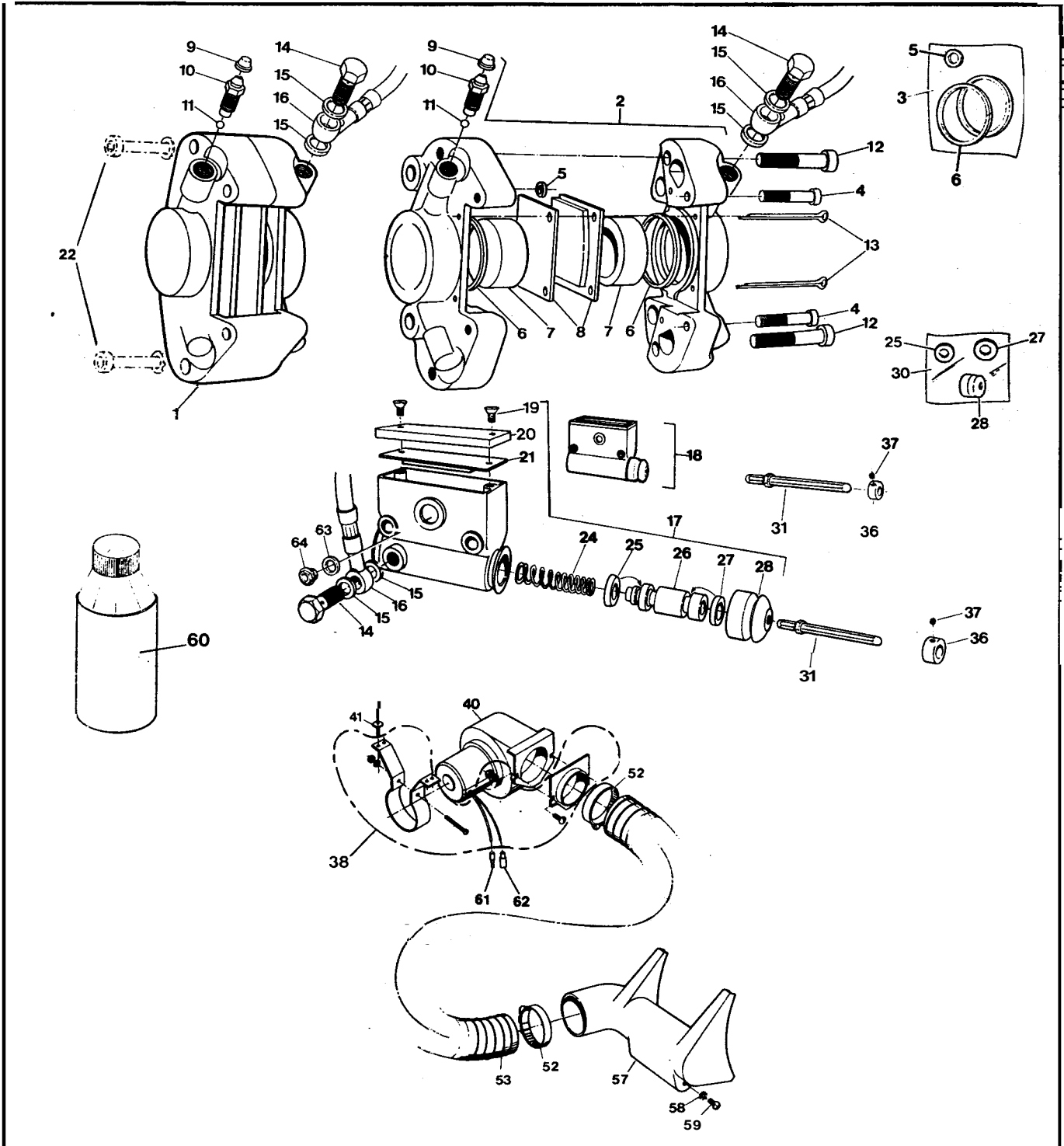
Ref	Qty	Part No.	Description	Ref	Qty	Part No.	Description
1	3	103-97	HHCS 1/4-20x1.25 Gr5 Zc	22	2	117-25	Nut, Conelock 5/16-18
2	9	108-03	Lockwasher 1/4	23	2	100-10	Spring, Compression
3	3	807-71	Spacer	24	2	112-18	SHCS 5/16-18x2.25
4	1	807-72	Shield, Heat	25	2	11060-2079	Gasket, Muffler
5	7	112-19	Screw IHWH T/C 1/4-20x1/2	26	1	807-66	Manifold Asm
6	1	807-41	Shield Asm, Muffler	27	1	807-38	Cover, Manifold
7		807-75	Pipe, Muffler Outlet	28	4	108-24	Washer .34x.70x.06 Zc
8	1	112-43	Screw, IHWH #8x3/8	29	8	108-01	Washer, Fender 1/4 BSx1.25OD
9	1	807-43	Support, Upper	30			See Section 5.0 Brake System
10	8	120-09	Rivet 3/16x1 - Black	31	4	120-13	Rivet 3/16x5/8 - Black
11	4	108-08	Washer .28x.62x.04 Zinc	32	1	807-68	Bracket Asm, Fan
12	2	103-48	T/S Pan Hd. Phil #10x5/8	33	1	603-87	Seal, Radiator
13	6	112-04	HHCS 1/4-20x3/4 Gr2 Zc	39	1	807-35	Duct Asm, Intake
14	5	117-27	Locknut, Nylon 1/4-20 Zc	40	2	603-88C	Seal 9.62"
15	1	807-49	Support, Lower	41	1	603-88B	Seal 8.49"
17	5	103-63	PHMS, PHIL 1/4-20x1.0 Zc	42	1	603-88D	Seal 11.66"
18	2	126-07	Support, Flex	43	1	603-88A	Seal 7.09"
19	4	807-69	Washer, Special	44	1	602-33	Vinyl Trim - 9.8"
20	1	807-70	Cover, Lower	45	1	807-67	Spark Arrester
21	1	807-42	Muffler Asm - Conquest				

3.0 Clutch System

Ref	Qty	Part No.	Description
1	1	127-71	Clutch, Driver - Keyed (incl. Refs 2 to 14)
2	1	0405-0020	Pulley, Half - Fixed
3	1	0410-0006	Pulley, Half - Sliding
4	1	V09	Plate, Spring Guide
5	1	V10-48-105-17	Spring
6	3	420-2453-700	Lockwasher
7	3	222-9640-66	SHCS
8	1	0080-0153	Washer, Zc
9	1	0080-0100	Nut
10	1	0115-0003(A)	Cap
11	1	0440-0001	Cover, Spring
12	3	C24-L1	Spring, Anti-noise
13	3	C13-266T	Weight, 266g
14	3	0130-3002	Block, Red
27	1	126-24	Clutch, Driven - Model "B" (incl. Refs 28 to 37)
28	1	ASK-5	Key 1/4x1/4x5/8
29	1	ASR-6	Retaining Ring
30	as req	ASA-1-S	Spacer .025" Thick
30a	as req	ASA-1	Spacer .050" Thick
31	1	AFK25.4-250OD01	Pulley, Half - Fixed
32	1	AMC-2-250OD01	Pulley, Half -Sliding incl. Refs. 33, 34 & 35
33	3	ANS-2-T	Shoe, Cam
34	1	AMB-2	Bushing, Bronze
35	1	111-01	Pin, Spring 5/32x1.0
36	1	ACS-3-188	Spring, Blue
37	1	AFC-4-C3D4	Cam
38	1	371-9031-000	Retaining Ring

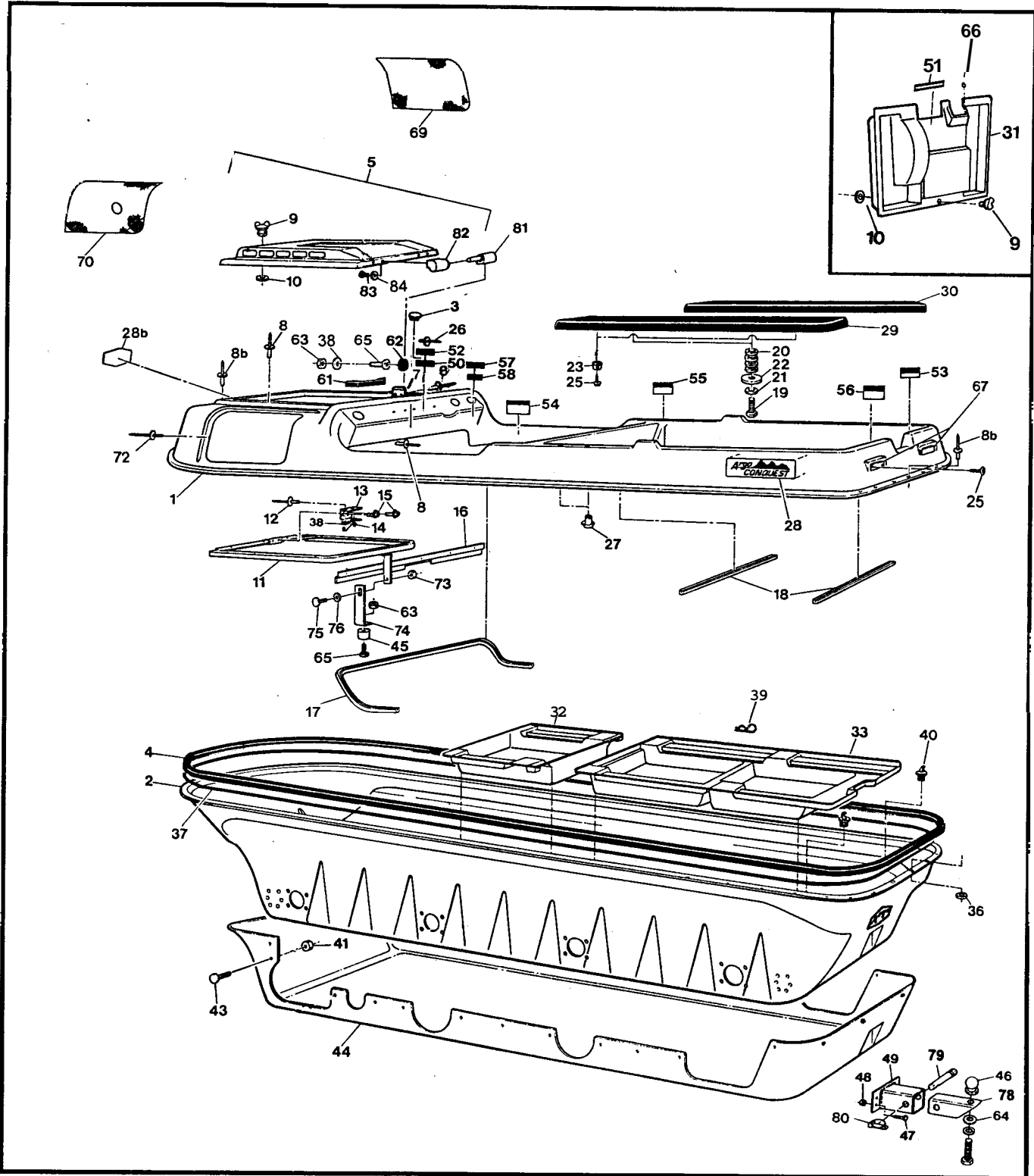


Ref	Qty	Part No.	Description	Ref	Qty	Part No.	Description
1	1	FD620D-GS12	Engine - Kawasaki, (incl. Refs. 2, 3, 4, 7, 9, 49)	48	2	120-13	Rivet 3/16x5/8 - Black
2	2	92070-2072	Sparkplug, BMR4A	49	1	21119-2121	Igniter
3	1	11013-2114	Element, Air Filter - Foam	50 to 57			See Section 5.0 Brake System
4	1	11013-2139	Element, Air Filter - Paper	58	2	117-27	Locknut, Nylon 1/4-20 Zc
6	1	110-13	Key 1/4x1/4x2.25	59	2	103-66	HHCS 1/4-20x4.0 Gr5 Zc
7	1	11009-2566	Gasket, Drain Plug	60	1	610-75	Bracket, Igniter
8			See Section 3.0 Clutch System	61	2	103-69	SHCS 1/4-20x1.5 Zc
9	1	127-68	Filter, Oil	62	2	113-02	O-Ring
10	1	112-15	SHCS M10x1,5x90mm	63	1	810-20	Lever Asm, Brake - LH
16	1	108-54	Lockwasher, Hi-Collar - M10	64	1	810-21	Lever Asm, Brake - RH
17	3	108-18	Washer .40x1.37x.12 Zc	65	2	103-17	HHCS 3/8-16x1.0 Gr5 Zc
18	4	112-30	SHCS M8x1,25x20mm Zc	66	2	108-26	Washer 3/8 Zc
19	7	108-05	Lockwasher 5/16 Zc	70	1	100-57	Throttle Twist Grip
21	2	811-14	Spacer	71	2	127-35	Grip, Molded
22			See Section 5.0 Brake System	73	1	812-29	Cable Asm, Choke - Conq.
23	1	112-57	HHCS 5/8-11x10.0 Gr5 Zc	74	1	117-68	Nut, Jam 3/8-24 UNF Zinc
24	3	117-09	Locknut, Nylon 5/8-11 Zc	75	1	108-32	Lockwasher 3/8 Int. Tooth
25	3	311-09	Washer, Square - .64 ID	78	1	603-29	Guard, Belt Protect
27	2	112-58	HHCS 5/8-11x7.5 Gr5 Zc	79	1	601-92	Vinyl Trim - 1.5"
28	1	311-30	Frame, Powerpack - Conq.	80	1	601-93	Vinyl Trim - 4.25"
29	2	103-20	HHCS 1/2-13x6.5 Gr5 Zc	84			See Section 5.0 Brake System
30	2	108-07	Lockwasher 1/2	86	4	106-07	Retaining Ring
31	2	117-06	Nut, Fin Hex 1/2-13 Zc	87	2	127-33	Spring, Extension
32			See Section 1.0 Transmission	88	3	103-55	HHCS 5/16-18x2.75 Gr5 Zc
33	2	311-15	Washer, Square Lock .64 ID	90			See Section 5.0 Brake System
39	2	103-53	HHCS 3/8-16x3.0 Gr5 Full Thread	92	1	812-01	Bracket Asm, Steering
40a	1	103-34	HHCS 3/8-16x1.25 Gr5 Zc	93	1	812-27	Lever Asm, Steering - LH
40b	2	103-18	HHCS 3/8-24x1.25 Gr5 Zc	94	1	812-26	Lever Asm, Steering - RH
41	3	108-06	Lockwasher 3/8 Split Ring Zc	95	1	612-76	Cable Asm, Throttle
42	1	125-56	Drive Belt	100	1	127-11	Spring, Extension
43			See Section 3.0 Clutch System	101	4	103-41	SHCS 3/8-16x1.25 Zc
44	1	110-09	Key 1/4x1/4x3.0	102	4	108-23	Washer 3/8 SAE Gr8 - Dich.
45	2	810-01	Brake Disc #50-2x13T	103	2	126-89	Cap, Vinyl - Black
46	4	110-14	Key 1/4x1/4x1.25	105	1	601-86	Clip, Retainer
47	as req	108-36	Washer 1.03x1.37x.06 Zinc	107	1	100-64	Tie, Wrap - 5.5" - Black

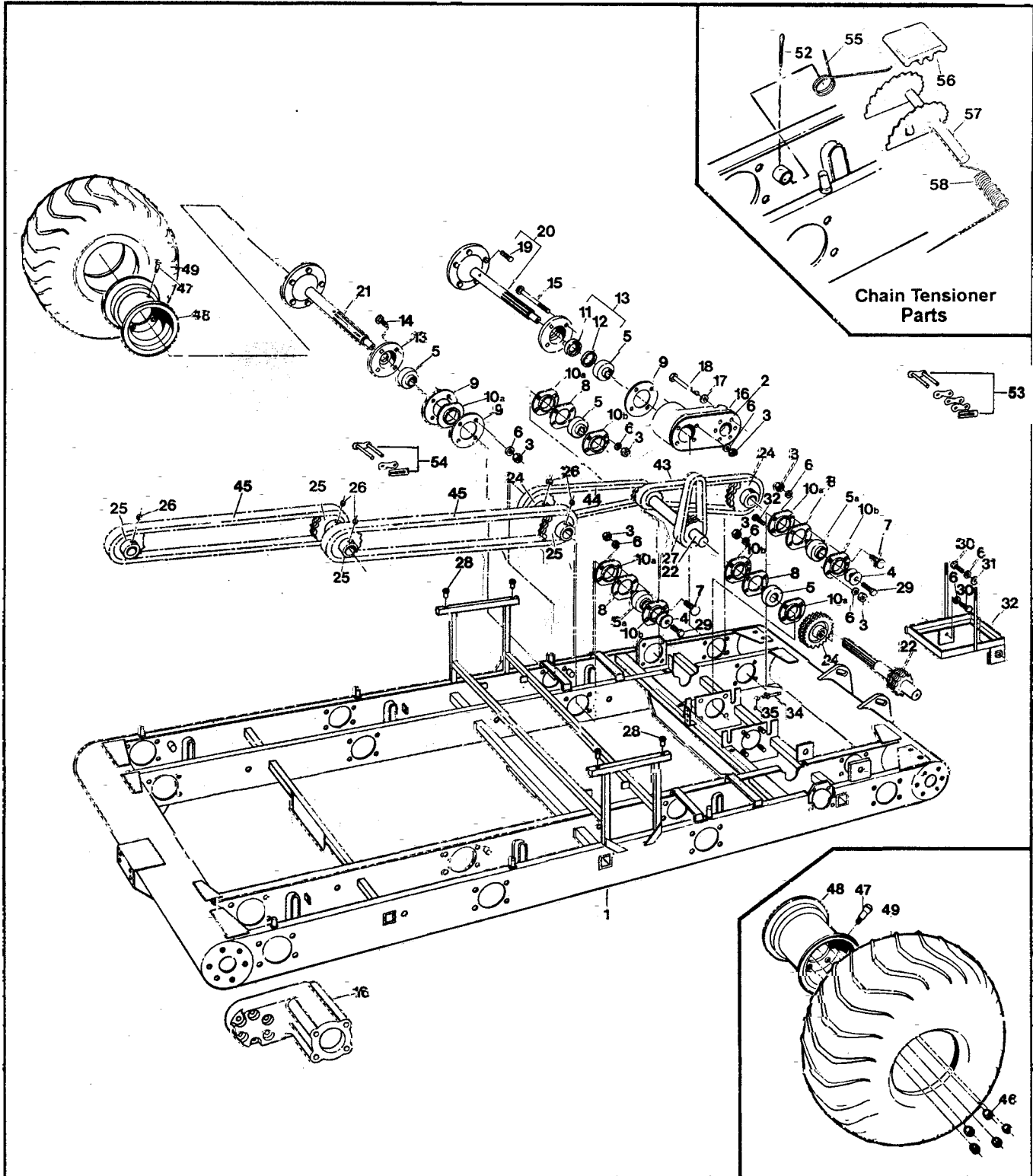


Conquest Parts Manual 5.0 Brake System - Hydraulic

Ref	Qty	Part No.	Description
1	1	166-01RM	Caliper, Brake - L w/o Pads (incl. Refs 5, 6, 7, 9 - 12)
2	1	166-02RM	Caliper, Brake - R w/o Pads (incl. Refs 5, 6, 7, 9 - 12)
3	2	161-01	O-Ring Kit, Caliper (incl. Refs 5 & 6)
4	2	160-40	SHCS M8x1,25x40 Zc
5	1		Seal, Rubber - 5mm (see Ref 3)
6	2		Seal, Piston - 41mm (see Ref 3)
7	2x2	168-05	Piston 41mm
8	1	170-02	Brake Pad Set (4) - Metallic (Asbestos-free)
9	1x2	168-20	Plug, Rubber
10	1x2	168-03	Screw, Bleeding M10x1,0
11	1x2	109-03	Ball, Steel - 7/32 Dia.
12	2x2	160-41	SHCS M10x1,5x50mm Zc
13	2x2	168-06	Pin, Cotter 3,2x50mm
14	4	160-44	Bolt, Banjo-M10x1,0x21,0 Zc
15	8	160-01	Washer, Copper-1,5x10,0x14,0
16	1x2	163-01	Hose Asm,Hydraulic-31Omm
17	1	165-06	Master Cylinder - left (incl. Refs 19 to 21, 24 to 28, 63 & 64)
18	1	165-05	Master Cylinder - right (incl. Refs 19 to 21, 24 to 28, 63 & 64)
19	2x2	160-42	FHMS M5x0,8x6mm
20	1x2	168-08	Cover
21	1x2	168-09	Cover, Rubber
22			See Section 4.0 Power Pack Assembly
24	1x2	162-02	Spring, Comp. 0.59x1.5
25	1x2		Seal, Primary, 19mm (See Ref. 30)
26	1x2	168-10	Piston 19mm dia.
27	1x2		Seal, Secondary, 19mm (See Ref. 30)
28	1x2		Boot, Rubber (See Ref. 30)
30	1x2	161-25	O-Ring Kit - Master Cylinder (incl. Refs 25, 27 & 28)
31	2	812-13	Pin Asm, Plunger-Adjustable
36	2	812-17	Collar
37	2	112-02	SHSS 10-24x1/4 Knurl Cup PT, PL
38		125-92	Adpt. & Mounting Kit - includes the following:
	1		Mounting Bracket
	1		Nut, #10-32
	1		Lockwasher, 3/16"
	1		Screw, #10-32x2"
	2		Nut, 1/4-20
	2		Lockwasher, 1/4"
	2		Screw, 1/4-20x5/8"
	1		Adaptor, 3" dia.
40	1	125-91	Blower Fan
41			See Section 2.0 Intake and Exhaust System
52	2	125-35	Clamp, Gear 3.50" HF-52
53	1	127-06	Hose, Intake - 3" dia. x 26"
57	1	126-36	Brake Cool Air Duct
58	2	108-56	Lockwasher 1/4 Ext. Tooth
59	2	103-96	PHMS, Phil 1/4-20x5/8 Zc
60		126-19	Fluid, Brake - Silicon Dot 5 - .35L
61	1	118-02	Terminal, Male #76-1251
62	1	118-03	Terminal, Female #76-1289
63	1x2	160-03	O-ring, Oil Window
64	1x2	168-14	Oil Window, Master Cylinder



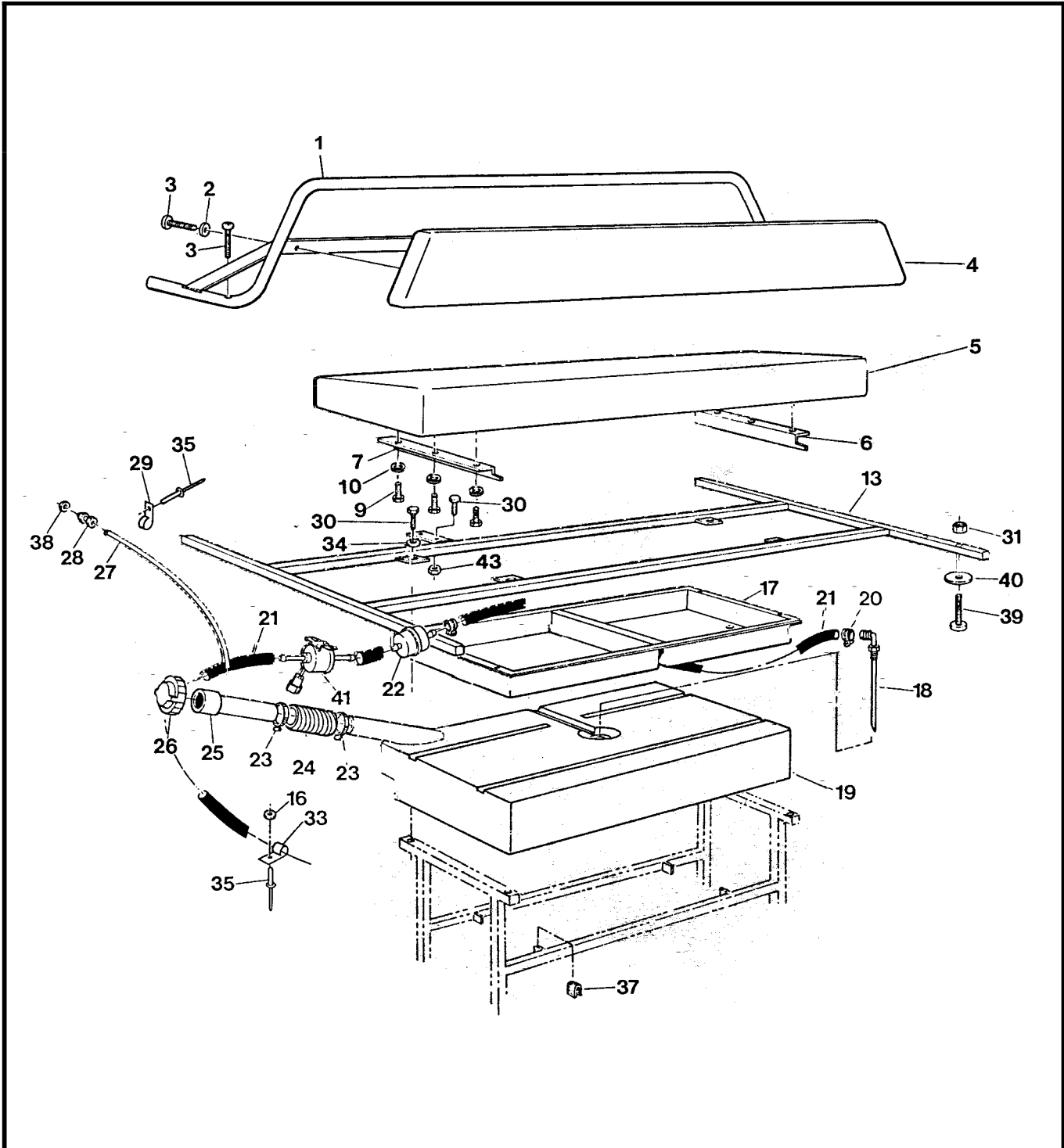
Ref	Qty	Part No.	Description	Ref	Qty	Part No.	Description
1	1	801-98	Body & Hood, Upper - Conq, (spec. colour) (incl. Ref 5, 11, 12, 13, 14, 15)	40	2	100-18	Plug, Drain 5/8"x13/32"
2	1	801-48BL	Body, Lower - Conq, (spec. colour)	41	32	120-28	Collar, Magna Grip
3	1	127-28	Plug, Nylon - Black	43	32	120-27	Pin, Magna Grip
4	1	801-05	Bumper, Vinyl - 8x8	44	1	863-11	Skid Plate, 8x8 - Black
5	1	602-34	Hood Kit - Conq, (spec. colour) (incl 7, 8, 9, 10, 81, 82, 83, 84)	45	1	126-88	Bumper, Rubber
7	1	602-38	Clip, Hood	46	1	100-61	Coupler Ball (c/w Bolt+Wshr)
8	23	120-13	Rivet 3116x5/8 - Black	47	4	103-61	HHCS 3/8-24x1.5 Gr5 Zc
8b	63	120-09	Rivet 3116x1 - Black	48	4	117-24	Locknut, Nylon 3/8-24 Zc
9	2	126-10	Wing Stud	49	1	616-16	Hitch Assembly
10	2	126-09	Grommet, Alum.	50	1		Vehicle ID Plate, Alum.
11	1	602-24	Frame Asm, Hood	51	1	126-65	Plate, Shifting
12	2	120-15	Rivet 1/8x7/16	52	1	127-26	Plate, Steering Lever+Winch
13	1	601-69	Spring Plate	53	1	126-67	Plate, Floor Pan
14	1	126-11	Spring	54	1	126-68	Plate, Operation
15	2	103-72	Screw, IHWH TIC Slot 1/4-20x3/4	55	1	126-69	Plate, Fuel
16	1	602-29	Brace, Dash	56	1	127-76	Plate, Cap. Land/Water
17	1	601-08	Trim, Vinyl - 84"	57	1	126-72	Plate, Holding Brake
18	2	601-09	Trim, Vinyl - 28"	58	1		U.S. Plate, Non-U.S.Argos only
19	4	112-04	HHCS 1/4-20x3/4 Gr2 Zc	61	1	125-41	Handle, Dash (incl. 62)
20	16	108-25	Washer 31x.75x.06 Zc	62	2		Plug Cap, (avail. only with 61)
21	4	108-03	Lockwasher 1/4	63	3	117-10	Locknut, Nylon#10-24 Zc
22	4	801-41	Washer, Seat	64	1	108-53	Washer .81x1.5x.12 Zinc
23	4	126-79	Bumper, Plastic- Black	65	3	103-25	PHMS#10-24x3/4 Zinc
25	8	103-48	T/S Pan HD PHIL#10x5/8	66	1	125-84	Grommet, Rubber
26	26	120-24	Rivet, 3132x318 Alum. (all plates)	67	2	127-01	Reflector, Red
27	4	117-44	T-Nut 1/4-20 Zinc	69	1	807-73	Screen, Intake - Conquest
28	2	127-27	Nameplate - Conquest	70	1	807-74	Screen, Exhaust - Conquest
28b	1	601-44	Nameplate - Argo	72	28	120-11	Rivet 5/32 x 9/16 - Black
29	1	801-03	Seat, Rear LH - 8x8	73	1	117-15	Nut, Fin Hex 3/8-16 Zinc
30	1	801-02	Seat, Rear RH - 8x8	74	1	602-27	Support, Adjustable
31	1	609-33	Firewall - Hydraulic Brakes	75	1	103-89	C/Bolt 318-16x314 Gr2 Zinc
32	1	803-02	Floor Pan - Front - (spec. colour)	76	1	108-06	Lockwasher3/8
33	1	803-03	Floor Pan - Rear - (spec colour)	78	1	616-19	Tube, Hitch
36	57	120-04	Washer .19x.50x.08 Zinc	79	1	104-13	Pin, Top Link
37	1	126-60	Vinyl Strip 1/2"x1/4"x37.5'	80	1	104-11	Pin, Lynch
38	4	120-05	Washer .19x.50x.04 Zc	81	2	127-45A	Pin, Hinge
39	6	100-16	Clip, Hitch Pin 1.625 Zc	82	2	127-45B	Knuckle, Hinge
				a3	8	103-47	HHCS 10-24x112
				84	8	108-59	Lockwasher#10 Int. Tooth Zinc



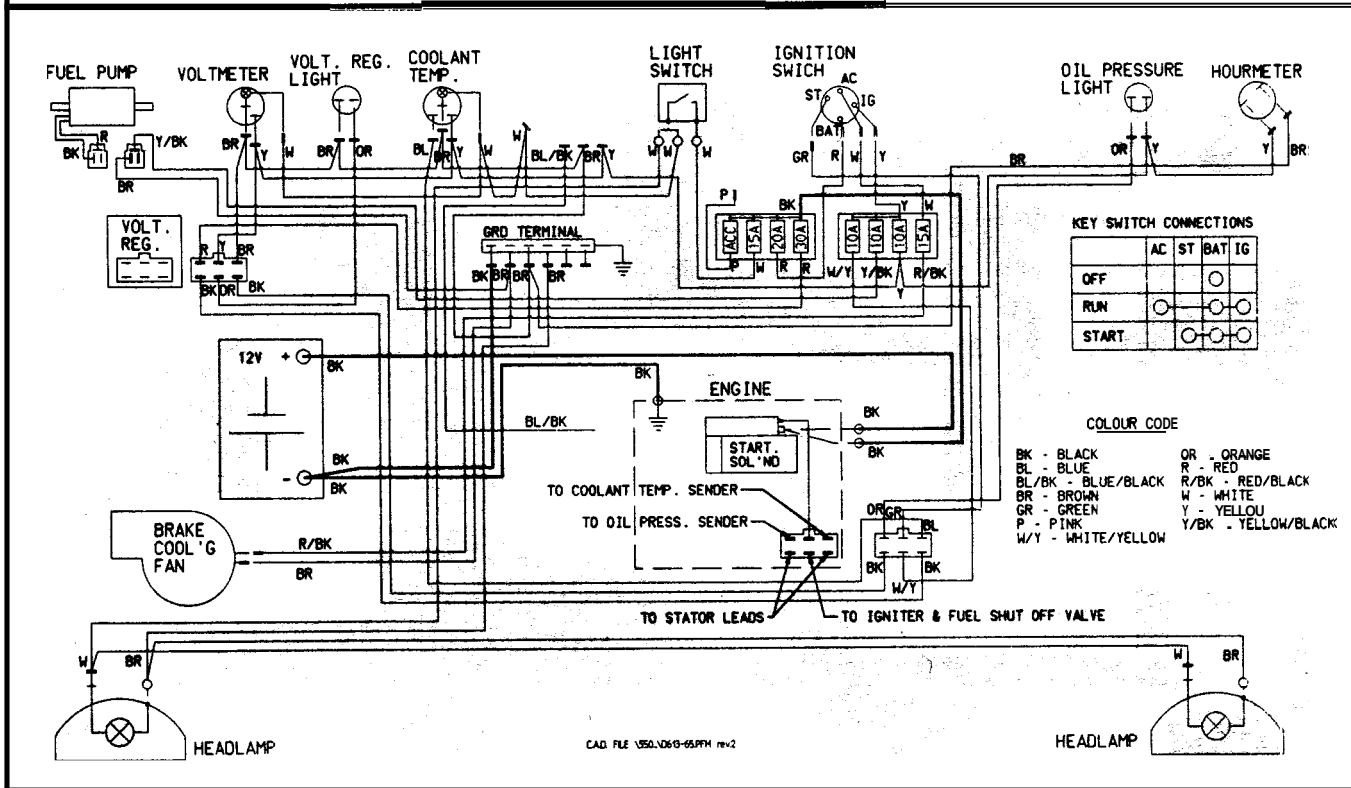
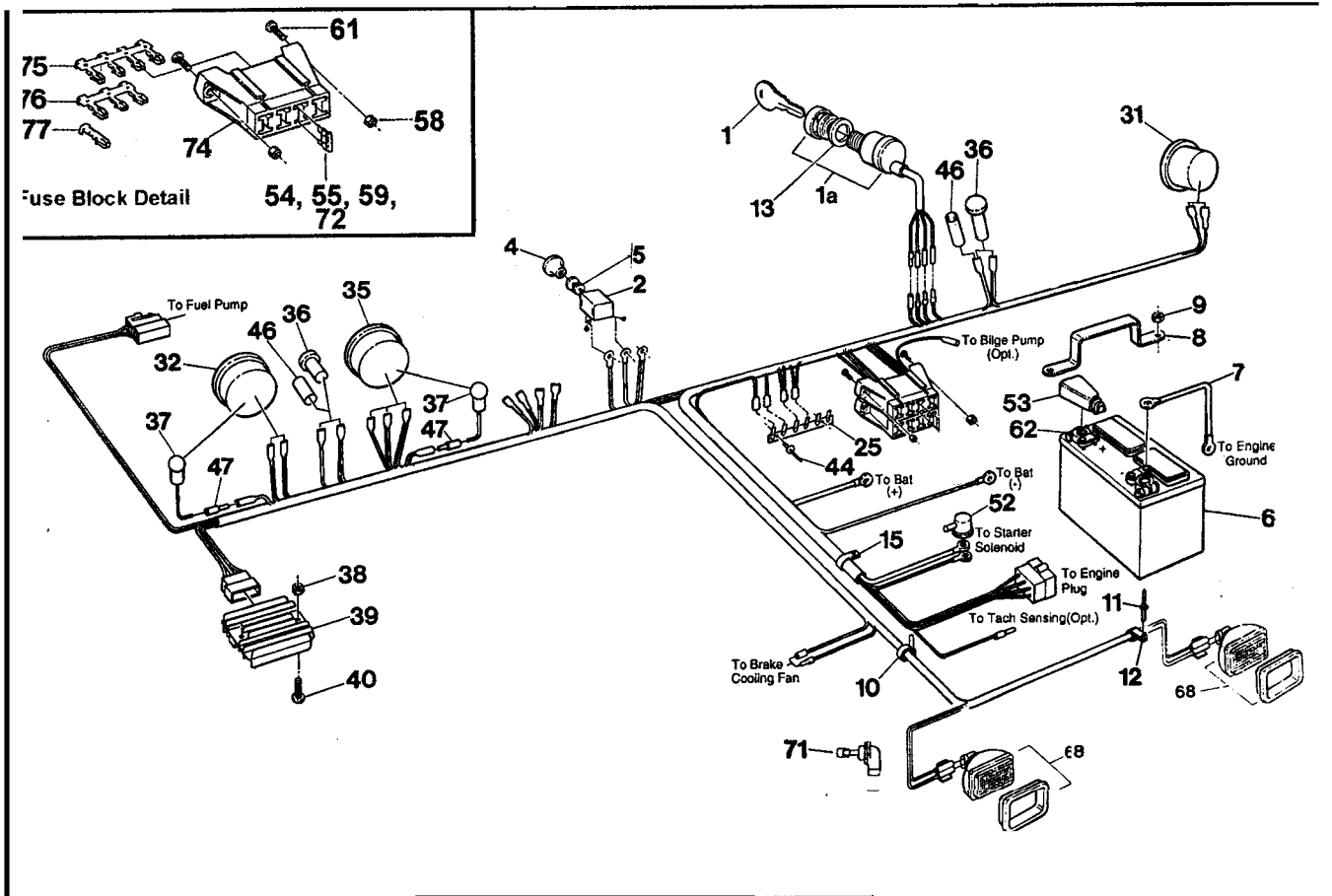
Conquest Parts Manuals 7.0 Frame and Drive System

Ref	Qty	Part No.	Description
1	1	806-00	Frame Asm - 8x8
2	4	605-69	Gasket - Bearing Extension
3	80	117-15	Nut, Fin Hex 3/8-16 Zinc
4	16	108-46	Washer .40x1.37x.12 Hi-Carbon
5	12	101-35	Bearing, Ball - 1.25
5a	8	101-41	Bearing, Ball - 1.0
6	82	108-06	Lockwasher 3/8
7	30	103-88	C/Bolt 3/8-16x1.0 Gr5 Zc
8	12	605-99	Gasket, Flange - Inner
9	12	605-89	Gasket, Flange - Outer
10a	16	605-63	Flange - 4 hole
10b	12	101-20	Flange, Greasable - 4 hole
11	8	102-14	Seal, Oil 1.25x1.75x0.188
12	8	102-15	Seal, Oil 1.25x1.874x0.25
13	8	605-97	Flange Asm, Outer (incl. Refs. 11 & 12)
14	16	112-39	C/Bolt 3/8-16x1.75 Gr5 Zc
15	16	103-67	C/Bolt 3/8-16 x 6 Gr2 Zc
16	4	810-36	Bearing Extension (uses Refs. 17 & 18)
17	24	108-34	Washer 7/16 SAE Zinc
18	24	103-81	HHCS 7/16-20x2.5 Gr5 Zc
19	5x8	103-80	Stud, Wheel 7/16-20x1.125 #B271
20	4	810-73	Axle Asm - Front/Rear (incl. Ref. 19)
21	4	810-75	Axle Asm - Mid (incl. Ref. 19)
22	2	810-45	Shaft, idler - 1I T
23	1	604-84	Frame Asm, Battery
24	6	810-28	Sprocket, Double - 24T
25	8	606-34	Sprocket, S60x19T
26	10	112-03	SHSS 5/16-18x3/8 1/2 DOG, PL
27	2	803-17	Chain, Idler RC50-2x40P (incl. Ref. 53)
28	4	117-64	Insert, 1/4-20
29	12	112-31	HHCS 3/8-16x1.0 2B Gr8 Zc
30	2	112-14	HHCS 3/8-16x.75 Gr5 Zc
31	1	108-15	Washer 3/8 SAE Zc
32	2	103-82	HHCS 3/8-16x1.5 Gr5 Zc
33	4	112-61	C/Bolt 3/8-16 x 1.25 Gr5 Zc
34	2	120-15	Rivet 1/8x7/16
35	1	126-11	Spring
43	2	603-17	Chain, RC50-2 x 42P-Front (incl. Ref. 53)
44	2	603-20	Chain, RC50-2 x 70P-Mid (incl. Ref. 53)
45	4	503-93	Chain, RC60-1x84P - Rear (incl. Ref. 54)
46	5x8	117-35	Nut, Wheel 7/16-20 Zc
47	8	125-26	Valve, Tire
48	8	125-13C	Rim - Charcoal
49	8	126-96	Tire, Goodyear Runamuk 22x10-8
52	6	100-01	Pin, Cotter 1/8x1.50 Zc
53	1x6	100-96	Con. Link, RC50-2 H.D.
54	1x4	603-84	Con. Link, RC60-1 H.D.
55	6	125-65	Spring Torsion - 1.16x0.35
56	6	606-39	Slider Block -1/2" Shaft
57	6	606-35	Tensioner Asm, Chain
58	6	127-64	Spring Torsion - .76x1.9

8.0 Fuel System & Seat Assembly Conquest Parts Manual



Ref	Qty	Part No.	Description
1	1	803-50	Handrail Assembly
2	4	108-03	Lockwasher 1/4
3	6	112-41	PHMS, PHIL 1/4-20x1.25 Zinc
4	1	608-39	Back Pad Asm
5	1	608-43	Seat, Bench
6	1	608-30	Angle, Left
7	1	608-31	Angle, Right
9	6	112-04	HHCS 1/4-20x3/4 Gr2 Zc
10	6	108-03	Lockwasher 1/4
13	1	804-17	Frame Asm, Seat
16	2	120-04	Washer .19x.50x.08 Zinc
17	1	608-32	Tool Box
18	1	608-28	Pickup Assembly, Fuel (See Ref. 19)
19	1	608-24	Tank, Fuel - 32 litre (incl. Ref. 18)
20	6	100-70	Clamp, Gear 1/2" HF4
21	1	608-42	Fuel Hose - 110"
22	1	125-64	Fuel Filter
23	2	100-12	Clamp, Gear 2.25" HF-36
24	1	125-94	Hose, Filler
25	1	126-47	Neck Asm, Fuel
26	1	126-46	Cap, Fuel
27	1	127-21	Hose, Vent - 86"
28	1	126-50	Male Connector, 1/4"
29	5	126-94	Clamp, Nylon Wire - 1/4"ID
30	6	112-04	HHCS 1/4-20x3/4 Gr2 Zc
31	12	117-10	Locknut, Nylon #10-24 Zc
33	3	126-93	Clamp, Nylon Wire - 1/2"ID
34	4	108-08	Washer .28x.62x.04 Zinc
35	8	120-09	Rivet 3/16x1 - Black
37	4	702-06	Foam Cushion
38	1	117-54	Nut, Locking PAL 1/2-20 Zc
39	12	112-07	RHMS 10-24x1.25 Zc
40	12	108-42	Washer .21x1.0x.06 Zinc
41	1	49040-2065	Pump, Fuel
43	2	117-27	Locknut, Nylon 1/4-20 Zc



Ref	Qty	Part No.	Description
1	1	100-39A-1	Key
1a	1	127-17	Switch, Ignition - Conquest (incl. Ref. 1)
2	1	100-62	Switch, Light
3	1	613-61	Wire Harness - Conquest (incl. Fuse Holders)
4	1	126-76	Knob, Light
5	1	108-55	Lockwasher 7/16 External Tooth
6	1	127-54	Battery, Exide 45-50
7	1	613-14	Wire, Ground - 14"
8	1	604-52	Bracket, Battery Retaining
9	2	117-21	Locknut, Nylon 5/16-18 Zc
10	8	100-64	Tie Wrap, 5.5" - Black
11	10	120-09	Rivet 3/16x1 - Black
11a	6	120-13	Rivet 3/16x5/8 - Black
12	16	126-93	Clamp, Nylon Wire-1/2" ID
13	1	108-57	Lockwasher 3/4 Internal Tooth
15	5	127-24	Clamp, Nylon - 1" ID
25	1	613-37	Terminal Strip, Ground
31	1	632-15	Hourmeter
32	1	633-10	Voltmeter
35	1	634-22	Gauge, Water Temperature
36	2	634-08	Light, Indicator
37	2	634-10	Light Kit, #06215-00
38	2	117-27	Locknut, Nylon 1/4-20 Zc
39	1	21066-2070	Regulator, Voltage
40	2	103-63	PHMS, PHIL 1/4-20x1.0 Zc
44	2	120-15	Rivet 1/8x7/16
46	2	118-48	Heat Shrink, 2 x 1/2
47	2	118-02	Terminal, Male #76-1251
52	1	613-46	Terminal Insulator (2 ga.)
53	1	127-55	Cap, Battery Terminal
54	1	118-53	Fuse, 20A 2 prong (AT020)
55	2	118-49	Fuse, 15A 2 prong (AT015)
58	4	117-10	Locknut, Nylon #10-24 Zc
59	3	118-52	Fuse, 10A 2 prong (AT010)
61	4	103-25	PHMS #10-24x3/4 Zc
62	2	127-56	Terminal, Battery Post
68	2	613-62	Headlamp Asm
71	2	127-46	Bulb, Headlight - Halogen
72	1	118-51	Fuse, 30A 2 prong (AT030)
74	2	118-60	Block - Fuse, 8 position (4 fuse)
75	1	118-61	Terminal - Fuse, quad
76	1	118-63	Terminal - Fuse, triple
77	9	118-62	Terminal - Fuse, single

ARGO Products Manufactured by:

Ontario Drive & Gear Limited

P.O. Box 280, 220 Bergey Court

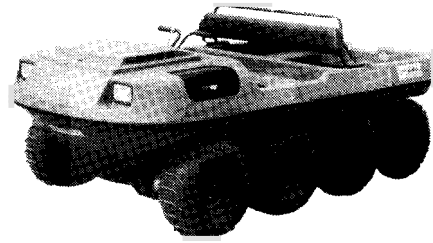
New Hamburg, Ontario

Canada NOB 2G0

Phone: (519) 662-2840

Fax: (519) 662-2421

ODG *Dedicated to quality and performance*



ARGO

CONQUEST PARTS MANUAL

**Model Nos. V899-37 &
V899-38**

From Serial #CB16459

Foreword

ODG has prepared this parts manual for the CONQUEST model to assist both qualified mechanics and vehicle owners in ordering correct, quality replacement ARGO parts.

Proper and regular service, and replacing old, worn or broken parts with the correct ARGO replacement parts, are both essential to prolonging the life of the ARGO. Please refer to this parts manual before ordering any replacement part.

All information contained in this CONQUEST Parts Manual is based on the latest product specification available at time of printing. If your CONQUEST differs from the specifications contained in this manual, contact Ontario Drive & Gear Limited for information.

ODG reserves the right to alter specifications on the CONQUEST model at any time, without obligation or prior notification.

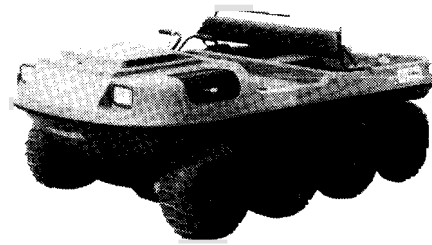
Reproduction of this CONQUEST Parts Manual, in whole or in part, is prohibited without prior written permission from Ontario Drive & Gear Limited.

Model Identification

CONQUEST - Model Nos. V899-37 and V899-38

Explanation of Parts Manual Format

- Reference number between assembly diagram and component parts list
- Part No.** - Argo replacement part number for identification and re-ordering
- Description** - Part description for identification and re-ordering
- Indicates the quantity of a part used in an Assembly



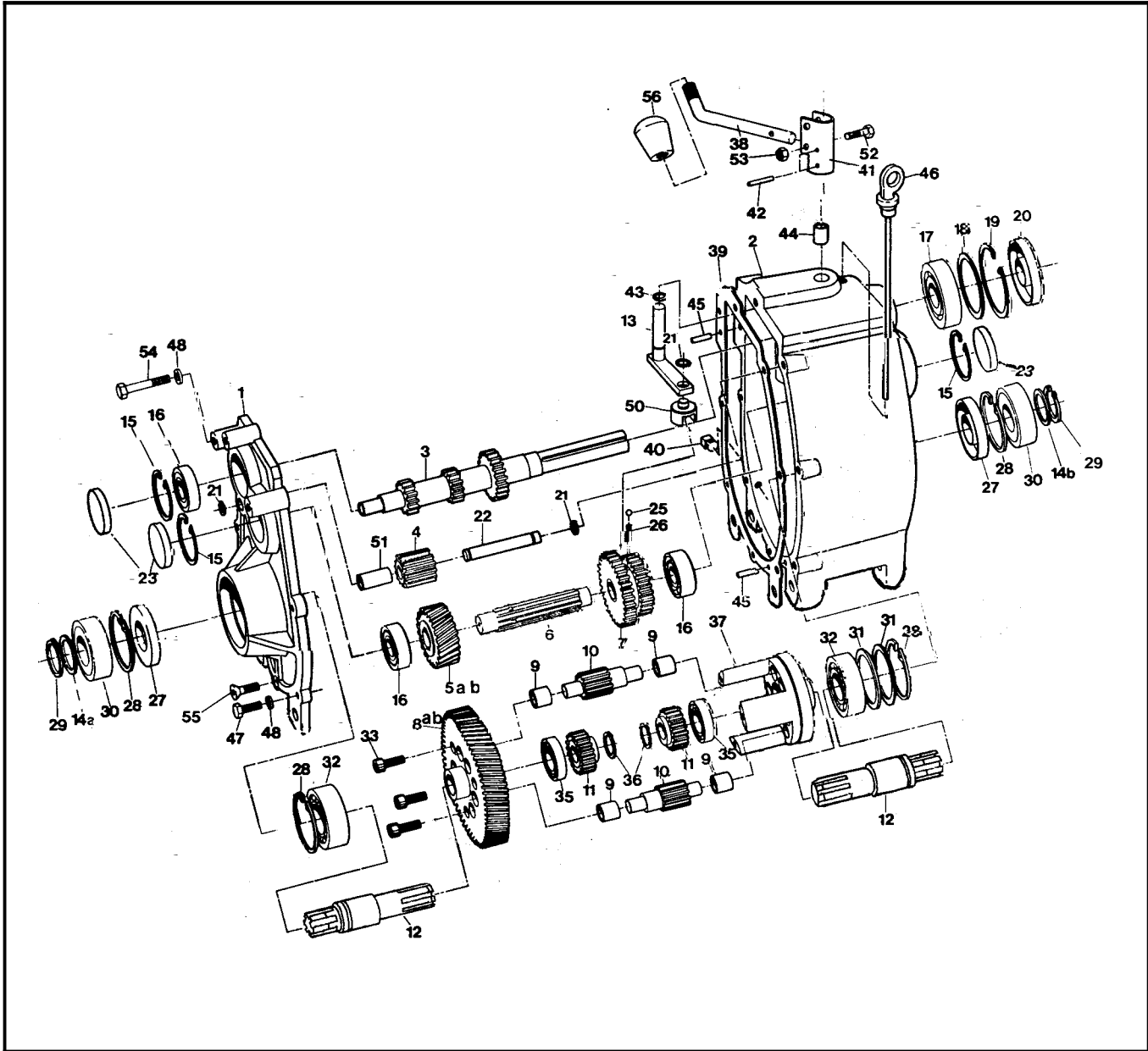
Using the Parts Manual

Find the major vehicle assembly in the Table of Contents on this page, and turn to that section.

2. Locate the part in the illustration that you wish to order.
3. Refer to the parts list in that section.
4. Find the correct part number (Part No.), part description (Description) and correct quantity (Qty).
5. Use *only* this information to order ARGO replacement parts. *DO NOT* attempt to order a replacement part by reference number or page number.

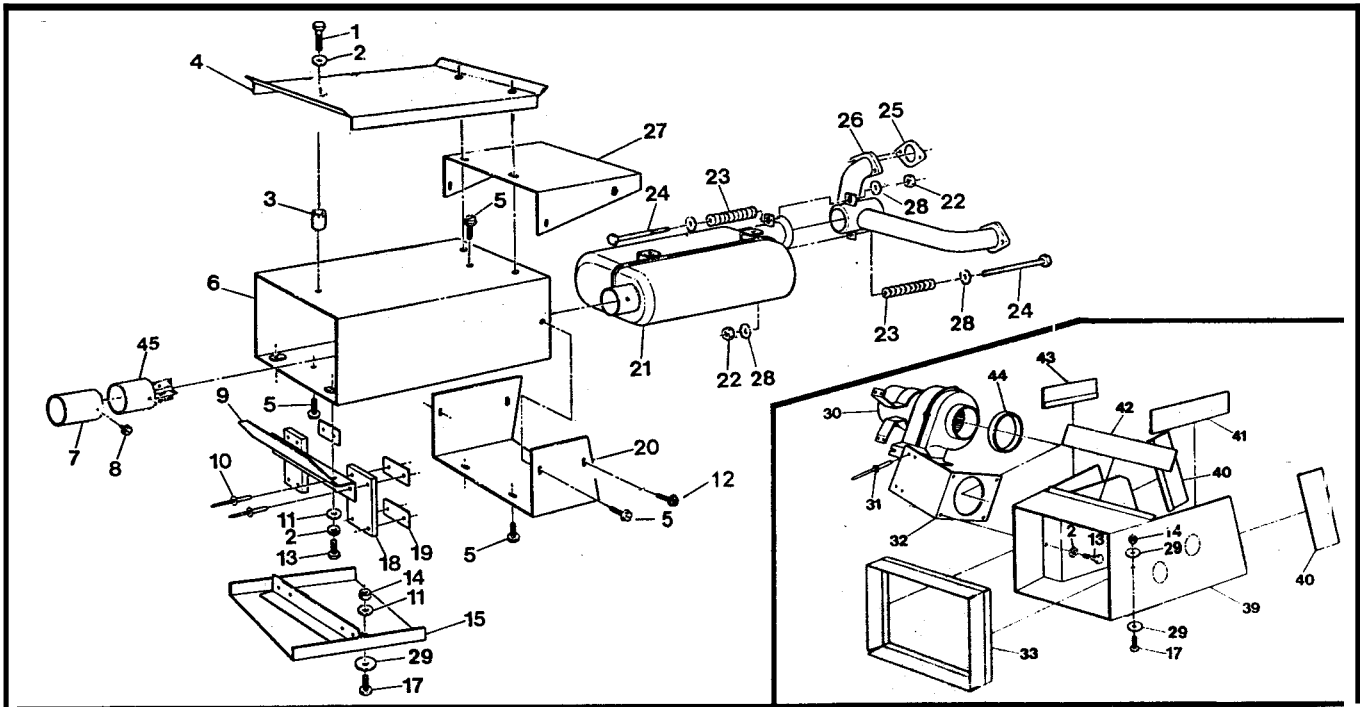
Table of Contents

Foreword	i
Model Identification	i
Using the Parts Manual	ii
1.0 Transmission	1
2.0 Intake and Exhaust System	3
3.0 Clutch System	3
4.0 Power Pack Assembly	5
5.0 Brake System - Hydraulic	7
6.0 Vehicle Body & Firewall	9
7.0 Frame & Drive System	11
8.0 Fuel System & Seat Assembly	13
9.0 Electrical System	15

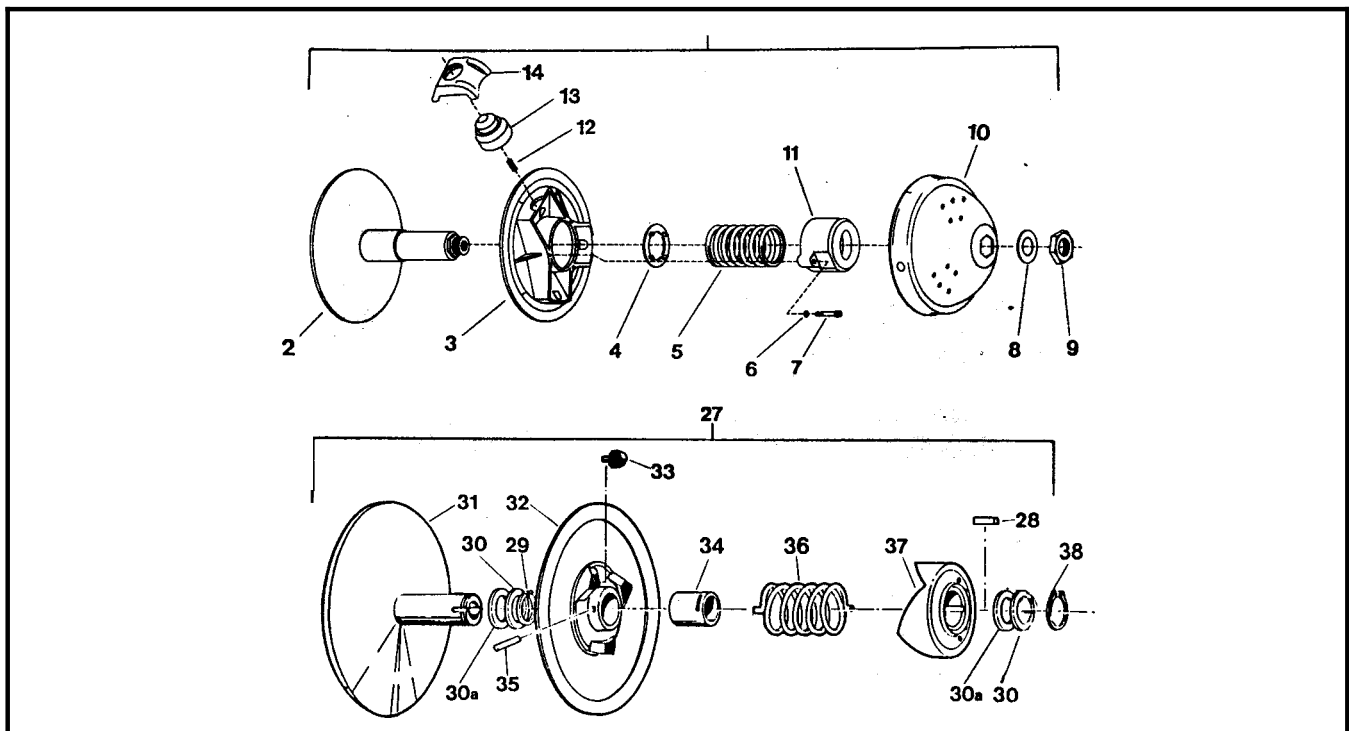


Ref	Qty	Part No.	Description
		610-18M	Transmission Asm - M, does not include Refs 38, 52, 53 & 56, uses Refs 5a & 8a
		610-18G	Transmission Asm - G, does not include Refs 38, 52, 53 & 56, uses Refs 5b & 8b
1	1	34-68	Cover, Transmission
2	1	34-99	Housing, Transmission
3	1	34-21	Shaft, Input - 13/21T
4	1	34-16A	Gear, Idler - 13T (incl. Ref 51)
5a	1	34-95	Gear, Helical - 24T - M
5b	1	34-97	Gear, Helical - 21T - G
6	1	34-94	Shaft, Spline
7	1	34-91	Gear, Double - 26/33T
8a	1	34-22	Gear Plate - 73T - M
8b	1	34-45	Gear Plate - 76T - G
9	12	105-03	Bushing, Oilite - 1/2 x 3/4
10	6	34-13	Gear, Planet - 12T
11	2	34-14	Gear, Sun - 21T
12	2	34-98	Shaft, Output
13	1	34-65	Shifter Asm.
14a	1	114-04	Washer, Shim .040 Thk
14b	1	114-05	Washer, Shim .020 Thk
15	3	106-01	Retaining Ring
16	3	101-01	Bearing, Ball 6204Z-C3
17	1	101-16	Bearing, Ball 6206-C3
18	as req	114-02	Washer, Shim 2.06x2.42x.02
19	1	106-05	Retaining Ring
20	1	102-05	Seal, Oil WBS 30x62x10
21	3	107-05	Retaining Ring
22	1	34-11	Pin, Dowel 1/2 x 3.50
23	3	31-07	Plug Plate
25	1	109-05	Ball, Steel 6mm 62-67 Rc
26	1	34-32	Spring, Compression - 7/32x.50
27	2	102-03	Seal, Oil WBS 30x72x10
28	4	106-03	Retaining Ring
29	2	107-02	Retaining Ring
30	2	101-05	Bearing, Ball 6306-2NSE C3
31	2	114-01	Washer, Shim 2.25x2.81x.02
32	2	101-03	Bearing, Ball 6207-C3
33	3	103-04	SHCS 5116-18x1.0 Bare
35	2	101-15	Bearing, Ball 6005-C3
36	2	107-04	Retaining Ring
37	1	34-08	Cage
38	1	610-77	Lever, Shift
39	1	34-47	Gasket, Cover - 1/64" Thk
40	1	103-02	Plug, Magnetic 3/8-18 NPT
41	1	34-86	Holder, Shift Lever
42	2	111-01	Pin, Spring 5/32x1.0
43	1	113-01	O-Ring
44	1	105-02	Bushing, Oilite - 1/2 x 1.0
45	2	104-03	Pin, Dowel 114 x 7/8
46	1	34-77	Dipstick, with breather
47	4	103-06	HHCS 5/16-18x1.0 GR5 Zc
48	7	108-05	Lockwasher 5/16
50	1	34-63	Shift Yoke
51	1	105-05	Bushing, Oilite - 1/2 x 1.5 (in Ref. 4)
52	1	103-97	HHCS 1/4-20x1.25 GR5 Zc
53	1	117-27	Locknut, Nylon 1/4-20 Zc
54			See Section 4.0 Power Pack Assembly
55	1	103-95	FHSC 5/16-18x1.0 GR8 Zc
56	1	126-38	Knob, Shift

2.0 Intake and Exhaust System Conquest Parts Manual



3.0 Clutch System

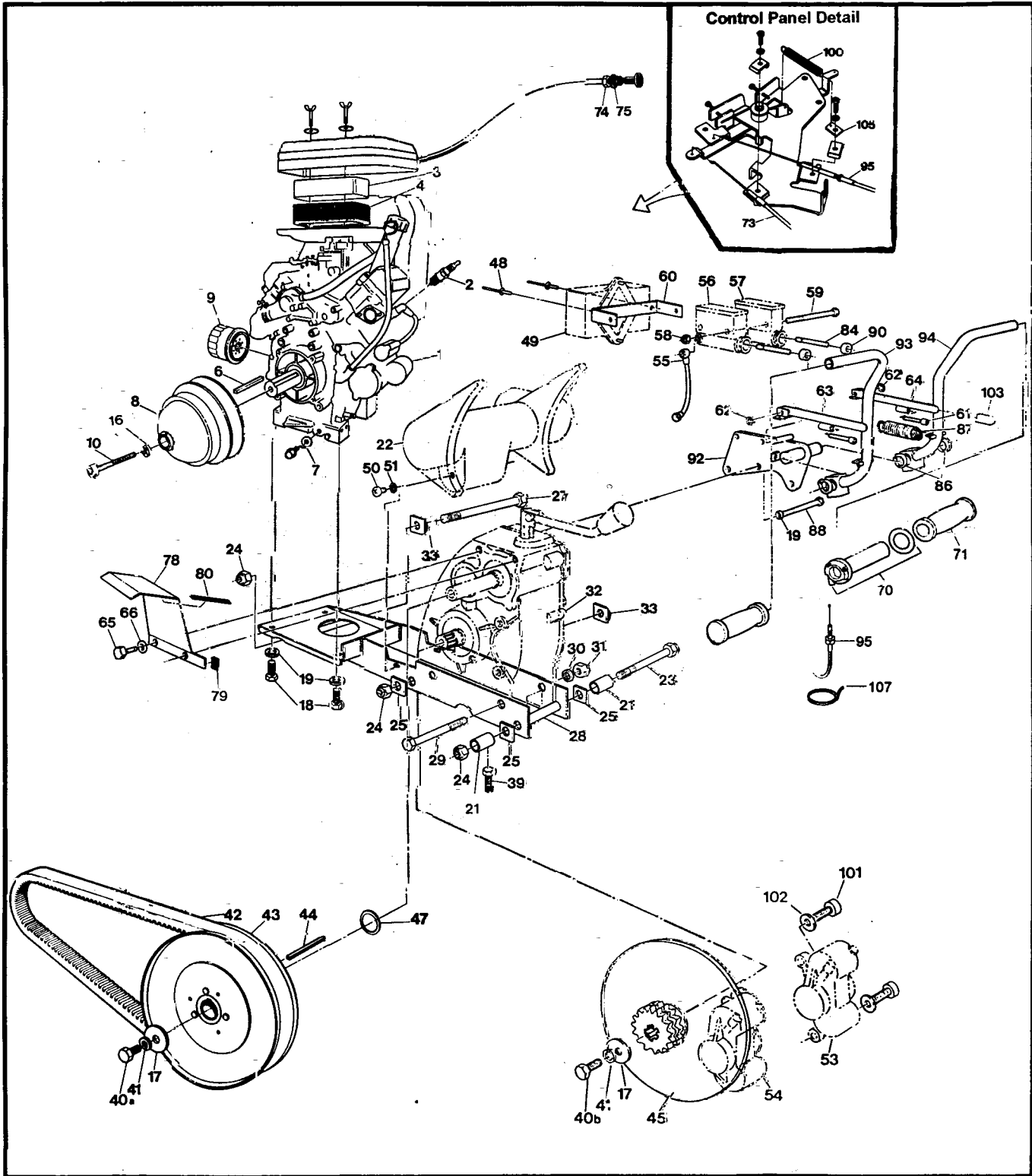


Conquest Parts Manual 2.0 Intake and Exhaust System

Ref	Qty	Part No.	Description	Ref	Qty	Part No.	Description
1	3	103-97	HHCS 1/4-20x1.25 Gr5 Zc	22	2	117-25	Nut, Conelock 5/16-18
2	9	108-03	Lockwasher 1/4	23	2	100-10	Spring, Compression
3	3	807-71	Spacer	24	2	112-18	SHCS 5/16-18x2.25
4	1	807-72	Shield, Heat	25	2	11060-2079	Gasket, Muffler
5	7	112-19	Screw IHWH T/C 1/4-20x1/2	26	1	807-66	Manifold Asm
6	1	807-41	Shield Asm, Muffler	27	1	807-38	Cover, Manifold
7		807-75	Pipe, Muffler Outlet	28	4	108-24	Washer .34x.70x.06 Zc
8		112-43	Screw, IHWH #8x3/8	29	8	108-01	Washer, Fender 1/4 BSx1.25OD
9		807-43	Support, Upper	30			See Section 5.0 Brake System
10	8	120-09	Rivet 3/16x1 - Black	31	4	120-13	Rivet 3/16x5/8 - Black
11	4	108-08	Washer .28x.62x.04 Zinc	32	1	807-68	Bracket Asm, Fan
12	2	103-48	T/S Pan Hd. Phil #10x5/8	33	1	603-87	Seal, Radiator
13	6	112-04	HHCS 1/4-20x3/4 Gr2 Zc	39	1	807-35	Duct Asm, Intake
14	5	117-27	Locknut, Nylon 1/4-20 Zc	40	2	603-88C	Seal 9.62"
15	1	807-49	Support, Lower	41	1	603-88B	Seal 8.49"
17	5	103-63	PHMS, PHIL 1/4-20x1.0 Zc	42	1	603-88D	Seal 11.66"
18	2	126-07	Support, Flex	43	1	603-88A	Seal 7.09"
19	4	807-69	Washer, Special	44	1	602-33	Vinyl Trim - 9.8"
20	1	807-70	Cover, Lower	45	1	807-67	Spark Arrester
21	1	807-42	Muffler Asm - Conquest				

3.0 Clutch System

Ref	Qty	Part No.	Description
1	1	127-71	Clutch, Driver - Keyed (incl. Refs 2 to 14)
2	1	0405-0020	Pulley, Half - Fixed
3	1	0410-0006	Pulley, Half - Sliding
4	1	V09	Plate, Spring Guide
5	1	V10-48-105-17	Spring
6	3	420-2453-700	Lockwasher
7	3	222-9640-66	SHCS
8	1	0080-0153	Washer, Zc
9	1	0080-0100	Nut
10	1	0115-0003(A)	Cap
11	1	0440-0001	Cover, Spring
12	3	C24-L1	Spring, Anti-noise
13	3	C13-266T	Weight, 266g
14	3	0130-3002	Block, Red
27	1	126-24	Clutch, Driven - Model "B" (incl. Refs 28 to 37)
28	1	ASK-5	Key 1/4x1/4x5/8
29	1	ASR-6	Retaining Ring
30	as req	ASA-1-S	Spacer .025" Thick
30a	as req	ASA-1	Spacer .050" Thick
31	1	AFK25.4-250OD01	Pulley, Half - Fixed
32	1	AMC-2-250OD01	Pulley, Half -Sliding incl. Refs. 33, 34 & 35
33	3	ANS-2-T	Shoe, Cam
34	1	AMB-2	Bushing, Bronze
35	1	111-01	Pin, Spring 5/32x1.0
36	1	ACS-3-188	Spring, Blue
37	1	AFC-4-C3D4	Cam
38	1	371-9031-000	Retaining Ring

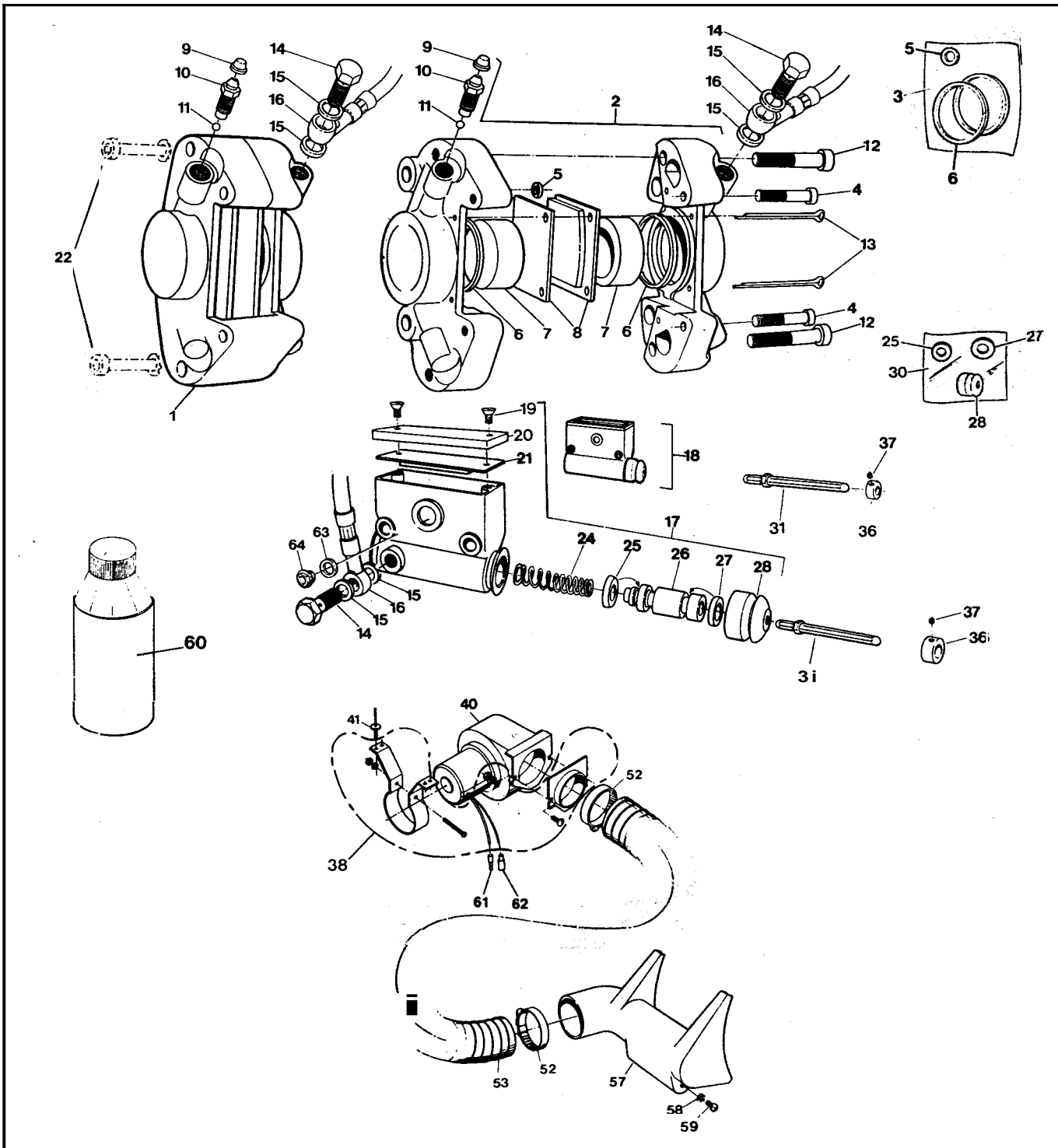


Conquest Parts Manual

4.0 Power Pack Assembly

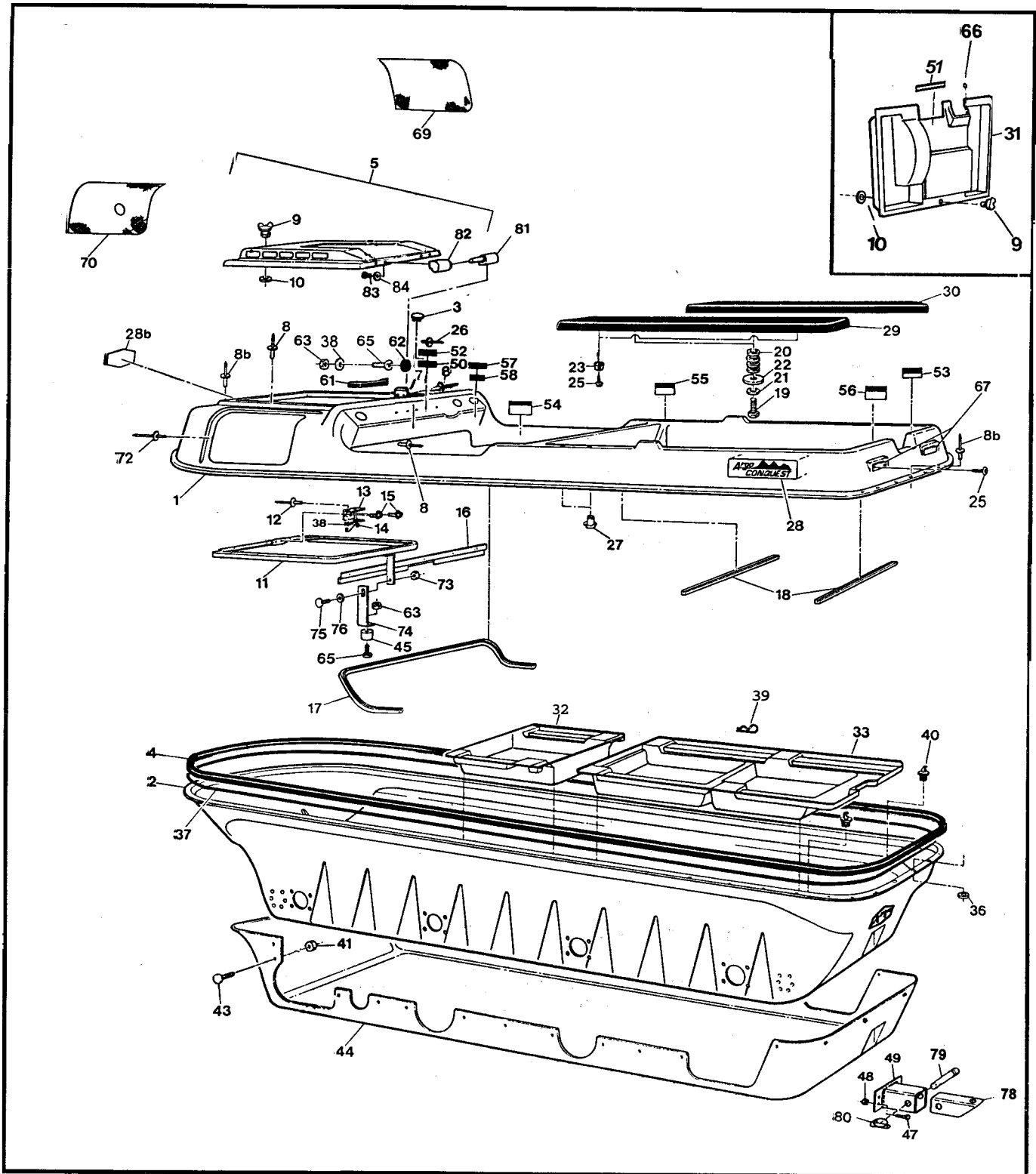
Ref	Qty	Part No.	Description
1	1	FD620D-GS12	Engine - Kawasaki, (incl. Refs. 2, 3, 4, 7, 9, 49)
2	2	92070-2072	Sparkplug, BMR4A
3	1	11013-2114	Element, Air Filter - Foam
4	1	11013-2139	Element, Air Filter - Paper
6	1	110-13	Key 1/4x1/4x2.25
7	1	11009-2566	Gasket, Drain Plug
8			See Section 3.0 Clutch System
9	1	127-68	Filter, Oil
10	1	112-15	SHCS M10x1,5x90mm
16	1	108-54	Lockwasher, Hi-Collar - M10
17	3	108-18	Washer .40x1.37x.12 Zc
18	4	112-30	SHCS M8x1,25x20mm Zc
19	7	108-05	Lockwasher 5/16 Zc
21	2	811-14	Spacer
22			See Section 5.0 Brake System
23	1	112-57	HHCS 5/8-11x10.0 Gr5 Zc
24	3	117-09	Locknut, Nylon 5/8-11 Zc
25	3	811-09	Washer, Square - .64 ID
27	2	112-58	HHCS 5/8-11x7.5 Gr5 Zc
28	1	811-30	Frame, Powerpack - Conq.
29	2	103-20	HHCS 1/2-13x6.5 Gr5 Zc
30	2	108-07	Lockwasher 1/2
31	2	117-06	Nut, Fin Hex 1/2-13 Zc
32			See Section 1.0 Transmission
33	2	811-15	Washer, Square Lock .64 ID
39	2	103-53	HHCS 3/8-16x3.0 Gr5 Full Thread
40a	1	103-34	HHCS 3/8-16x1.25 Gr5 Zc
40b	2	103-18	HHCS 3/8-24x1.25 Gr5 Zc
41	3	108-06	Lockwasher 3/8 Split Ring Zc
42	1	125-56	Drive Belt
43			See Section 3.0 Clutch System
44	1	110-09	Key 1/4x1/4x3.0
45	2	610-80	Brake Disc #50-2x13T
47	as req	108-36	Washer 1.03x1.37x.06 Zinc

Ref	Qty	Part No.	Description
48	2	120-13	Rivet 3/16x5/8 - Black
49	1	21119-2120	Igniter
50 to 57			See Section 5.0 Brake System
58	2	117-27	Locknut, Nylon 1/4-20 Zc
59	2	103-66	HHCS 1/4-20x4.0 Gr5 Zc
60	1	610-75	Bracket, Igniter
61	2	103-69	SHCS 1/4-20x1.5 Zc
62	2	113-02	O-Ring
63	1	810-20	Lever Asm, Brake - LH
64	1	810-21	Lever Asm, Brake - RH
65	2	103-17	HHCS 3/8-16x1.0 Gr5 Zc
66	2	108-26	Washer 3/8 Zc
70	1	127-81	Throttle Twist Grip
71	2	127-35	Grip, Molded
73	1	812-29	Cable Asm, Choke - Conq.
74	1	117-68	Nut, Jam 3/8-24 UNF Zinc
75	1	108-32	Lockwasher 3/8 Int. Tooth
78	1	603-29	Guard, Belt Protect
79	1	601-92	Vinyl Trim - 1.5"
80	1	601-93	Vinyl Trim - 4.25"
84			See Section 5.0 Brake System
86	4	106-07	Retaining Ring
87	2	127-33	Spring, Extension
88	3	103-55	HHCS 5/16-18x2.75 Gr5 Zc
90			See Section 5.0 Brake System
92	1	812-01	Bracket Asm, Steering
93	1	812-27	Lever Asm, Steering - LH
94	1	812-26	Lever Asm, Steering - RH
95	1	612-101	Cable Asm, Throttle
100	1	127-11	Spring, Extension
101	4	103-41	SHCS 3/8-16x1.25 Zc
102	4	108-23	Washer 3/8 SAE Gr8 - Dich.
103	2	126-89	Cap, Vinyl - Black
105	1	601-86	Clip, Retainer
107	1	100-64	Tie Wrap - 5.5" - Black



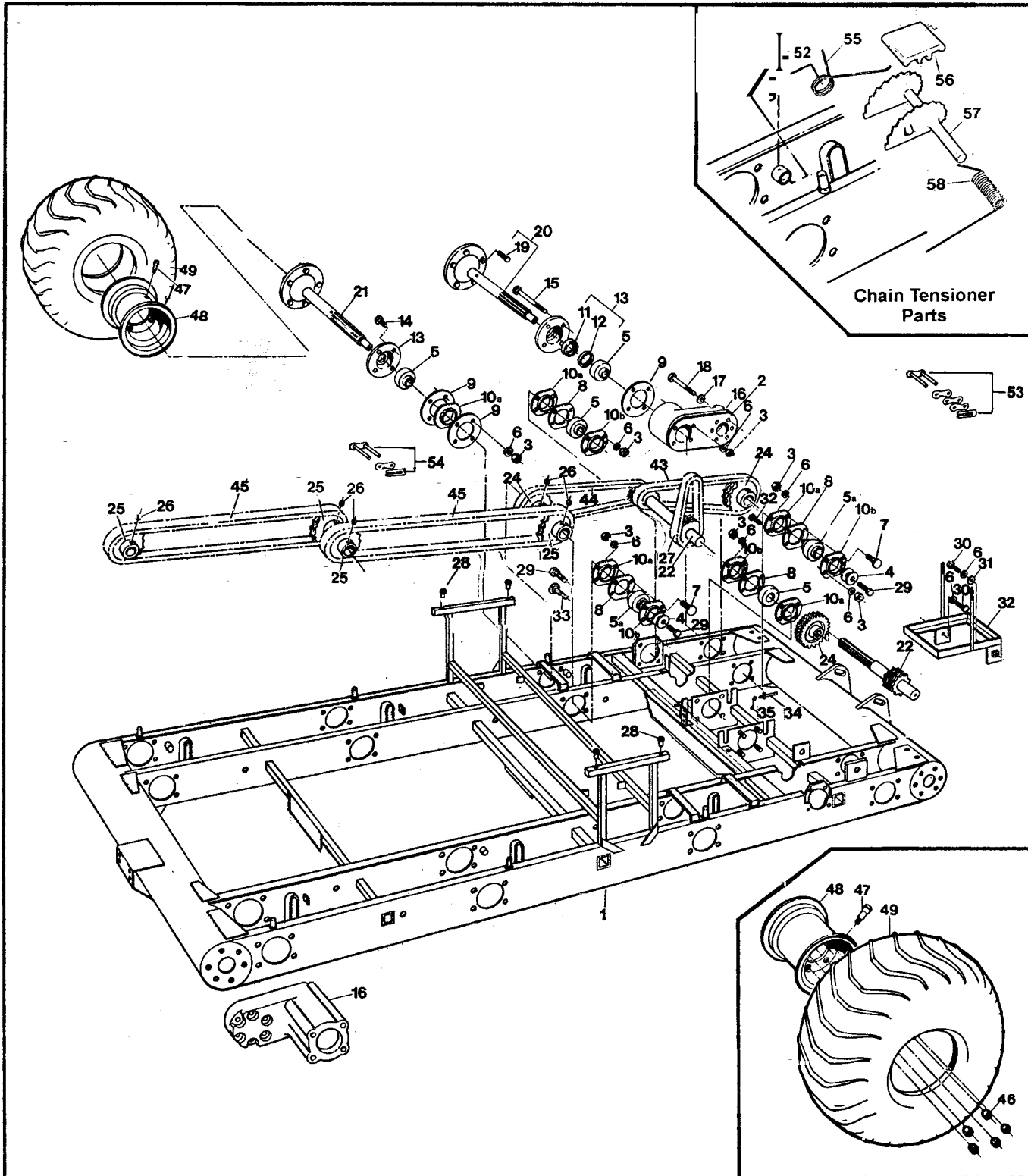
Conquest Parts Manual 5.0 Brake System - Hydraulic

Ref	Qty	Part No.	Description
1	1	166-01RM	Caliper, Brake - L w/o Pads (incl. Refs 5, 6, 7, 9 - 12)
2	1	166-02RM	Caliper, Brake - R w/o Pads (incl. Refs 5, 6, 7, 9 - 12)
3	2	161-01	O-Ring Kit, Caliper (incl. Refs 5 & 6)
4	2	160-40	SHCS M8x1,25x40 Zc
5	1		Seal, Rubber - 5mm (see Ref 3)
6	2		Seal, Piston - 41mm (see Ref 3)
7	2x2	168-05	Piston 41mm
8	1	170-02	Brake Pad Set (4) - Metallic (Asbestos-free)
9	1x2	168-20	Plug, Rubber
10	1x2	168-03	Screw, Bleeding M10x1,0
11	1x2	109-03	Ball, Steel - 7/32 Dia.
12	2x2	160-41	SHCS M10x1,5x50mm Zc
13	2x2	168-06	Pin, Cotter 3,2x50mm
14	4	160-44	Bolt, Banjo-M10x1,0x21,0 Zc
15	8	160-01	Washer, Copper-1,5x10,0x14,0
16	1x2	163-01	Hose Asm, Hydraulic-310mm
17	1	165-06	Master Cylinder - left (incl. Refs 19 to 21, 24 to 28, 63 & 64)
18	1	165-05	Master Cylinder - right (incl. Refs 19 to 21, 24 to 28, 63 & 64)
19	2x2	160-42	FHMS M5x0,8x6mm
20	1x2	168-08	Cover
21	1x2	168-09	Cover, Rubber
22			See Section 4.0 Power Pack Assembly
24	1x2	162-02	Spring, Comp. 0.59x1.5
25	1x2		Seal, Primary, 19mm (See Ref. 30)
26	1x2	168-10	Piston 19mm dia.
27	1x2		Seal, Secondary, 19mm (See Ref. 30)
28	1x2		Boot, Rubber (See Ref. 30)
30	1x2	161-25	O-Ring Kit - Master Cylinder (incl. Refs 25, 27 & 28)
31	2	812-13	Pin Asm, Plunger-Adjustable
36	2	812-17	Collar
37	2	112-02	SHSS 10-24x1/4 Knurl Cup PT, PL
38		125-92	Adpt. & Mounting Kit - includes the following:
	1		Mounting Bracket
	1		Nut, #10-32
	1		Lockwasher, 3/16"
	1		Screw, #10-32x2"
	2		Nut, 1/4-20
	2		Lockwasher, 1/4"
	2		Screw, 1/4-20x5/8"
	1		Adaptor, 3" dia.
40	1	125-91	Blower Fan
41			See Section 2.0 Intake and Exhaust System
52	2	125-35	Clamp, Gear 3.50 HF-52
53	1	127-06	Hose, Intake - 3" dia. x 26"
57	1	126-36	Brake Cool Air Duct
58	2	108-56	Lockwasher 1/4 Ext. Tooth
59	2	103-63	PHMS, Phil 1/4-20x1.0 Zinc
60		126-19	Fluid, Brake - Silicon Dot 5 - .35L
61	1	118-02	Terminal, Male #76-1251
62	1	118-03	Terminal, Female #76-1289
63	1x2	160-03	O-ring, Oil Window
64	1x2	168-14	Oil Window, Master Cylinder



Ref	Qty	Part No.	Description
1	1	801-98	Body & Hood, Upper - Conq, (spec. colour) (incl. Ref 5,11,12,13,14,15)
2	1	801-48BL	Body, Lower - Conq, (spec. colour)
3	1	127-28	Plug, Nylon - Black
4	1	801-05	Bumper, Vinyl - 8x8
5	1	602-34	Hood Kit - Conq, (spec. colour) (incl. 7, 8, 9, 10, 81, 82, 83, 84)
7	1	602-38	Clip, Hood
8	23	120-13	Rivet 3/16x5/8 - Black
8b	63	120-09	Rivet 3/16x1 - Black
9	2	126-10	Wing Stud
10	2	126-09	Grommet, Alum.
11	1	602-24	Frame Asm, Hood
12	2	120-15	Rivet 1/8x7/16
13	1	601-69	Spring Plate
14	1	126-11	Spring
15	2	103-72	Screw, IHWH T/C Slot 1/4-20x3/4
16	1	602-29	Brace, Dash
17	1	601-08	Trim, Vinyl - 84"
18	2	601-09	Trim, Vinyl - 28"
19	4	112-04	HHCS 1/4-20x3/4 Gr2 Zc
20	16	108-25	Washer .31x.75x.06 Zc
21	4	108-03	Lockwasher 1/4
22	4	801-41	Washer, Seat
23	4	126-79	Bumper, Plastic - Black
25	8	103-48	T/S Pan HD PHIL #10x5/8
26	26	120-24	Rivet, 3/32x3/8 Alum. (all plates)
27	4	117-44	T-Nut 1/4-20 Zinc
28	2	127-27	Nameplate - Conquest
28b	1	601-44	Nameplate - Argo
29	1	801-03	Seat, Rear LH - 8x8
30	1	801-02	Seat, Rear RH - 8x8
31	1	609-33	Firewall - Hydraulic Brakes
32	1	803-02	Floor Pan - Front - (spec. colour)
33	1	803-03	Floor Pan - Rear - (spec. colour)
36	57	120-04	Washer .19x.50x.08 Zinc
37	1	126-60	Vinyl Strip 1/2"x1/4"x37.5'
38	4	120-05	Washer .19x.50x.04 Zc

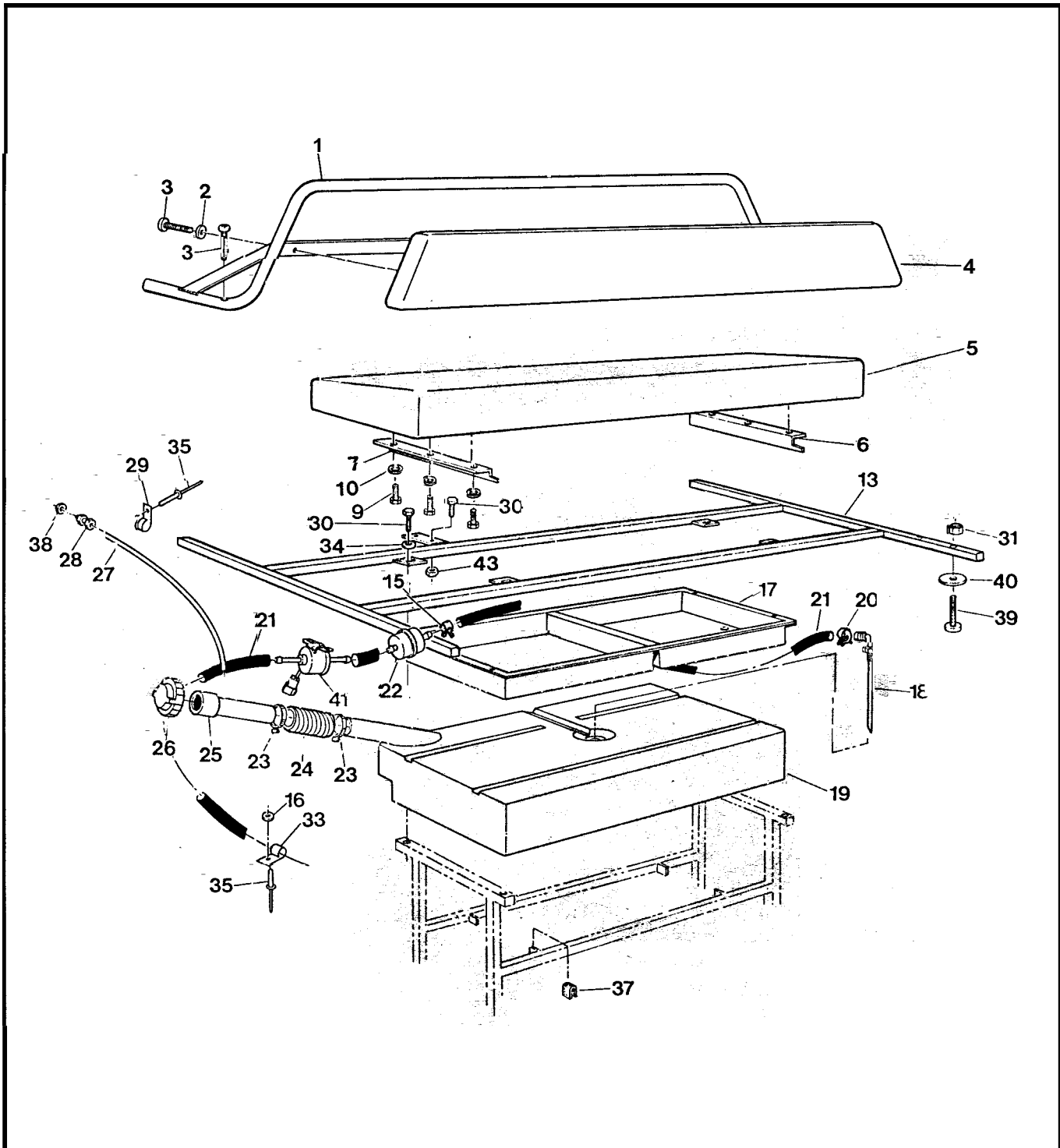
Ref	Qty	Part No.	Description
39	6	100-16	Clip, Hitch Pin 1.625 Zc
40	2	100-18	Plug, Drain 5/8"x13/32"
41	32	120-28	Collar, Magna Grip
43	32	120-27	Pin, Magna Grip
44	1	863-11	Skid Plate, 8x8 - Black
45	1	126-88	Bumper, Rubber
47	4	103-61	HHCS 3/8-24x1.5 Gr5 Zc
48	4	117-24	Locknut, Nylon 3/8-24 Zc
49	1	616-16	Hitch Assembly
50	1		Vehicle ID Plate, Alum.
51	1	126-65	Plate, Shifting
52	1	127-26	Plate, Steering Lever+Winch
53	1	126-67	Plate, Floor Pan
54	1	126-68	Plate, Operation
55	1	126-69	Plate, Fuel
56	1	127-76	Plate, Cap. Land/Water
57	1	126-72	Plate, Holding Brake
58	1		U.S. Plate, Non-U.S. Argos only
61	1	125-41	Handle, Dash (incl. 62)
62	2		Plug Cap, (avail. only with 61)
63	3	117-10	Locknut, Nylon #10-24 Zc
65	3	103-25	PHMS #10-24x3/4 Zinc
66	1	125-84	Grommet, Rubber
67	2	127-01	Reflector, Red
69	1	807-73	Screen, Intake - Conquest
70	1	807-74	Screen, Exhaust - Conquest
72	28	120-11	Rivet 5/32 x 9/16 - Black
73	1	117-15	Nut, Fin Hex 3/8-16 Zinc
74	1	602-27	Support, Adjustable
75	1	103-89	C/Bolt 3/8-16x3/4 Gr2 Zinc
76	1	108-06	Lockwasher 3/8
78	1	616-19	Tube, Hitch
79	1	104-13	Pin, Top Link
80	1	104-11	Pin, Lynch
81	2	127-45A	Pin, Hinge
82	2	127-45B	Knuckle, Hinge
83	8	103-47	HHCS 10-24x1/2
84	8	108-59	Lockwasher #10 Int. Tooth Zinc



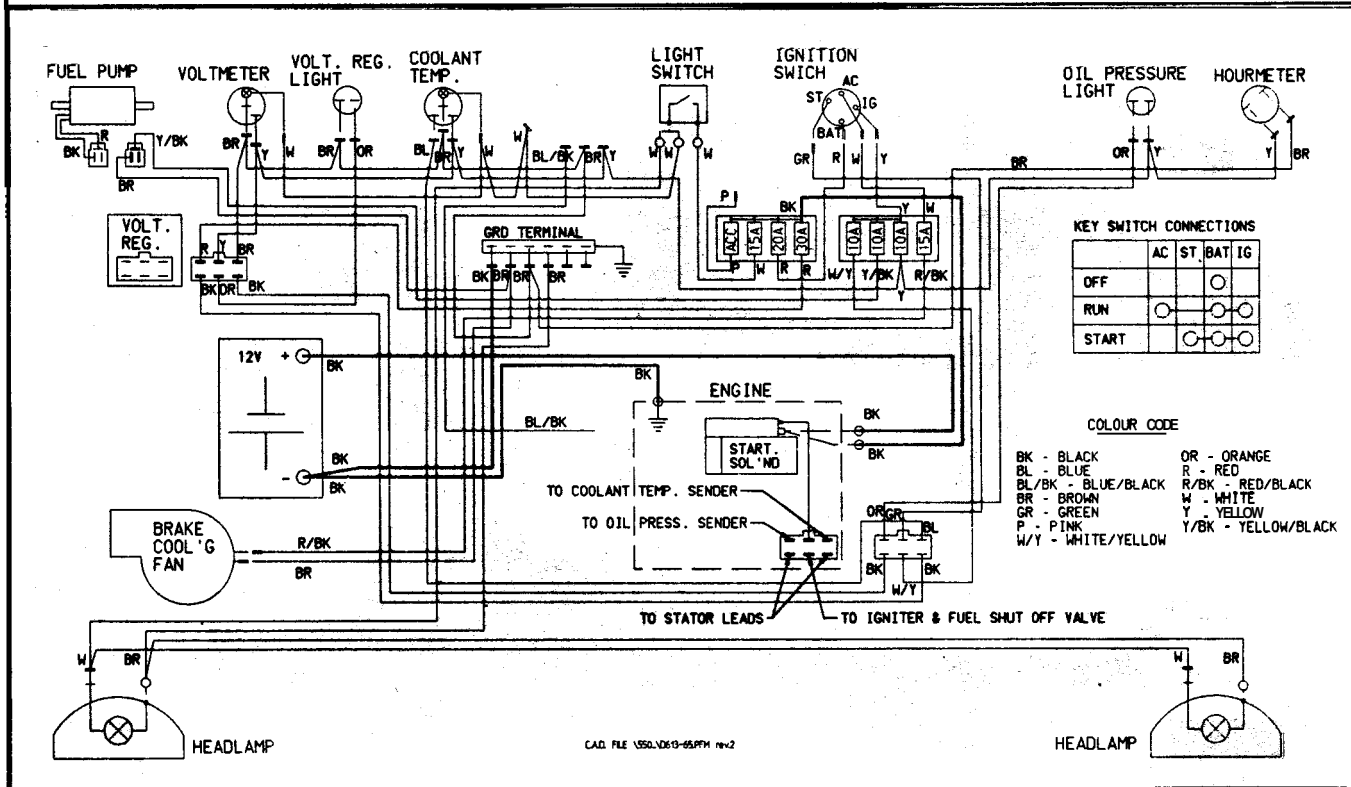
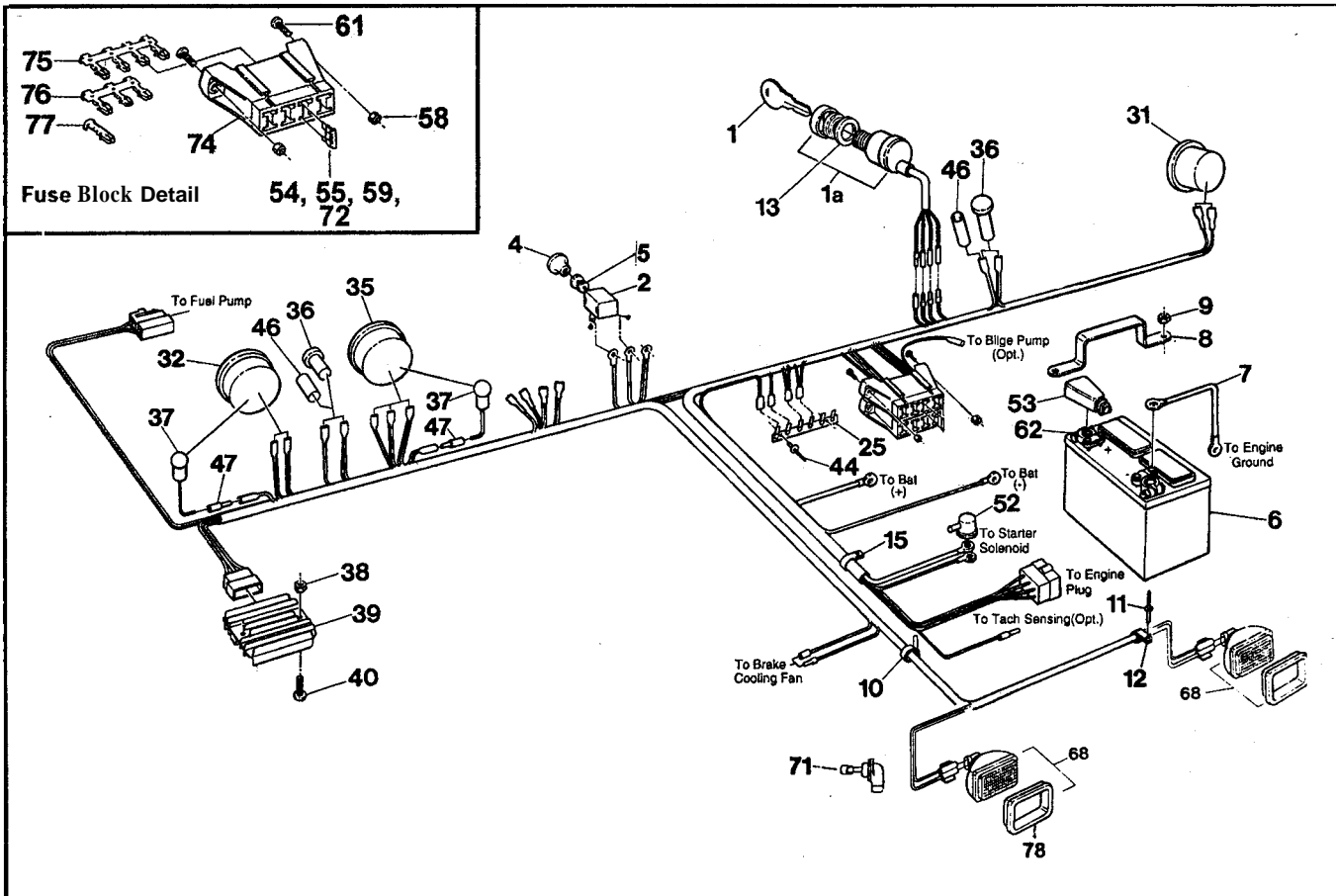
Conquest Parts Manuals 7.0 Frame and Drive System

Ref	Qty	Part No.	Description
1	1	806-00	Frame Asm - 8x8
2	4	605-69	Gasket - Bearing Extension
3	80	117-15	Nut, Fin Hex 3/8-16 Zinc
4	16	108-46	Washer .40x1.37x.12 Hi-Carbon
5	12	101-35	Bearing, Ball - 1.25
5a	8	101-41	Bearing, Ball - 1.0
6	82	108-06	Lockwasher 3/8
7	30	103-88	C/Bolt 3/8-16x1.0 Gr5 Zc
8	12	605-99	Gasket, Flange - Inner
9	12	605-89	Gasket, Flange - Outer
10a	16	605-63	Flange - 4 hole
10b	12	101-20	Flange, Greasable - 4 hole
11	8	102-14	Seal, Oil 1.25x1.75x0.188
12	8	102-15	Seal, Oil 1.25x1.874x0.25
13	8	605-97	Flange Asm, Outer (incl. Refs. 11 & 12)
14	16	112-39	C/Bolt 3/8-16x1.75 Gr5 Zc
15	16	103-67	C/Bolt 3/8-16 x 6 Gr2 Zc
16	4	810-36	Bearing Extension (uses Refs. 17 & 18)
17	24	108-34	Washer 7/16 SAE Zinc
18	24	103-81	HHCS 7/16-20x2.5 Gr5 Zc
19	5x8	103-80	Stud, Wheel 7/16-20x1.125 #B271
20	4	810-73	Axle Asm - Front/Rear (incl. Ref. 19)
21	4	810-75	Axle Asm - Mid (incl. Ref. 19)
22	2	810-45	Shaft, Idler - 1I T
23	1	604-84	Frame Asm, Battery
24	6	810-28	Sprocket, Double - 24T
25	8	606-34	Sprocket, S60x19T
26	10	112-03	SHSS 5/16-18x3/8 1/2 DOG, PL
27	2	803-17	Chain, Idler RC50-2x40P (incl. Ref. 53)
28	4	117-64	Insert, 1/4-20
29	12	112-31	HHCS 3/8-16x1.0 2B Gr8 Zc
30	2	112-14	HHCS 3/8-16x.75 Gr5 Zc
31	1	108-15	Washer 3/8 SAE Zc
32	2	103-82	HHCS 3/8-16x1.5 Gr5 Zc
33	4	112-61	C/Bolt 3/8-16 x 1.25 Gr5 Zc
34	2	120-15	Rivet 1/8x7/16
35	1	126-11	Spring
43	2	603-17	Chain, RC50-2 x 42P-Front (incl. Ref. 53)
44	2	603-20	Chain, RC50-2 x 70P-Mid (incl. Ref. 53)
45	4	603-93	Chain, RC60-1 x 84P-Rear (incl. Ref. 54)
46	5x8	117-35	Nut, Wheel 7/16-20 Zc
47	8	125-26	Valve, Tire
48	8	125-13C	Rim - Charcoal
49	8	126-96	Tire, Goodyear Runamuk 22x10-8
52	6	100-01	Pin, Cotter 1/8x1.50 Zc
53	1x6	100-96	Con. Link, RC50-2 H.D.
54	1x4	603-84	Con. Link, RC60-1 H.D.
55	6	127-65	Spring Torsion - 1.16x0.35
56	6	606-39	Slider Block -1/2" Shaft
57	6	606-35	Tensioner Asm, Chain
58	6	127-64	Spring, Torsion - .76x1.9

8.0 Fuel System & Seat Assembly Conquest Parts Manual



Ref	Qty	Part No.	Description
1	1	803-50	Handrail Assembly
2	4	108-03	Lockwasher 1/4
3	6	112-41	PHMS, PHIL 1/4-20x1.25 Zinc
4	1	608-39	Back Pad Asm
5	1	608-43	Seat, Bench
6	1	608-30	Angle, Left
7	1	608-31	Angle, Right
9	6	112-04	HHCS 1/4-20x3/4 Gr2 Zc
10	6	108-03	Lockwasher 1/4
13	1	804-17	Frame Asm, Seat
15	2	112-78	Clamp, Hose, 9/16" - Black
16	2	120-04	Washer .19x.50x.08 Zinc
17	1	608-32	Tool Box
18	1	608-28	Pickup Assembly, Fuel (See Ref. 19)
19	1	608-24	Tank, Fuel - 32 litre (incl. Ref. 18)
20	4	112-79	Clamp, Hose, 1/2" - Black
21	1	608-42	Fuel Hose - 110"
22	1	125-64	Fuel Filter
23	2	100-12	Clamp, Gear 2.25" HF-36
24	1	125-94	Hose, Filler
25	1	126-47	Neck Asm, Fuel
26	1	126-46	Cap, Fuel
27	1	127-21	Hose, Vent - 86"
28	1	126-50	Male Connector, 1/4"
29	5	126-94	Clamp, Nylon Wire - 1/4"ID
30	6	112-04	HHCS 1/4-20x3/4 Gr2 Zc
31	12	117-10	Locknut, Nylon#10-24 Zc
33	3	126-93	Clamp, Nylon Wire - 1/2"ID
34	4	108-08	Washer .28x.62x.04 Zinc
35	8	120-09	Rivet 3/16x1 - Black
37	4	702-06	Foam Cushion
38	1	117-54	Nut, Locking PAL 1/2-20 Zc
39	12	112-07	RHMS 10-24~1.25 Zc
40	12	108-42	Washer .21x1.0x.06 Zinc
41	1	49040-2065	Pump, Fuel
43	2	117-27	Locknut, Nylon 1/4-20 Zc



Conquest Parts Manual

9.0 Electrical System

Ref	Qty	Part No.	Description
1	1	100-39A-1	Key
1 a	1	127-17	Switch, Ignition - Conquest (incl. Ref. 1)
2	1	100-62	Switch, Light
3	1	613-61	Wire Harness - Conquest (incl. Fuse Holders)
4	1	126-76	Knob, Light
5	1	108-55	Lockwasher 7/16 External Tooth
6	1	127-54	Battery, Exide 45-50
7	1	613-14	Wire, Ground - 14"
8	1	604-52	Bracket, Battery Retaining
9	2	117-21	Locknut, Nylon 5/16-18 Zc
10	8	100-64	Tie Wrap, 5.5" - Black
11	10	120-09	Rivet 3/16x1 - Black
11 a	6	120-13	Rivet 3/16x5/8 - Black
12	16	126-93	Clamp, Nylon Wire-1/2" ID
13	1	108-57	Lockwasher 3/4 Internal Tooth
15	5	127-24	Clamp, Nylon - 1" ID
25	1	613-37	Terminal Strip, Ground
31	1	632-15	Hourmeter
32	1	633-10	Voltmeter
35	1	634-22	Gauge, Water Temperature
36	2	634-08	Light, Indicator
37	2	634-10	Light Kit, #06215-00
38	2	117-27	Locknut, Nylon 1/4-20 Zc
39	1	21066-2070	Regulator, Voltage
40	2	103-63	PHMS, PHIL 1/4-20x1.0 Zc
44	2	120-15	Rivet 1/8x7/16
46	2	118-48	Heat Shrink, 2 x 1/2
47	2	118-02	Terminal, Male #76-1251
52	1	613-46	Terminal Insulator (2 ga.)
53	1	127-55	Cap, Battery Terminal
54	1	118-53	Fuse, 20A 2 prong (AT020)
55	2	118-49	Fuse, 15A 2 prong (AT015)
58	4	117-10	Locknut, Nylon #10-24 Zc
59	3	118-52	Fuse, 10A 2 prong (AT010)
61	4	103-25	PHMS #10-24x3/4 Zc
62	2	127-56	Terminal, Battery Post
68	2	613-62	Headlamp Asm (incl. Refs. 71 & 78)
71	2	127-46	Bulb, Headlight - Halogen
72	1	118-51	Fuse, 30A 2 prong (AT030)
74	2	118-60	Block - Fuse, 8 position (4 fuse)
75	1	118-61	Terminal - Fuse, quad
76	1	118-63	Terminal - Fuse, triple
77	9	118-62	Terminal - Fuse, single
78	2	613-62RB	Bezel, Rubber Headlamp

ARGO Products Manufactured by:

Ontario Drive & Gear Limited

P.O. Box 280,220 Bergey Court

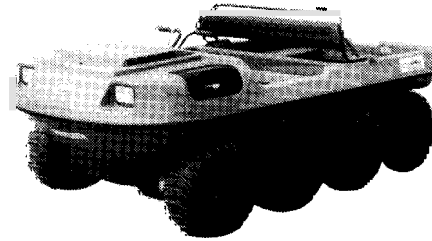
New Hamburg, Ontario

Canada NOB 2G0

Phone: (519) 662-2840

Fax: (519) 662-2421

ODG *Dedicated to quality and performance*



ARGO

CONQUEST PARTS MANUAL

**Model Nos. V899-37 &
V899-38**

From Serial #CB17117

Foreword

ODG has prepared this parts manual for the CONQUEST model to assist both qualified mechanics and vehicle owners in ordering correct, quality replacement ARGO parts.

Proper and regular service, and replacing old, worn or broken parts with the correct ARGO replacement parts, are both essential to prolonging the life of the ARGO. Please refer to this parts manual before ordering any replacement part.

All information contained in this CONQUEST Parts Manual is based on the latest product specification available at time of printing. If your CONQUEST differs from the specifications contained in this manual, contact Ontario Drive & Gear Limited for information.

ODG reserves the right to alter specifications on the CONQUEST model at any time, without obligation or prior notification.

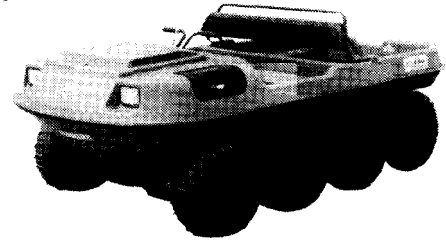
Reproduction of this CONQUEST Parts Manual, in whole or in part, is prohibited without prior written permission from Ontario Drive & Gear Limited.

Model Identification

CONQUEST - Model Nos. V899-37 and V899-38

Explanation of Parts Manual Format

Ref	- Reference number between assembly diagram and component parts list
Part No.	- Argo replacement part number for identification and re-ordering
Description	- Part description for identification and re-ordering
Qty	- Indicates the quantity of a part used in an Assembly

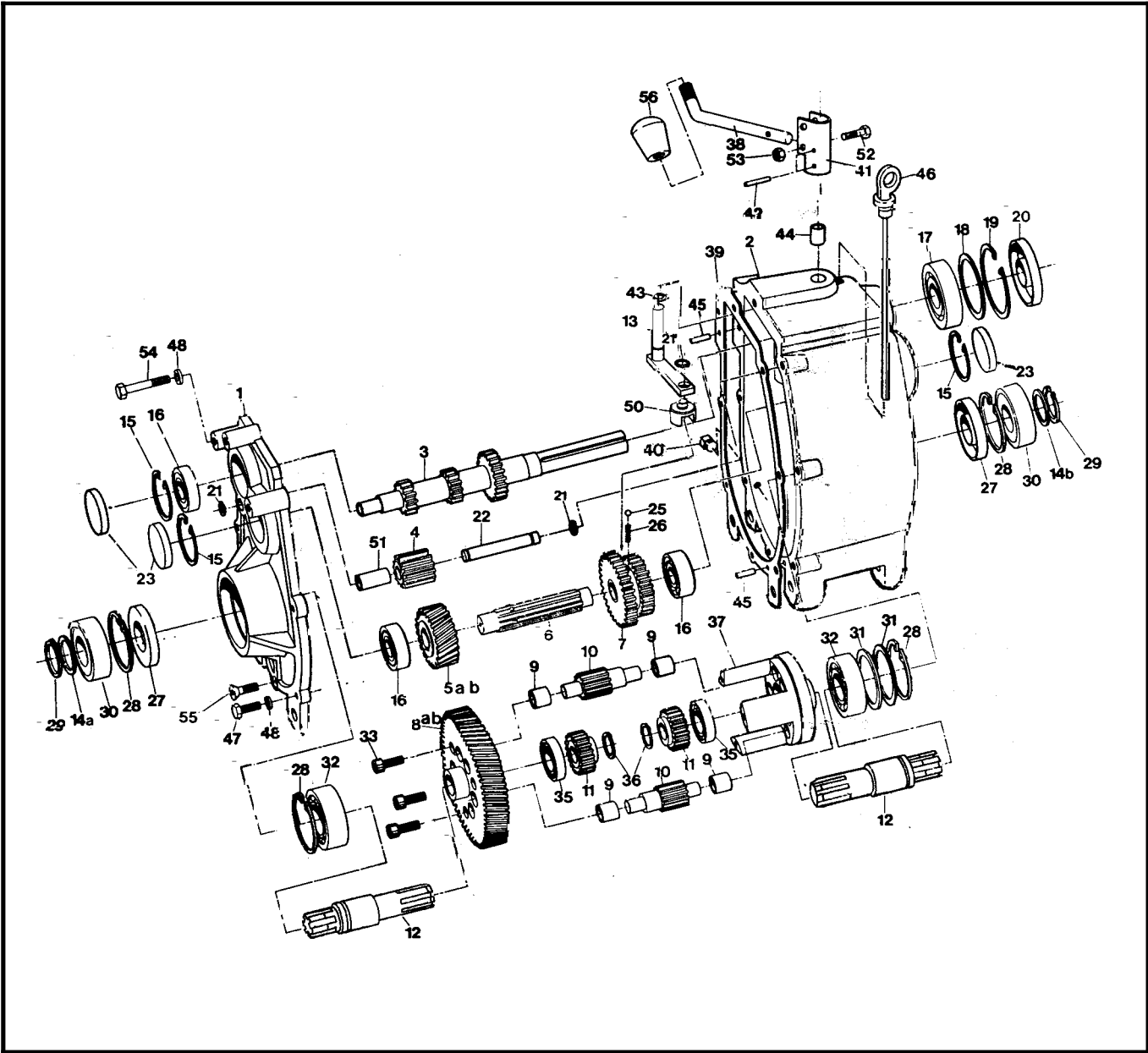


Using the Parts Manual

- 1 Find the major vehicle assembly in the Table of Contents on this page, and turn to that section.
2. Locate the part in the illustration that you wish to order.
3. Refer to the parts list in that section.
- 4 Find the correct part number (Part No.), part description (Description) and correct quantity (Qty).
5. Use *only* this information to order ARGO replacement parts. *DO NOT* attempt to order a replacement part by reference number or page number.

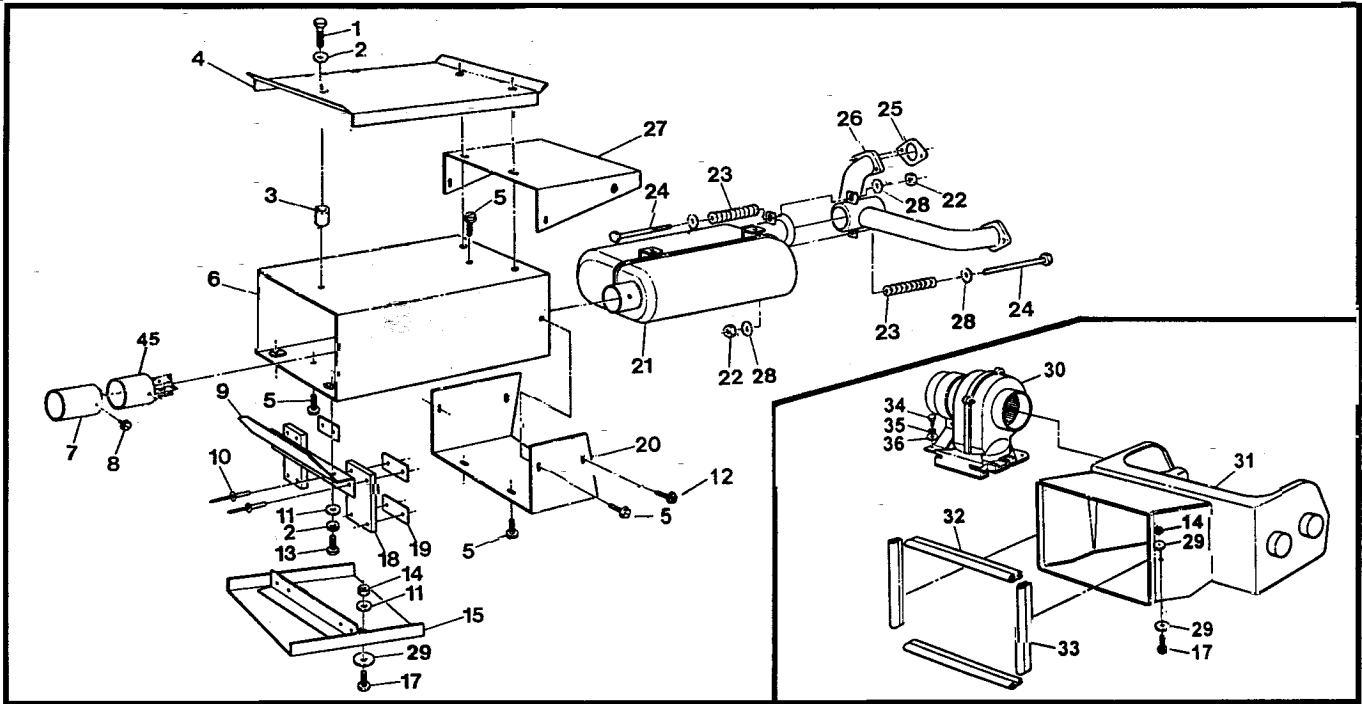
Table of Contents

Foreword	i
Model Identification	i
Using the Parts Manual	ii
1.0 Transmission	1
2.0 Intake and Exhaust System	3
3.0 Clutch System	3
4.0 Power Pack Assembly	5
5.0 Brake System - Hydraulic	7
6.0 Vehicle Body & Firewall	9
7.0 Frame & Drive System	11
8.0 Fuel System & Seat Assembly	13
9.0 Electrical System	15

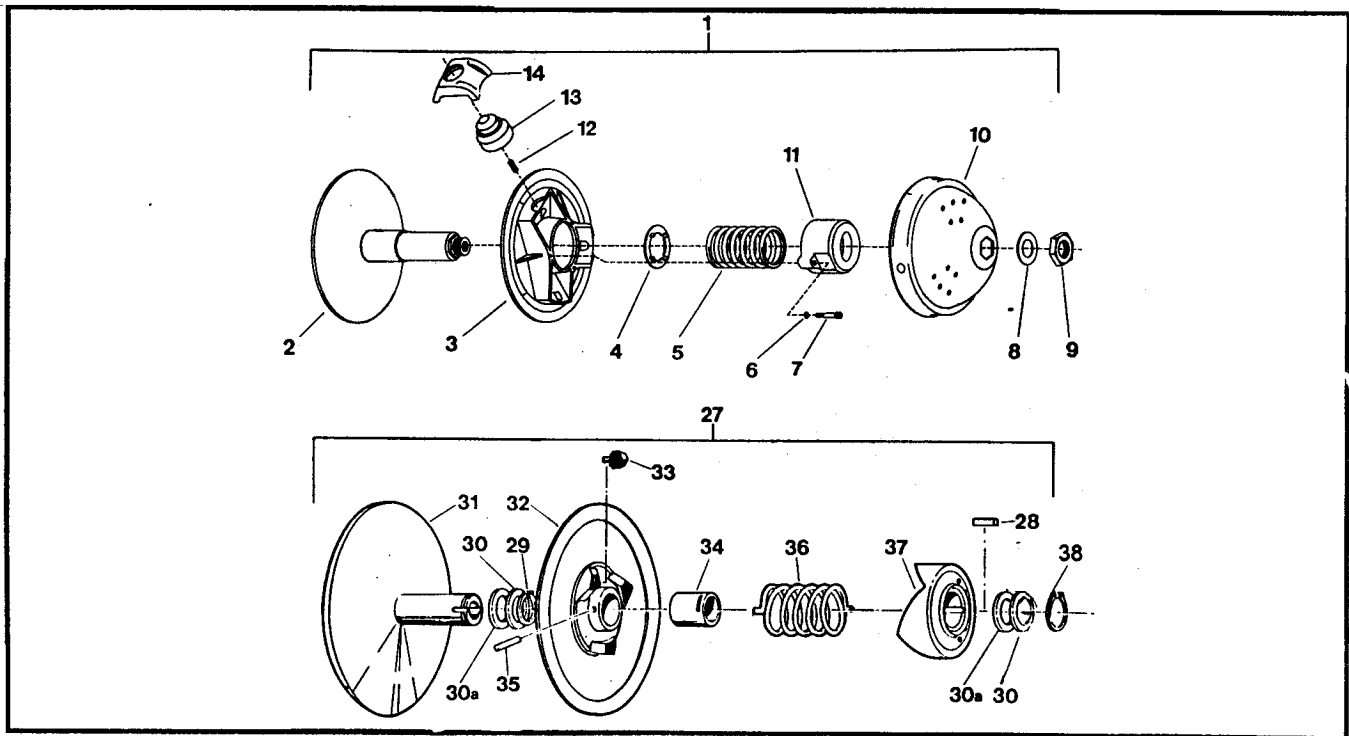


Ref	Qty	Part No.	Description
		610-18M	Transmission Asm - M, does not include Refs 38, 52, 53 & 56, uses Refs 5a & 8a
		610-18G	Transmission Asm - G, does not include Refs 38, 52, 53 & 56, uses Refs 5b & 8b
1	1	34-68	Cover, Transmission
2	1	34-99	Housing, Transmission
3	1	34-21	Shaft, Input - 13/21T
4	1	34-16A	Gear, Idler - 13T (incl. Ref 51)
5a	1	34-95	Gear, Helical - 24T - M
5b	1	34-97	Gear, Helical - 21T - G
6	1	34-94	Shaft, Spline
7	1	34-91	Gear, Double - 26/33T
8a	1	34-22	Gear Plate - 73T - M
8b	1	34-45	Gear Plate - 76T - G
9	12	105-03	Bushing, Oilite - 1/2 x 3/4
10	6	34-13	Gear, Planet - 12T
11	2	34-14	Gear, Sun - 21T
12	2	34-98	Shaft, Output
13	1	34-65	Shifter Asm.
14a	1	114-04	Washer, Shim .040 Thk
14b	1	114-05	Washer, Shim .020 Thk
15	3	106-01	Retaining Ring
16	3	101-01	Bearing, Ball 6204Z-C3
17	1	101-16	Bearing, Ball 6206-C3
18	as req.	114-02	Washer, Shim 2.06x2.42x.02
19	1	106-05	Retaining Ring
20	1	102-05	Seal, Oil WBS 30x62x10
21	3	107-05	Retaining Ring
22	1	34-11	Pin, Dowel 1/2 x 3.50
23	3	31-07	Plug Plate
25	1	109-05	Ball, Steel 6mm 62-67 Rc
26	1	34-32	Spring, Compression - 7/32x.50
27	2	102-03	Seal, Oil WBS 30x72x10
28	4	106-03	Retaining Ring
29	2	107-02	Retaining Ring
30	2	101-05	Bearing, Ball 6306-2NSE C3
31	2	114-01	Washer, Shim 2.25x2.81x.02
32	2	101-03	Bearing, Ball 6207-C3
33	3	103-04	SHCS 5/16-18x1.0 Bare
35	2	101-15	Bearing, Ball 6005-C3
36	2	107-04	Retaining Ring
37	1	34-08	Cage
38	1	610-77	Lever, Shift
39	1	34-47	Gasket, Cover - 1/64" Thk
40	1	103-02	Plug, Magnetic 3/8-18 NPT
41	1	34-86	Holder, Shift Lever
42	2	111-01	Pin, Spring 5/32x1.0
43	1	113-01	O-Ring
44	1	105-02	Bushing, Oilite - 1/2 x 1.0
45	2	104-03	Pin, Dowel 1/4 x 7/8
46	1	34-77	Dipstick, with breather
47	4	103-06	HHCS 5/16-18x1.0 GR5 Zc
48	7	108-05	Lockwasher 5/16
50	1	34-63	Shift Yoke
51	1	105-05	Bushing, Oilite - 1/2 x 1.5 (in Ref. 4)
52	1	103-97	HHCS 1/4-20x1.25 GR5 Zc
53	1	117-27	Locknut, Nylon 1/4-20 Zc
54			See Section 4.0 Power Pack Assembly
55	1	103-95	FHSC 5/16-18x1.0 GR8 Zc
56	1	126-38	Knob, Shift

2.0 Intake and Exhaust System Conquest Parts Manual



3.0 Clutch System



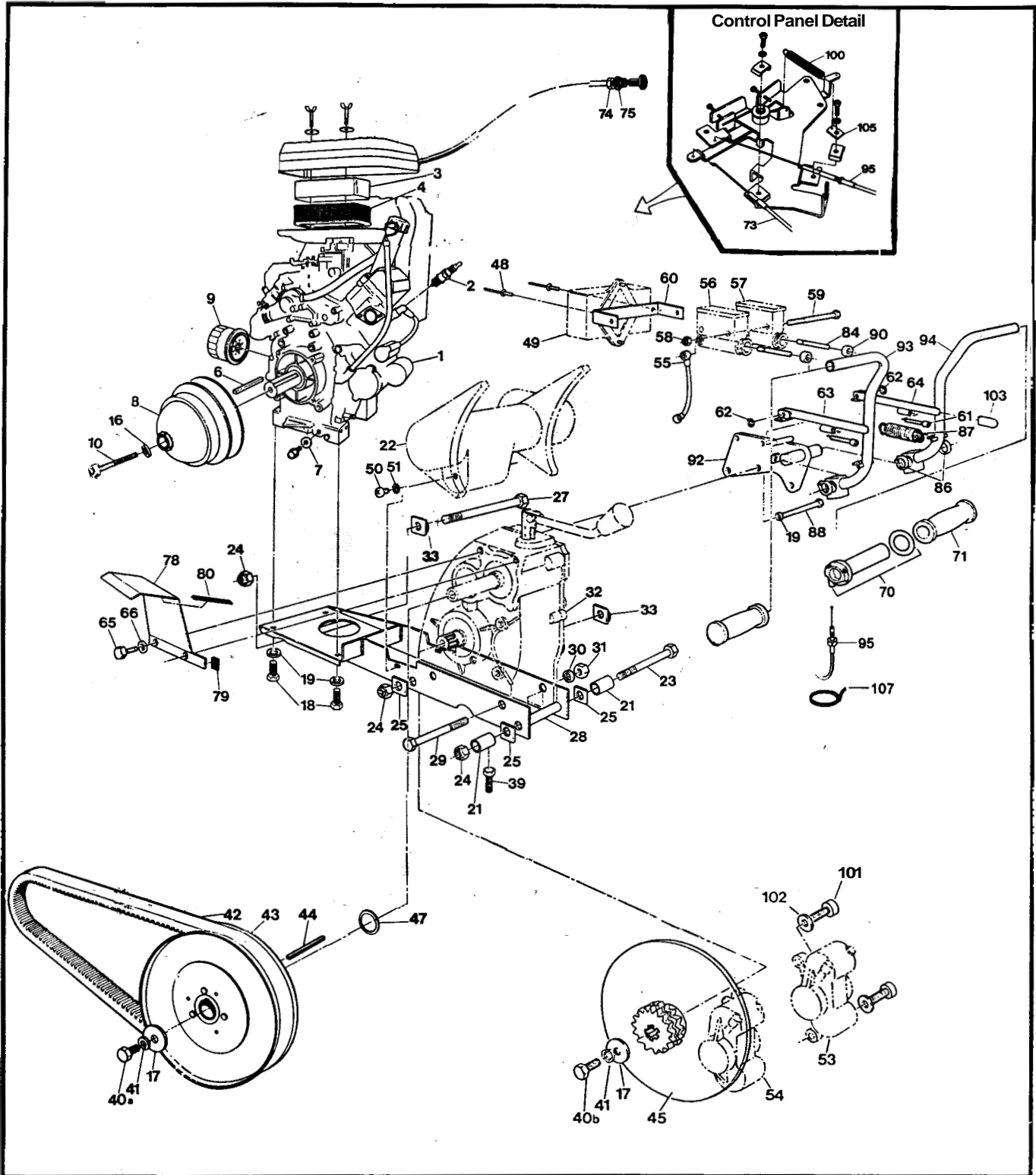
Conquest Parts Manual 2.0 Intake and Exhaust System

Ref	Qty	Part No.	Description
1	3	103-97	HHCS 1/4-20x1.25 Gr5 Zc
2	5	108-03	Lockwasher 1/4
3	3	807-71	Spacer
4	1	807-72	Shield, Heat
5	7	112-19	Screw IHWH T/C 1/4-20x1/2
6	1	807-41	Shield Asm, Muffler
7	1	807-75	Pipe, Muffler Outlet
8	1	112-43	Screw, IHWH #8x3/8
9	1	807-43	Support, Upper
10	8	120-09	Rivet 3/16x1 - Black
11	4	108-08	Washer .28x.62x.04 Zinc
12	2	55	T/S Pan Hd Phil #10 x 5/8
13	2	112-04	HHCS 1/4-20x3/4 Gr2 Zc
14	4	117-27	Locknut, Nylon 1/4-20 Zc
15	1	807-49	Support, Lower
17	4	103-63	PHMS, PHIL 1/4-20x1.0 Zc
18	2	126-07	Support, Flex
19	4	807-69	Washer, Special
20	1	807-70	Cover, Lower
21	1	807-42	Muffler Asm - Conquest

Ref	Qty	Part No.	Description
22	2	117-25	Nut, Conelock 5/16-18
23	2	100-10	Spring, Compression
24	2	112-18	SHCS 5/16-18x2.25
25	2	11060-2079	Gasket, Muffler
26	1	807-66	Manifold Asm
27	1	807-38	Cover, Manifold
28	4	108-24	Washer .34x.70x.06 Zc
29	6	108-01	Washer, Fender 1/4 BSx1.25OD
30			See Section 5.0 Brake System
31	1	807-76	Duct, Routed Intake
32	2	807-77	Seal, Radiator - 11.5" lg.
33	2	807-78	Seal, Radiator - 9.75" lg.
34	4	103-47	HHCS, #10-24x1/2
35	4	120-05	Washer, .19x.50x.04
36	4	108-59	Lockwasher #10 Int. Tooth
45	1	807-67	Spark Arrester

3.0 Clutch System

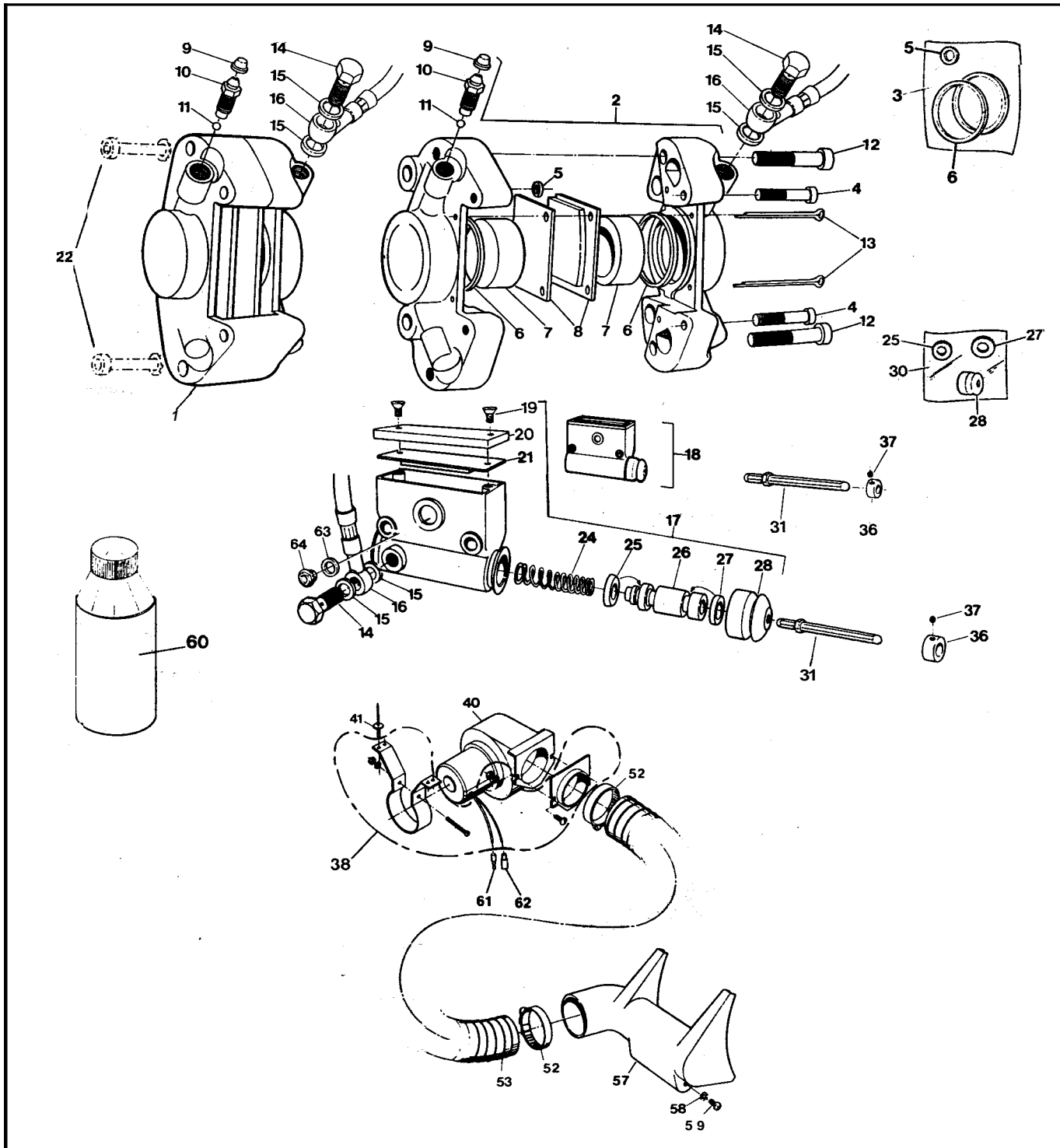
Ref	Qty	Part No.	Description
1	1	127-71	Clutch, Driver - Keyed (incl. Refs 2 to 14)
2	1	0405-0020	Pulley, Half - Fixed
3	1	0410-0006	Pulley, Half - Sliding
4	1	V09	Plate, Spring Guide
5	1	V10-48-103-18	Spring
6	3	420-2453-700	Lockwasher
7	3	222-9640-66	SHCS
8	1	0080-0153	Washer, Zc
9	1	0080-0100	Nut
10	1	0115-0003(A)	Cap
11	1	0440-0001	Cover, Spring
12	3	C24-L1	Spring, Anti-noise
13	3	C13-266T	Weight, 266g
14	3	0130-3002	Block, Red
27	1	126-24	Clutch, Driven - Model "B" (incl. Refs 28 to 37)
28	1	ASK-5	Key 1/4x1/4x5/8
29	1	ASR-6	Retaining Ring
30	as req	ASA-1-S	Spacer .025" Thick
30a	as req	ASA-1	Spacer .050" Thick
31	1	AFK25.4-250OD01	Pulley, Half - Fixed
32	1	AMC-2-250OD01	Pulley, Half - Sliding incl. Refs. 33, 34 & 35
33	3	ANS-2-T	Shoe, Cam
34	1	AMB-2	Bushing, Bronze
35	1	111-01	Pin, Spring 5/32x1.0
36	1	ACS-3-188	Spring, Blue
37	1	AFC-4-C3D4	Cam
38	1	371-9031-0	Retaining Ring



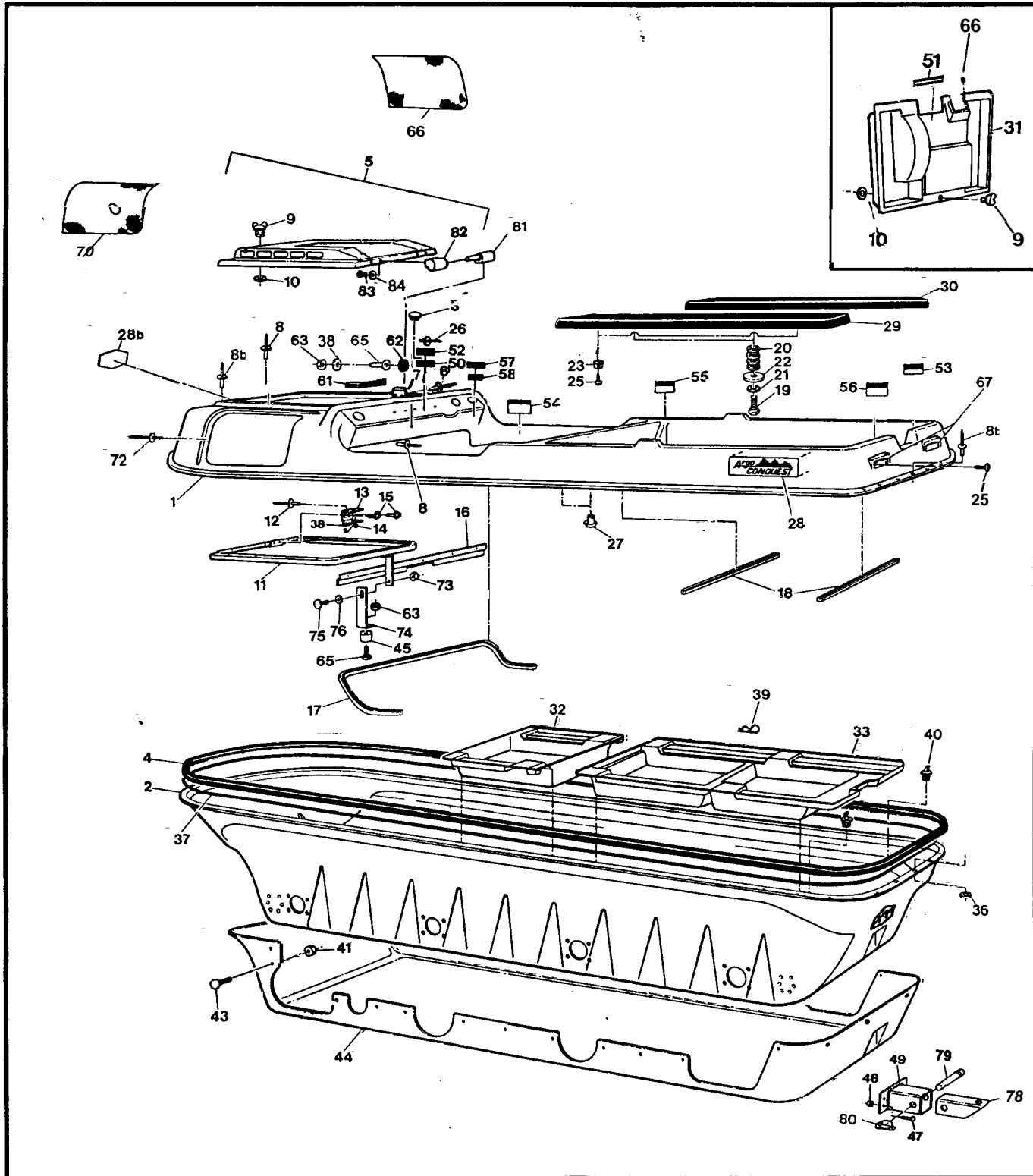
Conquest Parts Manual

4.0 Power Pack Assembly

Ref	Qty	Part No.	Description	Ref	Qty	Part No.	Description
1	1	FD620D-GS12	Engine - Kawasaki, (incl. Refs. 2, 3, 4, 7, 9, 49)	48	2	120-13	Rivet 3/16x5/8 - Black
2	2	92070-2072	Sparkplug, BMR4A	49	1	21119-2157	Igniter
3	1	11013-2114	Element, Air Filter - Foam	50 to 57			See Section 5.0 Brake System
4	1	11013-2139	Element, Air Filter - Paper	58	2	117-27	Locknut, Nylon 1/4-20 Zc
6	1	110-13	Key 1/4x1/4x2.25	59	2	103-66	HHCS 1/4-20x4.0 Gr5 Zc
7	1	11009-2566	Gasket, Drain Plug	60	1	610-75	Bracket, Igniter
8			See Section 3.0 Clutch System	61	2	103-69	SHCS 1/4-20x1.5 Zc
9	1	127-68	Filter, Oil	62	2	113-02	O-Ring
10	1	112-15	SHCS M10x1,5x90mm	63	1	810-20	Lever Asm, Brake - LH
16	1	108-54	Lockwasher, Hi-Collar - M10	64	1	810-21	Lever Asm, Brake - RH
17	3	108-18	Washer .40x1.37x.12 Zc	65	2	103-17	HHCS 3/8-16x1.0 Gr5 Zc
18	4	112-30	SHCS M8x1,25x20mm Zc	66	2	108-26	Washer 3/8 Zc
19	7	108-05	Lockwasher 5/16 Zc	70	1	127-81	Throttle Twist Grip
21	2	811-14	Spacer	71	2	127-35	Grip, Molded
22			See Section 5.0 Brake System	73	1	812-29	Cable Asm, Choke - Conq.
23	1	112-57	HHCS 5/8-11x10.0 Gr5 Zc	74	1	117-68	Nut, Jam 3/8-24 UNF Zinc
24	3	117-09	Locknut, Nylon 5/8-11 Zc	75	1	108-32	Lockwasher 3/8 Int. Tooth
25	3	811-09	Washer, Square - .64 ID	78	1	603-29	Guard, Belt Protect
27	2	112-58	HHCS 5/8-11x7.5 Gr5 Zc	79	1	601-92	Vinyl Trim - 1.5"
28	1	811-30	Frame, Powerpack - Conq.	80	1	601-93	Vinyl Trim - 4.25"
29	2	103-20	HHCS 1/2-13x6.5 Gr5 Zc	84			See Section 5.0 Brake System
30	2	108-07	Lockwasher 1/2	86	4	106-07	Retaining Ring
31	2	117-06	Nut, Fin Hex 1/2-13 Zc	87	2	127-33	Spring, Extension
32			See Section 1.0 Transmission	88	3	103-55	HHCS 5/16-18x2.75 Gr5 Zc
33	2	811-15	Washer, Square Lock .64 ID	90			See Section 5.0 Brake System
39	2	103-53	HHCS 3/8-16x3.0 Gr5 Full Thread	92	1	812-01	Bracket Asm, Steering
40a	1	103-34	HHCS 3/8-16x1.25 Gr5 Zc	93	1	812-27	Lever Asm, Steering - LH
40b	2	103-18	HHCS 3/8-24x1.25 Gr5 Zc	94	1	812-26	Lever Asm, Steering - RH
41	3	108-06	Lockwasher 3/8 Split Ring Zc	95	1	612-101	Cable Asm, Throttle
42	1	125-56	Drive Belt	100	1	127-11	Spring, Extension
43			See Section 3.0 Clutch System	101	4	103-41	SHCS 3/8-16x1.25 Zc
44	1	110-09	Key 1/4x1/4x3.0	102	4	108-23	Washer 3/8 SAE Gr8 - Dich.
45	2	610-80	Brake Disc #50-2x13T	103	2	126-89	Cap, Vinyl - Black
47	as req	108-36	Washer 1.03x1.37x.06 Zinc	105	1	601-86	Clip, Retainer
				107	1	100-64	Tie Wrap - 5.5" - Black

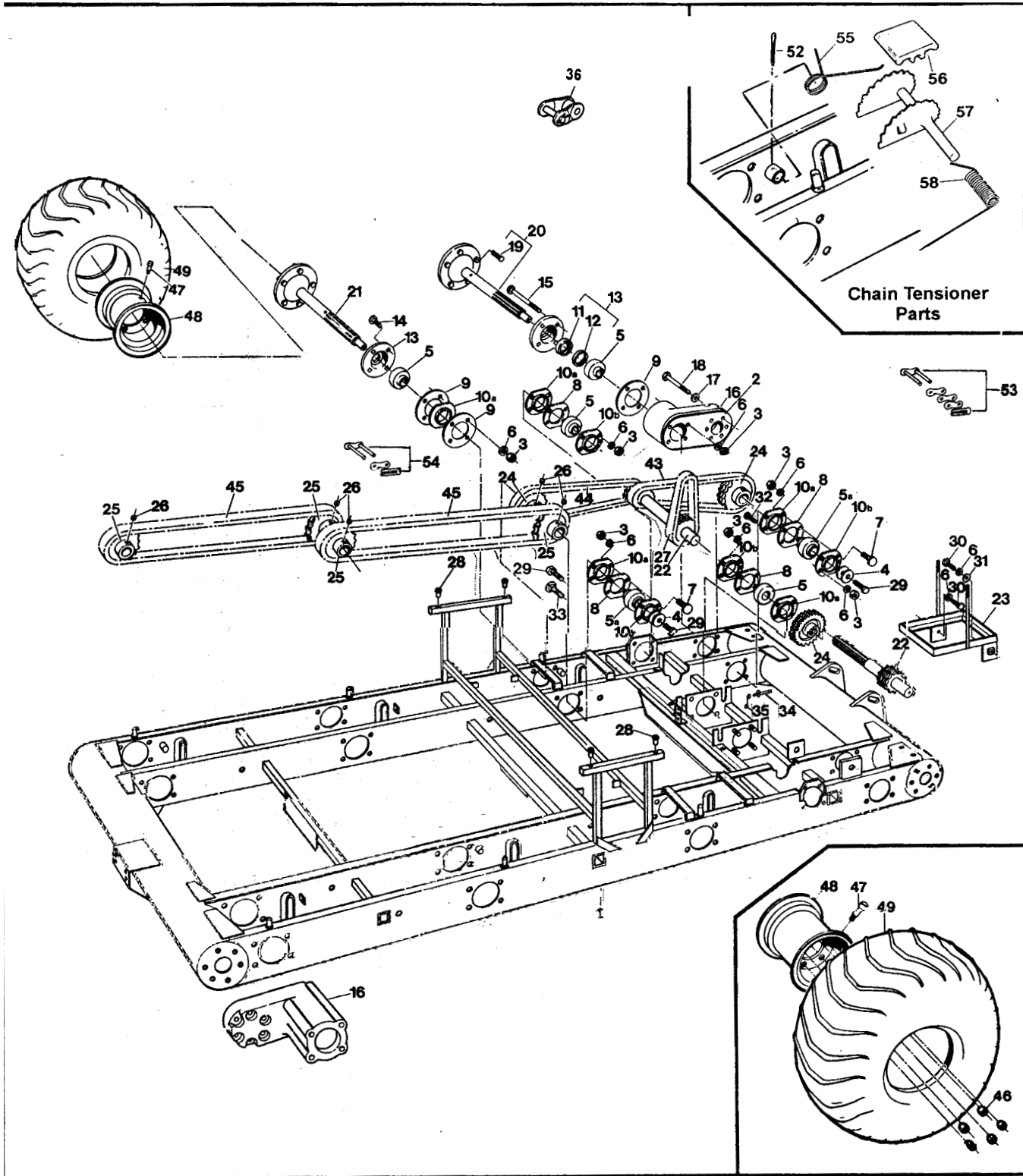


Ref	Qty	Part No.	Description
1	1	166-01RM	Caliper, Brake - L w/o Pads (incl. Refs 5, 6, 7, 9 - 12)
2	1	166-02RM	Caliper, Brake - R w/o Pads (incl. Refs 5, 6, 7, 9 - 12)
3	2	161-01	O-Ring Kit, Caliper (incl. Refs 5 & 6)
4	2	160-40	SHCS M8x1,25x40 Zc
5	1		Seal, Rubber - 5mm (see Ref 3)
6	2		Seal, Piston - 41mm (see Ref 3)
7	2x2	168-05	Piston 41mm
8	1	170-02	Brake Pad Set (4) - Metallic (Asbestos-free)
9	1x2	168-20	Plug, Rubber
10	1x2	168-03	Screw, Bleeding M10x1,0
11	1x2	109-03	Ball, Steel - 7/32 Dia.
12	2x2	160-41	SHCS M10x1,5x50mm Zc
13	2x2	168-06	Pin, Cotter 3,2x50mm
14	4	160-44	Bolt, Banjo-M10x1,0x21,0 Zc
15	8	160-01	Washer, Copper-1,5x10,0x14,0
16	1x2	163-01	Hose Asm, Hydraulic-310mm
17	1	165-06	Master Cylinder - left (incl. Refs 19 to 21, 24 to 28, 63 & 64)
18	1	165-05	Master Cylinder - right (incl. Refs 19 to 21, 24 to 28, 63 & 64)
19	2x2	160-42	FHMS M5x0,8x6mm
20	1x2	168-08	Cover
21	1x2	168-09	Cover, Rubber
22			See Section 4.0 Power Pack Assembly
24	1x2	162-02	Spring, Comp. 0.59x1.5
25	1x2		Seal, Primary, 19mm (See Ref. 30)
26	1x2	168-10	Piston 19mm dia.
27	1x2		Seal, Secondary, 19mm (See Ref. 30)
28	1x2		Boot, Rubber (See Ref. 30)
30	1x2	161-25	O-Ring Kit - Master Cylinder (incl. Refs 25, 27 & 28)
31	2	812-13	Pin Asm, Plunger-Adjustable
36	2	812-17	Collar
37	2	112-02	SHSS 10-24x1/4 Knurl Cup PT, PL
38		125-92	Adpt. & Mounting Kit - includes the following:
	1		Mounting Bracket
	1		Nut, #10-32
	1		Lockwasher, 3/16"
	1		Screw, #10-32x2"
	2		Nut, 1/4-20
	2		Lockwasher, 1/4"
	2		Screw, 1/4-20x5/8"
	1		Adaptor, 3" dia.
40	1	125-91	Blower Fan
41			See Section 2.0 Intake and Exhaust System
52	2	125-35	Clamp, Gear 3.50" HF-52
53	1	127-06	Hose, Intake - 3" dia. x 26"
57	1	126-36	Brake Cool Air Duct
58	2	108-56	Lockwasher 1/4 Ext. Tooth
59	2	103-63	PHMS, Phil 1/4-20x1.0 Zinc
60		126-19	Fluid, Brake - Silicon Dot 5 - .35L
61	1	118-02	Terminal, Male #76-1251
62	1	118-03	Terminal, Female #76-1289
63	1x2	160-03	O-ring, Oil Window
64	1x2	168-14	Oil Window, Master Cylinder



Ref	Qty	Part No.	Description
1	1	801-98	Body & Hood, Upper - Conq, (spec. colour) (incl. Ref 5,11,12,13,14,15)
2	1	801-48BL	Body, Lower - Conq, (spec. colour)
3	1	127-28	Plug, Nylon - Black
4	1	801-05	Bumper, Vinyl - 8x8
5	1	602-34	Hood Kit - Conq, (spec. colour) (incl. 7, 8, 9, 10, 81, 82, 83, 84)
7	1	602-38	Clip, Hood
8	23	120-13	Rivet 3/16x5/8 - Black
8b	63	120-09	Rivet 3/16x1 - Black
9	2	126-10	Wing Stud
10	2	126-09	Grommet, Alum.
11	1	602-24	Frame Asm, Hood
12	2	120-15	Rivet 1/8x7/16
13	1	601-69	Spring Plate
14	1	126-11	Spring
15	2	103-72	Screw, IHWH T/C Slot 1/4-20x3/4
16	1	602-29	Brace, Dash
17	1	601-08	Trim, Vinyl - 84"
18	2	601-09	Trim, Vinyl - 28"
19	4	112-04	HHCS 1/4-20x3/4 Gr2 Zc
20	16	108-25	Washer .31x.75x.06 Zc
21	4	108-03	Lockwasher 1/4
22	4	801-41	Washer, Seat
23	4	126-79	Bumper, Plastic - Black
25	8	103-48	T/S Pan HD PHIL #10x5/8
26	26	120-24	Rivet, 3/32x3/8 Alum. (all plates)
27	4	117-44	T-Nut 1/4-20 Zinc
28	2	127-27	Nameplate - Conquest
28b	1	601-44	Nameplate - Argo
29	1	801-03	Seat, Rear LH - 8x8
30	1	801-02	Seat, Rear RH - 8x8
31	1	609-33	Firewall - Hydraulic Brakes
32	1	803-02	Floor Pan - Front - (spec. colour)
33	1	803-03	Floor Pan - Rear - (spec. colour)
36	57	120-04	Washer .19x.50x.08 Zinc
37	1	126-60	Vinyl Strip 1/2"x1/4"x37.5'
38	4	120-05	Washer .19x.50x.04 Zc

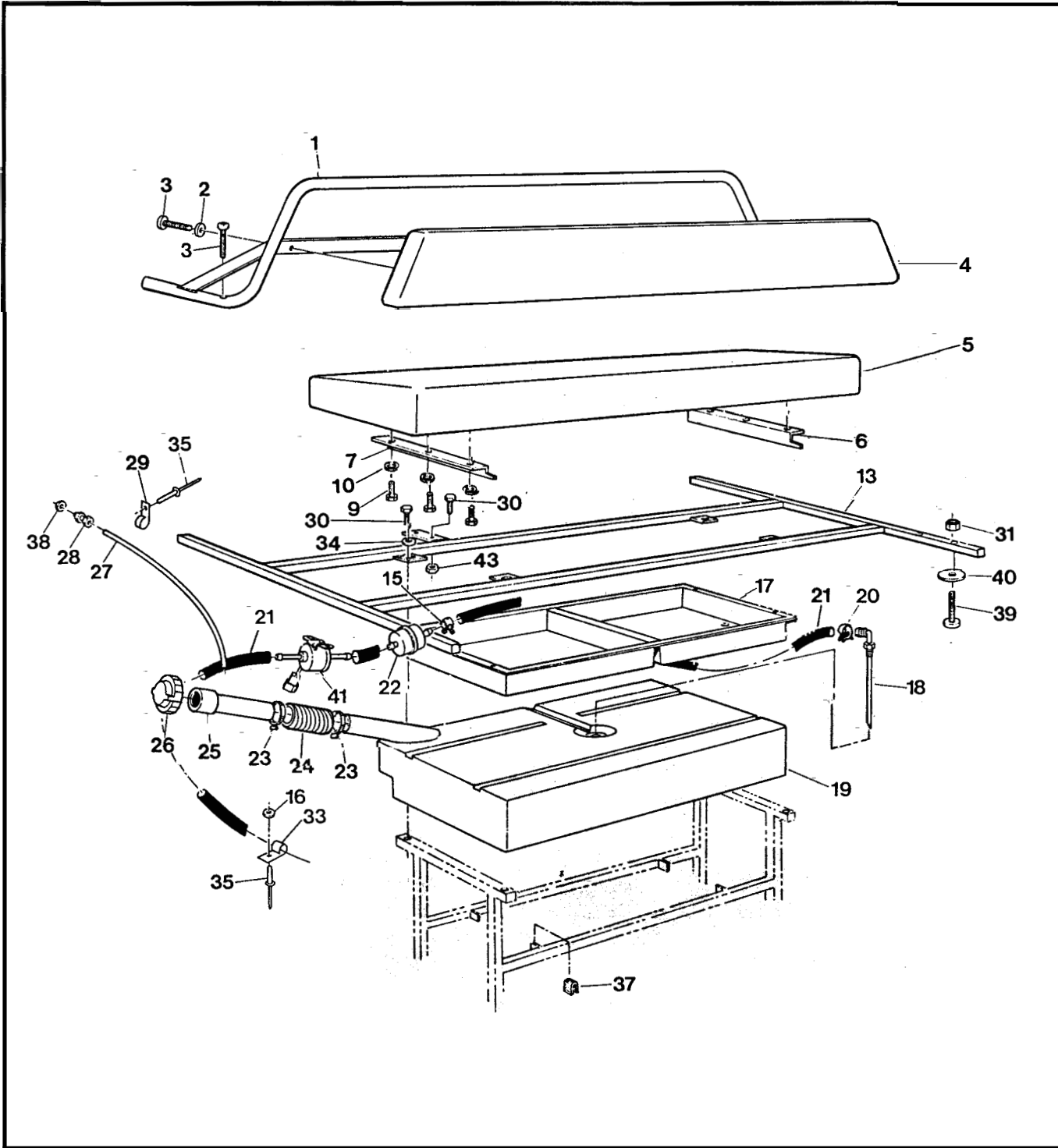
Ref	Qty	Part No.	Description
39	6	100-16	Clip, Hitch Pin 1.625 Zc
40	2	100-18	Plug, Drain 5/8"x13/32"
41	32	120-28	Collar, Magna Grip
43	32	120-27	Pin, Magna Grip
44	1	863-11	Skid Plate, 8x8 - Black
45	1	126-88	Bumper, Rubber
47	4	103-61	HHCS 3/8-24x1.5 Gr5 Zc
48	4	117-24	Locknut, Nylon 3/8-24 Zc
49	1	616-16	Hitch Assembly
50	1		Vehicle ID Plate, Alum.
51	1	126-65	Plate, Shifting
52	1	127-26	Plate, Steering Lever+Winch
53	1	126-67	Plate, Floor Pan
54	1	126-68	Plate, Operation
55	1	126-69	Plate, Fuel
56	1	127-76	Plate, Cap. Land/Water
57	1	126-72	Plate, Holding Brake
58	1		U.S. Plate, Non-U.S. Argos only
61	1	125-41	Handle, Dash (incl. 62)
62	2		Plug Cap, (avail. only with 61)
63	3	117-10	Locknut, Nylon #10-24 Zc
65	3	103-25	PHMS #10-24x3/4 Zinc
66	1	125-84	Grommet, Rubber
67	2	127-01	Reflector, Red
69	1	807-73	Screen, Intake - Conquest
70	1	807-74	Screen, Exhaust - Conquest
72	28	120-11	Rivet 5/32 x 9/16 - Black
73	1	117-15	Nut, Fin Hex 3/8-16 Zinc
74	1	602-27	Support, Adjustable
75	1	103-89	C/Bolt 3/8-16x3/4 Gr2 Zinc
76	1	108-06	Lockwasher 3/8
78	1	616-19	Tube, Hitch
79	1	104-13	Pin, Top Link
80	1	104-11	Pin, Lynch
81	2	127-45A	Pin, Hinge
82	2	127-45B	Knuckle, Hinge
83	8	103-47	HHCS 10-24x1/2
84	8	108-59	Lockwasher #10 Int. Tooth Zinc



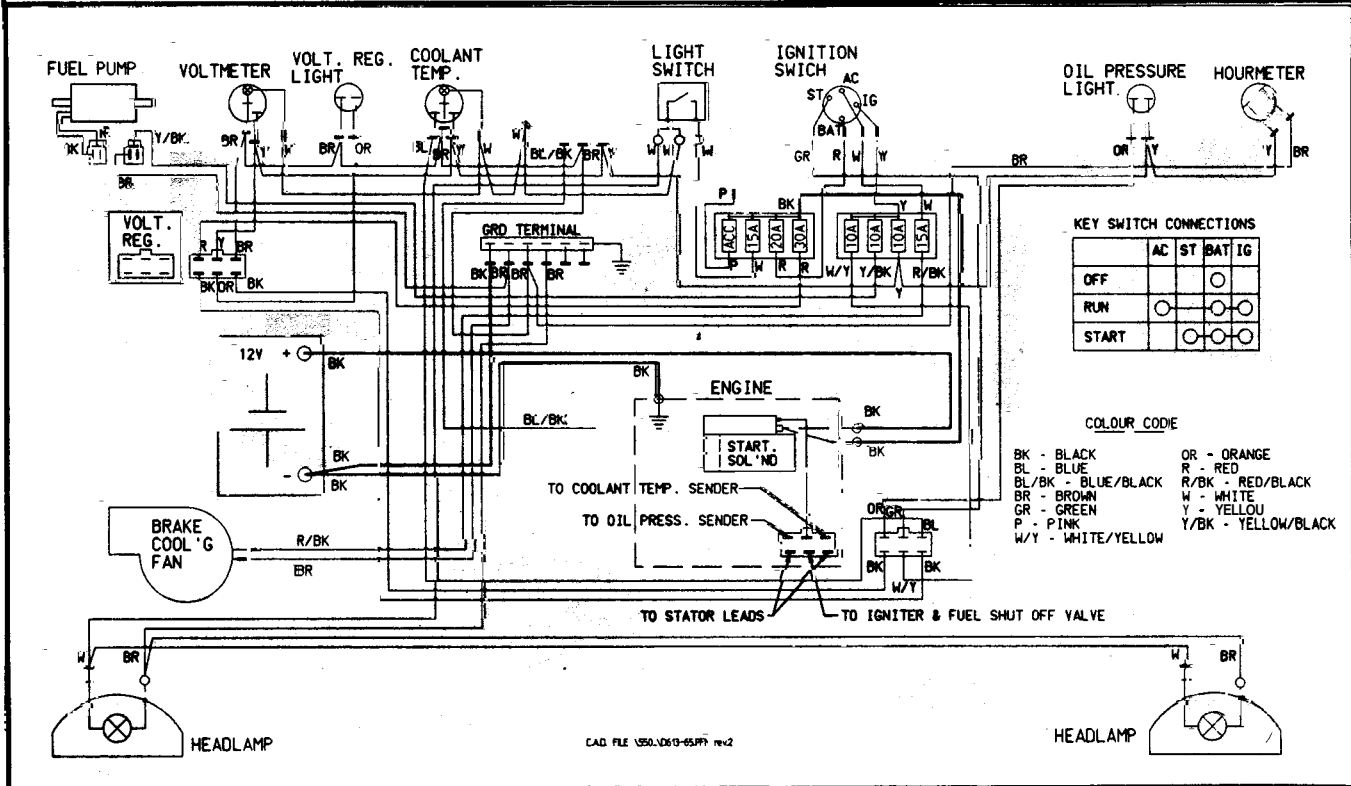
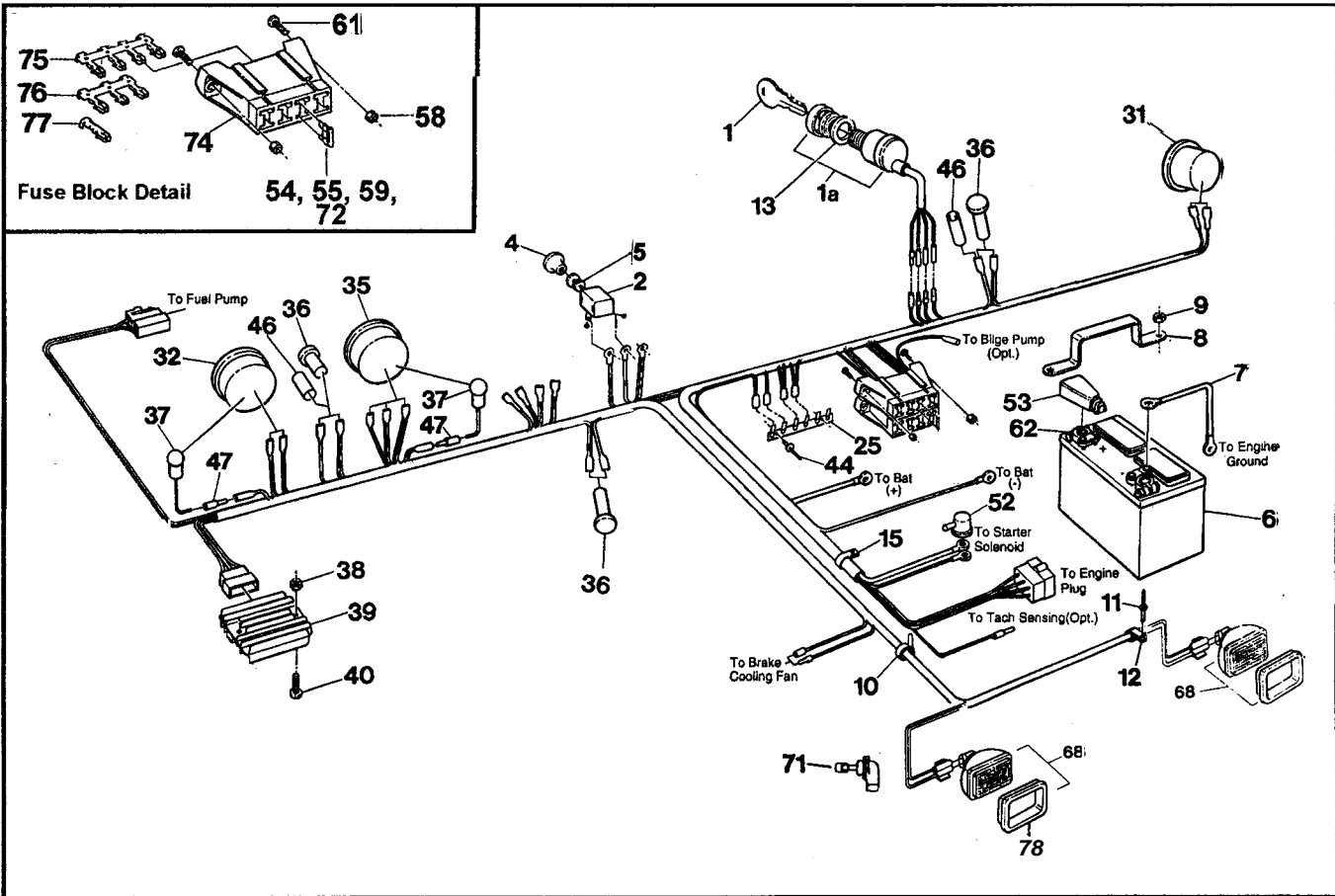
Conquest Parts Manuals 7.0 Frame and Drive System

Ref	Qty	Part No.	Description
1	1	806-00	Frame Asm - 8x8
2	4	605-69	Gasket - Bearing Extension
3	80	117-15	Nut, Fin Hex 3/8-16 Zinc
4	16	108-46	Washer .40x1.37x.12 Hi-Carbon
5	12	101-35	Bearing, Ball - 1.25
5a	8	101-41	Bearing, Ball - 1.0
6	82	108-06	Lockwasher 3/8
7	30	103-88	C/Bolt 3/8-16x1.0 Gr5 Zc
8	12	605-99	Gasket, Flange - Inner
9	12	605-89	Gasket, Flange - Outer
10a	16	605-63	Flange - 4 hole
10b	12	101-20	Flange, Greasable - 4 hole
11	8	102-14	Seal, Oil 1.25x1.75x0.188
12	8	102-15	Seal, Oil 1.25x1.874x0.25
13	8	605-97	Flange Asm, Outer (incl. Refs. 11 & 12)
14	16	112-39	C/Bolt 3/8-16x1.75 Gr5 Zc
15	16	103-67	C/Bolt 3/8-16 x 6 Gr2 Zc
16	4	810-36	Bearing Extension (uses Refs. 17 & 18)
17	24	108-34	Washer 7/16 SAE Zinc
18	24	103-81	HHCS 7/16-20x2.5 Gr5 Zc
19	5x8	103-80	Stud, Wheel 7/16-20x1.125 #B271
20	4	810-73	Axle Asm - Front/Rear (incl. Ref. 19)
21	4	810-75	Axle Asm - Mid (incl. Ref. 19)
22	2	810-32	Shaft, Idler - 1I T
23	1	604-84	Frame Asm, Battery
24	6	810-28	Sprocket, Double - 24T
25	8	606-34	Sprocket, S60x19T
26	10	112-03	SHSS 5/16-18x3/8 1/2 DOG, PL
27	2	803-17	Chain, Idler RC50-2x40P (incl. Ref. 53)
28	4	117-64	Insert, 1/4-20
29	12	112-31	HHCS 3/8-16x1.0 2B Gr8 Zc
30	2	112-14	HHCS 3/8-16x.75 Gr5 Zc
31	1	108-15	Washer 3/8 SAE Zc
32	2	103-82	HHCS 3/8-16x1.5 Gr5 Zc
33	4	112-61	C/Bolt 3/8-16 x 1.25 Gr5 Zc
34	2	120-15	Rivet 1/8x7/16
35	1	126-11	Spring
36		127-80	Link, Half - RC60 - 1 (opt.)
43	2	603-17	Chain, RC50-2 x 42P-Front (incl. Ref. 53)
44	2	603-20	Chain, RC50-2 x 70P-Mid (incl. Ref. 53)
45	4	603-93	Chain, RC60-1 x 84P-Rear (incl. Ref. 54)
46	5x8	117-35	Nut, Wheel 7/16-20 Zc
47	8	125-26	Valve, Tire
48	8	125-13C	Rim - Charcoal
49	8	126-96	Tire, Goodyear Runamuk 22x10-8
52	6	100-01	Pin, Cotter 1/8x1.50 Zc
53	1x6	100-96	Con. Link, RC50-2 H.D.
54	1x4	603-84	Con. Link, RC60-1 H.D.
55	6	127-65	Spring Torsion - 1.16x0.35
56	6	606-39	Slider Block -1/2" Shaft
57	6	606-35	Tensioner Asm, Chain
58	6	127-64	Spring, Torsion - .76x1.9

8.0 Fuel System & Seat Assembly Conquest Parts Manual



Ref	Qty	Part No.	Description
1	1	803-50	Handrail Assembly
2	4	108-03	Lockwasher 1/4
3	6	112-41	PHMS, PHIL 1/4-20x1.25 Zinc
4	1	608-39	Back Pad Asm
5	1	608-43	Seat, Bench
6	1	608-30	Angle, Left
7	1	608-31	Angle, Right
9	6	112-04	HHCS 1/4-20x3/4 Gr2 Zc
10	6	108-03	Lockwasher 1/4
13	1	804-17	Frame Asm, Seat
15	2	112-78	Clamp, Hose, 9/16" - Black
16	2	120-04	Washer .19x.50x.08 Zinc
17	1	608-32	Tool Box
18	1	608-28	Pickup Assembly, Fuel (See Ref. 19)
19	1	608-24	Tank, Fuel - 32 litre (incl. Ref. 18)
20	4	112-79	Clamp, Hose, 1/2" - Black
21	1	608-42	Fuel Hose - 110"
22	1	125-64	Fuel Filter
23	2	100-12	Clamp, Gear 2.25" HF-36
24	1	125-94	Hose, Filler
25	1	126-47	Neck Asm, Fuel
26	1	126-46	Cap, Fuel
27	1	127-21	Hose, Vent - 86"
28	1	126-50	Male Connector, 1/4"
29	5	126-94	Clamp, Nylon Wire - 1/4"ID
30	6	112-04	HHCS 1/4-20x3/4 Gr2 Zc
31	12	117-10	Locknut, Nylon #10-24 Zc
33	3	126-93	Clamp, Nylon Wire - 1/2"ID
34	4	108-08	Washer .28x.62x.04 Zinc
35	8	120-09	Rivet 3/16x1 - Black
37	4	702-06	Foam Cushion
38	1	117-54	Nut, Locking PAL 1/2-20 Zc
39	12	112-07	RHMS 10-24~1.25 Zc
40	12	108-42	Washer .21x1.0x.06 Zinc
41	1	49040-2065	Pump, Fuel
43	2	117-27	Locknut, Nylon 1/4-20 Zc



Ref	Qty	Part No.	Description
1	1	100-39A-1	Key
1a	1	127-17	Switch, Ignition - Conquest (incl. Ref. 1)
2	1	100-62	Switch, Light
3	1	613-61	Wire Harness - Conquest (incl. Fuse Holders)
4	1	126-76	Knob, Light
5	1	108-55	Lockwasher 7/16 External Tooth
6	1	127-54	Battery, Exide 45-50
7	1	613-14	Wire, Ground - 14"
8	1	604-52	Bracket, Battery Retaining
9	2	117-21	Locknut, Nylon 5/16-18 Zc
10	8	100-64	Tie Wrap, 5.5" - Black
11	10	120-09	Rivet 3/16x1 - Black
11a	6	120-13	Rivet 3/16x5/8 - Black
12	16	126-93	Clamp, Nylon Wire-1/2" ID
13	1	108-57	Lockwasher 3/4 Internal Tooth
15	5	127-24	Clamp, Nylon - 1" ID
25	1	613-37	Terminal Strip, Ground
31	1	632-15	Hourmeter
32	1	633-10	Voltmeter
35	1	634-22	Gauge, Water Temperature
36	3	634-08	Light, Indicator
37	2	634-10	Light Kit, #06215-00
38	2	117-27	Locknut, Nylon 1/4-20 Zc
39	1	21066-2070	Regulator, Voltage
40	2	103-63	PHMS, PHIL 1/4-20x1.0 Zc
44	2	120-15	Rivet 8x7/16
46	2	118-48	Heat Shrink, 2 x 1/2
47	2	118-02	Terminal, Male #76-1251
52	1	613-46	Terminal Insulator (2 ga.)
53	1	127-55	Cap, Battery Terminal
54	1	118-53	Fuse, 20A 2 prong (AT020)
55	2	118-49	Fuse, 15A 2 prong (AT015)
58	4	117-10	Locknut, Nylon #10-24 Zc
59	3	118-52	Fuse, 10A 2 prong (AT010)
61	4	103-25	PHMS #10-24x3/4 Zc
62	2	127-56	Terminal, Battery Post
68	2	613-62	Headlamp Asm (incl. Refs. 71 & 78)
71	2	127-46	Bulb, Headlight - Halogen
72	1	118-51	Fuse, 30A 2 prong (AT030)
74	2	118-60	Block - Fuse, 8 position (4 fuse)
75	1	118-61	Terminal - Fuse, quad
76	1	118-63	Terminal - Fuse, triple
77	9	118-62	Terminal - Fuse, single
78	2	613-62RB	Bezel. Rubber Headlamp

ARGO Products Manufactured by:

Ontario Drive & Gear Limited

P.O. Box 280, 220 Bergey Court

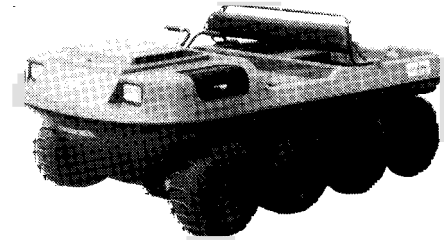
New Hamburg, Ontario

Canada NOB 2G0

Phone: (519) 662-2840

Fax: (519) 662-2421

ODG *Dedicated to quality and performance*



ARGO

CONQUEST

PARTS MANUAL

**Model Nos. V899-37 &
V899-38**

From Serial #CB17857

Foreword

ODG has prepared this parts manual for the CONQUEST model to assist both qualified mechanics and vehicle owners in ordering correct, quality replacement ARGO parts.

Proper and regular service, and replacing old, worn or broken parts with the correct ARGO replacement parts, are both essential to prolonging the life of the ARGO. Please refer to this parts manual before ordering any replacement part.

All information contained in this CONQUEST Parts Manual is based on the latest product specification available at time of printing. If your CONQUEST differs from the specifications contained in this manual, contact Ontario Drive & Gear Limited for information.

ODG reserves the right to alter specifications on the CONQUEST model at any time, without obligation or prior notification.

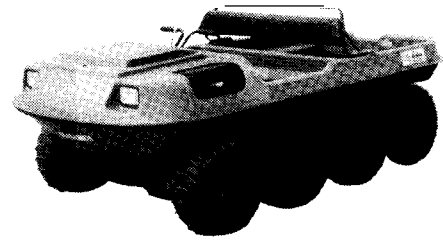
Reproduction of this CONQUEST Parts Manual, in whole or in part, is prohibited without prior written permission from Ontario Drive & Gear Limited.

Model Identification

CONQUEST - Model Nos. V899-37 and V899-38

Explanation of Parts Manual Format

Ref	- Reference number between assembly diagram and component parts list
Part No.	- Argo replacement part number for identification and re-ordering
Description	- Part description for identification and re-ordering
Qty	- Indicates the quantity of a part used in an Assembly

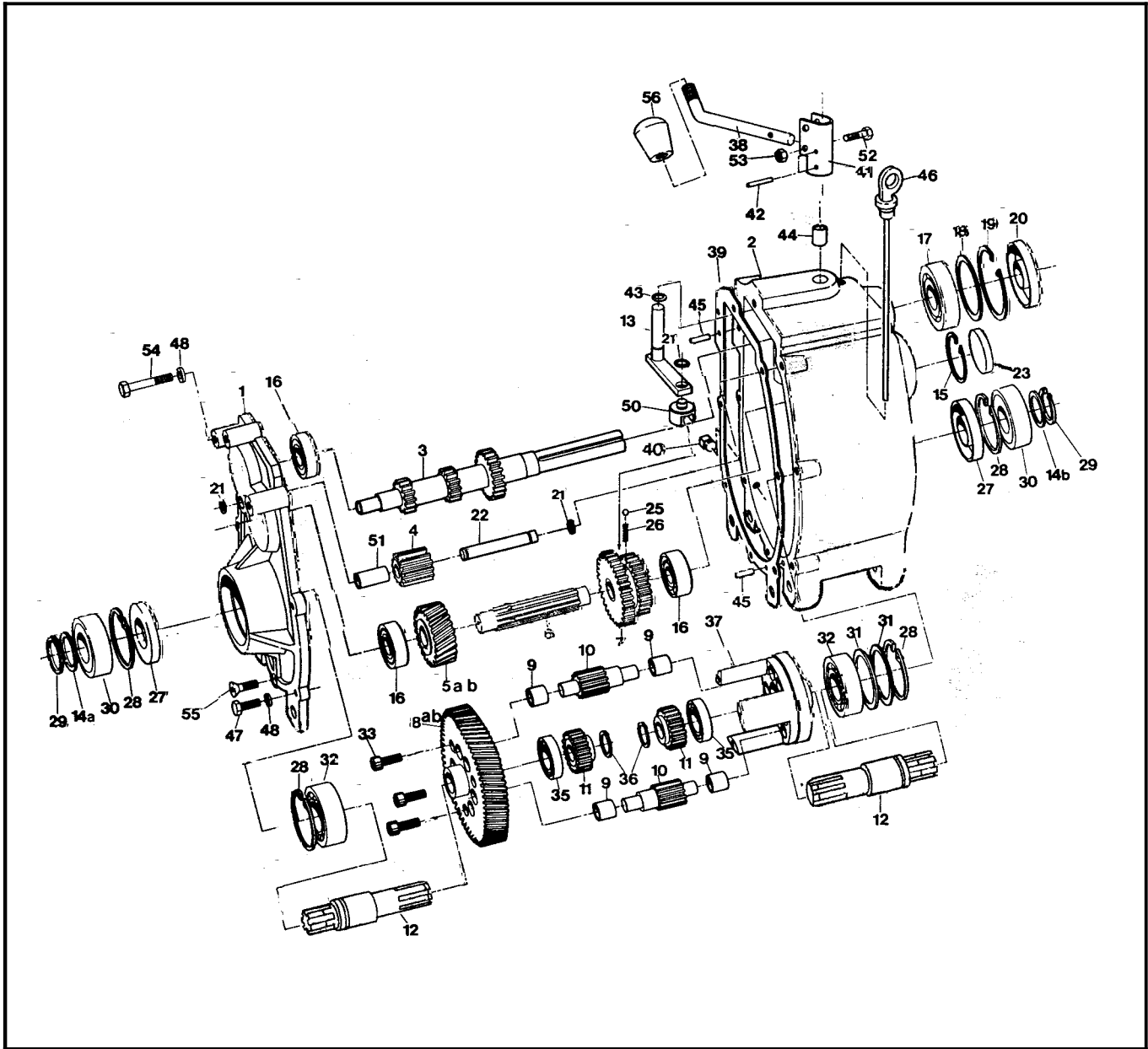


Using the Parts Manual

1. Find the major vehicle assembly in the Table of Contents on this page, and turn to that section.
2. Locate the part in the illustration that you wish to order.
3. Refer to the parts list in that section
4. Find the correct part number (Part No.), part description (Description) and correct quantity (Qty).
5. Use *only* this information to order ARGO replacement parts. *DO NOT* attempt to order a replacement part by reference number or page number.

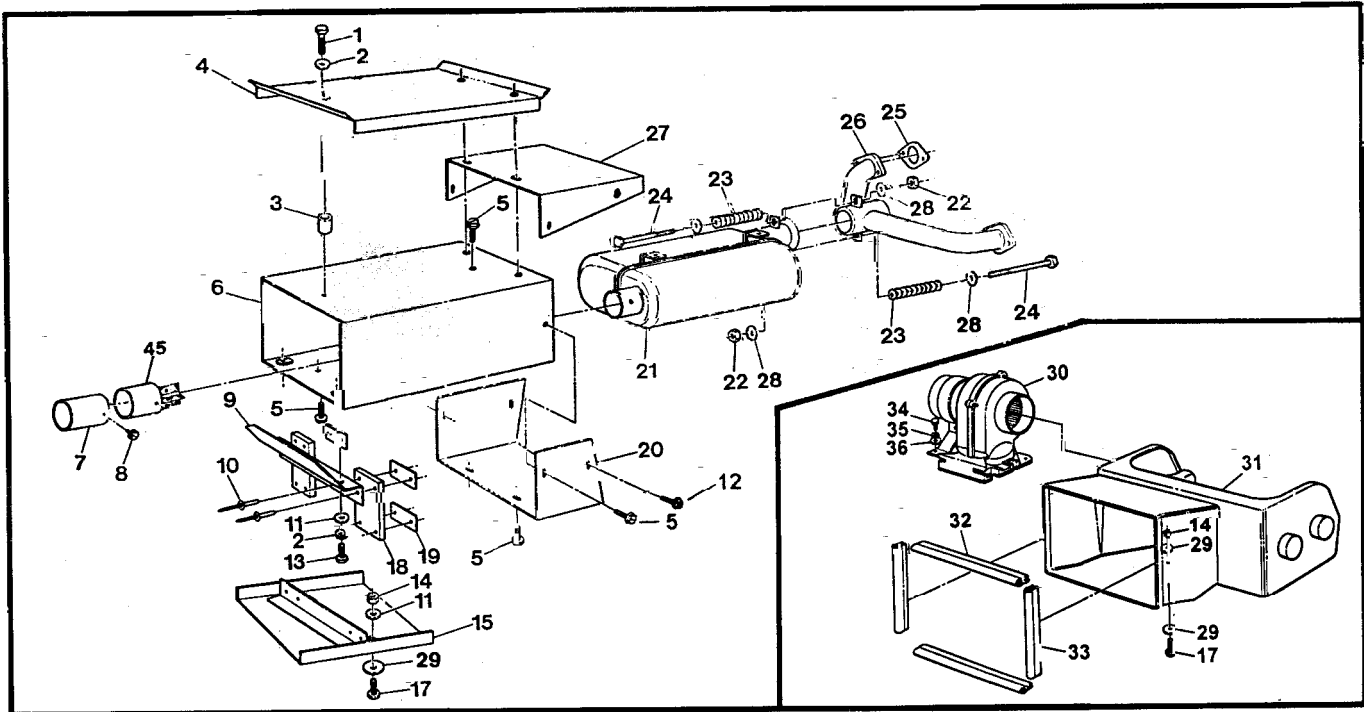
Table of Contents

Foreword	i
Model Identification	i
Using the Parts Manual	ii
1.0 Transmission	1
2.0 Intake and Exhaust System	3
3.0 Clutch System	3
4.0 Power Pack Assembly	5
5.0 Brake System - Hydraulic	7
6.0 Vehicle Body & Firewall	9
7.0 Frame & Drive System	11
8.0 Fuel System & Seat Assembly	13
9.0 Electrical System	15

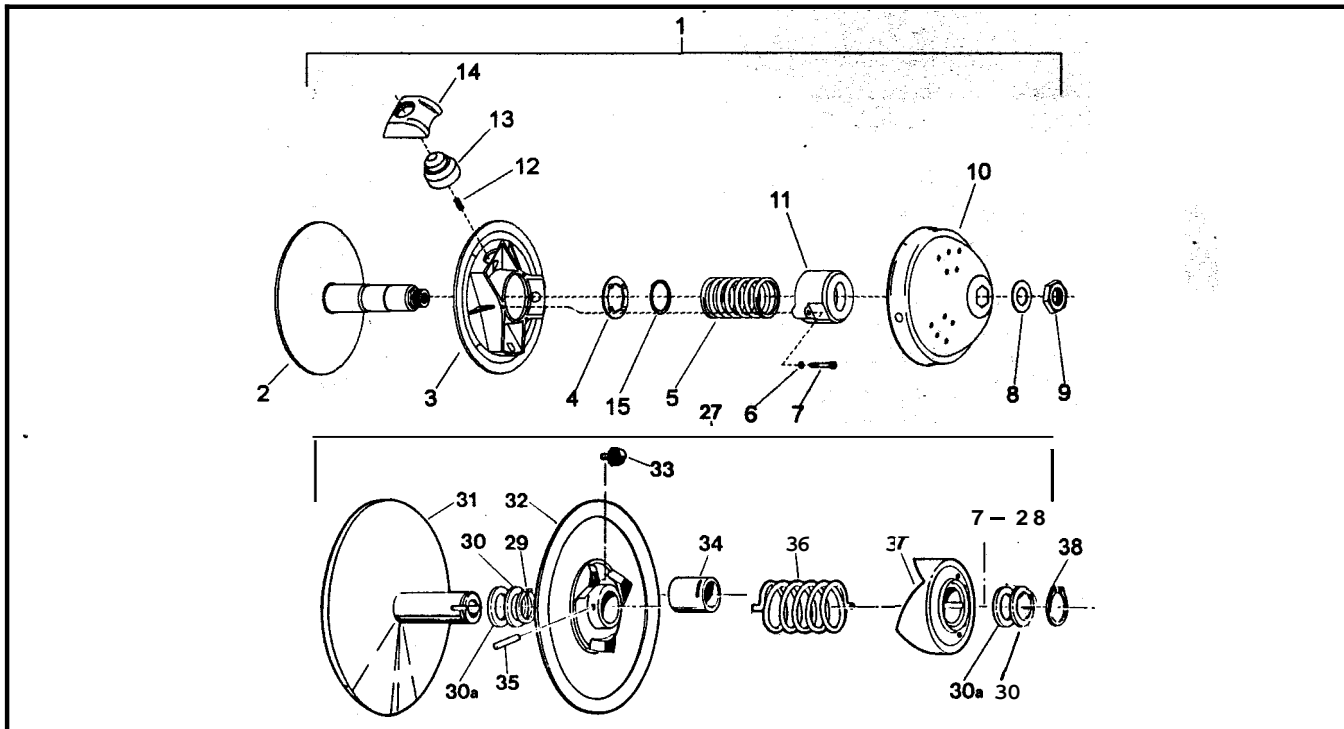


Ref	Qty	Part No.	Description
		10-18M	Transmission Asm - M, does not include Refs 38, 52, 53 & 56, uses Refs 5a & 8a
		10-18G	Transmission Asm - G, does not include Refs 38, 52, 53 & 56, uses Refs 5b & 8b
1	1	14-68	Cover, Transmission
2	1	14-99	Housing, Transmission
3	1	14-21	Shaft, Input - 13/21T
4	1	14-16A	Gear, Idler - 13T (incl. Ref 51)
5a	1	14-95	Gear, Helical - 24T - M
5b	1	14-97	Gear, Helical - 21T - G
6	1	14-94	Shaft, Spline
7	1	14-91	Gear, Double - 26/33T
8a	1	14-22	Gear Plate - 73T - M
8b	1	14-45	Gear Plate - 76T - G
9	12	05-03	Bushing, Oilite - 1/2 x 3/4
10	6	14-13	Sear, Planet - 12T
11	2	14-14	Sear, Sun - 21T
12	2	14-98	Shaft, Output
13	1	14-65	Shifter Asm.
14a	1	14-04	Nasher, Shim .040 Thk
14b	1	14-05	Nasher, Shim .020 Thk
15	1	06-01	Retaining Ring
16	3	01-01	Bearing, Ball 6204Z-C3
17	1	01-16	Bearing, Ball 6206-C3
18	as req.	14-02	dasher, Shim 2.06x2.42x.02
19	1	06-05	Retaining Ring
20	1	02-05	Seal, Oil WBS 30x62x10
21	3	07-05	Retaining Ring
22	1	14-11	Pin, Dowel 1/2 x 3.50
23	1	11-07	Plug Plate
25	1	109-05	Ball, Steel 6mm 62-67 Rc
26	1	14-32	Spring, Compression - 7/32x.50
27	2	102-03	Seal, Oil WBS 30x72x10
28	4	106-03	Retaining Ring
29	2	107-02	Retaining Ring
30	2	101-05	Bearing, Ball 6306-2NSE C3
31	2	114-01	Washer, Shim 2.25x2.81x.02
32	2	101-03	Bearing, Ball 6207-C3
33	3	103-04	SHCS 5/16-18x1.0 Bare
35	2	101-15	Bearing, Ball 6005-C3
36	2	107-04	Retaining Ring
37	1	14-08	Cage
38	1	110-77	Lever, Shift
39	1	34-47	Gasket, Cover - 1/64" Thk
40	1	103-02	Plug, Magnetic 3/8-18 NPT
41	1	34-86	Holder, Shift Lever
42	2	111-01	Pin, Spring 5/32x1.0
43	1	113-01	O-Ring
44	1	105-02	Bushing, Oilite - 1/2 x 1.0
45	2	104-03	Pin, Dowel 1/4 x 7/8
46	1	34-77	Dipstick, with breather
47	4	103-06	HHCS 5/16-18x1.0 GR5 Zc
48	7	108-05	Lockwasher 5116
50	1	34-63	Shift Yoke
51	1	105-05	Bushing, Oilite - 1/2 x 1.5 (in Ref. 4)
52	1	103-97	HHCS 1/4-20x1.25 GR5 Zc
53	1	117-27	Locknut, Nylon 1/4-20 Zc
54			See Section 4.0 Power Pack Assembly
55	1	103-95	FHSC 5/16-18x1.0 GR8 Zc
56	1	126-38	Knob., Shift

2.0 Intake and Exhaust System Conquest Parts Manual



3.0 Clutch System

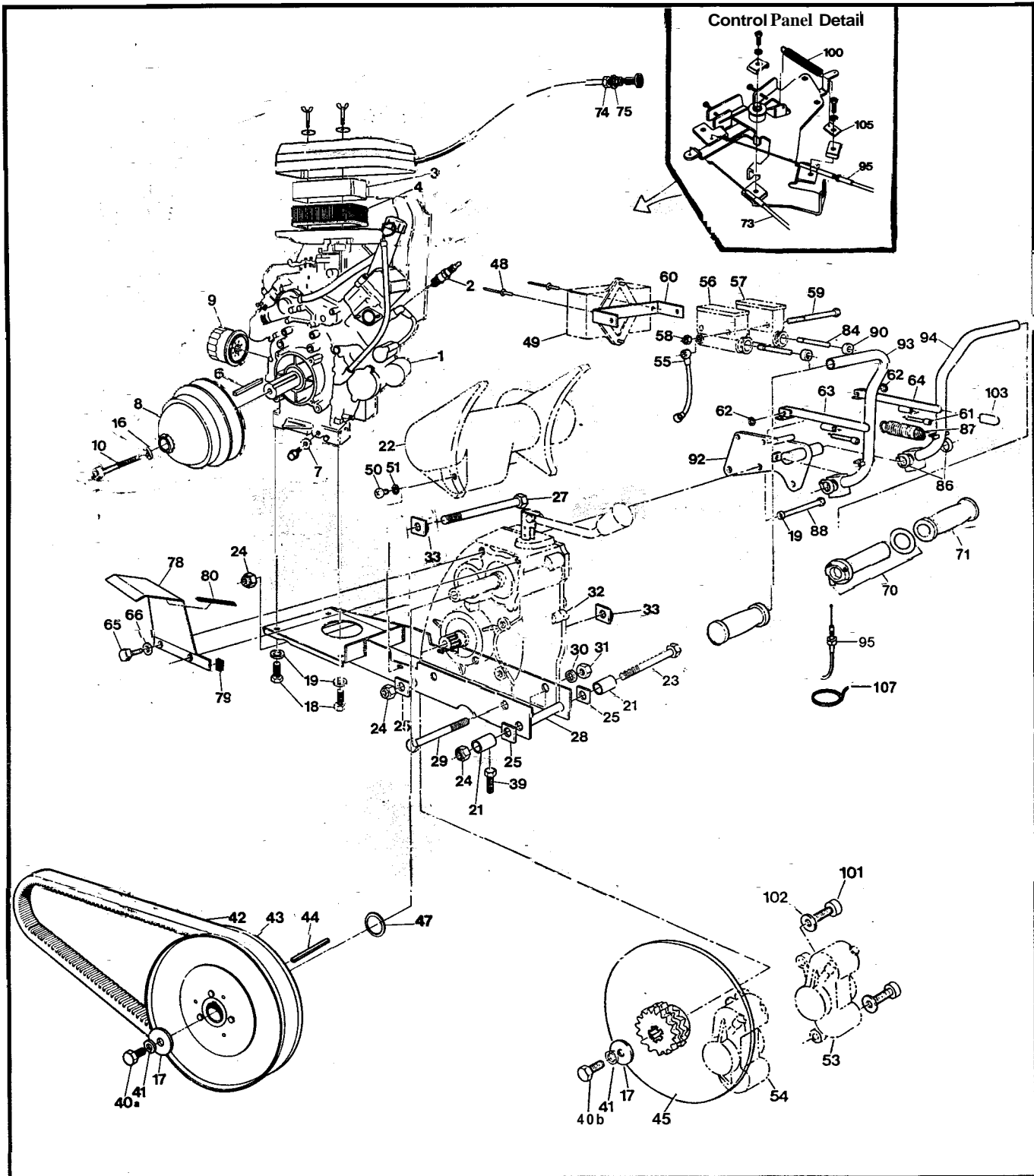


Conquest Parts Manual 2.0 Intake and Exhaust System

Ref	Qty	Part No.	Description	Ref	Qty	Part No.	Description
1	3	103-97	HHCS 1/4-20x1.25 Gr5 Zc	22	2	117-25	Nut, Conelock 5/16-18
2	5	108-03	Lockwasher 1/4	23	2	100-10	Spring, Compression
3	3	807-71	Spacer	24	2	112-18	SHCS 5/16-18x2.25
4	1	807-72	Shield, Heat	25	2	11060-2079	Gasket, Muffler
5	7	112-19	Screw IHWH T/C 1/4-20x1/2	26	1	807-66	Manifold Asm
6	1	807-41	Shield Asm, Muffler	27	1	807-38	Cover, Manifold
7	1	807-75	Pipe, Muffler Outlet	28	4	108-24	Washer .34x.70x.06 Zc
8	1	112-43	Screw, IHWH #8x3/8	29	6	108-01	Washer, Fender 1/4 BSx1.25OD
9	1	807-43	Support, Upper	30			See Section 5.0 Brake System
10	8	120-09	Rivet 3/16x1 - Black	31	1	807-76	Duct, Routed Intake
11	4	108-08	Washer .28x.62x.04 Zinc	32	2	807-77	Seal, Radiator - 11.5" lg.
12	2	55	T/S Pan Hd Phil #10 x 5/8	33	2	807-78	Seal, Radiator - 9.75" lg.
13	2	112-04	HHCS 1/4-20x3/4 Gr2 Zc	34	4	103-47	HHCS, #10-24x1/2
14	4	117-27	Locknut, Nylon 1/4-20 Zc	35	4	120-05	Washer, .19x.50x.04
15	1	807-49	Support, Lower	36	4	108-59	Lockwasher #10 Int. Tooth
17	4	103-63	PHMS, PHIL 1/4-20x1.0 Zc				
18	2	126-07	Support, Flex	45	1	807-67	Spark Arrester
19	4	807-69	Washer, Special				
20	1	807-70	Cover, Lower				
21	1	807-42	Muffler Asm - Conquest				

3.0 Clutch System

Ref	Qty	Part No.	Description
1	1	127-71	Clutch, Driver - Keyed (incl. Refs 2 to 14)
2	1	0405-0044	Pulley, Half - Fixed
3	1	0410-0006	Pulley, Half - Sliding
4	1	V09	Plate, Spring Guide
5	1	V10-48-103-18	Spring
6	3	420-2453-700	Lockwasher
7	3	222-9640-66	SHCS
8	1	0080-0153	Washer, Zc
9	1	0080-0100	Nut
10	1	0115-0003(A)	Cap
11	1	0440-0001	Cover, Spring
12	3	C24-L1	Spring, Anti-noise
13	3	C13-266T	Weight, 266g
14	3	0130-3002	Block, Red
15	1	V08C	Retaining Ring
27	1	126-24	Clutch, Driven - Model "B" (incl. Refs 28 to 37)
28	1	ASK-5	Key 1/4x1/4x5/8
29	1	ASR-6	Retaining Ring
30	as req	ASA-1-S	Spacer .025" Thick
30	as req	ASA-1	Spacer .050" Thick
31	1	AFK25.4-250OD01	Pulley, Half - Fixed
32	1	AMC-2-250OD01	Pulley, Half -Sliding incl. Refs. 33, 34 & 35
33	3	ANS-2-T	Shoe, Cam
34	1	AMB-2	Bushing, Bronze
35	1	111-01	Pin, Spring 5/32x1.0
36	1	ACS-3-188	Spring, Blue
37	1	AFC-4-C3D4	Cam
38	1	371-9031-0	Retaining Ring

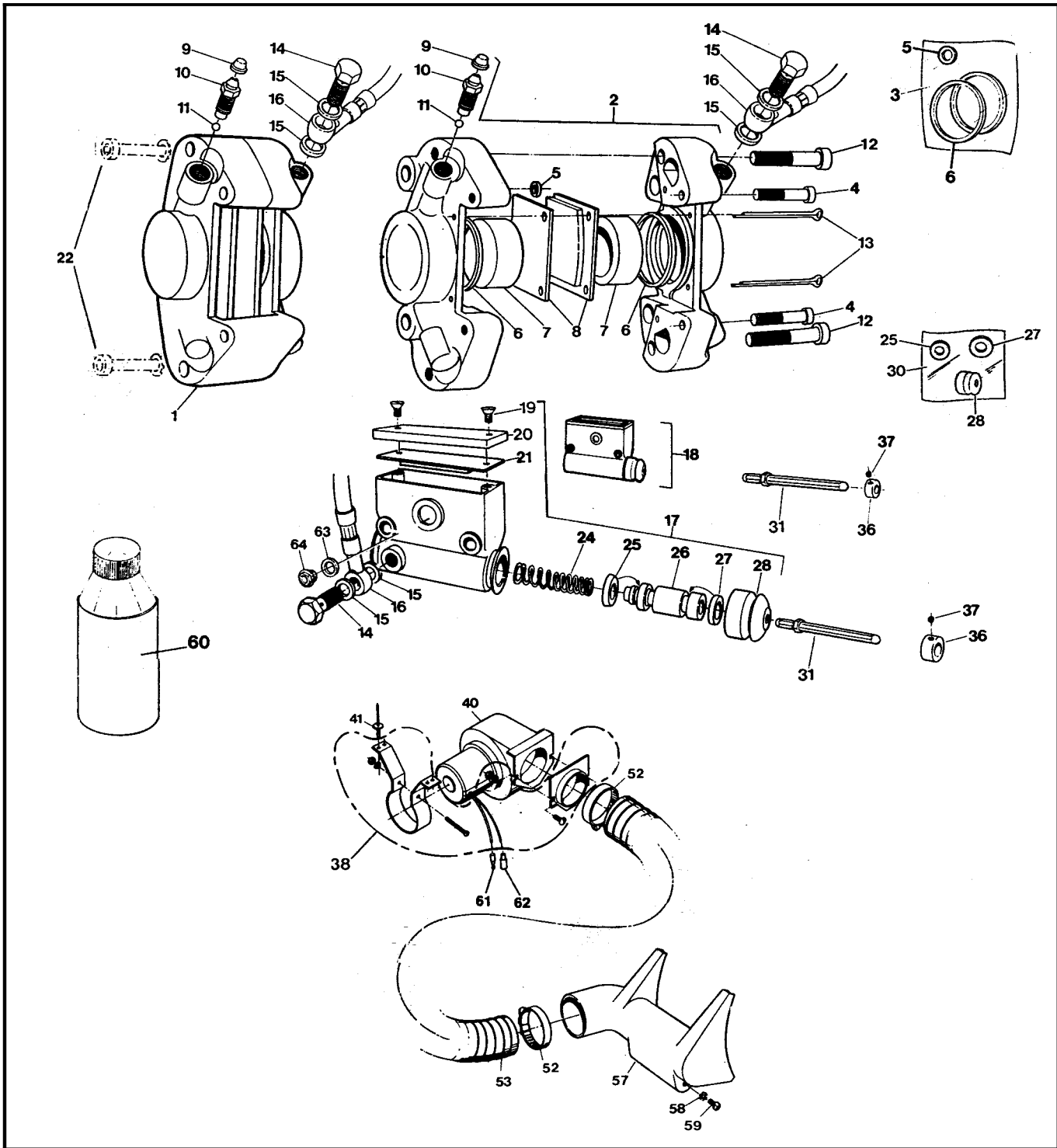


Conquest Parts Manual

4.0 Power Pack Assembly

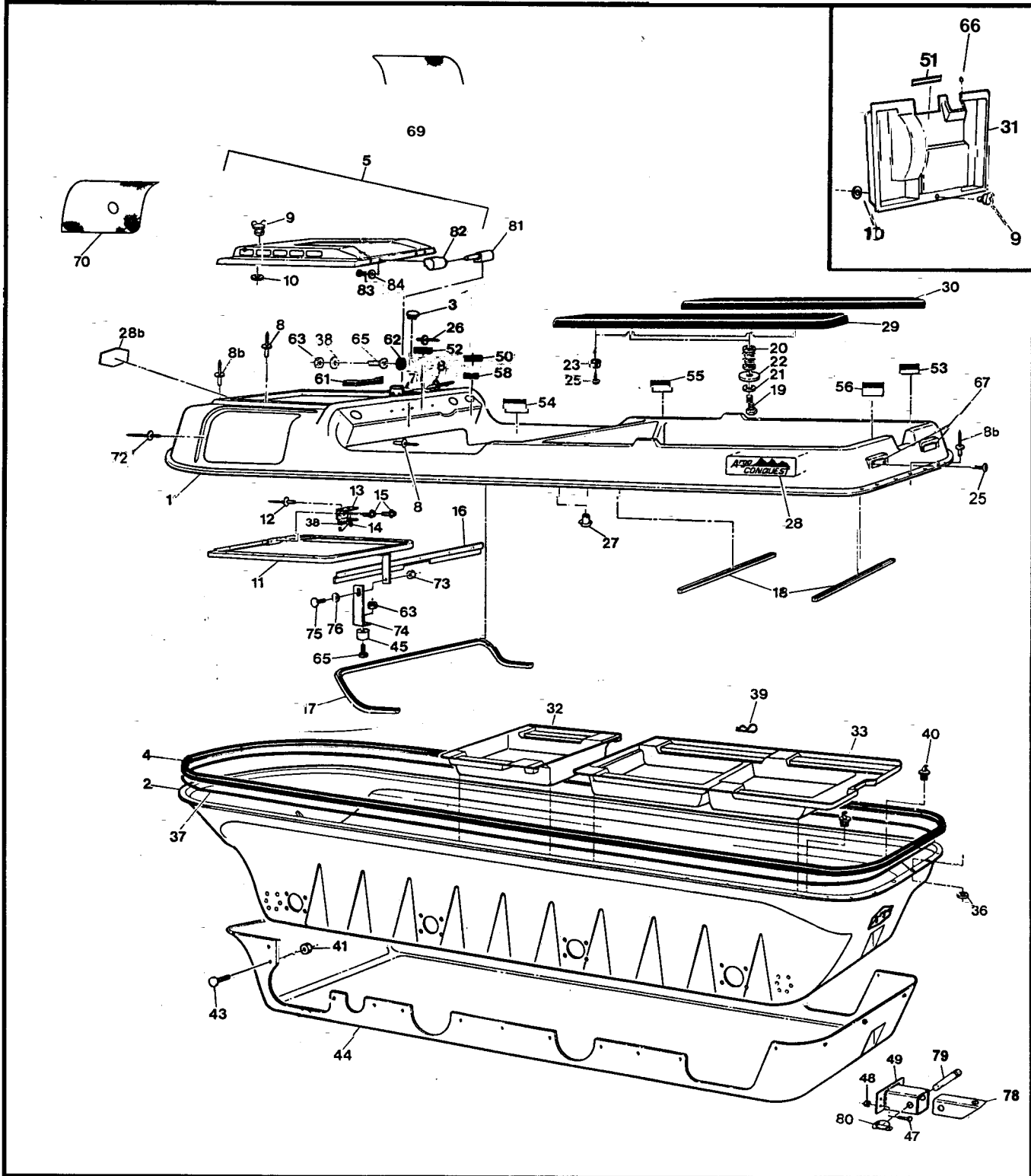
Ref	Qty	Part No.	Description
	1	FD620D-GS12	Engine - Kawasaki, (incl. Refs. 2, 3, 4, 7, 9, 49)
2a	2	92070-2072	Sparkplug, BMR4A (for prior to S/N CB17857)
2b	2	92070-2112	Sparkplug, BPR4ES (from SIN CB17857)
3	1	11013-2114	Element, Air Filter - Foam
4	1	11013-2139	Element, Air Filter - Paper
6	1	110-13	Key 1/4x1/4x2.25
7	1	11009-2566	Gasket, Drain Plug
8			See Section 3.0 Clutch System
9	1	127-68	Filter, Oil
10	1	112-15	SHCS M10x1.5x90mm
16	1	108-54	Lockwasher, Hi-Collar- M10
17	3	108-18	Washer .40x1.37x.12 Zc
18	4	112-30	SHCS M8x1.25x20mm Zc
19	7	108-05	Lockwasher 5/16 Zc
21	2	811-14	Spacer
22			See Section 5.0 Brake System
23	1	112-57	HHCS 5/8-11x10.0 Gr5 Zc
24	3	117-09	Locknut, Nylon 518-11 Zc
25	3	811-09	Washer, Square - .64 ID
27	2	112-58	HHCS 518-11x7.5 Gr5 Zc
28	1	811-30	Frame, Powerpack - Conq.
29	2	103-20	HHCS 1/2-13x6.5 Gr5 Zc
30	2	108-07	Lockwasher 1/2
31	2	117-06	Nut, Fin Hex 1/2-13 Zc
32			See Section 1.0 Transmission
33	2	811-15	Washer, Square Lock .64 ID
39	2	103-53	HHCS 3/8-16x3.0 Gr5 Full Thread
40a	1	103-34	HHCS 3/8-16x1.25 Gr5 Zc
40b	2	103-18	HHCS 3/8-24x1.25 Gr5 Zc
41	3	108-06	Lockwasher 318 Split Ring Zc
42	1	125-56	Drive Belt
43			See Section 3.0 Clutch System
44	1	110-09	Key 1/4x1/4x3.0
45	2	610-80	Brake Disc #50-2x13T

Ref	Qty	Part No.	Description
47	as req	108-36	Washer 1.03x1.37x.06 Zinc
48	2	120-13	Rivet 3/16x5/8 - Black
49	1	21119-2157	Igniter
50 to 57			See Section 5.0 Brake System
58	2	117-27	Locknut, Nylon 1/4-20 Zc
59	2	103-66	HHCS 1/4-20x4.0 Gr5 Zc
60	1	610-75	Bracket, Igniter
61	2	103-69	SHCS 1/4-20x1.5 Zc
62	2	113-02	O-Ring
63	1	810-20	Lever Asm, Brake - LH
64	1	810-21	Lever Asm, Brake - RH
65	2	103-17	HHCS 3/8-16x1.0 Gr5 Zc
66	2	108-26	Washer 318 Zc
70	1	127-81	Throttle Twist Grip
71	2	127-35	Grip, Molded
73	1	812-29	Cable Asm, Choke - Conq.
74	1	117-68	Nut, Jam 3/8-24 UNF Zinc
75	1	108-32	Lockwasher 318 Int. Tooth
78	1	603-29	Guard, Belt Protect
79	1	601-92	Vinyl Trim - 1.5"
80	1	601-93	Vinyl Trim - 4.25"
84			See Section 5.0 Brake System
86	4	106-07	Retaining Ring
87	2	127-33	Spring, Extension
88	3	103-55	HHCS 5/16-18x2.75 Gr5 Zc
90			See Section 5.0 Brake System
92	1	812-01	Bracket Asm, Steering
93	1	812-27	Lever Asm, Steering - LH
94	1	812-26	Lever Asm, Steering - RH
95	1	612-101	Cable Asm, Throttle
100	1	127-11	Spring, Extension
101	4	103-41	SHCS 318-16-1.25 Zc
102	4	108-23	Washer 3/8 SAE Gr8 - Dich.
103	2	126-89	Cap, Vinyl - Black
105	1	601-86	Clip, Retainer
107	1	100-64	Tie Wrap - 5.5 - Black



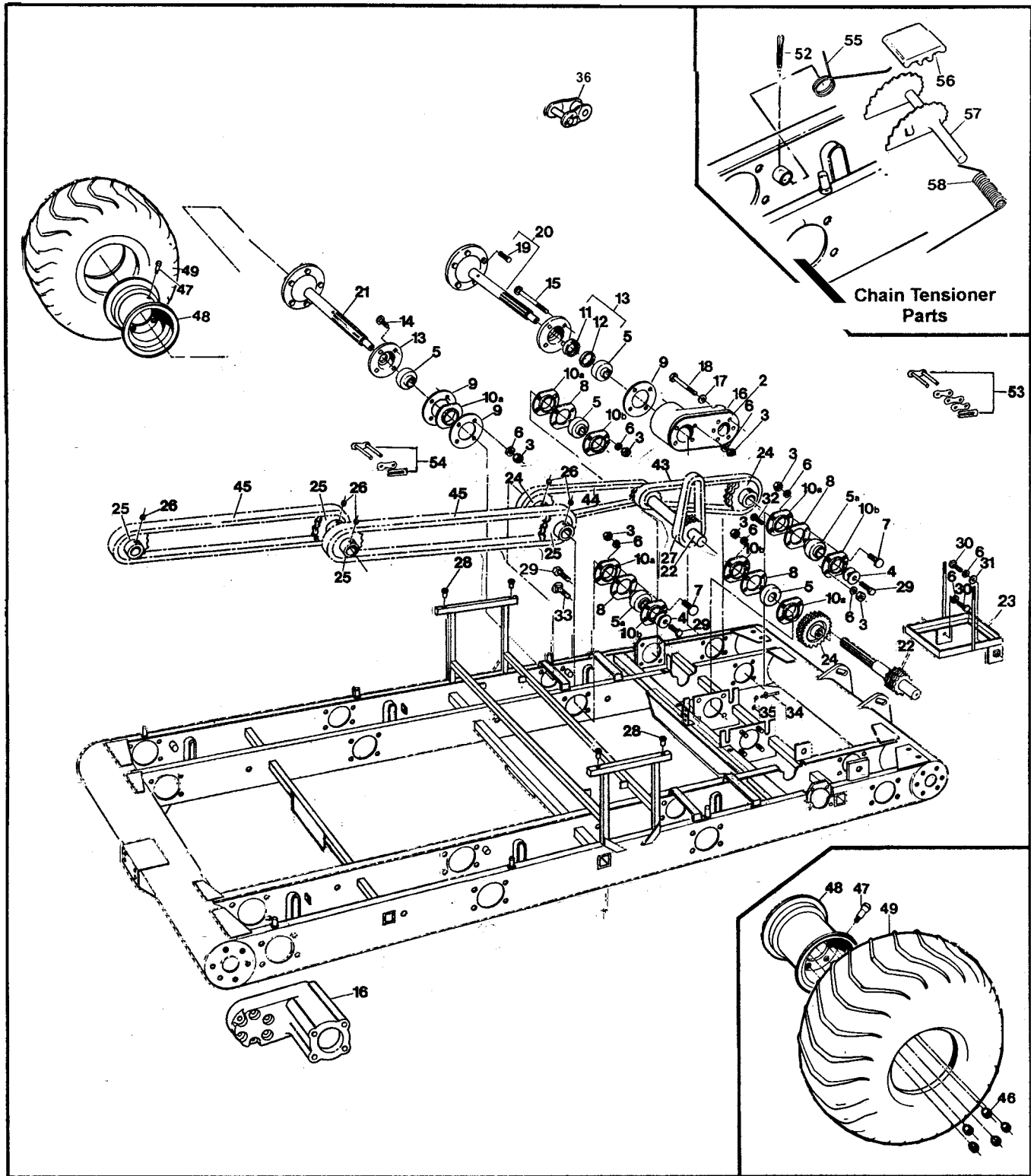
Conquest Parts Manual 5.0 Brake System - Hydraulic

Ref	Qty	Part No.	Description
1	1	166-01RM	Caliper, Brake - L w/o Pads (incl. Refs 5, 6, 7, 9 - 12)
2	1	166-02RM	Caliper, Brake - R w/o Pads (incl. Refs 5, 6, 7, 9 - 12)
3	2	161-01	O-Ring Kit, Caliper (incl. Refs 5 & 6)
4	2	160-40	SHCS M8x1,25x40 Zc
5	1		Seal, Rubber - 5mm (see Ref 3)
6	2		Seal, Piston - 41mm (see Ref 3)
7	2x2	168-05	Piston 41mm
8	1	170-02	Brake Pad Set (4) - Metallic (Asbestos-free)
9	1x2	168-20	Plug, Rubber
10	1x2	168-03	Screw, Bleeding M10x1,0
11	1x2	109-03	Ball, Steel - 7/32 Dia.
12	2x2	160-41	SHCS M10x1,5x50mm Zc
13	2x2	168-06	Pin, Cotter 3,2x50mm
14	4	160-44	Bolt, Banjo-M10x1,0x21,0 Zc
15	8	160-01	Washer, Copper-1,5x10,0x14,0
16	1x2	163-01	Hose Asm, Hydraulic-310mm
17	1	165-06	Master Cylinder - left (incl. Refs 19 to 21, 24 to 28, 63 & 64)
18	1	165-05	Master Cylinder - right (incl. Refs 19 to 21, 24 to 28, 63 & 64)
19	2x2	160-42	FHMS M5x0,8x6mm
20	1x2	168-08	Cover
21	1x2	168-09	Cover, Rubber
22			See Section 4.0 Power Pack Assembly
24	1x2	162-02	Spring, Comp. 0.59x1.5
25	1x2		Seal, Primary, 19mm (See Ref. 30)
26	1x2	168-10	Piston 19mm dia.
27	1x2		Seal, Secondary, 19mm (See Ref. 30)
28	1x2		Boot, Rubber (See Ref. 30)
30	1x2	161-25	O-Ring Kit - Master Cylinder (incl. Refs 25, 27 & 28)
31	2	312-13	Pin Asm, Plunger-Adjustable
36	2	312-17	Collar
37	2	112-02	SHSS 10-24x1/4 Knurl Cup PT, PL
38		125-92	Adpt. & Mounting Kit - includes the following:
	1		Mounting Bracket
	1		Nut, #10-32
	1		Lockwasher, 3/16
	1		Screw, #10-32x2"
	2		Nut, 1/4-20
	2		Lockwasher, 1/4"
	2		Screw, 1/4-20x5/8"
	1		Adaptor, 3 dia.
40	1	125-91	Blower Fan
41			See Section 2.0 Intake and Exhaust System
52	2	125-35	Clamp, Gear 3.50" HF-52
53	1	127-06	Hose, Intake - 3" dia. x 26"
57	1	126-36	Brake Cool Air Duct
58	2	108-56	Lockwasher 1/4 Ext. Tooth
59	2	103-63	PHMS, Phil 1/4-20x1.0 Zinc
60		126-19	Fluid, Brake - Silicon Dot 5 - .35L
61	1	118-02	Terminal, Male #76-1251
62	1	118-03	Terminal, Female #76-1289
63	1x2	160-03	O-ring, Oil Window
64	1x2	168-14	Oil Window, Master Cylinder



Ref	Qty	Part No.	Description
	1	801-98	Body & Hood, Upper - Conq, (spec. colour) (incl. Ref 5, 11, 12, 13, 14, 15)
2	1	801-48BL	Body, Lower - Conq, (spec. colour)
3	1	127-28	Plug, Nylon - Black
4	1	801-05	Bumper, Vinyl - 8x8
5	1	602-34	Hood Kit - Conq, (spec. colour) (incl. 7, 8, 9, 10, 81, 82, 83, 84)
7	1	602-38	Clip, Hood
8	23	120-13	Rivet 3/16x5/8 - Black
8b	63	120-09	Rivet 3/16x1 - Black
9	2	126-10	Wing Stud
10	2	126-09	Grommet, Alum.
11	1	602-24	Frame Asm, Hood
12	2	120-15	Rivet 1/8x7/16
13	1	601-69	Spring Plate
14	1	126-11	Spring
15	2	103-72	Screw, IHWH T/C Slot 1/4-20x3/4
16	1	602-29	Brace, Dash
17	1	601-08	Trim, Vinyl - 84"
18	2	601-09	Trim, Vinyl - 28"
19	4	112-04	HHCS 1/4-20x3/4 Gr2 Zc
20	16	108-25	Washer .31x.75x.06 Zc
21	4	108-03	Lockwasher 1/4
22	4	801-41	Washer, Seat
23	4	126-79	Bumper, Plastic - Black
25	8	103-48	T/S Pan HD PHIL #10x5/8
26	26	120-24	Rivet, 3/32x3/8 Alum. (all plates)
27	4	117-44	T-Nut 1/4-20 Zinc
28	2	127-27	Nameplate - Conquest
28b	1	601-44	Nameplate - Argo
29	1	801-03	Seat, Rear LH - 8x8
30	1	801-02	Seat, Rear RH - 8x8
31	1	609-33	Firewall - Hydraulic Brakes
32	1	803-02	Floor Pan - Front - (spec. colour)
33	1	803-03	Floor Pan - Rear - (spec. colour)
36	57	120-04	Washer .19x.50x.08 Zinc
37	1	126-60	Vinyl Strip 1/2"x1/4"x37.5'
38	4	120-05	Washer .19x.50x.04 Zc

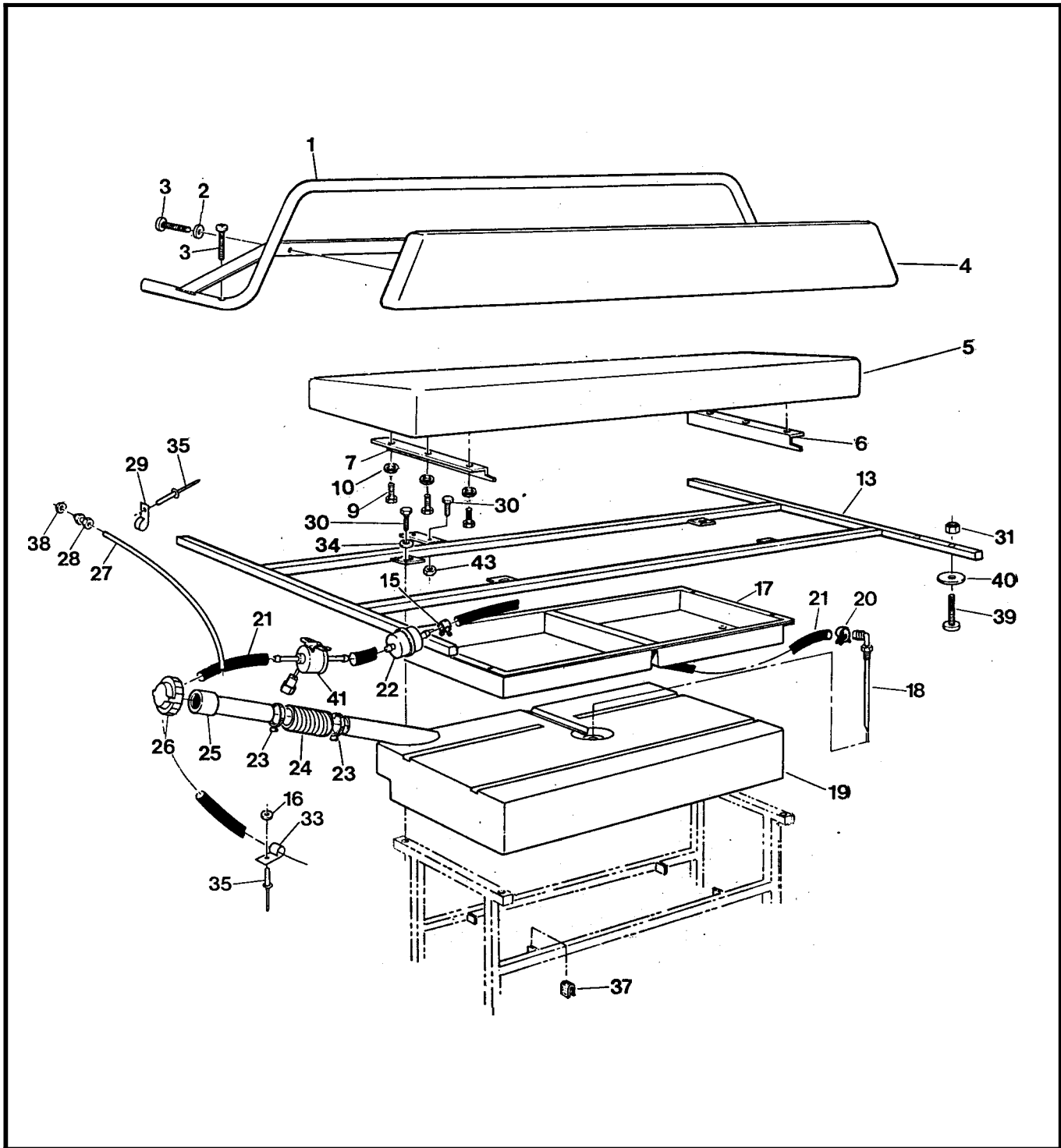
Ref	Qty	Part No.	Description
39	6	100-16	Clip, Hitch Pin 1.625 Zc
40	2	100-18	Plug, Drain 5/8"x13/32"
41	32	120-28	Collar, Magna Grip
43	32	120-27	Pin, Magna Grip
44	1	863-11	Skid Plate, 8x8 - Black
45	1	126-88	Bumper, Rubber
47	4	103-61	HHCS 3/8-24x1.5 Gr5 Zc
48	4	117-24	Locknut, Nylon 3/8-24 Zc
49	1	616-16	Hitch Assembly
50	1		Vehicle ID Plate, Alum.
51	1	126-65	Plate, Shifting
52	1	127-97	Plate, Caution - Keyswitch
53	1	126-67	Plate, Floor Pan
54	1	126-68	Plate, Operation
55	1	126-69	Plate, Fuel
56		127-76	Plate, Cap. Land/Water
58			U.S. Plate, Non-U.S. Argos only
61	1	125-41	Handle, Dash (incl. 62)
62	2		Plug Cap, (avail. only with 61)
63	3	117-10	Locknut, Nylon #10-24 Zc
65	3	103-25	PHMS #10-24x3/4 Zinc
66	1	125-84	Grommet, Rubber
67	2	127-01	Reflector, Red
69	1	807-73	Screen, Intake - Conquest
70	1	807-74	Screen, Exhaust - Conquest
72	28	120-11	Rivet 5/32 x 9/16 - Black
73	1	117-15	Nut, Fin Hex 3/8-16 Zinc
74	1	602-27	Support, Adjustable
75	1	103-89	C/Bolt 3/8-16x3/4 Gr2 Zinc
76		108-06	Lockwasher 3/8
78	1	616-19	Tube, Hitch
79	1	104-13	Pin, Top Link
80	1	104-11	Pin, Lynch
81	2	127-45A	Pin, Hinge
82	2	127-45B	Knuckle, Hinge
83	8	103-47	HHCS 10-24x1/2
84	8	108-59	Lockwasher #10 Int. Tooth Zinc



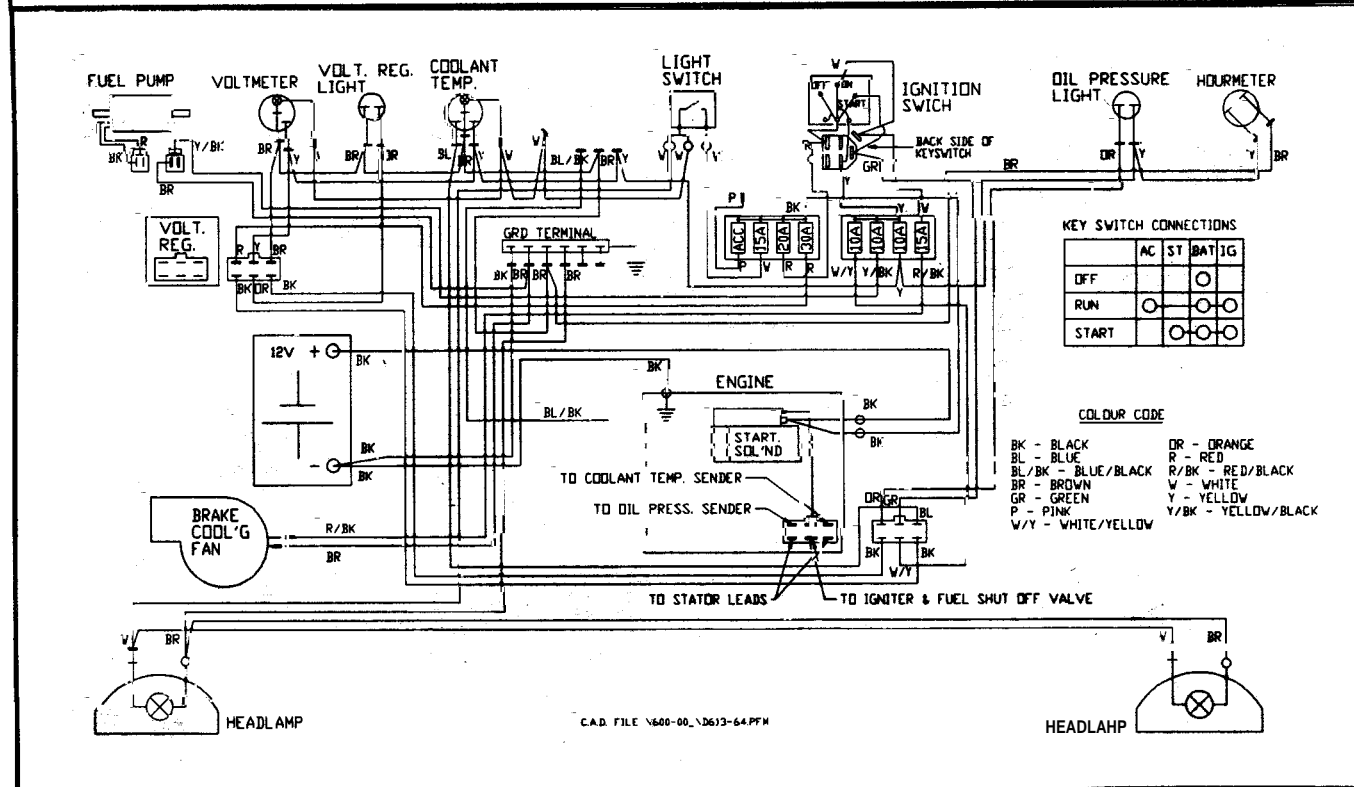
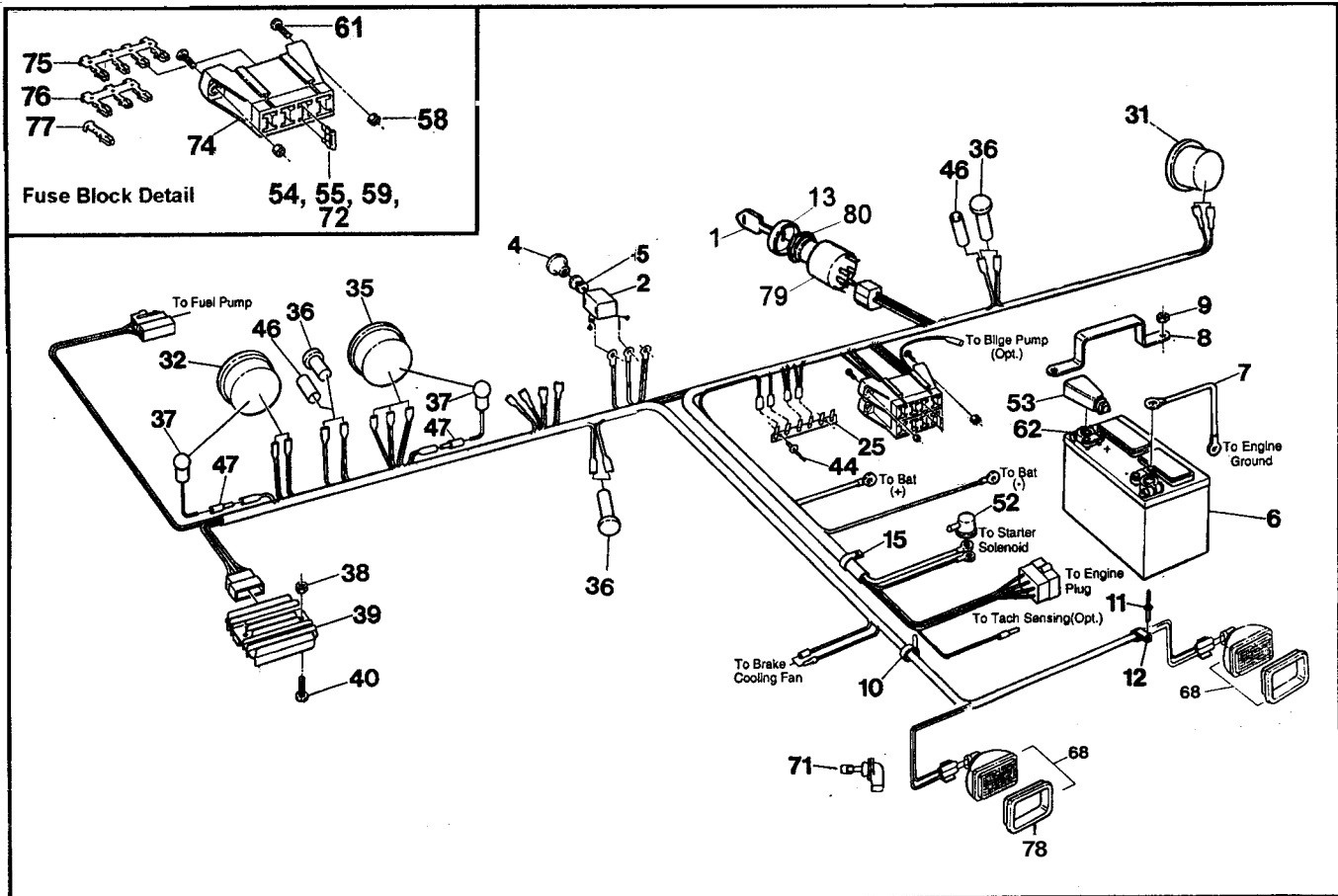
Conquest Parts Manuals 7.0 Frame and Drive System

Ref			
1	1	806-00	Frame Asm - 8x8
2	4	605-69	Gasket - Bearing Extension
3	80	117-15	Nut, Fin Hex 3/8-16 Zinc
4	16	108-46	Washer .40x1.37x.12 Hi-Carbon
5	12	101-35	Bearing, Ball - 1.25
5a	8	101-41	Bearing, Ball - 1.0
6	82	108-06	Lockwasher 3/8
7	30	103-88	C/Bolt 3/8-16x1.0 Gr5 Zc
8	12	605-99	Gasket, Flange - Inner
9	12	605-89	Gasket, Flange - Outer
10a	16	605-63	Flange - 4 hole
10b	12	101-20	Flange, Greasable - 4 hole
11	8	102-14	Seal, Oil 1.25x1.75x0.188
12	8	102-15	Seal, Oil 1.25x1.874x0.25
13	8	605-97	Flange Asm, Outer (incl. Refs. 11 & 12)
14	16	112-39	C/Bolt 3/8-16x1.75 Gr5 Zc
15	16	103-67	C/Bolt 3/8-16 x 6 Gr2 Zc
16	4	810-36	Bearing Extension (uses Refs. 17 & 18)
17	24	108-34	Washer 7/16 SAE Zinc
18	24	103-81	HHCS 7/16-20x2.5 Gr5 Zc
19	5x8	103-80	Stud, Wheel 7/16-20x1.125 #B271
20	4	810-73	Axle Asm - Front/Rear (incl. Ref. 19)
21	4	810-75	Axle Asm - Mid (incl. Ref. 19)
22	2	810-32	Shaft, Idler - 1I T
23	1	604-84	Frame Asm, Battery
24	6	810-28	Sprocket, Double - 24T
25	8	606-34	Sprocket, S60x19T
26	10	112-03	SHSS 5/16-18x3/8 1/2 DOG, PL
27	2	803-17	Chain, Idler RC50-2x40P (incl. Ref. 53)
28	4	117-64	Insert, 1/4-20
29	12	112-31	HHCS 3/8-16x1.0 2B Gr8 Zc
30	2	112-14	HHCS 3/8-16x.75 Gr5 Zc
31	1	108-15	Washer 3/8 SAE Zc
32	2	103-82	HHCS 3/8-16x1.5 Gr5 Zc
33	4	112-61	C/Bolt 3/8-16 x 1.25 Gr5 Zc
34	2	120-15	Rivet 1/8x7/16
35	1	126-11	Spring
36		127-80	Link, Half - RC60 - 1 (opt.)
43	2	603-17	Chain, RC50-2 x 42P-Front (incl. Ref. 53)
44	2	603-20	Chain, RC50-2 x 70P-Mid (incl. Ref. 53)
45	4	603-93	Chain, RC60-1 x 84P-Rear (incl. Ref. 54)
46	5x8	117-35	Nut, Wheel 7/16-20 Zc
47	8	125-26	Valve, Tire
48	8	125-13C	Rim - Charcoal
49	8	126-96	Tire, Goodyear Runamuk 22x10-8
52	6	100-01	Pin, Cotter 1/8x1.50 Zc
53	1x6	100-96	Con. Link, RC50-2 H.D.
54	1x4	603-84	Con. Link, RC60-1 H.D.
55	6	127-65	Spring Torsion - 1.16x0.35
56	6	606-39	Slider Block -1/2" Shaft
57	6	606-35	Tensioner Asm, Chain
58	6	127-64	Spring, Torsion - .76x1.9

8.0 Fuel System & Seat Assembly Conquest Parts Manual



Ref	Qty	Part No.	Description
1	1	303-50	Handrail Assembly
2	4	108-03	Lockwasher 1/4
3	6	112-41	PHMS, PHIL 1/4-20x1.25 Zinc
4	1	508-39	Back Pad Asm
5	1	608-43	Seat, Bench
6	1	508-30	Angle, Left
7	1	508-31	Angle, Right
9	6	112-04	HHCS 1/4-20x3/4 Gr2 Zc
10	6	108-03	Lockwasher 1/4
13	1	804-17	Frame Asm, Seat
15	2	112-78	Clamp, Hose, 9/16" - Black
16	2	120-04	Washer .19x.50x.08 Zinc
17	1	608-32	Tool Box
18	1	608-28	Pickup Assembly, Fuel (See Ref. 19)
19	1	608-24	Tank, Fuel - 32 litre (incl. Ref. 18)
20	4	112-79	Clamp, Hose, 1/2" - Black
21	1	608-42	Fuel Hose - 110"
22	1	125-64	Fuel Filter
23	2	100-12	Clamp, Gear 2.25" HF-36
24	1	125-94	Hose, Filler
25	1	126-47	Neck Asm, Fuel
26	1	126-46	Cap, Fuel
27	1	127-21	Hose, Vent - 86"
28	1	126-50	Male Connector, 1/4"
29	5	126-94	Clamp, Nylon Wire - 1/4"ID
30	6	112-04	HHCS 1/4-20x3/4 Gr2 Zc
31	12	117-10	Locknut, Nylon #10-24 Zc
33	3	126-93	Clamp, Nylon Wire - 1/2"ID
34	4	108-08	Washer .28x.62x.04 Zinc
35	8	120-09	Rivet 3/16x1 - Black
37	4	702-06	Foam Cushion
38	1	117-54	Nut, Locking PAL 1/2-20 Zc
39	12	112-07	RHMS 10-24~1.25 Zc
40	12	108-42	Washer .21x1.0x.06 Zinc
41	1	49040-2065	Pump, Fuel
43	2	117-27	Locknut, Nylon 1/4-20 Zc



9.0 Electrical System

Conquest Parts Manual

Ref	Qty	Part No.	Description
1	2	127-108	Key, Molded
2	1	100-62	Switch, Light
3	1	513-64	Wire Harness - Conquest (incl. Fuse Holders)
4	1	126-76	Knob, Light
5	1	108-55	Lockwasher 7/16 External Tooth
6	1	127-54	Battery, Exide 45-50
7	1	513-14	Wire, Ground - 14"
8	1	504-52	Bracket, Battery Retaining
9	2	117-21	Locknut, Nylon 5/16-18 Zc
10	8	100-64	Tie Wrap, 5.5" - Black
11	6	120-13	Rivet 3/16x5/8 - Black
11a	10	120-09	Rivet 3/16x1 - Black
12	16	126-93	Clamp, Nylon Wire-1/2" ID
13	1	127-107	Cover, Nut
15	5	127-24	Clamp, Nylon - 1" ID
25	1	513-37	Terminal Strip, Ground
31	1	532-15	Hourmeter
32	1	533-10	Voltmeter
35	1	534-22	Gauge, Water Temperature
36	3	534-08	Light, Indicator
37	2	534-10	Light Kit, #06215-00
38	2	117-27	Locknut, Nylon 1/4-20 Zc
39	1	21066-2070	Regulator, Voltage
40	2	103-63	PHMS, PHIL 1/4-20x1.0 Zc
44	2	120-15	Rivet 1/8x7/16
46	2	118-48	Heat Shrink, 2 x 1/2
47	2	118-02	Terminal, Male #76-1251
52	1	513-46	Terminal Insulator (2 ga.)
53	1	127-55	Cap, Battery Terminal
54	1	118-53	Fuse, 20A 2 prong (AT020)
55	2	118-49	Fuse, 15A 2 prong (AT015)
58	4	117-10	Locknut, Nylon #10-24 Zc
59	3	118-52	Fuse, 10A 2 prong (AT010)
61	4	103-25	PHMS #10-24x3/4 Zc
62	2	127-56	Terminal, Battery Post
68	2	613-62	Headlamp Asm (incl. Refs. 71 & 78)
71	2	127-46	Bulb, Headlight - Halogen
72	1	118-51	Fuse, 30A 2 prong (AT030)
74	2	118-60	Block - Fuse, 8 position (4 fuse)
75	1	118-61	Terminal - Fuse, quad
76	1	118-63	Terminal - Fuse, triple
77	9	118-62	Terminal - Fuse, single
78	2	613-62RB	Bezel, Rubber Headlamp
79	1	127-105	Switch, Ignition
80	1	127-106	Nut, flanged, plastic

ARGO Products Manufactured by:

Ontario Drive & Gear Limited

P.O. Box 280,220 Bergey Court

New Hamburg, Ontario

Canada NOB 2G0

Phone: (519) 662-2840

Fax: (519) 662-2421

ODG *Dedicated to quality and performance*



ARGO

CONQUEST PARTS MANUAL

**Model Nos. V899-37 &
V899-38**

From Serial # CB17857

Foreword

ODG has prepared this parts manual for the CONQUEST model to assist both qualified mechanics and vehicle owners in ordering correct, quality replacement ARGO parts.

Proper and regular service, and replacing old, worn or broken parts with the correct ARGO replacement parts, are both essential to prolonging the life of the ARGO. Please refer to this parts manual before ordering any replacement part.

All information contained in this CONQUEST Parts Manual is based on the latest product specification available at time of printing. If your CONQUEST differs from the specifications contained in this manual, contact Ontario Drive & Gear Limited for information.

ODG reserves the right to alter specifications on the CONQUEST model at any time, without obligation or prior notification.

Reproduction of this CONQUEST Parts Manual, in whole or in part, is prohibited without prior written permission from Ontario Drive & Gear Limited.

Model Identification

CONQUEST - Model Nos. V899-37 and V899-38

Explanation of Parts Manual Format

- Ref** - Reference number between assembly diagram and component parts list
- Part No.** - Argo replacement part number for identification and re-ordering
- Description** - Part description for identification and re-ordering
- Qty** - Indicates the quantity of a part used in an Assembly

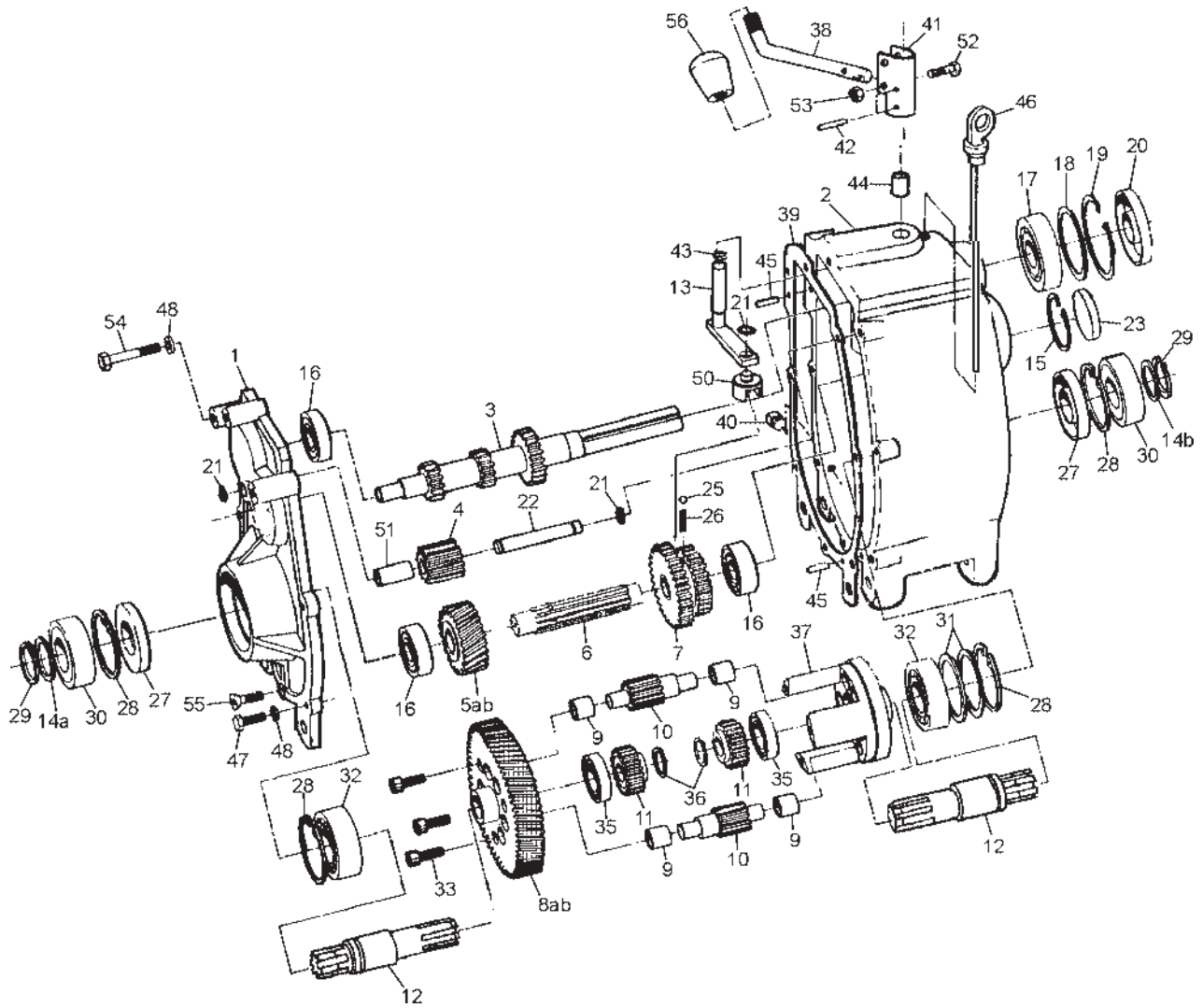


Using the Parts Manual

1. Find the major vehicle assembly in the Table of Contents on this page, and turn to that section.
2. Locate the part in the illustration that you wish to order.
3. Refer to the parts list in that section.
4. Find the correct part number (Part No.), part description (Description) and correct quantity (Qty).
5. Use *only* this information to order ARGO replacement parts. *DO NOT* attempt to order a replacement part by reference number or page number.

Table of Contents

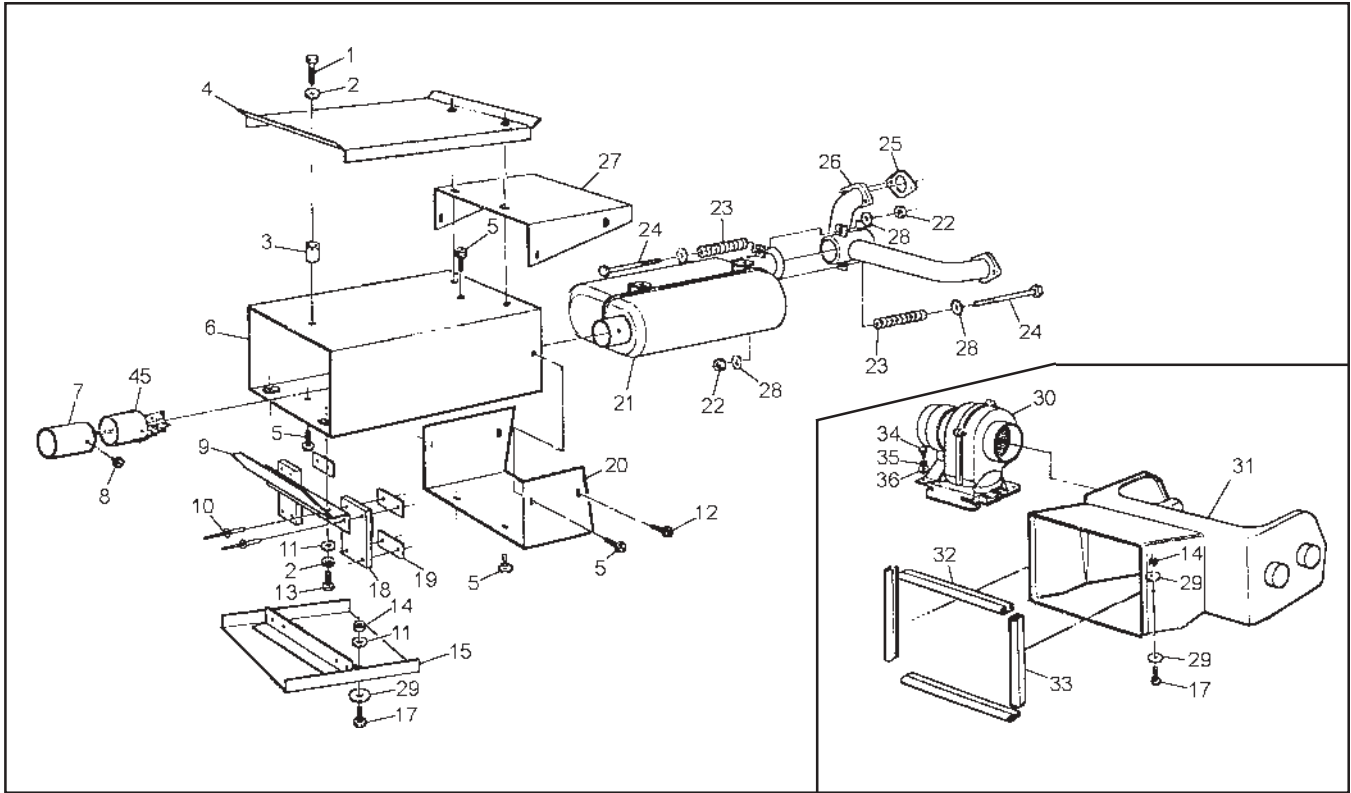
Foreword	i
Model Identification	i
Using the Parts Manual	ii
1.0 Transmission	1
2.0 Intake and Exhaust System	3
3.0 Clutch System	3
4.0 Power Pack Assembly	5
5.0 Brake System - Hydraulic	7
6.0 Vehicle Body & Firewall	9
7.0 Frame & Drive System	11
8.0 Fuel System & Seat Assembly	13
9.0 Electrical System	15



Ref.	Qty.	Part #	Description
		610-18M	Transmission Asm - M, does not include Refs 38, 52, 53 & 56, uses Refs 5a & 8a
		610-18G	Transmission Asm - G, does not include Refs 38, 52, 53 & 56, uses Refs 5b & 8b
1	1	34-68	Cover, Transmission
2	1	34-99	Housing, Transmission
3	1	34-21	Shaft, Input - 13/21T
4	1	34-16A	Gear, Idler - 13T (incl. Ref 51)
5a	1	34-95	Gear, Helical - 24T - M
5b	1	34-97	Gear, Helical - 21T - G
6	1	34-94	Shaft, Spline
7	1	34-91	Gear, Double - 26/33T
8a	1	34-22	Gear Plate - 73T - M
8b	1	34-45	Gear Plate - 76T - G
9	12	105-03	Bushing, Oilite - 1/2 x 3/4
10	6	34-13	Gear, Planet - 12T
11	2	34-14	Gear, Sun - 21T
12	2	34-98	Shaft, Output
13	1	34-65	Shifter Asm.
14a	1	114-04	Washer, Shim .040 Thk
14b	1	114-05	Washer, Shim .020 Thk
15	1	106-01	Retaining Ring
16	3	101-01	Bearing, Ball 6204Z-C3
17	1	101-16	Bearing, Ball 6206-C3
18	as req.	114-02	Washer, Shim 2.06x2.42x.02
19	1	106-05	Retaining Ring
20	1	102-05	Seal, Oil WBS 30x62x10
21	3	107-05	Retaining Ring
22	1	34-11	Pin, Dowel 1/2 x 3.50
23	1	31-07	Plug Plate
25	1	109-05	Ball, Steel 6mm 62-67 Rc
26	1	34-32	Spring, Compression - 7/32x.50
27	2	102-03	Seal, Oil WBS 30x72x10
28	4	106-03	Retaining Ring
29	2	107-02	Retaining Ring
30	2	101-05	Bearing, Ball 6306-2NSE C3
31	2	114-01	Washer, Shim 2.25x2.81x.02
32	2	101-03	Bearing, Ball 6207-C3
33	3	103-04	SHCS 5/16-18x1.0 Bare
35	2	101-15	Bearing, Ball 6005-C3
36	2	107-04	Retaining Ring
37	1	34-08	Cage
38	1	610-77	Lever, Shift
39	1	34-47	Gasket, Cover - 1/64" Thk
40	1	103-02	Plug, Magnetic 3/8-18 NPT
41	1	34-86	Holder, Shift Lever
42	2	111-01	Pin, Spring 5/32x1.0
43	1	113-01	O-Ring
44	1	105-02	Bushing, Oilite - 1/2 x 1.0
45	2	104-03	Pin, Dowel 1/4 x 7/8
46	1	34-77	Dipstick, with breather
47	4	103-06	HHCS 5/16-18x1.0 GR5 Zc
48	7	108-05	Lockwasher 5/16
50	1	34-63	Shift Yoke
51	1	105-05	Bushing, Oilite - 1/2 x 1.5 (in Ref. 4)
52	1	103-97	HHCS 1/4-20x1.25 GR5 Zc
53	1	117-27	Locknut, Nylon 1/4-20 Zc
54			See Section 4.0 Power Pack Assembly
55	1	103-95	FHSC 5/16-18x1.0 GR8 Zc
56	1	126-38	Knob, Shift

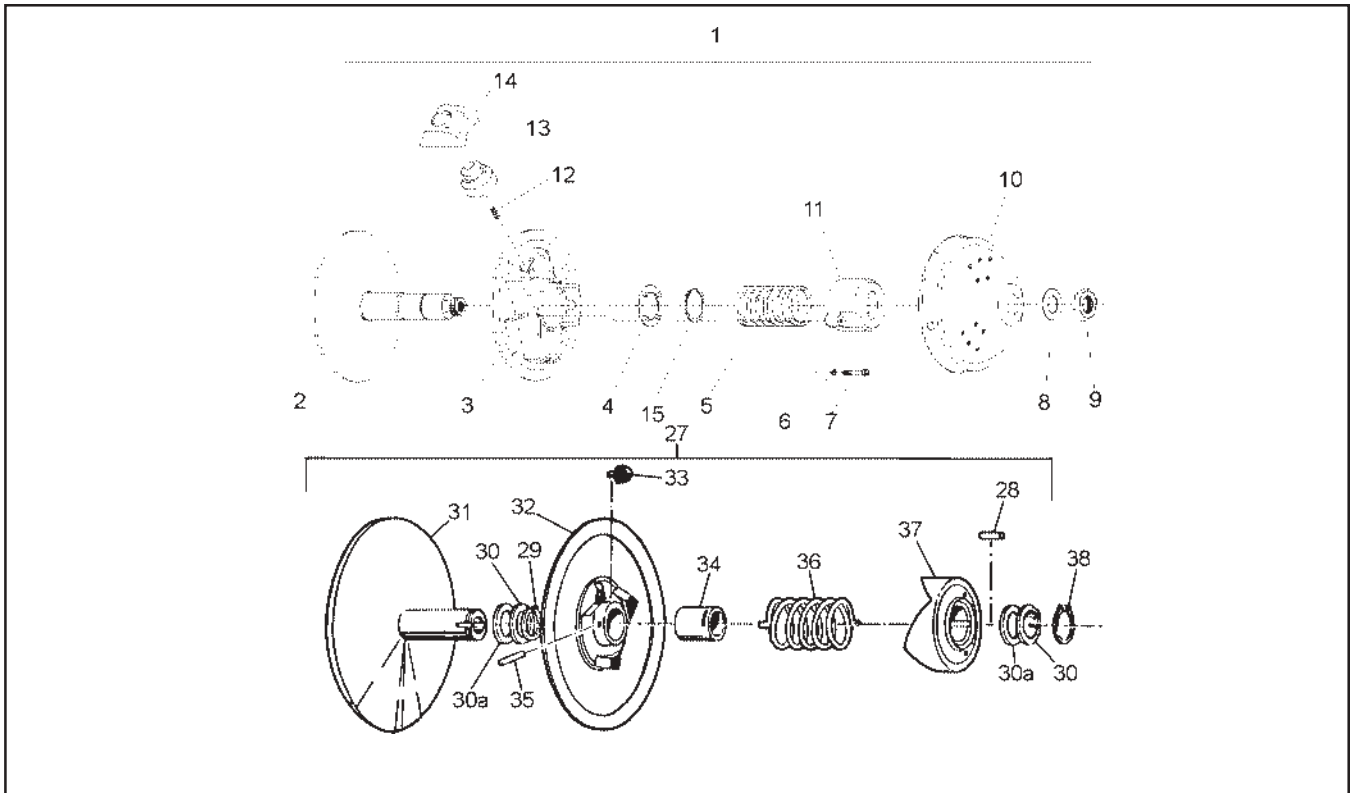
2.0 Intake and Exhaust System

Conquest Parts Manual

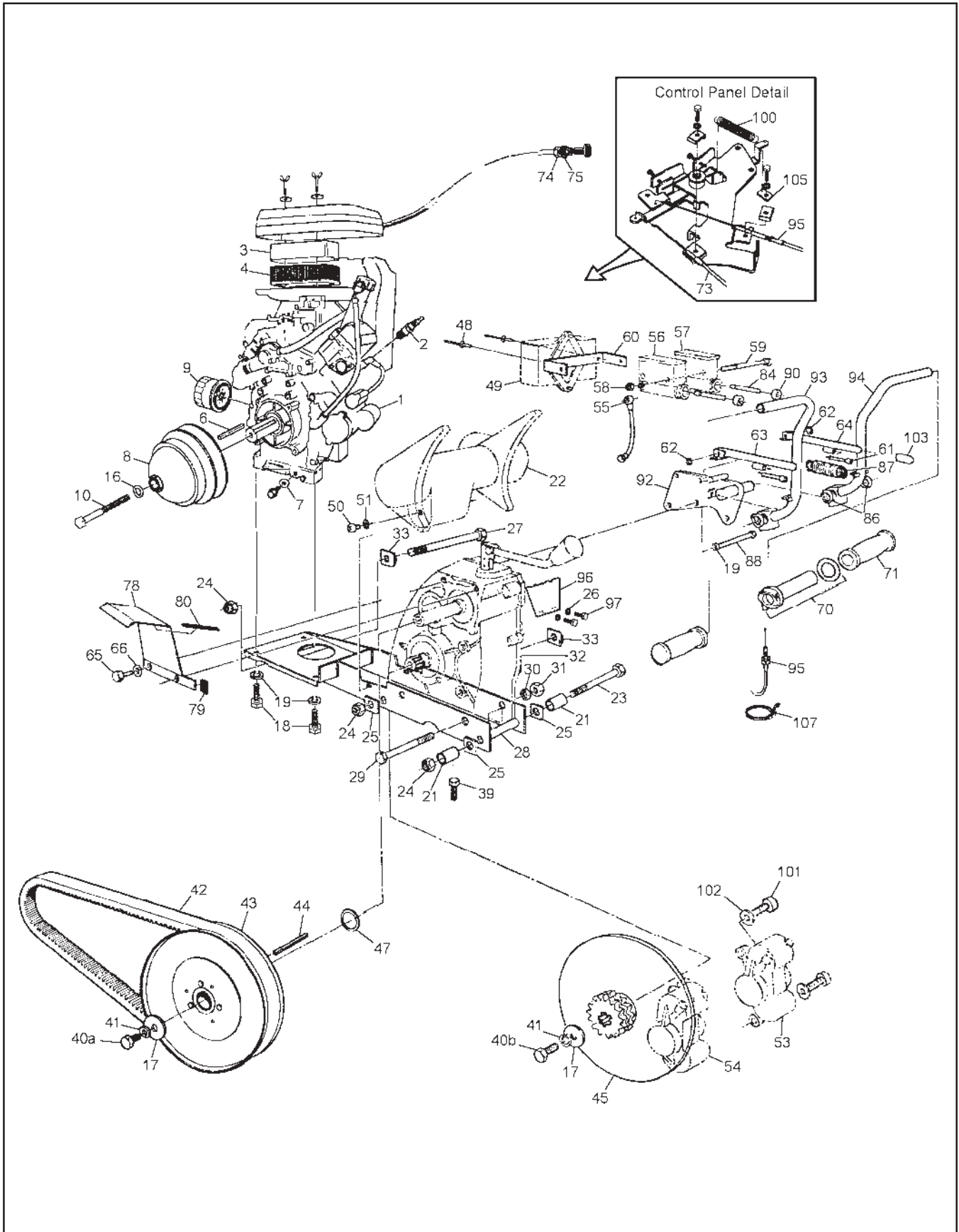


Ref.	Qty.	Part #	Description
1	3	103-97	HHCS 1/4-20x1.25 Gr5 Zc
2	5	108-03	Lockwasher 1/4
3	3	807-71	Spacer
4	1	807-72	Shield, Heat
5	7	112-19	Screw IHWH T/C 1/4-20x1/2
6	1	807-41	Shield Asm, Muffler
7	1	807-75	Pipe, Muffler Outlet
8	1	112-43	Screw, IHWH #8x3/8
9	1	807-43	Support, Upper
10	8	120-09	Rivet 3/16x1 - Black
11	4	108-08	Washer .28x.62x.04 Zinc
12	2	103-48	T/S Pan Hd Phil #10 x 5/8
13	2	112-04	HHCS 1/4-20x3/4 Gr2 Zc
14	4	117-27	Locknut, Nylon 1/4-20 Zc
15	1	807-49	Support, Lower
17	4	103-63	PHMS, PHIL 1/4-20x1.0 Zc
18	2	126-07	Support, Flex
19	4	807-69	Washer, Special
20	1	807-70	Cover, Lower
21	1	807-42	Muffler Asm - Conquest

Ref.	Qty.	Part #	Description
22	2	117-25	Nut, Conelock 5/16-18
23	2	100-10	Spring, Compression
24	2	112-18	SHCS 5/16-18x2.25
25	2	11060-2079	Gasket, Muffler
26	1	807-66	Manifold Asm
27	1	807-38	Cover, Manifold
28	4	108-24	Washer .34x.70x.06 Zc
29	6	108-01	Washer, Fender 1/4 BSx1.25OD
30			See Section 5.0 Brake System
31	1	807-76	Duct, Routed Intake
32	2	807-77	Seal, Radiator - 11.5" lg.
33	2	807-78	Seal, Radiator - 9.75" lg.
34	4	103-47	HHCS, #10-24x1/2
35	4	120-05	Washer, .19x.50x.04
36	4	108-59	Lockwasher #10 Int.Tooth
45	1	807-67	Spark Arrester



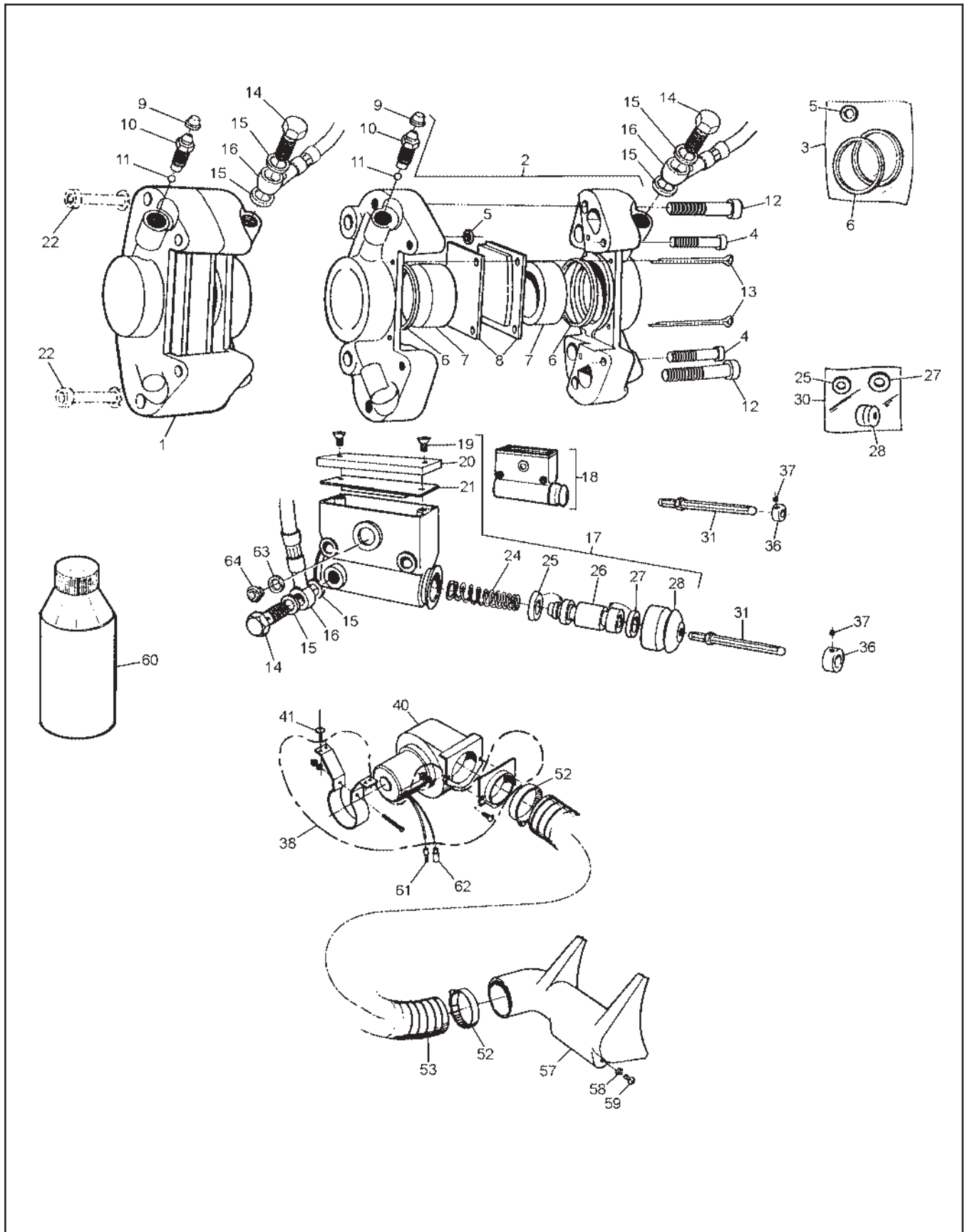
Ref.	Qty.	Part #	Description
1	1	127-71	Clutch, Driver - Keyed (incl. Refs 2 to 14)
2	1	0405-0044	Pulley, Half - Fixed
3	1	0410-0006	Pulley, Half - Sliding
4	1	V09	Plate, Spring Guide
5	1	V10-48-103-18	Spring
6	3	420-2453-700	Lockwasher
7	3	222-9640-66	SHCS
8	1	0080-0153	Washer, Zc
9	1	0080-0100	Nut
10	1	0115-0003(A)	Cap
11	1	0440-0001	Cover, Spring
12	3	C24-L1	Spring, Anti-noise
13	3	C13-266T	Weight, 266g
14	3	0130-3002	Block, Red
15	1	V08C	Retaining Ring
27	1	126-24	Clutch, Driven - Model "B" (incl. Refs 28 to 37)
28	1	ASK-5	Key 1/4x1/4x5/8
29	1	ASR-6	Retaining Ring
30	as req	ASA-1-S	Spacer .025" Thick
30a	as req	ASA-1	Spacer .050" Thick
31	1	AFK25.4-250OD01	Pulley, Half - Fixed
32	1	AMC-2-250OD01	Pulley, Half -Sliding incl. Refs. 33, 34 & 35
33	3	ANS-2-T	Shoe, Cam
34	1	AMB-2	Bushing, Bronze
35	1	111-01	Pin, Spring 5/32x1.0
36	1	ACS-3-188	Spring, Blue
37	1	AFC-4-C3D4	Cam
38	1	371-9031-0	Retaining Ring



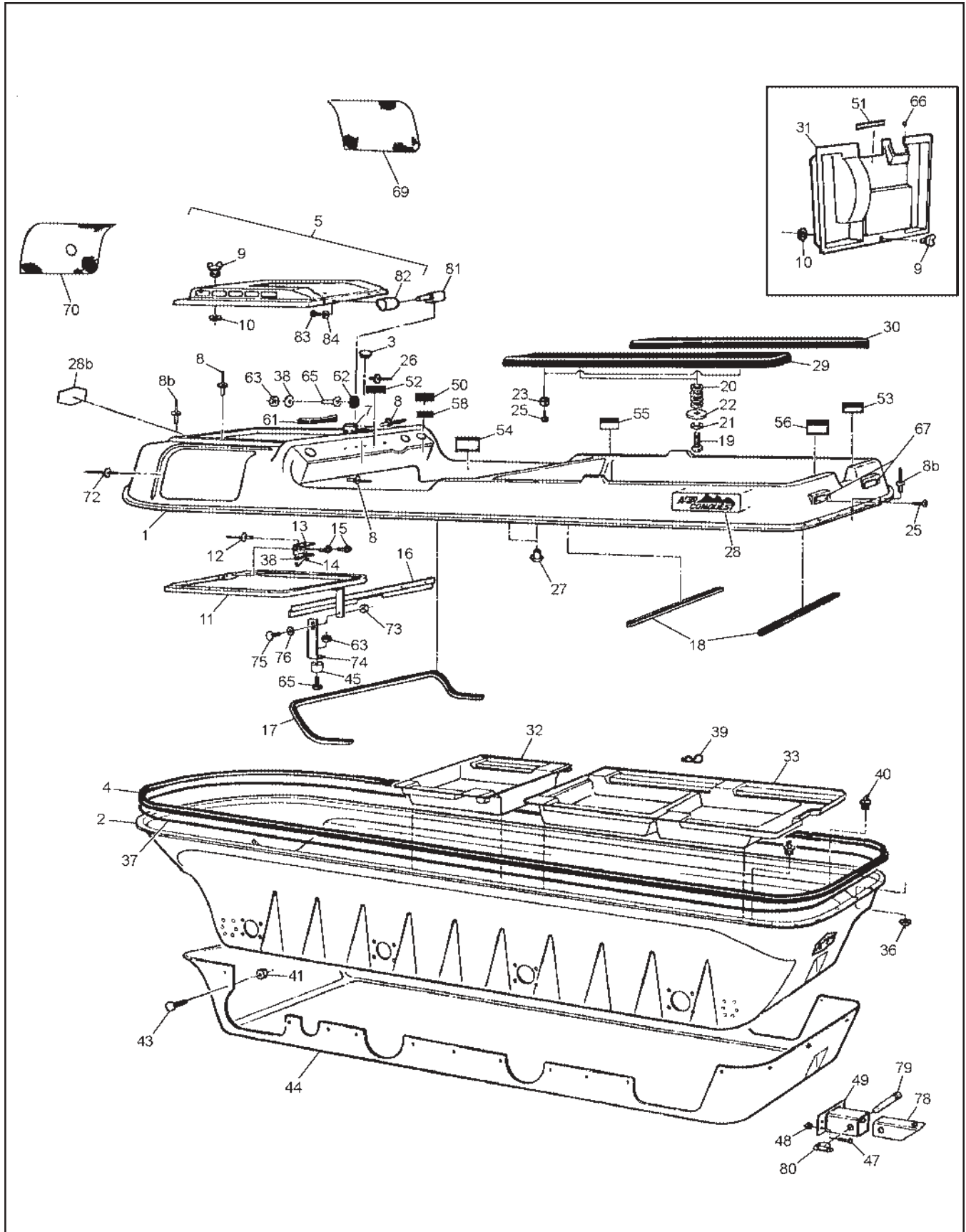
Conquest Parts Manual

4.0 Power Pack Assembly

Ref.	Qty.	Part #	Description	Ref.	Qty.	Part #	Description
1	1	FD620D-GS12	Engine - Kawasaki, (incl. Refs. 2, 3, 4, 7, 9, 49)	47	as req	108-36	Washer 1.03x1.37x.06 Zinc
2a	2	92070-2072	Sparkplug, BMR4A (for prior to S/N CB17857)	48	2	120-13	Rivet 3/16x5/8 - Black
2b	2	92070-2112	Sparkplug, BPR4ES (from S/N CB17857)	49	1	21119-2157	Igniter
3	1	11013-2114	Element, Air Filter - Foam	50 to 57			See Section 5.0 Brake System
4	1	11013-2139	Element, Air Filter - Paper	58	2	117-27	Locknut, Nylon 1/4-20 Zc
6	1	110-13	Key 1/4x1/4x2.25	59	2	103-66	HHCS 1/4-20x4.0 Gr5 Zc
7	1	11009-2566	Gasket, Drain Plug	60	1	610-75	Bracket, Igniter
8			See Section 3.0 Clutch System	61	2	103-69	SHCS 1/4-20x1.5 Zc
9	1	127-68	Filter, Oil	62	2	113-02	O-Ring
10	1	112-15	SHCS M10x1,5x90mm	63	1	810-20	Lever Asm, Brake - LH
16	1	108-54	Lockwasher, Hi-Collar - M10	64	1	810-21	Lever Asm, Brake - RH
17	3	108-18	Washer .40x1.37x.12 Zc	65	2	103-17	HHCS 3/8-16x1.0 Gr5 Zc
18	4	112-30	SHCS M8x1,25x20mm Zc	66	2	108-26	Washer 3/8 Zc
19	7	108-05	Lockwasher 5/16 Zc	70	1	127-81	Throttle Twist Grip
21	2	811-14	Spacer	71	2	127-35	Grip, Molded
22			See Section 5.0 Brake System	73	1	812-29	Cable Asm, Choke - Conq.
23	1	112-57	HHCS 5/8-11x10.0 Gr5 Zc	74	1	117-68	Nut, Jam 3/8-24 UNF Zinc
24	3	117-09	Locknut, Nylon 5/8-11 Zc	75	1	108-32	Lockwasher 3/8 Int. Tooth
25	3	811-09	Washer, Square - .64 ID	78	1	603-29	Guard, Belt Protect
26	2	108-24	Washer 5/16 SAE Zinc	79	1	601-92	Vinyl Trim - 1.5"
27	2	112-58	HHCS 5/8-11x7.5 Gr5 Zc	80	1	601-93	Vinyl Trim - 4.25"
28	1	811-30	Frame, Powerpack - Conq.	84			See Section 5.0 Brake System
29	2	103-20	HHCS 1/2-13x6.5 Gr5 Zc	86	4	106-07	Retaining Ring
30	2	108-07	Lockwasher 1/2	87	2	127-33	Spring, Extension
31	2	117-06	Nut, Fin Hex 1/2-13 Zc	88	3	103-55	HHCS 5/16-18x2.75 Gr5 Zc
32			See Section 1.0 Transmission	90			See Section 5.0 Brake System
33	2	811-15	Washer, Square Lock .64ID	92	1	812-01	Bracket Asm, Steering
39	2	103-53	HHCS 3/8-16x3.0 Gr5 Full Thread	93	1	812-27	Lever Asm, Steering - LH
40a	1	103-34	HHCS 3/8-16x1.25 Gr5 Zc	94	1	812-26	Lever Asm, Steering - RH
40b	2	103-18	HHCS 3/8-24x1.25 Gr5 Zc	95	1	612-101	Cable Asm, Throttle
41	3	108-06	Lockwasher 3/8 Split Ring Zc	96	1	610-81	Shift Gate, Transmission
42	1	125-56	Drive Belt	97	2	112-01	HHCS 5/16-8x3/4 Gr5 Zn
43			See Section 3.0 Clutch System	100	1	127-11	Spring, Extension
44	1	110-09	Key 1/4x1/4x3.0	101	4	103-41	SHCS 3/8-16x1.25 Zc
45	2	610-80	Brake Disc #50-2x13T	102	4	108-23	Washer 3/8 SAE Gr8 - Dich.
				103	2	126-89	Cap, Vinyl - Black
				105	1	601-86	Clip, Retainer
				107	1	100-64	Tie Wrap - 5.5" - Black



Ref.	Qty.	Part #	Description
1	1	166-01RM	Caliper, Brake - L w/o Pads (incl. Refs 5, 6, 7, 9 - 12)
2	1	166-02RM	Caliper, Brake - R w/o Pads (incl. Refs 5, 6, 7, 9 - 12)
3	2	161-01	O-Ring Kit, Caliper (incl. Refs 5 & 6)
4	2	160-40	SHCS M8x1,25x40 Zc
5	1		Seal, Rubber - 5mm (see Ref 3)
6	2		Seal, Piston - 41mm (see Ref 3)
7	2x2	168-05	Piston 41mm
8	1	170-02	Brake Pad Set (4) - Metallic (Asbestos-free)
9	1x2	168-20	Plug, Rubber
10	1x2	168-03	Screw, Bleeding M10x1,0
11	1x2	109-03	Ball, Steel - 7/32 Dia.
12	2x2	160-41	SHCS M10x1,5x50mm Zc
13	2x2	168-06	Pin, Cotter 3,2x50mm
14	4	160-44	Bolt, Banjo-M10x1,0x21,0 Zc
15	8	160-01	Washer, Copper-1,5x10,0x14,0
16	1x2	163-01	Hose Asm, Hydraulic-310mm
17	1	165-06	Master Cylinder - left (incl. Refs 19 to 21, 24 to 28, 63 & 64)
18	1	165-05	Master Cylinder - right (incl. Refs 19 to 21, 24 to 28, 63 & 64)
19	2x2	160-42	FHMS M5x0,8x6mm
20	1x2	168-08	Cover
21	1x2	168-09	Cover, Rubber
22			See Section 4.0 Power Pack Assembly
24	1x2	162-02	Spring, Comp. 0.59x1.5
25	1x2		Seal, Primary, 19mm (See Ref. 30)
26	1x2	168-10	Piston 19mm dia.
27	1x2		Seal, Secondary, 19mm (See Ref. 30)
28	1x2		Boot, Rubber (See Ref. 30)
30	1x2	161-25	O-Ring Kit - Master Cylinder (incl. Refs 25, 27 & 28)
31	2	812-13	Pin Asm, Plunger-Adjustable
36	2	812-17	Collar
37	2	112-02	SHSS 10-24x1/4 Knurl Cup PT, PL
38		125-92	Adpt. & Mounting Kit - includes the following:
	1		Mounting Bracket
	1		Nut, #10-32
	1		Lockwasher, 3/16"
	1		Screw, #10-32x2"
	2		Nut, 1/4-20
	2		Lockwasher, 1/4"
	2		Screw, 1/4-20x5/8"
	1		Adaptor, 3" dia.
40	1	125-91	Blower Fan
41			See Section 2.0 Intake and Exhaust System
52	2	125-35	Clamp, Gear 3.50" HF-52
53	1	127-06	Hose, Intake - 3" dia. x 26"
57	1	126-36	Brake Cool Air Duct
58	2	108-56	Lockwasher 1/4 Ext. Tooth
59	2	103-63	PHMS, Phil 1/4-20x1.0 Zinc
60		126-19	Fluid, Brake - Silicon Dot 5 - .35L
61	1	118-02	Terminal, Male #76-1251
62	1	118-03	Terminal, Female #76-1289
63	1x2	160-03	O-ring, Oil Window
64	1x2	168-14	Oil Window, Master Cylinder

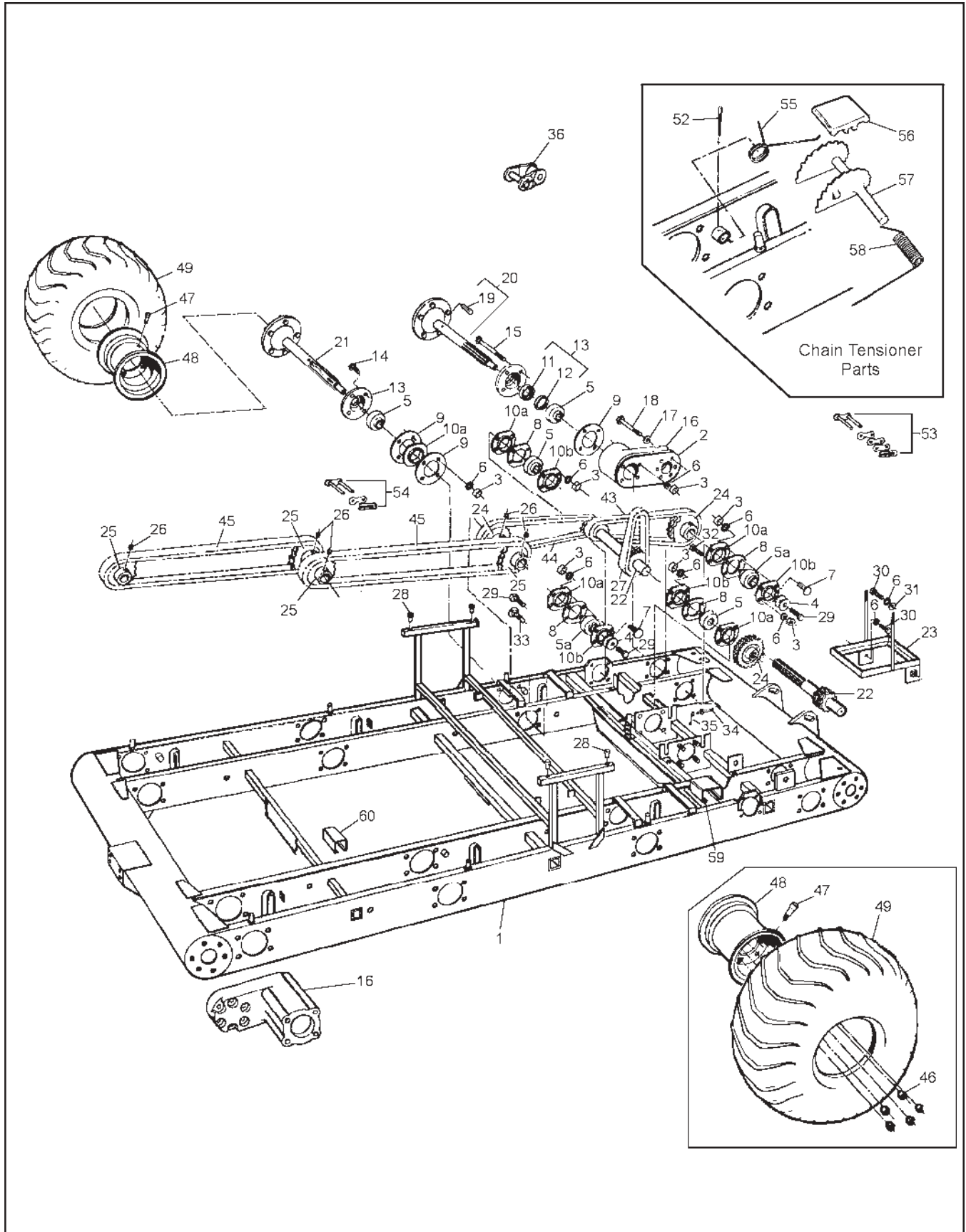


Conquest Parts Manual

6.0 Vehicle Body & Firewall

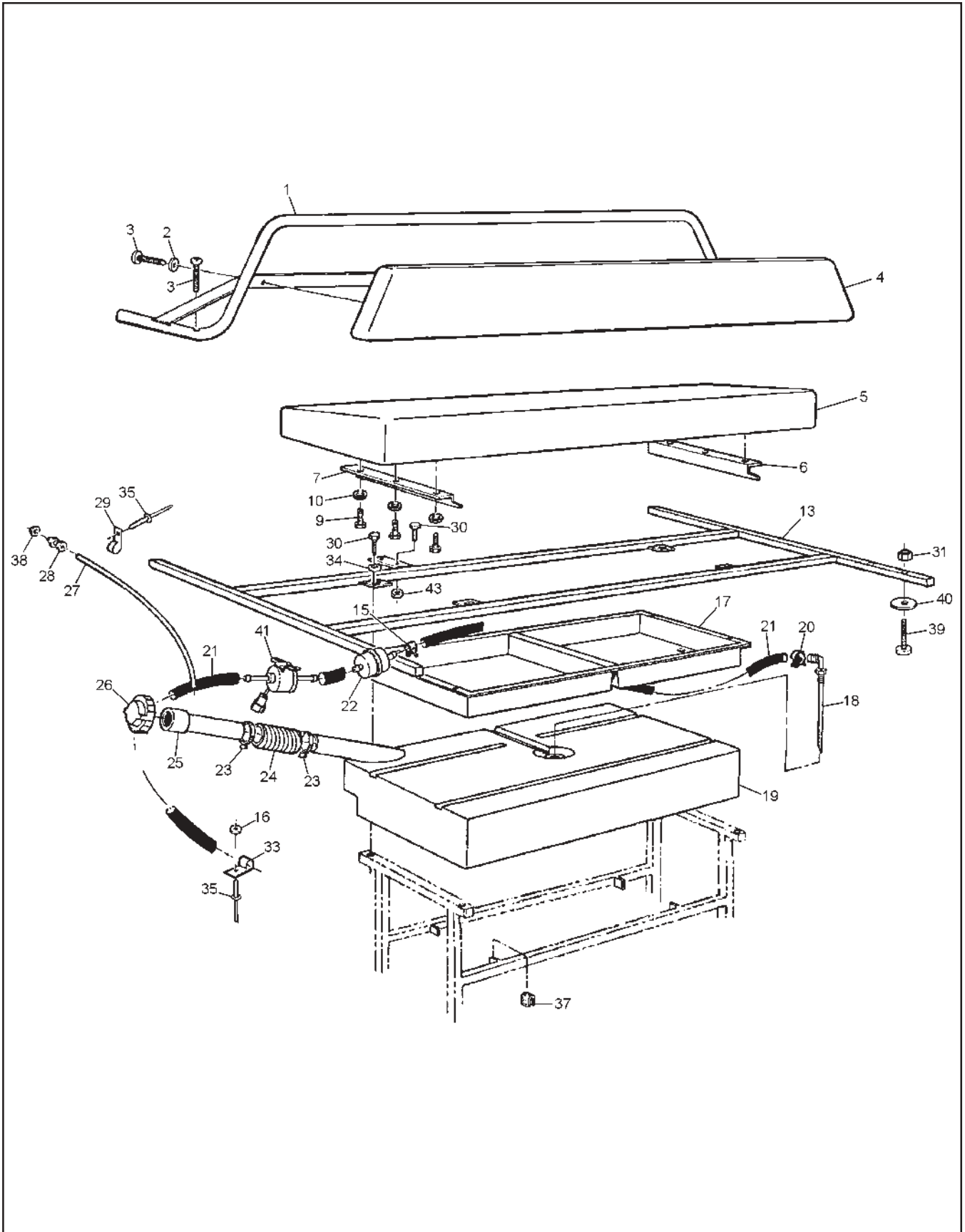
Ref.	Qty.	Part #	Description
1	1	801-98	Body & Hood, Upper - Conq, (spec. colour) (incl. Ref 5,11,12,13,14,15)
2	1	801-48BL	Body, Lower - Conq, (spec. colour)
3	1	127-28	Plug, Nylon - Black
4	1	801-05	Bumper, Vinyl - 8x8
5	1	602-34	Hood Kit - Conq, (spec. colour) (incl. 7,8,9,10,81,82,83,84)
7	1	602-38	Clip, Hood
8	23	120-13	Rivet 3/16x5/8 - Black
8b	63	120-09	Rivet 3/16x1 - Black
9	2	126-10	Wing Stud
10	2	126-09	Grommet, Alum.
11	1	602-24	Frame Asm, Hood
12	2	120-15	Rivet 1/8x7/16
13	1	601-69	Spring Plate
14	1	126-11	Spring
15	2	103-72	Screw, IHWH T/C Slot 1/4-20x3/4
16	1	602-29	Brace, Dash
17	1	601-08	Trim, Vinyl - 84"
18	2	601-09	Trim, Vinyl - 28"
19	4	112-04	HHCS 1/4-20x3/4 Gr2 Zc
20	16	108-25	Washer .31x.75x.06 Zc
21	4	108-03	Lockwasher 1/4
22	4	801-41	Washer, Seat
23	4	126-79	Bumper, Plastic - Black
25	8	103-48	T/S Pan HD PHIL #10x5/8
26	26	120-24	Rivet, 3/32x3/8 Alum.(all plates)
27	4	117-44	T-Nut 1/4-20 Zinc
28	2	127-27	Nameplate - Conquest
28b	1	601-44	Nameplate - Argo
29	1	801-03	Seat, Rear LH - 8x8
30	1	801-02	Seat, Rear RH - 8x8
31	1	609-33	Firewall - Hydraulic Brakes
32	1	803-02	Floor Pan - Front - (spec. colour)
33	1	803-03	Floor Pan - Rear - (spec. colour)
36	57	120-04	Washer .19x.50x.08 Zinc

Ref.	Qty.	Part #	Description
37	1	126-60	Vinyl Strip 1/2"x1/4"x37.5'
38	4	120-05	Washer .19x.50x.04 Zc
39	6	100-16	Clip, Hitch Pin 1.625 Zc
40	2	100-18	Plug, Drain 5/8"x13/32"
41	32	120-28	Collar, Magna Grip
43	32	120-27	Pin, Magna Grip
44	1	863-11	Skid Plate, 8x8 - Black
45	1	126-88	Bumper, Rubber
47	4	103-61	HHCS 3/8-24x1.5 Gr5 Zc
48	4	117-24	Locknut, Nylon 3/8-24 Zc
49	1	616-16	Hitch Assembly
50	1		Vehicle ID Plate, Alum.
51	1	126-65	Plate, Shifting
52	1	127-97	Plate, Caution - Keyswitch
53	1	126-67	Plate, Floor Pan
54	1	126-68	Plate, Operation
55	1	126-69	Plate, Fuel
56	1	127-76	Plate, Cap. Land/Water
58	1		U.S. Plate, Non-U.S. Argos only
61	1	125-41	Handle, Dash (incl. 62)
62	2		Plug Cap, (avail. only with 61)
63	3	117-10	Locknut, Nylon #10-24 Zc
65	3	103-25	PHMS #10-24x3/4 Zinc
66	1	125-84	Grommet, Rubber
67	2	127-01	Reflector, Red
69	1	807-73	Screen, Intake - Conquest
70	1	807-74	Screen, Exhaust - Conquest
72	28	120-11	Rivet 5/32 x 9/16 - Black
73	1	117-15	Nut, Fin Hex 3/8-16 Zinc
74	1	602-27	Support, Adjustable
75	1	103-89	C/Bolt 3/8-16x3/4 Gr2 Zinc
76	1	108-06	Lockwasher 3/8
78	1	616-19	Tube, Hitch
79	1	104-13	Pin, Top Link
80	1	104-11	Pin, Lynch
81	2	127-45A	Pin, Hinge
82	2	127-45B	Knuckle, Hinge
83	8	103-47	HHCS 10-24x1/2
84	8	108-59	Lockwasher #10 Int. Tooth Zinc



Ref.	Qty.	Part #	Description
1	1	806-00	Frame Asm - 8x8
2	2	605-69	Gasket - Bearing Extension
3	80	117-15	Nut, Fin Hex 3/8-16 Zinc
4	16	108-46	Washer .40x1.37x.12 Hi-Carbon
5	12	101-35	Bearing, Ball - 1.25
5a	8	101-41	Bearing, Ball - 1.0
6	82	108-06	Lockwasher 3/8
7	30	103-88	C/Bolt 3/8-16x1.0 Gr5 Zc
8	12	605-99	Gasket, Flange - Inner
9	12	605-89	Gasket, Flange - Outer
10a	16	605-63	Flange - 4 hole
10b	12	101-20	Flange, Greasable - 4 hole
11	8	102-14	Seal, Oil 1.25x1.75x0.188
12	8	102-15	Seal, Oil 1.25x1.874x0.25
13	8	605-97	Flange Asm, Outer (incl. Refs. 11 & 12)
14	16	112-39	C/Bolt 3/8-16x1.75 Gr5 Zc
15	16	103-67	C/Bolt 3/8-16 x 6 Gr2 Zc
16	4	810-36	Bearing Extension (uses Refs. 17 & 18)
17	24	108-34	Washer 7/16 SAE Zinc
18	24	103-81	HHCS 7/16-20x2.5 Gr5 Zc
19	5x8	103-80	Stud, Wheel 7/16-20x1.125 #B271
20	4	810-73	Axle Asm - Front/Rear (incl. Ref. 19)
21	4	810-75	Axle Asm - Mid (incl. Ref. 19)
22	2	810-32	Shaft, Idler - 11T
23	1	604-84	Frame Asm, Battery
24	6	810-28	Sprocket, Double - 24T
25	8	606-34	Sprocket, S60x19T
26	10	112-03	SHSS 5/16-18x3/8 1/2 DOG, PL
27	2	803-17	Chain, Idler RC50-2x40P (incl. Ref. 53)
28	4	117-64	Insert, 1/4-20
29	12	112-31	HHCS 3/8-16x1.0 2B Gr8 Zc
30	2	112-14	HHCS 3/8-16x.75 Gr5 Zc
31	1	108-15	Washer 3/8 SAE Zc
32	2	103-82	HHCS 3/8-16x1.5 Gr5 Zc
33	4	112-61	C/Bolt 3/8-16 x 1.25 Gr5 Zc
34	2	120-15	Rivet 1/8x7/16
35	1	126-11	Spring
36		127-80	Link, Half - RC60 - 1 (opt.)
43	2	603-17	Chain, RC50-2 x 42P-Front (incl. Ref. 53)
44	2	603-20	Chain, RC50-2 x 70P-Mid (incl. Ref. 53)
45	4	603-93	Chain, RC60-1 x 84P-Rear (incl. Ref. 54)
46	5x8	117-35	Nut, Wheel 7/16-20 Zc
47	8	125-26	Valve, Tire
48	8	125-13C	Rim - Charcoal
49	8	126-96	Tire, Goodyear Runamuk 22x10-8
52	6	100-01	Pin, Cotter 1/8x1.50 Zc
53	1x6	100-96	Con. Link, RC50-2 H.D.
54	1x4	603-84	Con. Link, RC60-1 H.D.
55	6	127-65	Spring Torsion - 1.16x0.35
56	6	606-39	Slider Block -1/2" Shaft
57	6	606-35	Tensioner Asm, Chain
58	6	127-64	Spring, Torsion - .76x1.9
59	2	606-41	Slide, Chain - 2"
60	4	606-42	Slide, Chain - 1.25"

8.0 Fuel System & Seat Assembly Conquest Parts Manual

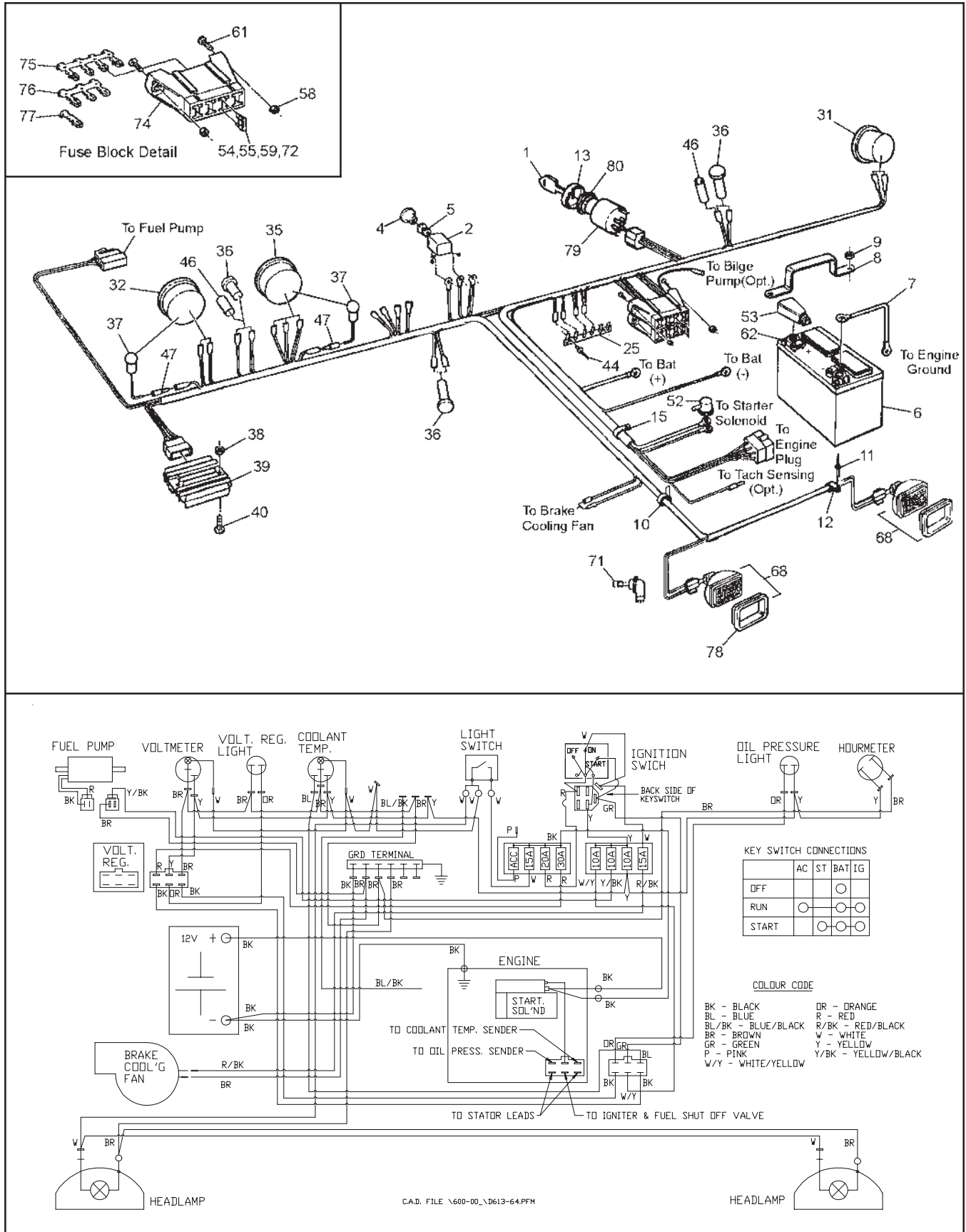


Conquest Parts Manual 8.0 Fuel System & Seat Assembly

Ref.	Qty.	Part #	Description
1	1	803-50	Handrail Assembly
2	4	108-03	Lockwasher 1/4
3	6	112-41	PHMS, PHIL 1/4-20x1.25 Zinc
4	1	608-39	Back Pad Asm
5	1	608-43	Seat, Bench
6	1	608-30	Angle, Left
7	1	608-31	Angle, Right
9	6	112-04	HHCS 1/4-20x3/4 Gr2 Zc
10	6	108-03	Lockwasher 1/4
13	1	804-17	Frame Asm, Seat
15	2	112-78	Clamp, Hose, 9/16" - Black
16	2	120-04	Washer .19x.50x.08 Zinc
17	1	608-32	Tool Box
18	1	608-28	Pickup Assembly, Fuel (See Ref. 19)
19	1	608-24	Tank, Fuel - 32 litre (incl. Ref. 18)
20	4	112-79	Clamp, Hose, 1/2" - Black
21	1	608-42	Fuel Hose - 110"
22	1	125-64	Fuel Filter
23	2	100-12	Clamp, Gear 2.25" HF-36
24	1	125-94	Hose, Filler
25	1	126-47	Neck Asm, Fuel
26	1	126-46	Cap, Fuel
27	1	127-21	Hose, Vent - 86"
28	1	126-50	Male Connector, 1/4"
29	5	126-94	Clamp, Nylon Wire - 1/4"ID
30	6	112-04	HHCS 1/4-20x3/4 Gr2 Zc
31	12	117-10	Locknut, Nylon #10-24 Zc
33	3	126-93	Clamp, Nylon Wire - 1/2"ID
34	4	108-08	Washer .28x.62x.04 Zinc
35	8	120-09	Rivet 3/16x1 - Black
37	4	702-06	Foam Cushion
38	1	117-54	Nut, Locking PAL 1/2-20 Zc
39	12	112-07	RHMS 10-24x1.25 Zc
40	12	108-42	Washer .21x1.0x.06 Zinc
41	1	49040-2065	Pump, Fuel
43	2	117-27	Locknut, Nylon 1/4-20 Zc

9.0 Electrical System

Conquest Parts Manual



Ref.	Qty.	Part #	Description
1	2	127-108	Key, Molded
2	1	100-62	Switch, Light
3	1	613-64	Wire Harness - Conquest (incl. Fuse Holders)
4	1	126-76	Knob, Light
5	1	108-55	Lockwasher 7/16 External Tooth
6	1	127-54	Battery, Exide 45-50
7	1	613-14	Wire, Ground - 14"
8	1	604-52	Bracket, Battery Retaining
9	2	117-21	Locknut, Nylon 5/16-18 Zc
10	8	100-64	Tie Wrap, 5.5" - Black
11	6	120-13	Rivet 3/16x5/8 - Black
11a	10	120-09	Rivet 3/16x1 - Black
12	16	126-93	Clamp, Nylon Wire-1/2" ID
13	1	127-107	Cover, Nut
15	5	127-24	Clamp, Nylon - 1" ID
25	1	613-37	Terminal Strip, Ground
31	1	632-15	Hourmeter
32	1	633-10	Voltmeter
35	1	634-22	Gauge, Water Temperature
36	3	634-08	Light, Indicator
37	2	634-10	Light Kit, #06215-00
38	2	117-27	Locknut, Nylon 1/4-20 Zc
39	1	21066-2070	Regulator, Voltage
40	2	103-63	PHMS, PHIL 1/4-20x1.0 Zc
44	2	120-15	Rivet 1/8x7/16
46	2	118-48	Heat Shrink, 2 x 1/2
47	2	118-02	Terminal, Male #76-1251
52	1	613-46	Terminal Insulator (2 ga.)
53	1	127-55	Cap, Battery Terminal
54	1	118-53	Fuse, 20A 2 prong (AT020)
55	2	118-49	Fuse, 15A 2 prong (AT015)
58	4	117-10	Locknut, Nylon #10-24 Zc
59	3	118-52	Fuse, 10A 2 prong (AT010)
61	4	103-25	PHMS #10-24x3/4 Zc
62	2	127-56	Terminal, Battery Post
68	2	613-62	Headlamp Asm (incl. Refs. 71 & 78)
71	2	127-46	Bulb, Headlight - Halogen
72	1	118-51	Fuse, 30A 2 prong (AT030)
74	2	118-60	Block - Fuse, 8 position (4 fuse)
75	1	118-61	Terminal - Fuse, quad
76	1	118-63	Terminal - Fuse, triple
77	9	118-62	Terminal - Fuse, single
78	2	613-62RB	Bezel, Rubber Headlamp
79	1	127-105	Switch, Ignition
80	1	127-106	Nut, flanged, plastic

ARGO Products Manufactured by:

Ontario Drive & Gear Limited

P.O. Box 280, 220 Bergey Court

New Hamburg, Ontario

Canada N0B 2G0

Phone: (519) 662-2840

Fax: (519) 662-2421

ODG *Dedicated to quality and performance*



ARGO

CONQUEST PARTS MANUAL

**Model Nos. V899-37 &
V899-38**

From Serial # CB17857

Foreword

ODG has prepared this parts manual for the CONQUEST model to assist both qualified mechanics and vehicle owners in ordering correct, quality replacement ARGO parts.

Proper and regular service, and replacing old, worn or broken parts with the correct ARGO replacement parts, are both essential to prolonging the life of the ARGO. Please refer to this parts manual before ordering any replacement part.

All information contained in this CONQUEST Parts Manual is based on the latest product specification available at time of printing. If your CONQUEST differs from the specifications contained in this manual, contact Ontario Drive & Gear Limited for information.

ODG reserves the right to alter specifications on the CONQUEST model at any time, without obligation or prior notification.

Reproduction of this CONQUEST Parts Manual, in whole or in part, is prohibited without prior written permission from Ontario Drive & Gear Limited.

Model Identification

CONQUEST - Model Nos. V899-37 and V899-38

Explanation of Parts Manual Format

- Ref** - Reference number between assembly diagram and component parts list
- Part No.** - Argo replacement part number for identification and re-ordering
- Description** - Part description for identification and re-ordering
- Qty** - Indicates the quantity of a part used in an Assembly

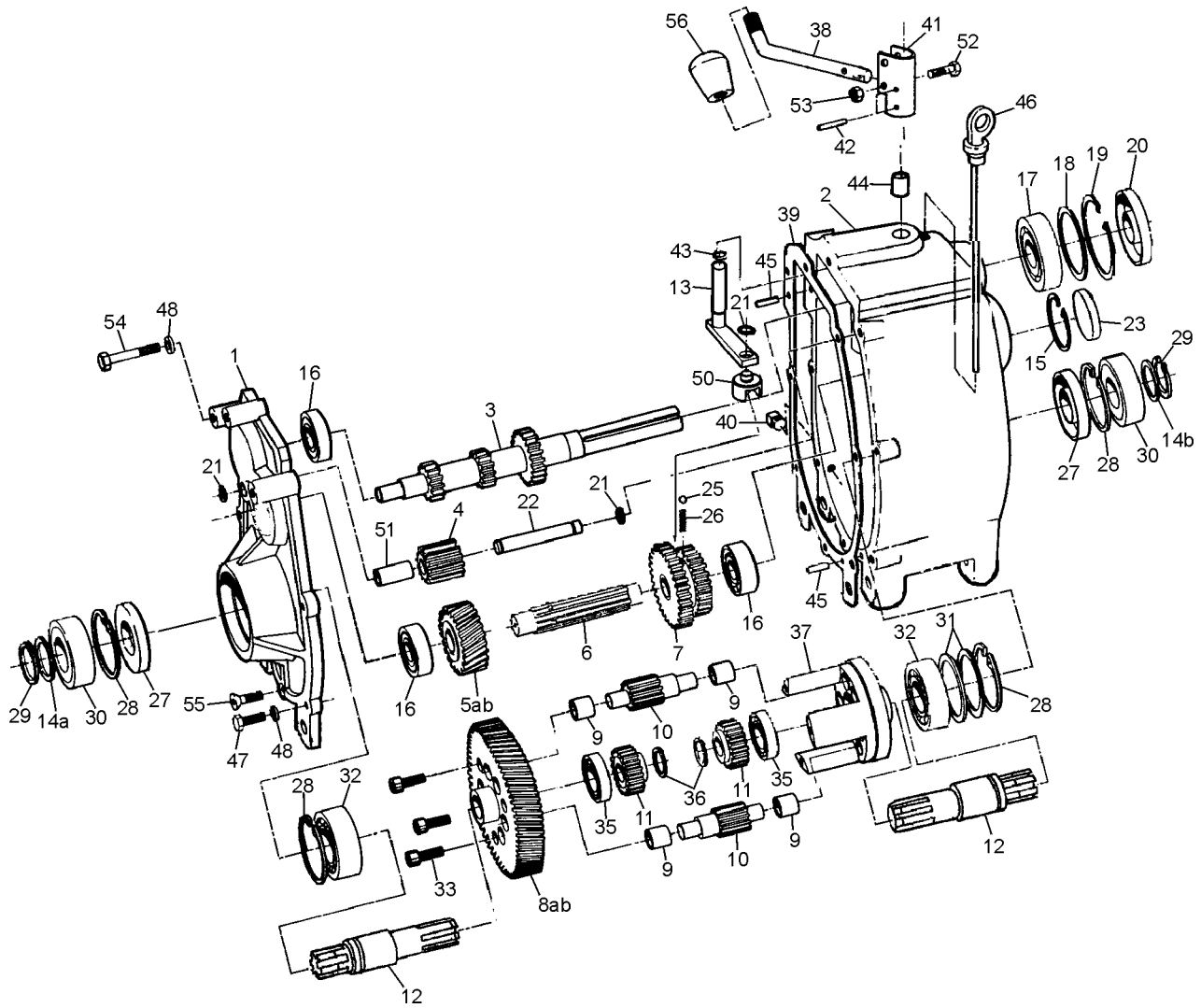


Using the Parts Manual

1. Find the major vehicle assembly in the Table of Contents on this page, and turn to that section.
2. Locate the part in the illustration that you wish to order.
3. Refer to the parts list in that section.
4. Find the correct part number (Part No.), part description (Description) and correct quantity (Qty).
5. Use *only* this information to order ARGO replacement parts. *DO NOT* attempt to order a replacement part by reference number or page number.

Table of Contents

Foreword	i
Model Identification	i
Using the Parts Manual	ii
1.0 Transmission	1
2.0 Intake and Exhaust System	3
3.0 Clutch System	4
4.0 Power Pack Assembly	5
5.0 Brake System - Hydraulic	7
6.0 Vehicle Body & Firewall	9
7.0 Frame & Drive System	11
8.0 Fuel System & Seat Assembly	13
9.0 Electrical System	15



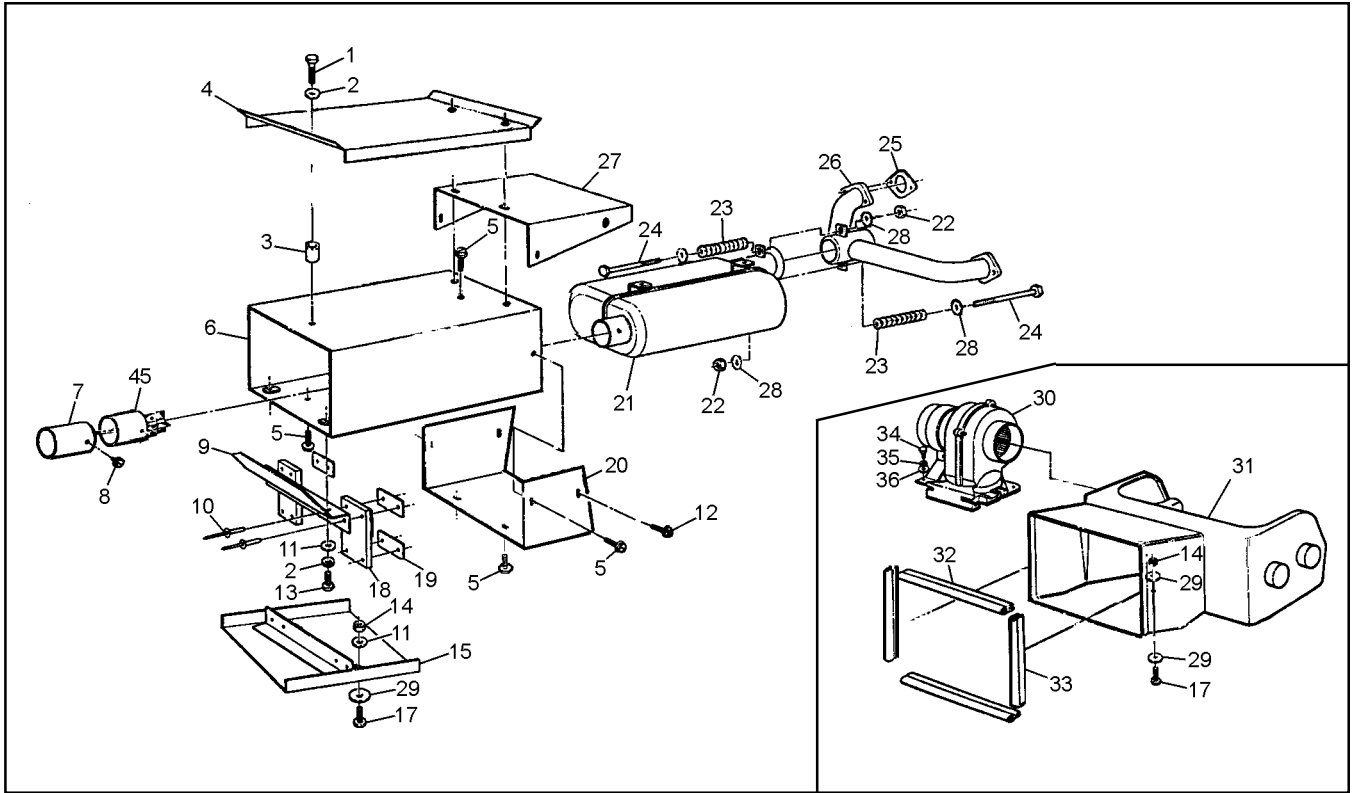
Conquest Parts Manual

1.0 Transmission

Ref.	Qty.	Part #	Description
		610-18M	Transmission Asm - M, does not include Refs 38, 52, 53 & 56, uses Refs 5a & 8a
		610-18G	Transmission Asm - G, does not include Refs 38, 52, 53 & 56, uses Refs 5b & 8b
1	1	34-68	Cover, Transmission
2	1	34-99	Housing, Transmission
3	1	34-21	Shaft, Input - 13/21T
4	1	34-16A	Gear, Idler - 13T (incl. Ref 51)
5a	1	34-95	Gear, Helical - 24T - M
5b	1	34-97	Gear, Helical - 21T - G
6	1	34-94	Shaft, Spline
7	1	34-91	Gear, Double - 26/33T
8a	1	34-22	Gear Plate - 73T - M
8b	1	34-45	Gear Plate - 76T - G
9	12	105-03	Bushing, Oilite - 1/2 x 3/4
10	6	34-13	Gear, Planet - 12T
11	2	34-14	Gear, Sun - 21T
12	2	34-98	Shaft, Output
13	1	34-65	Shifter Asm.
14a	1	114-04	Washer, Shim .040 Thk
14b	1	114-05	Washer, Shim .020 Thk
15	1	106-01	Retaining Ring
16	3	101-01	Bearing, Ball 6204Z-C3
17	1	101-16	Bearing, Ball 6206-C3
18	as req.	114-02	Washer, Shim 2.06x2.42x.02
19	1	106-05	Retaining Ring
20	1	102-05	Seal, Oil WBS 30x62x10
21	3	107-05	Retaining Ring
22	1	34-11	Pin, Dowel 1/2 x 3.50
23	1	31-07	Plug Plate
25	1	109-05	Ball, Steel 6mm 62-67 Rc
26	1	34-32	Spring, Compression - 7/32x.50
27	2	102-03	Seal, Oil WBS 30x72x10
28	4	106-03	Retaining Ring
29	2	107-02	Retaining Ring
30	2	101-05	Bearing, Ball 6306-2NSE C3
31	2	114-01	Washer, Shim 2.25x2.81x.02
32	2	101-03	Bearing, Ball 6207-C3
33	3	103-04	SHCS 5/16-18x1.0 Bare
35	2	101-15	Bearing, Ball 6005-C3
36	2	107-04	Retaining Ring
37	1	34-08	Cage
38	1	610-77	Lever, Shift
39	1	34-47	Gasket, Cover - 1/64" Thk
40	1	103-02	Plug, Magnetic 3/8-18 NPT
41	1	34-86	Holder, Shift Lever
42	2	111-01	Pin, Spring 5/32x1.0
43	1	113-01	O-Ring
44	1	105-02	Bushing, Oilite - 1/2 x 1.0
45	2	104-03	Pin, Dowel 1/4 x 7/8
46	1	34-77	Dipstick, with breather
47	4	103-06	HHCS 5/16-18x1.0 GR5 Zc
48	7	108-05	Lockwasher 5/16
50	1	34-63	Shift Yoke
51	1	105-05	Bushing, Oilite - 1/2 x 1.5 (in Ref. 4)
52	1	103-97	HHCS 1/4-20x1.25 GR5 Zc
53	1	117-27	Locknut, Nylon 1/4-20 Zc
54			See Section 4.0 Power Pack Assembly
55	1	103-95	FHSC 5/16-18x1.0 GR8 Zc
56	1	126-38	Knob, Shift

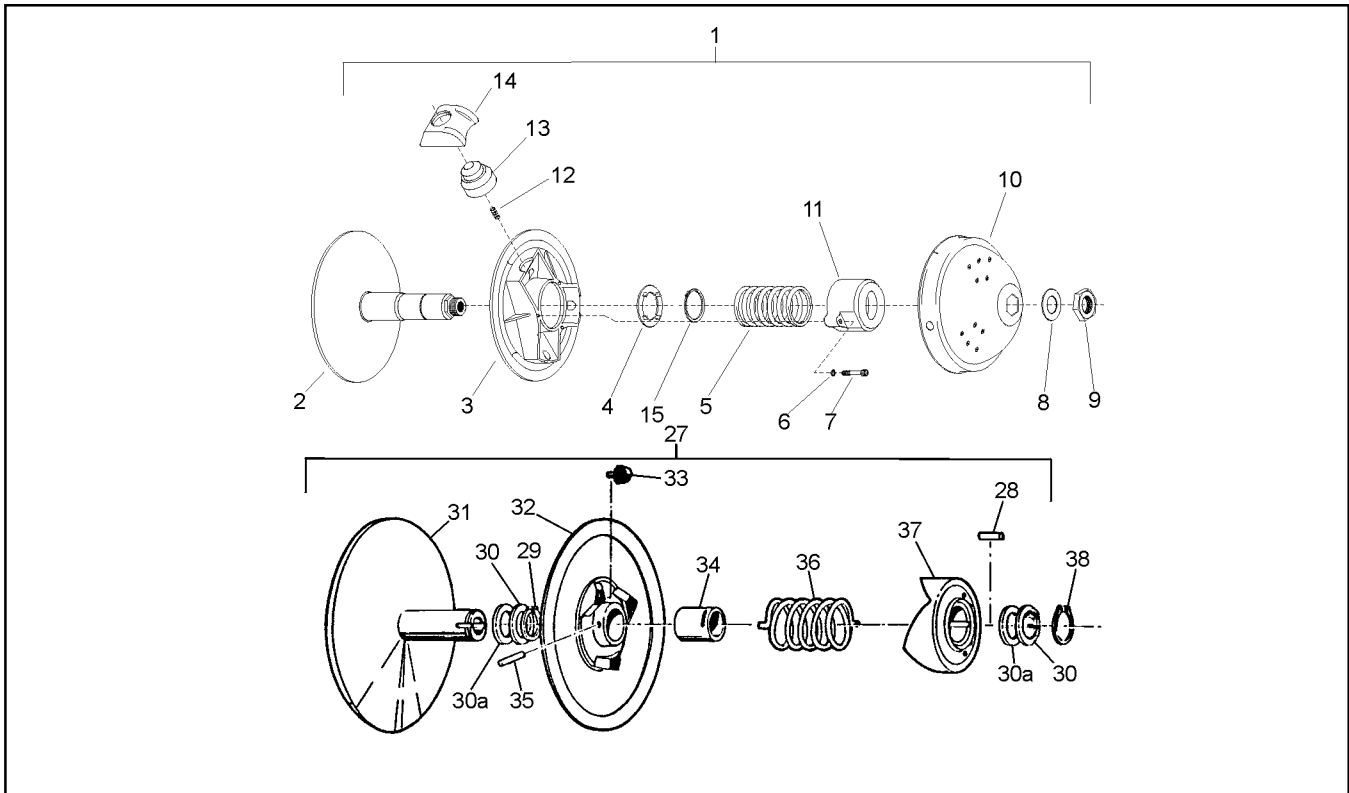
2.0 Intake and Exhaust System

Conquest Parts Manual



Ref.	Qty.	Part #	Description
1	3	103-97	HHCS 1/4-20x1.25 Gr5 Zc
2	5	108-03	Lockwasher 1/4
3	3	807-71	Spacer
4	1	807-72	Shield, Heat
5	7	112-19	Screw IHWH T/C 1/4-20x1/2
6	1	807-41	Shield Asm, Muffler
7	1	807-75	Pipe, Muffler Outlet
8	1	112-43	Screw, IHWH #8x3/8
9	1	807-43	Support, Upper
10	8	120-09	Rivet 3/16x1 - Black
11	4	108-08	Washer .28x.62x.04 Zinc
12	2	103-48	T/S Pan Hd Phil #10 x 5/8
13	2	112-04	HHCS 1/4-20x3/4 Gr2 Zc
14	4	117-27	Locknut, Nylon 1/4-20 Zc
15	1	807-49	Support, Lower
17	4	103-63	PHMS, PHIL 1/4-20x1.0 Zc
18	2	126-07	Support, Flex
19	4	807-69	Washer, Special
20	1	807-70	Cover, Lower
21	1	807-42	Muffler Asm - Conquest

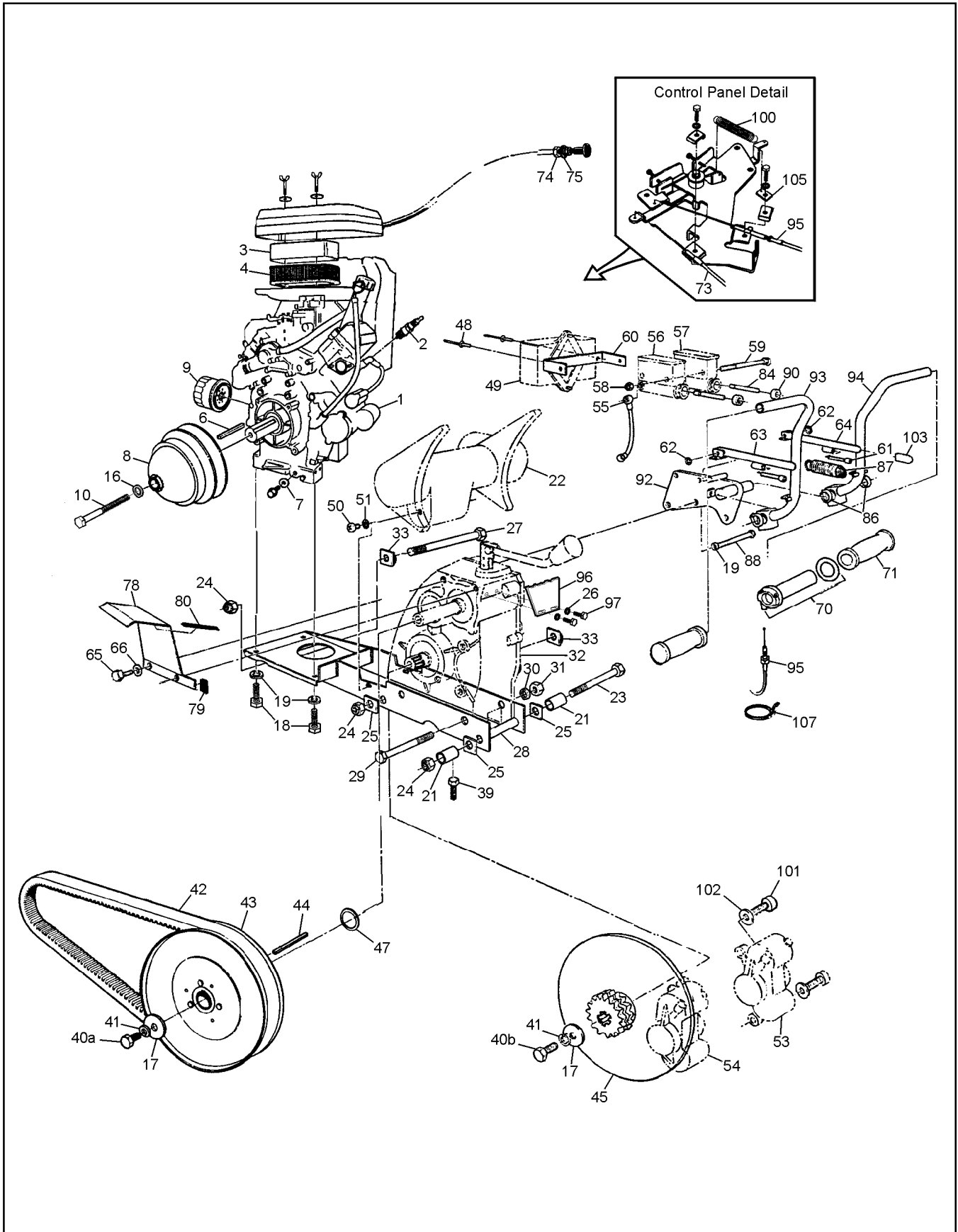
Ref.	Qty.	Part #	Description
22	2	117-25	Nut, Conelock 5/16-18
23	2	100-10	Spring, Compression
24	2	112-18	SHCS 5/16-18x2.25
25	2	11060-2079	Gasket, Muffler
26	1	807-66	Manifold Asm
27	1	807-38	Cover, Manifold
28	4	108-24	Washer .34x.70x.06 Zc
29	6	108-01	Washer, Fender 1/4 BSx1.25OD
30			See Section 5.0 Brake System
31	1	807-76	Duct, Routed Intake
32	2	807-77	Seal, Radiator - 11.5" lg.
33	2	807-78	Seal, Radiator - 9.75" lg.
34	4	103-47	HHCS, #10-24x1/2
35	4	120-05	Washer, .19x.50x.04
36	4	108-59	Lockwasher #10 Int.Tooth
45	1	807-67	Spark Arrester



Ref.	Qty.	Part #	Description
1	1	127-71	Clutch, Driver - Keyed (incl. Refs 2 to 14)
2	1	0405-0044	Pulley, Half - Fixed
3	1	0410-0006	Pulley, Half - Sliding
4	1	V09	Plate, Spring Guide
5	1	V10-48-103-18	Spring
6	3	420-2453-700	Lockwasher
7	3	222-9640-66	SHCS
8	1	0080-0153	Washer, Zc
9	1	0080-0100	Nut
10	1	0115-0003(A)	Cap
11	1	0440-0001	Cover, Spring
12	3	C24-L1	Spring, Anti-noise
13	3	0135-2045	Weight, 266g
14	3	0130-3002	Block, Red
15	1	V08C	Retaining Ring
27	1	126-24	Clutch, Driven - Model "B" (incl. Refs 28 to 37)
28	1	ASK-5	Key 1/4x1/4x5/8
29	1	ASR-6	Retaining Ring
30	as req	ASA-1-S	Spacer .025" Thick
30a	as req	ASA-1	Spacer .050" Thick
31	1	AFK25.4-250OD01	Pulley, Half - Fixed
32	1	AMC-2-250OD01	Pulley, Half -Sliding incl. Refs. 33, 34 & 35
33	3	ANS-2-T	Shoe, Cam
34	1	AMB-2	Bushing, Bronze
35	1	111-01	Pin, Spring 5/32x1.0
36	1	ACS-3-188	Spring, Blue
37	1	AFC-4-C3D4	Cam
38	1	371-9031-0	Retaining Ring

4.0 Power Pack Assembly

Conquest Parts Manual

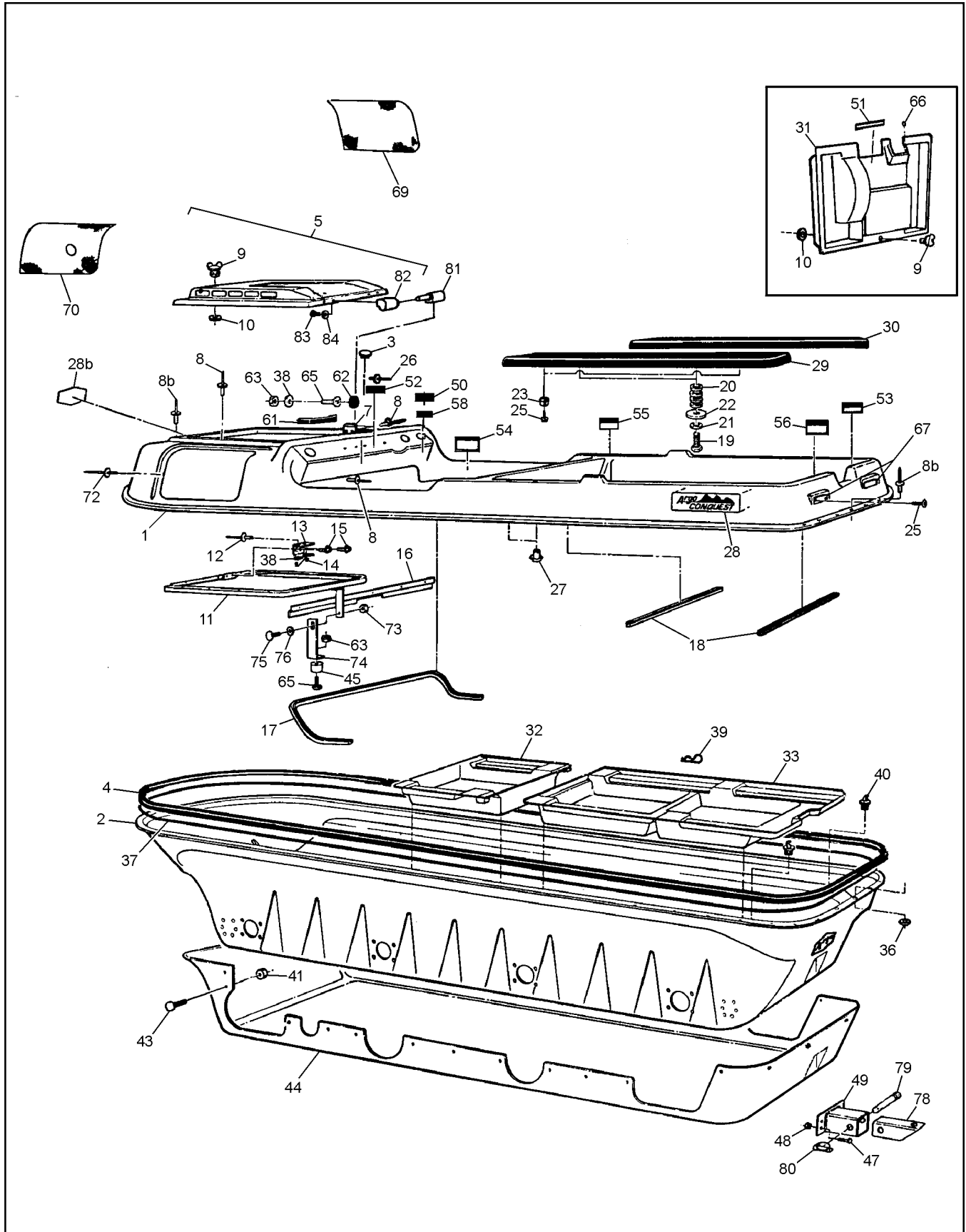


Conquest Parts Manual

4.0 Power Pack Assembly

Ref.	Qty.	Part #	Description	Ref.	Qty.	Part #	Description
1	1	FD620D-HS12	Engine - Kawasaki, (incl. Refs. 2, 3, 4, 7, 9, 49)	47	as req	108-36	Washer 1.03x1.37x.06 Zinc
2a	2	92070-2072	Sparkplug, BMR4A (for prior to S/N CB17857)	48	2	120-13	Rivet 3/16x5/8 - Black
2b	2	92070-2112	Sparkplug, BPR4ES (from S/N CB17857)	49	1	21119-2157	Igniter
3	1	11013-2114	Element, Air Filter - Foam	50 to 57			See Section 5.0 Brake System
4	1	11013-2139	Element, Air Filter - Paper	58	2	117-27	Locknut, Nylon 1/4-20 Zc
6	1	110-13	Key 1/4x1/4x2.25	59	2	103-66	HHCS 1/4-20x4.0 Gr5 Zc
7	1	11009-2566	Gasket, Drain Plug	60	1	610-75	Bracket, Igniter
8			See Section 3.0 Clutch System	61	2	103-69	SHCS 1/4-20x1.5 Zc
9	1	127-68	Filter, Oil	62	2	113-02	O-Ring
10	1	112-15	SHCS M10x1,5x90mm	63	1	810-20	Lever Asm, Brake - LH
16	1	108-54	Lockwasher, Hi-Collar - M10	64	1	810-21	Lever Asm, Brake - RH
17	3	108-18	Washer .40x1.37x.12 Zc	65	2	103-17	HHCS 3/8-16x1.0 Gr5 Zc
18	4	112-30	SHCS M8x1,25x20mm Zc	66	2	108-26	Washer 3/8 Zc
19	7	108-05	Lockwasher 5/16 Zc	70	1	127-81	Throttle Twist Grip
21	2	811-14	Spacer	71	2	127-35	Grip, Molded
22			See Section 5.0 Brake System	73	1	812-29	Cable Asm, Choke - Conq.
23	1	112-57	HHCS 5/8-11x10.0 Gr5 Zc	74	1	117-68	Nut, Jam 3/8-24 UNF Zinc
24	3	117-09	Locknut, Nylon 5/8-11 Zc	75	1	108-32	Lockwasher 3/8 Int. Tooth
25	3	811-09	Washer, Square - .64 ID	78	1	603-29	Guard, Belt Protect
26	2	108-24	Washer 5/16 SAE Zinc	79	1	601-92	Vinyl Trim - 1.5"
27	2	112-58	HHCS 5/8-11x7.5 Gr5 Zc	80	1	601-93	Vinyl Trim - 4.25"
28	1	811-30	Frame, Powerpack - Conq.	84			See Section 5.0 Brake System
29	2	103-20	HHCS 1/2-13x6.5 Gr5 Zc	86	4	106-07	Retaining Ring
30	2	108-07	Lockwasher 1/2	87	2	127-33	Spring, Extension
31	2	117-06	Nut, Fin Hex 1/2-13 Zc	88	3	103-55	HHCS 5/16-18x2.75 Gr5 Zc
32			See Section 1.0 Transmission	90			See Section 5.0 Brake System
33	2	811-15	Washer, Square Lock .64ID	92	1	812-01	Bracket Asm, Steering
39	2	103-53	HHCS 3/8-16x3.0 Gr5 Full Thread	93	1	812-27	Lever Asm, Steering - LH
40a	1	103-34	HHCS 3/8-16x1.25 Gr5 Zc	94	1	812-26	Lever Asm, Steering - RH
40b	2	103-18	HHCS 3/8-24x1.25 Gr5 Zc	95	1	612-101	Cable Asm, Throttle
41	3	108-06	Lockwasher 3/8 Split Ring Zc	96	1	610-81	Shift Gate, Transmission
42	1	125-56	Drive Belt	97	2	112-01	HHCS 5/16-8x3/4 Gr5 Zn
43			See Section 3.0 Clutch System	100	1	127-11	Spring, Extension
44	1	110-09	Key 1/4x1/4x3.0	101	4	103-41	SHCS 3/8-16x1.25 Zc
45	2	610-80	Brake Disc #50-2x13T	102	4	108-23	Washer 3/8 SAE Gr8 - Dich.
				103	2	126-89	Cap, Vinyl - Black
				105	1	601-86	Clip, Retainer
				107	1	100-64	Tie Wrap - 5.5" - Black

Ref.	Qty.	Part #	Description
1	1	166-01RM	Caliper, Brake - L w/o Pads (incl. Refs 5, 6, 7, 9 - 12)
2	1	166-02RM	Caliper, Brake - R w/o Pads (incl. Refs 5, 6, 7, 9 - 12)
3	2	161-01	O-Ring Kit, Caliper (incl. Refs 5 & 6)
4	2	160-40	SHCS M8x1,25x40 Zc
5	1		Seal, Rubber - 5mm (see Ref 3)
6	2		Seal, Piston - 41mm (see Ref 3)
7	2x2	168-05	Piston 41mm
8	1	170-02	Brake Pad Set (4) - Metallic (Asbestos-free)
9	1x2	168-20	Plug, Rubber
10	1x2	168-03	Screw, Bleeding M10x1,0
11	1x2	109-03	Ball, Steel - 7/32 Dia.
12	2x2	160-41	SHCS M10x1,5x50mm Zc
13	2x2	168-06	Pin, Cotter 3,2x50mm
14	4	160-44	Bolt, Banjo-M10x1,0x21,0 Zc
15	8	160-01	Washer, Copper-1,5x10,0x14,0
16	1x2	163-01	Hose Asm, Hydraulic-310mm
17	1	165-06	Master Cylinder - left (incl. Refs 19 to 21, 24 to 28, 63 & 64)
18	1	165-05	Master Cylinder - right (incl. Refs 19 to 21, 24 to 28, 63 & 64)
19	2x2	160-42	FHMS M5x0,8x6mm
20	1x2	168-08	Cover
21	1x2	168-09	Cover, Rubber
22			See Section 4.0 Power Pack Assembly
24	1x2	162-02	Spring, Comp. 0.59x1.5
25	1x2		Seal, Primary, 19mm (See Ref. 30)
26	1x2	168-10	Piston 19mm dia.
27	1x2		Seal, Secondary, 19mm (See Ref. 30)
28	1x2		Boot, Rubber (See Ref. 30)
30	1x2	161-25	O-Ring Kit - Master Cylinder (incl. Refs 25, 27 & 28)
31	2	812-13	Pin Asm, Plunger-Adjustable
36	2	812-17	Collar
37	2	112-02	SHSS 10-24x1/4 Knurl Cup PT, PL
38		125-92	Adpt. & Mounting Kit - includes the following:
	1		Mounting Bracket
	1		Nut, #10-32
	1		Lockwasher, 3/16"
	1		Screw, #10-32x2"
	2		Nut, 1/4-20
	2		Lockwasher, 1/4"
	2		Screw, 1/4-20x5/8"
	1		Adaptor, 3" dia.
40	1	125-91	Blower Fan
41			See Section 2.0 Intake and Exhaust System
52	2	125-35	Clamp, Gear 3.50" HF-52
53	1	127-06	Hose, Intake - 3" dia. x 26"
57	1	126-36	Brake Cool Air Duct
58	2	108-56	Lockwasher 1/4 Ext. Tooth
59	2	103-63	PHMS, Phil 1/4-20x1.0 Zinc
60		126-19	Fluid, Brake - Silicon Dot 5 - .35L
61	1	118-02	Terminal, Male #76-1251
62	1	118-03	Terminal, Female #76-1289
63	1x2	160-03	O-ring, Oil Window
64	1x2	168-14	Oil Window, Master Cylinder

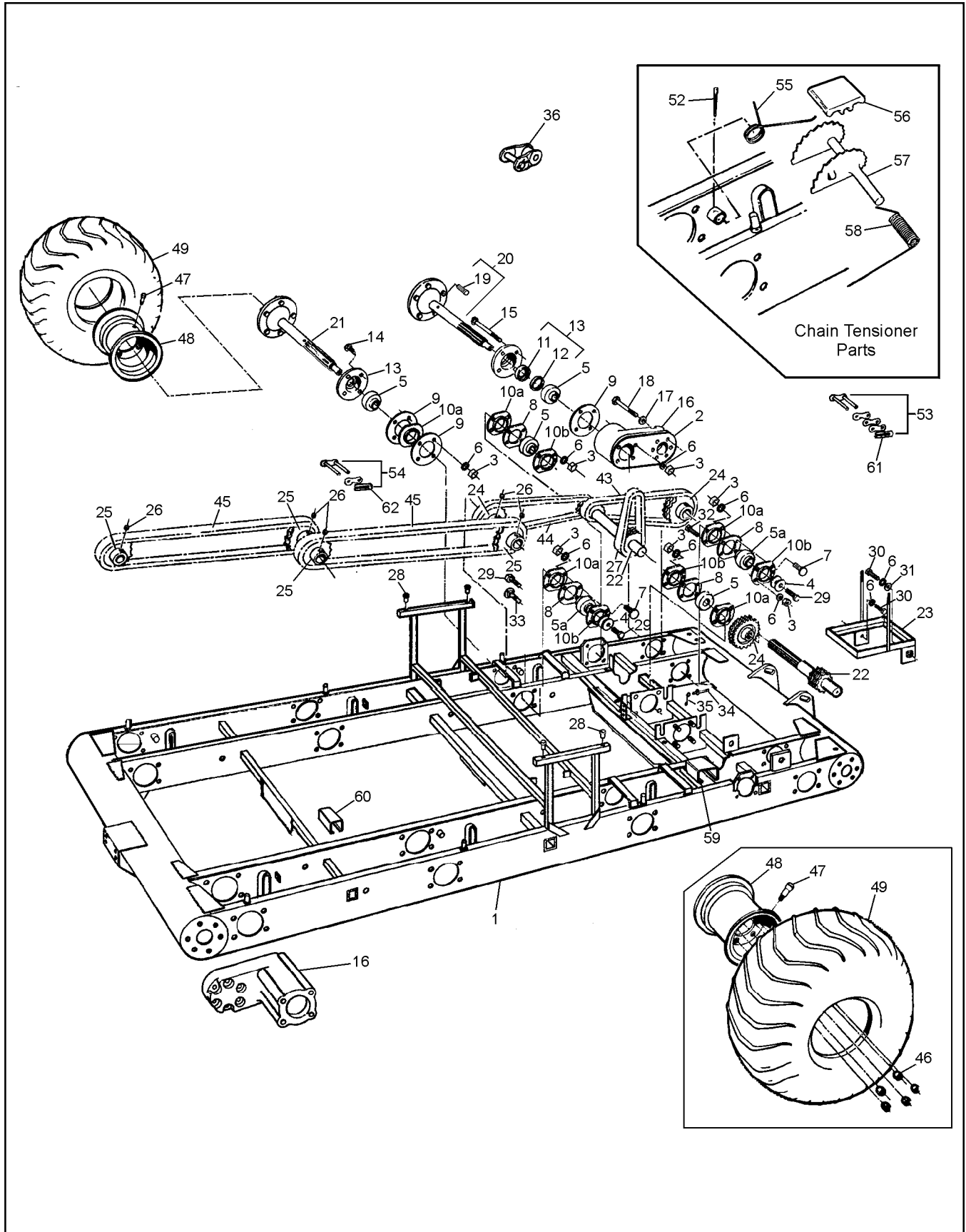


Conquest Parts Manual

6.0 Vehicle Body & Firewall

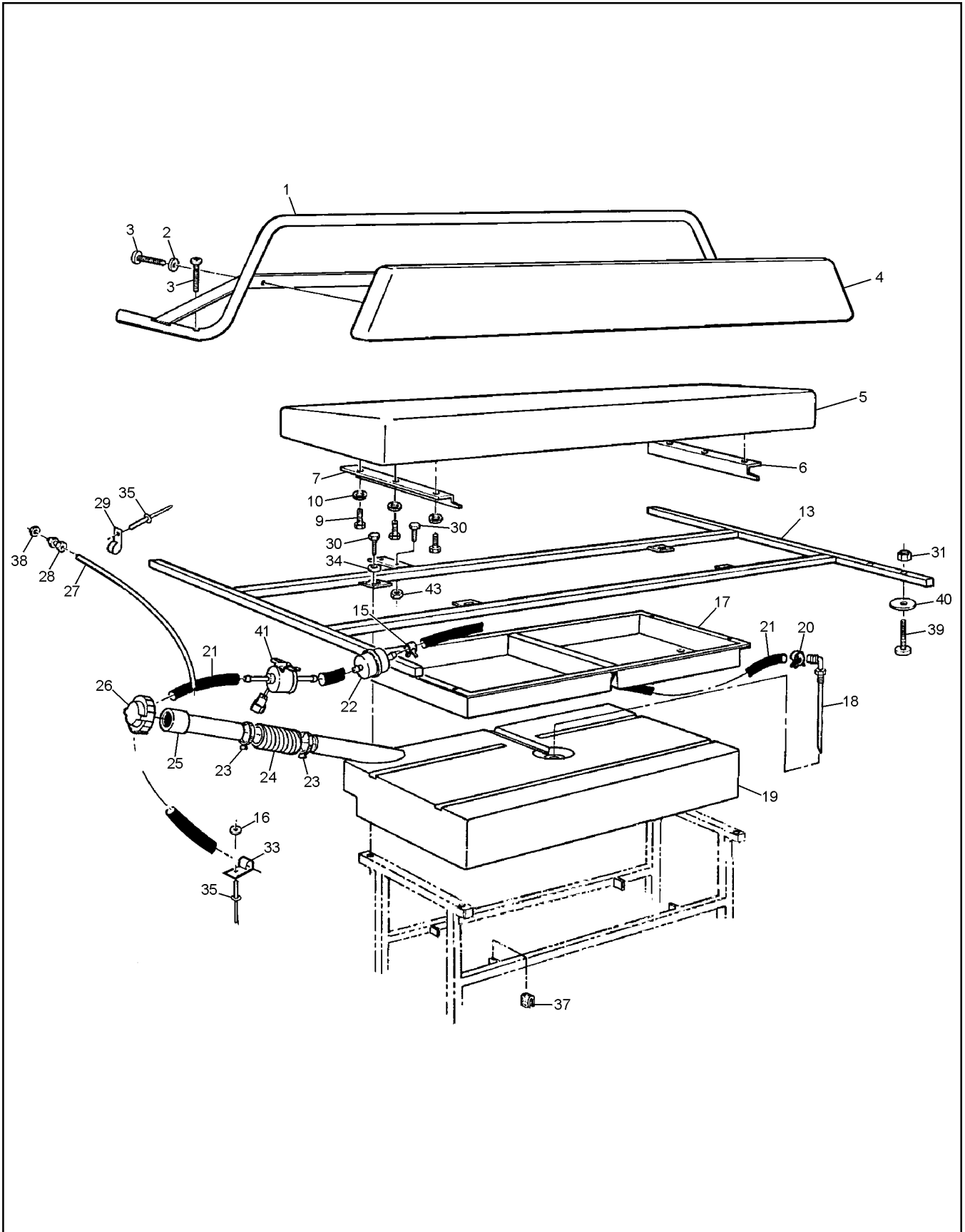
Ref.	Qty.	Part #	Description
1	1	801-98	Body & Hood, Upper - Conq, (spec. colour) (incl. Ref 5,11,12,13,14,15)
2	1	801-48BL	Body, Lower - Conq, (spec. colour)
3	1	127-28	Plug, Nylon - Black
4	1	801-05	Bumper, Vinyl - 8x8
5	1	602-34	Hood Kit - Conq, (spec. colour) (incl. 7,8,9,10,81,82,83,84)
7	1	602-38	Clip, Hood
8	23	120-13	Rivet 3/16x5/8 - Black
8b	63	120-09	Rivet 3/16x1 - Black
9	2	126-10	Wing Stud
10	2	126-09	Grommet, Alum.
11	1	602-24	Frame Asm, Hood
12	2	120-15	Rivet 1/8x7/16
13	1	601-69	Spring Plate
14	1	126-11	Spring
15	2	103-72	Screw, IHWH T/C Slot 1/4-20x3/4
16	1	602-29	Brace, Dash
17	1	601-08	Trim, Vinyl - 84"
18	2	601-09	Trim, Vinyl - 28"
19	4	112-04	HHCS 1/4-20x3/4 Gr2 Zc
20	16	108-25	Washer .31x.75x.06 Zc
21	4	108-03	Lockwasher 1/4
22	4	801-41	Washer, Seat
23	4	126-79	Bumper, Plastic - Black
25	8	103-48	T/S Pan HD PHIL #10x5/8
26	26	120-24	Rivet, 3/32x3/8 Alum.(all plates)
27	4	117-44	T-Nut 1/4-20 Zinc
28	2	127-27	Nameplate - Conquest
28b	1	601-44	Nameplate - Argo
29	1	801-03	Seat, Rear LH - 8x8
30	1	801-02	Seat, Rear RH - 8x8
31	1	609-33	Firewall - Hydraulic Brakes
32	1	803-02	Floor Pan - Front - (spec. colour)
33	1	803-03	Floor Pan - Rear - (spec. colour)
36	57	120-04	Washer .19x.50x.08 Zinc

Ref.	Qty.	Part #	Description
37	1	126-60	Vinyl Strip 1/2"x1/4"x37.5'
38	4	120-05	Washer .19x.50x.04 Zc
39	6	100-16	Clip, Hitch Pin 1.625 Zc
40	2	100-18	Plug, Drain 5/8"x13/32"
41	32	120-28	Collar, Magna Grip
43	32	120-27	Pin, Magna Grip
44	1	863-11	Skid Plate, 8x8 - Black
45	1	126-88	Bumper, Rubber
47	4	103-61	HHCS 3/8-24x1.5 Gr5 Zc
48	4	117-24	Locknut, Nylon 3/8-24 Zc
49	1	616-16	Hitch Assembly
50	1		Vehicle ID Plate, Alum.
51	1	126-65	Plate, Shifting
52	1	127-97	Plate, Caution - Keyswitch
53	1	126-67	Plate, Floor Pan
54	1	126-68	Plate, Operation
55	1	126-69	Plate, Fuel
56	1	127-76	Plate, Cap. Land/Water
58	1		U.S. Plate, Non-U.S. Argos only
61	1	125-41	Handle, Dash (incl. 62)
62	2		Plug Cap, (avail. only with 61)
63	3	117-10	Locknut, Nylon #10-24 Zc
65	3	103-25	PHMS #10-24x3/4 Zinc
66	1	125-84	Grommet, Rubber
67	2	127-01	Reflector, Red
69	1	807-73	Screen, Intake - Conquest
70	1	807-74	Screen, Exhaust - Conquest
72	28	120-11	Rivet 5/32 x 9/16 - Black
73	1	117-15	Nut, Fin Hex 3/8-16 Zinc
74	1	602-27	Support, Adjustable
75	1	103-89	C/Bolt 3/8-16x3/4 Gr2 Zinc
76	1	108-06	Lockwasher 3/8
78	1	616-19	Tube, Hitch
79	1	104-13	Pin, Top Link
80	1	104-11	Pin, Lynch
81	2	127-45A	Pin, Hinge
82	2	127-45B	Knuckle, Hinge
83	8	103-47	HHCS 10-24x1/2
84	8	108-59	Lockwasher #10 Int. Tooth Zinc



Ref.	Qty.	Part #	Description
1	1	806-00	Frame Asm - 8x8
2	2	605-69	Gasket - Bearing Extension
3	80	117-29	Locknut, Nylon 3/8-16 Zinc
4	16	108-46	Washer .40x1.37x.12 Hi-Carbon
5	12	101-35	Bearing, Ball - 1.25
5a	8	101-41	Bearing, Ball - 1.0
6	82	108-06	Lockwasher 3/8
7	30	103-88	C/Bolt 3/8-16x1.0 Gr5 Zc
8	12	605-99	Gasket, Flange - Inner
9	12	605-89	Gasket, Flange - Outer
10a	16	605-63	Flange - 4 hole
10b	12	101-20	Flange, Greasable - 4 hole
11	8	102-14	Seal, Oil 1.25x1.75x0.188
12	8	102-15	Seal, Oil 1.25x1.874x0.25
13	8	605-97	Flange Asm, Outer (incl. Refs. 11 & 12)
14	16	112-39	C/Bolt 3/8-16x1.75 Gr5 Zc
15	16	103-67	C/Bolt 3/8-16 x 6 Gr2 Zc
16	4	810-36	Bearing Extension (uses Refs. 17 & 18)
17	24	108-34	Washer 7/16 SAE Zinc
18	24	103-81	HHCS 7/16-20x2.5 Gr5 Zc
19	5x8	103-80	Stud, Wheel 7/16-20x1.125 #B271
20	4	810-73	Axle Asm - Front/Rear (incl. Ref. 19)
21	4	810-75	Axle Asm - Mid (incl. Ref. 19)
22	2	810-32	Shaft, Idler - 11T
23	1	604-84	Frame Asm, Battery
24	6	810-28	Sprocket, Double - 24T
25	8	606-34	Sprocket, S60x19T
26	10	112-03	SHSS 5/16-18x3/8 1/2 DOG, PL
27	2	803-17	Chain, Idler RC50-2x40P (incl. Ref. 53)
28	4	117-64	Insert, 1/4-20
29	12	112-31	HHCS 3/8-16x1.0 2B Gr8 Zc
30	2	112-14	HHCS 3/8-16x.75 Gr5 Zc
31	1	108-15	Washer 3/8 SAE Zc
32	2	103-82	HHCS 3/8-16x1.5 Gr5 Zc
33	4	112-61	C/Bolt 3/8-16 x 1.25 Gr5 Zc
34	2	120-15	Rivet 1/8x7/16
35	1	126-11	Spring
36		127-80	Link, Half - RC60 - 1 (opt.)
43	2	603-17	Chain, RC50-2 x 42P-Front (incl. Ref. 53)
44	2	603-20	Chain, RC50-2 x 70P-Mid (incl. Ref. 53)
45	4	603-93	Chain, RC60-1 x 84P-Rear (incl. Ref. 54)
46	5x8	117-35	Nut, Wheel 7/16-20 Zc
47	8	125-26	Valve, Tire
48	8	125-13C	Rim - Charcoal
49	8	126-96	Tire, Goodyear Runamuk 22x10-8
52	6	100-01	Pin, Cotter 1/8x1.50 Zc
53	1x6	100-96	Con. Link, RC50-2 H.D.
54	1x4	603-84	Con. Link, RC60-1 H.D.
55	6	127-65	Spring Torsion - 1.16x0.35
56	6	606-39	Slider Block -1/2" Shaft
57	6	606-35	Tensioner Asm, Chain
58	6	127-64	Spring, Torsion - .76x1.9
59	2	606-41	Slide, Chain - 2"
60	4	606-42	Slide, Chain - 1.25"
61		603-95	Spring Clip - RC 50 Closed
62		603-96	Spring Clip - RC 60 Closed

8.0 Fuel System & Seat Assembly Conquest Parts Manual

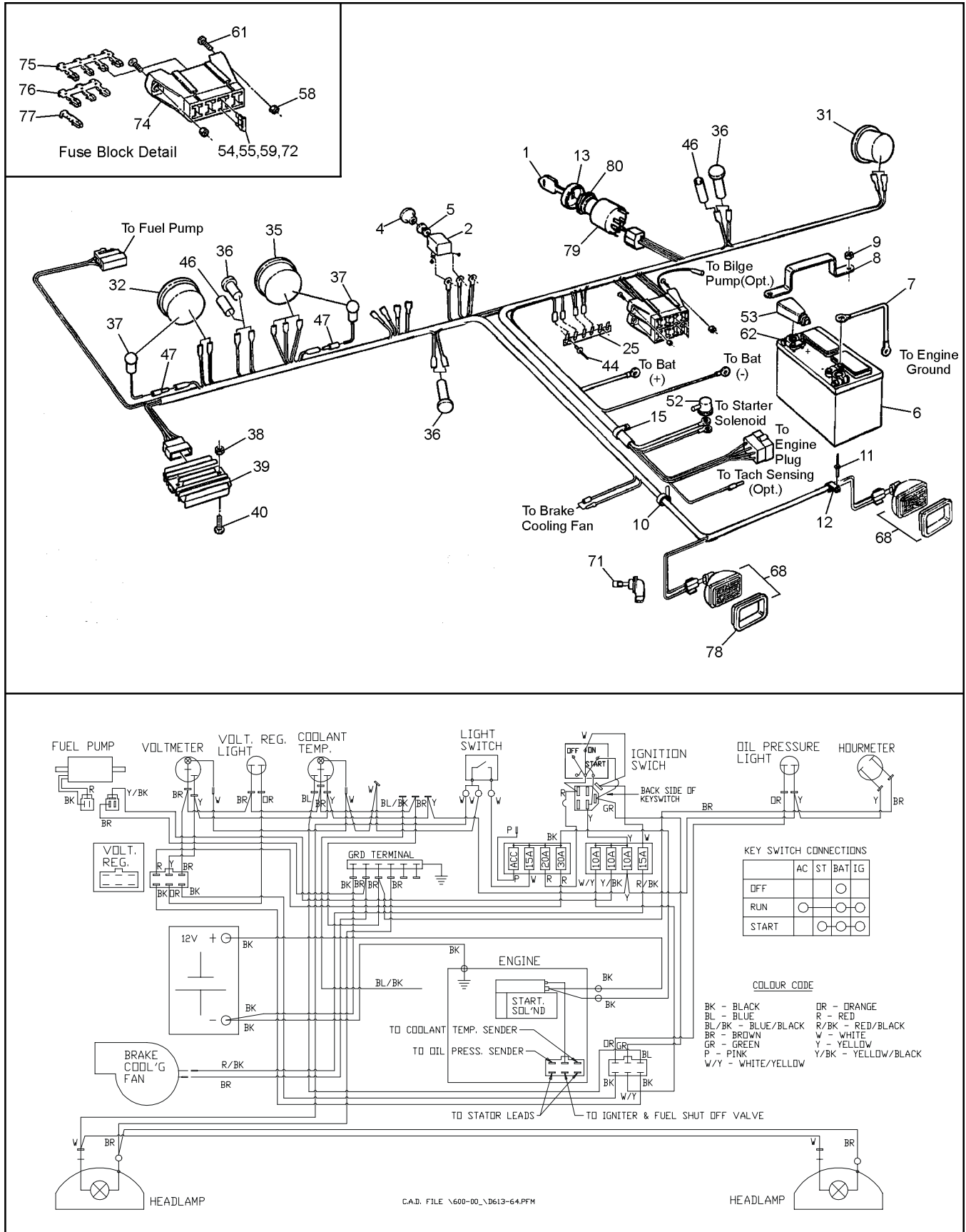


Conquest Parts Manual 8.0 Fuel System & Seat Assembly

Ref.	Qty.	Part #	Description
1	1	803-50	Handrail Assembly
2	4	108-03	Lockwasher 1/4
3	6	112-41	PHMS, PHIL 1/4-20x1.25 Zinc
4	1	608-39	Back Pad Asm
5	1	608-43	Seat, Bench
6	1	608-30	Angle, Left
7	1	608-31	Angle, Right
9	6	112-04	HHCS 1/4-20x3/4 Gr2 Zc
10	6	108-03	Lockwasher 1/4
13	1	804-17	Frame Asm, Seat
15	2	112-78	Clamp, Hose, 9/16" - Black
16	2	120-04	Washer .19x.50x.08 Zinc
17	1	608-32	Tool Box
18	1	608-28	Pickup Assembly, Fuel (See Ref. 19)
19	1	608-24	Tank, Fuel - 32 litre (incl. Ref. 18)
20	4	112-79	Clamp, Hose, 1/2" - Black
21	1	608-42	Fuel Hose - 110"
22	1	125-64	Fuel Filter
23	2	100-12	Clamp, Gear 2.25" HF-36
24	1	125-94	Hose, Filler
25	1	126-47	Neck Asm, Fuel
26	1	126-46	Cap, Fuel
27	1	127-21	Hose, Vent - 86"
28	1	126-50	Male Connector, 1/4"
29	5	126-94	Clamp, Nylon Wire - 1/4"ID
30	6	112-04	HHCS 1/4-20x3/4 Gr2 Zc
31	12	117-10	Locknut, Nylon #10-24 Zc
33	3	126-93	Clamp, Nylon Wire - 1/2"ID
34	4	108-08	Washer .28x.62x.04 Zinc
35	8	120-09	Rivet 3/16x1 - Black
37	4	702-06	Foam Cushion
38	1	117-54	Nut, Locking PAL 1/2-20 Zc
39	12	112-07	RHMS 10-24x1.25 Zc
40	12	108-42	Washer .21x1.0x.06 Zinc
41	1	49040-2065	Pump, Fuel
43	2	117-27	Locknut, Nylon 1/4-20 Zc

9.0 Electrical System

Conquest Parts Manual



Ref.	Qty.	Part #	Description
1	2	127-108	Key, Molded
2	1	100-62	Switch, Light
3	1	613-64	Wire Harness - Conquest (incl. Fuse Holders)
4	1	126-76	Knob, Light
5	1	108-55	Lockwasher 7/16 External Tooth
6	1	127-54	Battery, Exide 45-50
7	1	613-14	Wire, Ground - 14"
8	1	604-52	Bracket, Battery Retaining
9	2	117-21	Locknut, Nylon 5/16-18 Zc
10	8	100-64	Tie Wrap, 5.5" - Black
11	6	120-13	Rivet 3/16x5/8 - Black
11a	10	120-09	Rivet 3/16x1 - Black
12	16	126-93	Clamp, Nylon Wire-1/2" ID
13	1	127-107	Cover, Nut
15	5	127-24	Clamp, Nylon - 1" ID
25	1	613-37	Terminal Strip, Ground
31	1	632-15	Hourmeter
32	1	633-10	Voltmeter
35	1	634-22	Gauge, Water Temperature
36	3	634-08	Light, Indicator
37	2	634-10	Light Kit, #06215-00
38	2	117-27	Locknut, Nylon 1/4-20 Zc
39	1	21066-2070	Regulator, Voltage
40	2	103-63	PHMS, PHIL 1/4-20x1.0 Zc
44	2	120-15	Rivet 1/8x7/16
46	2	118-48	Heat Shrink, 2 x 1/2
47	2	118-02	Terminal, Male #76-1251
52	1	613-46	Terminal Insulator (2 ga.)
53	1	127-55	Cap, Battery Terminal
54	1	118-53	Fuse, 20A 2 prong (AT020)
55	2	118-49	Fuse, 15A 2 prong (AT015)
58	4	117-10	Locknut, Nylon #10-24 Zc
59	3	118-52	Fuse, 10A 2 prong (AT010)
61	4	103-25	PHMS #10-24x3/4 Zc
62	2	127-56	Terminal, Battery Post
68	2	613-62	Headlamp Asm (incl. Refs. 71 & 78)
71	2	127-46	Bulb, Headlight - Halogen
72	1	118-51	Fuse, 30A 2 prong (AT030)
74	2	118-60	Block - Fuse, 8 position (4 fuse)
75	1	118-61	Terminal - Fuse, quad
76	1	118-63	Terminal - Fuse, triple
77	9	118-62	Terminal - Fuse, single
78	2	613-62RB	Bezel, Rubber Headlamp
79	1	127-105	Switch, Ignition
80	1	127-106	Nut, flanged, plastic

ARGO Products Manufactured by:

Ontario Drive & Gear Limited

P.O. Box 280, 220 Bergey Court
New Hamburg, Ontario
Canada N0B 2G0
Phone: (519) 662-2840
Fax: (519) 662-2421

ODG *Dedicated to quality and performance*



ARGO

CONQUEST PARTS MANUAL

**Model Nos. V899-37 &
V899-38**

From Serial # CB17857

Foreword

ODG has prepared this parts manual for the CONQUEST model to assist both qualified mechanics and vehicle owners in ordering correct, quality replacement ARGO parts.

Proper and regular service, and replacing old, worn or broken parts with the correct ARGO replacement parts, are both essential to prolonging the life of the ARGO. Please refer to this parts manual before ordering any replacement part.

All information contained in this CONQUEST Parts Manual is based on the latest product specification available at time of printing. If your CONQUEST differs from the specifications contained in this manual, contact Ontario Drive & Gear Limited for information.

ODG reserves the right to alter specifications on the CONQUEST model at any time, without obligation or prior notification.

Reproduction of this CONQUEST Parts Manual, in whole or in part, is prohibited without prior written permission from Ontario Drive & Gear Limited.

Model Identification

CONQUEST - Model Nos. V899-37 and V899-38

Explanation of Parts Manual Format

- Ref** - Reference number between assembly diagram and component parts list
- Part No.** - Argo replacement part number for identification and re-ordering
- Description** - Part description for identification and re-ordering
- Qty** - Indicates the quantity of a part used in an Assembly

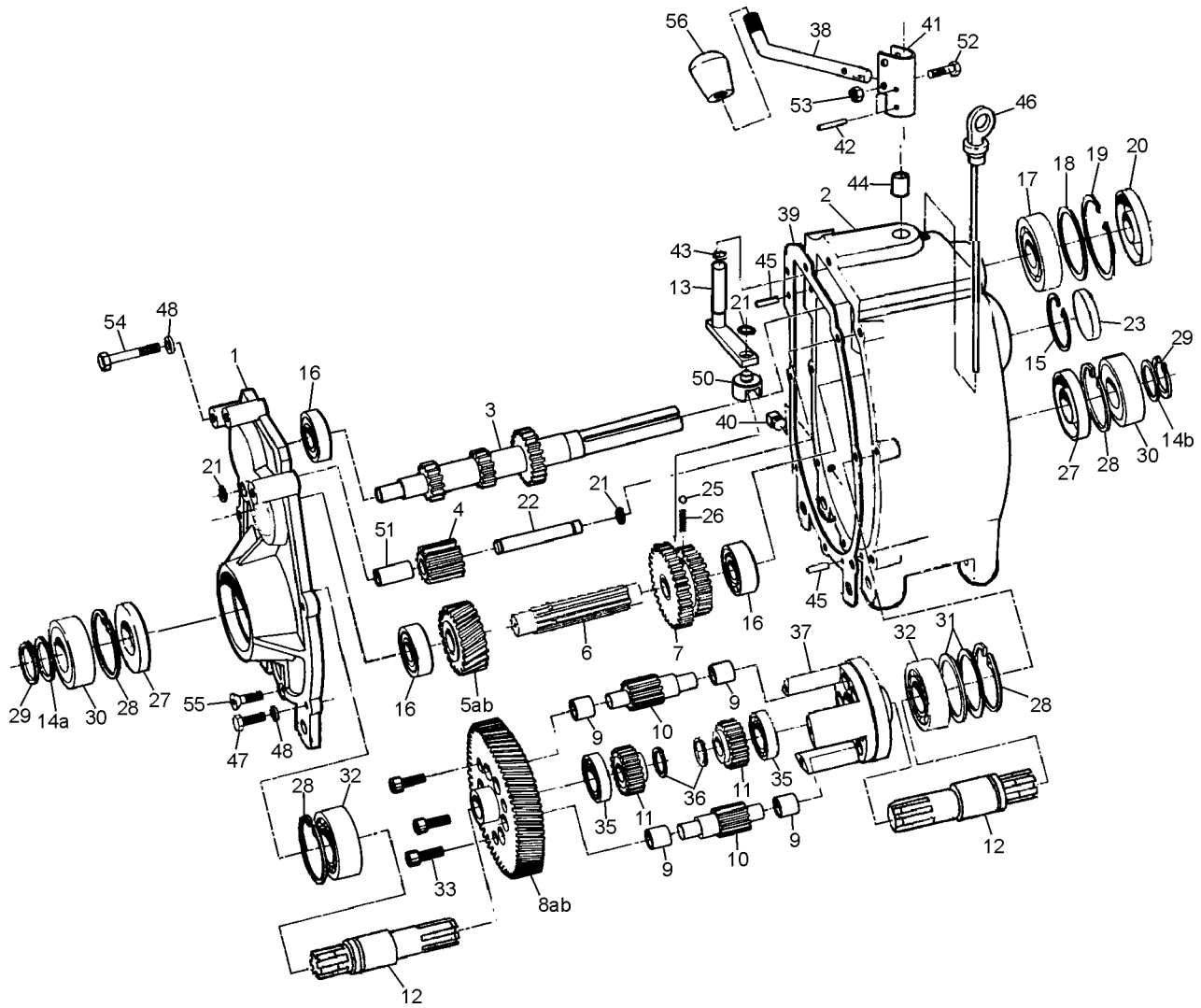


Using the Parts Manual

1. Find the major vehicle assembly in the Table of Contents on this page, and turn to that section.
2. Locate the part in the illustration that you wish to order.
3. Refer to the parts list in that section.
4. Find the correct part number (Part No.), part description (Description) and correct quantity (Qty).
5. Use *only* this information to order ARGO replacement parts. *DO NOT* attempt to order a replacement part by reference number or page number.

Table of Contents

Foreword	i
Model Identification	i
Using the Parts Manual	ii
1.0 Transmission	1
2.0 Intake and Exhaust System	3
3.0 Clutch System	4
4.0 Power Pack Assembly	5
5.0 Brake System - Hydraulic	7
6.0 Vehicle Body & Firewall	9
7.0 Frame & Drive System	11
8.0 Fuel System & Seat Assembly	13
9.0 Electrical System	15



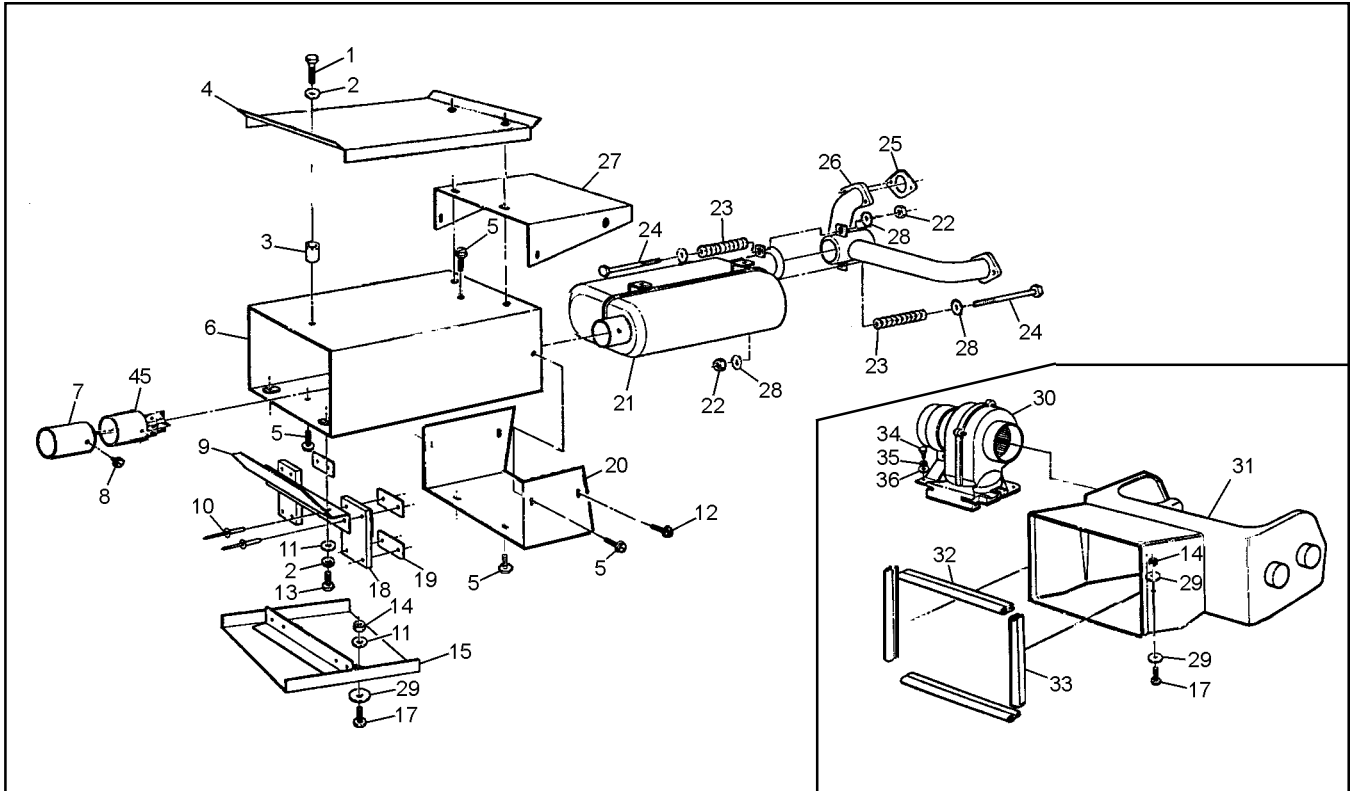
Conquest Parts Manual

1.0 Transmission

Ref.	Qty.	Part #	Description
		610-18M	Transmission Asm - M, does not include Refs 38, 52, 53 & 56, uses Refs 5a & 8a
		610-18G	Transmission Asm - G, does not include Refs 38, 52, 53 & 56, uses Refs 5b & 8b
1	1	34-68	Cover, Transmission
2	1	34-99	Housing, Transmission
3	1	34-21	Shaft, Input - 13/21T
4	1	34-16A	Gear, Idler - 13T (incl. Ref 51)
5a	1	34-95	Gear, Helical - 24T - M
5b	1	34-97	Gear, Helical - 21T - G
6	1	34-94	Shaft, Spline
7	1	34-91	Gear, Double - 26/33T
8a	1	34-22	Gear Plate - 73T - M
8b	1	34-45	Gear Plate - 76T - G
9	12	105-03	Bushing, Oilite - 1/2 x 3/4
10	6	34-13	Gear, Planet - 12T
11	2	34-14	Gear, Sun - 21T
12	2	34-98	Shaft, Output
13	1	34-65	Shifter Asm.
14a	1	114-04	Washer, Shim .040 Thk
14b	1	114-05	Washer, Shim .020 Thk
15	1	106-01	Retaining Ring
16	3	101-01	Bearing, Ball 6204Z-C3
17	1	101-16	Bearing, Ball 6206-C3
18	as req.	114-02	Washer, Shim 2.06x2.42x.02
19	1	106-05	Retaining Ring
20	1	102-05	Seal, Oil WBS 30x62x10
21	3	107-05	Retaining Ring
22	1	34-11	Pin, Dowel 1/2 x 3.50
23	1	31-07	Plug Plate
25	1	109-05	Ball, Steel 6mm 62-67 Rc
26	1	34-32	Spring, Compression - 7/32x.50
27	2	102-03	Seal, Oil WBS 30x72x10
28	4	106-03	Retaining Ring
29	2	107-02	Retaining Ring
30	2	101-05	Bearing, Ball 6306-2NSE C3
31	2	114-01	Washer, Shim 2.25x2.81x.02
32	2	101-03	Bearing, Ball 6207-C3
33	3	103-04	SHCS 5/16-18x1.0 Bare
35	2	101-15	Bearing, Ball 6005-C3
36	2	107-04	Retaining Ring
37	1	34-08	Cage
38	1	610-77	Lever, Shift
39	1	34-47	Gasket, Cover - 1/64" Thk
40	1	103-02	Plug, Magnetic 3/8-18 NPT
41	1	34-86	Holder, Shift Lever
42	2	111-01	Pin, Spring 5/32x1.0
43	1	113-01	O-Ring
44	1	105-02	Bushing, Oilite - 1/2 x 1.0
45	2	104-03	Pin, Dowel 1/4 x 7/8
46	1	34-77	Dipstick, with breather
47	4	103-06	HHCS 5/16-18x1.0 GR5 Zc
48	7	108-05	Lockwasher 5/16
50	1	34-63	Shift Yoke
51	1	105-05	Bushing, Oilite - 1/2 x 1.5 (in Ref. 4)
52	1	103-97	HHCS 1/4-20x1.25 GR5 Zc
53	1	117-27	Locknut, Nylon 1/4-20 Zc
54			See Section 4.0 Power Pack Assembly
55	1	103-95	FHSC 5/16-18x1.0 GR8 Zc
56	1	126-38	Knob, Shift

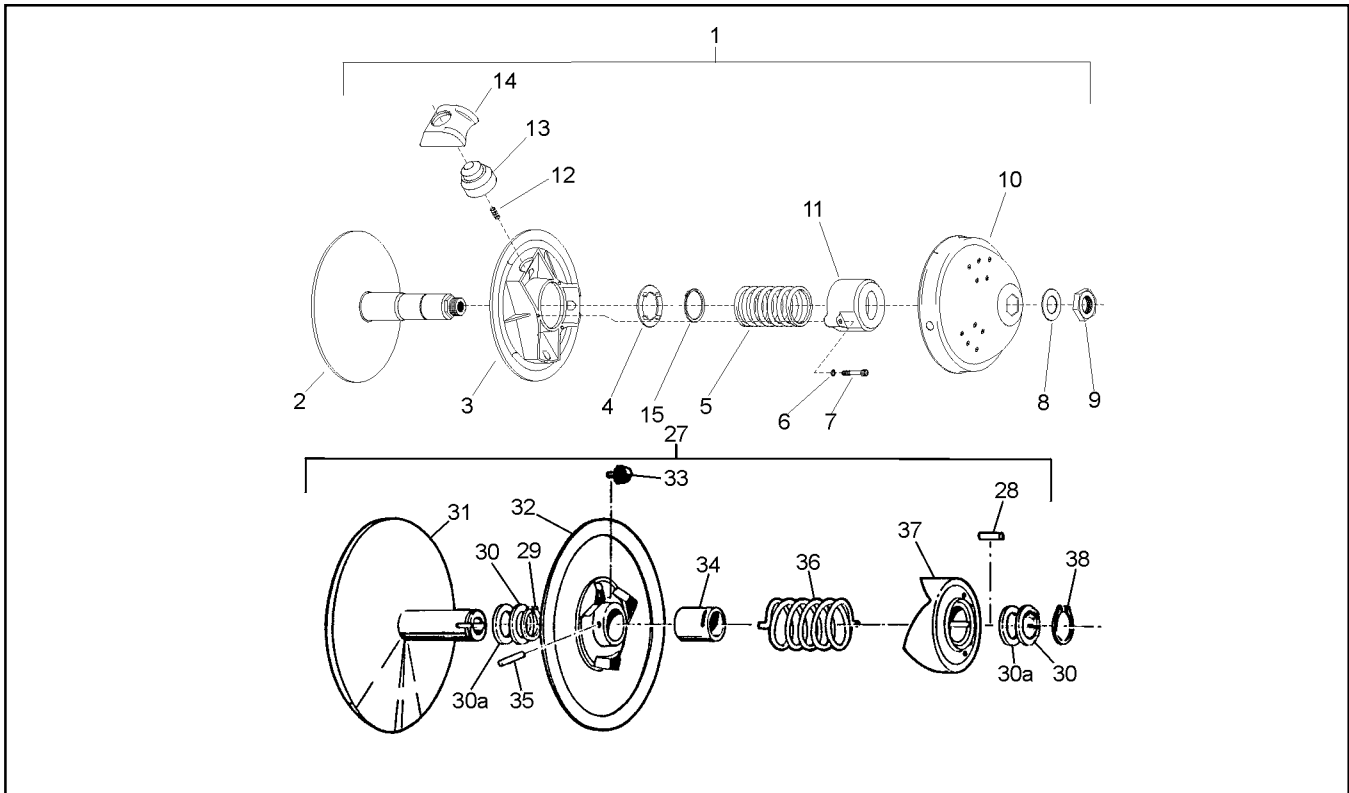
2.0 Intake and Exhaust System

Conquest Parts Manual

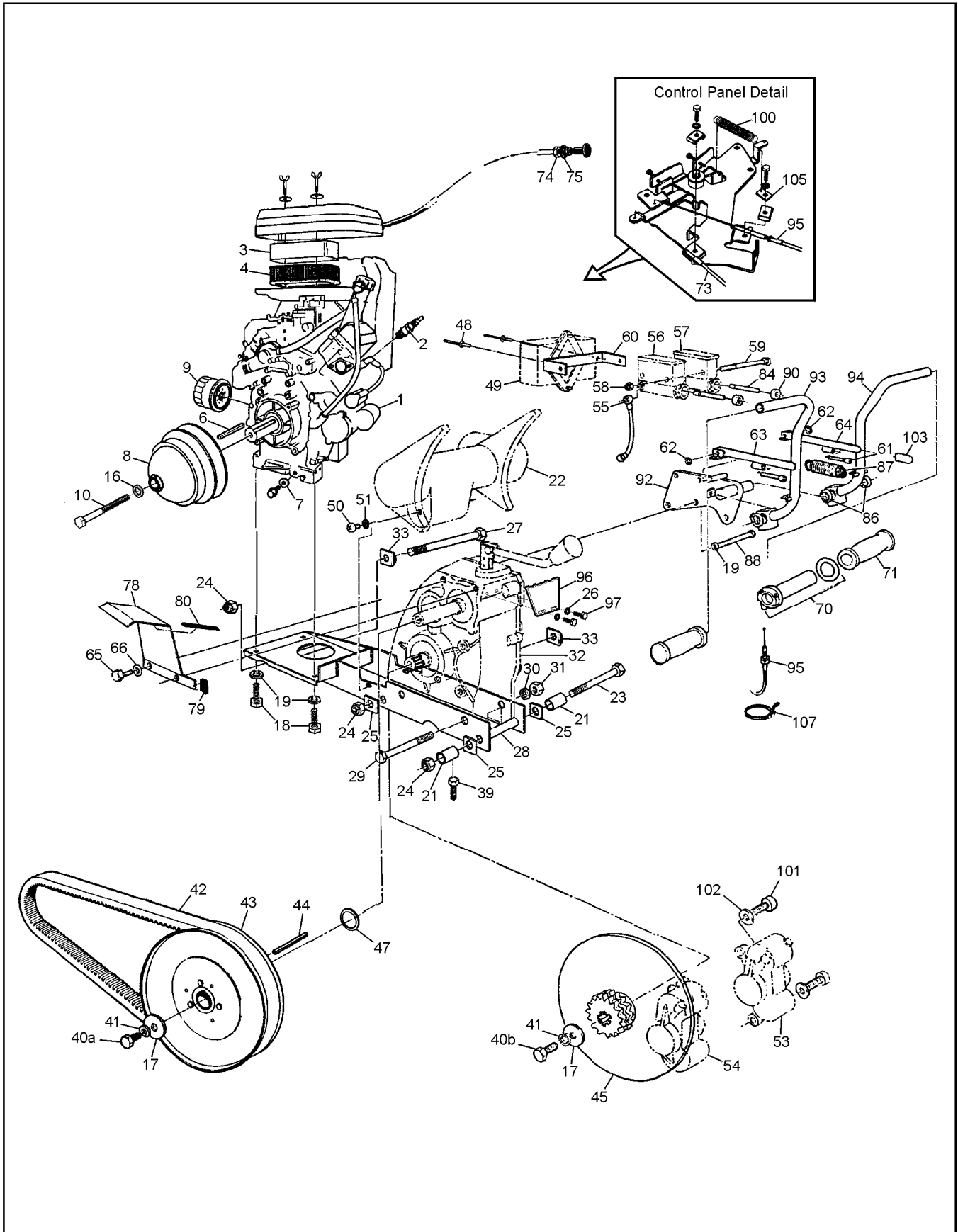


Ref.	Qty.	Part #	Description
1	3	103-97	HHCS 1/4-20x1.25 Gr5 Zc
2	5	108-03	Lockwasher 1/4
3	3	807-71	Spacer
4	1	807-72	Shield, Heat
5	7	112-19	Screw IHWH T/C 1/4-20x1/2
6	1	807-41	Shield Asm, Muffler
7	1	807-75	Pipe, Muffler Outlet
8	1	112-43	Screw, IHWH #8x3/8
9	1	807-43	Support, Upper
10	8	120-09	Rivet 3/16x1 - Black
11	4	108-08	Washer .28x.62x.04 Zinc
12	2	103-48	T/S Pan Hd Phil #10 x 5/8
13	2	112-04	HHCS 1/4-20x3/4 Gr2 Zc
14	4	117-27	Locknut, Nylon 1/4-20 Zc
15	1	807-49	Support, Lower
17	4	103-63	PHMS, PHIL 1/4-20x1.0 Zc
18	2	126-07	Support, Flex
19	4	807-69	Washer, Special
20	1	807-70	Cover, Lower
21	1	807-42	Muffler Asm - Conquest

Ref.	Qty.	Part #	Description
22	2	117-25	Nut, Conelock 5/16-18
23	2	100-10	Spring, Compression
24	2	112-18	SHCS 5/16-18x2.25
25	2	11060-2079	Gasket, Muffler
26	1	807-66	Manifold Asm
27	1	807-38	Cover, Manifold
28	4	108-24	Washer .34x.70x.06 Zc
29	6	108-01	Washer, Fender 1/4 BSx1.25OD
30			See Section 5.0 Brake System
31	1	807-76	Duct, Routed Intake
32	2	807-77	Seal, Radiator - 11.5" lg.
33	2	807-78	Seal, Radiator - 9.75" lg.
34	4	103-47	HHCS, #10-24x1/2
35	4	120-05	Washer, .19x.50x.04
36	4	108-59	Lockwasher #10 Int.Tooth
45	1	807-67	Spark Arrester



Ref.	Qty.	Part #	Description
1	1	127-71	Clutch, Driver - Keyed (incl. Refs 2 to 14)
2	1	0405-0044	Pulley, Half - Fixed
3	1	0410-0006	Pulley, Half - Sliding
4	1	V09	Plate, Spring Guide
5	1	V10-48-103-18	Spring
6	3	420-2453-700	Lockwasher
7	3	222-9640-66	SHCS
8	1	0080-0153	Washer, Zc
9	1	0080-0100	Nut
10	1	0115-0003(A)	Cap
11	1	0440-0001	Cover, Spring
12	3	C24-L1	Spring, Anti-noise
13	3	0135-2045	Weight, 266g
14	3	0130-3002	Block, Red
15	1	V08C	Retaining Ring
27	1	126-24	Clutch, Driven - Model "B" (incl. Refs 28 to 37)
28	1	ASK-5	Key 1/4x1/4x5/8
29	1	ASR-6	Retaining Ring
30	as req	ASA-1-S	Spacer .025" Thick
30a	as req	ASA-1	Spacer .050" Thick
31	1	AFK25.4-250OD01	Pulley, Half - Fixed
32	1	AMC-2-250OD01	Pulley, Half -Sliding incl. Refs. 33, 34 & 35
33	3	ANS-2-T	Shoe, Cam
34	1	AMB-2	Bushing, Bronze
35	1	111-01	Pin, Spring 5/32x1.0
36	1	ACS-3-188	Spring, Blue
37	1	AFC-4-C3D4	Cam
38	1	371-9031-0	Retaining Ring



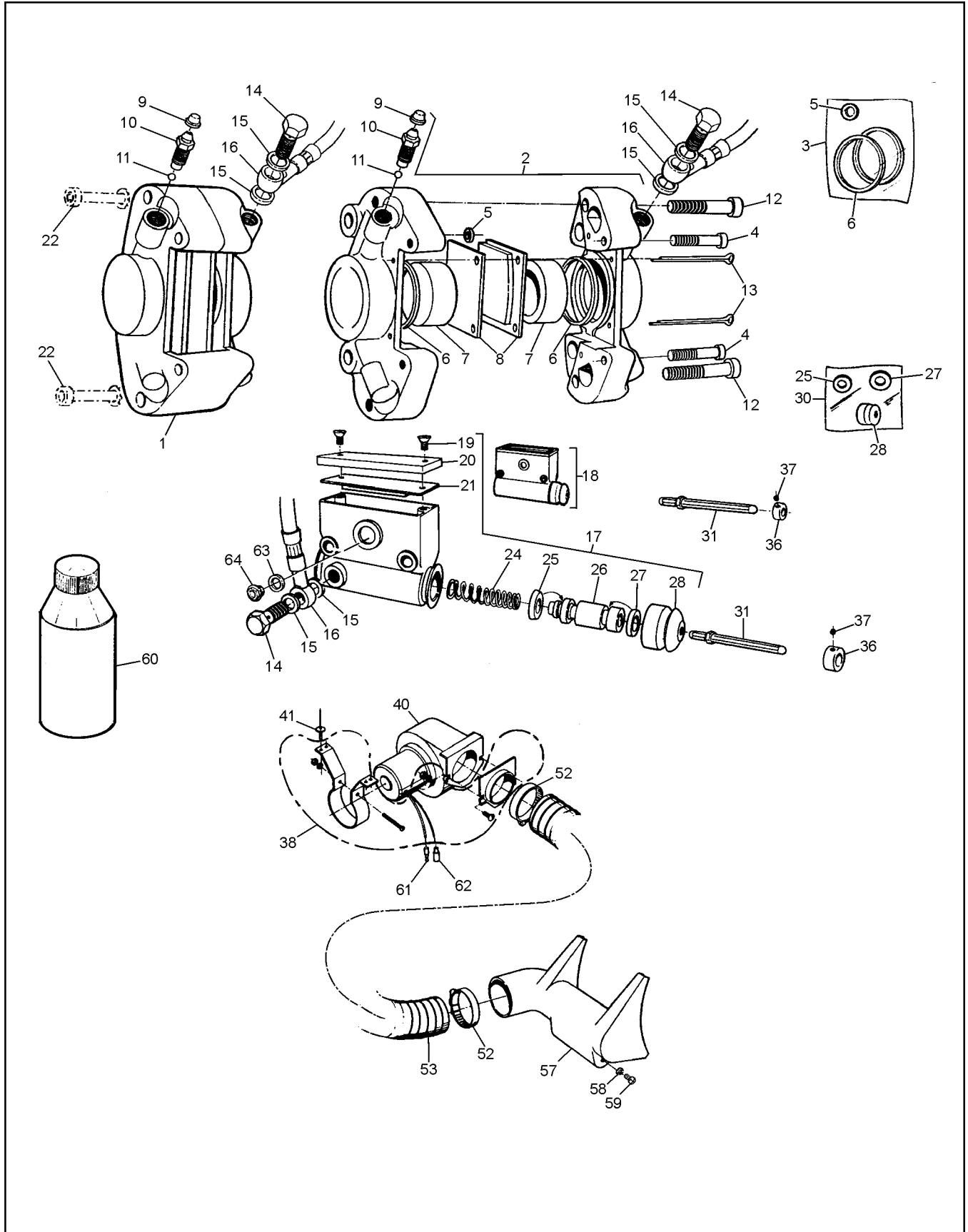
Conquest Parts Manual

4.0 Power Pack Assembly

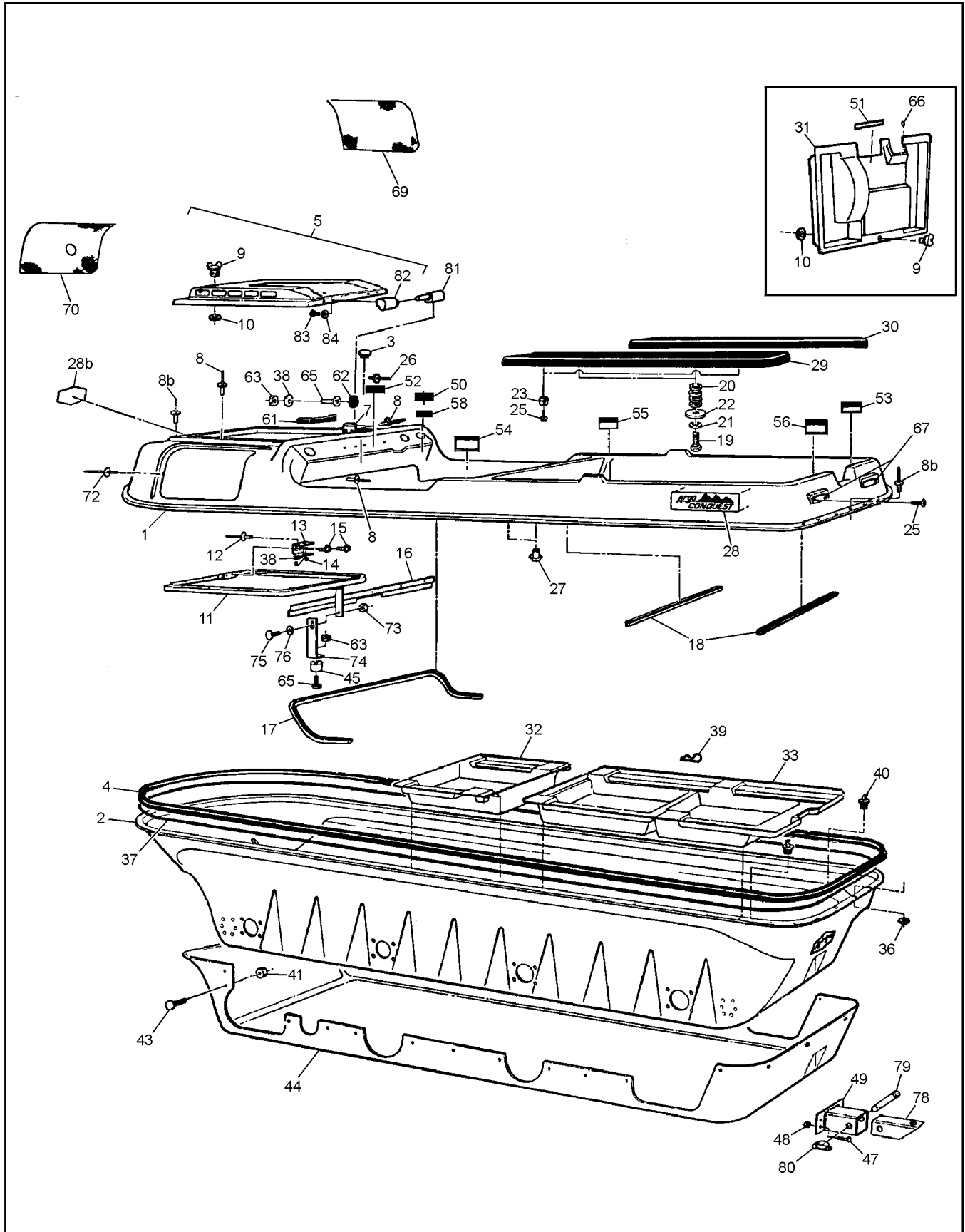
Ref.	Qty.	Part #	Description	Ref.	Qty.	Part #	Description
1	1	FD620D-HS12	Engine - Kawasaki, (incl. Refs. 2, 3, 4, 7, 9, 49)	47	as req	108-36	Washer 1.03x1.37x.06 Zinc
2a	2	92070-2072	Sparkplug, BMR4A (for prior to S/N CB17857)	48	2	120-13	Rivet 3/16x5/8 - Black
2b	2	92070-2112	Sparkplug, BPR4ES (from S/N CB17857)	49	1	21119-2157	Igniter
3	1	11013-2114	Element, Air Filter - Foam	50 to 57			See Section 5.0 Brake System
4	1	11013-2139	Element, Air Filter - Paper	58	2	117-27	Locknut, Nylon 1/4-20 Zc
6	1	110-13	Key 1/4x1/4x2.25	59	2	103-66	HHCS 1/4-20x4.0 Gr5 Zc
7	1	11009-2566	Gasket, Drain Plug	60	1	610-75	Bracket, Igniter
8			See Section 3.0 Clutch System	61	2	103-69	SHCS 1/4-20x1.5 Zc
9	1	127-68	Filter, Oil	62	2	113-02	O-Ring
10	1	112-15	SHCS M10x1,5x90mm	63	1	810-20	Lever Asm, Brake - LH
16	1	108-54	Lockwasher, Hi-Collar - M10	64	1	810-21	Lever Asm, Brake - RH
17	3	108-18	Washer .40x1.37x.12 Zc	65	2	103-17	HHCS 3/8-16x1.0 Gr5 Zc
18	4	112-30	SHCS M8x1,25x20mm Zc	66	2	108-26	Washer 3/8 Zc
19	7	108-05	Lockwasher 5/16 Zc	70	1	127-81	Throttle Twist Grip
21	2	811-14	Spacer	71	2	127-35	Grip, Molded
22			See Section 5.0 Brake System	73	1	812-29	Cable Asm, Choke - Conq.
23	1	112-57	HHCS 5/8-11x10.0 Gr5 Zc	74	1	117-68	Nut, Jam 3/8-24 UNF Zinc
24	3	117-09	Locknut, Nylon 5/8-11 Zc	75	1	108-32	Lockwasher 3/8 Int. Tooth
25	3	811-09	Washer, Square - .64 ID	78	1	603-29	Guard, Belt Protect
26	2	108-24	Washer 5/16 SAE Zinc	79	1	601-92	Vinyl Trim - 1.5"
27	2	112-58	HHCS 5/8-11x7.5 Gr5 Zc	80	1	601-93	Vinyl Trim - 4.25"
28	1	811-30	Frame, Powerpack - Conq.	84			See Section 5.0 Brake System
29	2	103-20	HHCS 1/2-13x6.5 Gr5 Zc	86	4	106-07	Retaining Ring
30	2	108-07	Lockwasher 1/2	87	2	127-33	Spring, Extension
31	2	117-06	Nut, Fin Hex 1/2-13 Zc	88	3	103-55	HHCS 5/16-18x2.75 Gr5 Zc
32			See Section 1.0 Transmission	90			See Section 5.0 Brake System
33	2	811-15	Washer, Square Lock .64ID	92	1	812-01	Bracket Asm, Steering
39	2	103-53	HHCS 3/8-16x3.0 Gr5 Full Thread	93	1	812-27	Lever Asm, Steering - LH
40a	1	103-34	HHCS 3/8-16x1.25 Gr5 Zc	94	1	812-26	Lever Asm, Steering - RH
40b	2	103-18	HHCS 3/8-24x1.25 Gr5 Zc	95	1	612-101	Cable Asm, Throttle
41	3	108-06	Lockwasher 3/8 Split Ring Zc	96	1	610-81	Shift Gate, Transmission
42	1	125-56	Drive Belt	97	2	112-01	HHCS 5/16-8x3/4 Gr5 Zn
43			See Section 3.0 Clutch System	100	1	127-11	Spring, Extension
44	1	110-09	Key 1/4x1/4x3.0	101	4	103-41	SHCS 3/8-16x1.25 Zc
45	2	610-80	Brake Disc #50-2x13T	102	4	108-23	Washer 3/8 SAE Gr8 - Dich.
				103	2	126-89	Cap, Vinyl - Black
				105	1	601-86	Clip, Retainer
				107	1	100-64	Tie Wrap - 5.5" - Black

5.0 Brake System - Hydraulic

Conquest Parts Manual



Ref.	Qty.	Part #	Description
1	1	166-01RM	Caliper, Brake - L w/o Pads (incl. Refs 5, 6, 7, 9 - 12)
2	1	166-02RM	Caliper, Brake - R w/o Pads (incl. Refs 5, 6, 7, 9 - 12)
3	2	161-01	O-Ring Kit, Caliper (incl. Refs 5 & 6)
4	2	160-40	SHCS M8x1,25x40 Zc
5	1		Seal, Rubber - 5mm (see Ref 3)
6	2		Seal, Piston - 41mm (see Ref 3)
7	2x2	168-05	Piston 41mm
8	1	170-02	Brake Pad Set (4) - Metallic (Asbestos-free)
9	1x2	168-20	Plug, Rubber
10	1x2	168-03	Screw, Bleeding M10x1,0
11	1x2	109-03	Ball, Steel - 7/32 Dia.
12	2x2	160-41	SHCS M10x1,5x50mm Zc
13	2x2	168-06	Pin, Cotter 3,2x50mm
14	4	160-44	Bolt, Banjo-M10x1,0x21,0 Zc
15	8	160-01	Washer, Copper-1,5x10,0x14,0
16	1x2	163-01	Hose Asm, Hydraulic-310mm
17	1	165-06	Master Cylinder - left (incl. Refs 19 to 21, 24 to 28, 63 & 64)
18	1	165-05	Master Cylinder - right (incl. Refs 19 to 21, 24 to 28, 63 & 64)
19	2x2	160-42	FHMS M5x0,8x6mm
20	1x2	168-08	Cover
21	1x2	168-09	Cover, Rubber
22			See Section 4.0 Power Pack Assembly
24	1x2	162-02	Spring, Comp. 0.59x1.5
25	1x2		Seal, Primary, 19mm (See Ref. 30)
26	1x2	168-10	Piston 19mm dia.
27	1x2		Seal, Secondary, 19mm (See Ref. 30)
28	1x2		Boot, Rubber (See Ref. 30)
30	1x2	161-25	O-Ring Kit - Master Cylinder (incl. Refs 25, 27 & 28)
31	2	812-13	Pin Asm, Plunger-Adjustable
36	2	812-17	Collar
37	2	112-02	SHSS 10-24x1/4 Knurl Cup PT, PL
38		125-92	Adpt. & Mounting Kit - includes the following:
	1		Mounting Bracket
	1		Nut, #10-32
	1		Lockwasher, 3/16"
	1		Screw, #10-32x2"
	2		Nut, 1/4-20
	2		Lockwasher, 1/4"
	2		Screw, 1/4-20x5/8"
	1		Adaptor, 3" dia.
40	1	125-91	Blower Fan
41			See Section 2.0 Intake and Exhaust System
52	2	125-35	Clamp, Gear 3.50" HF-52
53	1	127-06	Hose, Intake - 3" dia. x 26"
57	1	126-36	Brake Cool Air Duct
58	2	108-56	Lockwasher 1/4 Ext. Tooth
59	2	103-63	PHMS, Phil 1/4-20x1.0 Zinc
60		126-19	Fluid, Brake - Silicon Dot 5 - .35L
61	1	118-02	Terminal, Male #76-1251
62	1	118-03	Terminal, Female #76-1289
63	1x2	160-03	O-ring, Oil Window
64	1x2	168-14	Oil Window, Master Cylinder

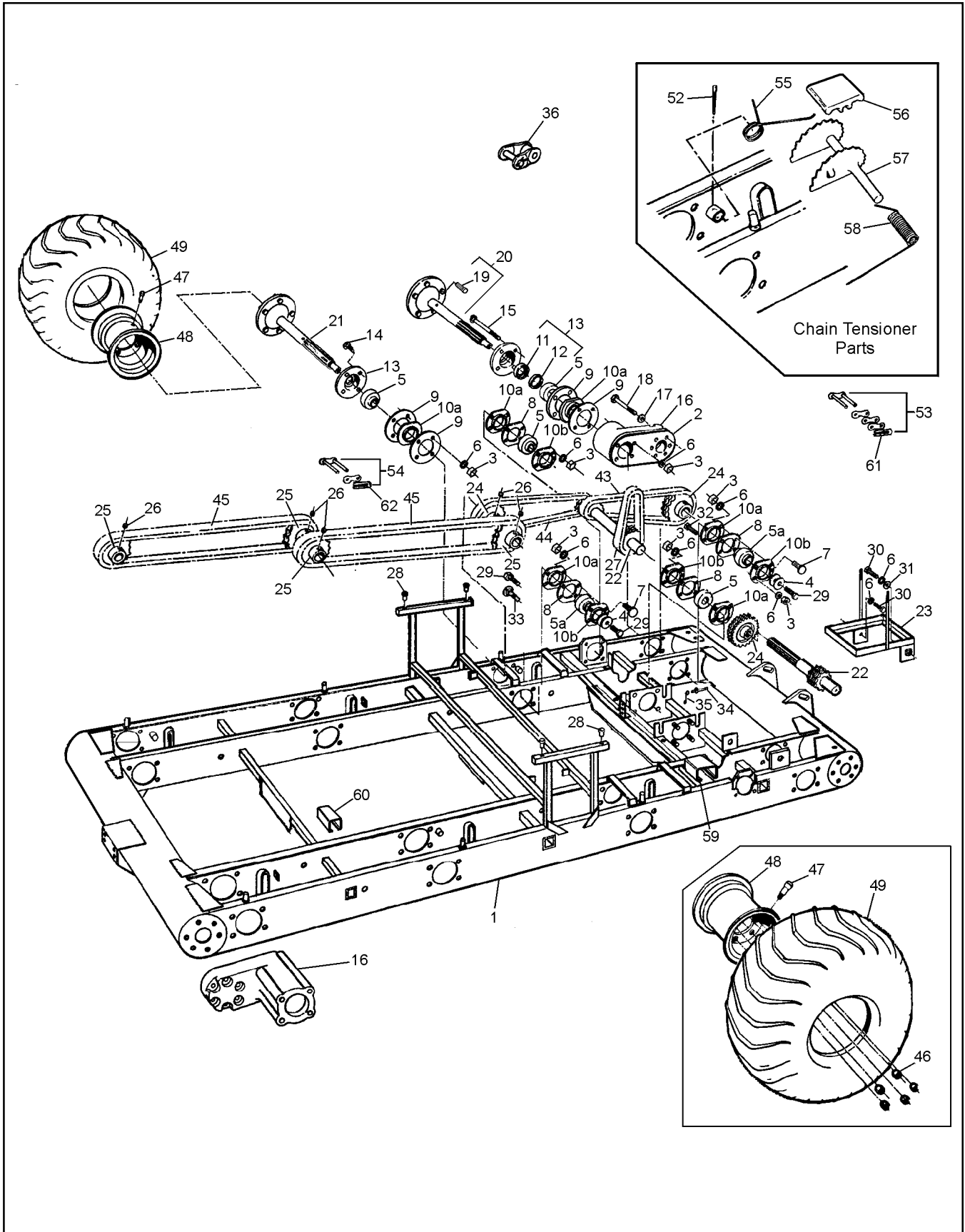


Conquest Parts Manual

6.0 Vehicle Body & Firewall

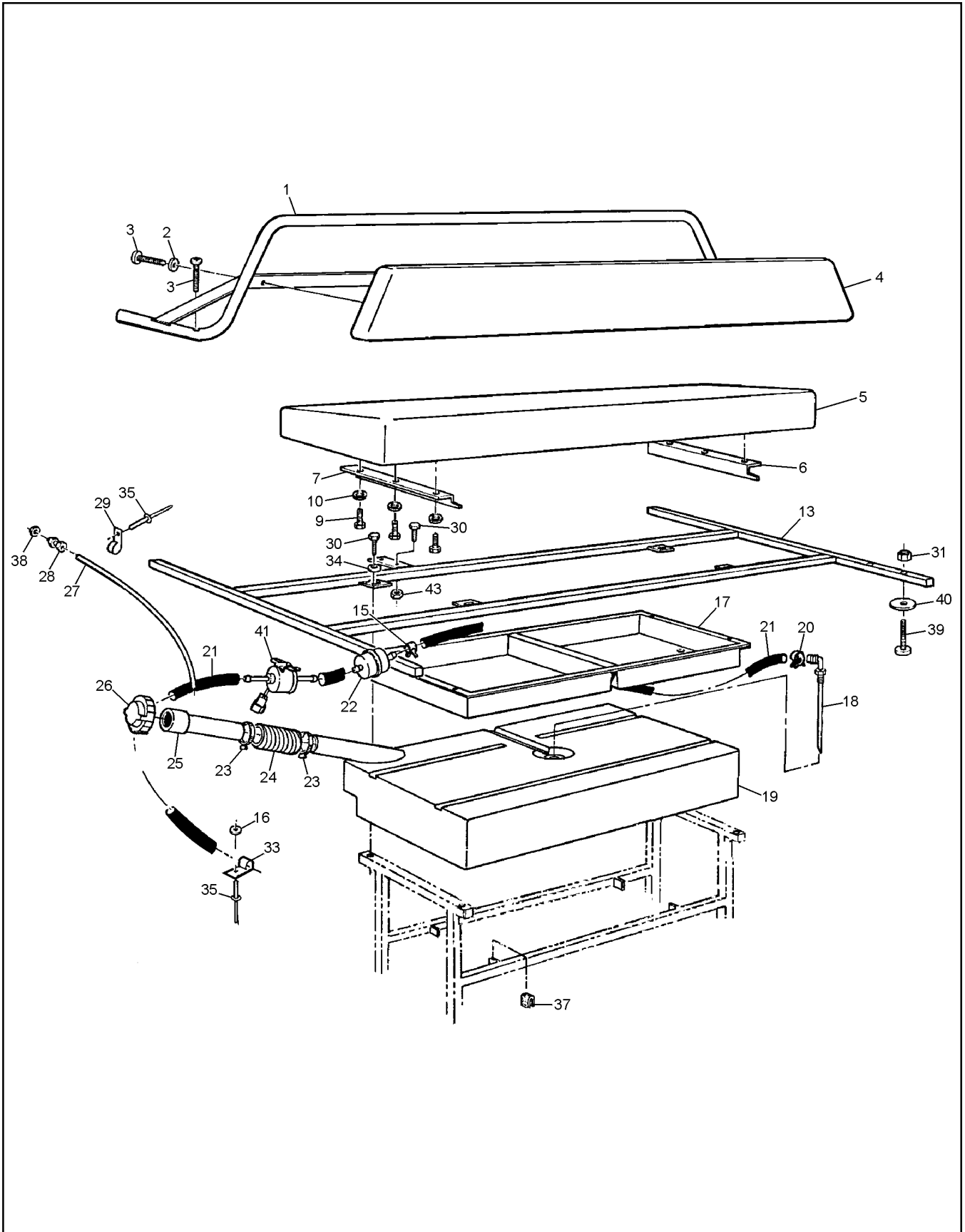
Ref.	Qty.	Part #	Description
1	1	801-98	Body & Hood, Upper - Conq, (spec. colour) (incl. Ref 5,11,12,13,14,15)
2	1	801-48BL	Body, Lower - Conq, (spec. colour)
3	1	127-28	Plug, Nylon - Black
4	1	801-05	Bumper, Vinyl - 8x8
5	1	602-34	Hood Kit - Conq, (spec. colour) (incl. 7,8,9,10,81,82,83,84)
7	1	602-38	Clip, Hood
8	23	120-13	Rivet 3/16x5/8 - Black
8b	63	120-09	Rivet 3/16x1 - Black
9	2	126-10	Wing Stud
10	2	126-09	Grommet, Alum.
11	1	602-24	Frame Asm, Hood
12	2	120-15	Rivet 1/8x7/16
13	1	601-69	Spring Plate
14	1	126-11	Spring
15	2	103-72	Screw, IHWH T/C Slot 1/4-20x3/4
16	1	602-29	Brace, Dash
17	1	601-08	Trim, Vinyl - 84"
18	2	601-09	Trim, Vinyl - 28"
19	4	112-04	HHCS 1/4-20x3/4 Gr2 Zc
20	16	108-25	Washer .31x.75x.06 Zc
21	4	108-03	Lockwasher 1/4
22	4	801-41	Washer, Seat
23	4	126-79	Bumper, Plastic - Black
25	8	103-48	T/S Pan HD PHIL #10x5/8
26	26	120-24	Rivet, 3/32x3/8 Alum.(all plates)
27	4	117-44	T-Nut 1/4-20 Zinc
28	2	127-27	Nameplate - Conquest
28b	1	601-44	Nameplate - Argo
29	1	801-03	Seat, Rear LH - 8x8
30	1	801-02	Seat, Rear RH - 8x8
31	1	609-33	Firewall - Hydraulic Brakes
32	1	803-02	Floor Pan - Front - (spec. colour)
33	1	803-03	Floor Pan - Rear - (spec. colour)
36	57	120-04	Washer .19x.50x.08 Zinc

Ref.	Qty.	Part #	Description
37	1	126-60	Vinyl Strip 1/2"x1/4"x37.5'
38	4	120-05	Washer .19x.50x.04 Zc
39	6	100-16	Clip, Hitch Pin 1.625 Zc
40	2	100-18	Plug, Drain 5/8"x13/32"
41	32	120-28	Collar, Magna Grip
43	32	120-27	Pin, Magna Grip
44	1	863-11	Skid Plate, 8x8 - Black
45	1	126-88	Bumper, Rubber
47	4	103-61	HHCS 3/8-24x1.5 Gr5 Zc
48	4	117-24	Locknut, Nylon 3/8-24 Zc
49	1	616-16	Hitch Assembly
50	1		Vehicle ID Plate, Alum.
51	1	126-65	Plate, Shifting
52	1	127-97	Plate, Caution - Keyswitch
53	1	126-67	Plate, Floor Pan
54	1	126-68	Plate, Operation
55	1	126-69	Plate, Fuel
56	1	127-76	Plate, Cap. Land/Water
58	1		U.S. Plate, Non-U.S. Argos only
61	1	125-41	Handle, Dash (incl. 62)
62	2		Plug Cap, (avail. only with 61)
63	3	117-10	Locknut, Nylon #10-24 Zc
65	3	103-25	PHMS #10-24x3/4 Zinc
66	1	125-84	Grommet, Rubber
67	2	127-01	Reflector, Red
69	1	807-73	Screen, Intake - Conquest
70	1	807-74	Screen, Exhaust - Conquest
72	28	120-11	Rivet 5/32 x 9/16 - Black
73	1	117-15	Nut, Fin Hex 3/8-16 Zinc
74	1	602-27	Support, Adjustable
75	1	103-89	C/Bolt 3/8-16x3/4 Gr2 Zinc
76	1	108-06	Lockwasher 3/8
78	1	616-19	Tube, Hitch
79	1	104-13	Pin, Top Link
80	1	104-11	Pin, Lynch
81	2	127-45A	Pin, Hinge
82	2	127-45B	Knuckle, Hinge
83	8	103-47	HHCS 10-24x1/2
84	8	108-59	Lockwasher #10 Int. Tooth Zinc



Ref.	Qty.	Part #	Description
1	1	806-00	Frame Asm - 8x8
2	2	606-24	Gasket - Bearing Extension
3	80	117-29	Locknut, Nylon 3/8-16 Zinc
4	16	108-46	Washer .40x1.37x.12 Hi-Carbon
5	12	101-35	Bearing, Ball - 1.25
5a	8	101-41	Bearing, Ball - 1.0
6	82	108-06	Lockwasher 3/8
7	30	103-88	C/Bolt 3/8-16x1.0 Gr5 Zc
8	12	605-99	Gasket, Flange - Inner
9	16	605-89	Gasket, Flange - Outer
10a	20	605-63	Flange - 4 hole
10b	12	101-20	Flange, Greasable - 4 hole
11	8	102-14	Seal, Oil 1.25x1.75x0.188
12	8	102-15	Seal, Oil 1.25x1.874x0.25
13	8	605-97	Flange Asm, Outer (incl. Refs. 11 & 12)
14	16	112-39	C/Bolt 3/8-16x1.75 Gr5 Zc
15	16	103-67	C/Bolt 3/8-16 x 6 Gr2 Zc
16	4	810-52	Bearing Extension (uses Refs. 17 & 18)
17	24	108-34	Washer 7/16 SAE Zinc
18	24	103-81	HHCS 7/16-20x2.5 Gr5 Zc
19	5x8	103-80	Stud, Wheel 7/16-20x1.125 #B271
20	4	810-73	Axle Asm - Front/Rear (incl. Ref. 19)
21	4	810-75	Axle Asm - Mid (incl. Ref. 19)
22	2	810-32	Shaft, Idler - 11T
23	1	604-84	Frame Asm, Battery
24	6	810-28	Sprocket, Double - 24T
25	8	606-34	Sprocket, S60x19T
26	10	112-03	SHSS 5/16-18x3/8 1/2 DOG, PL
27	2	803-17	Chain, Idler RC50-2x40P (incl. Ref. 53)
28	4	117-64	Insert, 1/4-20
29	12	112-31	HHCS 3/8-16x1.0 2B Gr8 Zc
30	2	112-14	HHCS 3/8-16x.75 Gr5 Zc
31	1	108-15	Washer 3/8 SAE Zc
32	2	103-82	HHCS 3/8-16x1.5 Gr5 Zc
33	4	112-61	C/Bolt 3/8-16 x 1.25 Gr5 Zc
34	2	120-15	Rivet 1/8x7/16
35	1	126-11	Spring
36		127-80	Link, Half - RC60 - 1 (opt.)
43	2	603-17	Chain, RC50-2 x 42P-Front (incl. Ref. 53)
44	2	603-20	Chain, RC50-2 x 70P-Mid (incl. Ref. 53)
45	4	603-93	Chain, RC60-1 x 84P-Rear (incl. Ref. 54)
46	5x8	117-35	Nut, Wheel 7/16-20 Zc
47	8	125-26	Valve, Tire
48	8	125-13C	Rim - Charcoal
49	8	126-96	Tire, Goodyear Runamuk 22x10-8
52	6	100-01	Pin, Cotter 1/8x1.50 Zc
53	1x6	100-96	Con. Link, RC50-2 H.D.
54	1x4	603-84	Con. Link, RC60-1 H.D.
55	6	127-65	Spring Torsion - 1.16x0.35
56	6	606-39	Slider Block -1/2" Shaft
57	6	606-35	Tensioner Asm, Chain
58	6	127-64	Spring, Torsion - .76x1.9
59	2	606-41	Slide, Chain - 2"
60	4	606-42	Slide, Chain - 1.25"
61		603-95	Spring Clip - RC 50 Closed
62		603-96	Spring Clip - RC 60 Closed

8.0 Fuel System & Seat Assembly Conquest Parts Manual

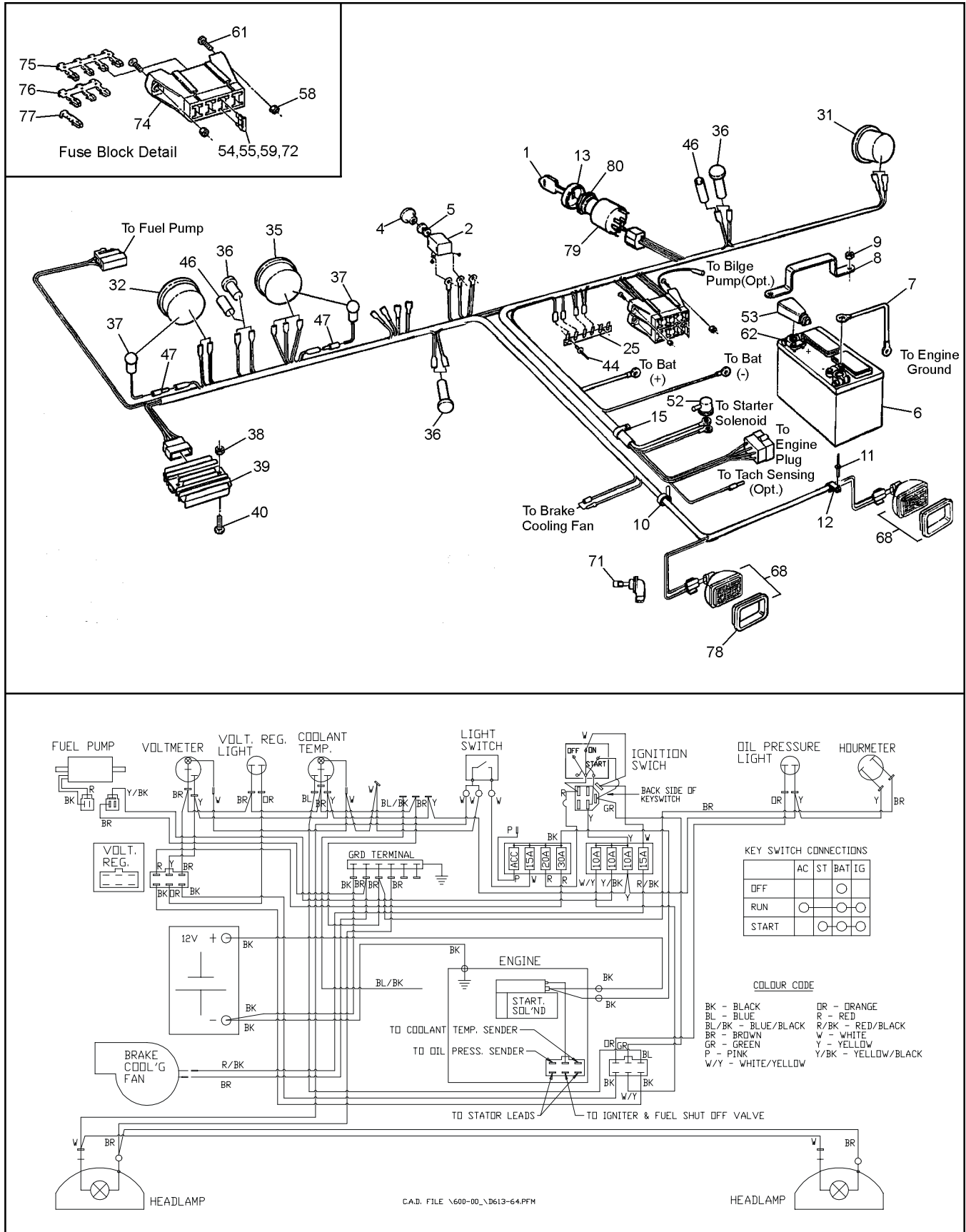


Conquest Parts Manual 8.0 Fuel System & Seat Assembly

Ref.	Qty.	Part #	Description
1	1	803-50	Handrail Assembly
2	4	108-03	Lockwasher 1/4
3	6	112-41	PHMS, PHIL 1/4-20x1.25 Zinc
4	1	608-39	Back Pad Asm
5	1	608-43	Seat, Bench
6	1	608-30	Angle, Left
7	1	608-31	Angle, Right
9	6	112-04	HHCS 1/4-20x3/4 Gr2 Zc
10	6	108-03	Lockwasher 1/4
13	1	804-17	Frame Asm, Seat
15	2	112-78	Clamp, Hose, 9/16" - Black
16	2	120-04	Washer .19x.50x.08 Zinc
17	1	608-32	Tool Box
18	1	608-28	Pickup Assembly, Fuel (See Ref. 19)
19	1	608-24	Tank, Fuel - 32 litre (incl. Ref. 18)
20	4	112-79	Clamp, Hose, 1/2" - Black
21	1	608-42	Fuel Hose - 110"
22	1	125-64	Fuel Filter
23	2	100-12	Clamp, Gear 2.25" HF-36
24	1	125-94	Hose, Filler
25	1	126-47	Neck Asm, Fuel
26	1	126-46	Cap, Fuel
27	1	127-21	Hose, Vent - 86"
28	1	126-50	Male Connector, 1/4"
29	5	126-94	Clamp, Nylon Wire - 1/4"ID
30	6	112-04	HHCS 1/4-20x3/4 Gr2 Zc
31	12	117-10	Locknut, Nylon #10-24 Zc
33	3	126-93	Clamp, Nylon Wire - 1/2"ID
34	4	108-08	Washer .28x.62x.04 Zinc
35	8	120-09	Rivet 3/16x1 - Black
37	4	702-06	Foam Cushion
38	1	117-54	Nut, Locking PAL 1/2-20 Zc
39	12	112-07	RHMS 10-24x1.25 Zc
40	12	108-42	Washer .21x1.0x.06 Zinc
41	1	49040-2065	Pump, Fuel
43	2	117-27	Locknut, Nylon 1/4-20 Zc

9.0 Electrical System

Conquest Parts Manual



Ref.	Qty.	Part #	Description
1	2	127-108	Key, Molded
2	1	100-62	Switch, Light
3	1	613-64	Wire Harness - Conquest (incl. Fuse Holders)
4	1	126-76	Knob, Light
5	1	108-55	Lockwasher 7/16 External Tooth
6	1	127-54	Battery, Exide 45-50
7	1	613-14	Wire, Ground - 14"
8	1	604-52	Bracket, Battery Retaining
9	2	117-21	Locknut, Nylon 5/16-18 Zc
10	8	100-64	Tie Wrap, 5.5" - Black
11	6	120-13	Rivet 3/16x5/8 - Black
11a	10	120-09	Rivet 3/16x1 - Black
12	16	126-93	Clamp, Nylon Wire-1/2" ID
13	1	127-107	Cover, Nut
15	5	127-24	Clamp, Nylon - 1" ID
25	1	613-37	Terminal Strip, Ground
31	1	632-15	Hourmeter
32	1	633-10	Voltmeter
35	1	634-22	Gauge, Water Temperature
36	3	634-08	Light, Indicator
37	2	634-10	Light Kit, #06215-00
38	2	117-27	Locknut, Nylon 1/4-20 Zc
39	1	21066-2070	Regulator, Voltage
40	2	103-63	PHMS, PHIL 1/4-20x1.0 Zc
44	2	120-15	Rivet 1/8x7/16
46	2	118-48	Heat Shrink, 2 x 1/2
47	2	118-02	Terminal, Male #76-1251
52	1	613-46	Terminal Insulator (2 ga.)
53	1	127-55	Cap, Battery Terminal
54	1	118-53	Fuse, 20A 2 prong (AT020)
55	2	118-49	Fuse, 15A 2 prong (AT015)
58	4	117-10	Locknut, Nylon #10-24 Zc
59	3	118-52	Fuse, 10A 2 prong (AT010)
61	4	103-25	PHMS #10-24x3/4 Zc
62	2	127-56	Terminal, Battery Post
68	2	613-62	Headlamp Asm (incl. Refs. 71 & 78)
71	2	127-46	Bulb, Headlight - Halogen
72	1	118-51	Fuse, 30A 2 prong (AT030)
74	2	118-60	Block - Fuse, 8 position (4 fuse)
75	1	118-61	Terminal - Fuse, quad
76	1	118-63	Terminal - Fuse, triple
77	9	118-62	Terminal - Fuse, single
78	2	613-62RB	Bezel, Rubber Headlamp
79	1	127-105	Switch, Ignition
80	1	127-106	Nut, flanged, plastic

***ARGO* Products Manufactured by:**

Ontario Drive & Gear Limited

P.O. Box 280, 220 Bergey Court
New Hamburg, Ontario
Canada N0B 2G0
Phone: (519) 662-2840
Fax: (519) 662-2421

ODG *Dedicated to quality and performance*



ARGO

CONQUEST PARTS MANUAL

**Model Nos. V899-37 &
V899-38**

From Serial # CB19686

Foreword

ODG has prepared this parts manual for the CONQUEST model to assist both qualified mechanics and vehicle owners in ordering correct, quality replacement ARGO parts.

Proper and regular service, and replacing old, worn or broken parts with the correct ARGO replacement parts, are both essential to prolonging the life of the ARGO. Please refer to this parts manual before ordering any replacement part.

All information contained in this CONQUEST Parts Manual is based on the latest product specification available at time of printing. If your CONQUEST differs from the specifications contained in this manual, contact Ontario Drive & Gear Limited for information.

ODG reserves the right to alter specifications on the CONQUEST model at any time, without obligation or prior notification.

Reproduction of this CONQUEST Parts Manual, in whole or in part, is prohibited without prior written permission from Ontario Drive & Gear Limited.

Model Identification

CONQUEST - Model Nos. V899-37 and V899-38

Explanation of Parts Manual Format

- Ref** - Reference number between assembly diagram and component parts list
- Part No.** - Argo replacement part number for identification and re-ordering
- Description** - Part description for identification and re-ordering
- Qty** - Indicates the quantity of a part used in an Assembly

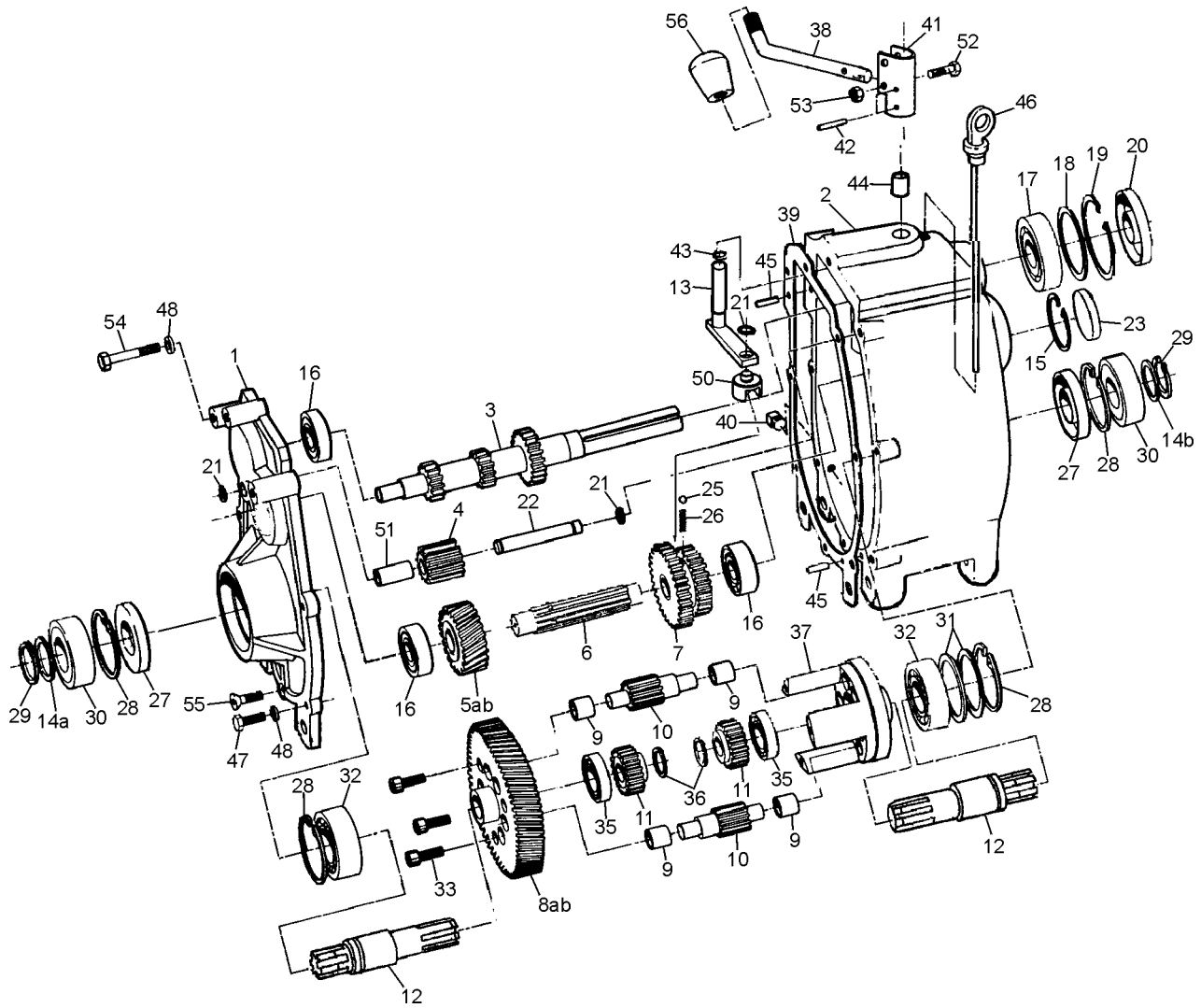


Using the Parts Manual

1. Find the major vehicle assembly in the Table of Contents on this page, and turn to that section.
2. Locate the part in the illustration that you wish to order.
3. Refer to the parts list in that section.
4. Find the correct part number (Part No.), part description (Description) and correct quantity (Qty).
5. Use *only* this information to order ARGO replacement parts. *DO NOT* attempt to order a replacement part by reference number or page number.

Table of Contents

Foreword	i
Model Identification	i
Using the Parts Manual	ii
1.0 Transmission	1
2.0 Intake and Exhaust System	3
3.0 Clutch System	4
4.0 Power Pack Assembly	5
5.0 Brake System - Hydraulic	7
6.0 Vehicle Body & Firewall	9
7.0 Frame & Drive System	11
8.0 Fuel System & Seat Assembly	13
9.0 Electrical System	15



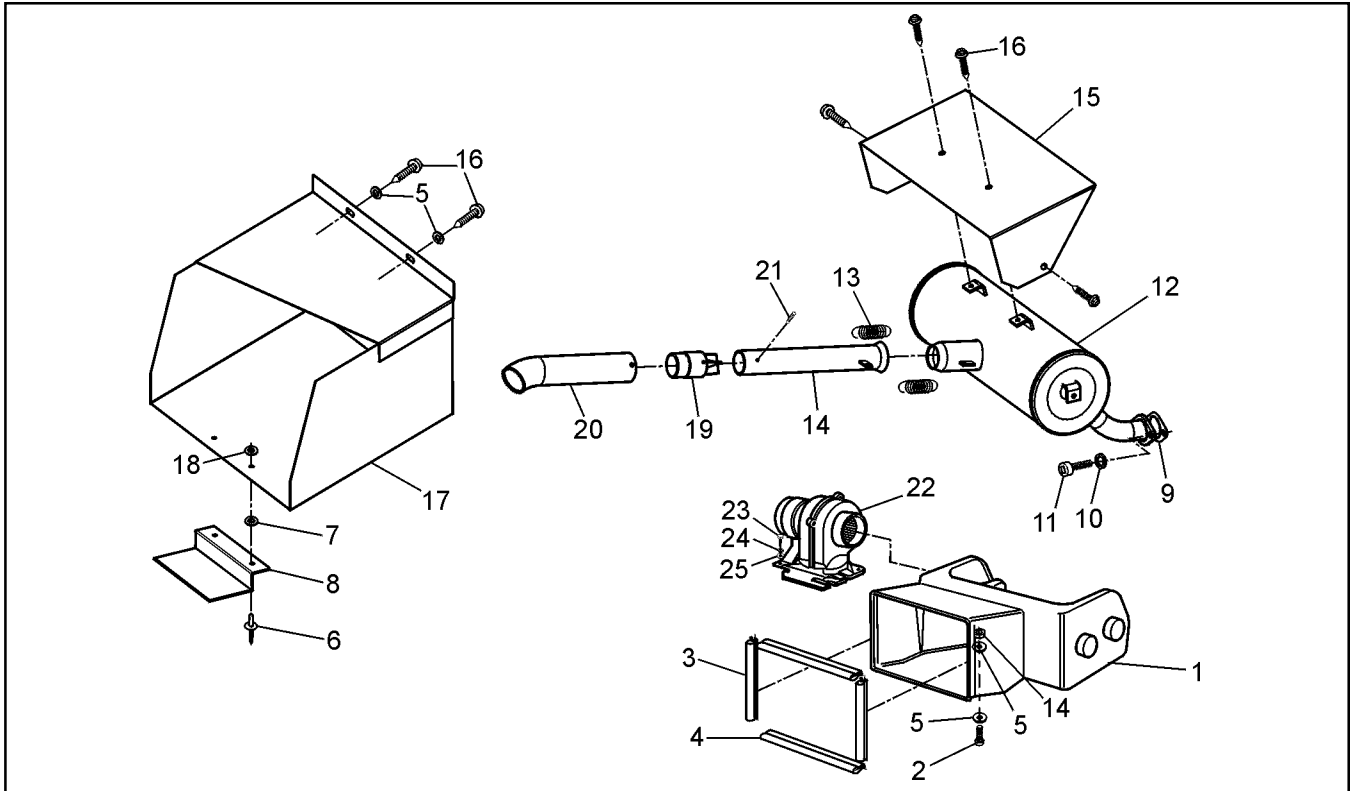
Conquest Parts Manual

1.0 Transmission

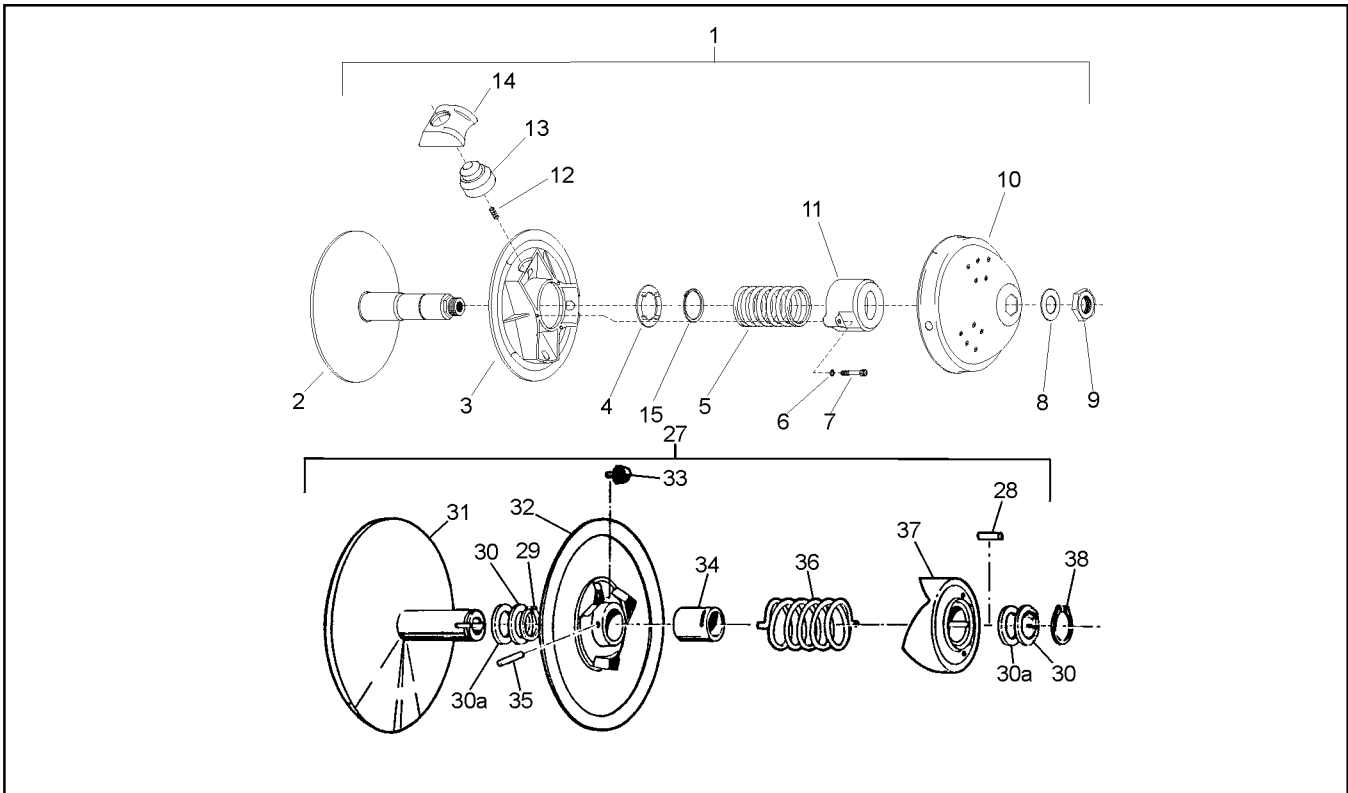
Ref.	Qty.	Part #	Description
		610-18M	Transmission Asm - M, does not include Refs 38, 52, 53 & 56, uses Refs 5a & 8a
		610-18G	Transmission Asm - G, does not include Refs 38, 52, 53 & 56, uses Refs 5b & 8b
1	1	34-68	Cover, Transmission
2	1	34-99	Housing, Transmission
3	1	34-21	Shaft, Input - 13/21T
4	1	34-16A	Gear, Idler - 13T (incl. Ref 51)
5a	1	34-95	Gear, Helical - 24T - M
5b	1	34-97	Gear, Helical - 21T - G
6	1	34-94	Shaft, Spline
7	1	34-91	Gear, Double - 26/33T
8a	1	34-22	Gear Plate - 73T - M
8b	1	34-45	Gear Plate - 76T - G
9	12	105-03	Bushing, Oilite - ½ x ¾
10	6	34-13	Gear, Planet - 12T
11	2	34-14	Gear, Sun - 21T
12	2	34-98	Shaft, Output
13	1	34-65	Shifter Asm.
14a	1	114-04	Washer, Shim .040 Thk
14b	1	114-05	Washer, Shim .020 Thk
15	1	106-01	Retaining Ring
16	3	101-01	Bearing, Ball 6204Z-C3
17	1	101-16	Bearing, Ball 6206-C3
18	as req.	114-02	Washer, Shim 2.06x2.42x.02
19	1	106-05	Retaining Ring
20	1	102-05	Seal, Oil WBS 30x62x10
21	3	107-05	Retaining Ring
22	1	34-11	Pin, Dowel ½ x 3.50
23	1	31-07	Plug Plate
25	1	109-05	Ball, Steel 6mm 62-67 Rc
26	1	34-32	Spring, Compression - 7/32x.50
27	2	102-03	Seal, Oil WBS 30x72x10
28	4	106-03	Retaining Ring
29	2	107-02	Retaining Ring
30	2	101-05	Bearing, Ball 6306-2NSE C3
31	2	114-01	Washer, Shim 2.25x2.81x.02
32	2	101-03	Bearing, Ball 6207-C3
33	3	103-04	SHCS 5/16-18x1.0 Bare
35	2	101-15	Bearing, Ball 6005-C3
36	2	107-04	Retaining Ring
37	1	34-08	Cage
38	1	610-77	Lever, Shift
39	1	34-47	Gasket, Cover - 1/64" Thk
40	1	103-02	Plug, Magnetic 3/8-18 NPT
41	1	34-86	Holder, Shift Lever
42	2	111-01	Pin, Spring 5/32x1.0
43	1	113-01	O-Ring
44	1	105-02	Bushing, Oilite - ½ x 1.0
45	2	104-03	Pin, Dowel 1/4 x 7/8
46	1	34-77	Dipstick, with breather
47	4	103-06	HHCS 5/16-18x1.0 GR5 Zc
48	7	108-05	Lockwasher 5/16
50	1	34-63	Shift Yoke
51	1	105-05	Bushing, Oilite - ½ x 1.5 (in Ref. 4)
52	1	103-97	HHCS 1/4-20x1.25 GR5 Zc
53	1	117-27	Locknut, Nylon 1/4-20 Zc
54			See Section 4.0 Power Pack Assembly
55	1	103-95	FHSC 5/16-18x1.0 GR8 Zc
56	1	126-38	Knob, Shift

2.0 Intake and Exhaust System

Conquest Parts Manual



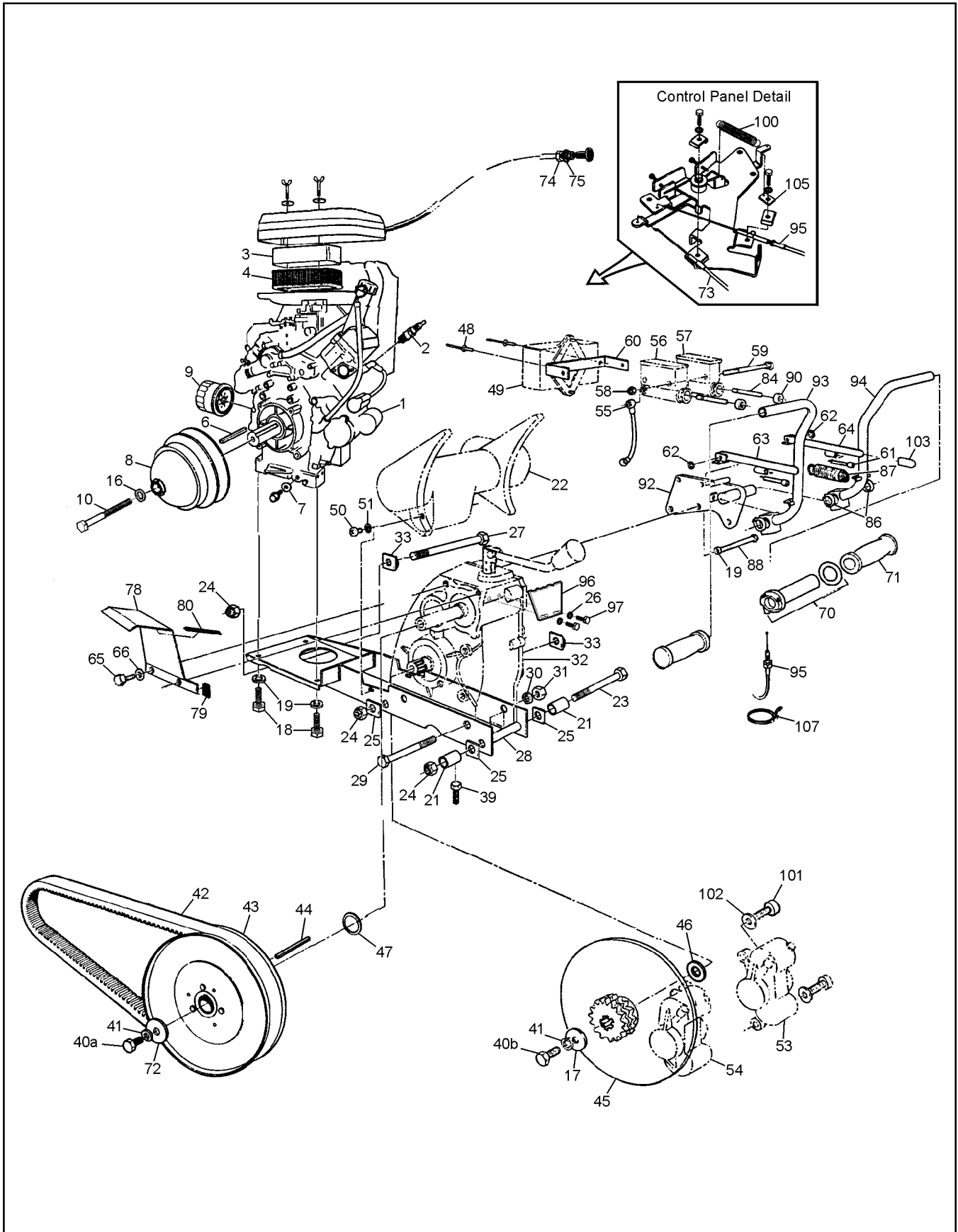
Ref.	Qty.	Part #	Description
1	1	807-76	Duct, Intake
2	2	103-63	PHMS, PHIL 1/4-20x1.0 Zinc
3	2	807-78	Seal, Radiator - 9.75" LG
4	2	807-77	Seal, Radiator - 11.5" LG
5	6	108-01	Washer, Fender 1/4 BS x1.25 OD
6	2	120-13	Rivet 3/16 x 5/8 - Black
7	2	125-58	Washer, Fibre - W-77F
8	1	707-28	Support, Exhaust Duct
9	2	11060-2079	Gasket
10	4	108-02	Lockwasher 5/16 Hi-Collar Bare
11	4	112-30	SHCS M8x1,25x20mm Zinc
12	1	807-95	Muffer, Kawasaki V-Twin
13	2	126-57	Spring, Extension- 7/16x2.14
14	1	807-97	Pipe, Muffer Tail - Kawasaki
15	1	807-94	Shield, Heat - Kawi Muffer
16	6	112-19	Screw, IHWH T/C Slot 1/4-20x1/2
17	1	807-96	Duct, Exhaust - Kawasaki
18	2	120-04	Washer .19x.50x.08 Zinc
19	1	807-67	Spark Arrester
20	1	807-89	Tube, Tailpipe Outlet
21	1	112-43	Screw IHWH #8x3/8
22			See Section 5.0 Brake System
23	4	103-47	HHCS, #10-24X1/2
24	4	120-05	Washer, .19x.50x.04
25	4	108-59	Lockwasher #10 Int. Tooth



Ref.	Qty.	Part #	Description
1	1	127-71	Clutch, Driver - Keyed (incl. Refs 2 to 14)
2	1	0405-0044	Pulley, Half - Fixed
3	1	0410-0006	Pulley, Half - Sliding
4	1	V09	Plate, Spring Guide
5	1	V10-48-103-18	Spring
6	3	420-2453-700	Lockwasher
7	3	222-9640-66	SHCS
8	1	0080-0153	Washer, Zc
9	1	0080-0100	Nut
10	1	0115-0003(A)	Cap
11	1	0440-0001	Cover, Spring
12	3	C24-L1	Spring, Anti-noise
13	3	0135-2045	Weight, 260g
14	3	0130-3002	Block, Red
15	1	V08C	Retaining Ring
27	1	126-24	Clutch, Driven - Model "B" (incl. Refs 28 to 37)
28	1	ASK-5	Key 1/4x1/4x5/8
29	1	ASR-6	Retaining Ring
30	as req	ASA-1-S	Spacer .025" Thick
30a	as req	ASA-1	Spacer .050" Thick
31	1	AFK25.4-250OD01	Pulley, Half - Fixed
32	1	AMC-2-250OD01	Pulley, Half -Sliding incl. Refs. 33, 34 & 35
33	3	ANS-2-T	Shoe, Cam
34	1	AMB-2	Bushing, Bronze
35	1	111-01	Pin, Spring 5/32x1.0
36	1	ACS-3-188	Spring, Blue
37	1	AFC-4-C3D4	Cam
38	1	371-9031-0	Retaining Ring

4.0 Power Pack Assembly

Conquest Parts Manual



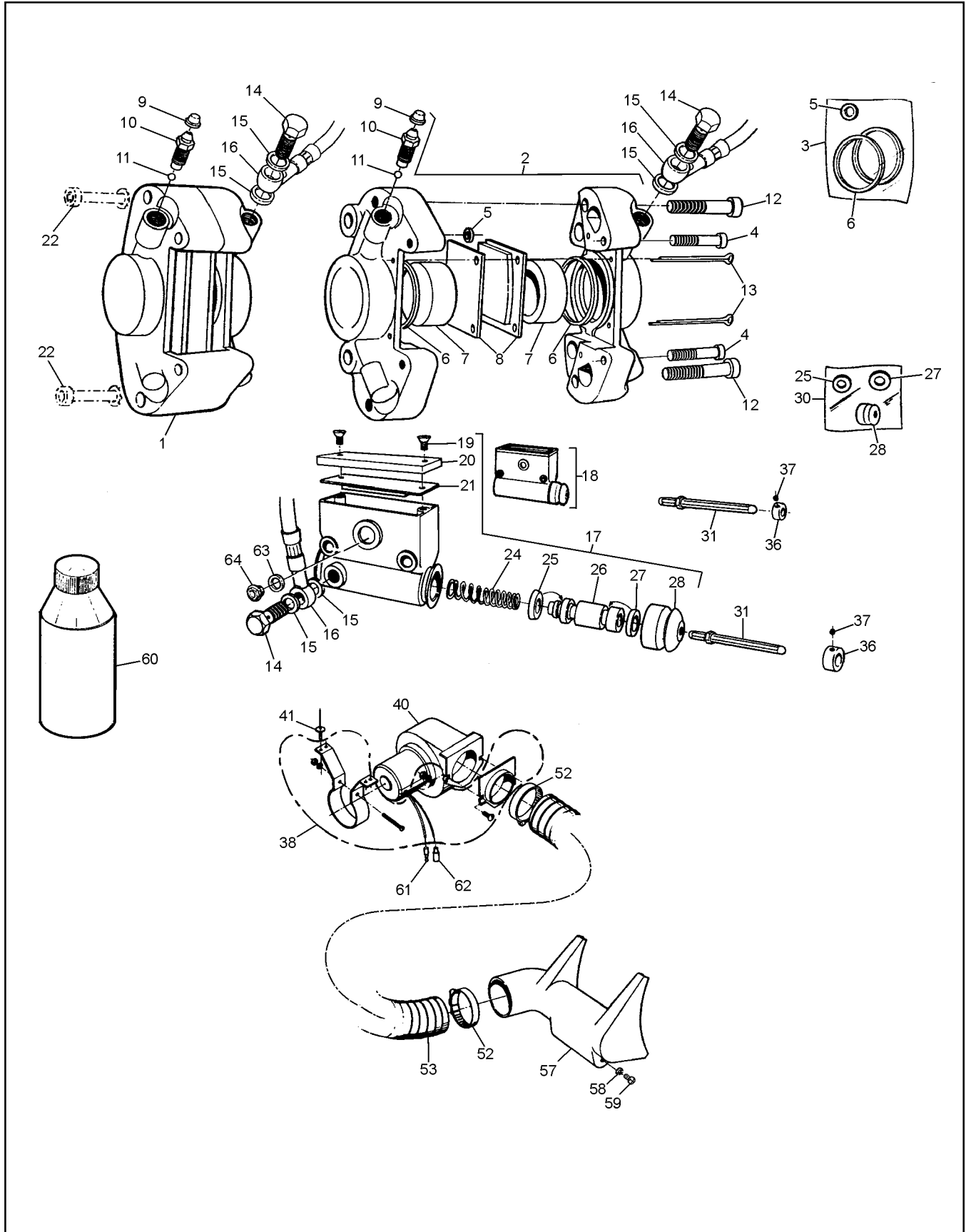
Conquest Parts Manual

4.0 Power Pack Assembly

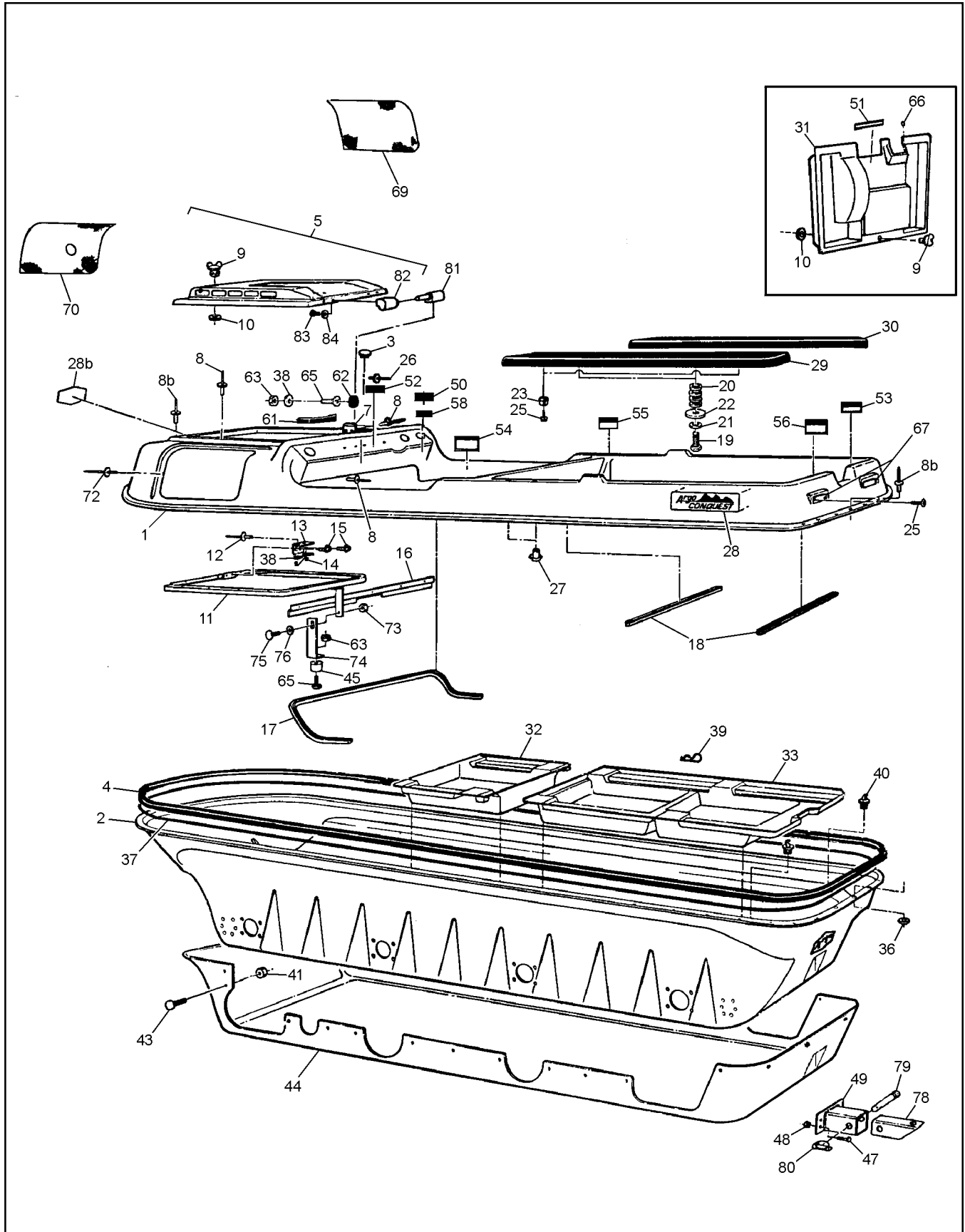
Ref.	Qty.	Part #	Description	Ref.	Qty.	Part #	Description
1	1	FD620D-JS12	Engine - Kawasaki, (incl. Refs. 2, 3, 4, 7, 9, 49)	47	as req	108-36	Washer 1.03x1.37x.06 Zinc
2a	2	92070-2072	Sparkplug, BMR4A (for prior to S/N CB17857)	48	2	120-13	Rivet 3/16x5/8 - Black
2b	2	92070-2112	Sparkplug, BPR4ES (from S/N CB17857)	49	1	21119-2157	Igniter
3	1	11013-2114	Element, Air Filter - Foam	50 to 57			See Section 5.0 Brake System
4	1	11013-2139	Element, Air Filter - Paper	58	2	117-27	Locknut, Nylon 1/4-20 Zc
6	1	110-13	Key 1/4x1/4x2.25	59	2	103-66	HHCS 1/4-20x4.0 Gr5 Zc
7	1	11009-2566	Gasket, Drain Plug	60	1	610-75	Bracket, Igniter
8			See Section 3.0 Clutch System	61	2	103-69	SHCS 1/4-20x1.5 Zc
9	1	127-68	Filter, Oil	62	2	113-02	O-Ring
10	1	112-15	SHCS M10x1,5x90mm	63	1	810-20	Lever Asm, Brake - LH
16	1	108-54	Lockwasher, Hi-Collar - M10	64	1	810-21	Lever Asm, Brake - RH
17	2	108-18	Washer .40x1.37x.12 Zc	65	2	103-17	HHCS 3/8-16x1.0 Gr5 Zc
18	4	112-30	SHCS M8x1,25x20mm Zc	66	2	108-26	Washer 3/8 Zc
19	7	108-05	Lockwasher 5/16 Zc	70	1	127-81	Throttle Twist Grip
21	2	811-14	Spacer	71	2	127-35	Grip, Molded
22			See Section 5.0 Brake System	72	1	108-46	Washer .40x1.37x.12 Hi-Carbon
23	1	112-57	HHCS 5/8-11x10.0 Gr5 Zc	73	1	812-29	Cable Asm, Choke - Conq.
24	3	117-09	Locknut, Nylon 5/8-11 Zc	74	1	117-68	Nut, Jam 3/8-24 UNF Zinc
25	3	811-09	Washer, Square - .64 ID	75	1	108-32	Lockwasher 3/8 Int. Tooth
26	2	108-24	Washer 5/16 SAE Zinc	78	1	603-29	Guard, Belt Protect
27	2	112-58	HHCS 5/8-11x7.5 Gr5 Zc	79	1	601-92	Vinyl Trim - 1.5"
28	1	811-30	Frame, Powerpack - Conq.	80	1	601-93	Vinyl Trim - 4.25"
29	2	103-20	HHCS 1/2-13x6.5 Gr5 Zc	84			See Section 5.0 Brake System
30	2	108-07	Lockwasher 1/2	86	4	106-07	Retaining Ring
31	2	117-06	Nut, Fin Hex 1/2-13 Zc	87	2	127-33	Spring, Extension
32			See Section 1.0 Transmission	88	3	103-55	HHCS 5/16-18x2.75 Gr5 Zc
33	2	811-15	Washer, Square Lock .64ID	90			See Section 5.0 Brake System
39	2	103-53	HHCS 3/8-16x3.0 Gr5 Full Thread	92	1	812-01	Bracket Asm, Steering
40a	1	103-34	HHCS 3/8-16x1.25 Gr5 Zc	93	1	812-27	Lever Asm, Steering - LH
40b	2	103-18	HHCS 3/8-24x1.25 Gr5 Zc	94	1	812-26	Lever Asm, Steering - RH
41	3	108-06	Lockwasher 3/8 Split Ring Zc	95	1	612-101	Cable Asm, Throttle
42	1	125-56	Drive Belt	96	1	610-81	Shift Gate, Transmission
43			See Section 3.0 Clutch System	97	2	112-01	HHCS 5/16-8x3/4 Gr5 Zn
44	1	110-09	Key 1/4x1/4x3.0	100	1	127-11	Spring, Extension
45	2	610-80	Brake Disc #50-2x13T	101	4	103-41	SHCS 3/8-16x1.25 Zc
46	as req	108-75	Washer, Shim 1" id x.5 x .010	102	4	108-23	Washer 3/8 SAE Gr8 - Dich.
				103	2	126-89	Cap, Vinyl - Black
				105	1	601-86	Clip, Retainer
				107	1	100-64	Tie Wrap - 5.5" - Black

5.0 Brake System - Hydraulic

Conquest Parts Manual



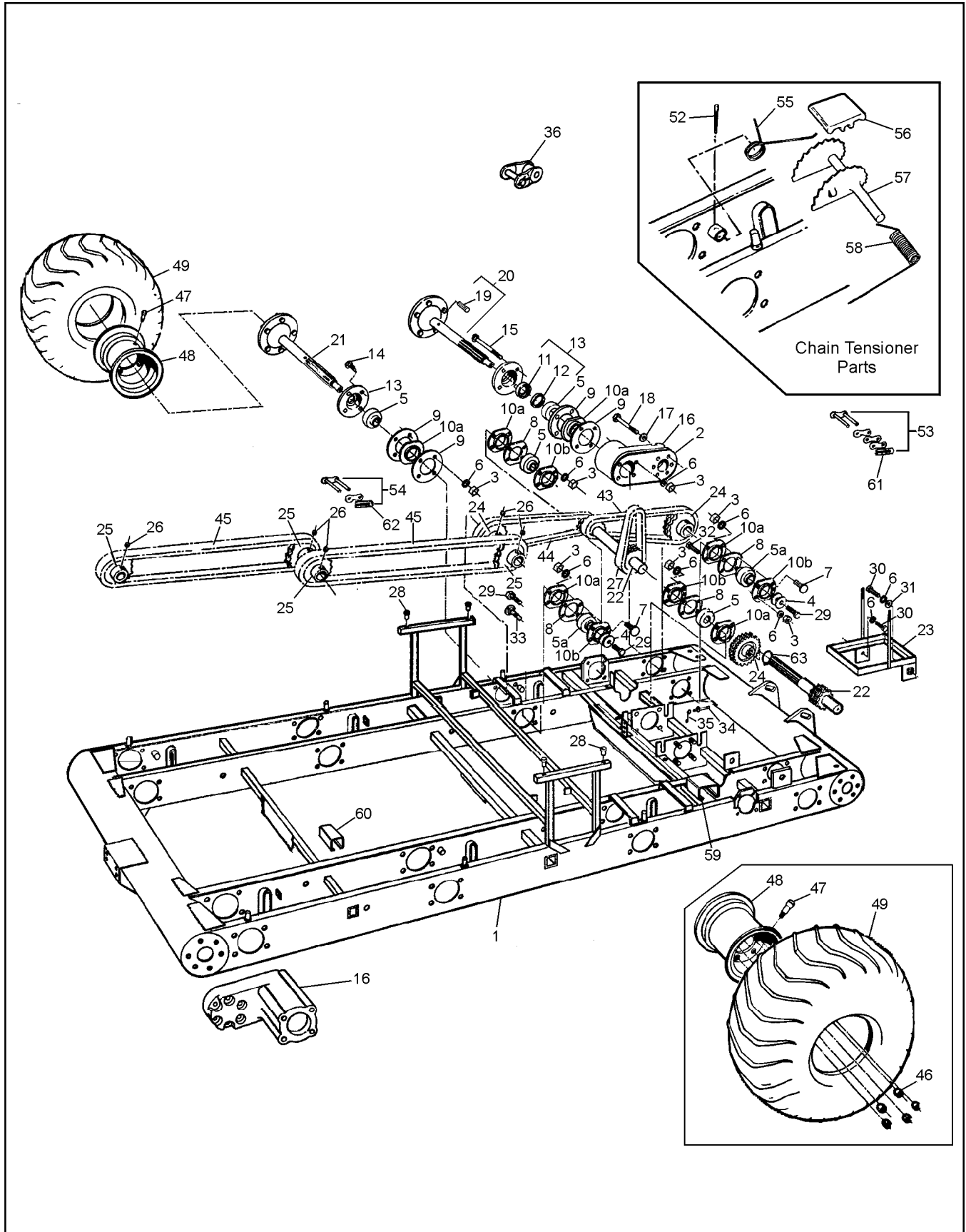
Ref.	Qty.	Part #	Description
1	1	166-01RM	Caliper, Brake - L w/o Pads (incl. Refs 5, 6, 7, 9 - 12)
2	1	166-02RM	Caliper, Brake - R w/o Pads (incl. Refs 5, 6, 7, 9 - 12)
3	2	161-01	O-Ring Kit, Caliper (incl. Refs 5 & 6)
4	2	160-40	SHCS M8x1,25x40 Zc
5	1		Seal, Rubber - 5mm (see Ref 3)
6	2		Seal, Piston - 41mm (see Ref 3)
7	2x2	168-05	Piston 41mm
8	1	170-02	Brake Pad Set (4) - Metallic (Asbestos-free)
9	1x2	168-20	Plug, Rubber
10	1x2	168-03	Screw, Bleeding M10x1,0
11	1x2	109-03	Ball, Steel - 7/32 Dia.
12	2x2	160-41	SHCS M10x1,5x50mm Zc
13	2x2	168-06	Pin, Cotter 3,2x50mm
14	4	160-44	Bolt, Banjo-M10x1,0x21,0 Zc
15	8	160-01	Washer, Copper-1,5x10,0x14,0
16	1x2	163-01	Hose Asm, Hydraulic-310mm
17	1	165-06	Master Cylinder - left (incl. Refs 19 to 21, 24 to 28, 63 & 64)
18	1	165-05	Master Cylinder - right (incl. Refs 19 to 21, 24 to 28, 63 & 64)
19	2x2	160-42	FHMS M5x0,8x6mm
20	1x2	168-08	Cover
21	1x2	168-09	Cover, Rubber
22			See Section 4.0 Power Pack Assembly
24	1x2	162-02	Spring, Comp. 0.59x1.5
25	1x2		Seal, Primary, 19mm (See Ref. 30)
26	1x2	168-10	Piston 19mm dia.
27	1x2		Seal, Secondary, 19mm (See Ref. 30)
28	1x2		Boot, Rubber (See Ref. 30)
30	1x2	161-25	O-Ring Kit - Master Cylinder (incl. Refs 25, 27 & 28)
31	2	812-13	Pin Asm, Plunger-Adjustable
36	2	812-17	Collar
37	2	112-02	SHSS 10-24x1/4 Knurl Cup PT, PL
38		125-92	Adpt. & Mounting Kit - includes the following:
	1		Mounting Bracket
	1		Nut, #10-32
	1		Lockwasher, 3/16"
	1		Screw, #10-32x2"
	2		Nut, 1/4-20
	2		Lockwasher, 1/4"
	2		Screw, 1/4-20x5/8"
	1		Adaptor, 3" dia.
40	1	125-91	Blower Fan
41			See Section 2.0 Intake and Exhaust System
52	2	125-35	Clamp, Gear 3.50" HF-52
53	1	127-06	Hose, Intake - 3" dia. x 26"
57	1	126-36	Brake Cool Air Duct
58	2	108-56	Lockwasher 1/4 Ext. Tooth
59	2	103-63	PHMS, Phil 1/4-20x1.0 Zinc
60		126-19	Fluid, Brake - Silicon Dot 5 - .35L
61	1	118-02	Terminal, Male #76-1251
62	1	118-03	Terminal, Female #76-1289
63	1x2	160-03	O-ring, Oil Window
64	1x2	168-14	Oil Window, Master Cylinder



Conquest Parts Manual

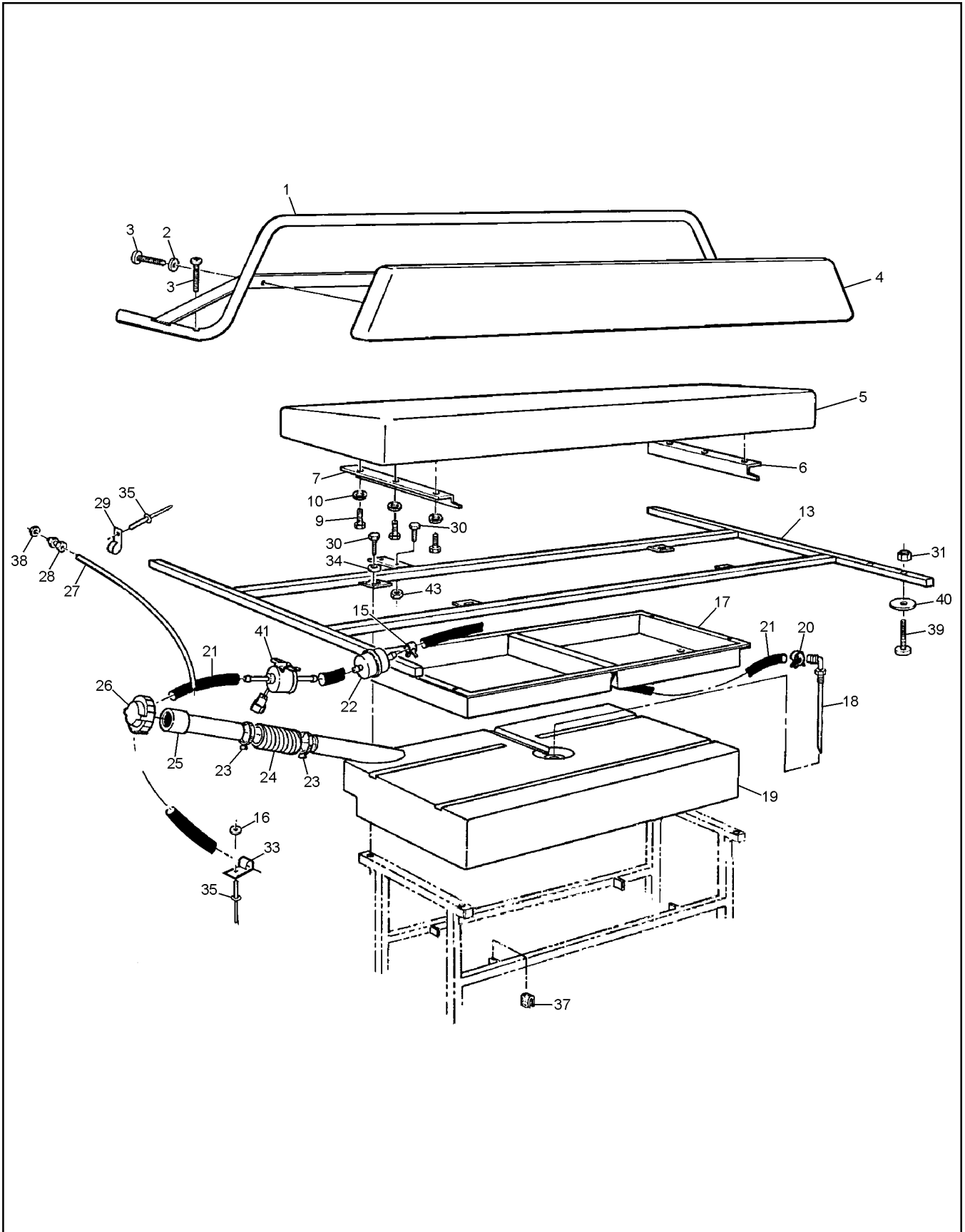
6.0 Vehicle Body & Firewall

Ref.	Qty.	Part #	Description	Ref.	Qty.	Part #	Description
1	1	801-98	Body & Hood, Upper - Conq, (spec. colour) (incl. Ref 5,11,12,13,14,15)	37	1	126-60	Vinyl Strip 1/2"x1/4"x37.5'
2	1	801-48BL	Body, Lower - Conq, (spec. colour)	38	4	120-05	Washer .19x.50x.04 Zc
3	1	127-28	Plug, Nylon - Black	39	6	100-16	Clip, Hitch Pin 1.625 Zc
4	1	801-05	Bumper, Vinyl - 8x8	40	2	100-18	Plug, Drain 5/8"x13/32"
5	1	602-34	Hood Kit - Conq, (spec. colour) (incl. 7,8,9,10,81,82,83,84)	41	32	120-28	Collar, Magna Grip
7	1	602-38	Clip, Hood	43	32	120-27	Pin, Magna Grip
8	23	120-13	Rivet 3/16x5/8 - Black	44	1	863-11	Skid Plate, 8x8 - Black
8b	63	120-09	Rivet 3/16x1 - Black	45	1	126-88	Bumper, Rubber
9	2	126-10	Wing Stud	47	4	103-61	HHCS 3/8-24x1.5 Gr5 Zc
10	2	126-09	Grommet, Alum.	48	4	117-24	Locknut, Nylon 3/8-24 Zc
11	1	602-24	Frame Asm, Hood	49	1	616-16	Hitch Assembly
12	2	120-15	Rivet 1/8x7/16	50	1		Vehicle ID Plate, Alum.
13	1	601-69	Spring Plate	51	1	126-65	Plate, Shifting
14	1	126-11	Spring	52	1	127-97	Plate, Caution - Keyswitch
15	2	103-72	Screw, IHWH T/C Slot 1/4-20x3/4	53	1	126-67	Plate, Floor Pan
16	1	602-29	Brace, Dash	54	1	126-68	Plate, Operation
17	1	601-08	Trim, Vinyl - 84"	55	1	126-69	Plate, Fuel
18	2	601-09	Trim, Vinyl - 28"	56	1	127-76	Plate, Cap. Land/Water
19	4	112-04	HHCS 1/4-20x3/4 Gr2 Zc	58	1		U.S. Plate, Non-U.S. Argos only
20	16	108-25	Washer .31x.75x.06 Zc	61	1	125-41	Handle, Dash (incl. 62)
21	4	108-03	Lockwasher 1/4	62	2		Plug Cap, (avail. only with 61)
22	4	801-41	Washer, Seat	63	3	117-10	Locknut, Nylon #10-24 Zc
23	4	126-79	Bumper, Plastic - Black	65	3	103-25	PHMS #10-24x3/4 Zinc
25	8	103-48	T/S Pan HD PHIL #10x5/8	66	1	125-84	Grommet, Rubber
26	26	120-24	Rivet, 3/32x3/8 Alum.(all plates)	67	2	127-01	Reflector, Red
27	4	117-44	T-Nut 1/4-20 Zinc	69	1	807-73	Screen, Intake - Conquest
28	2	127-27	Nameplate - Conquest	70	1	807-98	Screen, Exhaust - Conquest
28b	1	601-44	Nameplate - Argo	72	28	120-11	Rivet 5/32 x 9/16 - Black
29	1	801-03	Seat, Rear LH - 8x8	73	1	117-15	Nut, Fin Hex 3/8-16 Zinc
30	1	801-02	Seat, Rear RH - 8x8	74	1	602-27	Support, Adjustable
31	1	609-33	Firewall - Hydraulic Brakes	75	1	103-89	C/Bolt 3/8-16x3/4 Gr2 Zinc
32	1	803-02	Floor Pan - Front - (spec. colour)	76	1	108-06	Lockwasher 3/8
33	1	803-03	Floor Pan - Rear - (spec. colour)	78	1	616-19	Tube, Hitch
36	57	120-04	Washer .19x.50x.08 Zinc	79	1	104-13	Pin, Top Link
				80	1	104-11	Pin, Lynch
				81	2	127-45A	Pin, Hinge
				82	2	127-45B	Knuckle, Hinge
				83	8	103-47	HHCS 10-24x1/2
				84	8	108-59	Lockwasher #10 Int. Tooth Zinc



Ref.	Qty.	Part #	Description
1	1	806-00	Frame Asm - 8x8
2	2	606-24	Gasket - Bearing Extension
3	80	117-29	Locknut, Nylon 3/8-16 Zinc
4	16	108-46	Washer .40x1.37x.12 Hi-Carbon
5	12	101-35	Bearing, Ball - 1.25
5a	8	101-41	Bearing, Ball - 1.0
6	82	108-15	Washer, .42x.81x.05 Zinc
7	30	103-88	C/Bolt 3/8-16x1.0 Gr5 Zc
8	12	605-99	Gasket, Flange - Inner
9	16	605-89	Gasket, Flange - Outer
10a	20	605-63	Flange - 4 hole
10b	12	101-20	Flange, Greasable - 4 hole
11	8	102-14	Seal, Oil 1.25x1.75x0.188
12	8	102-15	Seal, Oil 1.25x1.874x0.25
13	8	605-97	Flange Asm, Outer (incl. Refs. 11 & 12)
14	16	112-39	C/Bolt 3/8-16x1.75 Gr5 Zc
15	16	112-134	C/Bolt 3/8-16 x 6 Gr2 Zc
16	4	810-52	Bearing Extension (uses Refs. 17 & 18)
17	24	108-34	Washer 7/16 SAE Zinc
18	24	103-81	HHCS 7/16-20x2.5 Gr5 Zc
19	5x8	103-80	Stud, Wheel 7/16-20x1.125 #B271
20	4	810-73	Axle Asm - Front/Rear (incl. Ref. 19)
21	4	810-75	Axle Asm - Mid (incl. Ref. 19)
22	2	810-32	Shaft, Idler - 11T
23	1	604-84	Frame Asm, Battery
24	6	810-28	Sprocket, Double - 24T
25	8	606-34	Sprocket, S60x19T
26	10	112-03	SHSS 5/16-18x3/8 1/2 DOG, PL
27	2	803-17	Chain, Idler RC50-2x40P (incl. Ref. 53)
28	4	117-64	Insert, 1/4-20
29	12	112-31	HHCS 3/8-16x1.0 2B Gr8 Zc
30	2	112-14	HHCS 3/8-16x.75 Gr5 Zc
31	1	108-15	Washer 3/8 SAE Zc
32	2	103-82	HHCS 3/8-16x1.5 Gr5 Zc
33	4	112-61	C/Bolt 3/8-16 x 1.25 Gr5 Zc
34	2	120-15	Rivet 1/8x7/16
35	1	126-11	Spring
36		127-80	Link, Half - RC60 - 1 (opt.)
43	2	603-17	Chain, RC50-2 x 42P-Front (incl. Ref. 53)
44	2	603-20	Chain, RC50-2 x 70P-Mid (incl. Ref. 53)
45	4	603-93	Chain, RC60-1 x 84P-Rear (incl. Ref. 54)
46	5x8	117-35	Nut, Wheel 7/16-20 Zc
47	8	125-26	Valve, Tire
48	8	125-13C	Rim - Charcoal
49	8	126-96	Tire, Goodyear Runamuk 22x10-8
52	6	100-01	Pin, Cotter 1/8x1.50 Zc
53	1x6	100-96	Con. Link, RC50-2 H.D.
54	1x4	603-84	Con. Link, RC60-1 H.D.
55	6	127-65	Spring Torsion - 1.16x0.35
56	6	606-39	Slider Block - 1/2" Shaft
57	6	606-35	Tensioner Asm, Chain
58	6	127-64	Spring, Torsion - .76x1.9
59	2	606-41	Slide, Chain - 2"
60	4	606-42	Slide, Chain - 1.25"
61		603-95	Spring Clip - RC 50 Closed
62		603-96	Spring Clip - RC 60 Closed
63	2	107-10	Retaining Ring, Sh-0125-PA

8.0 Fuel System & Seat Assembly Conquest Parts Manual

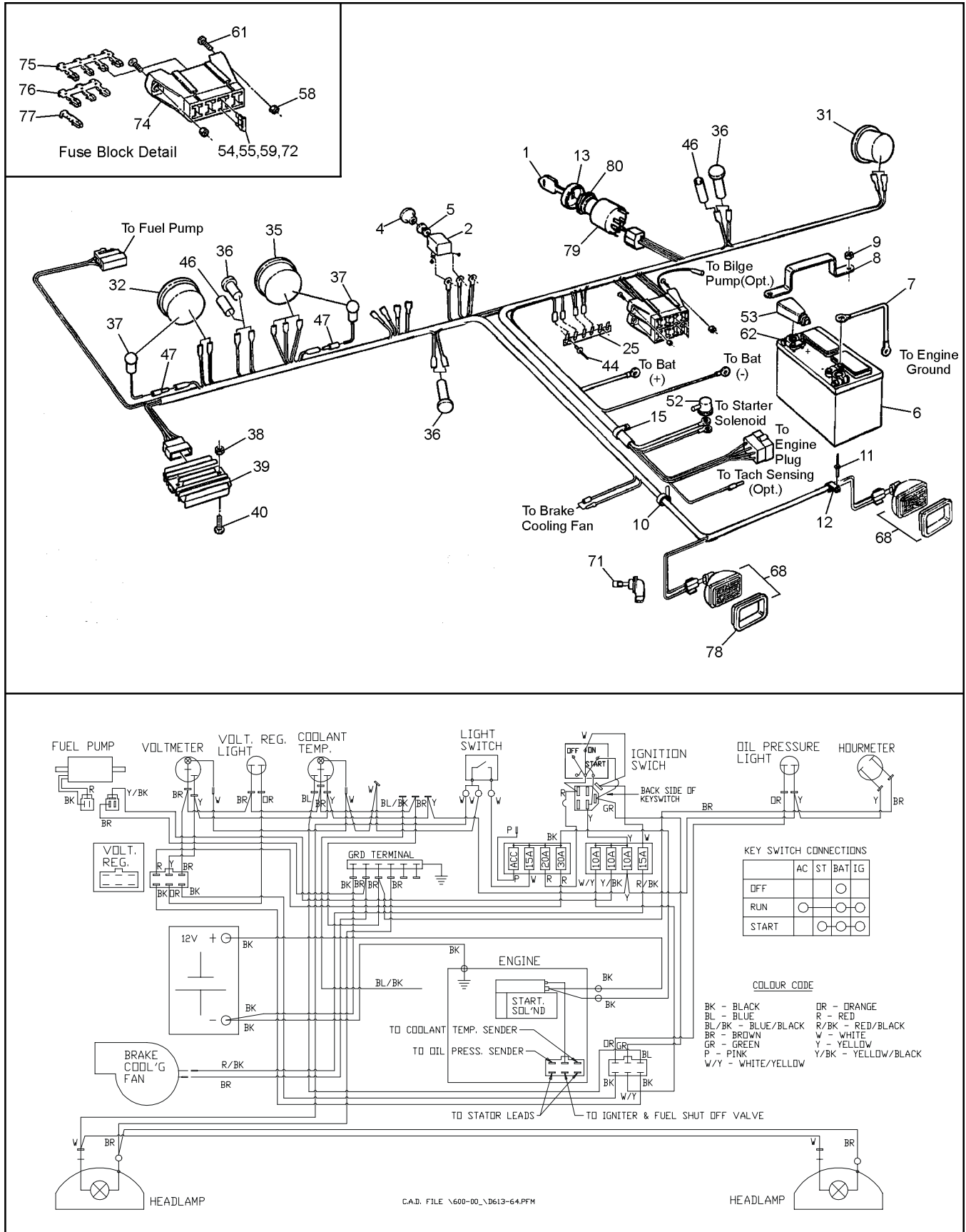


Conquest Parts Manual 8.0 Fuel System & Seat Assembly

Ref.	Qty.	Part #	Description
1	1	803-50	Handrail Assembly
2	4	108-03	Lockwasher 1/4
3	6	112-41	PHMS, PHIL 1/4-20x1.25 Zinc
4	1	608-39	Back Pad Asm
5	1	608-43	Seat, Bench
6	1	608-30	Angle, Left
7	1	608-31	Angle, Right
9	6	112-04	HHCS 1/4-20x3/4 Gr2 Zc
10	6	108-03	Lockwasher 1/4
13	1	804-17	Frame Asm, Seat
15	2	112-78	Clamp, Hose, 9/16" - Black
16	2	120-04	Washer .19x.50x.08 Zinc
17	1	608-32	Tool Box
18	1	608-28	Pickup Assembly, Fuel (See Ref. 19)
19	1	608-24	Tank, Fuel - 32 litre (incl. Ref. 18)
20	4	112-79	Clamp, Hose, 1/2" - Black
21	1	608-42	Fuel Hose - 110"
22	1	125-64	Fuel Filter
23	2	100-12	Clamp, Gear 2.25" HF-36
24	1	125-94	Hose, Filler
25	1	126-47	Neck Asm, Fuel
26	1	126-46	Cap, Fuel
27	1	127-21	Hose, Vent - 86"
28	1	126-50	Male Connector, 1/4"
29	5	126-94	Clamp, Nylon Wire - 1/4"ID
30	6	112-04	HHCS 1/4-20x3/4 Gr2 Zc
31	12	117-10	Locknut, Nylon #10-24 Zc
33	3	126-93	Clamp, Nylon Wire - 1/2"ID
34	4	108-08	Washer .28x.62x.04 Zinc
35	8	120-09	Rivet 3/16x1 - Black
37	4	702-06	Foam Cushion
38	1	117-54	Nut, Locking PAL 1/2-20 Zc
39	12	112-07	RHMS 10-24x1.25 Zc
40	12	108-42	Washer .21x1.0x.06 Zinc
41	1	49040-2065	Pump, Fuel
43	2	117-27	Locknut, Nylon 1/4-20 Zc

9.0 Electrical System

Conquest Parts Manual



Ref.	Qty.	Part #	Description
1	2	127-108	Key, Molded
2	1	100-62	Switch, Light
3	1	613-64	Wire Harness - Conquest (incl. Fuse Holders)
4	1	126-76	Knob, Light
5	1	108-55	Lockwasher 7/16 External Tooth
6	1	127-54	Battery, Exide 45-50
7	1	613-14	Wire, Ground - 14"
8	1	604-52	Bracket, Battery Retaining
9	2	117-21	Locknut, Nylon 5/16-18 Zc
10	8	100-64	Tie Wrap, 5.5" - Black
11	6	120-13	Rivet 3/16x5/8 - Black
11a	10	120-09	Rivet 3/16x1 - Black
12	16	126-93	Clamp, Nylon Wire-1/2" ID
13	1	127-107	Cover, Nut
15	5	127-24	Clamp, Nylon - 1" ID
25	1	613-37	Terminal Strip, Ground
31	1	632-15	Hourmeter
32	1	633-10	Voltmeter
35	1	634-22	Gauge, Water Temperature
36	3	634-08	Light, Indicator
37	2	634-10	Light Kit, #06215-00
38	2	117-27	Locknut, Nylon 1/4-20 Zc
39	1	21066-2070	Regulator, Voltage
40	2	103-63	PHMS, PHIL 1/4-20x1.0 Zc
44	2	120-15	Rivet 1/8x7/16
46	2	118-48	Heat Shrink, 2 x 1/2
47	2	118-02	Terminal, Male #76-1251
52	1	613-46	Terminal Insulator (2 ga.)
53	1	127-55	Cap, Battery Terminal
54	1	118-53	Fuse, 20A 2 prong (AT020)
55	2	118-49	Fuse, 15A 2 prong (AT015)
58	4	117-10	Locknut, Nylon #10-24 Zc
59	3	118-52	Fuse, 10A 2 prong (AT010)
61	4	103-25	PHMS #10-24x3/4 Zc
62	2	127-56	Terminal, Battery Post
68	2	613-62	Headlamp Asm (incl. Refs. 71 & 78)
71	2	127-46	Bulb, Headlight - Halogen
72	1	118-51	Fuse, 30A 2 prong (AT030)
74	2	118-60	Block - Fuse, 8 position (4 fuse)
75	1	118-61	Terminal - Fuse, quad
76	1	118-63	Terminal - Fuse, triple
77	9	118-62	Terminal - Fuse, single
78	2	613-62RB	Bezel, Rubber Headlamp
79	1	127-105	Switch, Ignition
80	1	127-106	Nut, flanged, plastic

***ARGO* Products Manufactured by:**

Ontario Drive & Gear Limited

P.O. Box 280, 220 Bergey Court
New Hamburg, Ontario
Canada N0B 2G0
Phone: (519) 662-2840
Fax: (519) 662-2421

ODG *Dedicated to quality and performance*