

Argo 8x8 ***Frontier***



Argo 8x8

2018 PARTS MANUAL

Frontier 8x8 S LE
(from Serial # 41791)

Scout 8x8 S
(from Serial # 41791)

(26 HP Engine w/Classic Transmission)

** For factory installed accessory parts included with your vehicle see Accessories Manual 677-01 (2018)*

Foreword

ODG has prepared this parts manual for the 8x8 FRONTIER model to assist both qualified mechanics and vehicle owners in ordering correct, quality replacement ARGO parts. For the most current parts manual visit our website at www.argoxtv.com .

Proper and regular service, and replacing old, worn or broken parts with the correct ARGO replacement parts, are both essential to prolonging the life of the ARGO. Please refer to this parts manual and/or our website www.argoxtv.com before ordering any replacement part.

All information contained in this 8x8 FRONTIER Parts Manual is based on the latest product specification available at time of printing. If your 8x8 FRONTIER differs from the specifications contained in this manual, check our website www.argoxtv.com for the most current information.

ODG reserves the right to alter specifications on the 8x8 FRONTIER model at any time, without obligation or prior notification.

Reproduction of this 8x8 FRONTIER Parts Manual, in whole or in part, is prohibited without prior written permission from Ontario Drive & Gear Limited.

Vehicle Identification

8x8 FRONTIER - Serial Nos. last 5 digits of V.I.N.

Explanation of Parts Manual Format

| | |
|--------------------|--|
| Ref | - Reference number between assembly diagram and component parts list |
| Part No. | - Argo replacement part number for identification and re-ordering |
| Description | - Part description for identification and re-ordering |
| Qty | - Indicates the quantity of a part used in an assembly |

Argo 8x8 Frontier



Using the Parts Manual

1. Find the major vehicle assembly in the Table of Contents on this page, and turn to that section.
2. Locate the part in the illustration that you wish to order.
3. Refer to the parts list in that section.
4. Find the correct part number (Part No.), part description (Description) and correct quantity (Qty).
5. Use *only* this information to order ARGO replacement parts. **DO NOT** attempt to order a replacement part by reference number or page number.

Table of Contents

| | |
|---------------------------------------|----|
| Foreword | i |
| Vehicle Identification..... | i |
| Using the Parts Manual | ii |
| 1.0 Transmission | 2 |
| 2.0 Intake and Exhaust System..... | 4 |
| 3.0 Clutch System | 6 |
| 4.0 Power Pack Assembly | 8 |
| 5.0 Steering & Brake System | 10 |
| 6.0 Parking Brake | 12 |
| 7.0 Vehicle Body & Firewall..... | 14 |
| 8.0 Frame & Drive System | 16 |
| 9.0 Fuel System & Seat Assembly | 18 |
| 10.0 Electrical System..... | 20 |



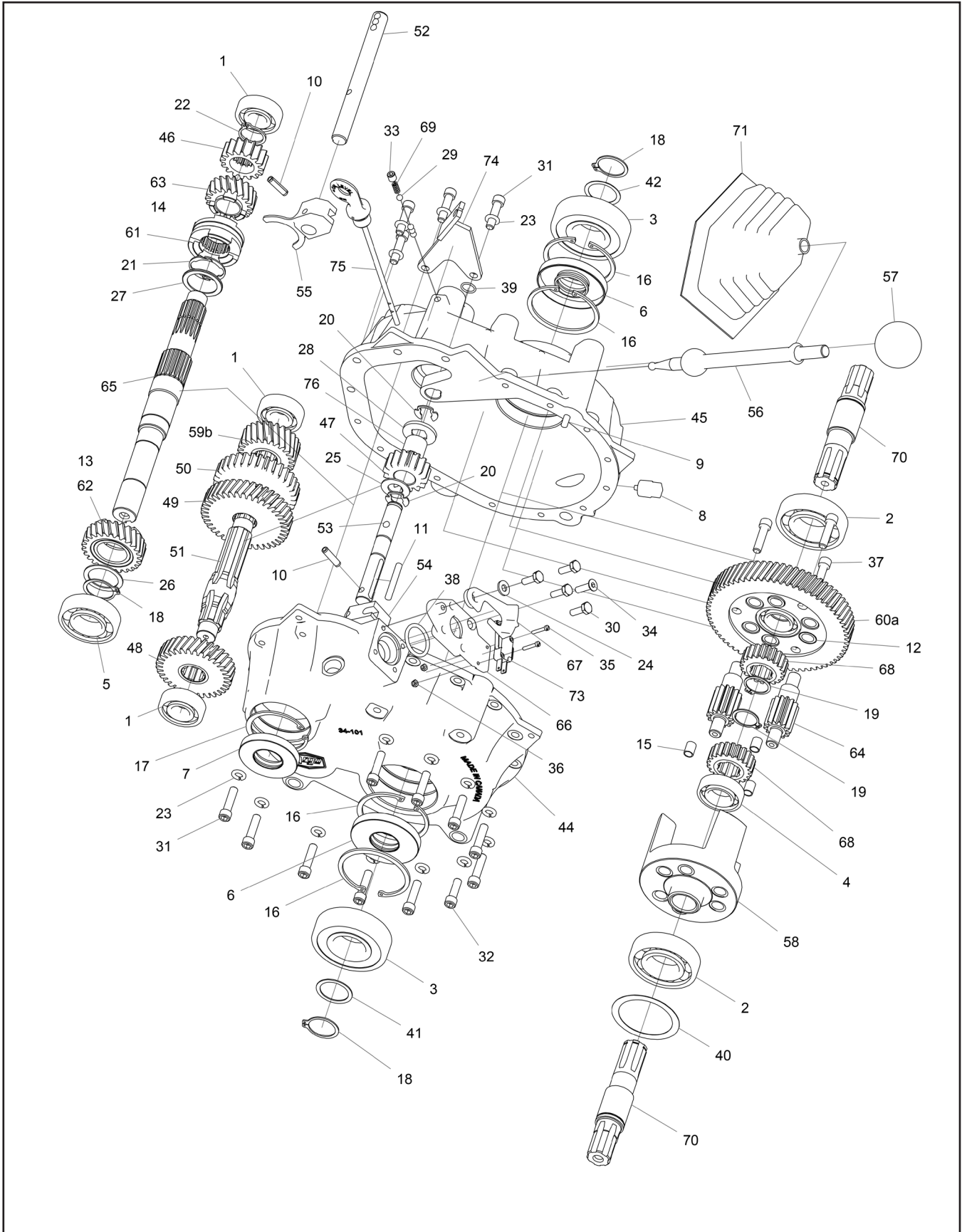
Frontier 8x8 S LE w/DELUXE SEAT option & green body



***Avenger 8x8 Huntmaster
w/ PREMIUM SEAT option & break up camo body***

1.0 Transmission

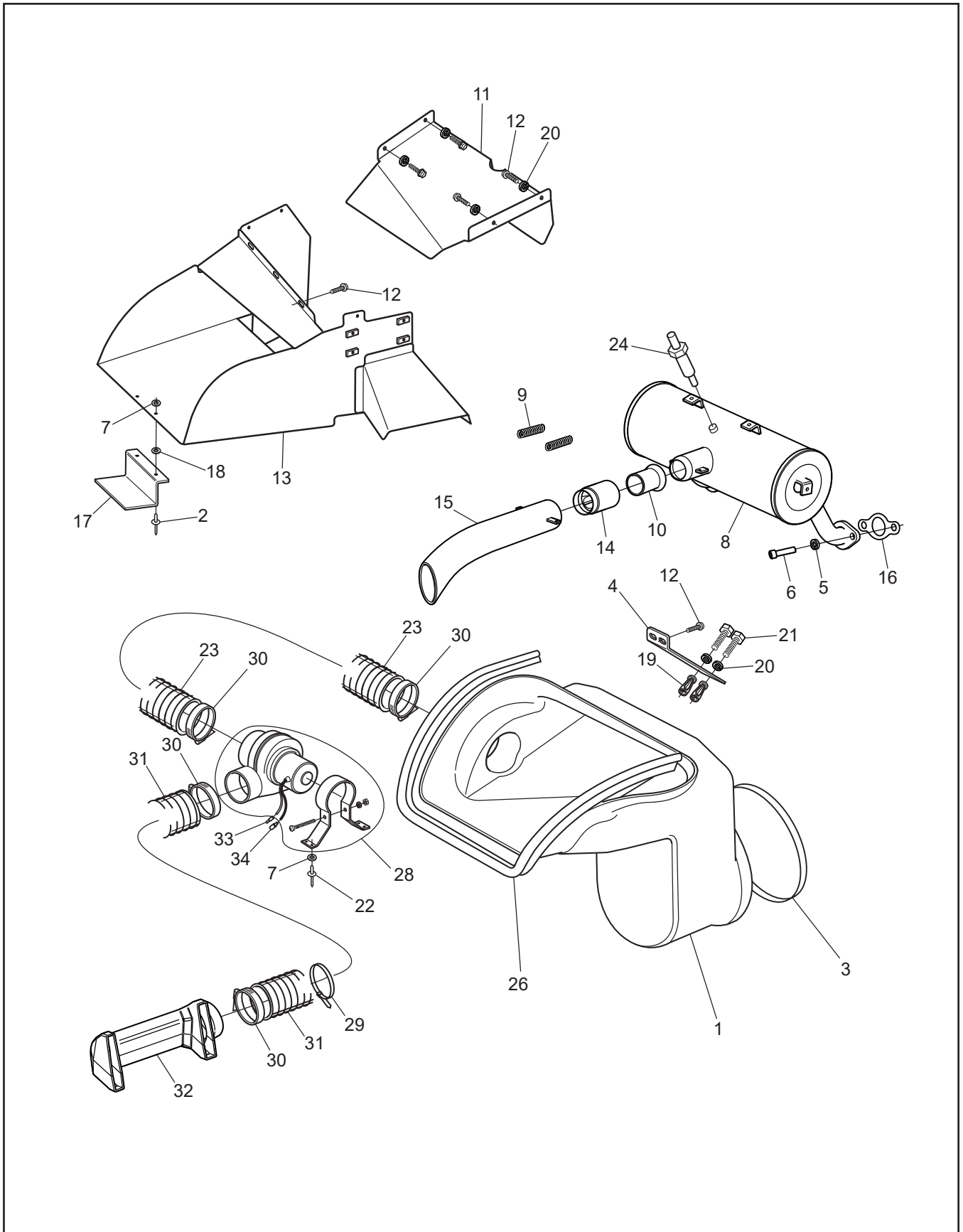
Frontier 8x8 Parts Manual



Frontier 8x8 Parts Manual

1.0 Transmission

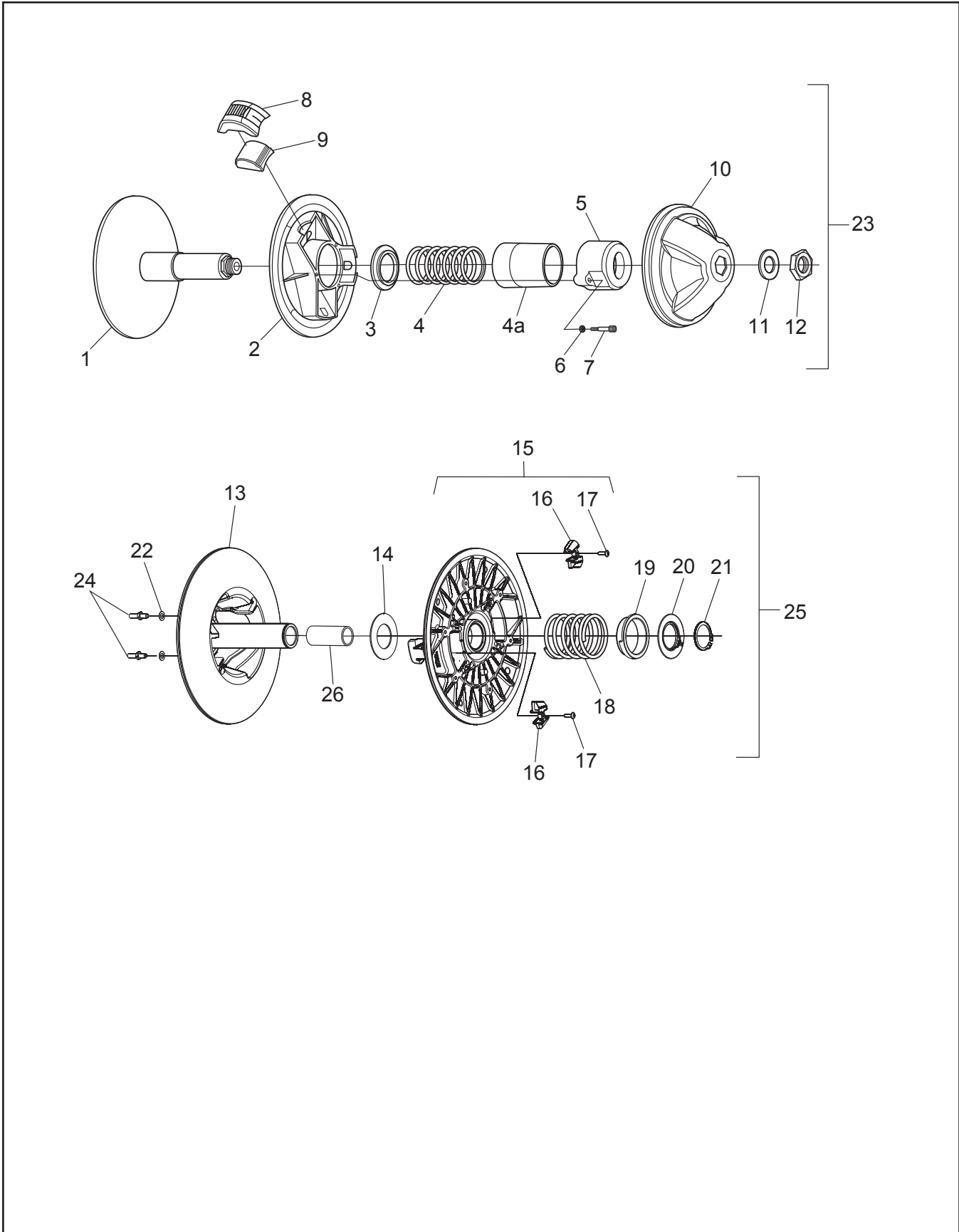
| Ref. | Qty. | Part # | Description | Ref. | Qty. | Part # | Description |
|------|------|------------|--|------|------|---------|-------------------------------|
| | 1 | 34-100 | Transmission Assembly | 37 | 3 | 112-64 | SHCS 5/16-18x1.25 |
| | 1 | 34-100-3.3 | Transmission Assy-3.3 Ratio | 38 | 1 | 113-11 | O-RING #AS568-216-70BN |
| 1 | 3 | 101-01 | BEARING, BALL 6204Z-C3 | 39 | 1 | 113-16 | O-RING #AS568-014-70BN |
| 2 | 2 | 101-03 | Bearing, Ball 6207-C3 | 40 | 1 | 114-01 | WASHER, SHIM |
| 3 | 2 | 101-05 | BEARING, SING BALL6306L LU-C3/2A | 41 | 1 | 114-04 | Washer,Shim 1.19x1.50x.04 |
| 4 | 2 | 101-15 | Bearing, Ball 6005-C3 | 42 | 1 | 114-05 | Washer,Shim 1.19x1.50x.02 |
| 5 | 1 | 101-16 | Bearing, Ball 6206-C3 | 43 | 1.1L | 125-99 | TRANSMISSION OIL |
| 6 | 2 | 102-03 | SEAL,OIL WBS 30x72x10 NB D/LIP | 44 | 1 | 34-101 | Housing, Left Trans.-Mach. |
| 7 | 1 | 102-05 | SEAL,OIL WBS 30x62x10 NB D/LIP | 45 | 1 | 34-102 | Housing, Right Trans-Mach. |
| 8 | 1 | 103-02 | PLUG, MAGNETIC 3/8-18NPT SQ.HD | 46 | 1 | 34-107 | Pinion, Reverse - 16T |
| 9 | 2 | 104-03 | PIN, DOWEL 1/4x7/8 | 47 | 1 | 34-108 | Idler, Reverse - 16T |
| 10 | 2 | 104-39 | Pin, Spring - 1/4 x1.0 | 48 | 1 | 34-109 | Gear, High - 33T |
| 11 | 1 | 104-40 | PIN, DOWEL - 1/4 x 1.75 | 49 | 1 | 34-110 | Gear, Low - 39T |
| 12 | 12 | 105-03 | OILITE BUSHING | 50 | 1 | 34-111 | Gear, Reverse - 33T |
| 13 | 1 | 105-20 | Bushing, Oilite 1.25x1.5x.625 (PART OF 34-128) | 51 | 1 | 34-112 | SHAFT, SPLINED |
| 14 | 1 | 105-21 | Bushing, Oilite 1.0x1.125x.875 (PART OF 34-129) | 52 | 1 | 34-113 | Shaft, Shift - Forward |
| 15 | 3 | 105-23 | BUSHING, DOWEL - .312 x .5 | 53 | 1 | 34-114 | Shaft, Shift - Reverse |
| 16 | 4 | 106-03 | RETAINING RING HO-281PA | 54 | 1 | 34-115 | Block, Shift |
| 17 | 1 | 106-05 | RETAINING RING HO-244-PA | 55 | 1 | 34-116 | FORK, SHIFT - MACH. |
| 18 | 3 | 107-02 | RETAINING RING SH-0118-PA | 56 | 1 | 34-117 | LEVER, SHIFT |
| 19 | 2 | 107-04 | RETAINING RING SH-0098-PA | 57 | 1 | 34-344 | KNOB, SHIFT - PLAIN |
| 20 | 2 | 107-11 | RETAINING RING PO-0062-PA | 58 | 1 | 34-122 | CAGE, DIFFERENTIAL |
| 21 | 2 | 107-14 | RETAINING, Ring LC-0125-PA | 59a | 1 | 34-125 | Pinion, Helical - 21T |
| 22 | 1 | 107-15 | RETAINING RING SHR-98-PA | 59b | 1 | 34-123 | Pinion, Helical - 25T |
| 23 | 15 | 108-05 | Lockwasher 5/16 Split-Ring | 60a | 1 | 34-124 | GEAR PLATE - 66T |
| 24 | 1 | 108-08 | WASHER .28x.62x.07 | 60b | 1 | 34-126 | GEAR PLATE - 70T |
| 25 | 1 | 108-78 | Washer, Thrust .63x1.19x .063 | 61 | 1 | 34-127 | Clutch, Dog |
| 26 | 1 | 108-79 | Washer, Thrust 1.25x1.63x.050 | 62 | 1 | 34-128 | Pinion, High - 26T |
| 27 | 1 | 108-85 | Washer, Retaining Thrust | 63 | 1 | 34-129 | Pinion, Low - 20T |
| 28 | 1 | 108-88 | Washer, Retaining Thrust | 64 | 6 | 34-13 | GEAR, PLANET - 12T |
| 29 | 5 | 109-05 | BALL, STEEL 6mm 62-67 Rc | 65 | 1 | 34-130 | Shaft, Input-19/15T SPLINE |
| 30 | 4 | 112-04 | HHCS 1/4-20 x 3/4 GR2 zinc | 66 | 1 | 34-131 | Plate, Shifter/Neutral Start |
| 31 | 14 | 112-143 | SHCS 5/16 x 1.25 zinc | 67 | 1 | 34-132 | Follower, Neutral Start |
| 32 | 1 | 112-144 | SHCS 5/16 x 1.0 zinc | 68 | 2 | 34-14 | SUN GEAR |
| 33 | 1 | 112-145 | SHSS 5/16-18 x 3/8 | 69 | 2 | 34-32 | SPRING, COMP. 0.22x.50 |
| 34 | 1 | 112-171 | FHSC 1/4-20 x 3/4 GR2 ZN | 70 | 2 | 34-98 | SHAFT, OUTPUT |
| 35 | 2 | 112-172 | SHMS, #5-40x3/4, ZN | 71 | 1 | 609-38 | Boot, Shifter |
| 36 | 2 | 112-173 | LOCKNUT, #5-40, ZN | 72 | 1 | 613-112 | Wire Harness,Neutral Safety |
| | | | | 73 | 1 | 809-202 | SWITCH, LIMIT - 2 POLE |
| | | | | 74 | 1 | 850-72 | Bracket, Park Brake Cable |
| | | | | 75 | 1 | CE-035 | Dipstick w/Breather |
| | | | | 76 | 1 | 101-06 | Bearing Needle,Timken BH-1012 |



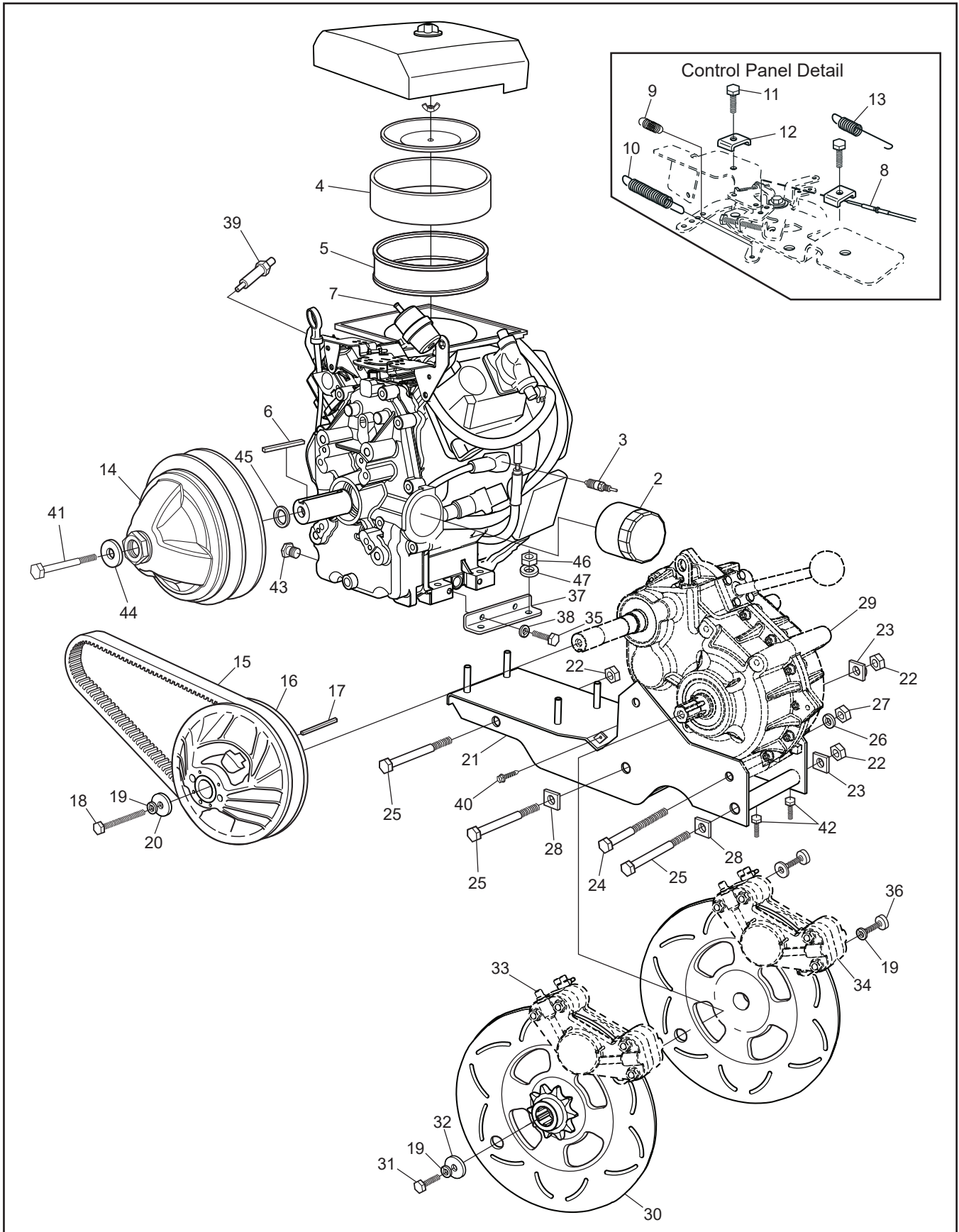
| Ref. | Qty. | Part # | Description |
|------|------|-----------|--|
| 1 | 1 | 809-15 | Duct, Intake - Frontier |
| 2 | 2 | 120-13 | Rivet, 3/16 x 3/4" Black |
| 3 | 1 | 807-77-30 | Seal, Radiator, 30 |
| 4 | 1 | 707-55 | Bracket, Intake Duct - Frontier EFI |
| 5 | 4 | 108-02 | Lockwasher 5/16 Hi-Collar Bare |
| 6 | 4 | 112-30 | SHCS M8x1,25 x 20 mm |
| 7 | 4 | 120-04 | Washer, .19 x .50 x .08 Zn |
| 8 | 1 | 607-121 | Muffler Ass'y, Avenger EFI |
| 9 | 2 | 127-187 | Spring, Extension - 17/32 x 3.75 |
| 10 | 1 | 607-135 | Tube, Muffler, Flared x 2.0 |
| 11 | 1 | 607-210 | Shield, Heat, Frontier EFI |
| 12 | 9 | 112-19 | Screw, IHWH T/C Slot 1/4-20 x 1/2 |
| 13 | 1 | 607-164 | Duct, Exhaust - Frontier |
| 14 | 1 | 607-171 | Spark Arrester - ODG |
| 15 | 1 | 607-134 | Pipe, Tail Asy |
| 16 | 2 | 24 041 49 | Gasket, Exhaust Manifold |
| 17 | 1 | 707-45 | Support, Exhaust Duct |
| 18 | 2 | 125-58 | Washer, Fibre - W-77F |
| 19 | 2 | 117-53 | Nut, Jack 1/4-20 8L-JNS Zn |
| 20 | 6 | 108-03 | Lockwasher 1/4 Split Ring Zn |
| 21 | 2 | 103-97 | HHCS 1/4-20 x 1.25 Gr5 Zn |
| 22 | 4 | 120-09 | Rivet, 3/16 x 1.0 Black |
| 23 | 1 | 127-140 | Hose, Brake Fan Inlet |
| 24 | 1 | | See Section 4.0 Power Pack Assembly |
| 26 | 1 | 807-77-56 | Seal, Radiator, 56" |
| 28 | 1 | 127-184 | Blower Fan |
| 29 | 1 | 100-102 | Tie Wrap, 14" - White |
| 30 | 4 | 125-35 | Clamp, Gear 3.50" HF-52 |
| 31 | 1 | 127-139 | Hose, Brake Fan Discharge |
| 32 | 1 | 127-134 | Duct, Brake Cooling |
| 33 | 1 | 118-02 | Terminal, Male #76-1251 |
| 34 | 1 | 118-03 | Terminal, Female #76-1289 |

3.0 Clutch System

Frontier 8x8 Parts Manual



| Ref. | Qty. | Part # | Description |
|------|------|-----------|--|
| 1 | 1 | 0405-0138 | Flange, Fixed |
| 2 | 1 | 0410-0033 | Flange, Sliding |
| 3 | 1 | 0150-1014 | Spring Guide Washer |
| 4 | 1 | 1151-1114 | Spring |
| 4a | 1 | 0450-3002 | Guide, Spring |
| 5 | 1 | 0440-0005 | Spring Cover |
| 6 | 3 | 0080-0167 | Lockwasher |
| 7 | 3 | 0080-0021 | Screw, Cap |
| 8 | 3 | 0130-3012 | Block |
| 9 | 3 | 0135-3065 | Weight (275gr) |
| | 1 | 127-208 | Weight Set (3), 185g - High Elevation (See Bulletin NP #5) |
| | 1 | 127-209 | Weight Set (3), 220g - High Elevation (See Bulletin NP #5) |
| | 1 | 127-210 | Weight Set (3), 240g - High Elevation (See Bulletin NP #5) |
| | 3 | 0135-3061 | Weight (230gr) - Scout Trim Package |
| 10 | 1 | 0115-2061 | Cap |
| 11 | 1 | 0080-0804 | Washer, Zn |
| 12 | 1 | V16J1 | Nut |
| 13 | 1 | 5905-0003 | Flange, Fixed |
| 14 | 1 | 0080-0164 | Washer, Shim |
| 15 | 1 | 5910-0002 | Flange, Sliding |
| 16 | 2 | 5930-3001 | Cam Shoe |
| 17 | 2 | 0080-0031 | Screw |
| 18 | 1 | 5951-1009 | Spring |
| 19 | 1 | 5950-3003 | Spring Protector |
| 20 | 1 | 5950-3002 | Spring Support |
| 21 | 1 | 0080-0216 | Retaining Ring, Outside |
| 22 | 2 | 0080-0167 | Lockwasher |
| 23 | 1 | 610-128 | Clutch, Driver - EFI |
| 24 | 2 | 0080-0035 | Screw & Nut Ass'y |
| 25 | 1 | 127-156 | Clutch, Driven - INVANCE |
| 26 | 1 | 5940-2001 | Keyway Stopper |



Frontier 8x8 Parts Manual

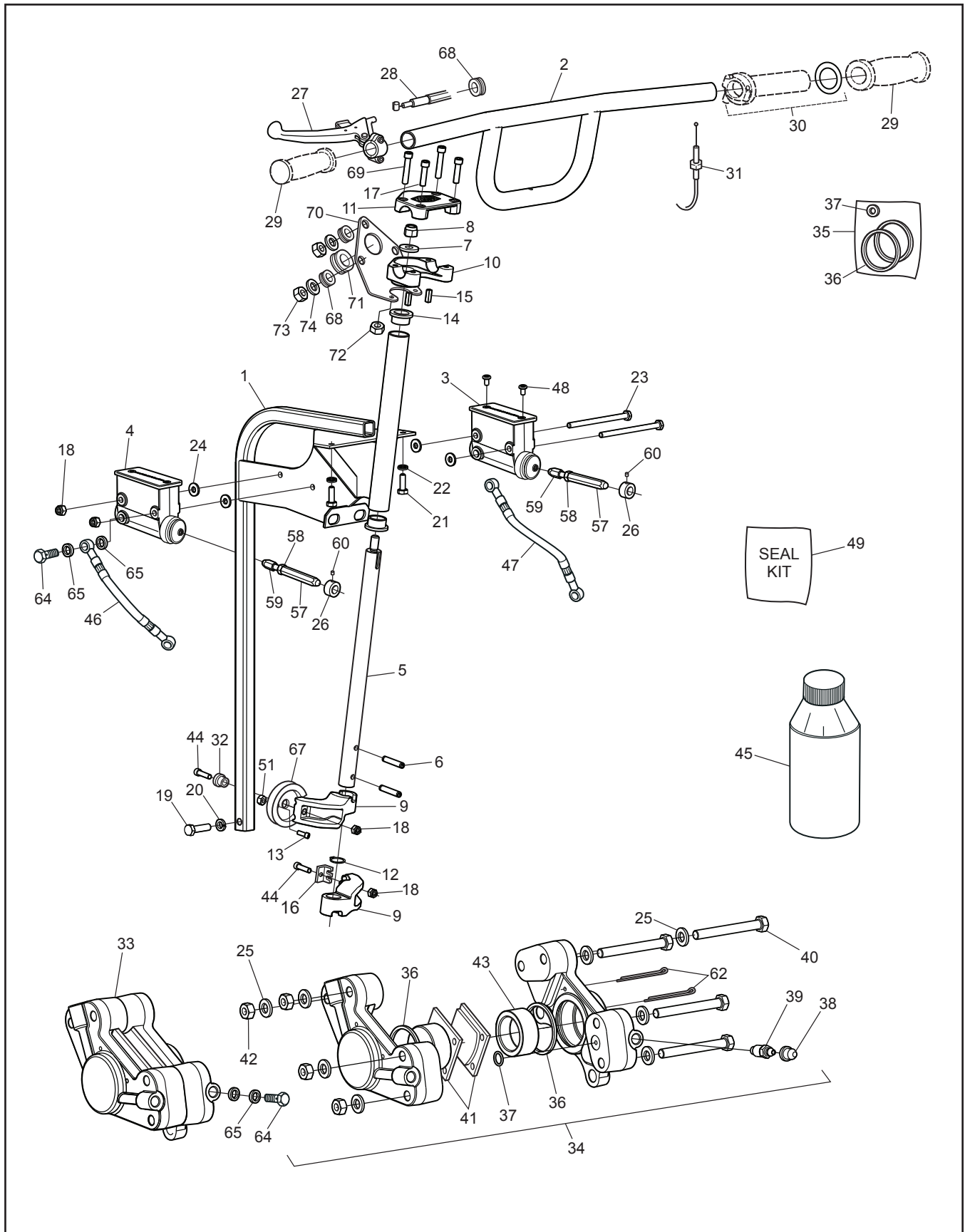
4.0 Power Pack Assembly

| Ref. | Qty. | Part # | Description |
|------|------|-----------|---|
| 1 | 1 | ECH749 | Engine, Kohler 26HP EFI |
| 2 | 1 | 12 050 01 | Filter, Oil - Kohler |
| 3 | 2 | 25 132 12 | Sparkplug 3071 |
| 4 | 1 | 24 083 05 | Prefilter, Air ECH730 |
| 5 | 1 | 24 083 03 | Filter, Air ECH730 |
| 6 | 1 | 110-18 | Key 1/4 x 1/4 x 1.75 RC45 |
| 7 | 1 | 25 050 42 | Filter, Fuel |
| 8 | 1 | 612-101 | Cable Asm, Throttle- FRN/AVG |
| 9 | 1 | 24 089 51 | Spring, Throttle |
| 10 | 1 | 24 089 47 | Spring, Governor |
| 11 | 1 | M-545016 | Screw |
| 12 | 1 | 12 237 01 | Clamp, Cable |
| 13 | 1 | 127-49 | Spring, Extension - .375 x 2.55 |
| 14 | | | See Section 3.0 Clutch System |
| 15 | 1 | 127-159 | Drive Belt - Frontier - 11.3" Cen. Dist |
| | 1 | 127-159HD | Drive Belt -Frontier -Heavy Duty (Opt.) |
| 16 | | | See Section 3.0 Clutch System |
| 17 | 1 | 110-03 | Key 1/4 x 3/16 x 2.375 RC46 |
| 18 | 1 | 112-164 | HHCS 3/8-16 x 3.50 Gr5 |
| 19 | 7 | 108-06 | Lockwasher 3/8 Split Ring |
| 20 | 1 | 108-46 | Washer .40 x 1.37 x 1.2 Hi-Carbon |
| 21 | 1 | 610-131 | Frame, Power Pack FR EFI |
| 22 | 3 | 117-83 | Locknut, Stover 5/8-11 |
| 23 | 2 | 811-09 | Washer, Square - .64 ID |
| 24 | 2 | 103-20 | HHCS 1/2-13 x 6.5 Gr5 |
| 25 | 3 | 112-58 | HHCS 5/8-11 x 7.5 Gr5 |
| 26 | 2 | 108-107 | Lockwasher 1/2" High Alloy |
| 27 | 2 | 117-06 | Nut, Fin Hex 1/2-13 |
| 28 | 2 | 811-15 | Washer, Square Lock .64 ID |
| 29 | | | See Section 1.0 Transmission |
| 30 | 2 | 606-74 | Disc, Brake-Splined #60-10T |
| 31 | 2 | 103-18 | HHCS 3/8-24 x 1.25 Gr5 |
| 32 | 2 | 108-18 | Washer .40 x 1.37 x .12 |

| Ref. | Qty. | Part # | Description |
|------|------|-----------|--|
| 33 | | | See Section 5.0 Steering & Brake System |
| 34 | | | See Section 5.0 Steering & Brake System |
| 35 | 2 | 112-20 | HHCS M8x1,25x25mm |
| 36 | 4 | 103-41 | SHCS 3/8-16 x 1.25 |
| 37 | 1 | 610-134 | Brkt, Powerpack - Side Mnt |
| 38 | 2 | 108-05 | Lockwasher 5/16 Split-Ring |
| 39 | 1 | 25 418 07 | Sensor, Oxygen 4 Wire |
| 40 | 2 | 103-71 | Screw, IHWH T/C 1/4-20 x 1.25 |
| 41 | 1 | 112-160 | HHCS, 7/16-20 x 5" Lg |
| 42 | 2 | 103-53 | HHCS 3/8-16 x 3.0 Full Thread |
| 43 | 1 | 112-156 | Plug, Oil Drain 3/8-18NPT Hex |
| 44 | 1 | 108-58 | Washer .47 x 1.37 x .12 Hi-Carbon |
| 45 | 1 | 108-84 | Washer, Engine, Clutch |
| 46 | 4 | 117-29 | Locknut, Nylon 3/8-16 |
| 47 | 4 | 108-15 | Washer, .42 x .81 x .05 |

5.0 Steering & Brake System

Frontier 8x8 Parts Manual



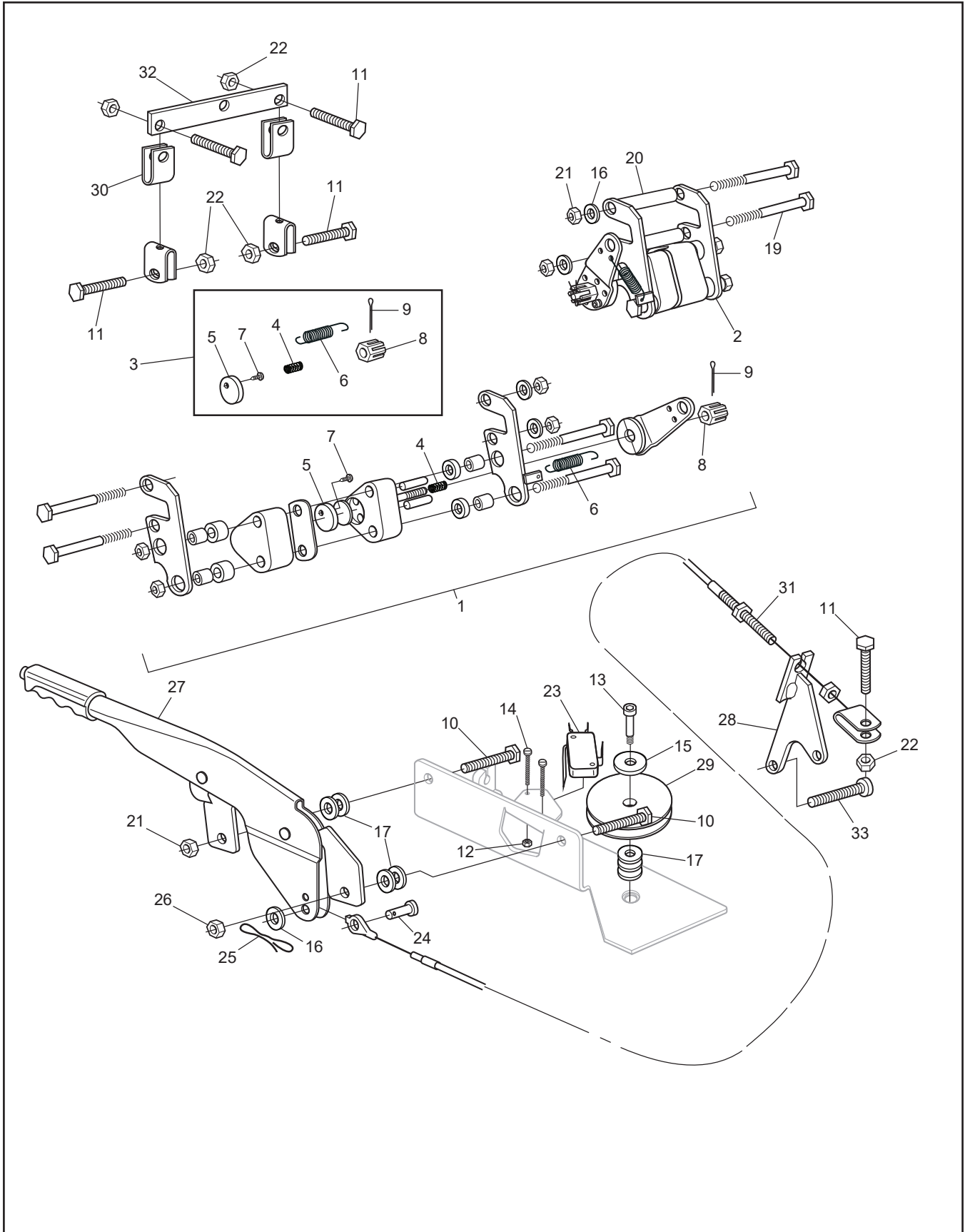
Frontier 8x8 Parts Manual

5.0 Steering & Brake System

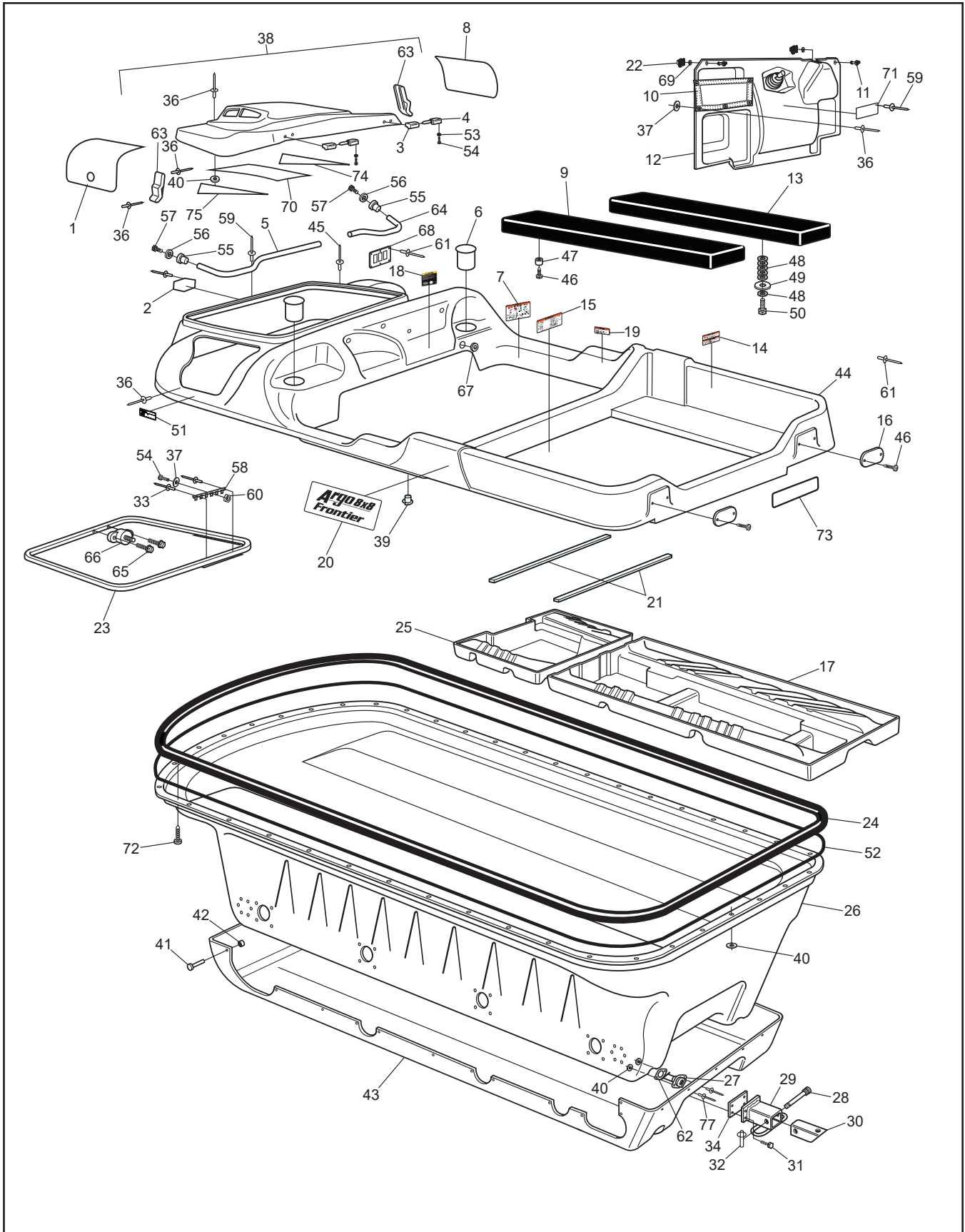
| Ref. | Qty. | Part # | Description | Ref. | Qty. | Part # | Description |
|------|------|---------|-----------------------------------|------|------|---------|------------------------------------|
| 1 | 1 | 612-123 | Frame Assembly, Steering Column | 45 | | 126-19 | Fluid, Brake-Silicon Dot 5 - .35L |
| 2 | 1 | 612-107 | Handlebar Assembly | 46 | 1 | 163-06 | Hose Asm, Hydraulic - Right - SS |
| 3 | 1 | 165-58 | Master Cylinder, RH Wilwood | 47 | 1 | 163-05 | Hose Asm, Hydraulic - Left |
| 4 | 1 | 165-57 | Master Cylinder, LH Wilwood | 48 | 2x2 | 160-42 | Screw, FHMS M5 x 0,8 x 6mm |
| 5 | 1 | 612-128 | Shaft, Steering - Avenger | 49 | 1 | 165-37 | Piston Seal Kit - Wilwood |
| 6 | 2 | 104-42 | Pin, Spring 1/4 x 1.5" | 51 | 1 | 117-10 | Locknut, 10-24 N/I |
| 7 | 1 | 108-47 | Washer, .39 x .94 x .13 | 57 | 2 | 812-30 | Pin, Female |
| 8 | 1 | 117-29 | Locknut, Nylon 3/8-16 | 58 | 2 | 117-03 | Nut, Fin Hex 1/4-20 |
| 9 | 2 | 612-124 | Arm, Steering | 59 | 2 | 812-31 | Pin, Male |
| 10 | 1 | 612-106 | Clamp, Lower Handlebar | 60 | 2 | 112-02 | SHSS 10-24x1/4 Knurl Cup PT, PL |
| 11 | 1 | 612-105 | Clamp, Upper Handlebar | 62 | 2x2 | 168-07 | Pin, Cotter 1/8 x 3.00 |
| 12 | 1 | 106-07 | Ring, Retaining SH-0075PA | 64 | 4 | 160-44 | Bolt, Banjo - M10 x 1,0 x 21,0 |
| 13 | 1 | 160-46 | SHCS, #10-24 x 3/8" | 65 | 8 | 160-01 | Washer, Copper - 1,5 x 10,0 x 14,0 |
| 14 | 2 | 105-16 | Bushing, Oilite - 3/4 x 1/2 | 67 | 1 | 165-18 | Pulley, Handbrake Cable |
| 15 | 2 | 110-17 | Key, 3/16 x 3/16 x .625 | 68 | 4 | 125-84 | Grommet, Rubber |
| 16 | 1 | 128-24 | Retainer, Handbrake Cable | 69 | 2 | 103-69 | SHCS 1/4-20 x 1.5 |
| 17 | 2 | 112-47 | SHCS, 1/4-20 x 1.0 | 70 | 1 | 612-132 | Bracket, LCD Gauge - Painted |
| 18 | 4 | 117-27 | Locknut, Nylon 1/4-20 | 71 | 1 | 128-27 | Grommet 1-1/4ID x 1-1/2x3/32 |
| 19 | 1 | 103-38 | HHCS 5/16-18x1.25 Gr5 | 72 | 2 | 117-86 | Nut, Acorn, 1/4-20 |
| 20 | 1 | 108-05 | Lockwasher, 5/16 Split-Ring | 73 | 3 | 117-85 | Nut, Acorn, M5 |
| 21 | 2 | 112-04 | HHCS 1/4-20 x 3/4 Gr2 | 74 | 3 | 120-04 | Washer .19 x .50 x.08 |
| 22 | 2 | 108-03 | Lockwasher 1/4 Split Ring | | | | |
| 23 | 2 | 103-66 | HHCS, 1/4-20 x 4.0 Gr5 | | | | |
| 24 | 4 | 108-08 | Washer, .28 x .62 x .04 | | | | |
| 25 | 2x8 | 108-24 | Washer, .34 x .70 x .06 | | | | |
| 26 | 2 | 812-17 | Collar | | | | |
| 27 | 1 | 128-17 | Lever Assembly, Handbrake, Spring | | | | |
| 28 | 1 | 128-21 | Cable Assembly, Handbrake | | | | |
| 29 | 2 | 127-35 | Grip, Molded | | | | |
| 30 | 1 | 127-81 | Throttle Twist Grip | | | | |
| 31 | 1 | 612-101 | Cable Asm., Throttle - Frontier | | | | |
| 32 | 1 | 105-25 | Bushing, Flange Oilite FF-310 | | | | |
| 33 | 1 | 166-12 | Caliper, Hydraulic Brake - L | | | | |
| 34 | 1 | 166-13 | Caliper, Hydraulic Brake - R | | | | |
| 35 | 2 | 161-05 | O-ring Kit, Knott Caliper | | | | |
| 36 | 4 | | Seal, Piston | | | | |
| 37 | 2 | | Seal, Rubber | | | | |
| 38 | 2x1 | 168-20 | Plug, Rubber | | | | |
| 39 | 2x1 | 168-02 | Screw, Bleeding, Knott Caliper | | | | |
| 40 | 2x4 | 103-55 | HHCS, 5/16-18 x 2.75 Gr5 Zn | | | | |
| 41 | 1 | 170-03 | Pad Set (4), Brake - Non-Asbestos | | | | |
| 42 | 2x4 | 117-03 | Nut, Fin Hex 5/16-18 | | | | |
| 43 | 2x2 | 168-01 | Piston, Knott Caliper | | | | |
| 44 | 2 | 112-159 | BHCS, 1/4-20 x 1.0, Plated | | | | |

6.0 Parking Brake

Frontier 8x8 Parts Manual



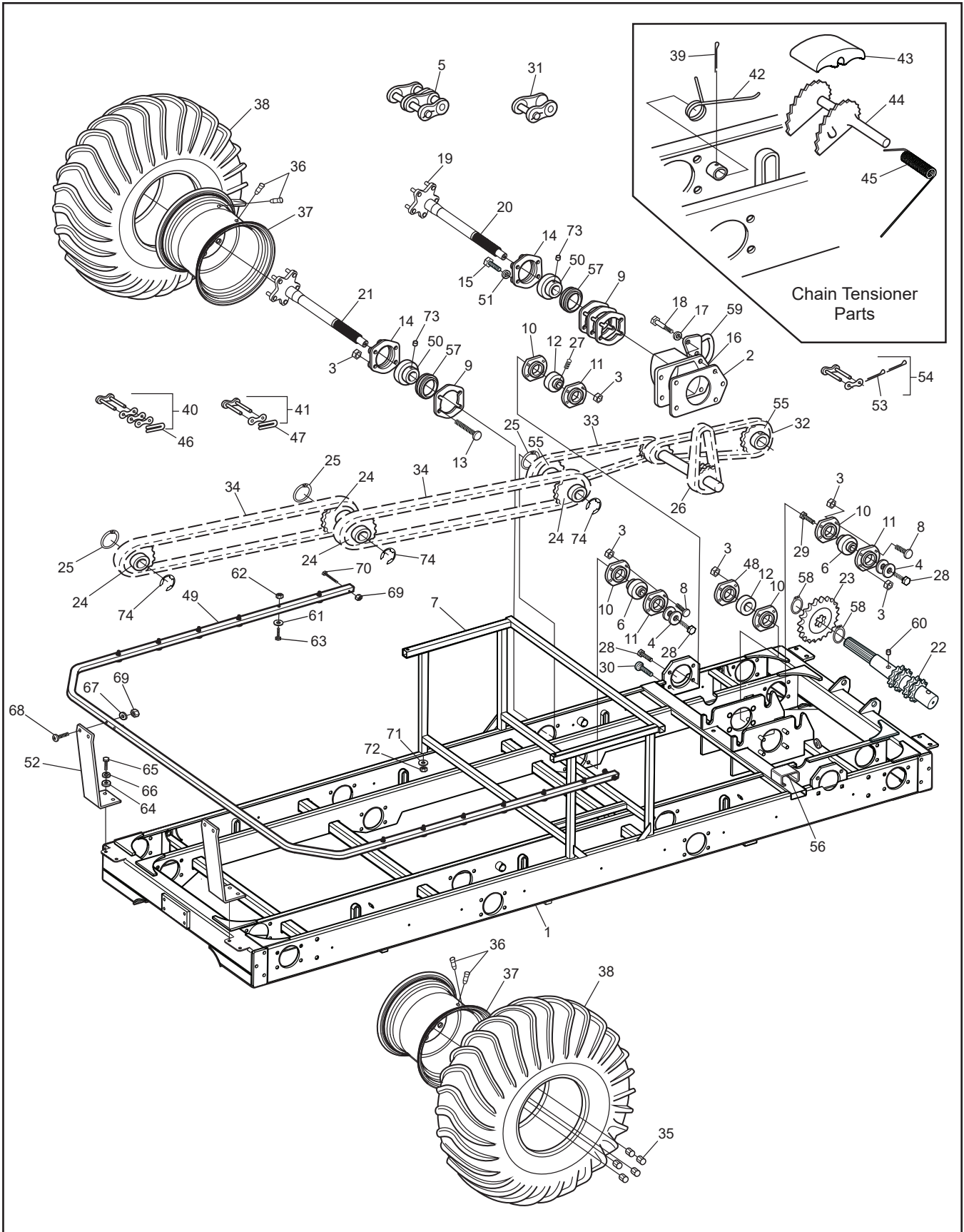
| Ref. | Qty. | Part # | Description |
|------|------|------------|--|
| 1 | 1 | 850-96 | Caliper Ass'y, LH, Parking Brake |
| 2 | 1 | 850-97 | Caliper Ass'y, RH, Parking Brake |
| 3 | 1 | 850-98 | Kit, Service, Parking Brake (includes Ref. 4 - 9, not sold separately) |
| 4 | 1 | | Cam Tension Spring (compression) |
| 5 | 1 | | Left & Right Brake Pads |
| 6 | 1 | | Cam Arm Spring (tension) |
| 7 | 1 | | Brake Pad Retaining Screw |
| 8 | 1 | | Castle Nut |
| 9 | 1 | | Cotter Pin |
| 10 | 2 | 103-06 | HHCS 5/16-18x1.0 Gr5 |
| 11 | 5 | 103-08 | HHCS 1/4-20x1.0 |
| 12 | 2 | 112-173 | Locknut, #5-40 |
| 13 | 1 | 112-178 | Bolt, Shoulder, 1/2 x 5/8 |
| 14 | 2 | 112-172 | SHCS 5-40 x 3/4 |
| 15 | 1 | 108-35 | Washer .53 x 1.06 x .09 |
| 16 | 5 | 108-24 | Washer .34x.70x.06 |
| 17 | 7 | 108-47 | Washer .39x.94x.13 |
| 18 | 1 | 117-10 | Locknut, 10-24 N/I |
| 19 | 4 | 112-132 | HHCS 5/16-18 x 3.25 Gr5 |
| 20 | 2 | 105-43 | Bushing .37x.03 Wall x 2.1 Lng |
| 21 | 5 | 117-21 | Locknut, Nylon 5/16-18 |
| 22 | 5 | 117-27 | Locknut, Nylon 1/4-20 |
| 23 | 1 | 613-120 | Switch, Micro, Lever |
| 24 | 1 | 104-27 | Pin, Clevis 5/16x.75" |
| 25 | 1 | 100-140 | Pin, Bow & Tie Cotter, 0.091 x 1.875 |
| 26 | 1 | 117-124 | 5/16" Nylon Insert Cap Nut |
| 27 | 1 | 809-147 | Lever, Parking Brake |
| 28 | 1 | 850-72 | Bracket Asm, Parking/Brake |
| 29 | 1 | 850-79 | Pulley, Parking Brake Cable |
| 30 | 2 | 850-80 | Cable, Parking Brake Equalizer |
| 31 | 1 | 850-81 | Cable, Parking Brake |
| 32 | 1 | 850-82 | Flat Bar, Equalizer |
| 33 | 1 | 112-143/PI | SHCS 5/16x1.25 |



Frontier 8x8 Parts Manual

7.0 Vehicle Body & Firewall

| Ref. | Qty. | Part # | Description | Ref. | Qty. | Part # | Description |
|------|------|---------|---|------|------|-----------|---|
| 1 | 1 | 707-43 | Wldt. Exhaust Screen | 44 | 1 | 801-53 | Body & Hood, Upper - Frontier (spec. colour) (incl. 23, 33, 38) |
| 2 | 1 | 601-130 | Nameplate, "Argo" | 45 | 105 | 120-09 | Rivet 3/16 x 1 - Black |
| 3 | 2 | 127-45B | Knuckle, Hinge | 46 | 8 | 103-48 | T/S Pan HD Phil #10 x 5/8 |
| 4 | 2 | 127-45A | Pin, Hinge | 47 | 4 | 126-79 | Bumper, Plastic - Black |
| 5 | 1 | 601-103 | Tube, Dash Handle, Pass. Side | 48 | 20 | 108-25 | Washer .31 x .75 x .06 |
| 6 | 2 | 100-109 | Cup Holder Insert | 49 | 4 | 603-15 | Washer, Plastic 5/16 Hole |
| 7 | 1 | 126-68 | Plate, Operation | 50 | 2 | 103-08 | HHCS 1/4-20 x 1.0 |
| 8 | 1 | 707-42 | Wldt, Intake Screen | 51 | 1 | 127-144 | Label, Warning - HOT |
| 9 | 1 | 850-420 | Seat, L Rear Bench - Argo 8x8 | 52 | 1 | 126-60 | Vinyl Strip, 1/2" x 1/4" x 37.5' |
| 10 | 1 | 100-108 | Mesh, Glove Box | 53 | 8 | 108-59 | Lockwasher #10 Int. Tooth |
| 11 | 2 | 112-313 | Stud, Q-Turn 6mm x 19mm Steel | 54 | 9 | 103-47 | HHCS 10-24 x 1/2 |
| 12 | 1 | 803-68 | Firewall | 55 | 2 | 113-12 | Insert, 1/2-13 |
| 13 | 1 | 850-421 | Seat, R Rear Bench - Argo 8x8 | 56 | 2 | 108-35 | Washer .53 x 1.06 x .09 |
| 14 | 1 | 126-67 | Plate, Floor Pan | 57 | 2 | 112-151 | HHCS 1/2-13 x 1" Gr2 |
| 15 | 1 | 127-173 | Plate, Vehicle Capacity | 58 | 1 | 613-37 | Terminal Strip, Ground |
| 16 | 2 | 127-01 | Reflector, Red | 59 | 17 | 120-13 | Rivet, 3/16 x 3/4 Black |
| 17 | 1 | 803-58 | Floor Pan, Rear | 60 | 1 | 117-10 | Locknut, 10-24 N/I |
| 18 | 1 | 127-141 | Label, Caution - Keyswitch | 61 | 38 | 120-24 | Rivet, 3/32 x 3/8 Alum. (all plates) |
| 19 | 1 | 126-69 | Plate, Fuel | 62 | 2 | 100-114 | Gasket, Drain Plug |
| 20 | 2 | 850-368 | Nameplate - Argo 8x8 Frontier | 63 | 2 | 602-56 | Latch, Hood - Soft Draw |
| 21 | 2 | 601-106 | Trim, Vinyl - 30" Black | 64 | 1 | 601-104 | Tube, Dash Handle, Driver Side |
| 22 | 2 | 117-126 | Clip, Q-Turn 6mm - Steel | 65 | 2 | 112-51 | Screw, IHWH T/C #10-24x5/8 |
| 23 | 1 | 602-53 | Frame Ass'y, Hood - Front | 66 | 1 | 613-123 | Post, Power, 5/16-18, Red |
| 24 | 1 | 801-05 | Bumper, Vinyl - 8x8 | 67 | 1 | 128-26 | Grommet, 1-1/2ID x 1-3/4x1/4 |
| | 1 | 801-202 | Bumper, Vinyl - 8x8, Brown - Scout | 68 | 1 | 127-150 | Plate, Switch Mounting -3 Hole |
| 25 | 1 | 803-59 | Floor Pan, Front | 69 | 2 | 114-40 | Washer, Stud Retainer 6mm |
| 26 | 1 | 801-50 | Body, Lower | 70 | 1 | 707-66 | Wldt, Hood Screen, Front |
| 27 | 2 | 100-107 | Plug, Drain - Flanged | 71 | 1 | 129-14 | Plate, Gear Shift Pattern |
| 28 | 1 | 104-13 | Pin, Toplink - 3/4 x 2.75 | 72 | 8 | 112-292 | T/S Washer Hd Phil #8x3/4 Blk |
| 29 | 1 | 616-16 | Hitch Assembly | 73 | 1 | 850-400 | Nameplate, Frontier S 8x8 |
| 30 | 1 | 616-19 | Tube, Hitch | | 1 | 850-381 | Nameplate, Scout S |
| 31 | 4 | 103-61 | HHCS 3/8-24 x 1.5 Gr5 | 74 | 1 | 707-62 | Wldt. Hood Screen, RH |
| 32 | 1 | 104-11 | Pin, Lynch - Ring | 75 | 1 | 707-63 | Wldt. Hood Screen, LH |
| 33 | 2 | 120-15 | Rivet - 1/8 x 7/16 | 76 | 8 | 108-42 | Washer .21 x 1.0 x .06 |
| 34 | 1 | 616-20 | Gasket, Rear Hitch | 77 | 4 | 10081A001 | Rivet, 3/16 x 0.376 - 0.500 AL |
| 35 | 4 | 108-15 | Washer .42 x .81 x .05 | | | | Note: For ultra chrome add UC to part # |
| 36 | 31 | 120-11 | Rivet 5/32 x 9/16 - Black | | | | |
| 37 | 6 | 120-05 | Washer, .19 x .50 x .04 | | | | |
| 38 | 1 | 602-57 | Hood Kit - Frontier (spec. colour) (incl. 3, 4, 36, 53, 54, 63, 70, 74, 75) | | | | |
| 39 | 2 | 117-44 | T- Nut 1/4-20 | | | | |
| 40 | 92 | 120-04 | Washer .19 x .50 x .08 | | | | |
| 41 | 36 | 120-27 | Pin, Magna Grip | | | | |
| 42 | 36 | 120-28 | Collar, Magna Grip | | | | |
| 43 | 1 | 801-51 | Skid Plate - Black (Opt.) | | | | |

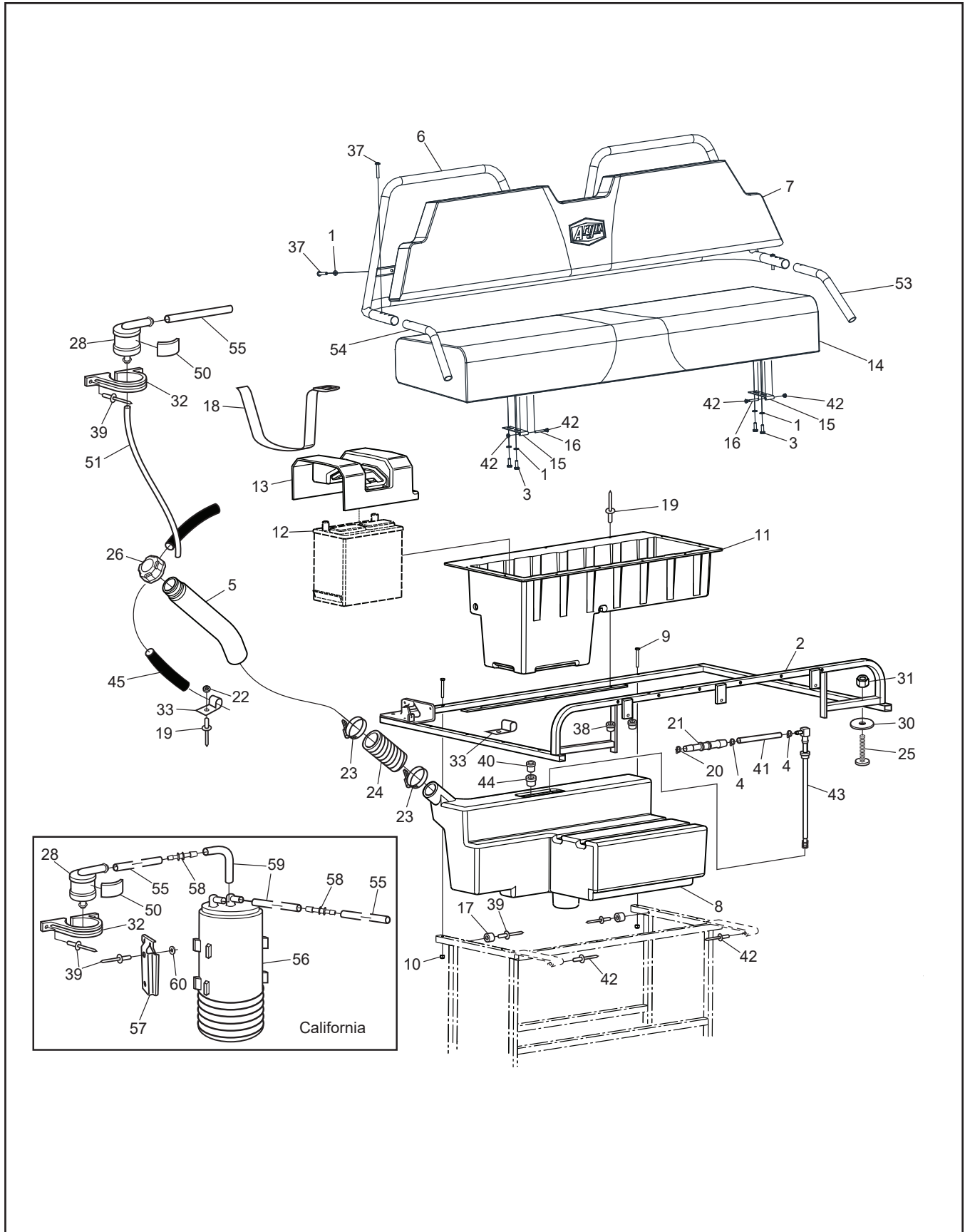


Frontier 8x8 Parts Manual

8.0 Frame and Drive System

| Ref. | Qty. | Part # | Description |
|------|------|---------|--|
| 1 | 1 | 804-136 | Frame Wldt. - 8x8 Frontier |
| 2 | 4 | 606-25 | Gasket - Bearing Extension |
| 3 | 80 | 117-118 | Locknut, Nylon 3/8-16, Flanged |
| 4 | 16 | 108-46 | Washer .40 x 1.37 x .12 Hi- Carbon |
| 5 | | 125-75 | Link, Half RC50-2 |
| 6 | 8 | 101-41 | Bearing, Ball - 1.0 |
| 7 | 1 | 804-138 | Frame Wldt, Seat 8x8 |
| 8 | 35 | 103-88 | C/Bolt 3/8-16 x 1.0 Gr5 |
| 9 | 16 | 606-90 | Gasket, Flange - 72mm |
| 10 | 12 | 606-91 | Flange - 4 Hole Hd |
| 11 | 10 | 606-92 | Flange, Greasable - 4 Hole Hd |
| 12 | 4 | 101-96 | Bearing, Ball - 1.25x1.5 No Grv |
| 13 | 16 | 112-187 | C-Bolt 3/8-16x2.0 Gr5 Zn |
| 14 | 8 | 606-88 | Flange Ass'y, Outer Bearing |
| 15 | 16 | 103-68 | HHCS 3/8-16 x 2.0 Gr5 |
| 16 | 4 | 810-112 | Bearing Extension w/nuts |
| 17 | 20 | 108-34 | Washer .47 x .94 x .06 |
| 18 | 20 | 112-181 | HHCS 7/16-20 x 1.75 Gr5 |
| 19 | 5x8 | 112-183 | Stud, Wheel 7/16-20 x 1.5 |
| 20 | 4 | 810-122 | Axle Asm - Forged - FR/RR |
| 21 | 4 | 810-123 | Axle Asm - Forged - Mid |
| 22 | 2 | 810-59 | Shaft, Idler - 11T |
| 23 | 2 | 606-72 | Sprocket, Idler S60 x 21T |
| 24 | 8 | 805-143 | Sprocket, S60 x 19T-16/32 Int |
| 25 | 6 | 106-15 | Retaining Ring SH-0137-PA |
| 26 | 2 | 803-62 | Chain, RC60-1 x 34P Idler- Lambda |
| 27 | 4 | 112-60 | SHSS 1/4-28 x 1/2 Cup Pt. |
| 28 | 8 | 112-31 | HHCS 3/8-16 x 1.0 2B Gr8 |
| 29 | 1 | 112-163 | HHCS 3/8-16 x 2.0 Gr5 |
| 30 | 4 | 112-61 | C/Bolt 3/8-16 x 1.25 Gr5 |
| 31 | | 127-80 | Link, Half - RC60 - 1 (opt.) |
| 32 | 2 | 803-55 | Chain, RC50-2 x 46P-Front (incl. Ref. 40) |
| 33 | 2 | 803-56 | Chain, RC50-2 x 74P-Mid (incl. Ref. 40) |
| 34 | 4 | 803-57 | Chain, RC60-1 x 90P-Rear (incl. Ref. 41) |
| 35 | 5x8 | 117-35 | Nut, Wheel 7/16-20 |
| 36 | 16 | 125-26 | Valve, Tire |
| 37 | 8 | 125-108 | Rim - 8" Offset |
| 38 | 8 | 127-158 | Tire, Argo 24 x 10-8 |
| 39 | 6 | 100-01 | Pin, Cotter 1/8 x 1.50 |
| 40 | 1x4 | 100-96 | Con. Link, RC50-2 H.D. |
| 41 | 1x4 | 603-84 | Con. Link, RC60-1 H.D. |
| 42 | 6 | 127-65 | Spring Torsion - 1.16x0.35 |
| 43 | 6 | 606-44 | Slider Block |
| 44 | 6 | 606-82 | Tensioner Asm, Chain |
| 45 | 6 | 127-64 | Spring, Torsion - .76 x 1.9 |

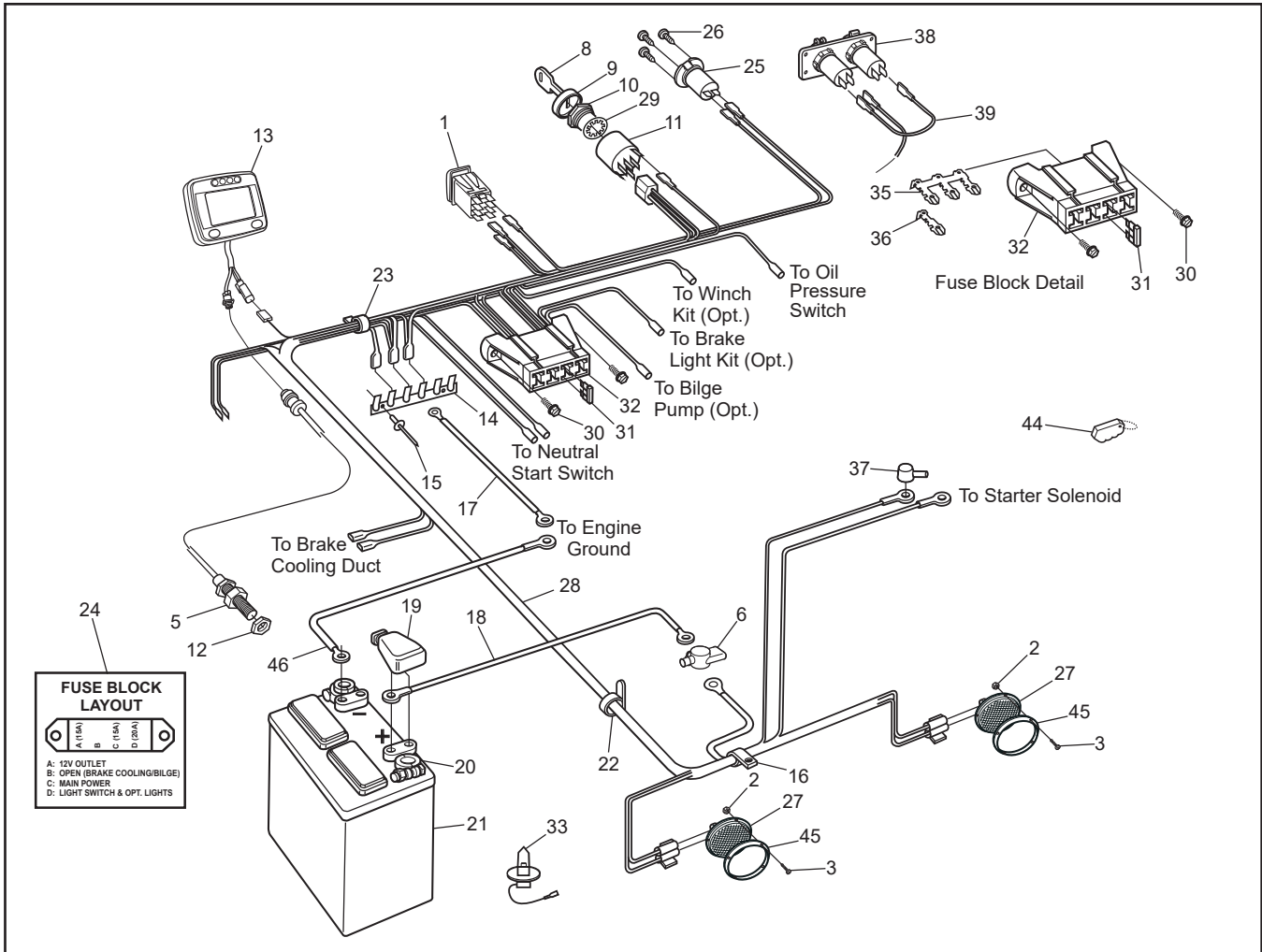
| Ref. | Qty. | Part # | Description |
|------|------|----------|---|
| 46 | 4 | 603-95 | Spring Clip - RC 50 Closed |
| 47 | 4 | 603-96 | Spring Clip - RC 60 Closed |
| 48 | 2 | 606-93 | Flange, Greaseable - 90 Deg. Hd |
| 49 | 1 | 806-254 | Tube, Rear Hoop, Argo |
| 50 | 8 | 101-123 | Bearing, Ball - 1.375x72mm |
| 51 | 16 | 108-06 | Lockwasher 3/8 Split Ring Zn |
| 52 | 2 | 806-255 | Bracket, Rear Hoop, Argo |
| 53 | 4 | 104-35 | Pin, Cotter 2mm x 12mm |
| 54 | 2 | 127-188 | Link, Con. #60 Lambda |
| 55 | 4 | 805-144 | Sprocket, D50x24T-16/32 Int |
| 56 | 2 | 606-43 | Slide, Chain - 2-3/4" |
| 57 | 8 | 606-89 | Carrier, Axle Bearing |
| 58 | 4 | 107-10 | Retaining Ring SH-0125-PA |
| 59 | 2 | 642-47 | Tie Down Bracket |
| 60 | 1 | 613-127 | Magnet, Speedometer |
| 61 | 14 | 108-42 | Washer .21x1.0x.06 |
| 62 | 14 | 117-10 | Locknut, 10-24 N/I |
| 63 | 14 | 112-07 | RHMS 10-24x1.50 |
| 64 | 4 | 108-12 | Washer .34x1.00x.06 |
| 65 | 4 | 103-06 | HHCS 5/16-18x1.0 Gr5 |
| 66 | 4 | 108-05 | Lockwasher 5/16 Split-Ring Zn |
| 67 | 4 | 108-08 | Washer .28x.62x.07 |
| 68 | 4 | 112-215 | C/Bolt 1/4-20 x 1.5 Gr2 |
| 69 | 6 | 117-27 | Locknut, Nylon 1/4-20 |
| 70 | 2 | 112-214 | HHCS 1/4-20 x 2 Gr5 |
| 71 | 4 | 108-24 | Washer .34x.70x.06 |
| 72 | 4 | 117-21 | Locknut, Nylon 5/16-18 |
| 73 | 8 | 112-200 | SHSS 5/16-24x5/16 Flat PT |
| 74 | 6 | 106-34 | Retaining Ring, E-Style 1.375" |
| | | | Tire, Rim & Valve Assemblies |
| | 8 | 125-109R | Asm, 24 Tire & 8 Offset Rim,R |
| | 8 | 125-109L | Asm, 24 Tire & 8 Offset Rim,L |



Frontier 8x8 Parts Manual

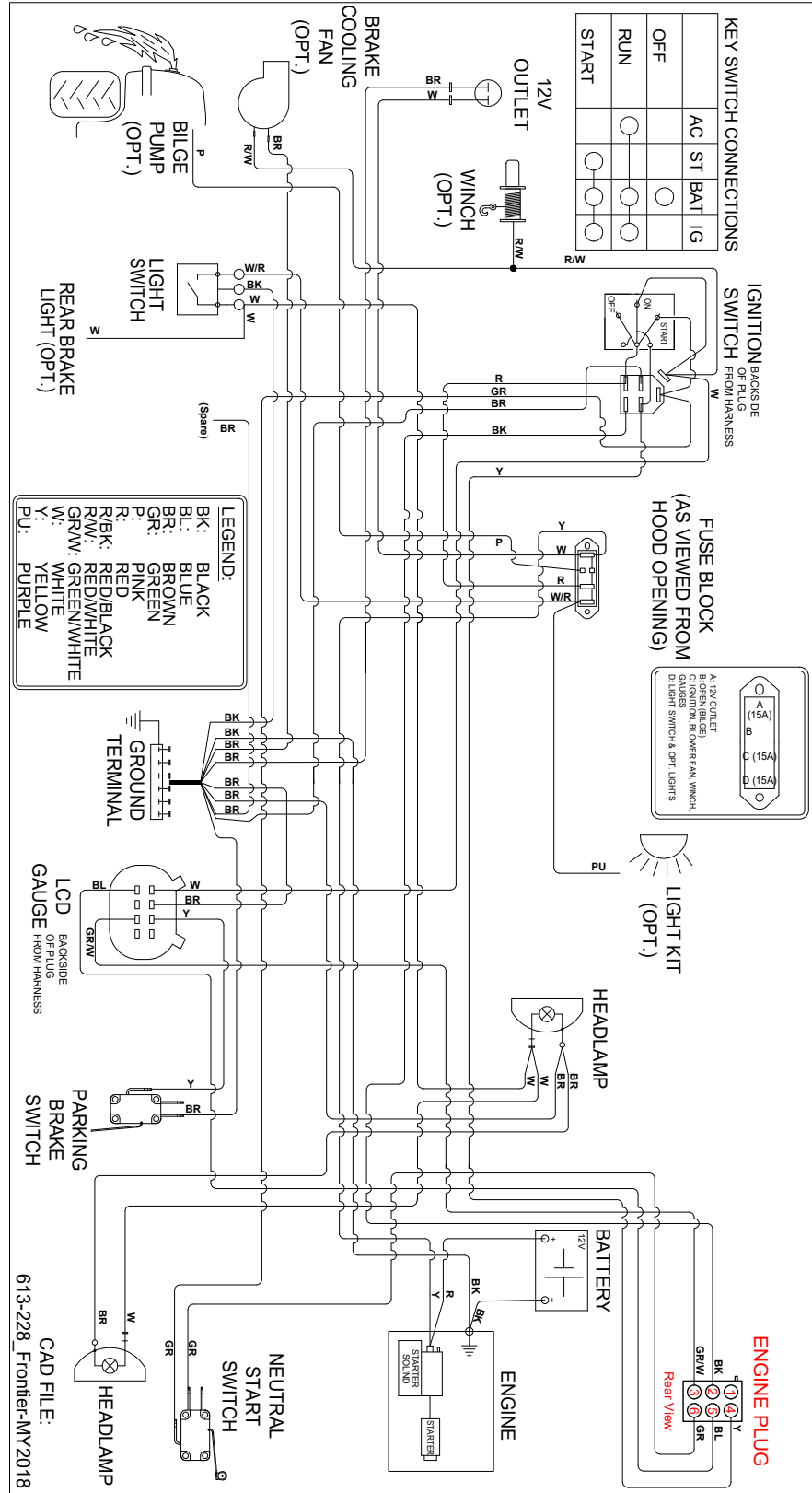
9.0 Fuel System & Seat Assembly

| Ref. | Qty. | Part # | Description | Ref. | Qty. | Part # | Description |
|------|------|-----------|---|------|------|-----------|--|
| 1 | 8 | 108-03 | Lockwasher 1/4 Split Ring | | | | |
| 2 | 1 | 608-132 | Frame Assembly, Seat - EFi | | | | |
| 3 | 4 | 112-04 | HHCS 1/4-20x3/4 Gr2 | | 1 | 127-273 | United States Vehicle Kit Plate, Serial Blank Double |
| 4 | 2 | 112-78 | Clamp, Hose, 9/16 | | 1 | 127-274 | Label, U.S EPA EVAP Approval |
| 5 | 1 | 608-140 | Fuel, Fill Neck Assembly | 46 | 2 | 120-24 | Rivet, Alum - 3/32 x 3/8 Black |
| 6 | 1 | 848-290 | Weld. Backrest, Deluxe | | | | |
| 7 | 1 | 850-415 | Seat, Front Backrest, Deluxe | | | | |
| 8 | 1 | 608-120 | Tank, Fuel Low Permeation | | | | |
| 9 | 2 | 112-214 | HHCS, 1/4-20 x 2.0 Gr. 5 Zinc | | 1 | 127-273 | California Vehicle Kit Plate, Serial Blank Double |
| 10 | 2 | 117-27 | Locknut, TD 1/4-20 BNZ | | 1 | 127-274 | Label, U.S EPA EVAP Approval |
| 11 | 1 | 608-54 | Toolbox | 39 | 2 | 120-13 | Rivet - 3/16 x 3/4 Black |
| 12 | 1 | 127-54 | See Section 10.0 Electrical System | 46 | 4 | 120-24 | Rivet, Alum - 3/32 x 3/8 Black |
| 13 | 1 | 608-55 | Cover, Battery | | 1 | 127-275 | Label, Carb EVAP Approval |
| 14 | 1 | 608-88CF | Seat Assembly, Bench - CF | 47 | 1 | 126-101RM | Hose, Vent 3/16" ID - 3.16ft. |
| 15 | 2 | 608-81 | Hinge, Seat, Bolted | 48 | 1 | 609-45 | Carbon Canister 800cc |
| 16 | 2 | 104-43 | Pin, 3/16" x 1-1/8" | 49 | 1 | 609-46 | Bracket, Carbon Canister |
| 17 | 2 | 126-102 | Bumper, Recessed Hole | 50 | 2 | 609-48 | Reducer, Barbed 1/4" to 3/16" |
| 18 | 1 | 608-56 | Strap, Battery | 51 | 2 | 127-160-3 | Hose, 1/4ID x 3/8OD - 3" Lg |
| 19 | 17 | 120-09 | Rivet 3/16x1 - Black | 52 | 2 | 120-05 | Washer .19x.50x.04 |
| 20 | 4 | 112-79 | Clamp, Hose, 1/2" Red | | | | |
| 21 | 1 | 808-133 | Reducer, 5/16" to 1/4" Barbed | 53 | 1 | 608-191 | Tube, L.F. Backrest (Std & Deluxe only) |
| 22 | 8 | 120-04 | Washer .19 x .50 x .08 | 54 | 1 | 608-192 | Tube, R.F. Backrest (Std & Deluxe only) |
| 23 | 2 | 100-12 | Clamp, Gear 2.25" HF-36 | | | | |
| 24 | 1 | 125-94 | Hose, Filler | | | | |
| 25 | 10 | 112-07 | RHMS 10-24 x 1.50 | | | | |
| 26 | 1 | 126-100 | Fuel Cap, Tethered | | | | |
| 27 | 1 | 126-60 | Vinyl Strip 1/2" x 1/4" | | | | |
| 28 | 6' | 127-160RM | Tubing, 1/4 ID Clear Plastic | | | | |
| 29 | 1 | 609-47 | Valve, Rollover | | | | |
| 30 | 10 | 108-42 | Washer .21 x 1.0x.06 | | | | |
| 31 | 14 | 117-10 | Locknut, Nylon #10-24 | | | | |
| 32 | 1 | 609-50 | Clamp, Rollover Valve | | | | |
| 33 | 9 | 126-93 | Clamp, Nylon Wire - 1/2" ID | | | | |
| 34 | 2 | 702-06 | Foam Cushion | | | | |
| 35 | 2 | 126-101RM | Hose, Vent 3/16" ID - 2.54ft. | | | | |
| 36 | 1 | 112-41 | PHMS, Phil 1/4-20 x 1.25 | | | | |
| 37 | 6 | 103-03 | PHMS, Phil 1/4-20 x 1.50 | | | | |
| 38 | 2 | 117-64 | Insert, 1/4-20 Steel Cad Pltg. | | | | |
| 39 | 4 | 120-13 | Rivet, 3/16 x 3/4 Black | | | | |
| 40 | 1 | 608-136 | Grommet, Fuel Return | | | | |
| 41 | 2" | 608-69RM | Hose, Fuel - 5/16" ID Carb | | | | |
| 42 | 4 | 120-31 | Rivet, 3/16" x 1/4, Open End | | | | |
| 43 | 1 | 608-127 | Pick-up, Fuel, 5/16 105 Mesh | | | | |
| 44 | 1 | 608-137 | Plug, Push-in | | | | |
| 45 | 1 | 608-66 | Hose, Fuel 1/4" ID, 80" | | | | |



| Ref. | Qty. | Part # | Description |
|------|------|---------|---------------------------------|
| 1 | 1 | 613-153 | Switch, Light |
| 2 | 8 | 117-93 | Nut, Speed #10 |
| 3 | 8 | 112-198 | T/S Pan Hd Phil #10 x 1 Blk. Zn |
| 5 | 1 | 613-226 | Sensor, Speedo Pickup 1 Pc. |
| 6 | 1 | 613-124 | Insulator, 2 Way w/cap, Red |
| 7 | 1 | 118-30 | Terminal, Eye - #10 |
| 8 | 2 | 127-108 | Key, Molded |
| 9 | 1 | 127-107 | Cover, Nut |
| 10 | 1 | 127-106 | Nut, Flanged - Plastic |
| 11 | 1 | 127-105 | Switch - Ignition |
| 12 | 1 | 117-87 | Nut, M12 x 1.25, Zn |
| 13 | 1 | 613-130 | Gauge, LCD |
| 14 | 1 | 613-37 | Terminal Strip, Ground |
| 15 | 2 | 120-15 | Rivet 1/8 x 7/16 |
| 16 | 4 | 127-24 | Clamp, Nylon - 1" ID |
| 17 | 1 | 613-14 | Wire, Ground - 14" |
| 18 | 1 | 613-94 | Wire, Positive Battery |
| 19 | 1 | 127-55 | Cap, Battery Terminal - Red |
| 20 | 2 | 127-56 | Terminal, Battery Post |
| 21 | 1 | 127-54 | Battery, Exide 45-60 |
| | 1 | 613-161 | Battery, Optima - Argo (Opt.) |
| 22 | 8 | 100-64 | Tie Wrap - 5.5" - Black |
| 23 | 13 | 126-93 | Clamp, Nylon Wire - 1/2" ID |
| 24 | 1 | 127-154 | Label, Fuse Panel |

| Ref. | Qty. | Part # | Description |
|------|------|---------|--------------------------------------|
| 25 | 1 | 613-90 | Outlet, 12 V DC |
| 26 | 4 | 112-139 | #4 Phil Drive Oval Head Screw, Blk. |
| 27 | 2 | 613-159 | Headlight - 3.75W |
| 28 | 1 | 613-228 | Wire Harness, Kohler EFI |
| 29 | 1 | 114-26 | Lockwasher, 5/8 Int. Tooth |
| 30 | 2 | 112-51 | Screw, IHWH T/C #10-24x5/8 |
| 31 | 3 | 118-49 | Fuse, 15 A 2-prong (AT015) |
| 32 | 1 | 118-60 | Block Fuse - 8 position (4 fuse) |
| 33 | 2 | 127-46 | Bulb, Headlight - Halogen |
| 35 | 1 | 118-63 | Terminal, Fuse - Triple |
| 36 | 5 | 118-62 | Terminal, Fuse - Single |
| 37 | 3 | 613-45 | Insulator, Terminal (6 ga.) |
| 38 | 1 | 118-80 | Outlet, 12V & Twin USB (if equipped) |
| 39 | 1 | 613-231 | Wire Harness, USB (if equipped) |
| 44 | 1 | 681-00 | FOB, Key - Floating |
| 45 | 2 | 613-152 | Bezel, Headlamp |
| 46 | 1 | 613-95 | Wire, Negative Battery |



ARGO Products Manufactured by:

Ontario Drive & Gear Limited

220 Bergey Court

New Hamburg, Ontario

Canada N3A 2J5

Phone: (519) 662-2840

Fax: (519) 662-2421

www.argoxtv.com

ODG *Dedicated to quality and performance*