



# **ARGO**

# **CONQUEST**

# **PARTS MANUAL**

From Serial # ...23216

# Foreword

ODG has prepared this parts manual for the CONQUEST model to assist both qualified mechanics and vehicle owners in ordering correct, quality replacement ARGO parts.

Proper and regular service, and replacing old, worn or broken parts with the correct ARGO replacement parts, are both essential to prolonging the life of the ARGO. Please refer to this parts manual before ordering any replacement part.

All information contained in this CONQUEST Parts Manual is based on the latest product specification available at time of printing. If your CONQUEST differs from the specifications contained in this manual, contact Ontario Drive & Gear Limited for information.

ODG reserves the right to alter specifications on the CONQUEST model at any time, without obligation or prior notification.

Reproduction of this CONQUEST Parts Manual, in whole or in part, is prohibited without prior written permission from Ontario Drive & Gear Limited.

## Vehicle Identification

**CONQUEST** - Serial Nos. C23216

## Explanation of Parts Manual Format

- Ref** - Reference number between assembly diagram and component parts list
- Part No.** - Argo replacement part number for identification and re-ordering
- Description** - Part description for identification and re-ordering
- Qty** - Indicates the quantity of a part used in an Assembly

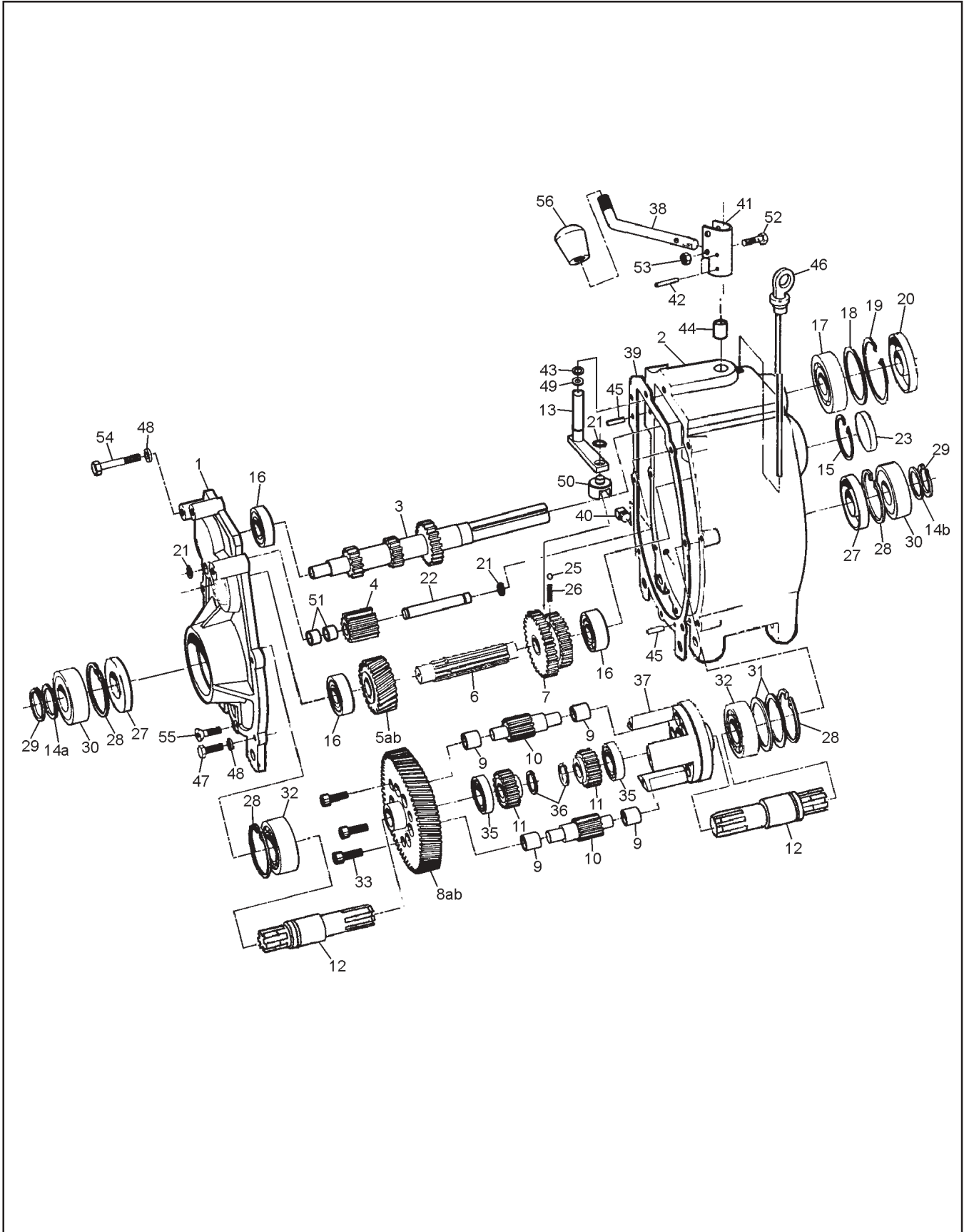


**Using the Parts Manual**

1. Find the major vehicle assembly in the Table of Contents on this page, and turn to that section.
2. Locate the part in the illustration that you wish to order.
3. Refer to the parts list in that section.
4. Find the correct part number (Part No.), part description (Description) and correct quantity (Qty).
5. Use *only* this information to order ARGO replacement parts. *DO NOT* attempt to order a replacement part by reference number or page number.

**Table of Contents**

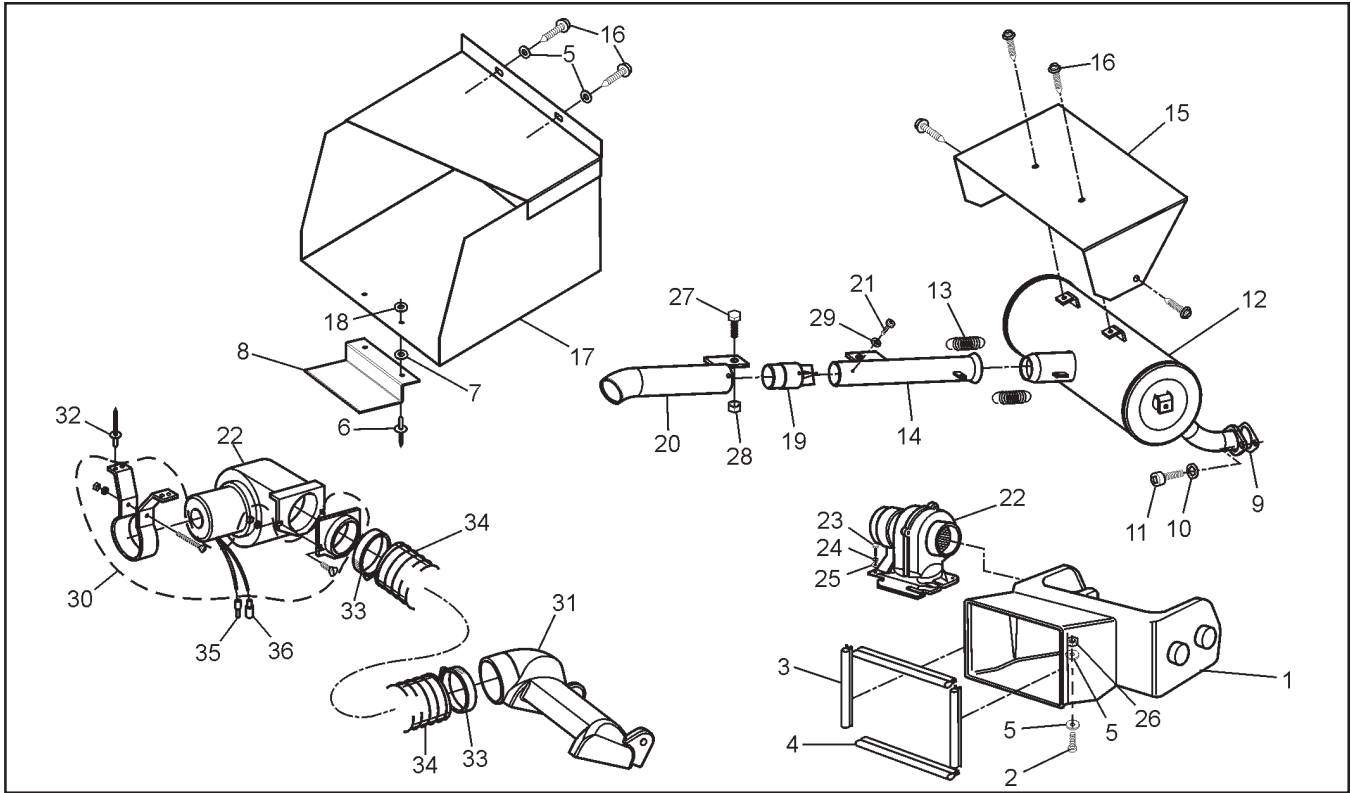
Foreword .....	i
Model Identification .....	i
Using the Parts Manual .....	ii
1.0 Transmission .....	1
2.0 Intake and Exhaust System .....	3
3.0 Clutch System .....	4
4.0 Power Pack Assembly .....	5
5.0 Steering & Brake System .....	7
6.0 Vehicle Body & Firewall .....	9
7.0 Frame & Drive System .....	11
8.0 Fuel System & Seat Assembly .....	13
9.0 Alternator System .....	14
10.0 Electrical System .....	15



Ref.	Qty.	Part #	Description
		610-18M	Transmission Asm - M, does not include Refs 38,52,53 & 56, uses Refs 5a & 8a
		610-18G	Transmission Asm - G, does not include Refs 38,52,53 & 56, uses Refs 5b & 8b
1	1	34-68	Cover, Transmission
2	1	34-99	Housing, Transmission
3	1	34-21	Shaft, Input - 13/21T
4	1	34-16A	Gear, Idler - 13T (incl. Ref 51)
5a	1	34-95	Gear, Helical - 24T - M
5b	1	34-97	Gear, Helical - 21T - G
6	1	34-94	Shaft, Spline
7	1	34-91	Gear, Double - 26/33T
8a	1	34-22	Gear Plate - 73T - M
8b	1	34-45	Gear Plate - 76T - G
9	12	105-03	Bushing, Oilite - ½ x 3/4
10	6	34-13	Gear, Planet - 12T
11	2	34-14	Gear, Sun - 21T
12	2	34-98	Shaft, Output
13	1	34-65	Shifter Asm.
14a	1	114-04	Washer, Shim .040 Thk
14b	1	114-05	Washer, Shim .020 Thk
15	1	106-01	Retaining Ring
16	3	101-01	Bearing, Ball 6204Z-C3
17	1	101-16	Bearing, Ball 6206-C3
18	as req.	114-02	Washer, Shim 2.06x2.42x.02
19	1	106-05	Retaining Ring
20	1	102-05	Seal, Oil WBS 30x62x10
21	3	107-05	Retaining Ring
22	1	34-11	Pin, Dowel ½ x 3.50
23	1	31-07	Plug Plate
25	1	109-05	Ball, Steel 6mm 62-67 Rc
26	1	34-32	Spring, Compression - 7/32x.50
27	2	102-03	Seal, Oil WBS 30x72x10
28	4	106-03	Retaining Ring
29	2	107-02	Retaining Ring
30	2	101-05	Bearing, Ball 6306-2NSE C3
31	2	114-01	Washer, Shim 2.25x2.81x.02
32	2	101-03	Bearing, Ball 6207-C3
33	3	103-04	SHCS 5/16-18x1.0 Bare
35	2	101-15	Bearing, Ball 6005-C3
36	2	107-04	Retaining Ring
37	1	34-08	Cage
38	1	610-77	Lever, Shift
39	1	34-47	Gasket, Cover - 1/64" Thk
40	1	103-02	Plug, Magnetic 3/8-18 NPT
41	1	34-86	Holder, Shift Lever
42	2	111-01	Pin, Spring 5/32x1.0
43	1	113-01	O-Ring
44	1	105-02	Bushing, Oilite - ½ x 1.0
45	2	104-03	Pin, Dowel 1/4 x 7/8
46	1	34-77	Dipstick, with breather
47	4	103-06	HHCS 5/16-18x1.0 GR5 Zn
48	7	108-05	Lockwasher 5/16
49	1	108-74	Washer .64 x .875 x .10 Zn
50	1	34-63	Shift Yoke
51	2	101-79	Bearing, Drawn Cup Needle
52	1	103-97	HHCS 1/4-20x1.25 GR5 Zn
53	1	117-27	Locknut, Nylon 1/4-20 Zn
54			<b>See Section 4.0 Power Pack Assembly</b>
55	1	103-95	FHSC 5/16-18x1.0 GR8 Zn
56	1	126-38	Knob, Shift

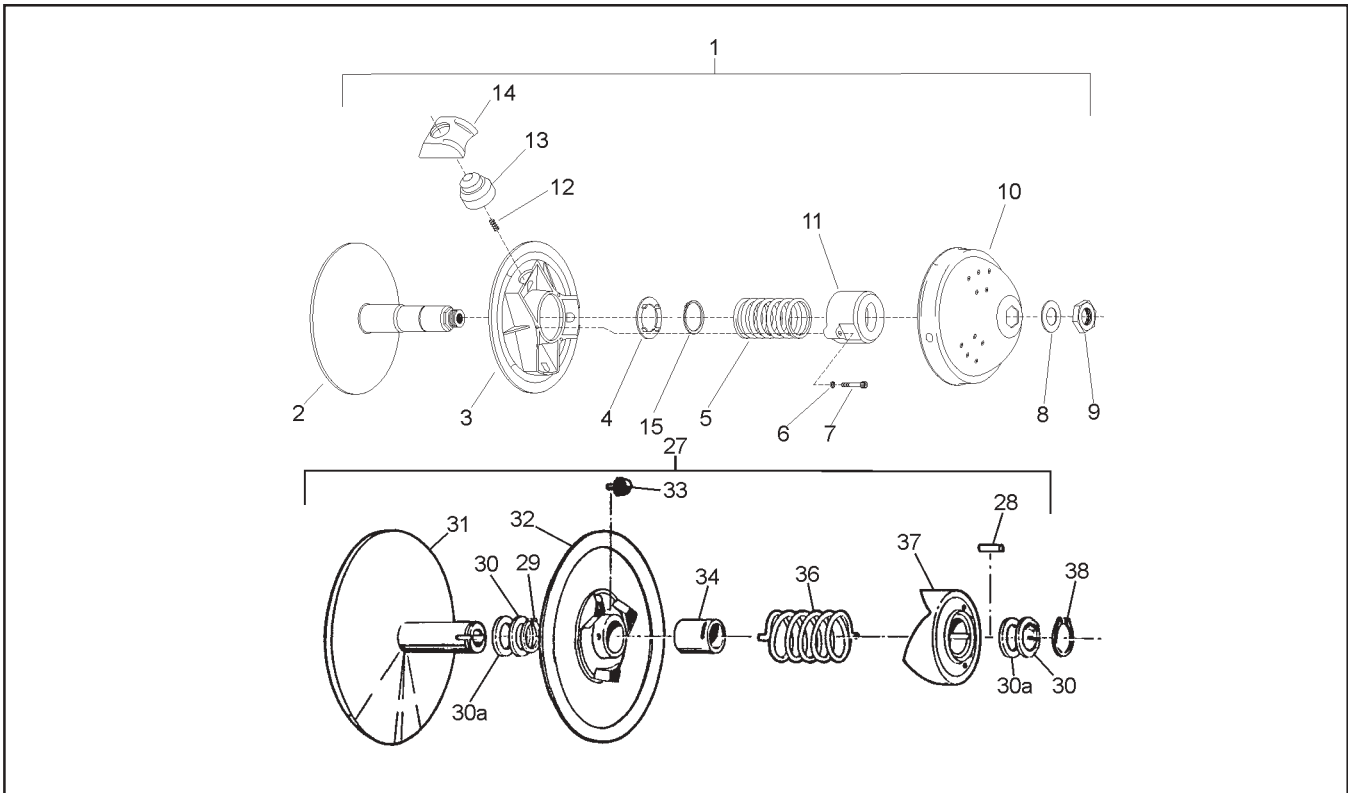
## 2.0 Intake and Exhaust System

## Conquest Parts Manual

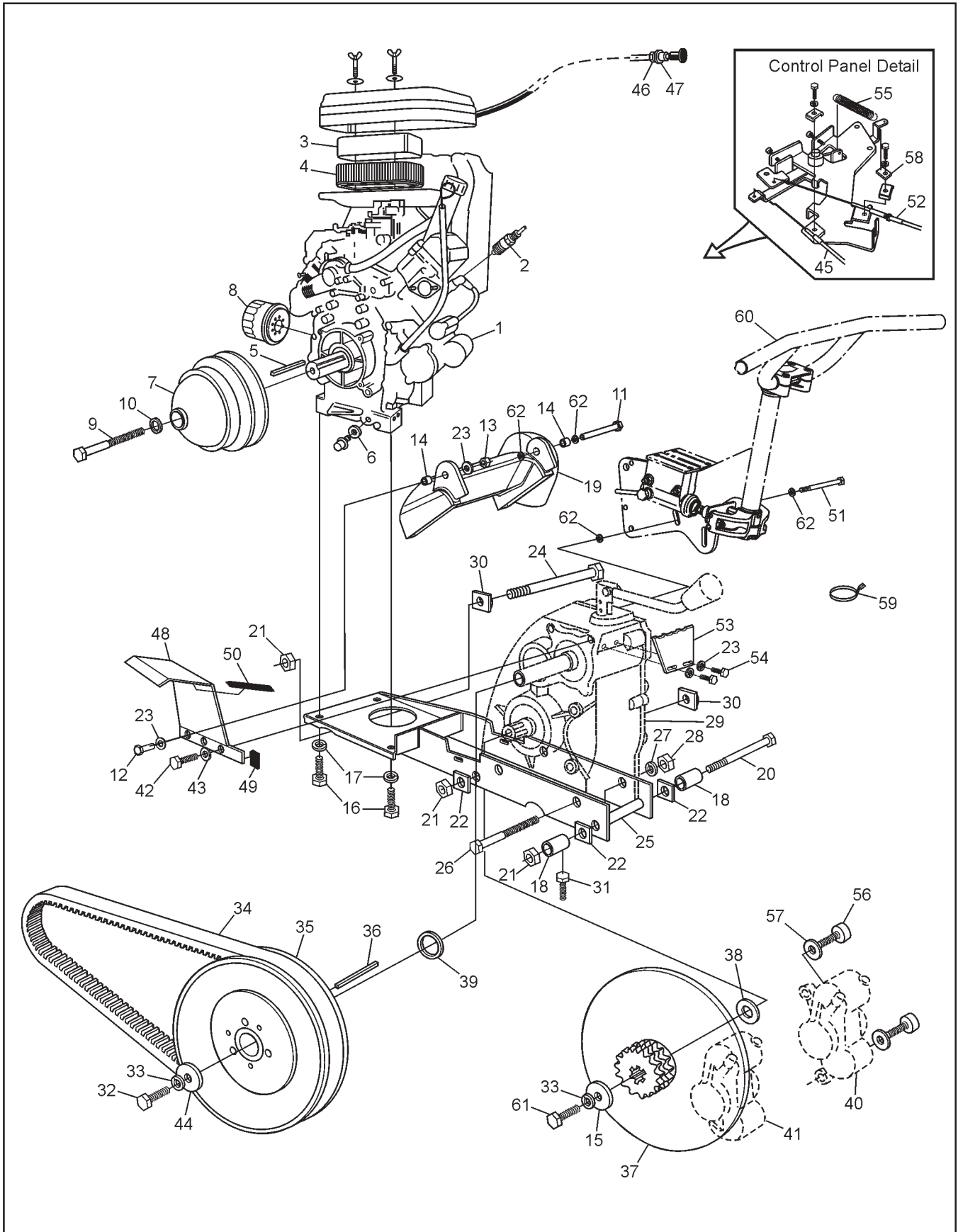


Ref.	Qty.	Part #	Description
1	1	807-76	Duct, Intake
2	2	103-63	PHMS, PHIL 1/4-20x1.0 Zn
3	2	807-78	Seal, Radiator - 9.75" LG
4	2	807-77	Seal, Radiator - 11.5" LG
5	6	108-01	Washer, Fender 1/4 BS x1.25 OD
6	2	120-13	Rivet 3/16 x 5/8 - Black
7	2	125-58	Washer, Fibre - W-77F
8	1	707-28	Support, Exhaust Duct
9	2	11060-2079	Gasket
10	4	108-02	Lockwasher 5/16 Hi-Collar Bare
11	4	112-30	SHCS M8x1,25x20mm Zn
12	1	807-95	Muffler, Kawasaki V-Twin
13	2	126-57	Spring, Extension- 7/16x2.14
14	1	807-97	Pipe, Muffler Tail - Kawasaki
15	1	807-94	Shield, Heat - Kawi Muffler
16	6	112-19	Screw, IHWH T/C Slot 1/4-20x 1/2
17	1	807-96	Duct, Exhaust - Kawasaki
18	2	120-04	Washer .19x.50x.08 Zn
19	1	807-67	Spark Arrester
20	1	807-89	Tube, Tailpipe Outlet
21	1	112-43	Screw IHWH #8x3/8
22	1	125-91	Blower Fan
23	4	103-47	HHCS, #10-24X1/2

Ref.	Qty.	Part #	Description
24	4	120-05	Washer, .19x.50x.04
25	4	108-59	Lockwasher #10 Int. Tooth
26	2	117-27	Locknut, Nylon 1/4-20 Zn
27	1	112-04	HHCS 1/4-20 x3/4 Gr2 Zn
28	1	117-81	Locknut, 2-way 1/4-20 Zn
29	1	108-77	Lockwasher, #8 External Tooth
30		125-92	Adpt. & Mounting Kit - includes the following:
	1		Mounting Bracket
	1		Nut, #10-32
	1		Lockwasher, 3/16"
	1		Screw, #10-32x2"
	2		Nut, 1/4-20
	2		Lockwasher, 1/4"
	2		Screw, 1/4-20x5/8"
	1		Adaptor, 3" dia.
31	1	128-01	Brake Cool Air Duct
32			Rivet
33	2	125-35	Clamp, Gear 3.50" HF-52
34	1	127-06	Hose, Intake - 3" dia. x 29"
35	1	118-02	Terminal, Male #76-1251
36	1	118-03	Terminal, Female #76-1289



Ref.	Qty.	Part #	Description
1	1	127-71	Clutch, Driver - Keyed (incl. Refs 2 to 14)
2	1	0405-0044	Pulley, Half - Fixed
3	1	0410-0006	Pulley, Half - Sliding
4	1	V09	Plate, Spring Guide
5	1	V10-48-103-18	Spring
6	3	420-2453-700	Lockwasher
7	3	222-9640-66	SHCS
8	1	0080-0153	Washer, Zn
9	1	0080-0100	Nut
10	1	0115-0003(A)	Cap
11	1	0440-0001	Cover, Spring
12	3	C24-L1	Spring, Anti-noise
13	3	0135-2045	Weight, 260g
14	3	0130-3002	Block, Red
15	1	V08C	Retaining Ring
27	1	127-129	Clutch, Driven - Model "B" (incl. Refs 28 to 37)
28	1	ASK-5	Key 1/4x1/4x5/8
29	1	ASR-6	Retaining Ring
30	as req	ASA-1-S	Spacer .025" Thick
30a	as req	ASA-1	Spacer .050" Thick
31	1	AFK25.4-250OD01	Pulley, Half - Fixed
32	1	5110-0021	Pulley, Half - Sliding incl. Refs. 33, 34
33	3	ANS-2-T	Shoe, Cam
34	1	5040-3003	Bushing, Super Oilite
36	1	ACS-3-188	Spring, Blue
37	1	AFC-4-C3D4	Cam
38	1	371-9031-0	Retaining Ring

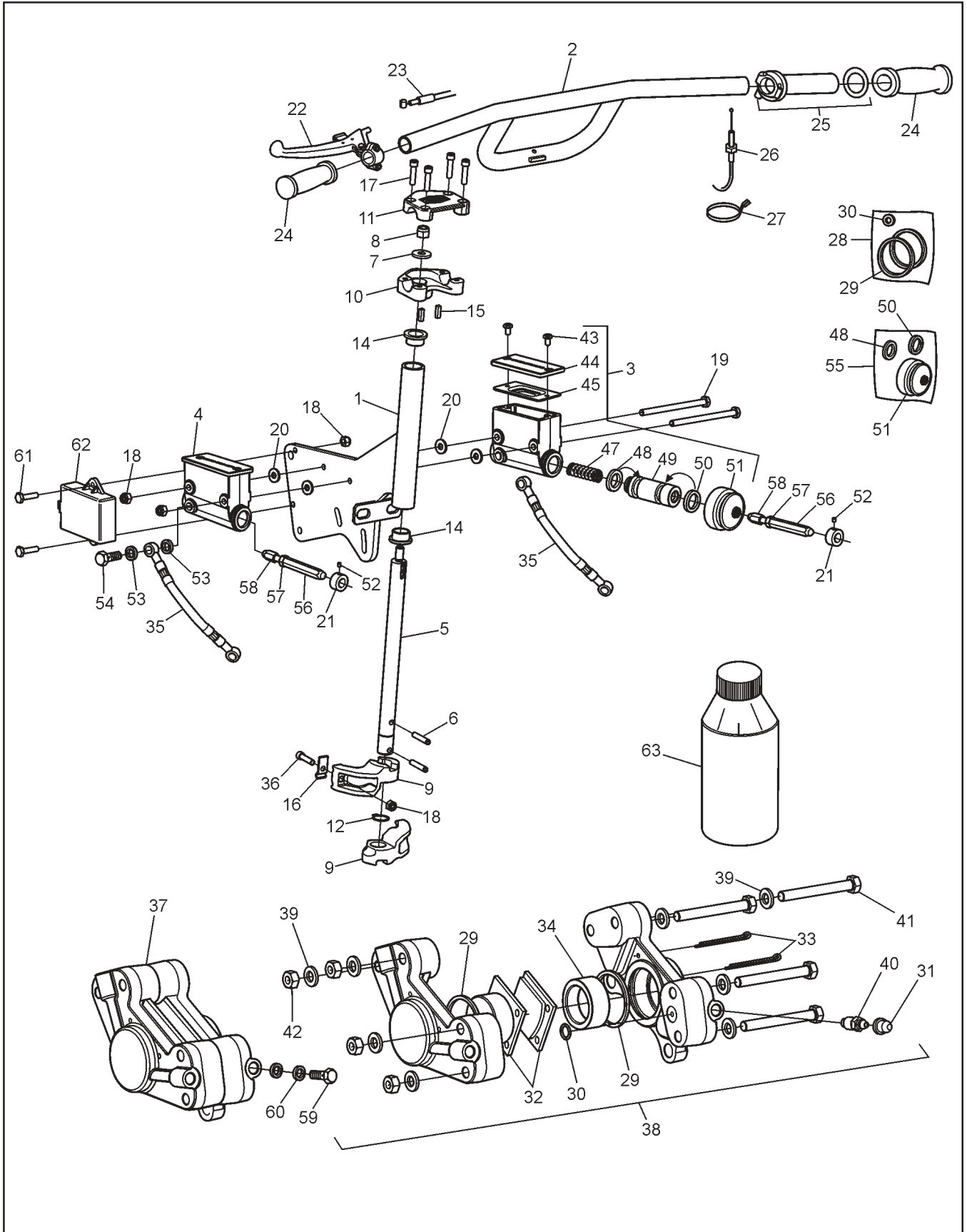




# Conquest Parts Manual

# 4.0 Power Pack Assembly

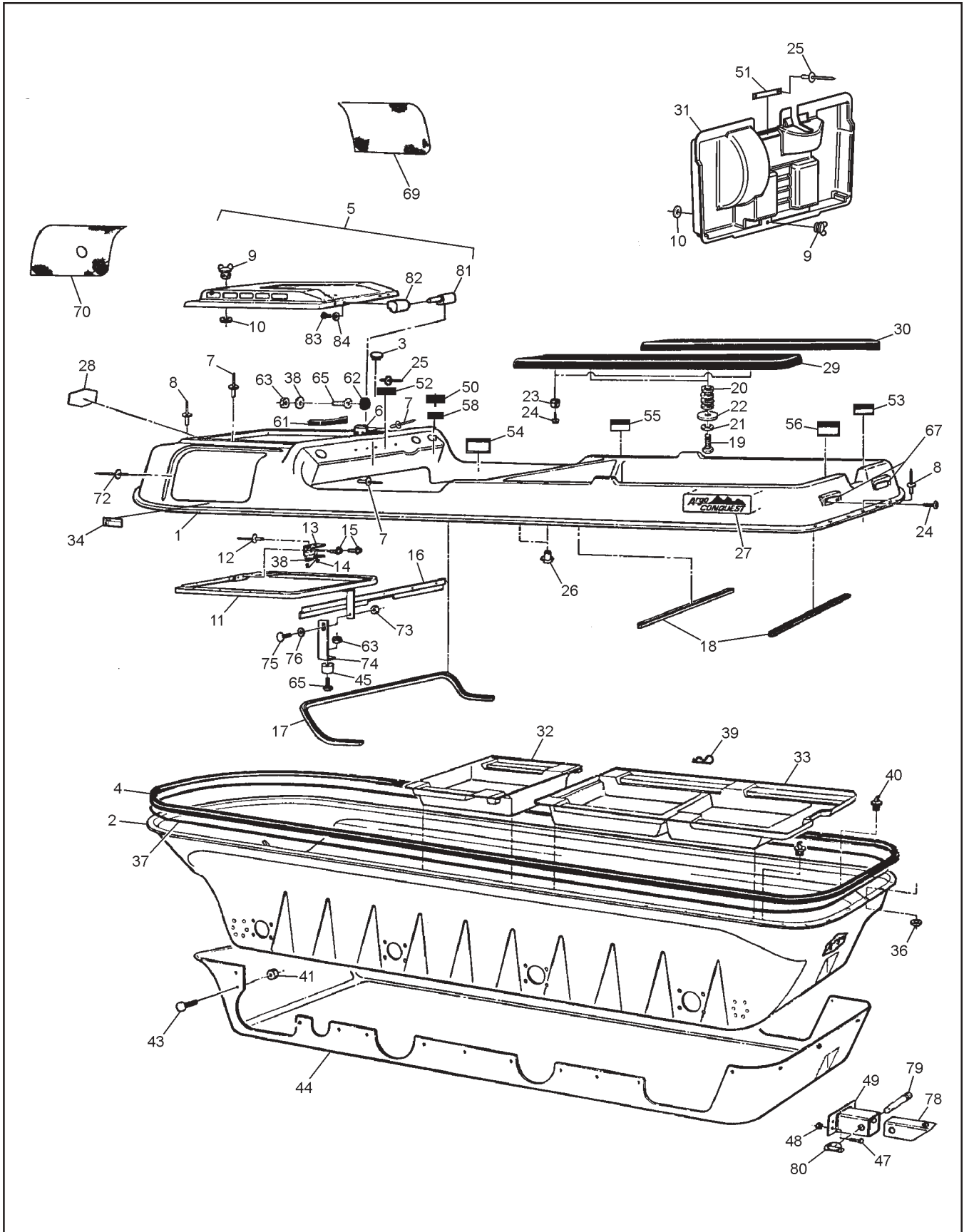
Ref.	Qty.	Part #	Description	Ref.	Qty.	Part #	Description
1	1	FD620D-JS12	Engine - Kawasaki, (incl. Refs. 2, 3, 4, 6, 8, 41)	36	1	110-09	Key 1/4x1/4x3.0
2	2	92070-2112	Sparkplug, BPR4ES	37	2	610-80	Brake Disc #50-2x13T
3	1	11013-2114	Element, Air Filter - Foam	38	as req	108-75	Washer, Shim 1"idx.5x.010
4	1	11013-2139	Element, Air Filter - Paper	39	as req	108-36	Washer 1.03x1.37x.06 Zn
5	1	110-13	Key 1/4x1/4x2.25	40 to 41			<b>See Section 5.0 Steering &amp; Brake System</b>
6	1	11009-2566	Gasket, Drain Plug	42	2	103-17	HHCS 3/8-16x1.0 Gr5 Zn
7			<b>See Section 3.0 Clutch System</b>	43	2	108-26	Washer 3/8 Zn
8	1	127-68	Filter, Oil	44	1	108-46	Washer .40x1.37x.12 Hi-Carbon
9	1	112-15	SHCS M10x1,5x90mm	45	1	812-29	Cable Asm, Choke - Conq.
10	1	108-54	Lockwasher, Hi-Collar -M10	46	1	117-68	Nut, Jam 3/8-24 UNF Zn
11	1	112-132	HHCS 5/16-18x3.25 Gr5 Zn	47	1	108-32	Lockwasher 3/8 Int. Tooth
12	1	103-38	HHCS 5/16-18x1.25 Gr5 Zn	48	1	603-29	Guard, Belt Protect
13	1	117-21	Locknut, Nylon 5/16-18 Zn	49	1	601-92	Vinyl Trim - 1.5"
14	2	108-71	Spacer-5/16 IDx7/16 OD x 13/32 Lg	50	1	601-93	Vinyl Trim - 4.25"
15	2	108-18	Washer .40x1.37x.12 Zn	51	2	103-55	HHCS 5/16-18x2.75 Gr5 Zn
16	4	112-30	SHCS M8x1,25x20mm Zn	52	1	612-101	Cable Asm, Throttle
17	4	108-05	Lockwasher 5/16 Zn	53	1	610-81	Shift Gate, Transmission
18	2	811-14	Spacer	54	2	112-01	HHCS 5/16-8x3/4 Gr5 Zn
19			<b>See Section 5.0 Intake &amp; Exhaust System</b>	55	1	127-11	Spring, Extension
20	1	112-57	HHCS 5/8-11x10.0 Gr5 Zn	56	4	103-41	SHCS 3/8-16x1.25 Zn
21	3	117-09	Locknut, Nylon 5/8-11 Zn	57	4	108-23	Washer 3/8 SAE Gr8-Dich.
22	3	811-09	Washer, Square - .64 ID	58	1	601-86	Clip, Retainer
23	4	108-24	Washer 5/16 SAE Zn	59	1	100-64	Tie Wrap - 5.5" - Black
24	2	112-58	HHCS 5/8-11x7.5 Gr5 Zn	<b>60</b>			<b>See Section 5.0 Steering &amp; Brake System</b>
25	1	811-30	Frame, Powerpack - Conq.	61	2	103-18	HHCS 3/8-24x1.25 Gr5 Zn
26	2	103-20	HHCS 1/2-13x6.5 Gr5 Zn	62	6	108-24	Washer .34 x .70 x .06 Zn
27	2	108-07	Lockwasher 1/2				
28	2	117-06	Nut, Fin Hex 1/2-13 Zn				
29			<b>See Section 1.0 Transmission</b>				
30	2	811-15	Washer, Square Lock .64ID				
31	2	103-53	HHCS 3/8-16x3.0 Gr5 Full Thread				
32	1	103-34	HHCS 3/8-16x1.25 Gr5 Zn				
33	3	108-06	Lockwasher 3/8 Split Ring Zn				
34	1	125-56	Drive Belt				
35			<b>See Section 3.0 Clutch System</b>				



# Conquest Parts Manual

# 5.0 Steering & Brake System

Ref.	Qty.	Part #	Description	Ref.	Qty.	Part #	Description
1	1	612-117	Frame Assembly, Steering Column	39	2x8	108-24	Washer, .34x.70x.06 Zn
2	1	612-107	Handlebar Assembly	40	2x1	168-02	Screw, Bleeding, Knott Caliper
3	1	165-08	Master Cylinder, Grimeca - R	41	2x4	112-154	SHCS 5/16-18 x 2.75 Zn
4	1	165-07	Master Cylinder, Grimeca - L	42	2x4	117-03	Nut, Fin Hex 5/16-18 Zn
5	1	612-127	Shaft, Steering - Argo	43	2x2	160-42	FHMS M5 x 0,8 x 6mm
6	2	104-07/PI	Pin, Spring 1/4 x 1.25	44	2x1	168-08	Cover
7	1	108-47	Washer, .39 x .94 x .13 Zn Di-chr	45	2x1	168-09	Cover, Rubber
8	1	117-29	Locknut, Nylon 3/8-16 Zn	47	2x1	162-08	Spring, Comp. 17.3 x 49.3mm
9	2	612-124	Arm, Steering	48	2x1		Seal, Primary, 19mm (See Ref. 55)
10	1	612-106	Clamp, Lower Handlebar	49	2x1	168-10	Piston 19mm dia.
11	1	612-105	Clamp, Upper Handlebar	50	2x1		Seal, Secondary, 19mm (See Ref. 55)
12	1	106-07	Ring, Retaining SH-0075PA	51	2x1		Boot, Rubber (See Ref. 55)
14	2	105-16	Bushing, Oilite - 3/4 x 1/2	52	2	112-02	SHSS 10-24x1/4 Knurl Cup PT, PL
15	2	110-17	Key, 3/16 x 3/16 x .625	53	2x2	160-01	Washer, Copper 2.3 x 10.0 x 16.0
16	2	128-10	Retainer, Handbrake Cable	54	2x1	160-44	Bolt, Banjo M10 x 1,0 x 21,0 Zn
17	4	112-47	SHCS, 1/4-20 x 1.0 Zn	55	2x1	161-25	O-Ring Kit, Master Cylinder - Grimeca (incl. Ref. 48, 50 & 51)
18	8	117-27	Locknut, Nylon 1/4-20 Zn	56	2	812-30	Pin, Female
19	2	103-66	HHCS, 1/4-20 x 4.0 Gr5 Zn	57	2	117-03	Nut, Fin Hex 1/4-20 Zn
20	4	108-08	Washer, .28 x .62 x .04 Zn	58	2	812-31	Fin, Male
21	2	812-17	Collar	59	2	160-45	Bolt, Banjo
22	1	128-08	Lever Assembly, Handbrake	60	4	160-04	Washer, Copper - 2,3 x 10,0 x 16,0
23	1	128-09	Cable Assembly, Handbrake	61	2	103-08	HHCS, 1/4-20 X 1.0 Zn
24	2	127-35	Grip, Molded	62	1	21119-2157	Igniter
25	1	127-81	Throttle Twist Grip	63		126-19	Fluid, Brake-Silicon Dot 5 - .35L
26	1	612-101	Cable Asm., Throttle				
27	1	100-64	Tie Wrap - 5.5" - Black				
28	2	161-05	O-Ring Kit, Knott Caliper				
29	2		Seal, Piston				
30	2		Seal, Rubber				
31	2x1	168-20	Plug, Rubber				
32	1	170-03	Pad Set (4), Brake - Non-Asbestos				
33	2x2	168-07	Pin, Cotter 1/8 x 3.00 Zn				
34	2x2	168-01	Piston, Knott Caliper				
35	2x1	163-01	Hose Asm, Hydraulic-310mm				
36	2	112-159	BHCS, 1/4-20 x 1.0, Plated				
37	1	166-10	Caliper, Hydraulic Brake - L, w/o pads				
38	1	166-11	Caliper, Hydraulic Brake - R, w/o pads				

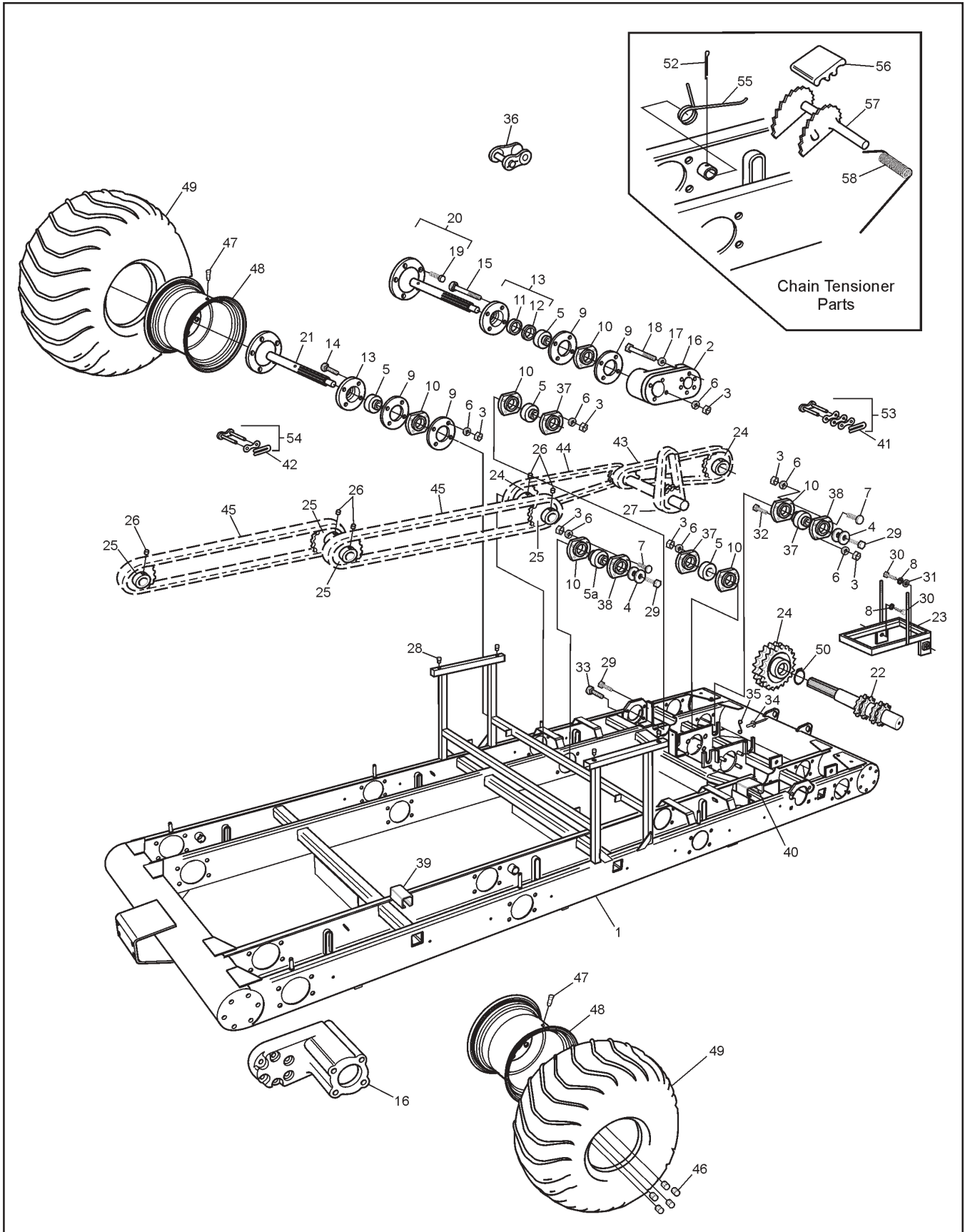


# Conquest Parts Manual

# 6.0 Vehicle Body & Firewall

Ref.	Qty.	Part #	Description
1	1	801-98	Body & Hood, Upper - Conq, (spec. colour) (incl. Ref 5,11,12,13,14,15)
2	1	801-48BL	Body, Lower - Conq, (spec. colour)
3	1	127-28	Plug, Nylon - Black
4	1	801-05	Bumper, Vinyl - 8x8
5	1	602-34	Hood Kit - Conq, (spec. colour) (incl. 6,7,9,10,81,82,83,84)
6	1	602-38	Clip, Hood
7	23	120-13	Rivet 3/16x5/8 - Black
8	63	120-09	Rivet 3/16x1 - Black
9	2	126-10	Wing Stud
10	2	126-09	Grommet, Alum.
11	1	602-24	Frame Asm, Hood
12	2	120-15	Rivet 1/8x7/16
13	1	601-69	Spring Plate
14	1	126-11	Spring
15	2	103-72	Screw, IHWH T/C Slot 1/4-20x3/4
16	1	602-29	Brace, Dash
17	1	601-08	Trim, Vinyl - 84"
18	2	601-09	Trim, Vinyl - 28"
19	4	112-04	HHCS 1/4-20x3/4 Gr2 Zn
20	16	108-25	Washer .31x.75x.06 Zn
21	4	108-03	Lockwasher 1/4
22	4	801-41	Washer, Seat
23	4	126-79	Bumper, Plastic - Black
24	8	103-48	T/S Pan HD PHIL #10x5/8
25	30	120-24	Rivet, 3/32x3/8 Alum. (all plates)
26	4	117-44	T-Nut 1/4-20 Zn
27	2	127-27	Nameplate - Conquest
28	1	601-44	Nameplate - Argo
29	1	801-03	Seat, Rear LH - 8x8
30	1	801-02	Seat, Rear RH - 8x8
31	1	609-41RM	Firewall - Handle Bar Steering
32	1	803-02	Floor Pan - Front - (spec. colour)
33	1	803-03	Floor Pan - Rear - (spec. colour)
34	1	127-144	Label, Warning - HOT
36	57	120-04	Washer .19x.50x.08 Zn

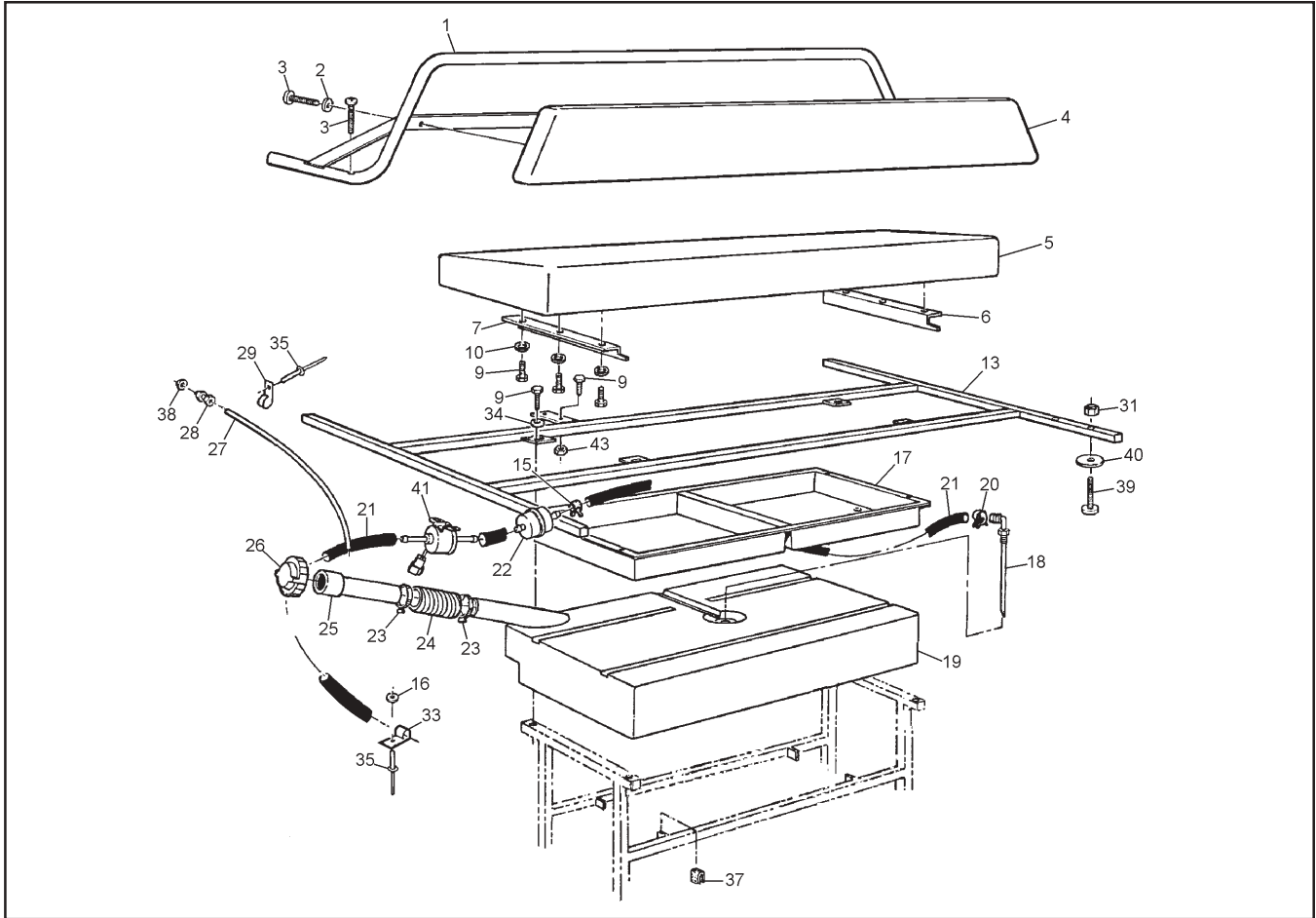
Ref.	Qty.	Part #	Description
37	1	126-60	Vinyl Strip 1/2"x1/4"x37.5'
38	4	120-05	Washer .19x.50x.04 Zn
39	6	100-16	Clip, Hitch Pin 1.625 Zn
40	2	100-18	Plug, Drain 5/8"x13/32"
41	32	120-28	Collar, Magna Grip
43	32	120-27	Pin, Magna Grip
44	1	863-11	Skid Plate, 8x8 - Black
45	1	126-88	Bumper, Rubber
47	4	103-61	HHCS 3/8-24x1.5 Gr5 Zn
48	4	117-24	Locknut, Nylon 3/8-24 Zn
49	1	616-16	Hitch Assembly
50	1		Vehicle ID Plate, Alum.
51	1	127-152	Plate, Shifting
52	1	127-153	Plate, Keyswitch
53	1	126-67	Plate, Floor Pan
54	1	126-68	Plate, Operation
55	1	126-69	Plate, Fuel
56	1	127-76	Plate, Cap. Land/Water
58	1		U.S. Plate, Non-U.S. Argos only
61	1	125-41	Handle, Dash (incl. 62)
62	2		Plug Cap, (avail. only with 61)
63	3	117-10	Locknut, Nylon #10-24 Zn
65	3	103-25	PHMS #10-24x3/4 Zn
67	2	127-01	Reflector, Red
69	1	807-73	Screen, Intake - Conquest
70	1	807-98	Screen, Exhaust - Conquest
72	28	120-11	Rivet 5/32 x 9/16 - Black
73	1	117-15	Nut, Fin Hex 3/8-16 Zn
74	1	602-27	Support, Adjustable
75	1	103-89	C/Bolt 3/8-16x3/4 Gr2 Zn
76	1	108-06	Lockwasher 3/8
78	1	616-19	Tube, Hitch
79	1	104-13	Pin, Top Link
80	1	104-11	Pin, Lynch
81	2	127-45A	Pin, Hinge
82	2	127-45B	Knuckle, Hinge
83	8	103-47	HHCS 10-24x1/2
84	8	108-59	Lockwasher #10 Int. Tooth Zn





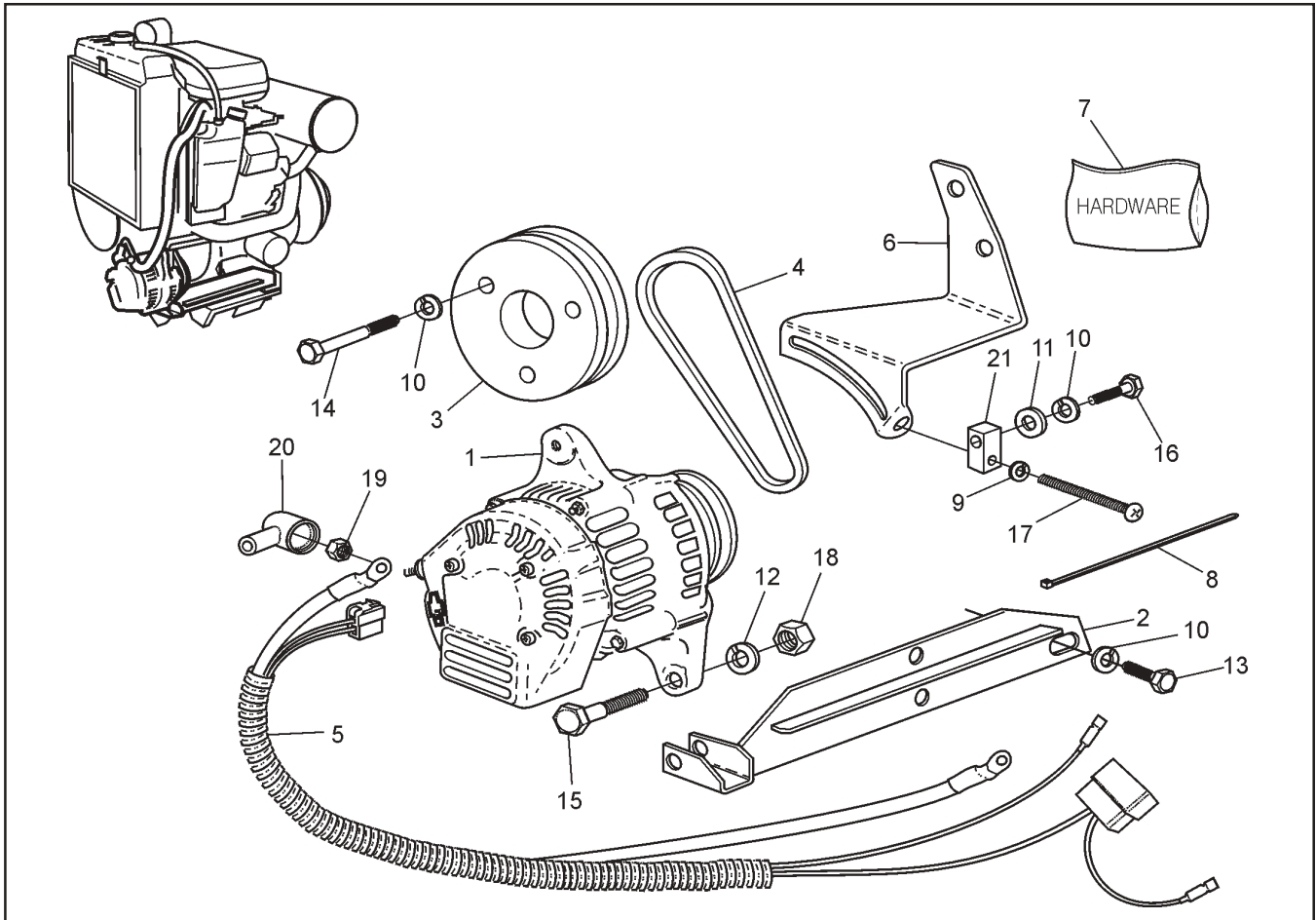
Ref.	Qty.	Part #	Description
1	1	806-00	Frame Asm - 8x8
2	2	606-24	Gasket - Bearing Extension
3	80	117-29	Locknut, Nylon 3/8-16 Zn
4	16	108-46	Washer .40x1.37x.12 Hi-Carbon
5	12	101-35	Bearing, Ball - 1.25
5a	8	101-41	Bearing, Ball - 1.0
6	82	108-15	Washer, .42x.81x.05 Zn
7	30	103-88	C/Bolt 3/8-16x1.0 Gr5 Zn
8	2	108-06	Lockwasher 3/8 Split Ring Zn
9	16	605-89	Gasket, Flange - Outer
10	20	605-63	Flange - 4 hole
11	8	102-14	Seal, Oil 1.25x1.75x0.188
12	8	102-15	Seal, Oil 1.25x1.874x0.25
13	8	605-97	Flange Asm, Outer (incl. Refs. 11 & 12)
14	16	112-39	C/Bolt 3/8-16x1.75 Gr5 Zn
15	16	112-134	C/Bolt 3/8-16 x 6 Gr2 Zn
16	4	810-52	Bearing Extension (uses Refs. 17 & 18)
17	24	108-34	Washer 7/16 SAE Zn
18	24	103-81	HHCS 7/16-20x2.5 Gr5 Zn
19	5x8	103-80	Stud, Wheel 7/16-20x1.125 #B271
20	4	810-73	Axle Asm - Front/Rear (incl. Ref. 19)
21	4	810-75	Axle Asm - Mid (incl. Ref. 19)
22	2	810-32	Shaft, Idler - 11T
23	1	604-84	Frame Asm, Battery
24	6	810-28	Sprocket, Double - 24T
25	8	606-34	Sprocket, S60x19T
26	10	112-03	SHSS 5/16-18x3/8 1/2 DOG, PL
27	2	803-17	Chain, Idler RC50-2x40P (incl. Ref. 53)
28	4	117-64	Insert, 1/4-20
29	12	112-31	HHCS 3/8-16x1.0 2B Gr8 Zn
30	2	112-14	HHCS 3/8-16x.75 Gr5 Zn
31	1	108-15	Washer 3/8 SAE Zn
32	2	103-82	HHCS 3/8-16x1.5 Gr5 Zn
33	4	112-61	C/Bolt 3/8-16 x 1.25 Gr5 Zn
34	2	120-15	Rivet 1/8x7/16
35	1	126-11	Spring
36		127-80	Link, Half - RC60 - 1 (opt.)
37	4	101-80	Flange, Greaseable - 90 Degree
38	8	101-20	Flange, Greaseable - 4 hole
39	4	606-42	Slide, Chain - 1.25"
40	2	606-41	Slide, Chain - 2"
41		603-95	Spring Clip - RC 50 Closed
42		603-96	Spring Clip - RC 60 Closed
43	2	603-17	Chain, RC50-2 x 42P-Front (incl. Ref. 53)
44	2	603-20	Chain, RC50-2 x 70P-Mid (incl. Ref. 53)
45	4	603-93	Chain, RC60-1 x 84P-Rear (incl. Ref. 54)
46	5x8	117-35	Nut, Wheel 7/16-20 Zn
47	8	125-26	Valve, Tire
48	8	125-13C	Rim - Charcoal
49	8	126-96	Tire, Goodyear Runamuk 22x10-8
50	2	107-10	Retaining Ring, Sh-0125-PA
52	6	100-01	Pin, Cotter 1/8x1.50 Zn
53	1x6	100-96	Con. Link, RC50-2 H.D.
54	1x4	603-84	Con. Link, RC60-1 H.D.
55	6	127-65	Spring Torsion - 1.16x0.35
56	6	606-39	Slider Block -1/2" Shaft
57	6	606-35	Tensioner Asm, Chain
58	6	127-64	Spring, Torsion - .76x1.9

# 8.0 Fuel System & Seat Assembly Conquest Parts Manual



Ref.	Qty.	Part #	Description	Ref.	Qty.	Part #	Description
1	1	803-50	Handrail Assembly	24	1	125-94	Hose, Filler
2	4	108-03	Lockwasher 1/4	25	1	126-47	Neck Asm, Fuel
3	6	112-41	PHMS, PHIL 1/4-20x1.25 Zn	26	1	126-46	Cap, Fuel
4	1	608-39	Back Pad Asm	27	1	127-21	Hose, Vent - 86"
5	1	608-43	Seat, Bench	28	1	126-50	Male Connector, 1/4"
6	1	608-30	Angle, Left	29	6	126-94	Clamp, Nylon Wire - 1/4"ID
7	1	608-31	Angle, Right	31	12	117-10	Locknut, Nylon #10-24 Zn
9	12	112-04	HHCS 1/4-20x3/4 Gr2 Zn	33	3	126-93	Clamp, Nylon Wire - 1/2"ID
10	6	108-03	Lockwasher 1/4	34	4	108-08	Washer .28x.62x.04 Zn
13	1	804-17	Frame Asm, Seat	35	8	120-09	Rivet 3/16x1 - Black
15	2	112-78	Clamp, Hose, 9/16" - Black	37	4	702-06	Foam Cushion
16	2	120-04	Washer .19x.50x.08 Zn	38	1	117-54	Nut, Locking PAL 1/2-20 Zn
17	1	608-32	Tool Box	39	12	112-07	RHMS 10-24x1.5 Zn
18	1	608-28	Pickup Assembly, Fuel (See Ref. 19)	40	12	108-42	Washer .21x1.0x.06 Zn
19	1	608-24	Tank, Fuel - 32 litre (incl. Ref. 18)	41	1	49040-2065	Pump, Fuel
20	4	112-79	Clamp, Hose, 1/2" - Black	43	2	117-27	Locknut, Nylon 1/4-20 Zn
21	1	608-42	Fuel Hose - 110"				
22	1	125-64	Fuel Filter				
23	2	100-12	Clamp, Gear 2.25" HF-36				

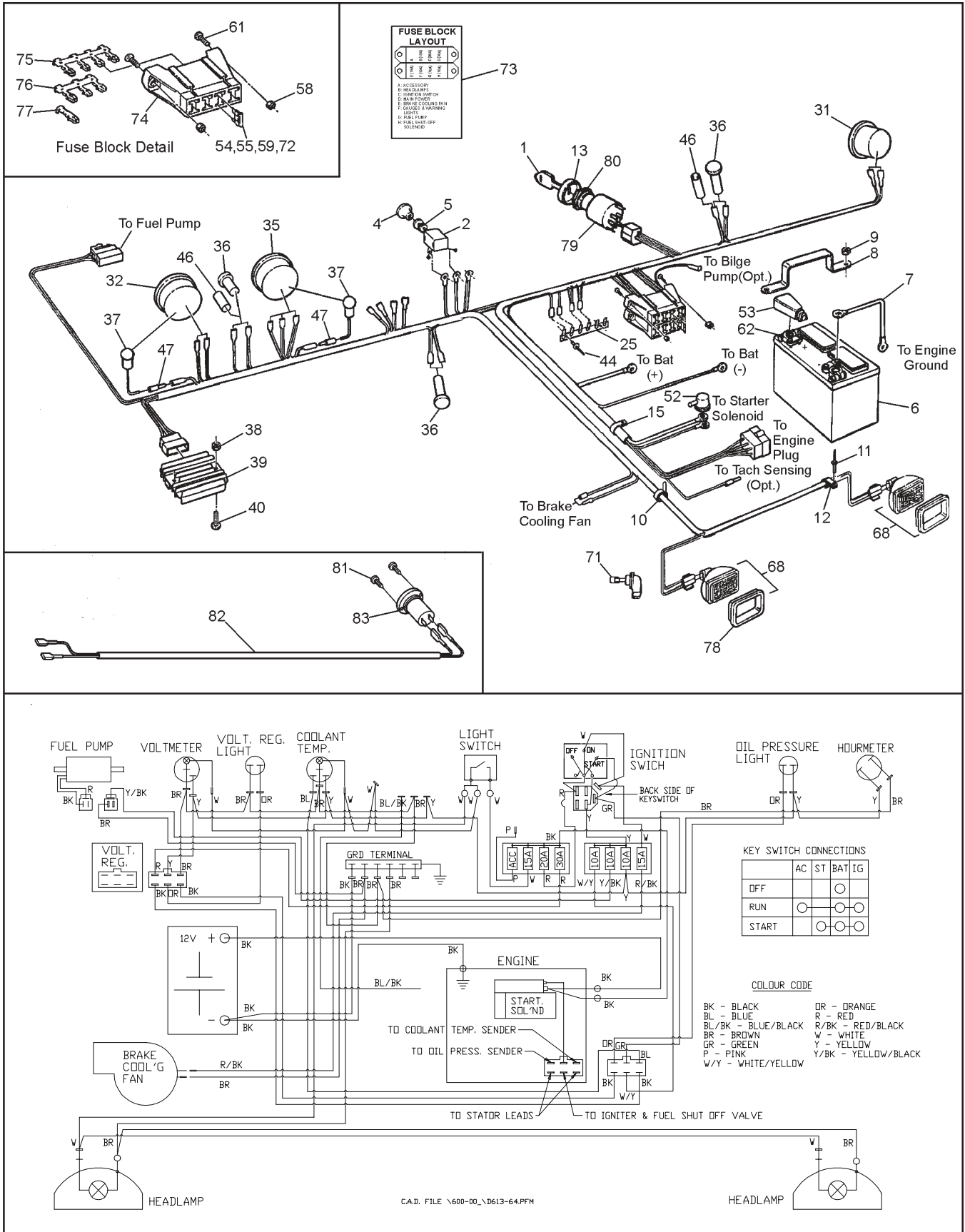




Ref.	Qty.	Part #	Description
1	1	850-41	Alternator - 40 amp
2	1	850-42	Bottom Bracket
3	1	850-44	Pulley
4	1	850-45	V-Belt, 3/8" x 19"
5	1	850-46	Wire Harness
6	1	850-53	Top Bracket
7	1	<b>850-40HDW</b>	<b>Hardware Kit comprised of:</b>
8	2	100-64	Tie Wrap - 5.5" - Black
9	1	108-03	Lockwasher 1/4" Split-ring Zn
10	9	108-05	Lockwasher 5/16" Split-ring Zn
11	1	108-24	Flat Washer .34 x .70 x .06 Zn
12	1	108-27	Lockwasher 7/16" Split-ring Zn
13	2	112-20	HHCS M8 x 1.25 x 25mm
14	3	112-21	HHCS M8 x 1.25 x 60mm Zn
15	1	112-22	HHCS M10 x 1.50 x 50mm Zn
16	1	112-63	HHCS M8 x 1.25 x 35mm Gr 5 Zn
17	1	112-65	RHMS 1/4 - 20 x 3" Phil Zn
18	1	117-62	Nut, Hex M10 x 1.50 Zn
19	1	117-63	Nut, Hex M6 x 1.0 Zn
20	1	613-45	Insulator, Terminal (6ga.)
21	1	850-52	Block, Adjuster

# 10.0 Electrical System

# Conquest Parts Manual



Ref.	Qty.	Part #	Description
1	2	127-108	Key, Molded
2	1	100-62	Switch, Light
3	1	613-64	Wire Harness - Conquest (incl. Fuse Holders)
4	1	126-76	Knob, Light
5	1	108-55	Lockwasher 7/16 External Tooth
6	1	127-54	Battery, Exide 45-50
7	1	613-14	Wire, Ground - 14"
8	1	604-52	Bracket, Battery Retaining
9	2	117-21	Locknut, Nylon 5/16-18 Zn
10	8	100-64	Tie Wrap, 5.5" - Black
11	6	120-13	Rivet 3/16x5/8 - Black
11a	10	120-09	Rivet 3/16x1 - Black
12	16	126-93	Clamp, Nylon Wire-1/2" ID
13	1	127-107	Cover, Nut
15	5	127-24	Clamp, Nylon - 1" ID
25	1	613-37	Terminal Strip, Ground
31	1	632-15	Hourmeter
32	1	633-10	Voltmeter
35	1	634-22	Gauge, Water Temperature
36	3	634-08	Light, Indicator
37	2	634-10	Light Kit, #06215-00
38	2	117-27	Locknut, Nylon 1/4-20 Zn
39	1	21066-2070	Regulator, Voltage
40	2	103-63	PHMS, PHIL 1/4-20x1.0 Zn
44	2	120-15	Rivet 1/8x7/16
46	2	118-48	Heat Shrink, 2 x 1/2
47	2	118-02	Terminal, Male #76-1251
52	1	613-46	Terminal Insulator (2 ga.)
53	1	127-55	Cap, Battery Terminal
54	1	118-53	Fuse, 20A 2 prong (AT020)
55	2	118-49	Fuse, 15A 2 prong (AT015)
58	4	117-10	Locknut, Nylon #10-24 Zn
59	3	118-52	Fuse, 10A 2 prong (AT010)
61	4	103-25	PHMS #10-24x3/4 Zn
62	2	127-56	Terminal, Battery Post
68	2	613-62	Headlamp Asm (incl. Refs. 71 & 78)
71	2	127-46	Bulb, Headlight - Halogen
72	1	118-51	Fuse, 30A 2 prong (AT030)
73	1	127-126	Label, Fuse Panel - Kawasaki (located on Guard, Belt Protect - see pg.5)
74	2	118-60	Block - Fuse, 8 position (4 fuse)
75	1	118-61	Terminal - Fuse, quad
76	1	118-63	Terminal - Fuse, triple
77	9	118-62	Terminal - Fuse, single
78	2	613-62RB	Bezel, Rubber Headlamp
79	1	127-105	Switch, Ignition
80	1	127-106	Nut, flanged, plastic
81	3	112-139	#4 Phil Drive Oval Head Screw, Black
82	1	613-91	Wire Harness, 12V Acc. Outlet
83	1	613-90	Outlet, 12VDC

# **ARGO** Products Manufactured by:

## **Ontario Drive & Gear Limited**

220 Bergey Court  
New Hamburg, Ontario  
Canada N3A 2J5  
Phone: (519) 662-2840  
Fax: (519) 662-2421

**ODG** *Dedicated to quality and performance*