

Argo 8x8

Avenger 750 EFI



Argo 8x8

Avenger 700

Argo 8x8

Avenger

PARTS MANUAL

From Serial # ...28591

Foreword

ODG has prepared this parts manual for the AVENGER model to assist both qualified mechanics and vehicle owners in ordering correct, quality replacement ARGO parts. For the most current parts manual visit our website at www.argoatv.com.

Proper and regular service, and replacing old, worn or broken parts with the correct ARGO replacement parts, are both essential to prolonging the life of the ARGO. Please refer to this parts manual and/or our website www.argoatv.com before ordering any replacement part.

All information contained in this AVENGER Parts Manual is based on the latest product specification available at time of printing. If your AVENGER differs from the specifications contained in this manual, check our website www.argoatv.com for the most current information.

ODG reserves the right to alter specifications on the AVENGER model at any time, without obligation or prior notification.

Reproduction of this AVENGER Parts Manual, in whole or in part, is prohibited without prior written permission from Ontario Drive & Gear Limited.

Vehicle Identification

AVENGER - Serial Nos. ...28591

Explanation of Parts Manual Format

Ref	- Reference number between assembly diagram and component parts list
Part No.	- Argo replacement part number for identification and re-ordering
Description	- Part description for identification and re-ordering
Qty	- Indicates the quantity of a part used in an assembly

Argo 8x8 ***Avenger 750 EFI***

Argo 8x8 ***Avenger 700***

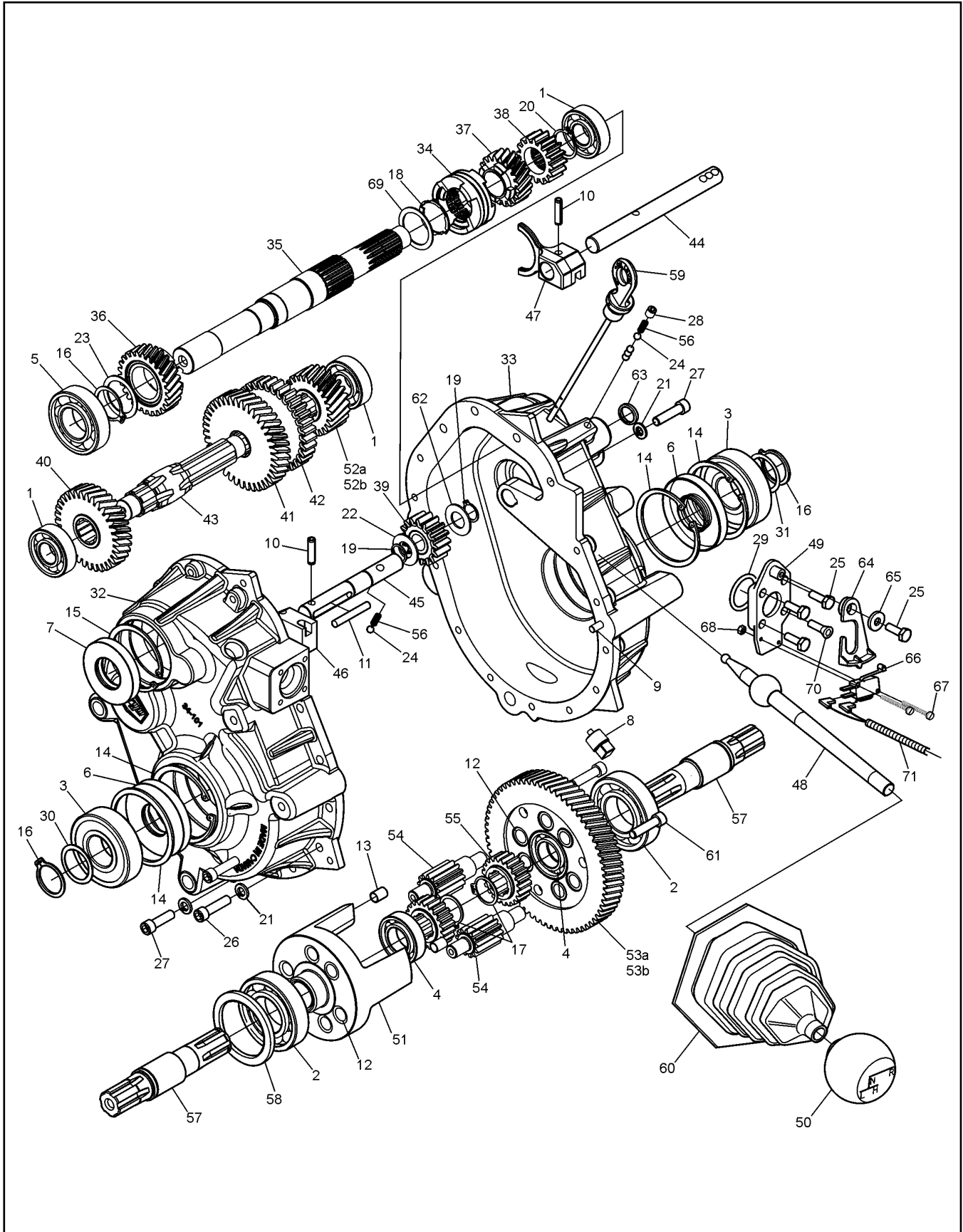


Using the Parts Manual

1. Find the major vehicle assembly in the Table of Contents on this page, and turn to that section.
2. Locate the part in the illustration that you wish to order.
3. Refer to the parts list in that section.
4. Find the correct part number (Part No.), part description (Description) and correct quantity (Qty).
5. Use *only* this information to order ARGO replacement parts. *DO NOT* attempt to order a replacement part by reference number or page number.

Table of Contents

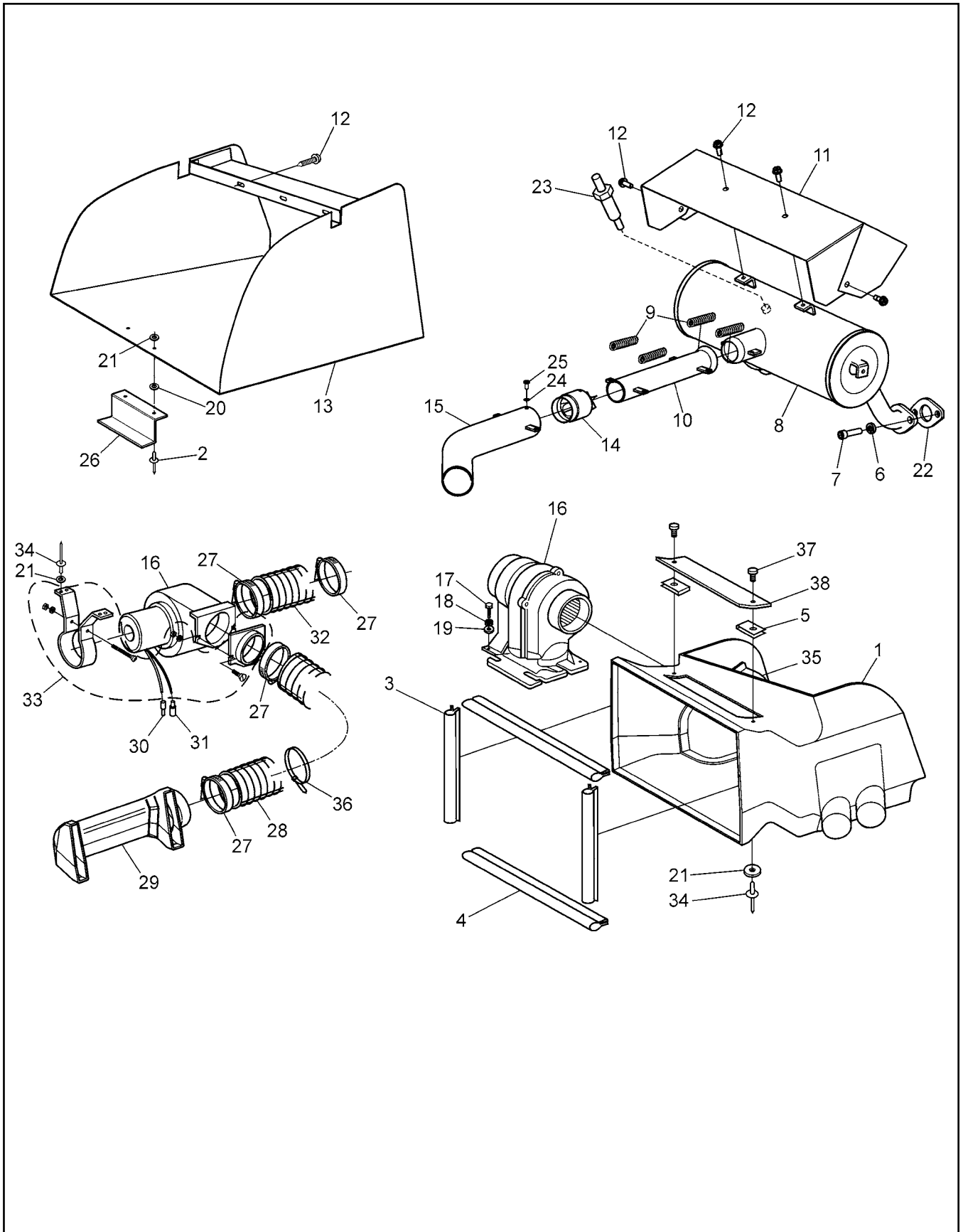
Foreword	i
Vehicle Identification.....	i
Using the Parts Manual	ii
1.0 Transmission	1
2.0 Intake and Exhaust System.....	3
3.0 Clutch System	5
4.0 Power Pack Assembly	7
5.0 Steering & Brake System	9
6.0 Parking Brake	11
7.0 Vehicle Body & Firewall.....	13
8.0 Frame & Drive System	15
9.0 Fuel System & Seat Assembly	17
10.0 Electrical System.....	19



Avenger Parts Manual

1.0 Transmission

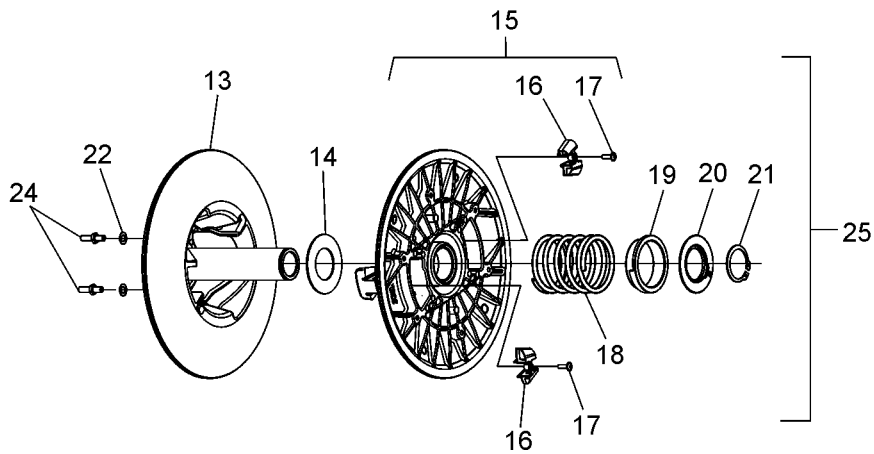
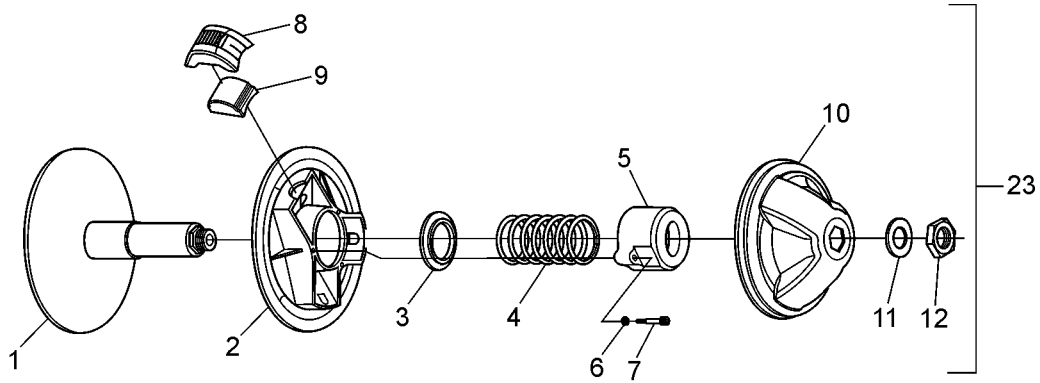
Ref.	Qty.	Part #	Description	Ref.	Qty.	Part #	Description
	1	34-100	Transmission Assembly	40	1	34-109	Gear, Helical - HI 12DP 33T
	1	34-100-3.3	Transmission Assembly	41	1	34-110	Gear, Helical - LOW 12DP 39T
1	3	101-01	Bearing, Ball 6204Z-C3	42	1	34-111	Gear, Reverse - 10DP 33T
2	2	101-03	Bearing, Ball 6207-C3	43	1	34-112	Shaft, Spline
3	2	101-05	Bearing, Ball 6306LLU-C3/2A	44	1	34-113	Shaft, Shift - Forward
4	2	101-15	Bearing, Ball 6005-C3	45	1	34-114	Shaft, Shift - Reverse
5	1	101-16	Bearing, Ball 6206-C3	46	1	34-115	Block, Shift
6	2	102-03	Seal,Oil WBS 30x72x10 NB D/LIP	47	1	34-116	Fork, Shift
7	1	102-05	Seal,Oil WBS 30x62x10 NB D/LIP	48	1	34-117	Lever, Shift
8	1	103-02	Plug, Magnetic 3/8-18NPT SQ.HD	49	1	34-131	Plate, Shifter
9	2	104-03	Pin, Dowel 1/4x7/8	50	1	34-121	Knob, Shift - w/Argo Logo
10	2	104-39	Pin, Spring - 1/4 x 1.0	51	1	34-122	Cage, Differential
11	1	104-40	Pin, Dowel - 1/4 x 1.75	52a	1	34-123	Pinion, Helical - 25T - 2.6
12	12	105-03	Bushing, Oilite - 1/2x3/4	52b	1	34-125	Pinion, Helical - 21T - 3.3
13	3	105-23	Bushing, Dowel - .312 x .5	53a	1	34-124	Gear Plate - 66T - 2.6
14	4	106-03	Retaining Ring HO-281PA	53b	1	34-126	Gear Plate - 70T - 3.3
15	1	106-05	Retaining Ring HO-244-PA	54	6	34-13	Gear, Planet - 12T
16	3	107-02	Retaining Ring SH-0118-PA	55	2	34-14	Gear, Sun - 21T
17	2	107-04	Retaining Ring SH-0098-PA	56	2	34-32	Spring, Comp. 0.22x.50
18	1	107-14	Retaining Ring LC-125-PA	57	2	34-98	Shaft, Output - Splined
19	2	107-11	Retaining Ring	58	1	114-01	Washer, Shim 2.25 x 2.81 x .02
20	1	107-15	Retaining Ring SHR-098-PA	59	1	CE-035	Dipstick - with Breather - 190mm
21	15	108-05	Lockwasher 5/16 Split Ring Zn	60	1	609-38	Boot, Shifter
22	1	108-78	Washer, Thrust	61	3	112-64	SHCS, 5/16-18 x 1.25
23	1	108-79	Washer, Thrust	62	1	108-88	Washer, Retaining Thrust
24	5	109-05	Ball, Steel 6mm 62-67 Rc	63	1	113-16	O-Ring #AS568-014-70BN 5/8"OD x 1/2"ID x 1/16" Thk
25	4	112-04	HHCS 1/4-20x3/4 Gr2 Zn	64	1	34-132	Follower, Neutral Start
26	14	112-143	SHCS 5/16 x 1.25 Zn	65	1	108-08	Washer, .28 x .62 x .07 Zn
27	1	112-144	SHCS 5/16 x 1.0 Zn	66	1	809-202	Switch, Limit - Two Pole
28	1	112-145	SHSS 5/16 - 18 X 3/8	67	2	112-172/PI	SHMS, #5-40x3/4 Zn
29	1	113-11	O-Ring #AS568-216-70BN	68	2	112-173/PI	Locknut, #5-40 Zn
30	1	114-04	Washer, Shim 1.19x1.50x.04	69	1	108-85	Washer, Retaining Thrust
31	1	114-05	Washer, Shim 1.19x1.50x.02	70	1	112-171	FHSC 1/4-20 x 3/4 Gr2 Zn
32	1	34-101	Housing, Transmission - L	71	1	613-112	Wire Harness, Neutral Start
33	1	34-102	Housing, Transmission - R				
34	1	34-127	Clutch, Dog				
35	1	34-130	Shaft, Input - 19/15T Spline				
36	1	34-128	Pinion, Helical - HI 12DP 26T				
37	1	34-129	Pinion, Helical - LO 12DP 20T				
38	1	34-107	Pinion, Reverse - 10DP 16T				
39	1	34-108	Gear, Idler - Rev - 10DP 16T				



Ref.	Qty.	Part #	Description
1	1	809-03	Duct, Intake
2	2	120-13	Rivet, 3/16 x 5/8 - Black
3	2	809-05	Seal, Radiator - 10.25" LG
4	2	809-06	Seal, Radiator - 16.25" LG
5	1	601-111	Cover Plate, Intake Duct
6	4	108-05	Lockwasher 5/16 Split Ring Zn
7	4	112-30	SHCS M8 x 1,25 x 20mm Zn
8	1	607-119	Muffler Ass'y, Avenger 1.25
8a	1	607-121	Muffler Ass'y, Avenger EFI
9	4	126-57	Spring, Extension- 7/16 x 2.14
10	1	607-125	Tube Ass'y, Muffler, Flared
11	1	607-123	Shield, Heat - Muffler
12	7	112-19	Screw, IHWH T/C Slot 1/4-20 x 1/2
13	1	607-109	Duct, Exhaust
14	1	607-126	Spark Arrester, 1.75 Dia.
15	1	607-132	Pipe, Tail - Asm
16	1	125-91	Blower Fan
17	4	103-47	HHCS, #10-24 x 1/2
18	4	120-05	Washer, .19 x .50 x .04
19	4	108-59	Lockwasher #10 Int. Tooth
20	2	125-58	Washer, Fibre - W-77F
21	14	120-04	Washer, .19 x .50 x .08 Zn
22	2	24 041 49	Gasket, Exhaust Manifold
23	1		See Section 4.0 Power Pack Assembly
24	1	108-77	Lockwasher, #8 External Tooth
25	1	112-43	Screw IHWH #8 x 3/8
26	1	707-44	Support, Exhaust Duct - Avenger
27	4	125-35	Clamp, Gear 3.50" HF-52
28	1	127-139	Hose, Brake Fan Discharge
29	1	127-134	Duct, Brake Cooling
30	1	118-02	Terminal, Male #76-1251
31	1	118-03	Terminal, Female #76-1289
32	1	127-140	Hose, Brake Fan Inlet
33	1	125-92	Adpt. & Mounting Kit - includes the following:
	1		Mounting Bracket
	1		Nut, #10-32
	1		Lockwasher, 3/16"
	1		Screw, #10-32 x 2"
	2		Nut, 1/4-20
	2		Lockwasher, 1/4"
	2		Screw, 1/4-20 x 5/8"
	1		Adaptor, 3" dia.
34	13	120-09	Rivet, 3/16 x 1.0 Black
35	1	809-04	Shroud, Intake Duct
36	1	100-102	Tie Wrap, 14" - White
37	2	112-186	Thumbscrew, 1/4-20 x 1, Nylon
38	2	117-89	U-clip, Tapped 1/4-20 x .531

3.0 Clutch System

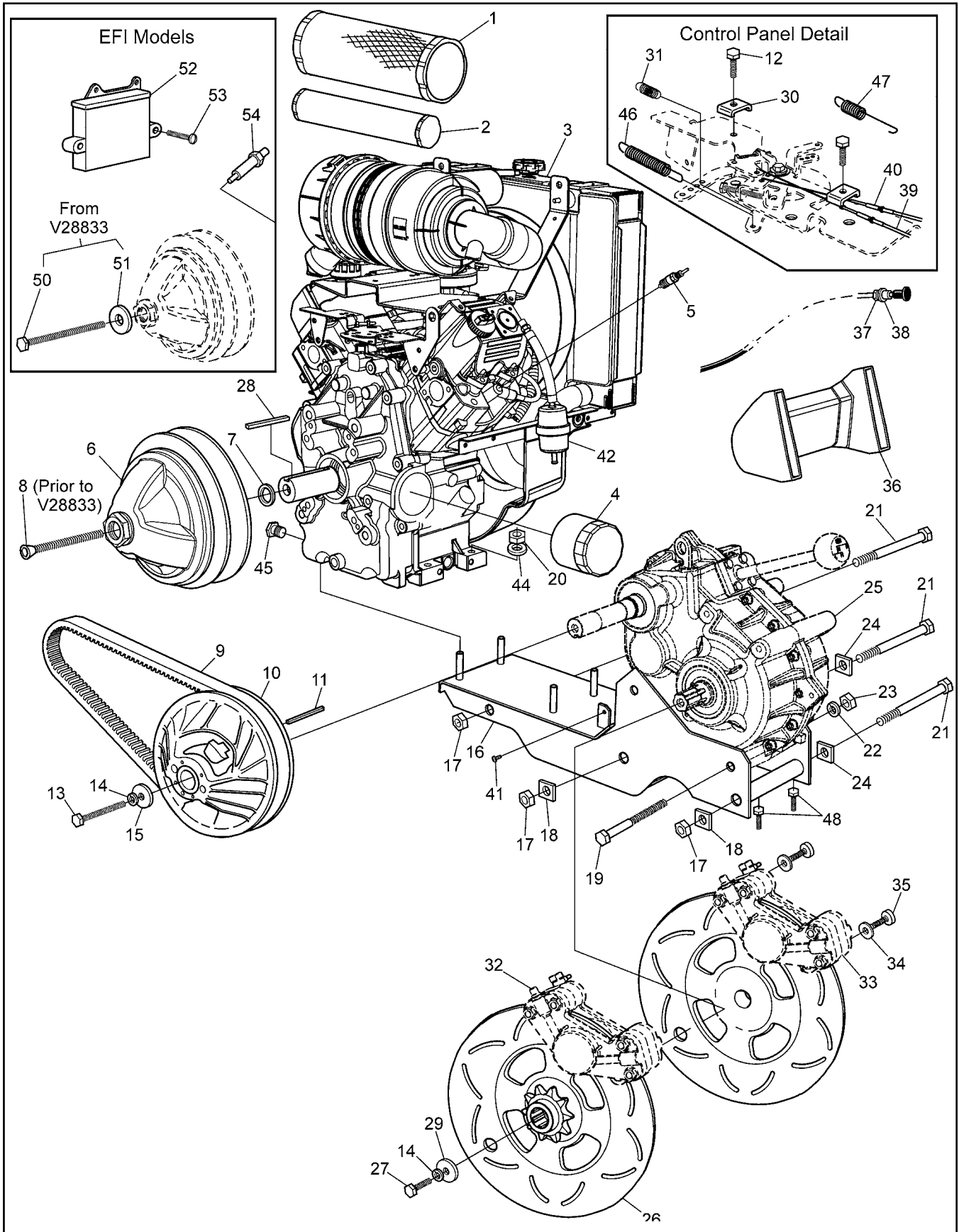
Avenger Parts Manual



Ref.	Qty.	Part #	Description
1	1	0405-0075	Flange, Fixed
2	1	0410-0026	Flange, Sliding
3	1	0150-1014	Spring Guide Washer
4	1	0451-1114	Spring
5	1	0440-0005	Spring Cover
6	3	0080-0167	Lockwasher
7	3	0080-0021	Screw, Cap
8	3	0130-3009	Block
9	3	0135-3065	Weight (275gr)
	3	0135-3062	Weight (240gr) - EFI Model
10	1	0115-0047	Cap
11	1	0080-0153	Washer, Zn
12	1	0080-0100	Nut
13	1	5905-0003	Flange, Fixed
14	1	0080-0164	Washer, Shim
15	1	5910-0002	Flange, Sliding
16	3	5930-3001	Cam Shoe
17	2	0080-0031	Screw
18	1	5951-1009	Spring
19	1	5950-3003	Spring Protector
20	1	5950-3002	Spring Support
21	1	0080-0216	Retaining Ring, Outside
22	2	0080-0167	Lockwasher
23	1	127-157	Clutch, Driver - EFI Models
	1	127-135	Clutch, Driver
24	2	0080-0035	Screw & Nut Ass'y
25	1	127-156	Clutch, Driven - INVANCE

4.0 Power Pack Assembly

Avenger Parts Manual



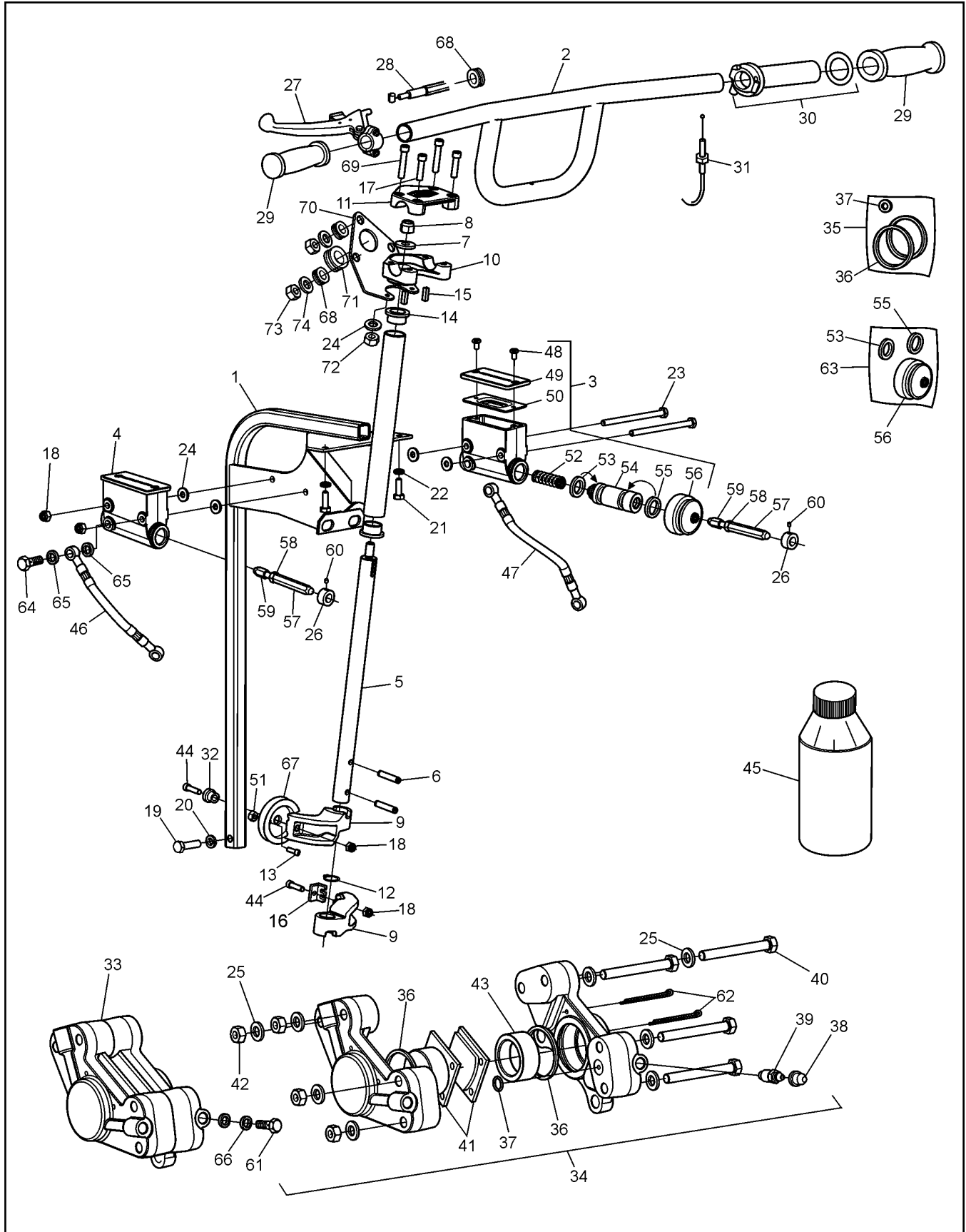
Avenger Parts Manual

4.0 Power Pack Assembly

Ref.	Qty.	Part #	Description	Ref.	Qty.	Part #	Description
1	1	25 083 01	Filter, Air	32			See Section 5.0 Steering & Brake System
2	1	25 083 04	Element, Inner	33			See Section 5.0 Steering & Brake System
3	1	LH690-0014	Kohler 26 HP Engine - prior to V28833	34	4	108-23	Washer .42 x .81 x .06 Gr8 Zn
	1	LH690-0017	Kohler 26 HP Engine - from V28833	35	4	103-41	SHCS 3/8-16 x 1.25 Zn
3a	1	LH775	Kohler 31 HP Engine, EFI	36			See Section 2.0 Intake & Exhaust
4	1	12 050 01	Filter, Oil	37	1	117-68	Nut, Jam 3/8-24 UNF Zn
5		127-193	Sparkplug, RC14YC	38	1	108-32	Lockwasher 3/8 Int. Tooth
6			See Section 3.0 Clutch System	39	1	612-92	Cable Ass'y, Choke
7	1	108-84	Washer, Engine Clutch	40	1	612-116	Cable Asm., Throttle – Avenger
8	1	112-152	FHSC, 7/16-20 x 4.0" LG - prior to V28833	41	2	103-71	Screw, IHWH T/C 1/4-20 x 1.25 Zn
9	1	127-137	Drive Belt - 10.5" Cen. Dist	42	1	125-64	Filter, Fuel
10			See Section 3.0 Clutch System	44	4	108-26	Washer, .43 x 1.02 x .09 Zn
11	1	110-03	Key 1/4 x 3/16 x 2.375 RC46	45		112-156	Plug, Oil Drain 3/8-18 NPT Hex
12	1	M-545016	Screw, Clamp Cable (Kohler #)	46	1	24 089 46	Spring, Governer (Kohler #)
13	1	112-164	HHCS 3/8-16 x 3.5 Gr5 Zn	47	1	127-49	Spring, Extension
14	3	108-06	Lockwasher 3/8 Split Ring Zn	48	2	103-53	HHCS 3/8-16 x 3.0 Full Thread
15	1	108-46	Washer .40 x 1.37 x 1.2 Hi-Carbon	50	1	112-160	HHCS, 7/16-20 x 4.50" Lg - from V28833
16	1	806-35	Frame Ass'y - Power Pack	51	1	108-58	Washer, .47 x 1.37 x 12 Hi-carbon - from V28833
17	3	117-83	Locknut, Stover 5/8-11 Zn	52	1	66 584 05	ECU (c/w engine)
18	2	811-09	Washer, Square - .64 ID	53	2	112-161	PHMS, 10-24 x 2.5
19	2	103-20	HHCS 1/2-13 x 6.5 Gr5 Zn	54	1	24 418 05	02 Sensor
20	4	117-29	Locknut, Nylon 3/8-16 Zn				
21	3	112-58	HHCS 5/8-11 x 7.5 Gr5 Zn				
22	2	108-07	Lockwasher 1/2 Split Ring Zn				
23	2	117-06	Nut, Fin Hex 1/2-13 Zn				
24	2	811-15	Washer, Square Lock .64 ID				
25			See Section 1.0 Transmission				
26	2	606-74	Disc, Brake-Splined #60-10T				
27	2	103-18	HHCS 3/8-24 x 1.25 Gr5 Zn				
28	1	110-18	Key 1/4 x 1/4 x 1.75				
29	2	108-18	Washer .40 x 1.37 x .12 Zn				
30	1	12 237 01	Clamp, Cable (Kohler #)				
31	1	24 089 51	Spring, Throttle (Kohler #)				

5.0 Steering & Brake System

Avenger Parts Manual



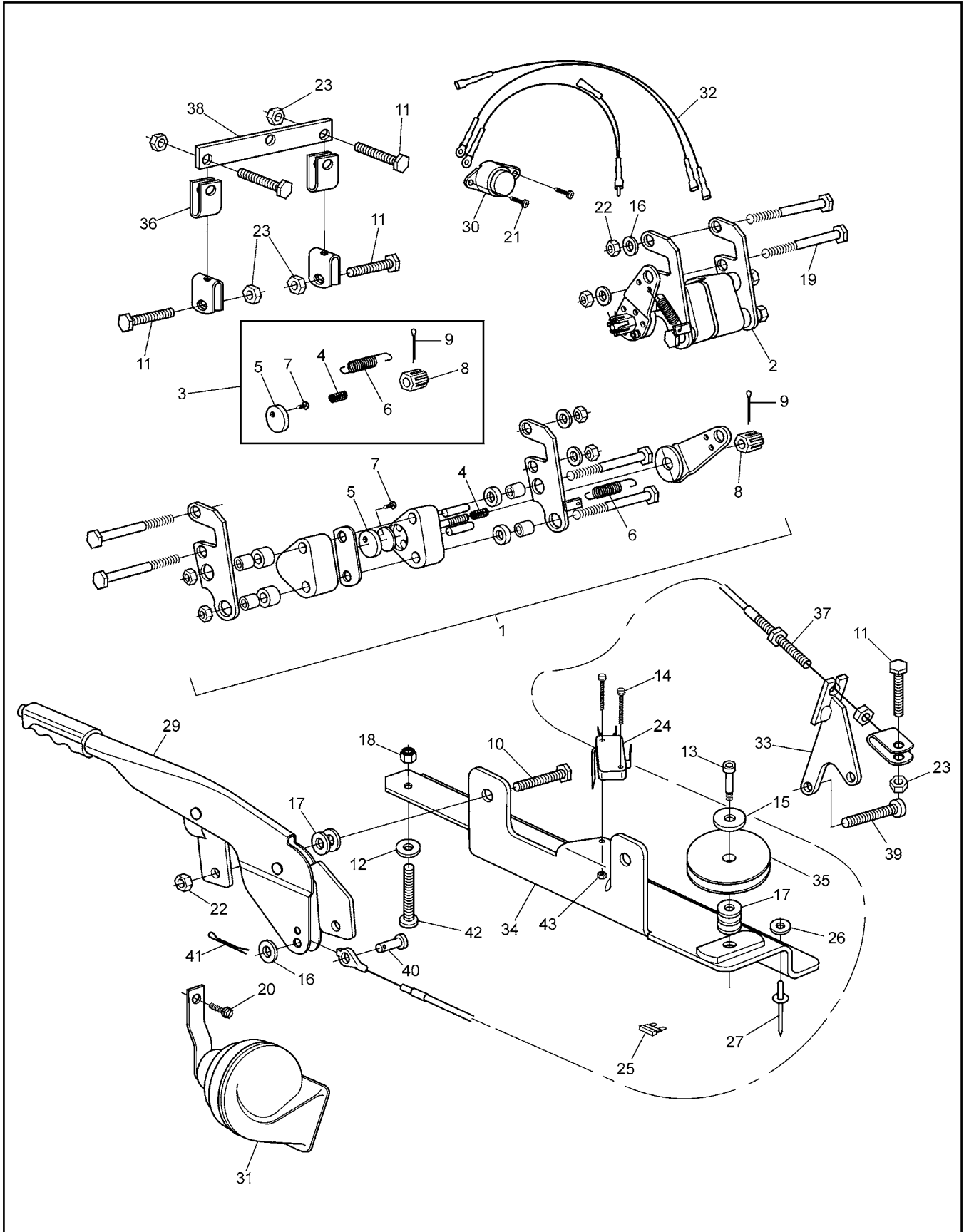
Avenger Parts Manual

5.0 Steering & Brake System

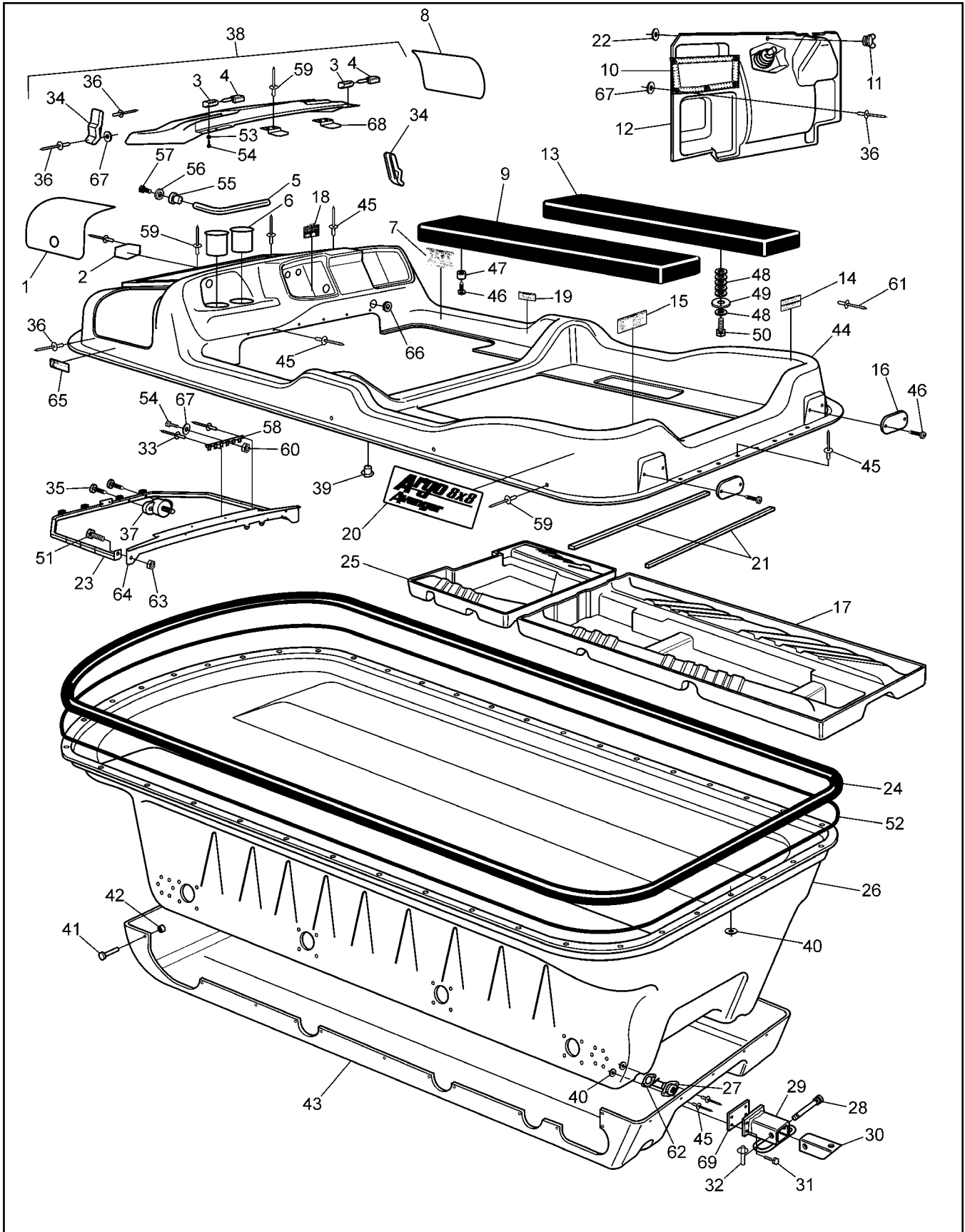
Ref.	Qty.	Part #	Description	Ref.	Qty.	Part #	Description
1	1	612-123	Frame Assembly, Steering Column	44	2	112-159	BHCS, 1/4-20 x 1.0, Plated
2	1	612-107	Handlebar Assembly	45		126-19	Fluid, Brake-Silicon Dot 5 - .35L
3	1	165-08	Master Cylinder, Grimeca - R	46	1	163-05	Hose Asm, Hydraulic - Left
4	1	165-07	Master Cylinder, Grimeca - L	47	1	163-06	Hose Asm, Hydraulic - Right - SS
5	1	612-128	Shaft, Steering - Avenger	48	2x2	160-42	Screw, FHMS M5 x 0,8 x 6mm
6	2	104-42	Pin, Spring 1/4 x 1.5"	49	2x1	168-08	Cover
7	1	108-47	Washer, .39 x .94 x .13 Zn Di-chr	50	2x1	168-09	Cover, Rubber
8	1	117-29	Locknut, Nylon 3/8-16 Zn	51	1	117-10	Locknut, 10-24 N/I Zn
9	2	612-124	Arm, Steering	52	2x1	162-08	Spring, Comp. 17.3 x 49.3mm
10	1	612-106	Clamp, Lower Handlebar	53	2x1		Seal, Primary, 19mm (See Ref. 63)
11	1	612-105	Clamp, Upper Handlebar	54	2x1	168-10	Piston 19mm dia.
12	1	106-07	Ring, Retaining SH-0075PA	55	2x1		Seal, Secondary, 19mm (See Ref. 63)
13	1	160-46	SHCS, #10-24 x 3/8"	56	2x1		Boot, Rubber (See Ref. 63)
14	2	105-16	Bushing, Oilite - 3/4 x 1/2	57	2	812-30	Pin, Female
15	2	110-17	Key, 3/16 x 3/16 x .625	58	2	117-03	Nut, Fin Hex 1/4-20 Zn
16	1	128-24	Retainer, Handbrake Cable	59	2	812-31	Fin, Male
17	2	112-47	SHCS, 1/4-20 x 1.0 Zn	60	2	112-02	SHSS 10-24x1/4 Knurl Cup PT, PL
18	4	117-27	Locknut, Nylon 1/4-20 Zn	61	2	160-45	Bolt, Banjo
19	1	103-38	HHCS 5/16-18 x 1.25 Gr5 Zn	62	2x2	168-07	Pin, Cotter 1/8 x 3.00 Zn
20	1	108-05	Lockwasher 5/16 Split-Ring Zn	63	2x1	161-25	O-Ring Kit - Master Cylinder - Grimeca (incl. Ref. 53, 55 & 56)
21	2	112-04	HHCS 1/4-20 x 3/4 Gr2 Zn	64	2	160-44	Bolt, Banjo - M10 x 1,0 x 21,0
22	2	108-03	Lockwasher 1/4 Split Ring Zn	65	4	160-01	Washer, Copper - 1,5 x 10,0 x 14,0
23	2	103-66	HHCS, 1/4-20 x 4.0 Gr5 Zn	66	4	160-04	Washer, Copper 2.3 x 10.0 x 16.0
24	4	108-08	Washer, .28 x .62 x .04 Zn	67	1	165-18	Pulley, Handbrake Cable
25	2x8	108-24	Washer, .34 x .70 x .06 Zn	68	4	125-84	Grommet, Rubber
26	2	812-17	Collar	69	2	103-69	SHCS 1/4-20 x 1.5 Zn
27	1	128-17	Lever Assembly, Handbrake, Spring	70	1	612-132	Bracket, LCD Gauge - Painted
28	1	128-21	Cable Assembly, Handbrake	71	1	128-27	Grommet 1-1/4ID x 1-1/2x3/32
29	2	127-35	Grip, Molded	72	2	117-86	Nut, Acorn, 1/4-20 Zn
30	1	127-81	Throttle Twist Grip	73	3	117-85	Nut, Acorn, M5 Zn
31	1	612-116	Cable Asm., Throttle	74	3	120-04	Washer .19 x .50 x.08 Zn
32	1	105-25	Bushing, Flange Oilite FF-310				
33	1	166-10	Caliper, Hydraulic Brake - L w/o pads				
34	1	166-11	Caliper, Hydraulic Brake - R w/o pads				
35	2	161-05	O-ring Kit, Knott Caliper				
36	2		Seal, Piston				
37	2		Seal, Rubber				
38	2x1	168-20	Plug, Rubber				
39	2x1	168-02	Screw, Bleeding, Knott Caliper				
40	2x4	112-154	SHCS, 5/16-18 x 2.75 Zn				
41	1	170-03	Pad Set (4), Brake - Non-Asbestos				
42	2x4	117-03	Nut, Fin Hex 5/16-18 Zn				
43	2x2	168-01	Piston, Knott Caliper				

6.0 Parking Brake

Avenger Parts Manual



Ref.	Qty.	Part #	Description
1	1	850-96	Caliper Ass'y, LH, Parking Brake
2	1	850-97	Caliper Ass'y, RH, Parking Brake
3	1	850-98	Kit, Service, Parking Brake (includes Ref. 4 - 9, not sold separately)
4	1		Cam Tension Spring (compression)
5	1		Left & Right Brake Pads
6	1		Cam Arm Spring (tension)
7	1		Brake Pad Retaining Screw
8	1		Castle Nut
9	1		Cotter Pin
10	2	103-06	HHCS 5/16-18x1.0 Gr5 Zn
11	5	103-08	HHCS 1/4-20x1.0 Zn
12	1	108-42	Washer .21x1.0x.06 Zn
13	1	112-178	Bolt, Shoulder, 1/2 x 5/8
14	2	112-172	SHCS 5-40 x 3/4 Zn
15	1	108-41	Washer .53 x 1.09 x .12 Plain
16	5	108-24	Washer .34x.70x.06 Zn
17	7	108-47	Washer .39x.94x.13 Zn Di-Chro
18	1	117-10	Locknut, 10-24 N/I Zn
19	4	112-132	HHCS 5/16-18 x 3.25 Gr5 Zn
20	1	112-19	Screw,IHWH T/C Slot 1/4-20x1/2*
21	2	112-56	T/S Pan Head Phil #10x3/4 A Zn*
22	6	117-21	Locknut, Nylon 5/16-18 Zn
23	5	117-27	Locknut, Nylon 1/4-20 Zn
24	1	613-120	Switch, Micro, Lever
25	1	118-52	Fuse, 10A 2-Prong (AT010)*
26	4	120-04	Washer .19x.50x.08 Zn
27	4	120-09	Rivet - 3/16 x 1.0 Black
29	1	809-147	Lever, Parking Brake
30	1	848-86	Button, Horn*
31	1	848-87	Horn, Electric*
32	1	848-88	Wire Harness, Horn*
33	1	850-72	Bracket Asm, Parking/Brake
34	1	850-78	Bracket, Parking Lever
35	1	850-79	Pulley, Parking Brake Cable
36	2	850-80	Cable, Parking Brake Equalizer
37	1	850-81	Cable, Parking Brake
38	1	850-82	Flat Bar, Equalizer
39	1	112-143/P1	SHCS 5/16x1.25 Zn
40	1	104-27	Pin, Clevis 5/16x.75" Zn
41	1	100-100	Pin, Cotter 1/8x3/4 Zn
42	1	112-174	RHMS 10-24 x 1.75 Zn
43	2	112-173	Locknut, #5-40, Zn
			*If equipped



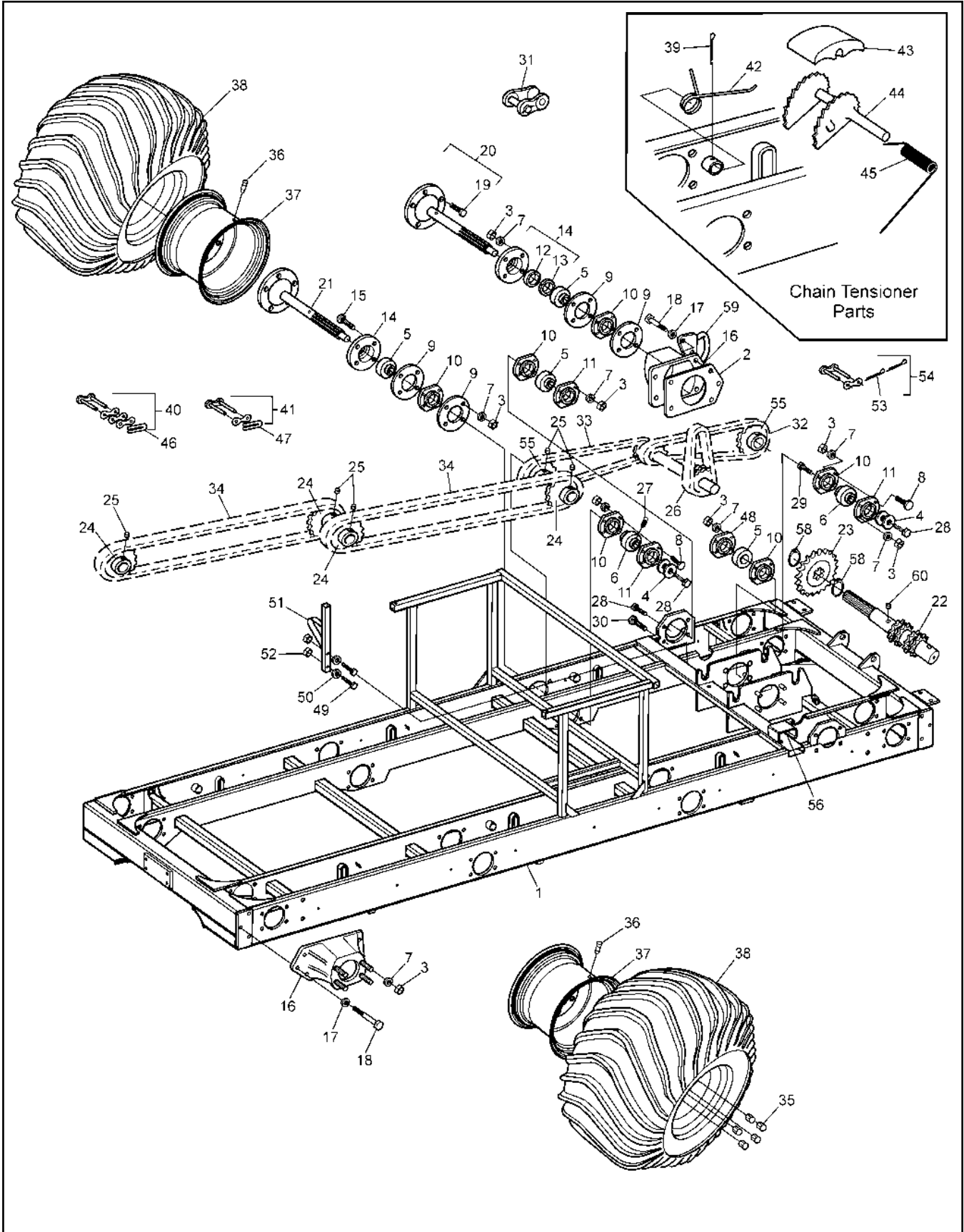
Avenger Parts Manual

7.0 Vehicle Body & Firewall

Ref.	Qty.	Part #	Description	Ref.	Qty.	Part #	Description
1	1	707-43	Screen - Exhaust - Avenger	40	86	120-04	Washer .19 x .50 x .08 Zn
2	1	601-44	Nameplate, "Argo"	41	32	120-27	Pin, Magna Grip
3	2	127-45B	Knuckle, Hinge	42	32	120-28	Collar, Magna Grip
4	2	127-45A	Pin, Hinge	43	1	801-51	Skid Plate, 8x8 - Black
5	1	601-101	Tube, Dash Handle	44	1	801-52	Body & Hood, Upper -
6	2	100-109	Cup holder Insert				Avenger (spec. colour) (incl.
7	1	126-68	Plate, Operation				23, 33, 34, 38)
8	1	707-42	Screen, Intake	45	109	120-09	Rivet 3/16 x 1 - Black
9	1	608-64	Seat, Rear - Left	46	8	103-48	T/S Pan HD PHIL #10 x 5/8
10	1	100-108	Mesh, Glove Box	47	4	126-79	Bumper, Plastic - Black
11	1	126-10	Wing Stud	48	24	108-25	Washer .31 x .75 x .06 Zn
12	1	803-60	Firewall, Avenger	49	4	603-15	Washer, Plastic 5/16 Hole
13	1	608-65	Seat, Rear - Right	50	4	103-08	HHCS 1/4-20 x 1.0 Zn
14	1	126-67	Plate, Floor Pan	51	2	112-04	HHCS 1/4-20 x 3/4 Gr2 Zn
15	1	127-173	Plate, Vehicle Capacity	52	1	126-60	Vinyl Strip, 1/2" x 1/4" x 37.5'
16	2	127-01	Reflector, Red	53	8	108-59	Lockwasher #10 Int. Tooth Zn
17	1	803-58	Floor Pan, Rear - Avenger	54	9	103-47	HHCS 10-24 x 1/2
18	1	127-141	Label, Caution - Keyswitch	55	1	113-12	Insert, 1/2-13
19	1	126-69	Plate, Fuel	56	1	108-35	Washer .53 x 1.06 x .09 Zn
20	2	127-167	Nameplate - 8x8 Avenger 700	57	1	112-151	HHCS 1/2-13 x 1" Gr2 Zn
	2	127-166	Nameplate - 8x8 Avenger 750	58	1	613-37	Terminal Strip, Ground
			EFI	59	13	120-13	Rivet, 3/16 x 5/8 Black
21	2	601-09	Trim, Vinyl - 28"	60	1	117-10	Locknut, 10-24 N/I Zn
22	1	126-09	Grommet, Alum. Flattened	61	38	120-24	Rivet, 3/32 x 3/8 Alum. (all
			Half				plates)
23	1	602-49	Frame Ass'y, Hood - Front	62	2	100-114	Gasket, Drain Plug
24	1	801-05	Bumper, Vinyl - 8x8	63	2	117-82	Locknut, Flange 1/4-20 Zn
25	1	803-59	Floor Pan, Front - Avenger	64	1	602-51	Frame Ass'y, Hood - Rear
26	1	801-50	Body, Lower - Avenger	65	1	127-144	Label, Warning - HOT
27	2	100-107	Plug, Drain - Flanged	66	1	128-26	Grommet, 1-1/2ID x 1-3/4x1/4
28	1	104-13	Pin, Toplink - 3/4 x 2.75	67	6	120-05	Washer, .19 x .50 x .04 Zn
29	1	616-16	Hitch Assembly	68	2	602-52	Clip, Hood - Avenger
30	1	616-19	Tube, Hitch	69	1	616-20	Gasket, Rear Hitch
31	4	103-61	HHCS 3/8-24 x 1.5 Gr5 Zn				
32	1	104-11	Pin, Lynch - Ring				
33	6	120-15	Rivet - 1/8 x 7/16				
34	2	602-56	Latch, Hood - Soft Draw				
35	4	112-180	Screw, Self-Drilling, #8x3/4				
36	27	120-11	Rivet 5/32 x 9/16 - Black				
37	1	613-123	Post, Power, 5/16-18, Red				
38	1	602-47	Hood Kit - Avenger (spec.				
			colour) (incl. 3, 4, 34, 36, 53,				
			54, 59, 67, 68)				
39	2	117-44	T- Nut 1/4-20 Zn				

8.0 Frame and Drive System

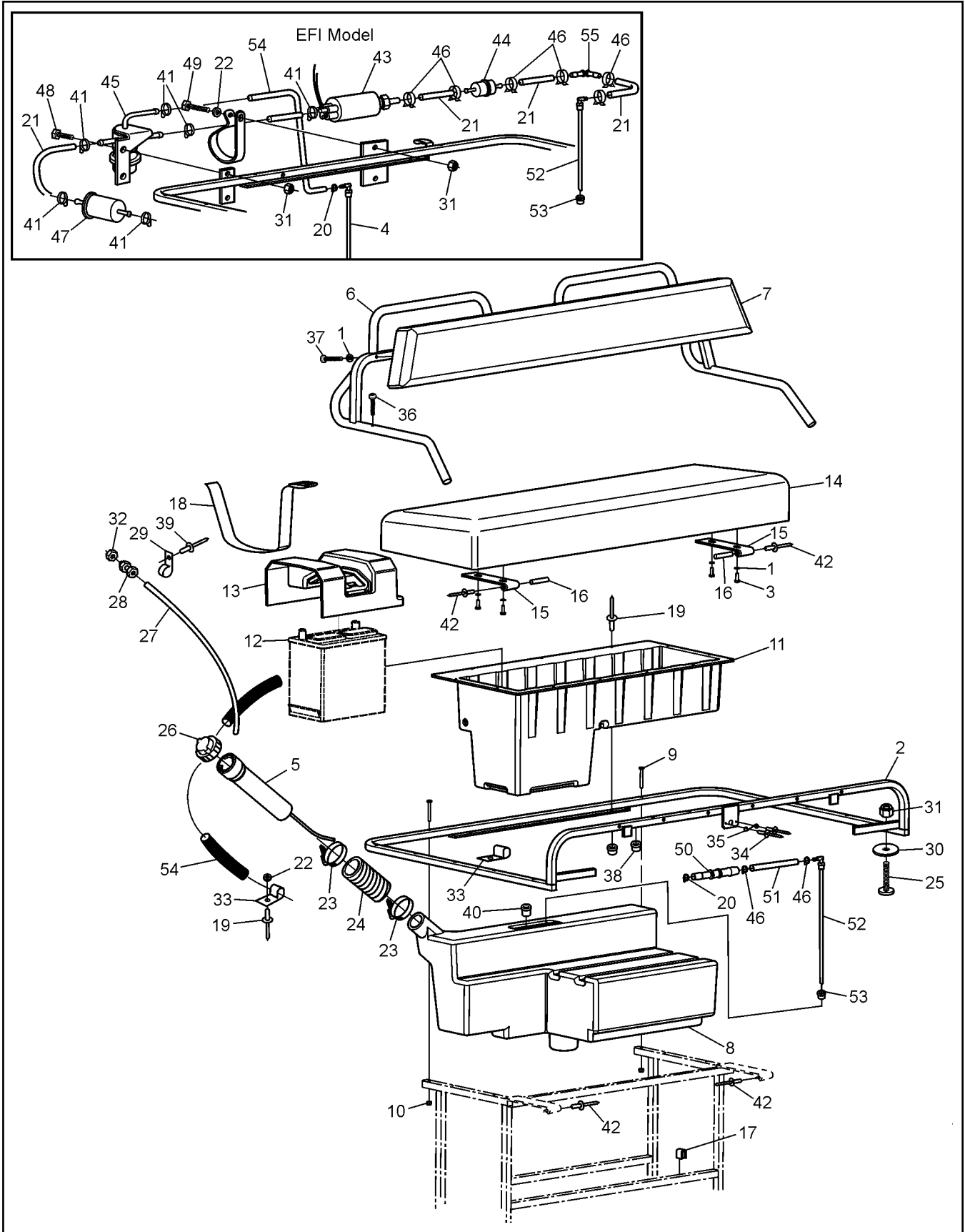
Avenger Parts Manual



Avenger Parts Manual

8.0 Frame and Drive System

Ref.	Qty.	Part #	Description	Ref.	Qty.	Part #	Description
1	1	804-100	Frame Asm - Avenger	35	5x8	117-35	Nut, Wheel 7/16-20 Zn
2	4	606-25	Gasket - Bearing Extension	36	8	125-26	Valve, Tire
3	80	117-29	Locknut, Nylon 3/8-16 Zn	37	8	127-61C	Rim - 10 x 9 - Charcoal
4	16	108-46	Washer .40 x 1.37 x .12 Hi-Carbon	38	8	127-182	Tire, Argo 25x12-9
5	12	101-35	Bearing, Ball - 1.25	39	6	100-01	Pin, Cotter 1/8 x 1.50 Zn
6	8	101-41	Bearing, Ball - 1.0	40	1x4	100-96	Con. Link, RC50-2 H.D.
7	80	108-15	Washer, .42 x .81 x .05 Zn	41	1x4	603-84	Con. Link, RC60-1 H.D.
8	31	103-88	C/Bolt 3/8-16 x 1.0 Gr5 Zn	42	6	127-65	Spring Torsion - 1.16x0.35
9	16	605-89	Gasket, Flange - Outer	43	6	606-44	Slider Block
10	20	605-63	Flange - 4 hole	44	6	606-82	Tensioner Asm, Chain
11	10	101-20	Flange, Greasable - 4 hole	45	6	127-64	Spring, Torsion - .76 x 1.9
12	8	102-14	Seal, Oil 1.25 x 1.75 x 0.188	46	4	603-95	Spring Clip - RC 50 Closed
13	8	102-15	Seal, Oil 1.25 x 1.874 x 0.25	47	4	603-96	Spring Clip - RC 60 Closed
14	8	605-97	Flange Asm, Outer (incl. Refs. 12 & 13)	48	2	101-80	Flange, Greaseable - 90 Degree
15	16	112-39	C/Bolt 3/8-16 x 1.75 Gr5 Zn	49	2	103-97	HHCS 1/4-20 x 1.25
16	4	810-91	Bearing Extension	50	4	108-08	Washer .28 x .62 x .07
17	20	108-34	Washer .47 x .94 x .06 Zn	51	1	806-43	Support Asm, Firewall
18	20	112-181	HHCS 7/16-20 x 1.75 Gr5 Zn	52	2	117-27	Locknut, Nylon 1/4-20
19	5x8	103-80	Stud, Wheel 7/16-20 x 1.125 #B271	53	4	104-35	Pin, Cotter 2mm x 12mm
20	4	810-73	Axle Asm - Front/Rear (incl. Ref. 19)	54	2	603-94	Con. Link, RC60-1 Cotter Pin
21	4	810-75	Axle Asm - Mid (incl. Ref. 19)	55	4	810-28	Sprocket, Double - 24T
22	2	810-59	Shaft, Idler - 11T	56	2	606-43	Slide, Chain - 2-3/4"
23	2	606-72	Sprocket, Idler S60 x 21T	58	4	107-10	Retaining Ring SH-0125-PA
24	8	606-34	Sprocket, S60 x 19T	59	2	642-47	Tie Down Bracket
25	10	112-03	SHSS 5/16-18 x 3/8 1/2 DOG, PL	60	1	613-127	Magnet, Speedometer
26	2	803-62	Chain, RC60-1 x 34P Idler-Lambda				
27	2	112-60	SHSS 1/4-28 x 1/2 Cup Pt.				
28	12	112-31	HHCS 3/8-16 x 1.0 2B Gr8 Zn				
29	1	112-163	HHCS 3/8-16 x 2.0 Gr5 Zn				
30	4	112-61	C/Bolt 3/8-16 x 1.25 Gr5 Zn				
31		127-80	Link, Half - RC60 - 1 (opt.)				
32	2	803-55	Chain, RC50-2 x 46P-Front (incl. Ref. 40)				
33	2	803-56	Chain, RC50-2 x 74P-Mid (incl. Ref. 40)				
34	4	803-57	Chain, RC60-1 x 90P-Rear (incl. Ref. 41)				

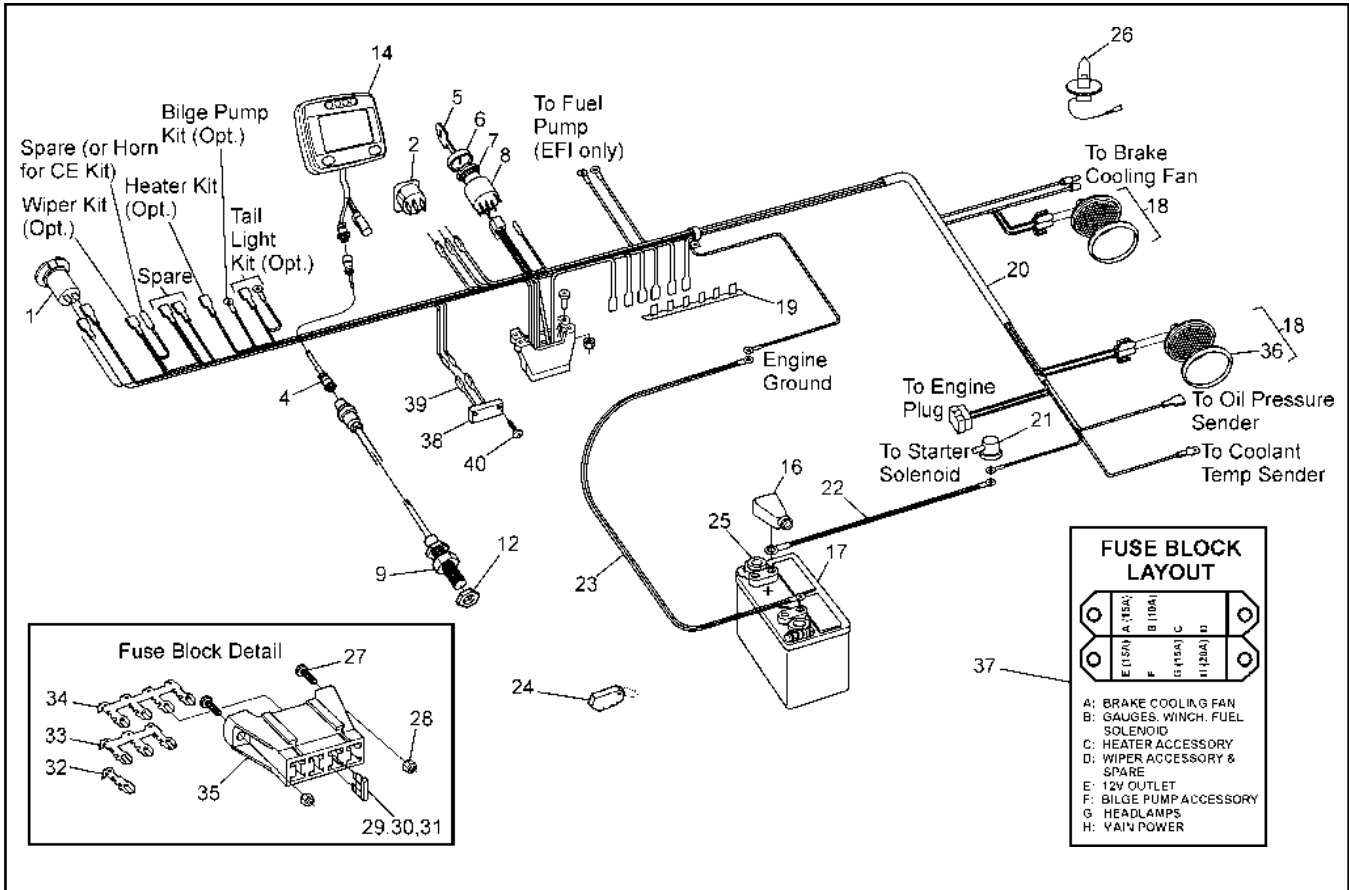


Avenger Parts Manual 9.0 Fuel System & Seat Assembly

Ref.	Qty.	Part #	Description
1	8	108-03	Lockwasher 1/4 Split Ring Zn
2	1	608-96	Frame Assembly, Seat
3	4	112-04	HHCS 1/4-20x3/4 Gr2 Zn
4	1	608-86	Pick-up, Fuel, 1/4"x 6.75" (Return Tube)
5	1	608-59	Neck Assembly, Vented Filler
6	1	608-76	Frame Assembly, Backrest
7	1	608-39	Back pad Assembly
8	1	608-91	Tank, Fuel - Avg
9	2	103-77	HHCS, 1/4-28 x 2.0
10	2	117-01	Locknut, Nylon 1/4-28 Zn
11	1	608-54	Toolbox
12	1	127-54	See Section 10.0 Electrical System
13	1	608-55	Cover, Battery
14	1	608-88	Seat Assembly, Bench - Thick
15	2	608-81	Hinge, Seat, Bolted
16	2	104-43	Pin, 3/16" x 1-1/8"
17	4	702-06	Foam Cushion
18	1	608-56	Strap, Battery
19	17	120-09	Rivet 3/16x1 - Black
20	4	112-79	Clamp, Hose, 1/2" - Black
21	1	608-69	Hose, Fuel 5/16" ID x 7.5' - Carb
22	9	120-04	Washer .19 x .50 x .08 Zn
23	2	100-12	Clamp, Gear 2.25" HF-36
24	1	125-94	Hose, Filler
25	10	112-07	RHMS 10-24 x 1.50 Zn
26	1	126-46	Cap, Fuel
27	1	127-21	Hose, Vent - 109"
28	1	126-50	Male Connector, 1/4"
29	6	126-94	Clamp, Nylon Wire - 1/4" ID
30	10	108-42	Washer .21 x 1.0x.06 Zn
31	14	117-10	Locknut, Nylon #10-24 Zn
32	1	117-54	Nut, Locking PAL 1/2-20 Zn
33	7	126-93	Clamp, Nylon Wire - 1/2" ID
34	2	120-15	Rivet, 1/8 x 7/16
35	1	126-11	Spring
36	2	112-41	PHMS, Phil 1/4-20 x 1.25 Zn
37	4	103-03	PHMS, Phil 1/4-20 x 1.50 Zn
38	2	117-64	Insert, 1/4-20 Steel Cad Pltg.
39	4	120-13	Rivet, 3/16 x 5/8 Black
40	1	808-123	Plug, Nylon, 1/4 - NPT
41	7	100-101	Clamp, Gear 1/2" HF or MH-4
42	4	120-31	Rivet, 3/16" x 1/4, Open End
43	1	24 393 52	Fuel Pump, EFI
44	1	608-71	Filter, Fuel, 5/16" ID
45	1	24 403 16	Regulator, Fuel Pressure
46	6	112-78	Clamp, Hose, 9/16
47	1	24 050 03	Filter, Fuel Line - EFI - c/w engine
48	2	103-47	HHCS, 10-24 x 1/2
49	2	112-182	HHCS, 10-24 x 3/4 Gr2 Zn
50	1	808-133	Reducer, 5/16" to 1/4" Barbed
51	2"	608-69RM	Hose, Fuel - 5/16" ID Carb
52	1	608-89	Pick-up, Fuel, 5/16 x 11.75"
53	1	608-90	Grommet, 5/16" Tube, 3/4" Hole
54	1	608-66	Hose, Fuel 1/4" ID, 80"
55	1	608-94	Fitting, Elbow, 90 Degree, 5/16

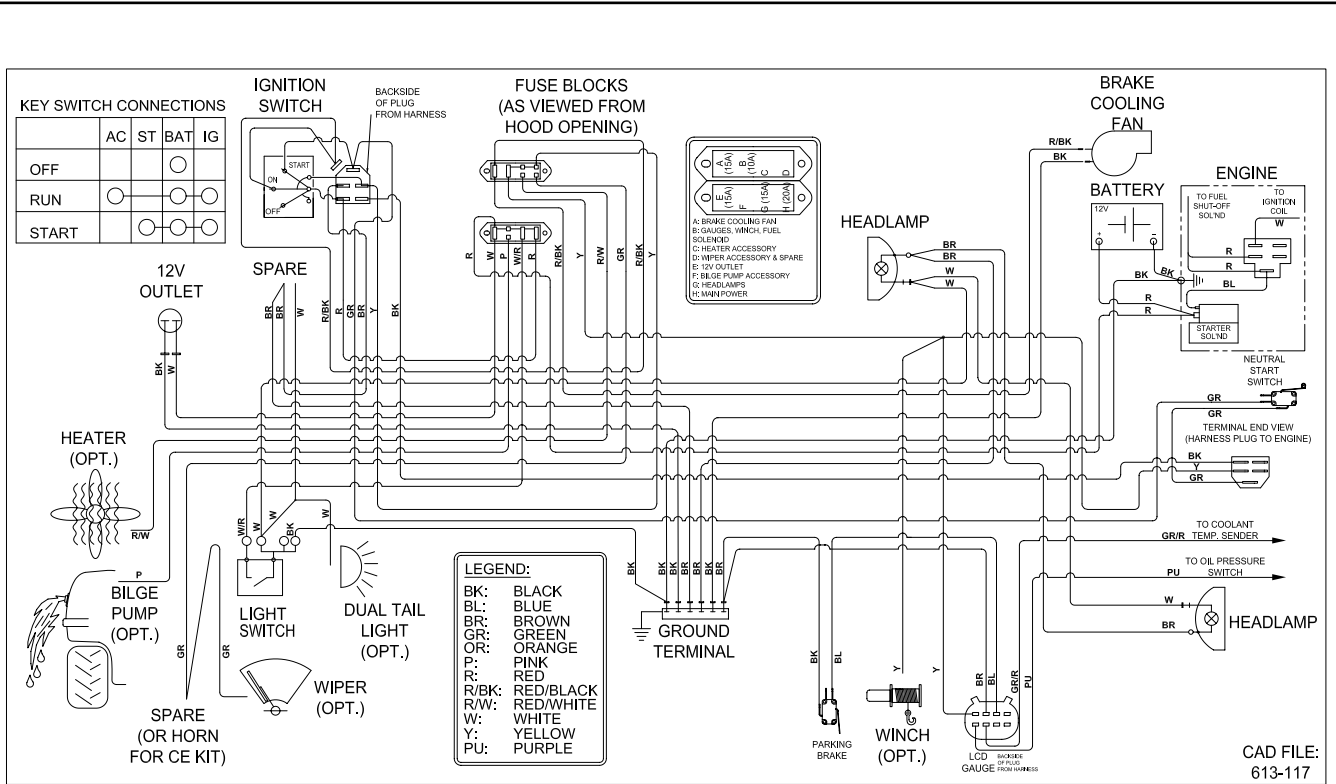
10.0 Electrical System

Avenger Parts Manual

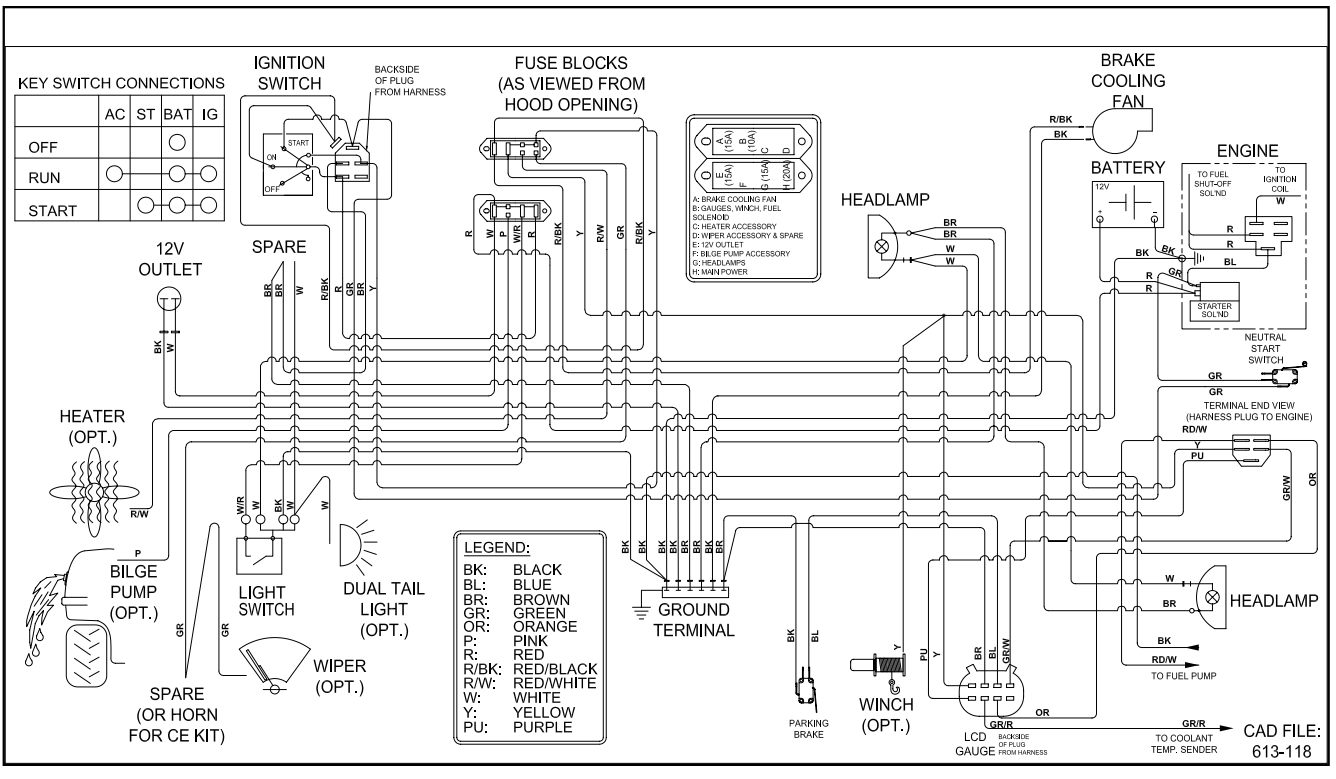


Ref.	Qty.	Part #	Description
1	1	613-90	Outlet, 12 Volt DC
2	1	613-121	Switch, Illuminated
3	1	100-120	Sticker, Light Switch
4	1	613-128	Cable, Extension, Speedo Pickup
5	2	127-108	Key, Molded
6	1	127-107	Bezel - Cover, Nut
7	1	127-106	Nut, Flanged - Plastic
8	1	127-105	Switch - Ignition
9	1	613-126	Sensor, Speedo Pickup
12	1	117-87	Nut, M12 x 1.25, Zn
13	1	613-124	Insulator, 2 Way w/cap, Red
14	1	613-119	Gauge, LCD
16	1	127-55	Cap, Battery Terminal - Red
17	1	127-54	Battery, Exide 45-60
18	2	613-92	Headlamp Ass'y - Oval w/Bezel (incl. items 26 & 36)
19	2	613-37	Terminal Strip, Ground
20	1	613-117	Wire Harness, Kohler 25HP
20a	1	613-118	Wire Harness, Kohler 31HP EFI
21	1	613-46	Insulator, Terminal (2 ga.)
22	1	613-94	Wire, Positive Battery

Ref.	Qty.	Part #	Description
23	1	613-95	Wire, Negative Battery
24	1	681-00	FOB, Key - Floating
25	2	127-56	Terminal, Battery Post
26	2	127-46	Bulb, Headlight - Halogen 37W
27	2	112-51	Screw, IHWH T/C #10-24 x 5/8
28	4	117-10	Locknut, Nylon #10-24 Zn
29	1	118-52	Fuse, 10A 2 Prong (AT010)
30	3	118-49	Fuse, 15A 2 Prong (AT015)
31	1	118-53	Fuse, 20A 2 Prong (AT020)
32	9	118-62	Terminal - Fuse, single
33	1	118-63	Terminal - Fuse, triple
34	1	118-61	Terminal - Fuse, quad
35	2	118-60	Block - Fuse, 8 position (4 fuse)
36	2	613-93	Bezel, Headlamp - Avenger
37	1	127-143	Label, Fuse Panel - Kohler
38	1	613-99	Light, Shifter Illumination
39	2	118-69	Terminal, 3/16 Male Blade 22 Ga
40	2	112-139	OHPS T/S #4 x 5/8 Black Zn



EFI Models



ARGO Products Manufactured by:

Ontario Drive & Gear Limited

220 Bergey Court

New Hamburg, Ontario

Canada N3A 2J5

Phone: (519) 662-2840

Fax: (519) 662-2421

www.argoatv.com

ODG *Dedicated to quality and performance*