

Argo 8x8
SPECIAL EDITION **750HDi**



Argo 8x8
SPECIAL EDITION **750HDi**

PARTS MANUAL

From Serial # ...34521

Foreword

ODG has prepared this parts manual for the HDi model to assist both qualified mechanics and vehicle owners in ordering correct, quality replacement ARGO parts. For the most current parts manual visit our website at www.argoatv.com.

Proper and regular service, and replacing old, worn or broken parts with the correct ARGO replacement parts, are both essential to prolonging the life of the ARGO. Please refer to this parts manual and/or our website www.argoatv.com before ordering any replacement part.

All information contained in this HDi Parts Manual is based on the latest product specification available at time of printing. If your HDi differs from the specifications contained in this manual, check our website www.argoatv.com for the most current information.

ODG reserves the right to alter specifications on the HDi model at any time, without obligation or prior notification.

Reproduction of this HDi Parts Manual, in whole or in part, is prohibited without prior written permission from Ontario Drive & Gear Limited.

Vehicle Identification

HDi SE - Serial Nos. ...34521

Explanation of Parts Manual Format

Ref	- Reference number between assembly diagram and component parts list
Part No.	- Argo replacement part number for identification and re-ordering
Description	- Part description for identification and re-ordering
Qty	- Indicates the quantity of a part used in an assembly

Argo 8x8

SPECIAL EDITION 750 HDi



Using the Parts Manual

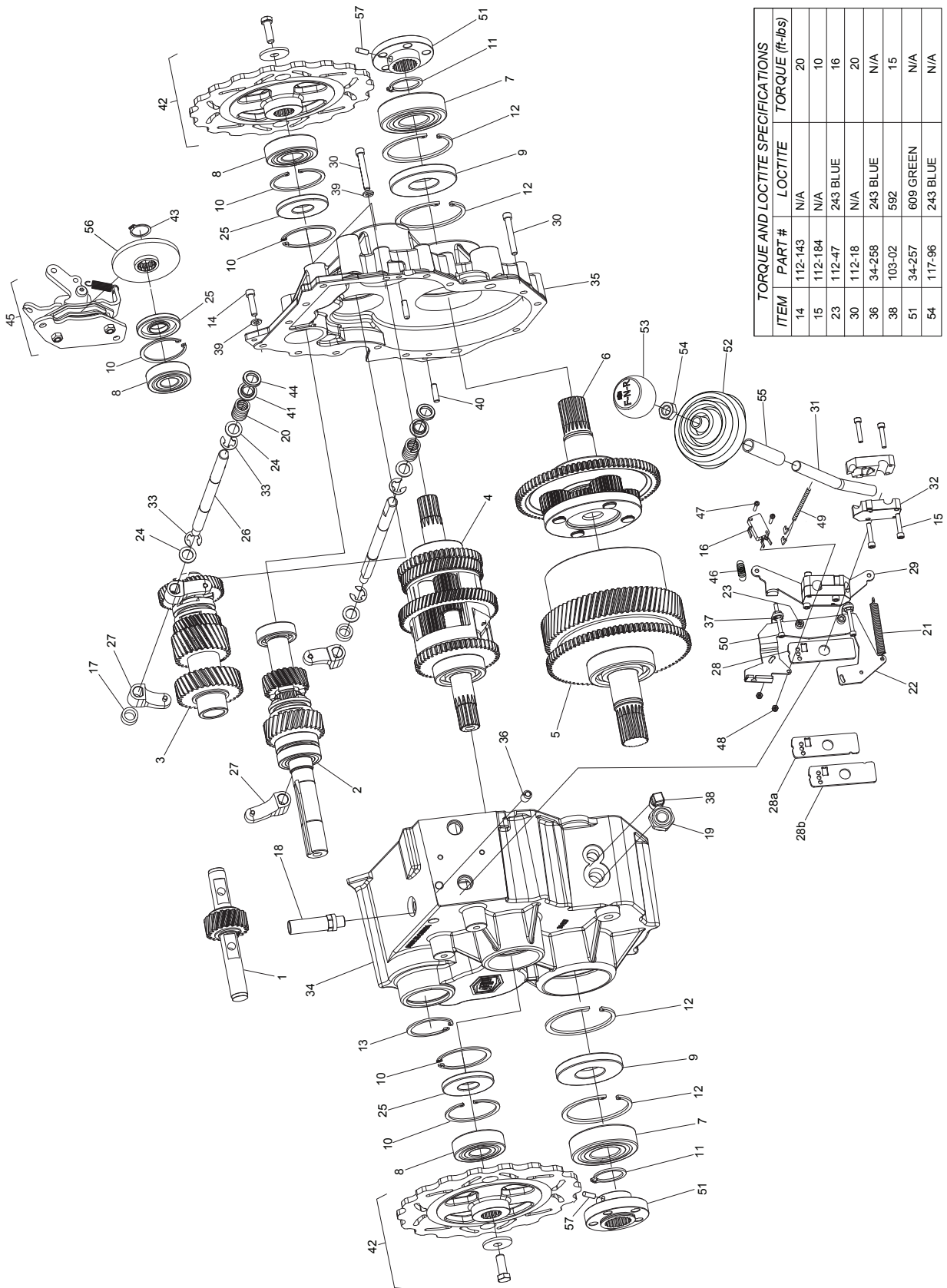
1. Find the major vehicle assembly in the Table of Contents on this page, and turn to that section.
2. Locate the part in the illustration that you wish to order.
3. Refer to the parts list in that section.
4. Find the correct part number (Part No.), part description (Description) and correct quantity (Qty).
5. Use *only* this information to order ARGO replacement parts. **DO NOT** attempt to order a replacement part by reference number or page number.

Table of Contents

Foreword	i
Vehicle Identification.....	i
Using the Parts Manual	ii
1.0 Transmission	1
1.1 Transmission Sub-Assemblies	3
2.0 Intake and Exhaust System.....	5
3.0 Clutch System	7
4.0 Power Pack Assembly	9
5.0 Steering & Brake System	11
6.0 Parking Brake.....	13
7.0 Alternator.....	15
8.0 Vehicle Body & Firewall.....	17
9.0 Frame & Drive System	19
10.0 Fuel System & Seat Assembly	21
11.0 Brushguard.....	23
12.0 Electrical System.....	25
13.0 Bead Lock Wheel Option.....	27

1.0 Transmission

HDi SE Parts Manual



TORQUE AND LOCTITE SPECIFICATIONS			
ITEM	PART #	LOCTITE	TORQUE (ft.-lbs)
14	112-143	N/A	20
15	112-184	N/A	10
23	112-47	243 BLUE	16
30	112-18	N/A	20
36	34-258	243 BLUE	N/A
38	103-02	592	15
51	34-257	609 GREEN	N/A
54	117-96	243 BLUE	N/A

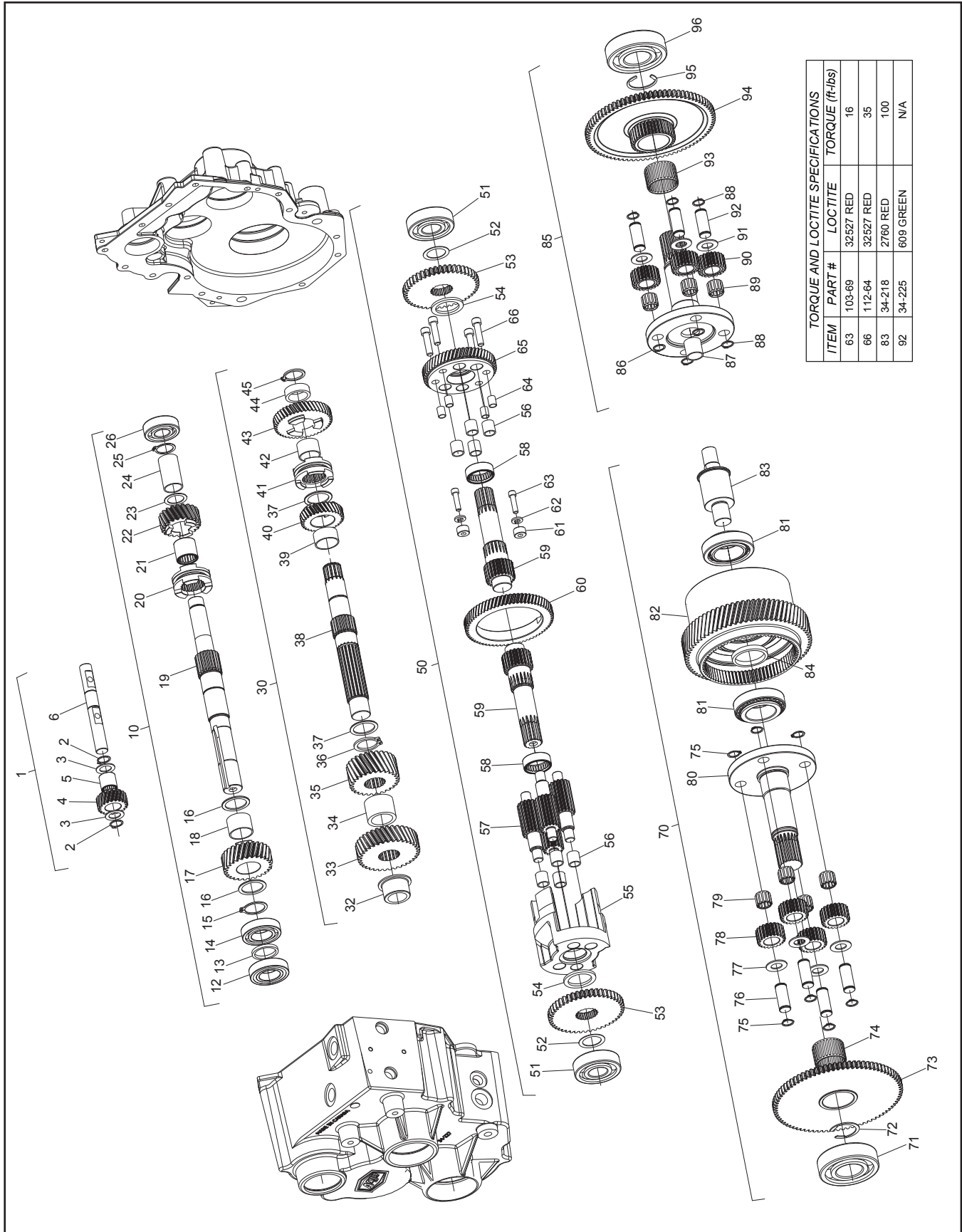
HDI SE Parts Manual

1.0 Transmission

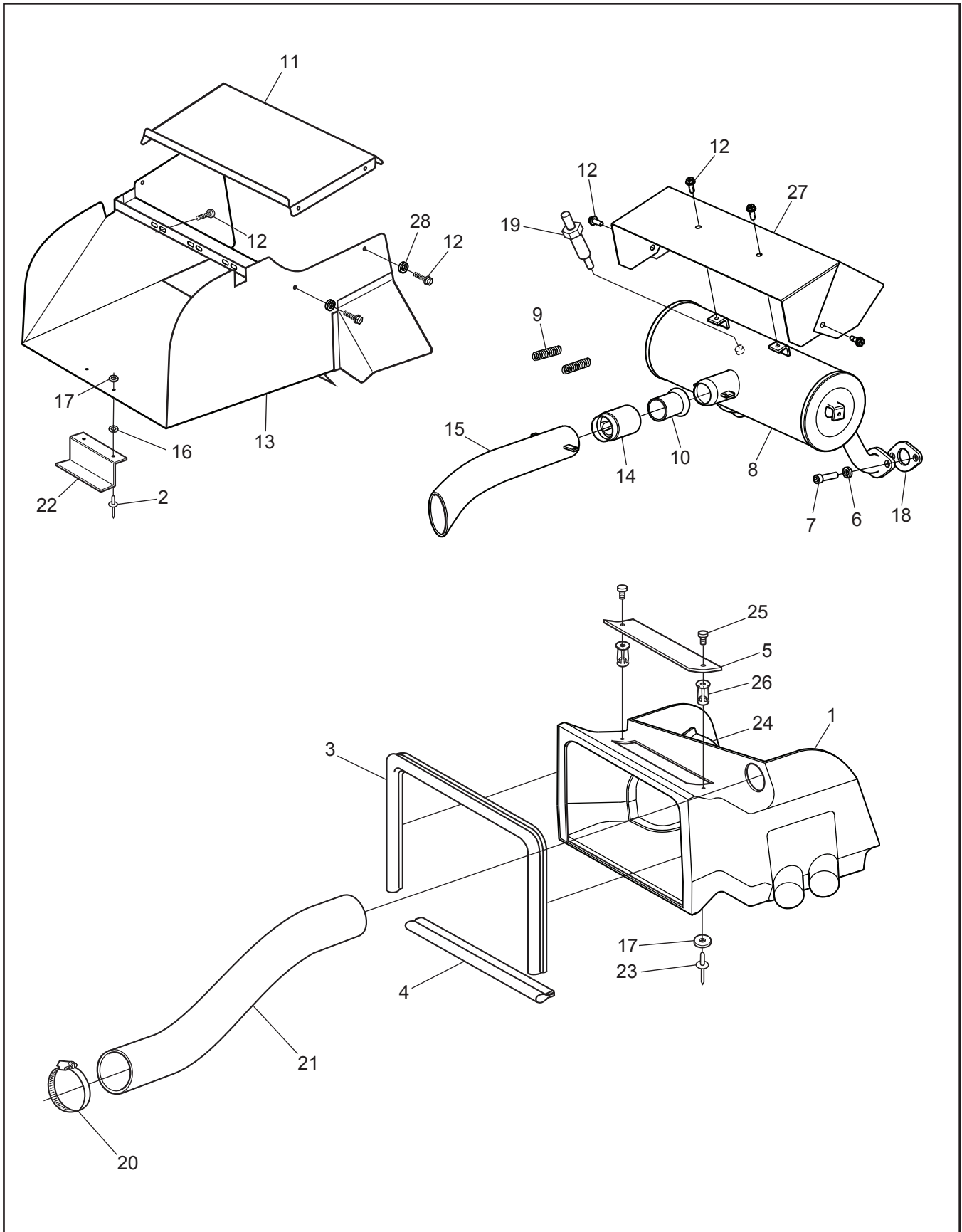
Ref.	Qty.	Part #	Description	Ref.	Qty.	Part #	Description
	1	34-200-6.4		46	1	127-195	Spring, Ext., .75 x 2.73
		-FG	Transmission Admiral 6.4 Ratio	47	2	112-172	SHCS 5-40 x 3/4 Zn
	1	34-200-8.4		48	2	112-173	Locknut, #5-40 Zn
		-FG	Transmission Admiral 8.4 Ratio	49	1	613-112	Wire Harness, Neutral Start
1-6			See Section 1.1 Trans. Sub Assemblies	50	2	112-195	SHCS 8-32 x 1.5 Stainless
7	2	101-81	Bearing, Ball 6307 ZZE	51	2	34-262	Coupler, Output Shaft, Pinned
8	3	101-86	Bearing, Ball 6305 Zz	52	1	609-44	Boot, F-N-R Shifter
9	2	102-33	Seal, Oil 35x80x10	53	1	127-226	Knob, Shift F-N-R - HD
10	5	106-05	Retaining Ring HO-244-PA	54	1	117-96	Nut, Jam 1/2-13
11	2	106-23	Retaining Ring SH-0137-PA	55	1	127-228	Sleeve, Insulating - 2.75"
12	4	106-24	Retaining Ring H0-312-PA	56	1	165-52	Rotor, E-Brake
13	1	106-26	Retaining Ring H0-206-PA	57	2	104-75	Pin, Spring, 3/16x13/16 Zn
14	10	112-143	SHCS 5/16 x 1.25 Zn				
15	8	112-184	SHCS, 10-32 x 1				
16	1	613-151	Switch, Micro, Roller Lever				
17	2	114-21	Spacer, .51x.75x.36				
18	1	34-245	Plug, Fill/Vent 1/2 BSPP				
19	1	34-251	Site Glass, 1/2 BSP Aluminum				
20	2	127-186	Spring, Comp. 0.70x1.28				
21	1	127-194	Spring, Ext .360x3.0				
22	1	34-241	Bracket, Switch, Spring Mount				
23	2	112-47	SHCS 1/4-20 x 1.0 Zn				
24	4	108-35	Washer .53x1.06x.09 Zn				
25	3	102-37	Seal, Oil 25x62x7				
26	2	34-231	Shaft, Shift - F-N-R				
27	4	34-232	Fork, Shift - Half				
28	1	34-233	Plate, Detent				
28a	1	34-233L	Plate, Detent, Left Adj.				
28b	1	34-233R	Plate, Detent, Right Adj.				
29	1	34-242	Bracket, Spring Mount				
30	8	112-18	SHCS 5/16x2.25				
31	1	34-235	Lever, Shaft - F-N-R				
32	4	34-236	Clamp, Lever Shaft				
33	4	106-30	Retaining Ring E-0050 E				
34	1	34-227	Housing, Admiral, Left (includes Ref. # 36)				
35	1	34-228	Housing, Admiral, Right				
36	1	34-258	Plunger, Ball - Nose Spring				
37	4	117-92	Nut, Hex Machine #8-32 Zn				
38	1	103-02	Plug, Magnetic 3/8-18Npt Sq. Hd				
39	11	108-05	Lockwasher 5/16 Split-Ring Zn				
40	2	104-03	Pin, Dowel 1/4x7/8				
41	2	105-33	Bushing, Flange				
42			See Section 4.0 Power Pack				
43	1	106-29	Retaining Ring SH-0093-PA				
44	2	102-36	Seal, Shift Shaft - 0.5 x .75 x .125				
45			See Section 6.0 Parking Brake				

1.1 Transmission Sub-Assemblies

HDi SE Parts Manual



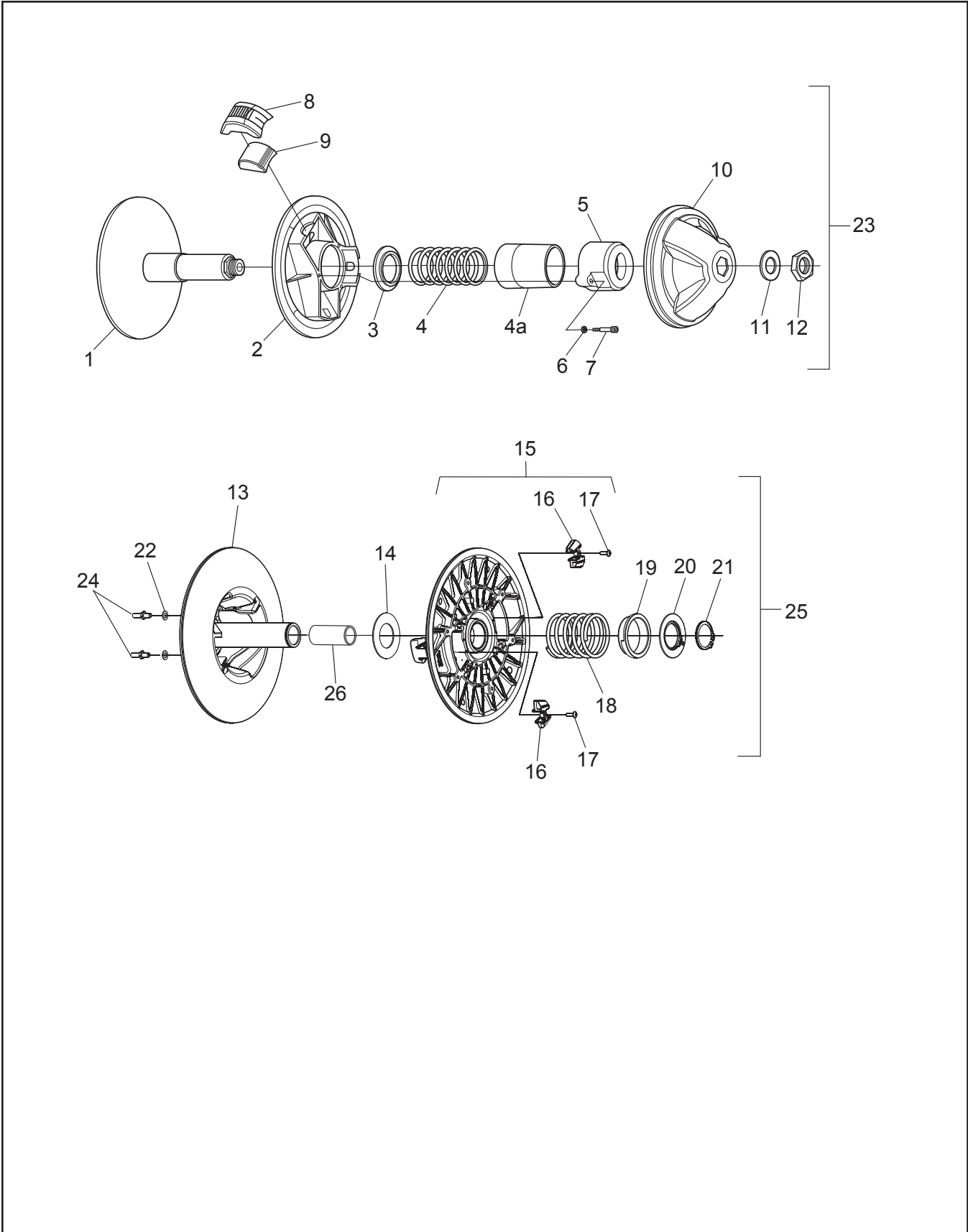
Ref.	Qty.	Part #	Description	Ref.	Qty.	Part #	Description
1	1	34-290	Asm, Reverse Shaft - Adm. includes:	58	2	101-84	Bearing, Needle HK3012
2	2	106-25	Retaining Ring SH-0078-PA	59	2	34-201	Shaft, Brake
3	2	108-99	Washer, Thrust .79x1.25 x .06	60	1	34-205	Gear, Helical - 67T
4	1	34-220	Pinion, Idler - 20T	61	2	105-28	Bushing, Dowel .26x.625x.36
5	1	101-87	Bearing, Needle HMK20x27x25	62	2	108-03	Lockwasher 1/4 Split Ring Zn
6	1	34-221	Shaft, Shift - Reverse	63	2	103-69	SHCS, 1/4-20 x 1.5 Zn
10	1	34-291	Asm, Input Shaft includes:	64	4	105-23	Bushing, Dowel - .312 x .5
12	1	101-89	Bearing, Ball 60/28 Llu	65	1	34-204	Gear, Helical - 55T
13	1	114-19	Spacer, 1.12x1.375x.148	66	4	112-64	SHCS 5/16 x 18 x 1.25
14	1	101-88	Bearing, Ball 60/28	70	1	34-294	Asm, Output Shaft LH-Adm. includes
15	1	106-27	Retaining Ring SH-112-PA	71	1	101-73	Bearing, Ball 6307 CL.N.
16	2	108-98	Washer, Thrust 1.13x1.46x.062	72	1	106-31	Retaining Ring C-0137
17	1	34-247	Pinion, For.-29T,12Dp-6.4 Ratio	73	1	34-207	Gear, Sun - 81T, 35T
	1	34-249	Pinion, For.-25T,12Dp-8.4 Ratio	74	1	101-83	Bearing, Needle KJ37x42x27S
18	1	105-32	Bushing, Bronze 1.125x1.25x.875	75	8	106-22	Retaining Ring SH-0056-PA
19	1	34-213	Shaft, Input	76	4	34-225	Pin, Planet Carrier
20	1	34-224	Collar, Shift, For-Rev	77	4	108-93	Washer, .59x1.10x.06
21	1	101-90	Bearing, Needle HK2220	78	4	34-217	Gear, Planet - 21T
22	1	34-214	Pinion, Reverse - 21T,12Dp	79	4	101-82	Bearing, Needle KM J15x21x17S
23	1	114-17	Washer, Thrust .866x1.181x.039	80	1	34-263	Carrier Shaft, Grooved LH
24	1	114-18	Spacer, .865x1.0x1.75	81	2	101-76	Bearing, Tapered Roller 32008X
25	1	106-25	Retaining Ring SH-0078-PA	82	1	34-219	Planetary Hub
26	1	101-01	Bearing, Ball 6204Z-C3	83	1	34-218	Shaft, Planetary Stub
30	1	34-295	Asm, Idler Shaft includes:	84	1	114-22	Spacer, 1.585x1.75x.245
32	1	105-30	Bushing, Flanged 1x1.375	85	1	34-293	Asm, Output Shaft RH - Adm. includes:
33	1	34-246	Gear, Helical - 33T- 6.4 Ratio	86	1	34-264	Carrier Shaft, Grooved RH
	1	34-248	Gear, Helical - 37T- 8.4 Ratio	87	1	105-26	Bushing, Oilite .75x.875x.875
34	1	108-96	Spacer, 1.125x1.5x1.083	88	8	106-22	Retaining Ring SH-0056-PA
35	1	34-209	Pinion, Helical - 27T	89	4	101-82	Bearing, Needle KM J15x21x17S
36	1	106-28	Retaining Ring SHR-0112-PA	90	4	34-217	Gear, Planet - 21T
37	2	108-98	Washer, Thrust 1.13x1.46x.062	91	4	108-93	Washer, .59x1.10x.06
38	1	34-208	Shaft, Idler	92	4	34-225	Pin, Planet Carrier
39	1	105-31	Bushing, Bronze 1.125x1.25x.625	93	1	101-83	Bearing, Needle KJ37x42x27S
40	1	34-210	Pinion, Helical - 31T	94	1	34-207	Gear, Sun - 81T, 35T
41	1	34-223	Collar, Shift, Hi-Low	95	1	106-31	Retaining Ring C-0137
42	1	105-29	Bushing, Oilite 1.0x1.125x.75	96	1	101-73	Bearing, Ball 6307 CL.N.
43	1	34-212	Pinion, Helical - 43T				
44	1	108-97	Spacer, 1.01x1.3x.409				
45	1	107-15	Retaining Ring SHR-98-PA				
50	1	34-292	Asm, Differential - Adm. includes:				
51	2	101-40	Bearing, Ball 6305 Open				
52	2	114-16	Washer, SHIM .99x1.375x.030				
53	2	34-203	Pinion, Spur - 46T				
54	2	108-94	Washer, Thrust 1.25x1.688x.125				
55	1	34-206	Cage, Differential				
56	8	105-27	Bushing, Oilite .5x.625x.625				
57	4	34-202	Gear, Planet - 15T				



Ref.	Qty.	Part #	Description
1	1	809-03	Duct, Intake
2	2	120-13	Rivet, 3/16 x 3/4 - Black
3	2	809-166-35	Seal, 35" Long
4	2	809-06	Seal, Radiator - 16.25" LG
5	1	601-111	Cover Plate, Intake Duct
6	4	108-02	Lockwasher 5/16 Hi-Collar Bare
7	4	112-30	SHCS M8 x 1,25 x 20mm Zn
8	1	607-121	Muffler Ass'y, EFI
8a	1	607-119	Muffler Ass'y
9	2	127-187	Spring, Extension - 17/32 x 3.75
10	1	607-135	Tube, Muffler, Flared x 2.0
11	1	607-190	Shield, Duct Exhaust Upper
12	11	112-19	Screw, IHWH T/C Slot 1/4-20 x 1/2
13	1	607-167	Duct, Exhaust, Avenger
14	1	607-171	Spark Arrestor, ODG
15	1	607-134	Pipe, Tail - Ass'y
16	2	125-58	Washer, Fibre - W-77F
17	12	120-04	Washer, .19 x .50 x .08 Zn
18	2	24 041 49	Gasket, Exhaust Manifold
19	1		See Section 4.0 Power Pack Assembly
20	1	100-128	Clamp, Gear 2.25"
21	1	848-194	Hose, Intake Flex 2" Dia. x 24"
22	1	607-170	Support, Exhaust Duct - Avenger
23	13	120-09	Rivet, 3/16 x 1.0 Black
24	1	809-04	Shroud, Intake Duct
25	2	117-89	Thumbscrew, 1/4-20 x 1, Nylon
26	2	117-53	Nut, Jack 1/4-20 8L-Jns Zn
27	1	607-123	Shield, Muffler Heat
28	4	108-03	Lockwasher 1/4 Split Ring Zn

3.0 Clutch System

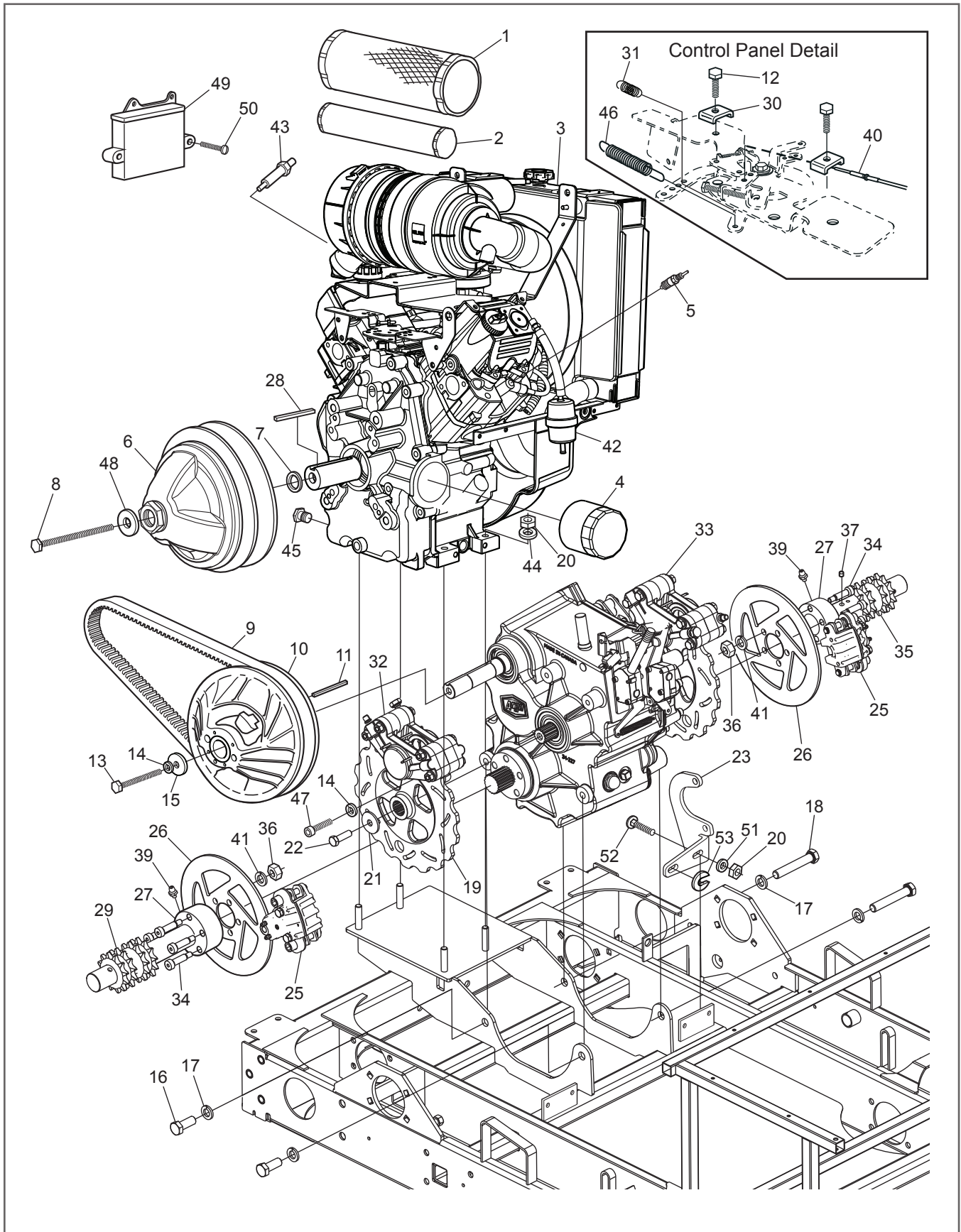
HDi SE Parts Manual



Ref.	Qty.	Part #	Description
1	1	0405-0138	Flange, Fixed
2	1	0410-0033	Flange, Sliding
3	1	0150-1014	Spring Guide Washer
4	1	1151-1114	Spring
4a	1	0450-3002	Guide, Spring
5	1	0440-0005	Spring Cover
6	3	0080-0167	Lockwasher
7	3	0080-0021	Screw, Cap
8	3	0130-3012	Block
9	3	0135-3061	Weight (230gr)
	1	127-208	Weight Set (3), 185g - High Elevation
	1	127-209	Weight Set (3), 220g - High Elevation
	1	127-210	Weight Set (3), 240g - High Elevation
10	1	0115-2061	Cap
11	1	0080-0804	Washer, Zn
12	1	V16J1	Nut
13	1	5905-0003	Flange, Fixed
14	1	0080-0164	Washer, Shim
15	1	5910-0002	Flange, Sliding
16	3	5930-3001	Cam Shoe
17	2	0080-0031	Screw
18	1	5951-1009	Spring
19	1	5950-3003	Spring Protector
20	1	5950-3002	Spring Support
21	1	0080-0216	Retaining Ring, Outside
22	2	0080-0167	Lockwasher
23	1	610-128	Clutch, Driver - EFI
24	2	0080-0035	Screw & Nut Ass'y
25	1	127-156	Clutch, Driven - INVANCE
26	1	5940-2001	Keyway Stopper

4.0 Power Pack Assembly

HDi SE Parts Manual



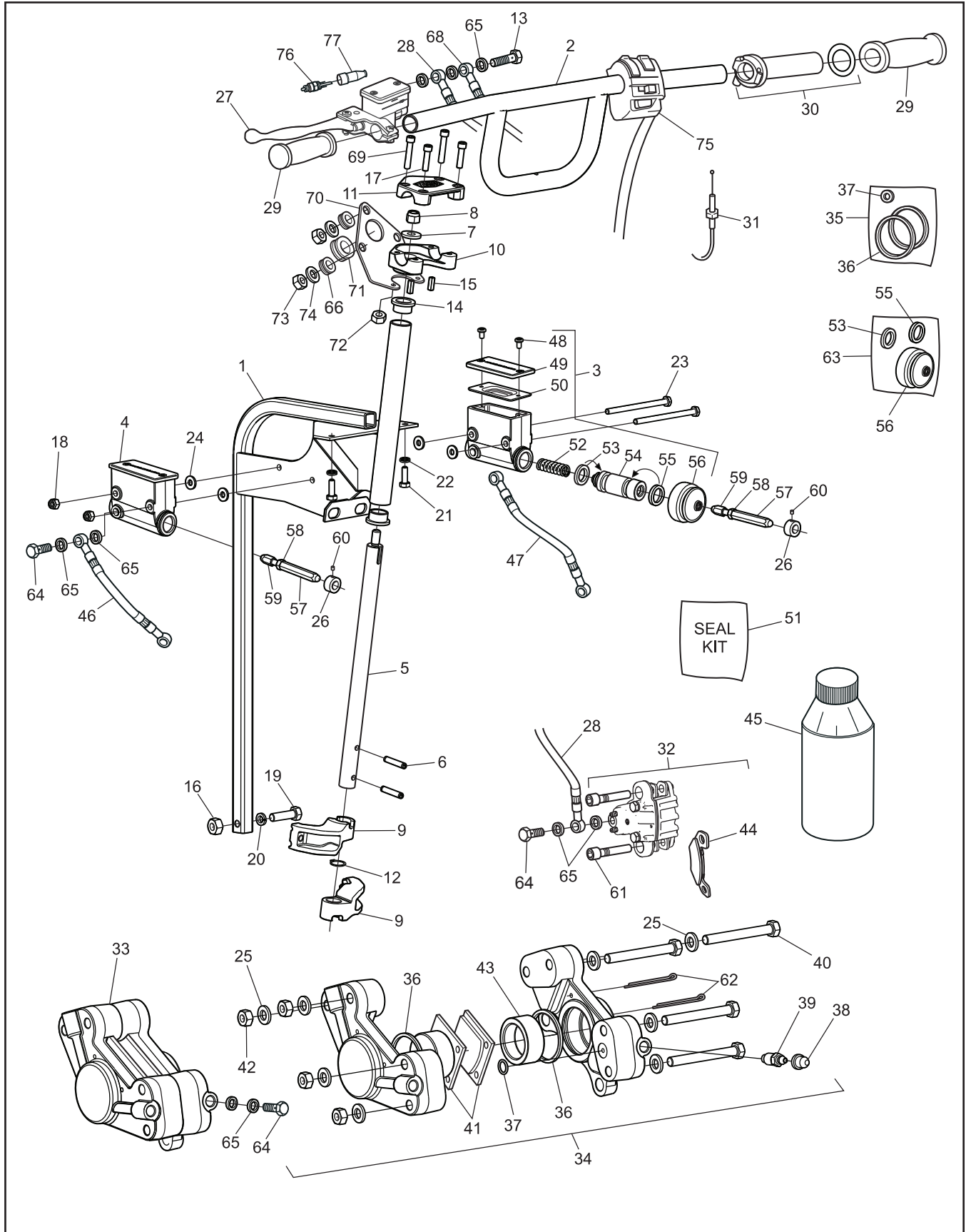
HDI SE Parts Manual

4.0 Power Pack Assembly

Ref.	Qty.	Part #	Description	Ref.	Qty.	Part #	Description
1	1	25 083 01	Filter, Air	33			See Section 5.0 Steering & Brake System
2	1	25 083 04	Element, Inner				
3	1	LH775-3012	Kohler 30 HP Engine, EFI				
4	1	12 050 01	Filter, Oil	34	10	112-201	Bolt, Shoulder M10 x 45
5		127-193	Sparkplug, RC14YC	35	1	810-115	Shaft, Idler Spline, Short 11T
6			See Section 3.0 Clutch System	36	10	117-77	Locknut, Nylon - M8 x 1,25mm Zn8
7	1	108-84	Washer, Engine Clutch	37	1	613-127	Magnet, Speedometer
8	1	112-160	HHCS, 7/16-20 x 5.0" Lg	39	2	100-127	Fitting, Grease STR 1/4-28 TPR (From S.N. 31096)
9	1	127-137	Drive Belt - 10.5" Cen. Dist				
10		127-137HD	Drive Belt - Avg/HDi Heavy Duty (Opt.)	40	1	612-101	Cable Asm., Throttle
			See Section 3.0 Clutch System	41	10	108-05	Lockwasher 5/16 Split-Ring Zn
11	1	110-03	Key 1/4 x 3/16 x 2.375 RC46	42	1	125-64	Filter, Fuel
12	1	M-545016	Screw, Clamp Cable (Kohler #)	43	1	24 418 05	Sensor, Oxygen
13	1	112-164	HHCS 3/8-16 x 3.5 Gr5 Zn	44	4	108-26	Washer, .43 x 1.02 x .09 Zn
14	6	108-06	Lockwasher 3/8 Split Ring Zn	45		112-156	Plug, Oil Drain 3/8-18 NPT Hex
15	1	108-46	Washer .40 x 1.37 x 1.2 Hi-Carbon	46	1	24 089 46	Spring, Governer (Kohler #)
16	2	112-189	HHCS 1/2-13 x 1.25 Gr5 Zn	47	4	103-41	SHCS 3/8-16x1.25 Zn
17	4	108-107	Lockwasher 1/2" High Alloy	48	1	108-58	Washer, .47 x 1.37 x 12 Hi-Carbon
18	2	112-190	HHCS 1/2-13 x 3.0 Gr5 Zn	49	1	66 584 05	ECU (c/w engine)
19	2	165-22	Disc, Brake - Admiral	50	2	112-161	PHMS, 10-24 x 2.5
20	8	117-118	Locknut, Nylon 3/8-16 Flanged	51	4	108-47	Washer .39x.94x.13 Zn
21	2	108-18	Washer .40 x 1.37 x .12 Zn	52	4	103-88	C/Bolt 3/8-16x1.0 Gr5 Zn
22	2	103-60	HHCS 3/8-24 x 1 Gr5 Zn	53		114-03	Shim, 1/32 Thick (as required)
23	1	165-54	Brkt, Caliper HD RH				
24	1	165-53	Brkt, Caliper HD LH (not shown)				
25			See Section 5.0 Steering & Brake System				
26	2	165-25	Disc, Brake, Service				
28	1	110-18	Key 1/4 x 1/4 x 1.75				
29	1	810-116	Shaft, Idler, Spline, Long 11T				
30	1	12 237 01	Clamp, Cable (Kohler #)				
31	1	24 089 51	Spring, Throttle (Kohler #)				
32			See Section 5.0 Steering & Brake System				

5.0 Steering & Brake System

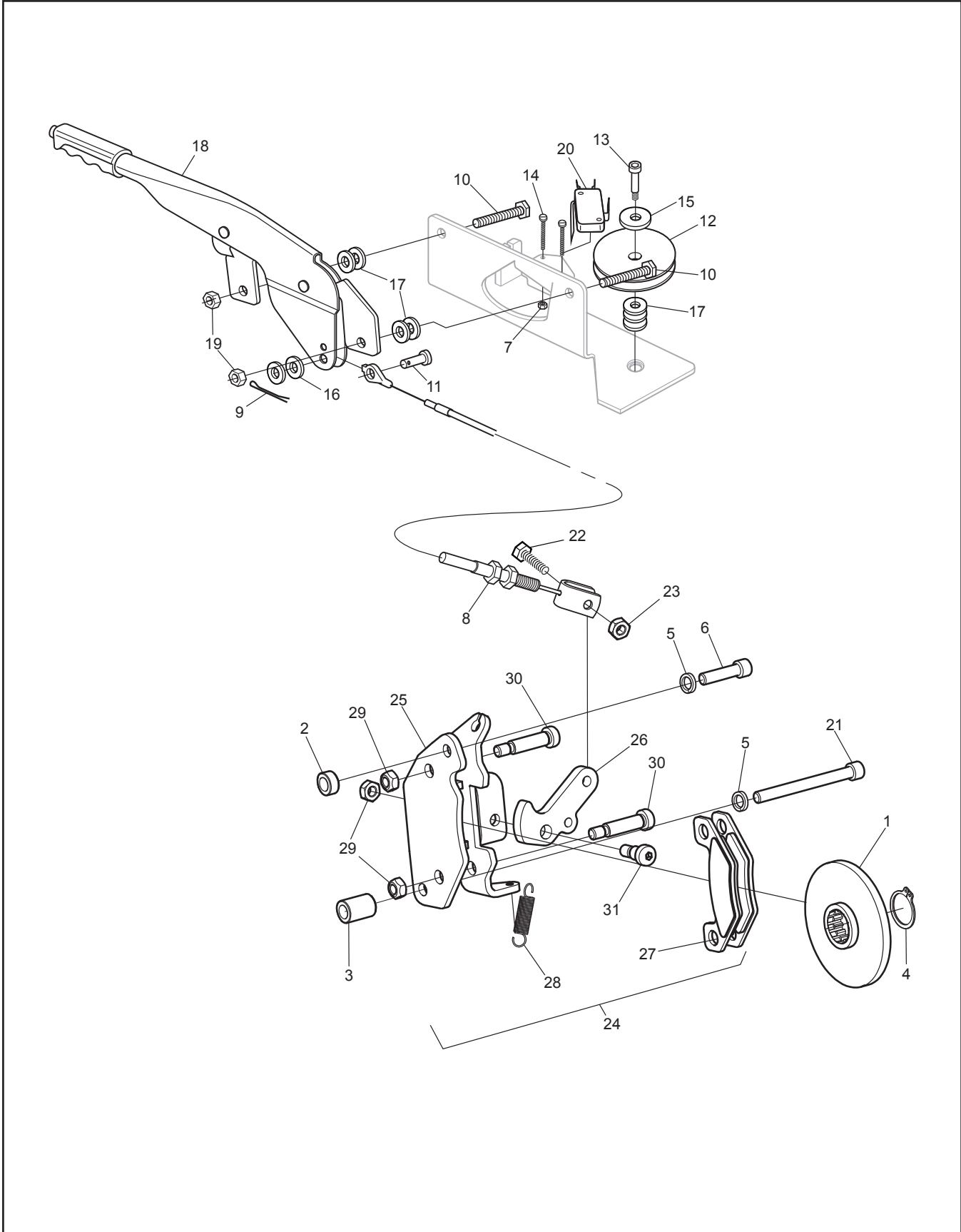
HDi SE Parts Manual



Ref.	Qty.	Part #	Description	Ref.	Qty.	Part #	Description
1	1	612-133	Frame Ass'y- Steering Column HDi	45		126-19	Fluid, Brake-Silicon Dot 5 - .35L
2	1	612-107	Handlebar Assembly	46	1	163-05	Hose Asm, Hydraulic - Left
3	1	165-58	Master Cylinder, RH Wilwood	47	1	163-06	Hose Asm, Hydraulic - Right - SS
4	1	165-57	Master Cylinder, LH Wilwood	48	2x2	160-42	Screw, FHMS M5 x 0,8 x 6mm
5	1	612-128	Shaft, Steering - Avenger	49	2x1	168-08	Cover
6	2	104-42	Pin, Spring 1/4 x 1.5"	50	2x1	168-09	Cover, Rubber
7	1	108-47	Washer, .39 x .94 x .13 Zn Di-chr	51	1	165-37	Piston Seal Kit - Wilwood
8	1	117-29	Locknut, Nylon 3/8-16 Zn	52	2x1	162-08	Spring, Comp. 17.3 x 49.3mm
9	2	612-124	Arm, Steering	53	2x1		Seal, Primary, 19mm (See Ref. 63)
10	1	612-106	Clamp, Lower Handlebar	54	2x1	168-10	Piston 19mm dia.
11	1	612-105	Clamp, Upper Handlebar	55	2x1		Seal, Secondary, 19mm (See Ref. 63)
12	1	106-07	Ring, Retaining SH-0075PA	56	2x1		Boot, Rubber (See Ref. 63)
13	1	112-194	Bolt, Banjo, M10x1.0, Double	57	2	812-30	Pin, Female
14	2	105-16	Bushing, Oilite - 3/4 x 1/2	58	2	117-03	Nut, Fin Hex 1/4-20 Zn
15	2	110-17	Key, 3/16 x 3/16 x .625	59	2	812-31	Fin, Male
16	1	117-21	Locknut, Nylon 5/16-18 Zn	60	2	112-02	SHSS 10-24x1/4 Knurl Cup PT, PL
17	2	112-47	SHCS, 1/4-20 x 1.0 Zn	61	4	165-38	Caliper Pin, Service Brake HDi
18	2	117-27	Locknut, Nylon 1/4-20 Zn	62	2x2	168-07	Pin, Cotter 1/8 x 3.00 Zn
19	1	112-155	C/Bolt 5/16-18x1.25 Gr2 Zn	63	2x1	161-25	O-Ring Kit - Master Cylinder - Grimeca (incl. Ref. 53, 55 & 56)
20	1	108-24	Washer, .34 x .70 x .06 Zn	64	6	160-44	Bolt, Banjo - M10 x 1,0 x 21,0
21	2	112-04	HHCS 1/4-20 x 3/4 Gr2 Zn	65	15	160-01	Washer, Copper - 1,5 x 10,0 x 14,0
22	2	108-03	Lockwasher 1/4 Split Ring Zn	66	3	125-84	Grommet, Rubber
23	2	103-66	HHCS, 1/4-20 x 4.0 Gr5 Zn	68	1	165-43	Brake Line, Driver Side
24	4	108-08	Washer, .28 x .62 x .04 Zn	69	2	103-69	SHCS 1/4-20 x 1.5 Zn
25	2x8	108-24	Washer, .34 x .70 x .06 Zn	70	1	612-132	Bracket, LCD Gauge - Painted
26	2	812-17	Collar	71	1	128-27	Grommet 1-1/4ID x 1-1/2x3/32
27	1	165-31	Handbrake, Left Hydraulic	72	2	117-86	Nut, Acorn, 1/4-20 Zn
28	1	165-42	Brake Line, Passenger Side	73	3	117-85	Nut, Acorn, M5 Zn
29	2	127-35	Grip, Molded	74	3	120-04	Washer .19 x .50 x.08 Zn
30	1	127-81	Throttle Twist Grip	75	1	613-173	Hand Control Switch,EU
31	1	612-101	Cable Asm., Throttle	76	1	118-66	Switch, Brake Light
32	2	165-32	Caliper, Service (includes Ref. 44 & 61)	77	1	118-67	Boot, Brake Light Switch
33	1	166-10	Caliper, Hydraulic Brake - L w/o pads				
34	1	166-11	Caliper, Hydraulic Brake - R w/o pads				
35	2	161-05	O-ring Kit, Knott Caliper				
36	4		Seal, Piston				
37	2		Seal, Rubber				
38	2x1	168-20	Plug, Rubber				
39	2x1	168-02	Screw, Bleeding, Knott Caliper				
40	2x4	103-55	HHCS, 5/16-18 x 2.75 Gr5 Zn				
41	1	170-03	Pad Set (4), Brake - Non-Asbestos				
42	2x4	117-03	Nut, Fin Hex 5/16-18 Zn				
43	2x2	168-01	Piston, Knott Caliper				
44	1	165-36	Brake Pad (4) Replacement - Kit				

6.0 Parking Brake

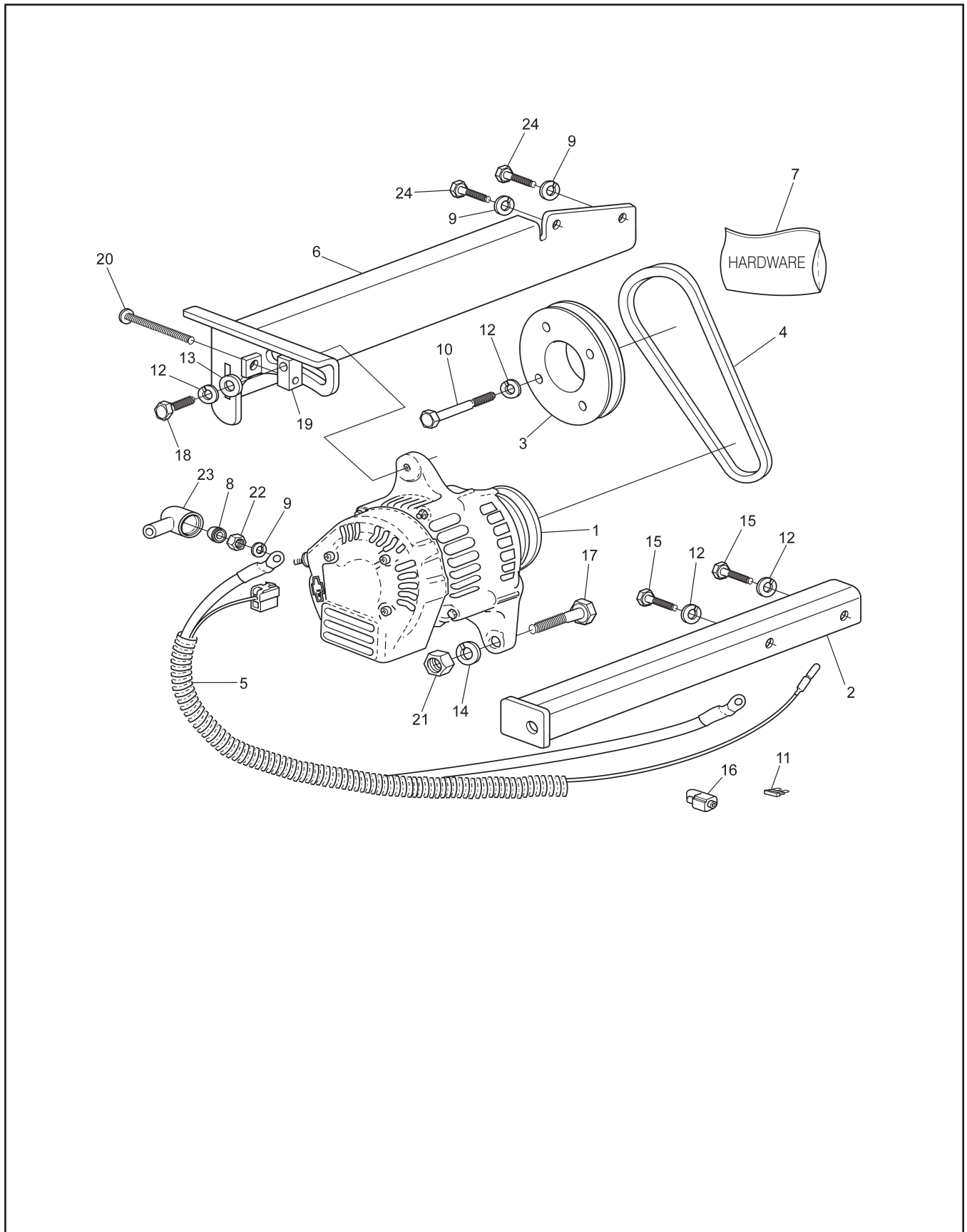
HDi SE Parts Manual



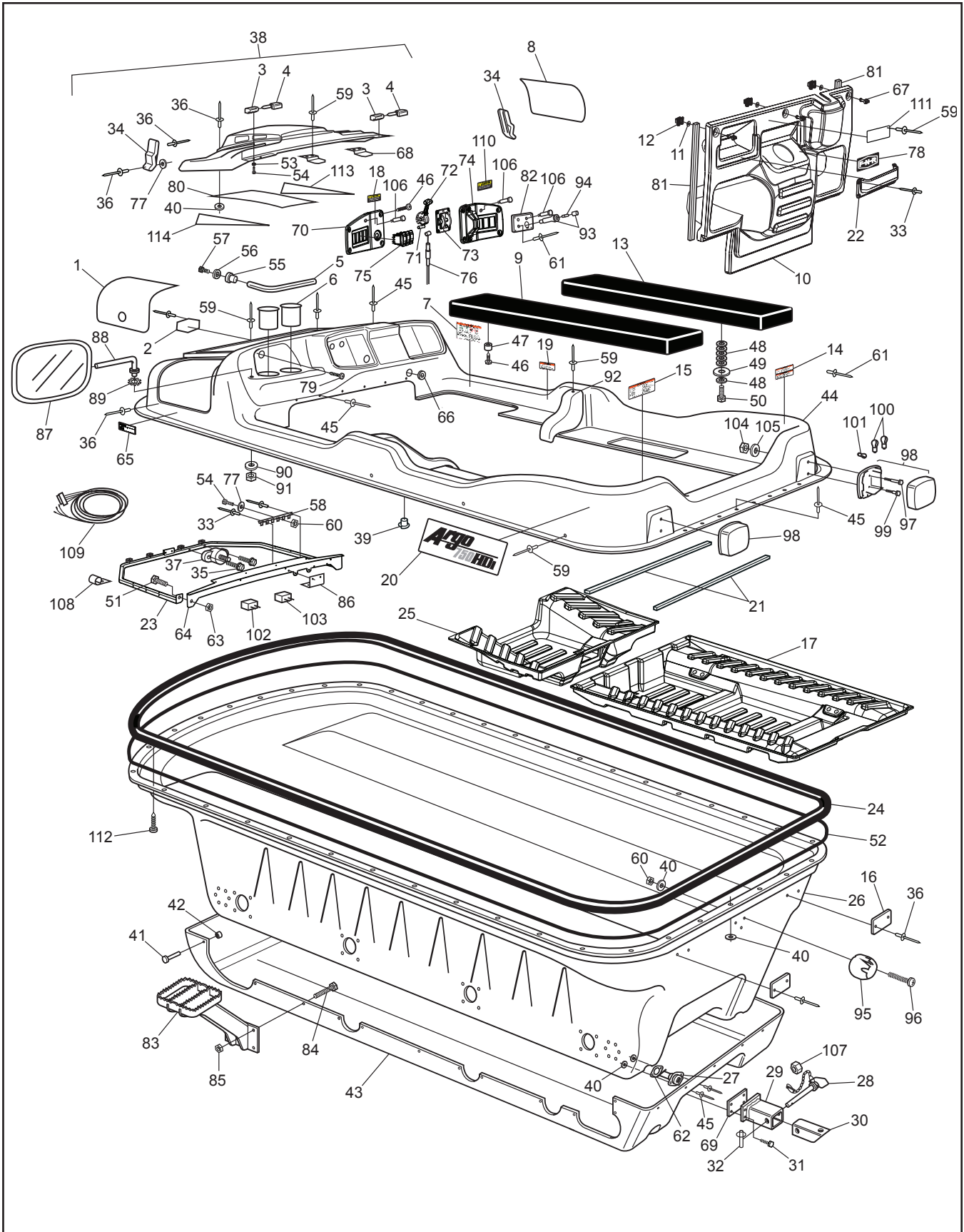
Ref.	Qty.	Part #	Description
1	1	165-52	Rotor, E-Brake
2	1	165-49	Spacer, ID.39 x OD.63 x .295
3	1	165-48	Spacer, ID.39 x OD.63 x .90
4	1	106-29	Retaining Ring SH-0093-PA
5	2	108-05	Lockwasher 5/16 Split-Ring Zn
6	1	112-143	SHCS 5/16 x 1.25 Zn
7	2	112-173	Locknut, #5-40, Zn
8	1	850-81	Cable, Parking Brake
9	1	100-100	Pin, Cotter 1/8x3/4 Zn
10	2	103-06	HHCS 5/16-18x1.0 Gr5 Zn
11	1	104-27	Pin, Clevis 5/16x.75" Zn
12	1	850-79	Pulley, Parking Brake Cable
13	1	112-178	Bolt, Shoulder, 1/2 x 5/8
14	2	112-172	SHCS 5-40 x 3/4 Zn
15	1	108-35	Washer .53 x 1.06 x .09 Zn
16	2	108-24	Washer .34x.70x.06 Zn
17	7	108-47	Washer .39x.94x.13 Zn Di-Chro
18	1	809-147	Lever, Parking Brake
19	2	117-21	Locknut, Nylon 5/16-18 Zn
20	1	613-120	Switch, Micro, Lever
21	1	112-228	SHCS 5/16-18 x 3.25 Zn
22	1	103-08	HHCS 1/4-20 x 1.0 Zn
23	1	117-27	Locknut, Nylon 1/4-20 Zn
24	1	165-50	Caliper, Parking Brake, Ass'y(incl. Ref. #'s 30-36)
25	1	165-44	Caliper, Wldt Parking Brake
26	1	165-51	Cam, Caliper, Park Brake
27	1	165-36	Brake Pad Replacement Kit
28	1	127-280	Spring, Extension 3/8" x 1.75"
29	3	117-25	Nut, Conelock 5/16-18
30	2	112-224	Bolt, Shoulder 3/8 x 1.25
31	1	112-223	Bolt, Shoulder 3/8 x 0.38
			*If equipped

7.0 Alternator

HDi SE Parts Manual



Ref.	Qty.	Part #	Description
1	1	850-41	Alternator - 40 amp
2	1	850-181	Bracket Assy, Altr Engine Lower
3	1	850-59	Pulley, V-Belt
4	1	850-45	V-Belt, 3/8" x 19"
5	1	850-58	Wire Harness
6	1	850-180	Bracket Assy, Altr Engine Upper
7	1	850-54HDW	Hardware Kit comprised of:
8	1	117-94	Pushnut, 5/32" Shaft
9	3	108-03	Lockwasher 1/4" Split Ring Zn
10	4	112-167	HHCS M8 x 1,25 x 80 mm Zn
11	1	118-52	Fuse, 10A 2-Prong
12	7	108-05	Lockwasher 5/16" Split Ring Zn
13	1	108-24	Flat Washer .34 x .70 x .06 Zn
14	1	108-27	Lockwasher 7/16" Split Ring Zn
15	2	112-20	HHCS M8 x 1.25 x 25mm
16	1	118-04	Connector, t-Tap 14-18 Awg
17	1	112-22	HHCS M10 x 1,50 x 50mm Zn
18	1	112-63	HHCS M8 x 1.25 x 35mm Gr 5 Zn
19	1	850-52	Block, Adjuster
20	1	112-65	RHMS 1/4 - 20 x 3" Phil Zn
21	1	117-62	Nut, Hex M10 x 1.50 Zn
22	1	117-63	Nut, Hex M6 x 1.0 Zn
23	1	613-45	Insulator, Terminal (6ga.)
24	2	112-97	HHCS M6 x 1,0 x 25mm Zn



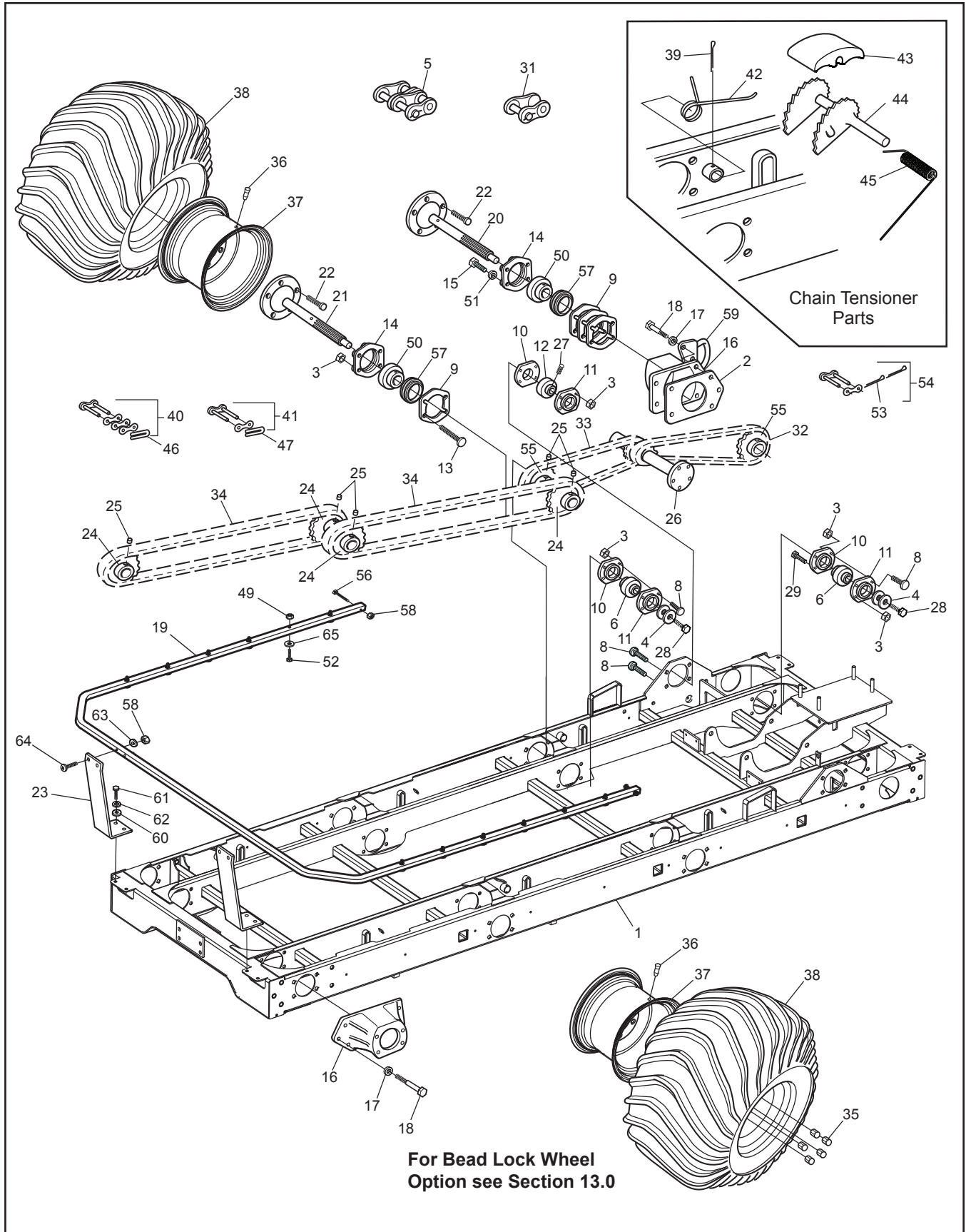
HDI SE Parts Manual

8.0 Vehicle Body & Firewall

Ref.	Qty.	Part #	Description	Ref.	Qty.	Part #	Description
1	1	707-56	Weldment, Exhaust Screen	59	23	120-13	Rivet, 3/16 x 3/4 Black
2	1	601-130	Nameplate, "Argo"	60	4	117-10	Locknut, 10-24 N/I Zn
3	2	127-45B	Knuckle, Hinge	61	44	120-24	Rivet, 3/32x3/8 Alum. (all plates)
4	2	127-45A	Pin, Hinge	62	2	100-114	Gasket, Drain Plug
5	1	601-101BL	Tube, Dash Handle	63	2	117-82	Locknut, Flange 1/4-20 Zn
6	2	100-109	Cup holder Insert	64	1	602-51	Frame Ass'y, Hood - Rear
7	1	126-68	Plate, Operation	65	1	127-144	Label, Warning - HOT
8	1	707-59	Weldment, Intake Screen	66	1	128-26	Grommet, 1-1/2ID x 1-3/4x1/4
9	1	608-64	Seat, Rear - Left	67	3	112-193	Stud, Q-Turn
10	1	609-42	Firewall, Admiral	68	2	602-52	Clip, Hood
11	3	114-24	Retainer, Q-Turn Washer	69	1	616-20	Gasket, Rear Hitch
12	3	117-91	Receptacle, Q-Turn	70	1	601-113	Panel, Dash - Left, HDi
13	1	608-65	Seat, Rear - Right	71	1	104-66	Pin, HD Shift Cable Threaded
14	1	126-67	Plate, Floor Pan	72	1	127-212	Pivot, Hi-Lo Shifter
15	1	127-217	Plate, Vehicle Capacity	73	1	127-211	Bracket, Hi-Lo Shifter
16	2	613-148	Rear Reflector, Hella	74	1	601-112	Panel, Dash - Right, HDi
17	1	803-69	Floor Pan, Rear Euro - HDi	75	1		See Section 11.0 Electrical System
18	1	127-199	Label, Caution - Dash, HDi	76	1	127-223	Cable, Hi-Lo Shift Threaded
19	1	126-69	Plate, Fuel	77	6	120-05	Washer .19 x .50 x .04 Zn
20	2	127-207	Nameplate - HDi SE	78	1	127-200	Label, F-N-R - HDi
21	2	601-09	Trim, Vinyl - 28"	79	3	112-139	OHPS T/S #4x5/8 Black Zn
22	1	609-43	Glove Box, Firewall, HDi	80	1	707-66	Weldment, Hood Screen, Front
23	1	602-49	Frame Ass'y, Hood - Front	81	2	809-166	Seal, 15" Long
24	1	801-05	Bumper, Vinyl - 8x8	82	1	601-116	Plate, Indicator - SE HDi
25	1	803-63	Floor Pan, Front - HDi	83	1	848-05	Step Ass'y, Entry - Avenger
26	1	801-50	Body, Lower	84	4	103-34	HHCS 3/8-16x1.25 Gr5 Zn
27	2	100-107	Plug, Drain - Flanged	85	4	117-29	Locknut, Nylon 3/8-16 Zn
28	1	104-55	Pin with Chain and Lynch Pin	86	1	602-61	Bracket, Flasher Relay Mnt
29	1	616-22	Hitch Assembly, EU	87	1	848-168	Mirror, Side
30	1	616-19	Tube, Hitch	88	1	848-169	Support, Side Mirror
31	4	103-61	HHCS 3/8-24 x 1.5 Gr5 Zn	89	1	108-55	Lockwasher 7/16 Ext Tooth Zn
32	1	104-11	Pin, Lynch - Ring	90	1	108-18	Washer .40x1.37x.12 Zn
33	12	120-15	Rivet - 1/8 x 7/16	91	1	117-60	Locknut, Nyloc M10x1.5mm Zn
34	2	602-56	Latch, Hood - Soft Draw	92	2	601-117	EU Cover, Body Side - TPO
35	2	112-51	Screw, IHWH T/C #10-24x5/8	93	1	613-163	Switch, Hazard Flasher, No Bulb
36	34	120-11	Rivet 5/32 x 9/16 - Black	94	1	613-164	Bulb, Hazard Flasher
37	1	613-123	Post, Power, 5/16-18, Red	95	1	613-147	Trailer Connector, Hella
38	1	602-70	Hood Kit (specify colour) (incl. 3, 4, 34, 36, 40, 45, 53, 54, 67, 68, 80)	96	3	112-07	RHMS 10-24x1.50 Zn
39	2	117-44	T- Nut 1/4-20 Zn	97	2	103-77	HHCS 1/4-28x2.0
40	92	120-04	Washer .19 x .50 x .08 Zn	98	2	613-143	Tail Stop Turn
41	32	120-27	Pin, Magna Grip	99	4	112-121	HHCS 1/4-28x1.25 Gr2 Zn
42	32	120-28	Collar, Magna Grip	100	4	613-169	Bulb, EU Tail, Turn Signal
43	1	801-51	Skid Plate, 8x8 - Black	101	2	613-171	Bulb, EU RR Marker
44	1	801-194	Body & Hood, Upper - (specify colour) (incl. 23, 33, 34, 38)	102	1	613-146	4 Way Flasher Relay, Hella
45	115	120-09	Rivet 3/16 x 1 - Black	103	1	118-73	Relay, Signal Light, Glow Plug
46	12	103-48	T/S Pan HD PHIL #10 x 5/8	104	4	117-01	Locknut, Nylon 1/4-28 Zn
47	4	126-79	Bumper, Plastic - Black	105	4	108-08	Washer .28x.62x.07 Zn
48	24	108-25	Washer .31 x .75 x .06 Zn	106	5	613-145	Dashboard Lights, Hella
49	4	603-15	Washer, Plastic 5/16 Hole	107	1	112-115	Locknut, Nylon M6x1 Zn
50	4	103-08	HHCS 1/4-20 x 1.0 Zn	108	8	127-24	Clamp, Nylon - 1" ID
51	2	112-04	HHCS 1/4-20 x 3/4 Gr2 Zn	109	1	613-149	Wire Harness, EU Ligh Acc.
52	1	126-60	Vinyl Strip, 1/2" x 1/4" x 37.5'	110	1	127-221	Label, Shift Warning
53	8	108-59	Lockwasher #10 Int. Tooth Zn	111	1	129-01	Plate, Geared By ODG
54	9	103-47	HHCS 10-24 x 1/2	112	8	112-292	T/S Washer Hd Phil #8x3/4 Blk
55	1	113-12	Insert, 1/2-13	113	1	707-62	Weldment, Hood Screen RH
56	1	108-35	Washer .53 x 1.06 x .09 Zn	114	1	707-63	Weldment, Hood Screen LH
57	1	112-151	HHCS 1/2-13 x 1" Gr2 Zn				Note: For ultra chrome add UC to part #
58	1	613-37	Terminal Strip, Ground				

9.0 Frame and Drive System

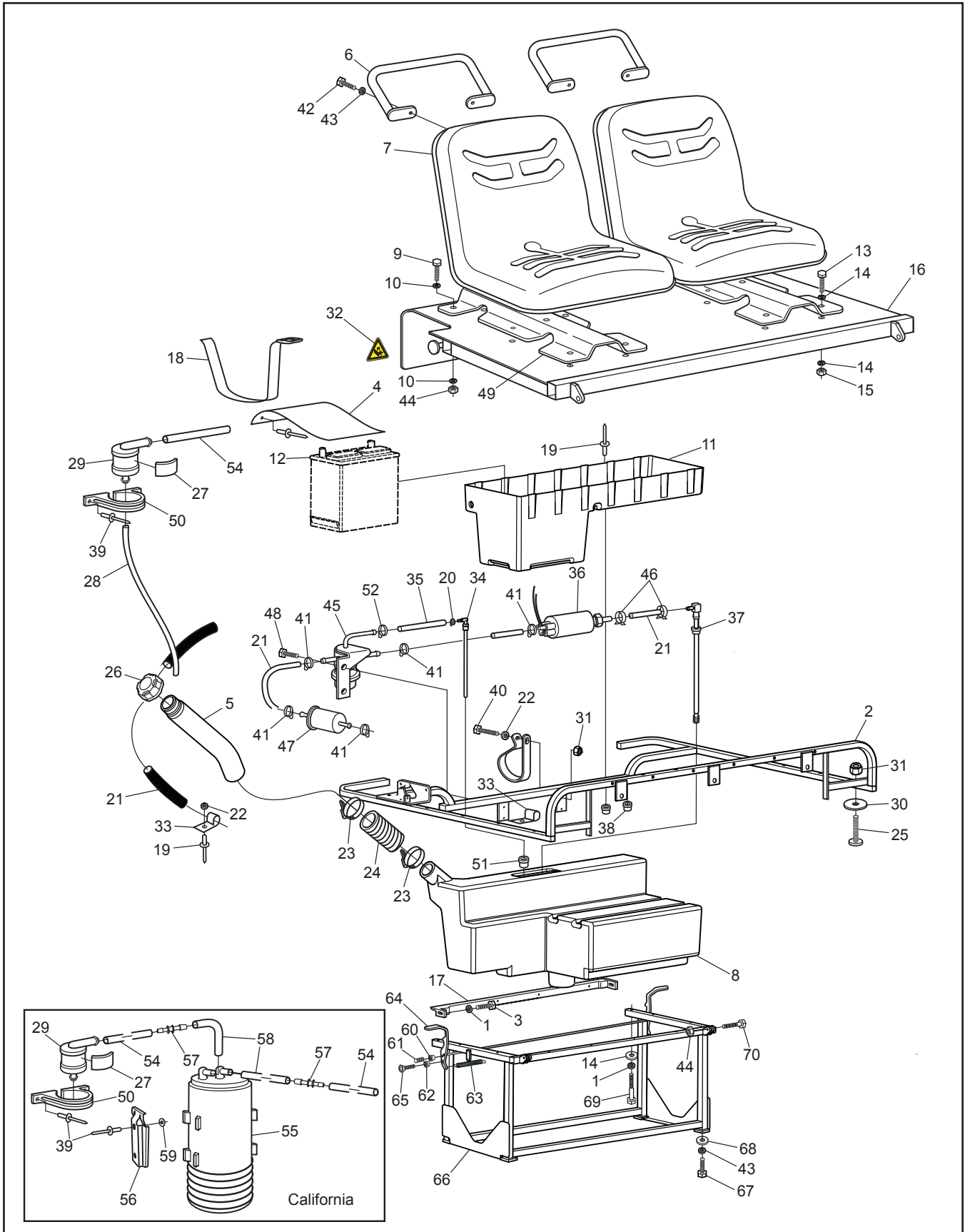
HDi SE Parts Manual



HDI SE Parts Manual

9.0 Frame and Drive System

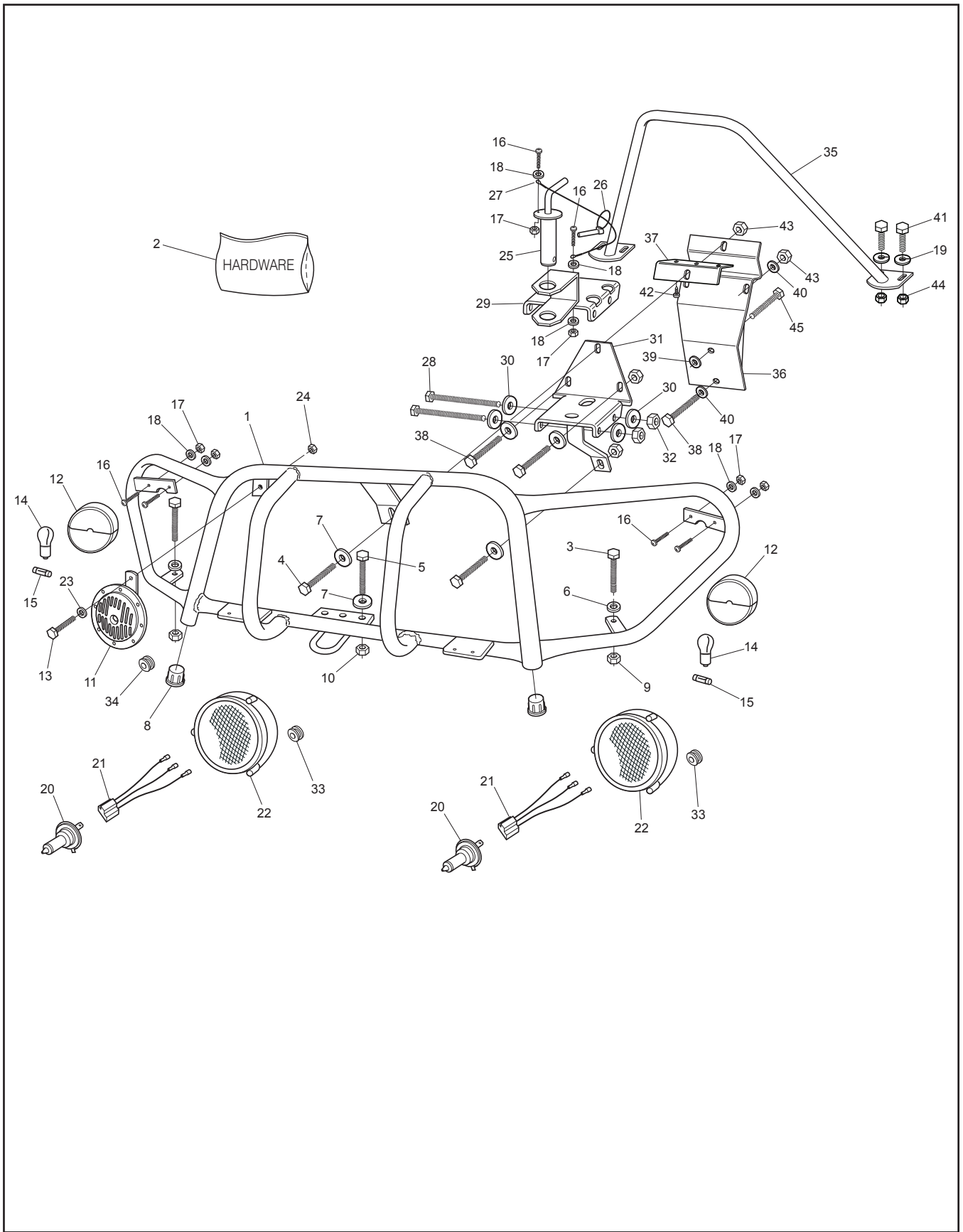
Ref.	Qty.	Part #	Description	Ref.	Qty.	Part #	Description
1	1	804-131	Frame Wldt., 8x8 HD EU/SE	39	6	100-01	Pin, Cotter 1/8 x 1.50 Zn
2	4	606-25	Gasket - Bearing Extension	40	1x4	100-96	Con. Link, RC50-2 H.D.
3	72	117-118	Locknut, Nylon 3/8-16 Flanged	41	1x4	603-84	Con. Link, RC60-1 H.D.
4	16	108-46	Washer .40 x 1.37 x .12 Hi-Carbon	42	6	127-65	Spring Torsion - 1.16x0.35
5		125-75	Link, Half RC50-2	43	6	606-44	Slider Block
6	8	101-41	Bearing, Ball - 1.0	44	6	606-82	Tensioner Asm, Chain
8	39	103-88	C/Bolt 3/8-16 x 1.0 Gr5 Zn	45	6	127-64	Spring, Torsion - .76 x 1.9
9	16	606-90	Gasket, Flange - 72mm	46	4	603-95	Spring Clip - RC 50 Closed
10	20	606-91	Flange - 4 Hole Hd	47	4	603-96	Spring Clip - RC 60 Closed
11	10	606-92	Flange, Greasable - 4 Hole Hd	49	14	117-10	Locknut, 10-24 N/I Zn
12	2	101-96	Bearing, Ball - 1.25x1.5 No Grv	50	8	101-95	Bearing, Ball - 1.25 x 72mm
13	16	112-187	C-Bolt 3/8-16x2.0 Gr5 Zn	51	16	108-06	Lockwasher 3/8 Split Ring Zn
14	8	606-88	Flange Ass'y, Outer Bearing	52	14	112-07	RHMS 10-24x1.50 Zn
15	16	103-68	HHCS 3/8-16 x 2.0 Gr5 Zn	53	4	104-35	Pin, Cotter 2mm x 12mm
16	4	810-112	Bearing Extension w/nuts	54	2	127-188	Link, Con. #60 Lambda
17	20	108-34	Washer .47 x .94 x .06 Zn	55	4	810-118	Sprocket, D50 x 25T
18	20	112-181	HHCS 7/16-20 x 1.75 Gr5 Zn	56	2	112-214	HHCS 1/4-20 x 2 Gr5 Zn
19	1	806-254	Tube, Rear Hoop, Argo	57	8	606-89	Carrier, Axle Bearing
20	4	810-92	Axle Asm - Front/Rear HD	58	6	117-27	Locknut, Nylon 1/4-20 Zn
21	4	810-113	Axle Asm - Mid HD	59	2	642-47	Tie Down Bracket
22	5x4	112-183	Stud, Wheel 7/16-20 x 1.5	60	4	108-12	Washer .34x1.00x.06 Zn
23	2	806-255	Bracket, Rear Hoop, Argo	61	4	103-06	HHCS 5/16-18x1.0 Gr5 Zn
24	8	606-34	Sprocket, S60 x 19T	62	4	108-05	Lockwasher 5/16 Split-Ring Zn
25	10	112-03	SHSS 5/16-18 x 3/8 1/2 DOG, PL	63	4	108-08	Washer .28x.62x.07 Zn
26	1		See Section 4.0 Power Pack Ass'y	64	4	112-215	C/Bolt 1/4-20 x 1.5 Gr2 Zn
27	4	112-60	SHSS 1/4-28 x 1/2 Cup Pt.	65	14	108-42	Washer .21x1.0x.06 Zn
28	8	112-31	HHCS 3/8-16 x 1.0 2B Gr8 Zn				For Bead Lock Wheel Option see Section 13.0
29	1	112-163	HHCS 3/8-16 x 2.0 Gr5 Zn				
30	8	112-61	C/Bolt 3/8-16 x 1.25 Gr5 Zn				
31		127-80	Link, Half - RC60 - 1 (opt.)				
32	2	603-19	Chain, RC50-2x44P-Front (incl. Ref. 40)				
33	2	803-65	Chain, RC50-2x80P-Middle (incl. Ref. 40)				
34	4	803-57	Chain, RC60-1 x 90P-Rear (incl. Ref. 41)				
35	5x8	117-35	Nut, Wheel 7/16-20 Zn				
36	8	125-26	Valve, Tire				
37	8	127-61BL	Rim - 10 x 9 - Black				
38	8	127-182	Tire, Argo 25x12-9				



Ref.	Qty.	Part #	Description	Ref.	Qty.	Part #	Description
1	8	108-03	Lockwasher 1/4 Split Ring Zn	47	1	24 050 03	Filter, Fuel Line - EFI - c/w engine
2	1	608-135	Frame Assembly, Seat HDi	48	2	103-47	HHCS, 10-24 x 1/2
3	4	112-04	HHCS 1/4-20x3/4 Gr2 Zn	49	2	608-158	Stiffener, Suspension Seat
4	1	127-205	Cover, Battery - Euro	50	1	609-50	Clamp, Rollover Valve
5	1	608-140	Fuel, Fill Neck Assembly	51	1	608-136	Grommet, Fuel Return
6	2	608-115	Handrail, Susp. Seat	52	1	112-258	Clamp, Fuel Injection 1/4"
7	2	608-100	Seat, Suspension				
8	1	608-122	Tank, Fuel Single Layer				
	1	608-120	Tank, Fuel Low Permeation (for U.S.)				
9	4	103-17	HHCS 3/8-16x1.0 Gr5 Zn	8	1	608-120	Tank, Fuel Low Permeation
10	8	108-15	Washer .42x.81x.05 Zn	1	1	127-273	Plate, Serial Blank Double
11	1	608-118	Toolbox, Suspension Seat	1	1	127-274	Label, U.S EPA EVAP Approval
12	1		See Section 11.0 Electrical System	53	2	120-24	Rivet, Alum - 3/32 x 3/8 Black
13	8	103-08	HHCS 1/4-20x1.0 Zn				
14	24	108-08	Washer .28 x .62 x .07 Zn				
15	8	117-27	Locknut, Nylon 1/4-20 Zn	8	1	608-120	Tank, Fuel Low Permeation
16	1	608-150	Seat Mount, Suspension	1	1	127-273	Plate, Serial Blank Double
17	1	608-173	Support Wldt, EU Toolbox	1	1	127-274	Label, U.S EPA EVAP Approval
18	1	608-56	Strap, Battery				
19	17	120-09	Rivet 3/16x1 - Black	39	2	120-13	Rivet - 3/16 x 3/4 Black
20	4	112-79	Clamp, Hose, 1/2" - Red	53	4	120-24	Rivet, Alum - 3/32 x 3/8 Black
21	1	608-69	Hose, Fuel 5/16" ID x 7.5' - Carb	1	1	127-275	Label, Carb EVAP Approval
22	9	120-04	Washer .19 x .50 x .08 Zn				
23	2	100-12	Clamp, Gear 2.25" HF-36	54	1	126-101RM	Hose, Vent 3/16" ID
24	1	125-94	Hose, Filler	55	1	609-45	Carbon Canister 800cc
25	10	112-07	RHMS 10-24 x 1.50 Zn	56	1	609-46	Bracket, Carbon Canister
26	1	126-100	Fuel Cap, Tethered	57	2	609-48	Reducer, Barbed 1/4" to 3/16"
27	1	126-60	Vinyl Strip 1/2" x 1/4"				
28	6'	127-160RM	Tubing, 1/4 ID Clear Plastic	58	2	127-160-3	Hose, 1/4ID x 3/8OD - 3" Long
29	1	609-47	Valve, Rollover				
30	10	108-42	Washer .21 x 1.0 x .06 Zn	59	2	120-05	Washer .19x.50x.04 Zn
31	14	117-10	Locknut, Nylon #10-24 Zn				
32	2	127-222	Label, Warning - Pinch Point	60	2	117-70	Insert, M10x1.5-13.5mm OD
33	7	126-93	Clamp, Nylon Wire - 1/2" ID	61	2	34-258	Plunger, Ball-Nose Spring
34	1	608-138	Return, Fuel Port	62	2	608-159	Pivot, Susp. Seat Latch
35	1	608-66	Hose, Fuel	63	2	127-194	Spring, Ext. .360 x 3.0
36	1	24 393 52	Fuel Pump, EFI	64	1	608-170	Latch Wldt, EU Seat
37	1	608-127	Pick-up, Fuel, 5/16 105 Mesh	65	2	112-171	FHCS 1/4-20 x 3/4 Gr2 Zn
38	2	117-64	Insert, 1/4-20 Steel Cad Pltg.	66	1	608-160	Seat Frame, Susp. Latched
39	4	120-13	Rivet, 3/16 x 3/4 Black	67	4	112-01	HHCS 5/16-18x3/4 Gr5 Zn
40	1	112-182	HHCS 10-24 x .75 Zn	68	4	108-24	Washer .34x.70x.06 Zn
41	5	112-243	Clamp, Fuel Injection 5/16"	69	2	112-202	HHCS 1/4-20 x 1.75 Gr5 Zn
42	4	112-20	HHCS M8x1,25x25mm Zn	70	2	103-82	HHCS 3/8-16x1.5 Gr5 Zn
43	8	108-05	Lockwasher 5/16 Split-Ring Zn				
44	10	117-29	Locknut, Nylon 3/8-16 Zn				
45	1	24 403 16	Regulator, Fuel Pressure				
46	2	112-78	Clamp, Hose, 9/16				

11.0 Brushguard

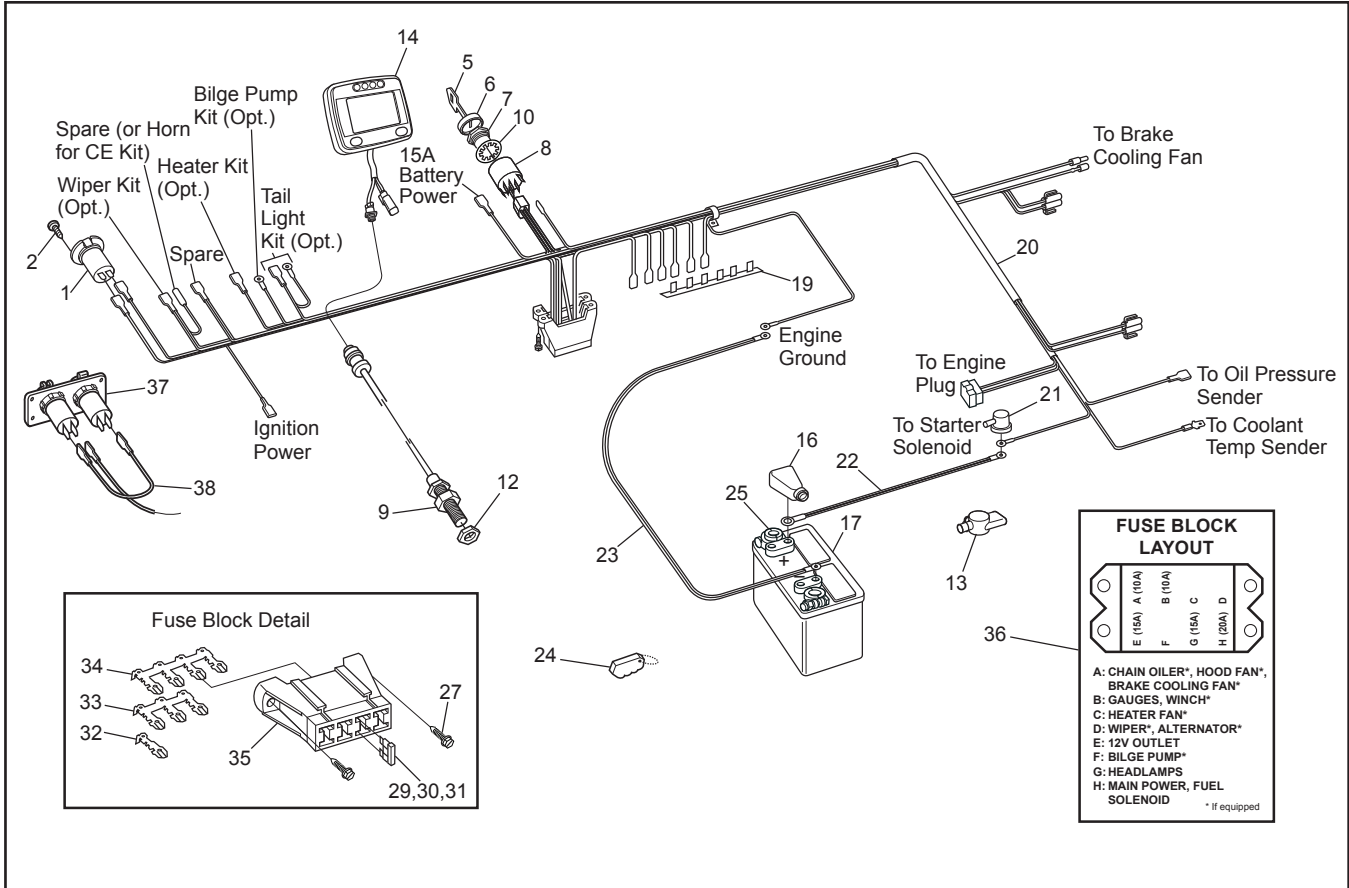
HDi SE Parts Manual



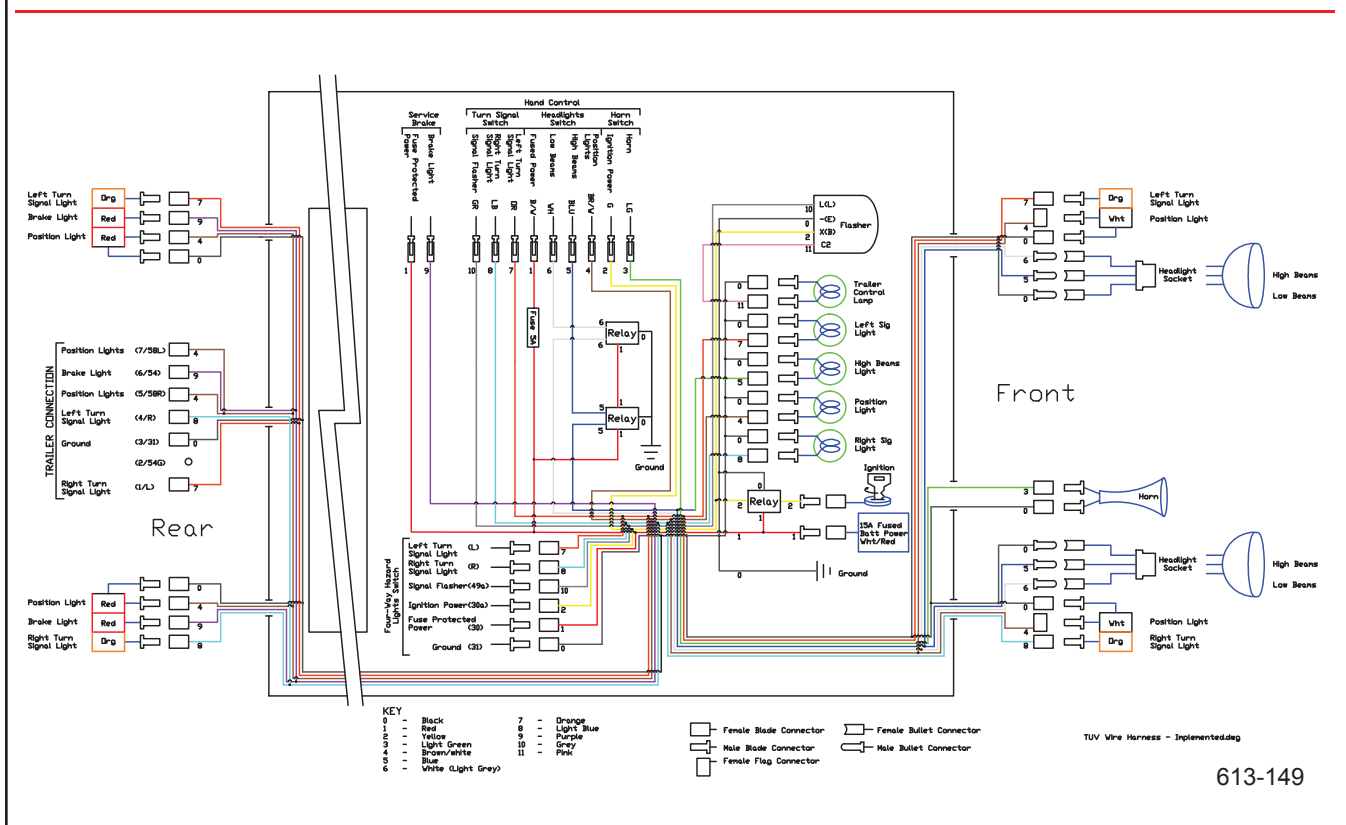
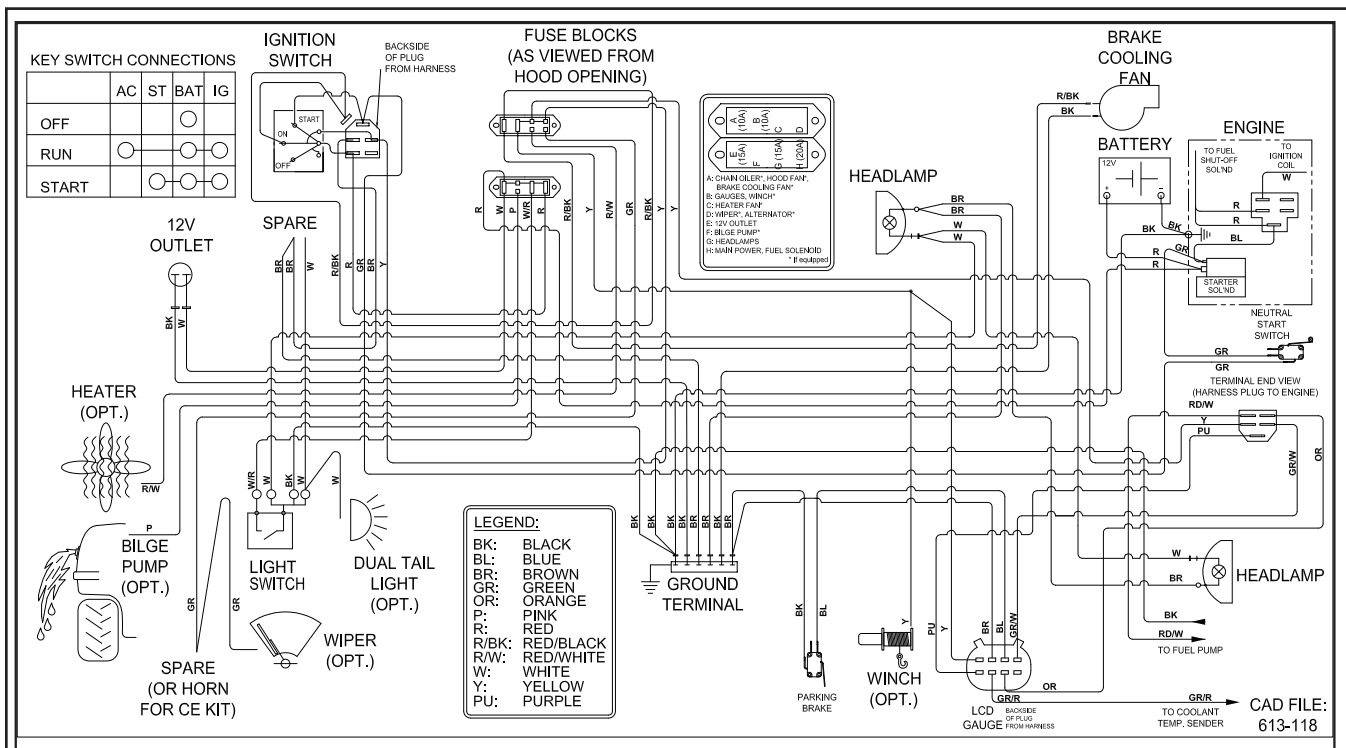
Ref.	Qty.	Part #	Description
1	1	642-61	Brush Guard, Hella Light Acc.
2	1	642-20HDW	Hardware Kit comprised of:
3	2	103-57	HHCS 5/16-18 x 1.5 Gr5 Zn
4	1	103-76	HHCS 3/8-16 x 1.75 Gr5 Zn
5	3	103-82	HHCS 3/8-16 x 1.5 Gr5 Zn
6	2	108-12	Washer .34 x 1.00 x .06 Zn
7	7	108-18	Washer .40 x 1.37 x .12 Zn
8	2	113-13	Plug, 1-1/4" Tube- Avg Brush Guard
9	2	117-21	Locknut, Nylon 5/16-18 Zn
10	4	117-29	Locknut, Nylon 3/8-16 Zn
11	1	613-144	Horn, Hella
12	2	613-142	Turn Signal and Marker, Hella
13	1	103-06	HHCS 5/16-18x1.0 Gr5 Zn
14	2	613-169	Bulb, EU Tail, Turn Signal
15	2	613-170	Bulb, EU Fr Marker
16	7	103-25	PHMS 10-24x3/4 Zn
17	6	117-10	Locknut, 10-24 N/I Zn
18	4	120-05	Washer .19x.50x.04 Zn
19	5	108-05	Lockwasher 5/16 Split-Ring Zn
20	2	613-168	Bulb, EU Headlight
21	2	613-172	Socket, EU Headlight
22	2	613-141	Headlight High Low, M133 Hella
23	1	108-25	Washer .31x.75x.06 Zn
24	1	117-21	Locknut, Nylon 5/16-18 Zn
25	1	622-124	Pin Ass'y, Front Hitch EU
26	1	104-11	Pin, Lynch - Ring
27	1	622-125	Lanyard, Front Hitch EU
28	2	112-91	HHCS M10x1,5x150mm Zn
29	1	622-120	Front Hitch, Ass'y EU
30	4	108-23	Washer .42x.81x.06 Gr8 Zn Di-C
31	1	622-112	Receiver Ass'y, Front Winch
32	2	117-60	Locknut, Nyloc M10x1.5mm Zn 8
33	2	127-132	Grommet, Rubber - 1/2" ID
34	1	125-84	Grommet, Rubber
35	1	622-81	Hoop Ass'y, Winch - Avenger
36	1	622-83	Bracket, Body Support - Winch
37	1	622-99	Hoodframe Support Bracket, Winch
38	4	103-82	HHCS 3/8-16 x 1.5 Gr5 Zn
39	1	108-18	Washer .40x1.37x.12 Zn
40	9	108-47	Washer .39x.94x.13 Zn Di-Chro
41	4	112-01	HHCS 5/16-18x3/4 Gr5 Zn
42	3	112-102	Screw, Self Drill 12-14x3/4"
43	5	117-29	Locknut, Nylon 3/8-16 Zn
44	4	117-03	Nut, Fin Hex 5/16-18 Zn
45	1	103-17	HHCS 3/8-16 x 1.0 Gr5 Zn

12.0 Electrical System

HDi SE Parts Manual

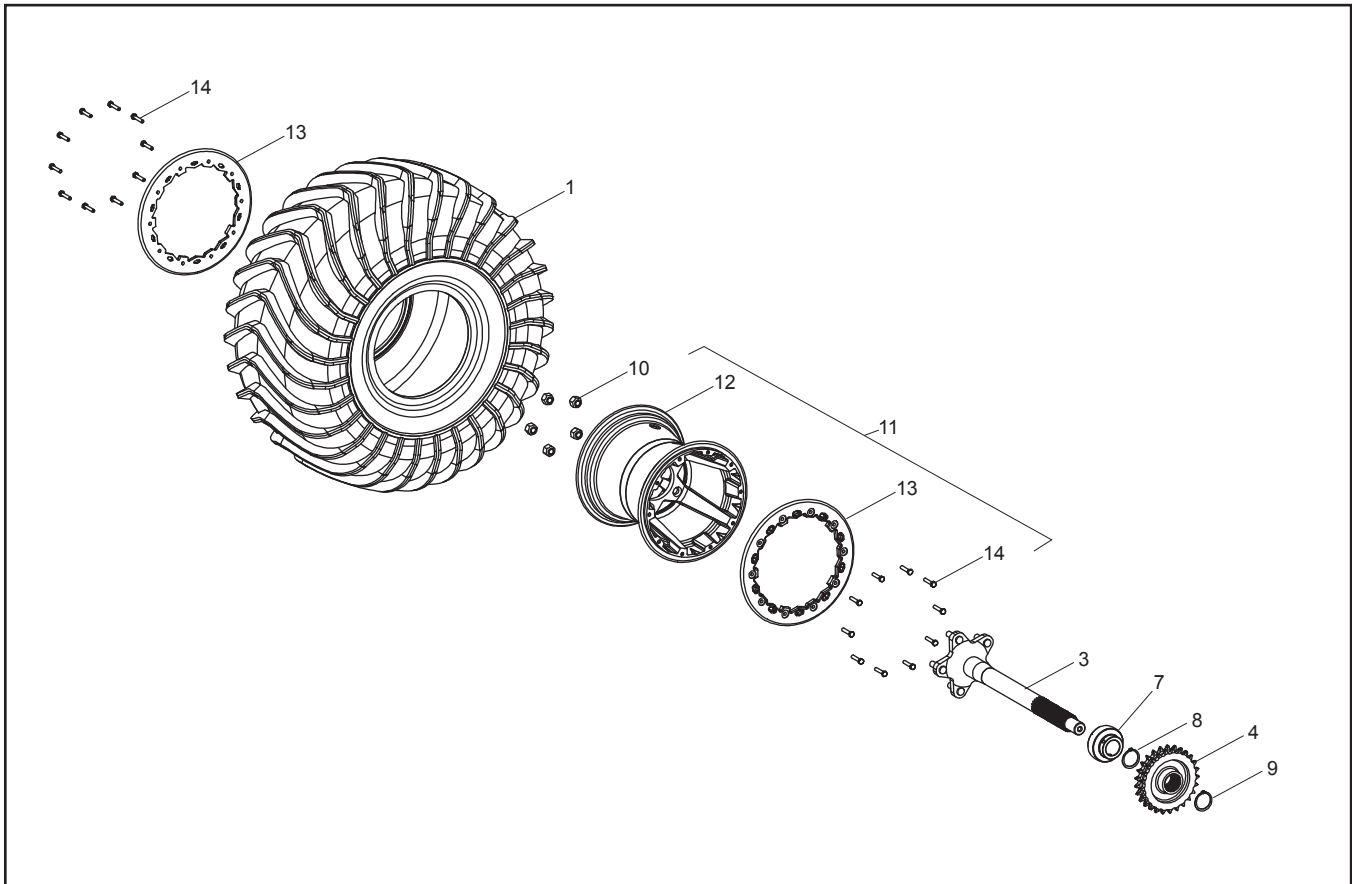


Ref.	Qty.	Part #	Description	Ref.	Qty.	Part #	Description
1	1	613-90	Outlet, 12 Volt DC	27	2	112-51	Screw, IHWH T/C #10-24 x 5/8
2	4	112-139	#4 Phil Drive Oval Head Screw, Black	29	1	118-52	Fuse, 10A 2 Prong (AT010)
5	2	127-108	Key, Molded	30	2	118-49	Fuse, 15A 2 Prong (AT015)
6	1	127-107	Bezel - Cover, Nut	31	1	118-53	Fuse, 20A 2 Prong (AT020)
7	1	127-106	Nut, Flanged - Plastic	32	9	118-62	Terminal - Fuse, single
8	1	127-105	Switch - Ignition	33	1	118-63	Terminal - Fuse, triple
9	1	613-226	Sensor, Speedo Pickup 1 Pc.	34	1	118-61	Terminal - Fuse, quad
10	1	114-26	Lockwasher, 5/8 Int. Tooth	35	2	118-60	Block - Fuse, 8 position (4 fuse)
12	1	117-87	Nut, M12 x 1.25, Zn	36	1	127-298	Label, Fuse Panel - Argo
13	1	613-124	Insulator, 2 Way w/cap, Red	37	1	118-80	Outlet, 12V & Twin USB (if equip.)
14	1	613-130	Gauge, LCD	38	1	613-231	Wire Harness, USB (if equip.)
16	1	127-55	Cap, Battery Terminal - Red				
17	1	127-54	Battery, Exide 45-60				
	1	613-161	Battery, Optima - Argo (Opt.)				
19	2	613-37	Terminal Strip, Ground				
20	1	613-118	Wire Harness, Kohler 31HP				
21	1	613-46	Insulator, Terminal (2 ga.)				
22	1	613-94	Wire, Positive Battery				
23	1	613-95	Wire, Negative Battery				
24	1	681-00	FOB, Key - Floating				
25	2	127-56	Terminal, Battery Post				



13.0 Bead Lock Wheel Option

HDi SE Parts Manual



Ref.	Qty.	Part #	Description
1	8	127-182	Tire, Argo 25
2	4	810-122	Asm, Axle Forged - FR/RR
3	4	810-123	Asm, Axle Forged - Mid
4	4	805-142	Sprocket, D50x25T-16/32 Int
5	8	805-143	Sprocket, S60x19T-16/32 Int
7	8	101-123	Bearing, Ball -1.375 x 72mm
8	8	106-15	Retaining Ring SH-0137-PA
9	4	106-34	Retaining Ring, E-Style 1.375"
10	40	117-117	Nut, Wheel 7/16-20 Chrome
11	8	127-250	Rim Asy - Dual Bead Lock Alum (incl. Ref. 12-14)
12	1	127-251	Rim, Offset Dual Bead Lock
13	1	127-252RM	Rim Ring - Dual Bead Lock Clamping
14	20	112-218	HHCS Washer HD M6x1,0x30mm Zn

ARGO Products Manufactured by:

Ontario Drive & Gear Limited

220 Bergey Court

New Hamburg, Ontario

Canada N3A 2J5

Phone: (519) 662-2840

Fax: (519) 662-2421

www.argoatv.com

ODG *Dedicated to quality and performance*