

**Argo 8x8**  
*SPECIAL EDITION* **750HDi**



**Argo 8x8**  
*SPECIAL EDITION* **750HDi**

# PARTS MANUAL

From Serial # ...32501

# Foreword

ODG has prepared this parts manual for the HDi model to assist both qualified mechanics and vehicle owners in ordering correct, quality replacement ARGO parts. For the most current parts manual visit our website at [www.argoatv.com](http://www.argoatv.com).

Proper and regular service, and replacing old, worn or broken parts with the correct ARGO replacement parts, are both essential to prolonging the life of the ARGO. Please refer to this parts manual and/or our website [www.argoatv.com](http://www.argoatv.com) before ordering any replacement part.

All information contained in this HDi Parts Manual is based on the latest product specification available at time of printing. If your HDi differs from the specifications contained in this manual, check our website [www.argoatv.com](http://www.argoatv.com) for the most current information.

ODG reserves the right to alter specifications on the HDi model at any time, without obligation or prior notification.

Reproduction of this HDi Parts Manual, in whole or in part, is prohibited without prior written permission from Ontario Drive & Gear Limited.

## Vehicle Identification

**HDi SE** - Serial Nos. ...32501

## Explanation of Parts Manual Format

<b>Ref</b>	- Reference number between assembly diagram and component parts list
<b>Part No.</b>	- Argo replacement part number for identification and re-ordering
<b>Description</b>	- Part description for identification and re-ordering
<b>Qty</b>	- Indicates the quantity of a part used in an assembly

# Argo 8x8

SPECIAL EDITION 750 HDi



## Using the Parts Manual

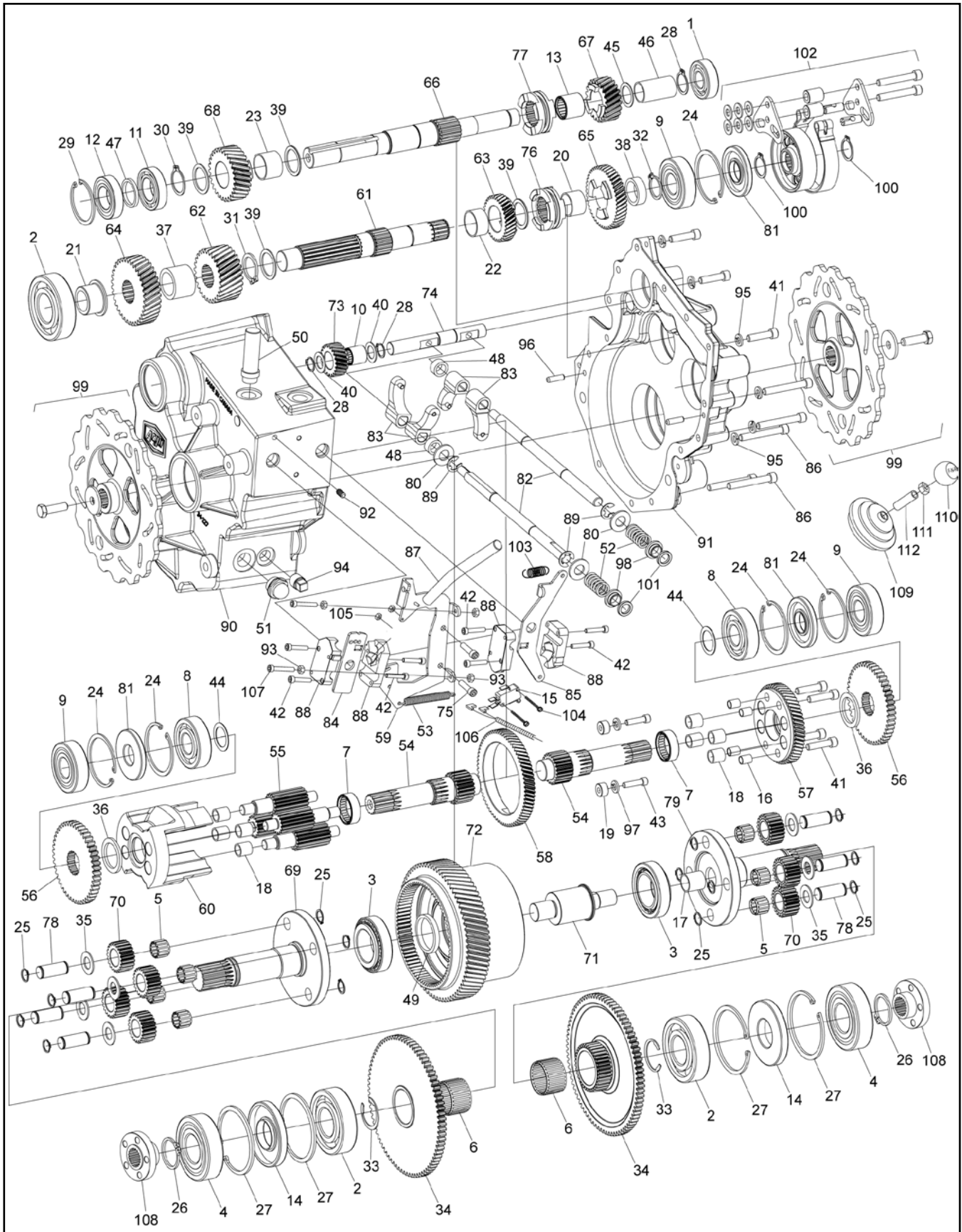
1. Find the major vehicle assembly in the Table of Contents on this page, and turn to that section.
2. Locate the part in the illustration that you wish to order.
3. Refer to the parts list in that section.
4. Find the correct part number (Part No.), part description (Description) and correct quantity (Qty).
5. Use *only* this information to order ARGO replacement parts. **DO NOT** attempt to order a replacement part by reference number or page number.

## Table of Contents

Foreword .....	i
Vehicle Identification.....	i
Using the Parts Manual .....	ii
1.0 Transmission .....	1
2.0 Intake and Exhaust System .....	3
3.0 Clutch System .....	5
4.0 Power Pack Assembly.....	7
5.0 Steering & Brake System .....	9
6.0 Parking Brake.....	11
7.0 Vehicle Body & Firewall.....	13
8.0 Frame & Drive System .....	15
9.0 Fuel System & Seat Assembly .....	17
10.0 Brushguard.....	19
11.0 Electrical System.....	21

# 1.0 Transmission

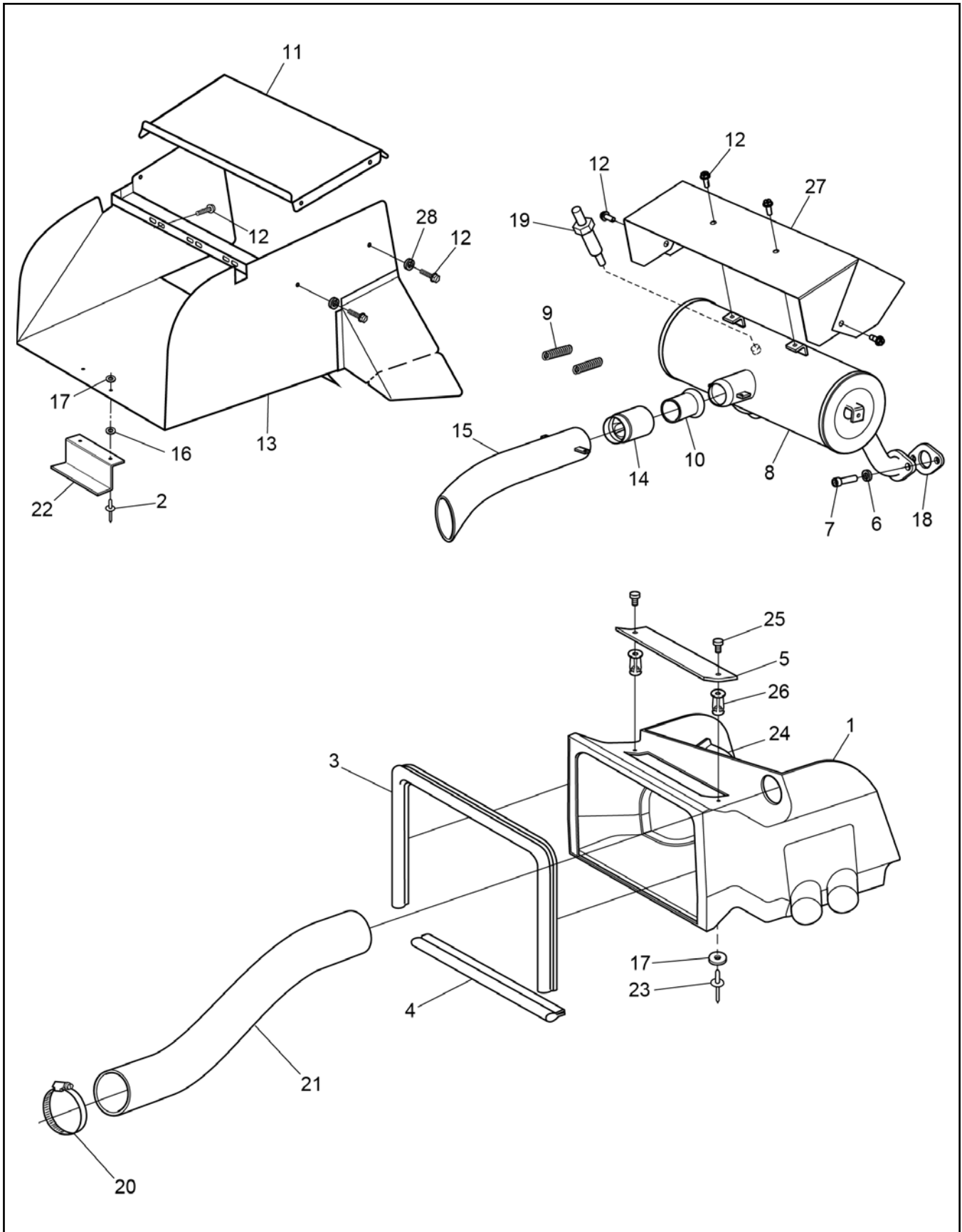
# HDi SE Parts Manual



# HDI SE Parts Manual

# 1.0 Transmission

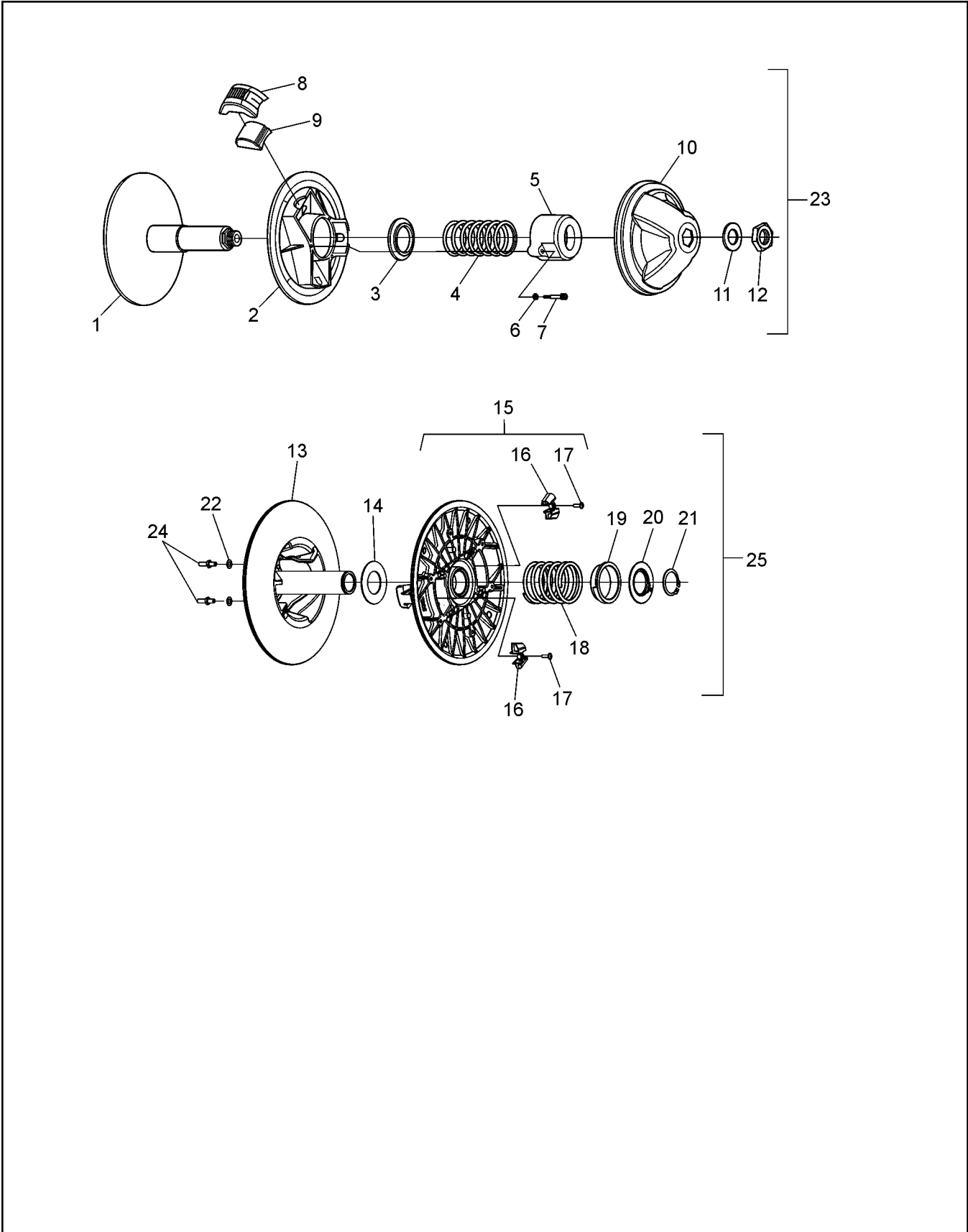
Ref.	Qty.	Part #	Description	Ref.	Qty.	Part #	Description
	1	34-200-6.4	Transmission Admiral 6.4 Ratio	59	1	34-241	Bracket, Switch, Spring Mount
	1	34-200-8.4	Transmission Admiral 8.4 Ratio	60	1	34-206	Cage, Differential
1	1	101-01	Bearing, Ball 6204Z-C3	61	1	34-208	Shaft, Idler
2	3	101-73	Bearing, Ball 6307 CL.N.	62	1	34-209	Pinion, Helical - 27T
3	2	101-76	Bearing, Tapered Roller 32008X	63	1	34-210	Pinion, Helical - 31T
4	2	101-81	Bearing, Ball 6307 ZZE	64	1	34-246	Gear, Helical - 33T- 6.4 Ratio
5	8	101-82	Bearing, Needle K15x21x17		1	34-248	Gear, Helical - 37T- 8.4 Ratio
6	2	101-83	Bearing, Needle KJ37x42x27S	65	1	34-212	Pinion, Helical - 45T
7	2	101-84	Bearing, Needle HK3012	66	1	34-213	Shaft, Input
8	2	101-40	Bearing, Ball 6305 Open	67	1	34-214	Pinion, Reverse - 21T,12Dp
9	3	101-86	Bearing, Ball 6305 Zz	68	1	34-247	Pinion, For.-29T,12Dp-6.4 Ra.
10	1	101-87	Bearing, Needle HMK20x27x25		1	34-249	Pinion, For.-25T,12Dp-8.4 Ra.
11	1	101-88	Bearing, Ball 60/28	69	1	34-216	Shaft, Output
12	1	101-89	Bearing, Ball 60/28 Llu	70	8	34-217	Gear, Planet - 21T
13	1	101-90	Bearing, Needle HK2220	71	1	34-218	Shaft, Planetary Stub
14	2	102-33	Seal, Oil 35x80x10	72	1	34-219	Planetary Hub
15	1	613-151	Switch, Micro, Roller Lever	73	1	34-220	Pinion, Idler - 20T
16	4	105-23	Bushing, Dowel - .312 x .5	74	1	34-221	Shaft, Shift - Reverse
17	1	105-26	Bushing, Oilite .75x.875x.875	75	2	112-47	SHCS 1/4-20 x 1.0 Zn
18	8	105-27	Bushing, Oilite .5x.625x.625	76	1	34-223	Collar, Shift, Hi-Low
19	2	105-28	Bushing, Dowel .26x.625x.36	77	1	34-224	Collar, Shift, For-Rev
20	1	105-29	Bushing, Oilite 1.0x1.125x.75	78	8	34-225	Pin, Planet Carrier
21	1	105-30	Bushing, Flanged 1x1.375	79	1	34-226	Shaft, Output, Right
22	1	105-31	Bushing, Bronze 1.125x1.25x.625	80	3	108-35	Washer .53x1.06x.09 Zn
23	1	105-32	Bushing, Bronze 1.125x1.25x.875	81	3	102-37	Seal, Oil 25x62x7
24	5	106-05	Retaining Ring HO-244-PA	82	2	34-231	Shaft, Shift - F-N-R
25	16	106-22	Retaining Ring SH-0056-PA	83	4	34-232	Fork, Shift - Half
26	2	106-23	Retaining Ring SH-0137-PA	84	1	34-233	Plate, Detent
27	4	106-24	Retaining Ring H0-312-PA	85	1	34-242	Bracket, Spring Mount
28	3	106-25	Retaining Ring SH-0078-PA	86	8	112-18	SHCS 5/16x2.25
29	1	106-26	Retaining Ring H0-206-PA	87	1	34-235	Lever, Shaft - F-N-R
30	1	106-27	Retaining Ring SH-112-PA	88	4	34-236	Clamp, Lever Shaft
31	1	106-28	Retaining Ring SHR-0112-PA	89	3	106-30	Retaining Ring E-0050 E
32	1	107-15	Retaining Ring SHR-98-PA	90	1	34-227	Housing, Admiral, Left (includes Ref. # 92)
33	2	106-31	Retaining Ring C-0137				Housing, Admiral, Right
34	2	34-207	Gear, Sun - 81T, 35T	91	1	34-228	Housing, Admiral, Right
35	8	108-93	Washer, .59x1.10x.06	92	1	34-258	Plunger, Ball - Nose Spring
36	2	108-94	Washer, Thrust 1.25x1.688x.125	93	4	117-92	Nut, Hex Machine #8-32 Zn
37	1	108-96	Spacer, 1.125x1.5x1.083	94	1	103-02	Plug, Magnetic 3/8-18Npt Sq.Hd
38	1	108-97	Spacer, 1.01x1.3x.409				Lockwasher 5/16 Split-Ring Zn
39	4	108-98	Washer, Thrust 1.13x1.46x.062	95	11	108-05	Pin, Dowel 1/4x7/8
40	2	108-99	Washer, Thrust .79x1.25 x .06				Lockwasher 1/4 Split Ring Zn
41	10	112-143	SHCS 5/16 x 1.25 Zn	96	2	104-03	Bushing, Flange
42	8	112-184	SHCS, 10-32 x 1	97	2	108-03	<b>See Section 4.0 Power Pack</b>
43	2	103-69	SHCS, 1/4-20 x 1.5 Zn	98	2	105-33	Retaining Ring SH-0093-PA
44	2	114-16	Washer, SHIM .99x1.375x.030	99			Seal, Shift Shaft - 0.5x.75x.125
45	1	114-17	Washer, Thrust .866x1.181x.039	100	2	106-29	<b>See Section 6.0 Parking Brake</b>
46	1	114-18	Spacer, .865x1.0x1.75	101	2	102-36	Spring, Ext., .75 x 2.73
47	1	114-19	Spacer, 1.12x1.375x.148				SHCS 5-40 x 3/4 Zn
48	2	114-21	Spacer, .51x.75x.36				Locknut, #5-40 Zn
49	1	114-22	Spacer, 1.585x1.75x.245	102			Wire Harness, Neutral Start
50	1	34-245	Plug, Fill/Vent 1/2 BSP	103	1	127-195	SHCS 8-32 x 1.5 Stainless
51	1	34-251	Site Glass, 1/2 BSP Aluminum	104	2	112-172	Coupler, Output Shaft, Press Fit
52	2	127-186	Spring, Comp. 0.70x1.28	105	2	112-173	Boot, F-N-R Shifter
53	1	127-194	Spring, Ext .360x3.0	106	1	613-112	Knob, 1.58" Dia. x 1/2-13
54	2	34-201	Shaft, Brake	107	2	112-195	
55	4	34-202	Gear, Planet - 15T	108	2	34-257	
56	2	34-203	Pinion, Spur - 46T				
57	1	34-204	Gear, Helical - 55T	109	1	609-44	
58	1	34-205	Gear, Helical - 67T	110	1	127-189	



Ref.	Qty.	Part #	Description
1	1	809-03	Duct, Intake
2	2	120-13	Rivet, 3/16 x 3/4 - Black
3	2	809-166-35	Seal, 35" Long
4	2	809-06	Seal, Radiator - 16.25" LG
5	1	601-111	Cover Plate, Intake Duct
6	4	108-05	Lockwasher 5/16 Split Ring Zn
7	4	112-30	SHCS M8 x 1,25 x 20mm Zn
8	1	607-121	Muffler Ass'y, EFI
8a	1	607-119	Muffler Ass'y
9	2	127-187	Spring, Extension - 17/32 x 3.75
10	1	607-135	Tube, Muffler, Flared x 2.0
11	1	607-190	Shield, Duct Exhaust Upper
12	11	112-19	Screw, IHWH T/C Slot 1/4-20 x 1/2
13	1	607-167	Duct, Exhaust, Avenger
14	1	607-171	Spark Arrestor, ODG
15	1	607-134	Pipe, Tail - Ass'y
16	2	125-58	Washer, Fibre - W-77F
17	12	120-04	Washer, .19 x .50 x .08 Zn
18	2	24 041 49	Gasket, Exhaust Manifold
19	1		<b>See Section 4.0 Power Pack Assembly</b>
20	1	100-128	Clamp, Gear 2.25"
21	1	848-194	Hose, Intake Flex 2" Dia. x 24"
22	1	607-170	Support, Exhaust Duct - Avenger
23	13	120-09	Rivet, 3/16 x 1.0 Black
24	1	809-04	Shroud, Intake Duct
25	2	117-89	Thumbscrew, 1/4-20 x 1, Nylon
26	2	117-53	Nut, Jack 1/4-20 8L-Jns Zn
27	1	607-123	Shield, Muffler Heat
28	4	108-03	Lockwasher 1/4 Split Ring Zn

# 3.0 Clutch System

# HDi SE Parts Manual

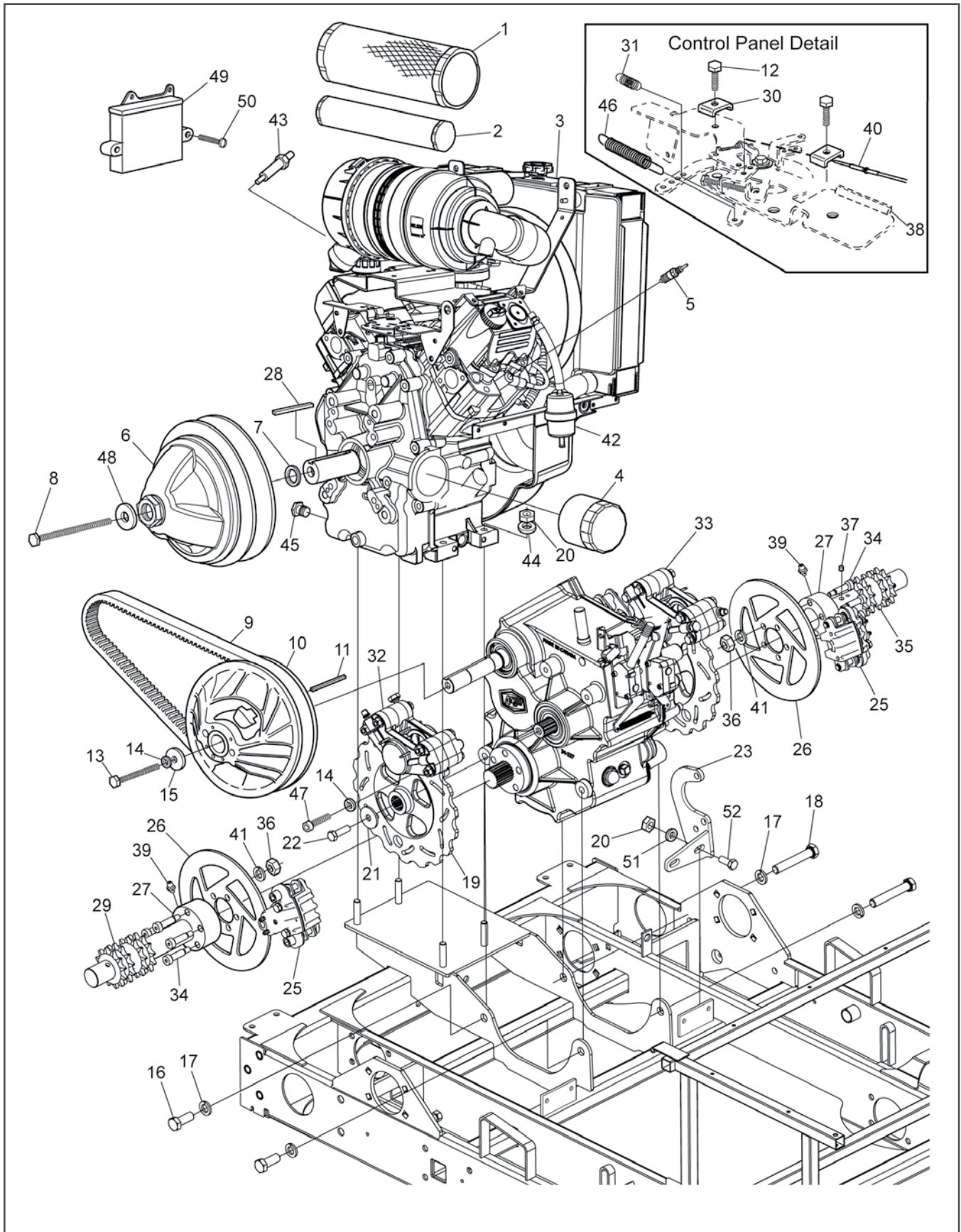




Ref.	Qty.	Part #	Description
1	1	0405-0075	Flange, Fixed
2	1	0410-0026	Flange, Sliding
3	1	0150-1014	Spring Guide Washer
4	1	0451-1114	Spring
5	1	0440-0005	Spring Cover
6	3	0080-0167	Lockwasher
7	3	0080-0021	Screw, Cap
8	3	0130-3012	Block
9	3	0135-3062	Weight (240gr)
	1	127-208	Weight Set (3), 185g - High Elevation
	1	127-209	Weight Set (3), 220g - High Elevation
	1	127-210	Weight Set (3), 240g - High Elevation
10	1	0115-0047	Cap
11	1	0080-0153	Washer, Zn
12	1	0080-0100	Nut
13	1	5905-0003	Flange, Fixed
14	1	0080-0164	Washer, Shim
15	1	5910-0002	Flange, Sliding
16	3	5930-3001	Cam Shoe
17	2	0080-0031	Screw
18	1	5951-1009	Spring
19	1	5950-3003	Spring Protector
20	1	5950-3002	Spring Support
21	1	0080-0216	Retaining Ring, Outside
22	2	0080-0167	Lockwasher
23	1	127-157	Clutch, Driver - EFI Models
24	2	0080-0035	Screw & Nut Ass'y
25	1	127-156	Clutch, Driven - INVANCE

# 4.0 Power Pack Assembly

# HDi SE Parts Manual



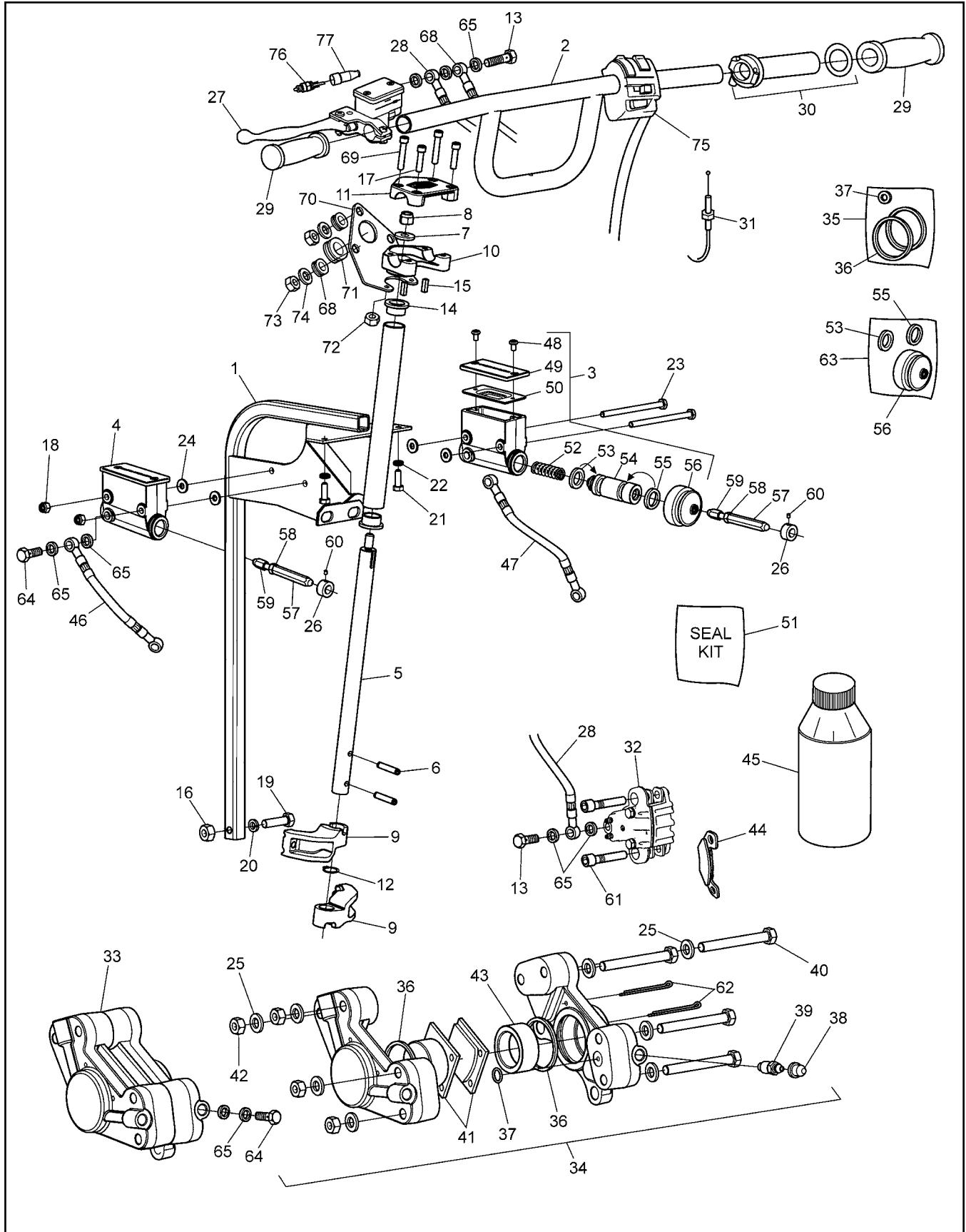
# HDI SE Parts Manual

# 4.0 Power Pack Assembly

Ref.	Qty.	Part #	Description	Ref.	Qty.	Part #	Description
1	1	25 083 01	Filter, Air	33			<b>See Section 5.0 Steering &amp; Brake System</b>
2	1	25 083 04	Element, Inner				
3	1	LH775-3012	Kohler 31 HP Engine, EFI				
4	1	12 050 01	Filter, Oil	34	10	112-201	Bolt, Shoulder M10 x 45
5		127-193	Sparkplug, RC14YC	35	1	810-115	Shaft, Idler Spline, Short 11T
6			<b>See Section 3.0 Clutch System</b>	36	10	117-77	Locknut, Nylon - M8 x 1,25mm Zn8
7	1	108-84	Washer, Engine Clutch	37	1	613-127	Magnet, Speedometer
8	1	112-160	HHCS, 7/16-20 x 4.50" Lg	38	1	607-172	Sleeve, Thermo Protect 1/2" ID
9	1	127-137	Drive Belt - 10.5" Cen. Dist	39	2	100-127	Fitting, Grease STR 1/4-28 TPR (From S.N. 31096)
	1	127-137HD	Drive Belt - Avg/HDi Heavy Duty (Opt.)	40	1	612-116	Cable Asm., Throttle
10			<b>See Section 3.0 Clutch System</b>	41	10	108-05	Lockwasher 5/16 Split-Ring Zn
11	1	110-03	Key 1/4 x 3/16 x 2.375 RC46	42	1	125-64	Filter, Fuel
12	1	M-545016	Screw, Clamp Cable (Kohler #)	43	1	24 418 05	Sensor, Oxygen
13	1	112-164	HHCS 3/8-16 x 3.5 Gr5 Zn	44	4	108-26	Washer, .43 x 1.02 x .09 Zn
14	6	108-06	Lockwasher 3/8 Split Ring Zn	45		112-156	Plug, Oil Drain 3/8-18 NPT Hex
15	1	108-46	Washer .40 x 1.37 x 1.2 Hi-Carbon	46	1	24 089 46	Spring, Governer (Kohler #)
16	2	112-189	HHCS 1/2-13 x 1.25 Gr5 Zn	47	4	103-41	SHCS 3/8-16x1.25 Zn
17	4	108-07	Lockwasher 1/2 Split Ring Zn	48	1	108-58	Washer, .47 x 1.37 x 12 Hi-Carbon
18	2	112-190	HHCS 1/2-13 x 3.0 Gr5 Zn	49	1	66 584 05	ECU (c/w engine)
19	2	165-22	Disc, Brake - Admiral	50	2	112-161	PHMS, 10-24 x 2.5
20	8	117-29	Locknut, Nylon 3/8-16 Zn	51	4	108-47	Washer .39x.94x.13 Zn
21	2	108-18	Washer .40 x 1.37 x .12 Zn	52	4	112-31	HHCS 3/8-16x1.0 2B Gr8 Zn
22	2	103-60	HHCS 3/8-24 x 1 Gr5 Zn				
23	1	165-41RH	Asm, Caliper Mnt - RH				
24	1	165-41RH	Asm, Caliper Mnt - LH (not shown)				
25			<b>See Section 5.0 Steering &amp; Brake System</b>				
26	2	165-25	Disc, Brake, Service				
28	1	110-18	Key 1/4 x 1/4 x 1.75				
29	1	810-116	Shaft, Idler, Spline, Long 11T				
30	1	12 237 01	Clamp, Cable (Kohler #)				
31	1	24 089 51	Spring, Throttle (Kohler #)				
32			<b>See Section 5.0 Steering &amp; Brake System</b>				

# 5.0 Steering & Brake System

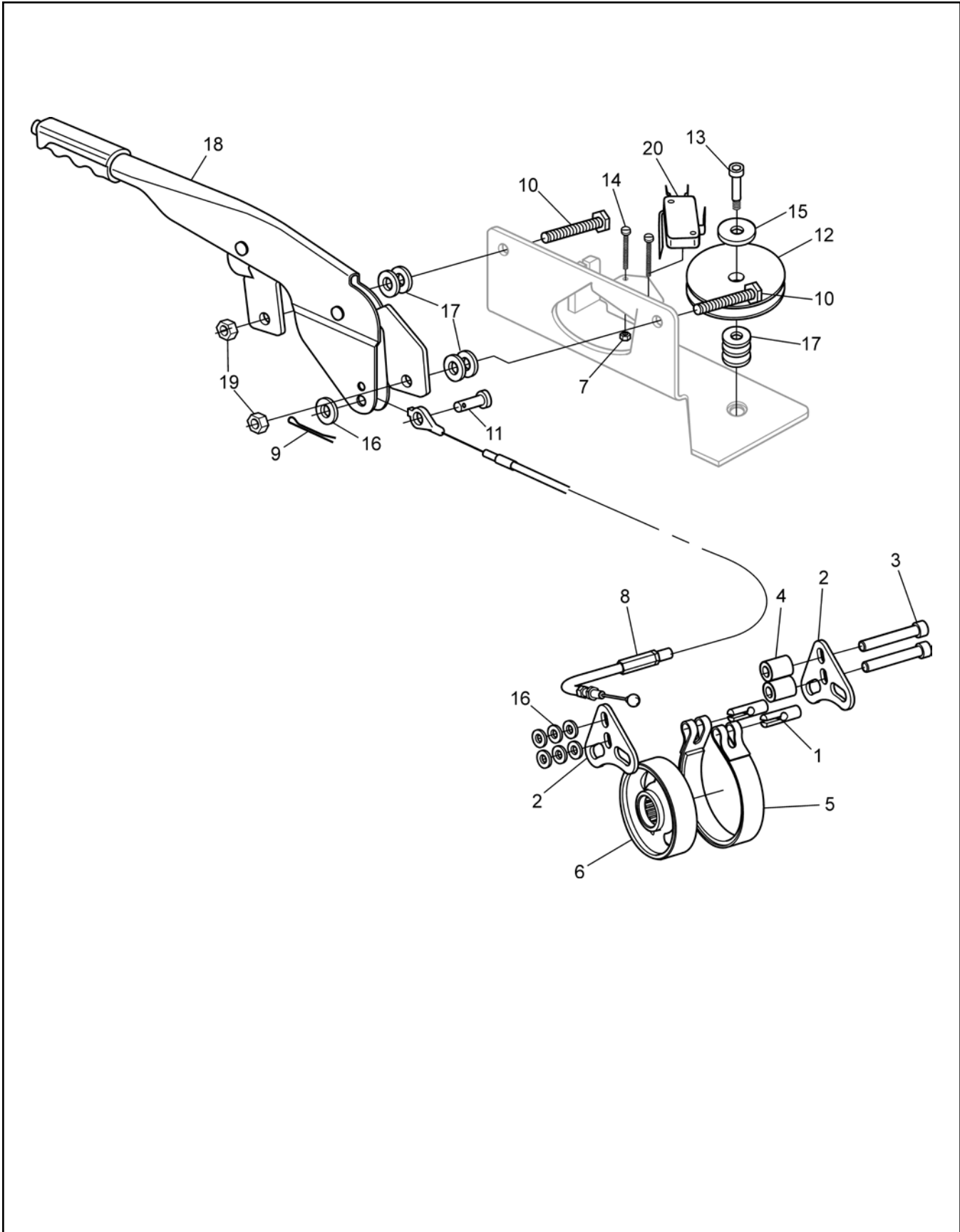
# HDi SE Parts Manual



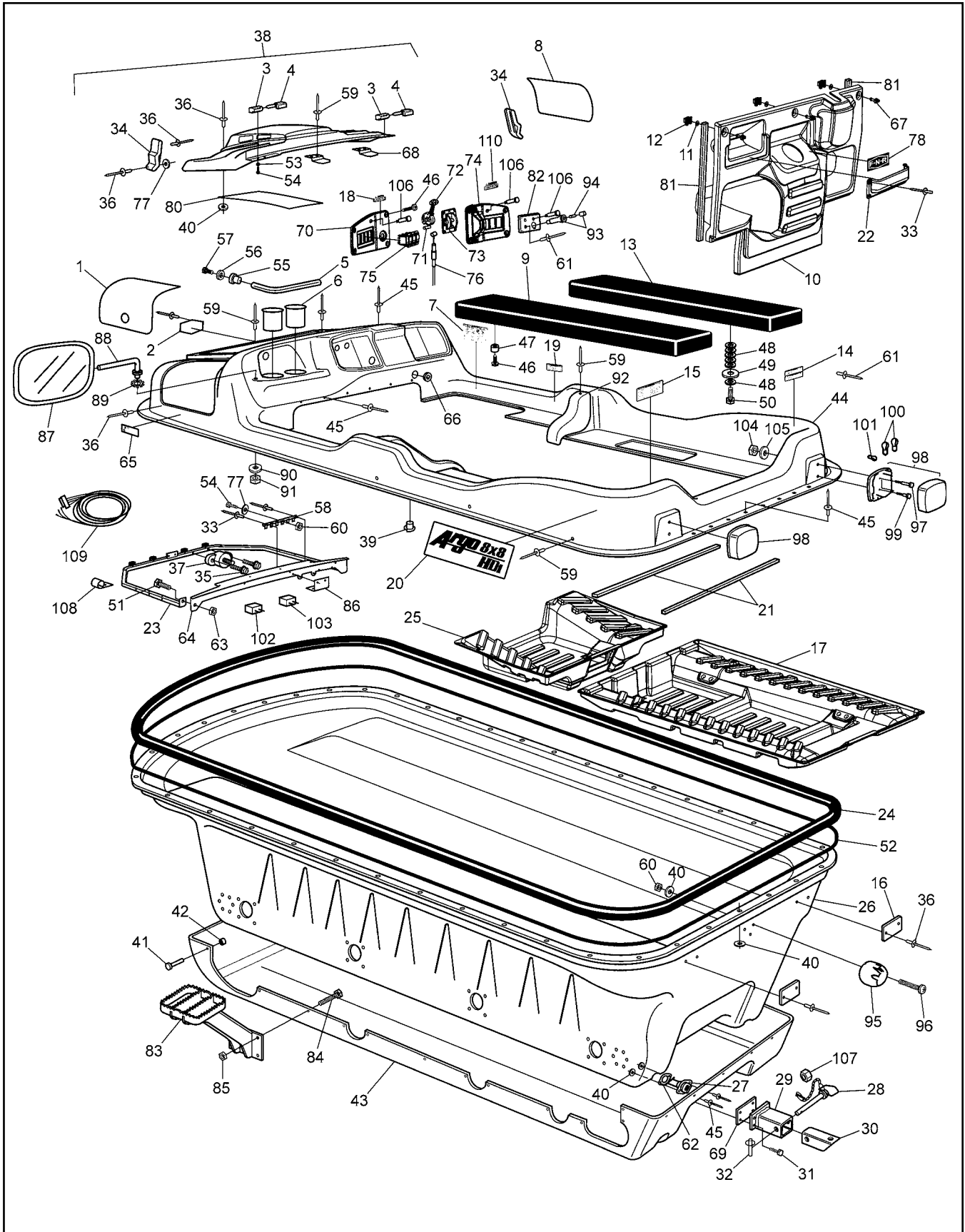
Ref.	Qty.	Part #	Description	Ref.	Qty.	Part #	Description
1	1	612-133	Frame Ass'y- Steering Column HDi	45		126-19	Fluid, Brake-Silicon Dot 5 - .35L
2	1	612-107	Handlebar Assembly	46	1	163-05	Hose Asm, Hydraulic - Left
3	1	165-08	Master Cylinder, Grimeca - R	47	1	163-06	Hose Asm, Hydraulic - Right - SS
4	1	165-07	Master Cylinder, Grimeca - L	48	2x2	160-42	Screw, FHMS M5 x 0,8 x 6mm
5	1	612-128	Shaft, Steering - Avenger	49	2x1	168-08	Cover
6	2	104-42	Pin, Spring 1/4 x 1.5"	50	2x1	168-09	Cover, Rubber
7	1	108-47	Washer, .39 x .94 x .13 Zn Di-chr	51	1	165-37	Piston Seal Kit - Wilwood
8	1	117-29	Locknut, Nylon 3/8-16 Zn	52	2x1	162-08	Spring, Comp. 17.3 x 49.3mm
9	2	612-124	Arm, Steering	53	2x1		Seal, Primary, 19mm (See Ref. 63)
10	1	612-106	Clamp, Lower Handlebar	54	2x1	168-10	Piston 19mm dia.
11	1	612-105	Clamp, Upper Handlebar	55	2x1		Seal, Secondary, 19mm (See Ref. 63)
12	1	106-07	Ring, Retaining SH-0075PA	56	2x1		Boot, Rubber (See Ref. 63)
13	2	112-194	Bolt, Banjo, M10x1.0, Double	57	2	812-30	Pin, Female
14	2	105-16	Bushing, Oilite - 3/4 x 1/2	58	2	117-03	Nut, Fin Hex 1/4-20 Zn
15	2	110-17	Key, 3/16 x 3/16 x .625	59	2	812-31	Fin, Male
16	1	117-21	Locknut, Nylon 5/16-18 Zn	60	2	112-02	SHSS 10-24x1/4 Knurl Cup PT, PL
17	2	112-47	SHCS, 1/4-20 x 1.0 Zn	61	4	165-38	Caliper Pin, Service Brake HDi
18	2	117-27	Locknut, Nylon 1/4-20 Zn	62	2x2	168-07	Pin, Cotter 1/8 x 3.00 Zn
19	1	112-155	C/Bolt 5/16-18x1.25 Gr2 Zn	63	2x1	161-25	O-Ring Kit - Master Cylinder - Grimeca (incl. Ref. 53, 55 & 56)
20	1	108-24	Washer, .34 x .70 x .06 Zn	64	4	160-44	Bolt, Banjo - M10 x 1,0 x 21,0
21	2	112-04	HHCS 1/4-20 x 3/4 Gr2 Zn	65	13	160-01	Washer, Copper - 1,5 x 10,0 x 14,0
22	2	108-03	Lockwasher 1/4 Split Ring Zn	68	1	165-43	Brake Line, Driver Side
23	2	103-66	HHCS, 1/4-20 x 4.0 Gr5 Zn	69	2	103-69	SHCS 1/4-20 x 1.5 Zn
24	4	108-08	Washer, .28 x .62 x .04 Zn	70	1	612-132	Bracket, LCD Gauge - Painted
25	2x8	108-24	Washer, .34 x .70 x .06 Zn	71	1	128-27	Grommet 1-1/4ID x 1-1/2x3/32
26	2	812-17	Collar	72	2	117-86	Nut, Acorn, 1/4-20 Zn
27	1	165-31	Handbrake, Left Hydraulic	73	3	117-85	Nut, Acorn, M5 Zn
28	1	165-42	Brake Line, Passenger Side	74	3	120-04	Washer .19 x .50 x.08 Zn
29	2	127-35	Grip, Molded	75	1	613-173	Hand Control Switch,EU
30	1	127-81	Throttle Twist Grip	76	1	118-66	Switch, Brake Light
31	1	612-116	Cable Asm., Throttle	77	1	118-67	Boot, Brake Light Switch
32	2	165-32	Caliper, Service (does not include Ref. #61)				
33	1	166-10	Caliper, Hydraulic Brake - L w/o pads				
34	1	166-11	Caliper, Hydraulic Brake - R w/o pads				
35	2	161-05	O-ring Kit, Knott Caliper				
36	4		Seal, Piston				
37	2		Seal, Rubber				
38	2x1	168-20	Plug, Rubber				
39	2x1	168-02	Screw, Bleeding, Knott Caliper				
40	2x4	103-55	HHCS, 5/16-18 x 2.75 Gr5 Zn				
41	1	170-03	Pad Set (4), Brake - Non-Asbestos				
42	2x4	117-03	Nut, Fin Hex 5/16-18 Zn				
43	2x2	168-01	Piston, Knott Caliper				
44	1	165-36	Brake Pad (4) Replacement - Kit				

# 6.0 Parking Brake

# HDi SE Parts Manual



Ref.	Qty.	Part #	Description
1	3	104-57	Pin, Slotted .375 x 1.25
2	2	165-27	Bracket, E-Brake
3	2	112-185	SHCS 5/16 x 2.0 Zn
4	2	114-23	Spacer, .34 x .63 x .80
5	1	165-28	Band, Brake
6	1	34-243	Drum, E-Brake
7	2	112-173	Locknut, #5-40, Zn
8	1	165-33	Cable, Parking Brake - HDi
9	1	100-100	Pin, Cotter 1/8x3/4 Zn
10	2	103-06	HHCS 5/16-18x1.0 Gr5 Zn
11	1	104-27	Pin, Clevis 5/16x.75" Zn
12	1	850-79	Pulley, Parking Brake Cable
13	1	112-178	Bolt, Shoulder, 1/2 x 5/8
14	2	112-172	SHCS 5-40 x 3/4 Zn
15	1	108-35	Washer .53 x 1.06 x .09 Zn
16	6	108-24	Washer .34x.70x.06 Zn
17	7	108-47	Washer .39x.94x.13 Zn Di-Chro
18	1	809-147	Lever, Parking Brake
19	6	117-21	Locknut, Nylon 5/16-18 Zn
20	1	613-120	Switch, Micro, Lever





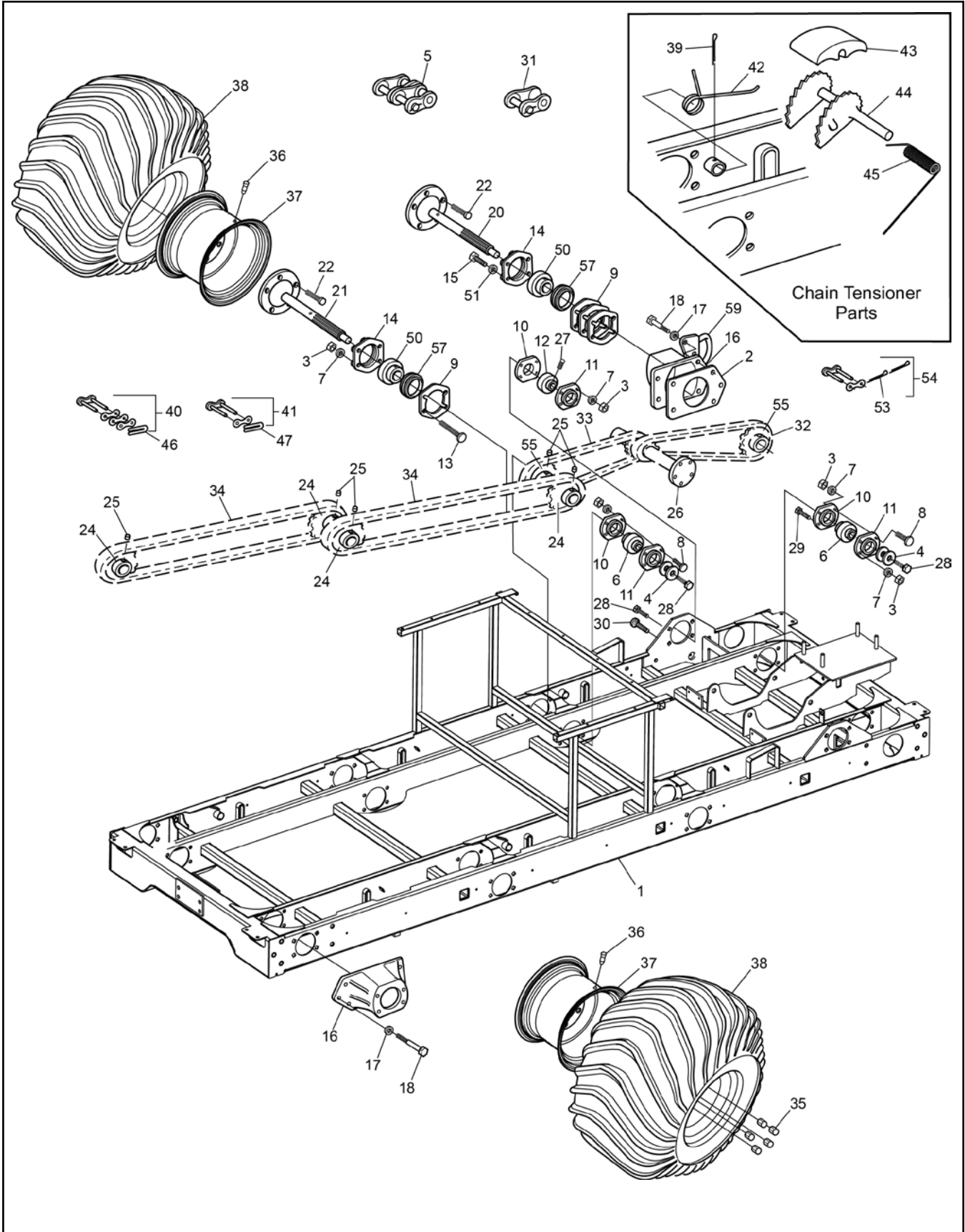
# HDI SE Parts Manual

# 7.0 Vehicle Body & Firewall

Ref.	Qty.	Part #	Description	Ref.	Qty.	Part #	Description
1	1	707-43	Screen - Exhaust	57	1	112-151	HHCS 1/2-13 x 1" Gr2 Zn
2	1	601-44	Nameplate, "Argo"	58	1	613-37	Terminal Strip, Ground
3	2	127-45B	Knuckle, Hinge	59	19	120-13	Rivet, 3/16 x 3/4 Black
4	2	127-45A	Pin, Hinge	60	4	117-10	Locknut, 10-24 N/I Zn
5	1	601-101BL	Tube, Dash Handle	61	44	120-24	Rivet, 3/32 x 3/8 Alum. (all plates)
6	2	100-109	Cup holder Insert	62	2	100-114	Gasket, Drain Plug
7	1	126-68	Plate, Operation	63	2	117-82	Locknut, Flange 1/4-20 Zn
8	1	707-42	Screen, Intake	64	1	602-51	Frame Ass'y, Hood - Rear
9	1	608-64	Seat, Rear - Left	65	1	127-144	Label, Warning - HOT
10	1	609-42	Firewall, Admiral	66	1	128-26	Grommet, 1-1/2ID x 1-3/4x1/4
11	3	114-24	Retainer, Q-Turn Washer	67	3	112-193	Stud, Q-Turn
12	3	117-91	Receptacle, Q-Turn	68	2	602-52	Clip, Hood
13	1	608-65	Seat, Rear - Right	69	1	616-20	Gasket, Rear Hitch
14	1	126-67	Plate, Floor Pan	70	1	601-113	Panel, Dash - Left, HDi
15	1	127-173	Plate, Vehicle Capacity	71	1	104-66	Pin, HD Shift Cable Threaded
16	2	613-148	Rear Reflector, Hella	72	1	127-212	Pivot, Hi-Lo Shifter
17	1	803-69	Floor Pan, Rear Euro - HDi	73	1	127-211	Bracket, Hi-Lo Shifter
18	1	127-199	Label, Caution - Dash, HDi	74	1	601-118	Panel, Dash - Right, HDi
19	1	126-69	Plate, Fuel	75	1		<b>See Section 11.0 Electrical System</b>
20	2	127-207	Nameplate - HDi SE	76	1	127-223	Cable, Hi-Lo Shift Threaded
21	2	601-09	Trim, Vinyl - 28"	77	6	120-05	Washer .19 x .50 x .04 Zn
22	1	609-43	Glove Box, Firewall, HDi	78	1	127-200	Label, F-N-R - HDi
23	1	602-49	Frame Ass'y, Hood - Front	80	1	602-68	Screen, Hood - 1 Pc Hood/ Scoop
24	1	801-05	Bumper, Vinyl - 8x8	81	2	809-166	Seal, 15" Long
25	1	803-63	Floor Pan, Front - HDi	82	1	601-115	Plate, Indicator - EU
26	1	801-50	Body, Lower	83	1	848-05	Step Ass'y, Entry - Avenger
27	2	100-107	Plug, Drain - Flanged	84	4	103-34	HHCS 3/8-16x1.25 Gr5 Zn
28	1	104-55	Pin with Chain and Lynch Pin	85	4	117-29	Locknut, Nylon 3/8-16 Zn
29	1	616-22	Hitch Assembly, EU	86	1	602-61	Bracket, Flasher Relay Mnt
30	1	616-19	Tube, Hitch	87	2	848-168	Mirror, Side
31	4	103-61	HHCS 3/8-24 x 1.5 Gr5 Zn	88	2	848-169	Support, Side Mirror
32	1	104-11	Pin, Lynch - Ring	89	2	108-55	Lockwasher 7/16 Ext Tooth Zn
33	12	120-15	Rivet - 1/8 x 7/16	90	2	108-18	Washer .40x1.37x.12 Zn
34	2	602-56	Latch, Hood - Soft Draw	91	2	117-60	Locknut, Nyloc M10x1.5mm Zn
35	2	112-51	Screw, IHWH T/C #10-24x5/8	92	2	601-117	EU Cover, Body Side - TPO
36	34	120-11	Rivet 5/32 x 9/16 - Black	93	1	613-163	Switch, Hazard Flasher, No Bulb
37	1	613-123	Post, Power, 5/16-18, Red	94	1	613-164	Bulb, Hazard Flasher
38	1	602-70	Hood Kit (specify colour) (incl. 3, 4, 34, 36, 40, 45, 53, 54, 59, 67, 68, 80)	95	1	613-147	Trailer Connector, Hella
39	2	117-44	T- Nut 1/4-20 Zn	96	3	112-07	RHMS 10-24x1.50 Zn
40	92	120-04	Washer .19 x .50 x .08 Zn	97	2	103-77	HHCS 1/4-28x2.0
41	32	120-27	Pin, Magna Grip	98	2	613-143	Tail Stop Turn - 2 of Part/Box
42	32	120-28	Collar, Magna Grip	99	2	112-121	HHCS 1/4-28x1.25 Gr2 Zn
43	1	801-51	Skid Plate, 8x8 - Black	100	4	613-169	Bulb, EU Tail, Turn Signal
44	1	801-194	Body & Hood, Upper - (specify colour) (incl. 23, 33, 34, 38)	101	2	613-171	Bulb, EU RR Marker
45	115	120-09	Rivet 3/16 x 1 - Black	102	1	613-146	4 Way Flasher Relay, Hella
46	12	103-48	T/S Pan HD PHIL #10 x 5/8	103	1	118-73	Relay, Signal Light, Glow Plug
47	4	126-79	Bumper, Plastic - Black	104	4	117-01	Locknut, Nylon 1/4-28 Zn
48	24	108-25	Washer .31 x .75 x .06 Zn	105	4	108-08	Washer .28x.62x.07 Zn
49	4	603-15	Washer, Plastic 5/16 Hole	106	5	613-145	Dashboard Lights, Hella
50	4	103-08	HHCS 1/4-20 x 1.0 Zn	107	1	112-115	Locknut, Nylon M6x1 Zn
51	2	112-04	HHCS 1/4-20 x 3/4 Gr2 Zn	108	8	127-24	Clamp, Nylon - 1" ID
52	1	126-60	Vinyl Strip, 1/2" x 1/4" x 37.5'	109	1	613-149	Wire Harness, EU Ligh Acc.
53	8	108-59	Lockwasher #10 Int. Tooth Zn	110	1	127-221	Label, Shift Warning
54	9	103-47	HHCS 10-24 x 1/2				
55	1	113-12	Insert, 1/2-13				
56	1	108-35	Washer .53 x 1.06 x .09 Zn				

# 8.0 Frame and Drive System

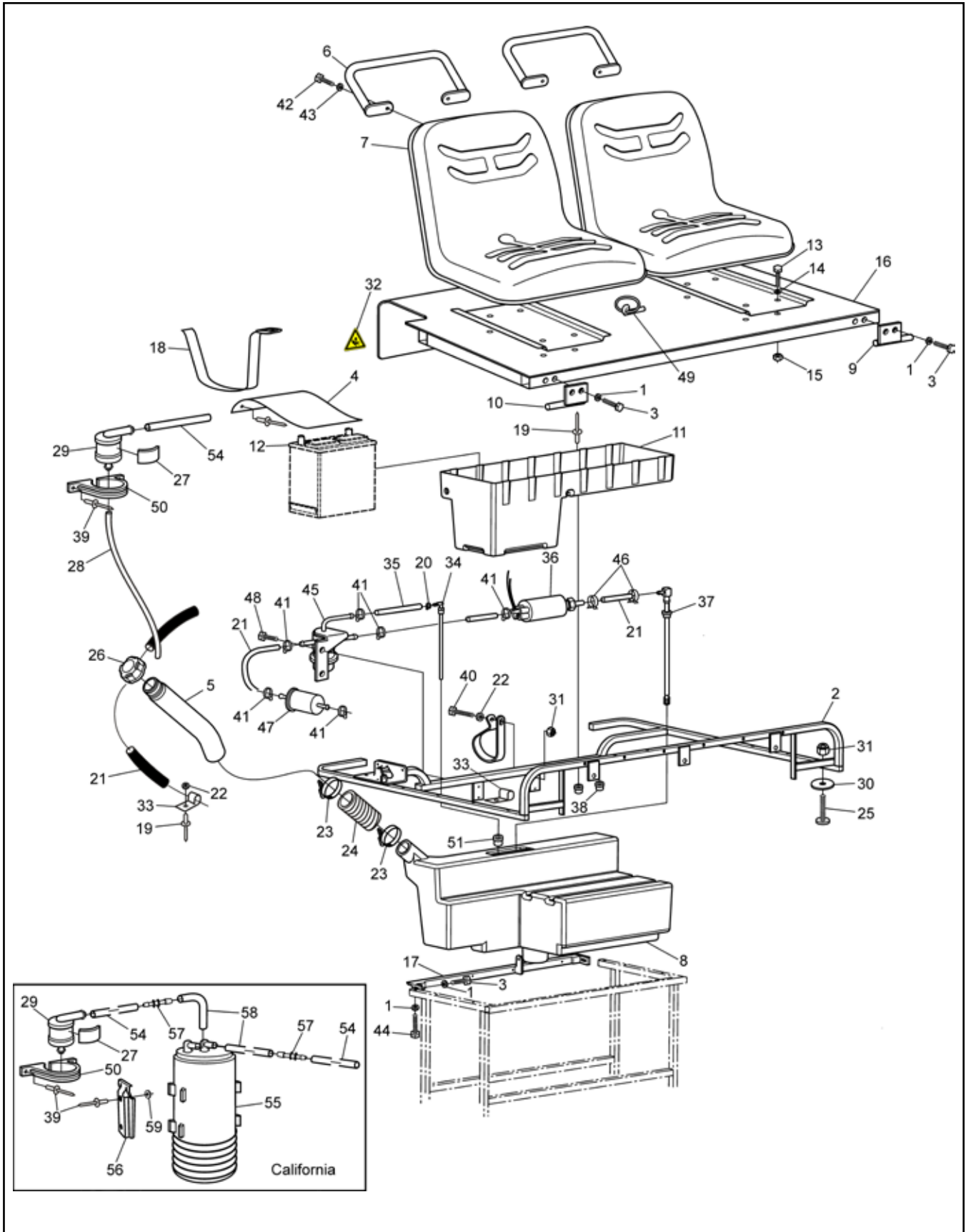
# HDi SE Parts Manual



# HDI SE Parts Manual

# 8.0 Frame and Drive System

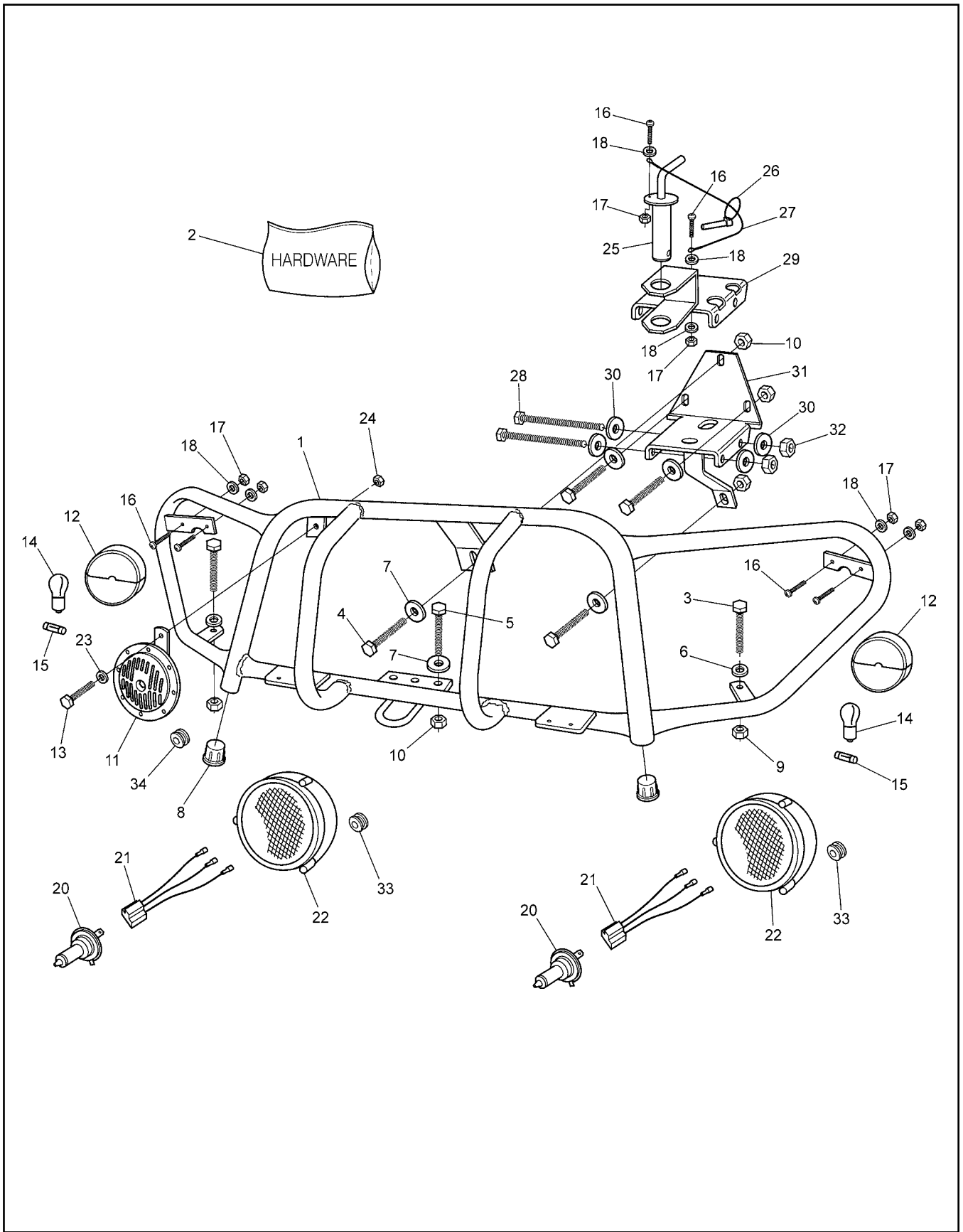
Ref.	Qty.	Part #	Description	Ref.	Qty.	Part #	Description
1	1	804-130	Frame Ass'y, 8x8 HD HR - EU	40	1x4	100-96	Con. Link, RC50-2 H.D.
2	4	606-25	Gasket - Bearing Extension	41	1x4	603-84	Con. Link, RC60-1 H.D.
3	80	117-29	Locknut, Nylon 3/8-16 Zn	42	6	127-65	Spring Torsion - 1.16x0.35
4	16	108-46	Washer .40 x 1.37 x .12 Hi-Carbon	43	6	606-44	Slider Block
5		125-75	Link, Half RC50-2	44	6	606-82	Tensioner Asm, Chain
6	8	101-41	Bearing, Ball - 1.0	45	6	127-64	Spring, Torsion - .76 x 1.9
7	96	108-15	Washer, .42 x .81 x .05 Zn	46	4	603-95	Spring Clip - RC 50 Closed
8	31	103-88	C/Bolt 3/8-16 x 1.0 Gr5 Zn	47	4	603-96	Spring Clip - RC 60 Closed
9	16	606-90	Gasket, Flange - 72mm	48	2	606-93	Flange, Greaseable - 90 Deg. Hd
10	20	606-91	Flange - 4 Hole Hd	50	8	101-95	Bearing, Ball - 1.25 x 72mm
11	10	606-92	Flange, Greasable - 4 Hole Hd	51	16	108-06	Lockwasher 3/8 Split Ring Zn
12	2	101-96	Bearing, Ball - 1.25x1.5 No Grv	53	4	104-35	Pin, Cotter 2mm x 12mm
13	16	112-187	C-Bolt 3/8-16x2.0 Gr5 Zn	54	2	127-188	Link, Con. #60 Lambda
14	8	606-88	Flange Ass'y, Outer Bearing	55	4	810-118	Sprocket, D50 x 25T
15	16	103-68	HHCS 3/8-16 x 2.0 Gr5 Zn	57	8	606-89	Carrier, Axle Bearing
16	4	810-112	Bearing Extension w/nuts	59	2	642-47	Tie Down Bracket
17	20	108-34	Washer .47 x .94 x .06 Zn				
18	20	112-181	HHCS 7/16-20 x 1.75 Gr5 Zn				
20	4	810-92	Axle Asm - Front/Rear HD				
21	4	810-113	Axle Asm - Mid HD				
22	5x4	112-183	Stud, Wheel 7/16-20 x 1.5				
24	8	606-34	Sprocket, S60 x 19T				
25	10	112-03	SHSS 5/16-18 x 3/8 1/2 DOG, PL				
26	1		<b>See Section 4.0 Power Pack Ass'y</b>				
27	4	112-60	SHSS 1/4-28 x 1/2 Cup Pt.				
28	12	112-31	HHCS 3/8-16 x 1.0 2B Gr8 Zn				
29	1	112-163	HHCS 3/8-16 x 2.0 Gr5 Zn				
30	4	112-61	C/Bolt 3/8-16 x 1.25 Gr5 Zn				
31		127-80	Link, Half - RC60 - 1 (opt.)				
32	2	603-19	Chain, RC50-2x44P-Front (incl. Ref. 40)				
33	2	803-65	Chain, RC50-2x80P-Middle (incl. Ref. 40)				
34	4	803-57	Chain, RC60-1 x 90P-Rear (incl. Ref. 41)				
35	5x8	117-35	Nut, Wheel 7/16-20 Zn				
36	8	125-26	Valve, Tire				
37	8	127-61BL	Rim - 10 x 9 - Black				
38	8	127-182	Tire, Argo 25x12-9				
39	6	100-01	Pin, Cotter 1/8 x 1.50 Zn				



Ref.	Qty.	Part #	Description	Ref.	Qty.	Part #	Description
1	8	108-03	Lockwasher 1/4 Split Ring Zn	44	2	103-97	HHCS 1/4-20x1.25 Gr5 Zn
2	1	608-135	Frame Assembly, Seat HDi	45	1	24 403 16	Regulator, Fuel Pressure
3	4	112-04	HHCS 1/4-20x3/4 Gr2 Zn	46	2	112-78	Clamp, Hose, 9/16
4	1	127-205	Cover, Battery - Euro	47	1	24 050 03	Filter, Fuel Line - EFI - c/w engine
5	1	608-140	Fuel, Fill Neck Assembly	48	2	103-47	HHCS, 10-24 x 1/2
6	2	608-115	Handrail, Susp. Seat	49	1	627-03	Quik Pin 0269167
7	2	608-100	Seat, Suspension	50	1	609-50	Clamp, Rollover Valve
8	1	608-122	Tank, Fuel Single Layer	51	1	608-136	Grommet, Fuel Return
	1	608-120	Tank, Fuel Low Permeation (for U.S.)				
9	1	608-112	Hinge, Susp. Seat Left	8	1	608-120	<b>United States Vehicle Kit</b> Tank, Fuel Low Permeation
10	1	608-111	Hinge, Susp. Seat Right		1	127-273	Plate, Serial Blank Double
11	1	608-118	Toolbox, Suspension Seat		1	127-274	Label, U.S EPA EVAP Approval
12	1		<b>See Section 11.0 Electrical System</b>	53	2	120-24	Rivet, Alum - 3/32 x 3/8 Black
13	8	103-08	HHCS 1/4-20x1.0 Zn				
14	8	108-08	Washer .28 x .62 x .07 Zn				
15	8	117-27	Locknut, Nylon 1/4-20 Zn				
16	1	608-105	Frame Ass'y, Susp. Seat Base	8	1	608-120	<b>California Vehicle Kit</b> Tank, Fuel Low Permeation
17	1	806-243	Frame Ass'y, Toolbox Support		1	127-273	Plate, Serial Blank Double
18	1	608-56	Strap, Battery		1	127-274	Label, U.S EPA EVAP Approval
19	17	120-09	Rivet 3/16x1 - Black				
20	4	112-79	Clamp, Hose, 1/2" - Black	39	2	120-13	Rivet - 3/16 x 3/4 Black
21	1	608-69	Hose, Fuel 5/16" ID x 7.5' - Carb	53	4	120-24	Rivet, Alum - 3/32 x 3/8 Black
22	9	120-04	Washer .19 x .50 x .08 Zn		1	127-275	Label, Carb EVAP Approval
23	2	100-12	Clamp, Gear 2.25" HF-36				
24	1	125-94	Hose, Filler	54	1	126-101RM	Hose, Vent 3/16" ID
25	10	112-07	RHMS 10-24 x 1.50 Zn	55	1	609-45	Carbon Canister 800cc
26	1	126-100	Fuel Cap, Tethered	56	1	609-46	Bracket, Carbon Canister
27	1	126-60	Vinyl Strip 1/2" x 1/4"	57	2	609-48	Reducer, Barbed 1/4" to 3/16"
28	6'	127-160RM	Tubing, 1/4 ID Clear Plastic				
29	1	609-47	Valve, Rollover	58	2	127-160-3	Hose, 1/4ID x 3/8OD - 3" Long
30	10	108-42	Washer .21 x 1.0 x .06 Zn				
31	14	117-10	Locknut, Nylon #10-24 Zn	59	2	120-05	Washer .19x.50x.04 Zn
32	2	127-222	Label, Warning - Pinch Point				
33	7	126-93	Clamp, Nylon Wire - 1/2" ID				
34	1	608-138	Return, Fuel Port				
35	1	608-66	Hose, Fuel				
36	1	24 393 52	Fuel Pump, EFI				
37	1	608-127	Pick-up, Fuel, 5/16 105 Mesh				
38	2	117-64	Insert, 1/4-20 Steel Cad Pltg.				
39	4	120-13	Rivet, 3/16 x 3/4 Black				
41	7	100-101	Clamp, Gear 1/2" HF or MH-4				
42	4	112-20	HHCS M8x1,25x25mm Zn				
43	4	108-05	Lockwasher 5/16 Split-Ring Zn				

# 10.0 Brushguard

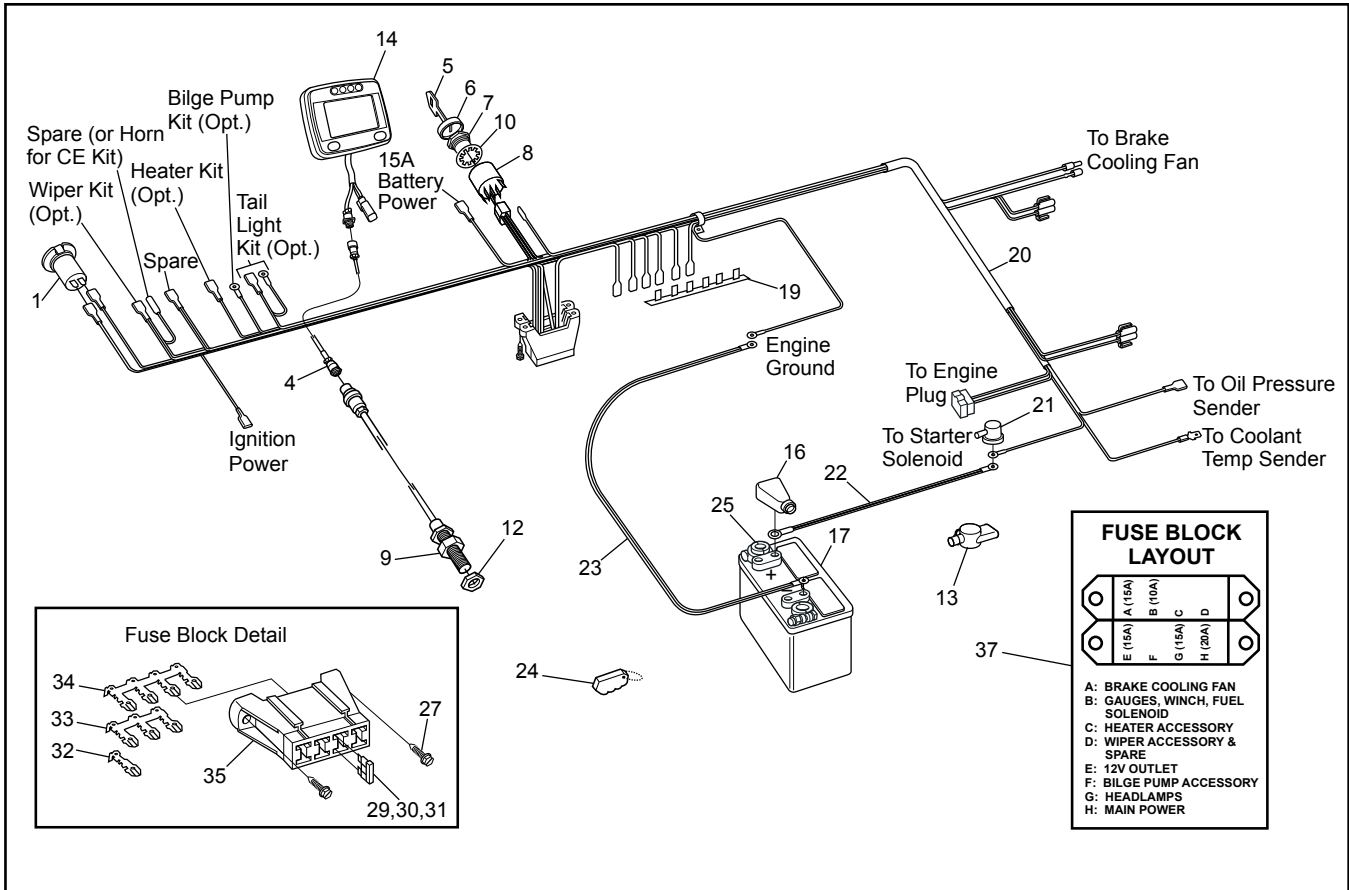
# HDi SE Parts Manual



Ref.	Qty.	Part #	Description
1	1	642-61	Brush Guard, Hella Light Acc.
2	1	<b>642-20HDW</b>	<b>Hardware Kit comprised of:</b>
3	2	103-57	HHCS 5/16-18 x 1.5 Gr5 Zn
4	1	103-76	HHCS 3/8-16 x 1.75 Gr5 Zn
5	3	103-82	HHCS 3/8-16 x 1.5 Gr5 Zn
6	2	108-12	Washer .34 x 1.00 x .06 Zn
7	7	108-18	Washer .40 x 1.37 x .12 Zn
8	2	113-13	Plug, 1-1/4" Tube- Avg Brush Guard
9	2	117-21	Locknut, Nylon 5/16-18 Zn
10	4	117-29	Locknut, Nylon 3/8-16 Zn
11	1	613-144	Horn, Hella
12	2	613-142	Turn Signal and Marker, Hella
13	1	103-06	HHCS 5/16-18x1.0 Gr5 Zn
14	2	613-169	Bulb, EU Tail, Turn Signal
15	2	613-170	Bulb, EU Fr Marker
16	7	103-25	PHMS 10-24x3/4 Zn
17	6	117-10	Locknut, 10-24 N/I Zn
18	4	120-05	Washer .19x.50x.04 Zn
19	1	108-05	Lockwasher 5/16 Split-Ring Zn
20	2	613-168	Bulb, EU Headlight
21	2	613-172	Socket, EU Headlight
22	2	613-141	Headlight High Low, M133 Hella
23	1	108-25	Washer .31x.75x.06 Zn
24	1	117-21	Locknut, Nylon 5/16-18 Zn
25	1	622-124	Pin Ass'y, Front Hitch EU
26	1	104-11	Pin, Lynch - Ring
27	1	622-125	Lanyard, Front Hitch EU
28	2	112-91	HHCS M10x1,5x150mm Zn
29	1	622-120	Front Hitch, Ass'y EU
30	4	108-23	Washer .42x.81x.06 Gr8 Zn Di-C
31	1	622-112	Receiver Ass'y, Front Winch
32	2	117-60	Locknut, Nyloc M10x1.5mm Zn 8
33	2	127-132	Grommet, Rubber - 1/2" ID
34	1	125-84	Grommet, Rubber

# 11.0 Electrical System

# HDi SE Parts Manual



Ref.	Qty.	Part #	Description	Ref.	Qty.	Part #	Description
1	1	613-90	Outlet, 12 Volt DC	27	2	112-51	Screw, IHWH T/C #10-24 x 5/8
4	1	613-128	Cable, Extension, Speedo Pickup	29	1	118-52	Fuse, 10A 2 Prong (AT010)
5	2	127-108	Key, Molded	30	2	118-49	Fuse, 15A 2 Prong (AT015)
6	1	127-107	Bezel - Cover, Nut	31	1	118-53	Fuse, 20A 2 Prong (AT020)
7	1	127-106	Nut, Flanged - Plastic	32	9	118-62	Terminal - Fuse, single
8	1	127-105	Switch - Ignition	33	1	118-63	Terminal - Fuse, triple
9	1	613-126	Sensor, Speedo Pickup	34	1	118-61	Terminal - Fuse, quad
10	1	114-26	Lockwasher, 5/8 Int. Tooth	35	2	118-60	Block - Fuse, 8 position (4 fuse)
12	1	117-87	Nut, M12 x 1.25, Zn	37	1	127-143	Label, Fuse Panel - Kohler
13	1	613-124	Insulator, 2 Way w/cap, Red				
14	1	613-130	Gauge, LCD				
16	1	127-55	Cap, Battery Terminal - Red				
17	1	127-54	Battery, Exide 45-60				
	1	613-161	Battery, Optima - Argo (Opt.)				
19	2	613-37	Terminal Strip, Ground				
20	1	613-118	Wire Harness, Kohler 31HP				
21	1	613-46	Insulator, Terminal (2 ga.)				
22	1	613-94	Wire, Positive Battery				
23	1	613-95	Wire, Negative Battery				
24	1	681-00	FOB, Key - Floating				
25	2	127-56	Terminal, Battery Post				





# **ARGO** Products Manufactured by:

## **Ontario Drive & Gear Limited**

220 Bergey Court

New Hamburg, Ontario

Canada N3A 2J5

Phone: (519) 662-2840

Fax: (519) 662-2421

[www.argoatv.com](http://www.argoatv.com)

**ODG** *Dedicated to quality and performance*