

Argo 8x8
SPECIAL EDITION **750HDi**



Argo 8x8
SPECIAL EDITION **750HDi**

PARTS MANUAL

From Serial # ...30369

Foreword

ODG has prepared this parts manual for the HDi model to assist both qualified mechanics and vehicle owners in ordering correct, quality replacement ARGO parts. For the most current parts manual visit our website at www.argoatv.com.

Proper and regular service, and replacing old, worn or broken parts with the correct ARGO replacement parts, are both essential to prolonging the life of the ARGO. Please refer to this parts manual and/or our website www.argoatv.com before ordering any replacement part.

All information contained in this HDi Parts Manual is based on the latest product specification available at time of printing. If your HDi differs from the specifications contained in this manual, check our website www.argoatv.com for the most current information.

ODG reserves the right to alter specifications on the HDi model at any time, without obligation or prior notification.

Reproduction of this HDi Parts Manual, in whole or in part, is prohibited without prior written permission from Ontario Drive & Gear Limited.

Vehicle Identification

HDi SE - Serial Nos. ...30369

Explanation of Parts Manual Format

Ref	- Reference number between assembly diagram and component parts list
Part No.	- Argo replacement part number for identification and re-ordering
Description	- Part description for identification and re-ordering
Qty	- Indicates the quantity of a part used in an assembly

Argo 8x8

SPECIAL EDITION 750 HDi



Using the Parts Manual

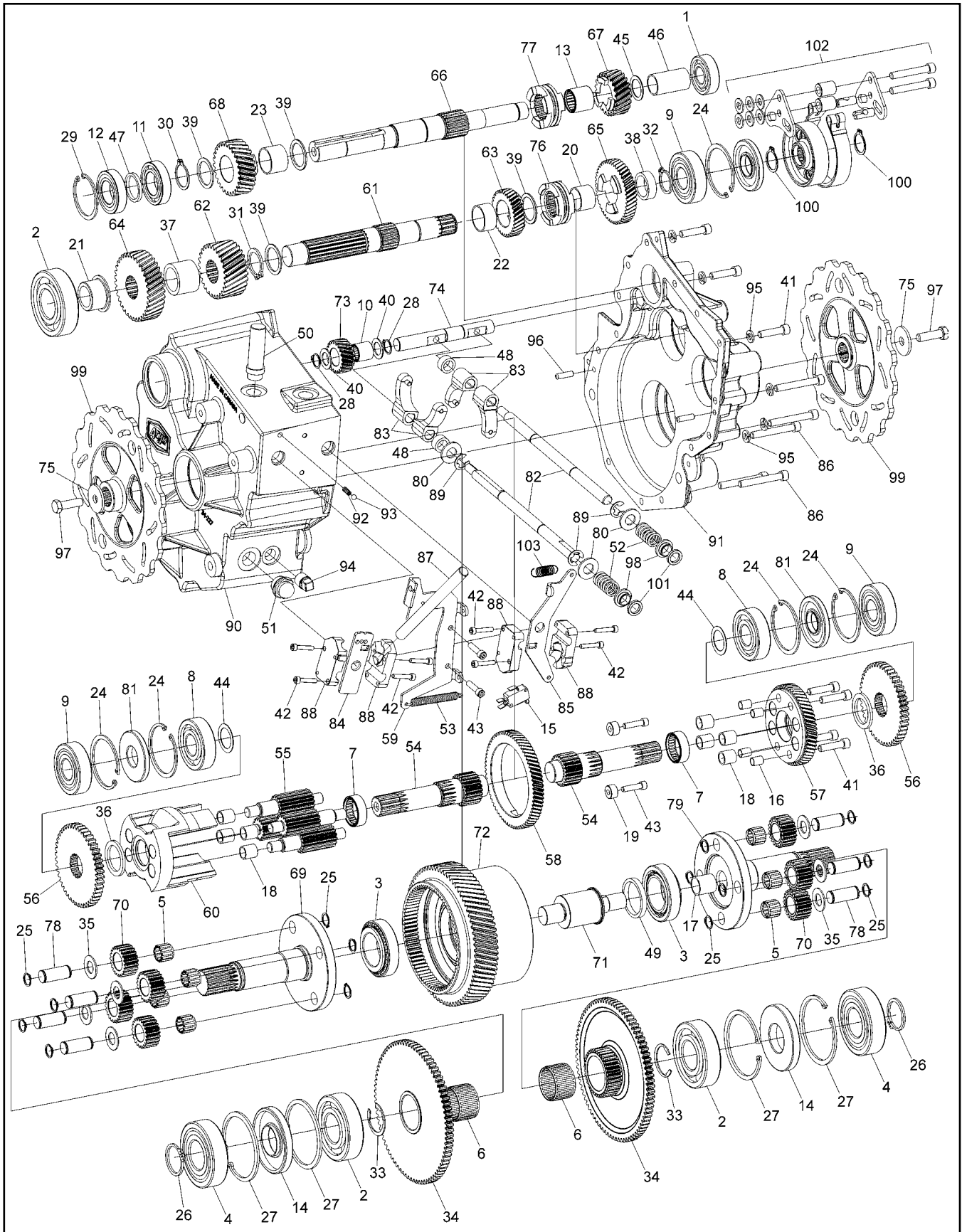
1. Find the major vehicle assembly in the Table of Contents on this page, and turn to that section.
2. Locate the part in the illustration that you wish to order.
3. Refer to the parts list in that section.
4. Find the correct part number (Part No.), part description (Description) and correct quantity (Qty).
5. Use *only* this information to order ARGO replacement parts. **DO NOT** attempt to order a replacement part by reference number or page number.

Table of Contents

Foreword	i
Vehicle Identification.....	i
Using the Parts Manual	ii
1.0 Transmission	1
2.0 Intake and Exhaust System	3
3.0 Clutch System	5
4.0 Power Pack Assembly.....	7
5.0 Steering & Brake System	9
6.0 Parking Brake.....	11
7.0 Vehicle Body & Firewall.....	13
8.0 Frame & Drive System	15
9.0 Fuel System & Seat Assembly	17
10.0 Brushguard.....	19
11.0 Electrical System.....	21

1.0 Transmission

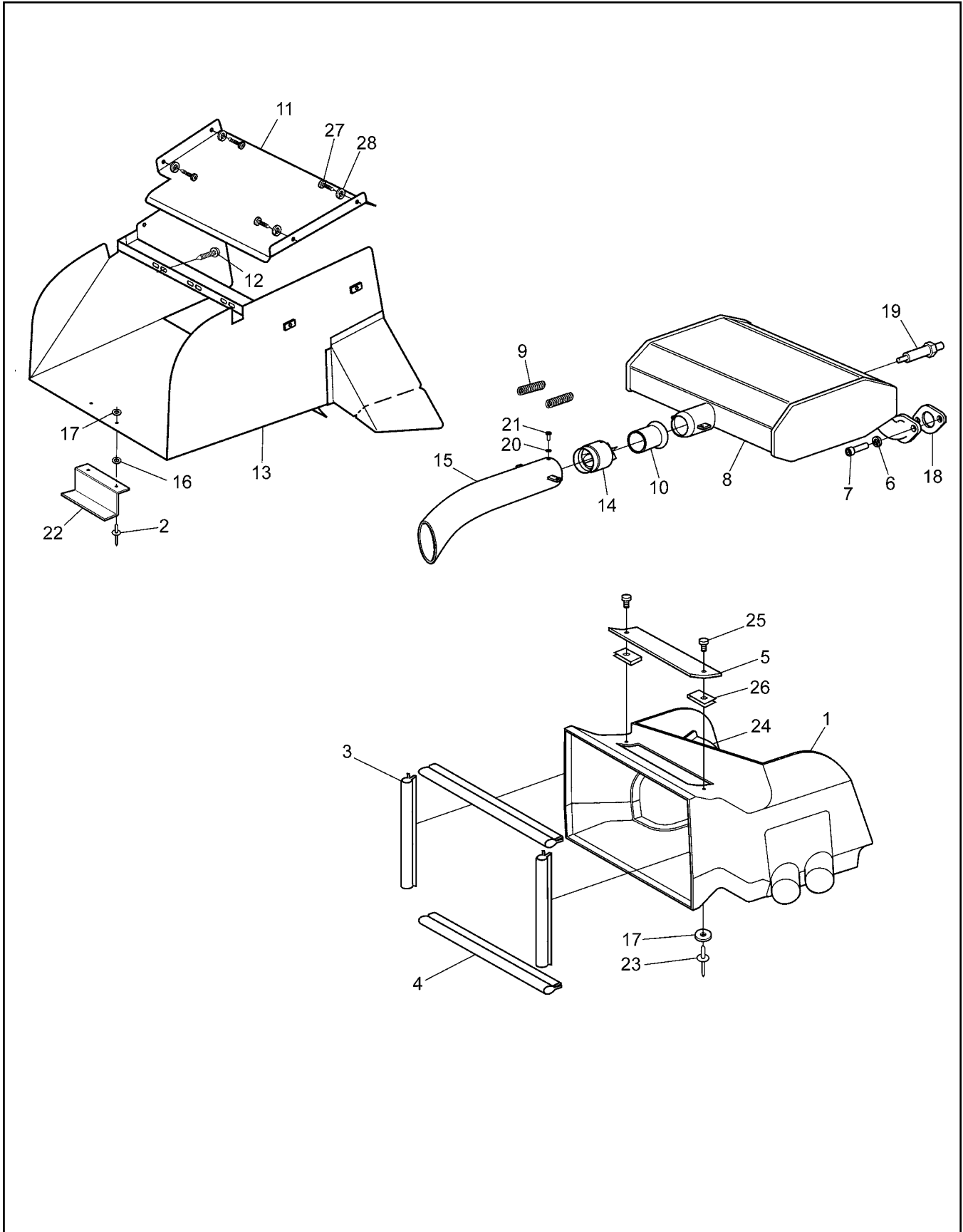
HDi SE Parts Manual



HDI SE Parts Manual

1.0 Transmission

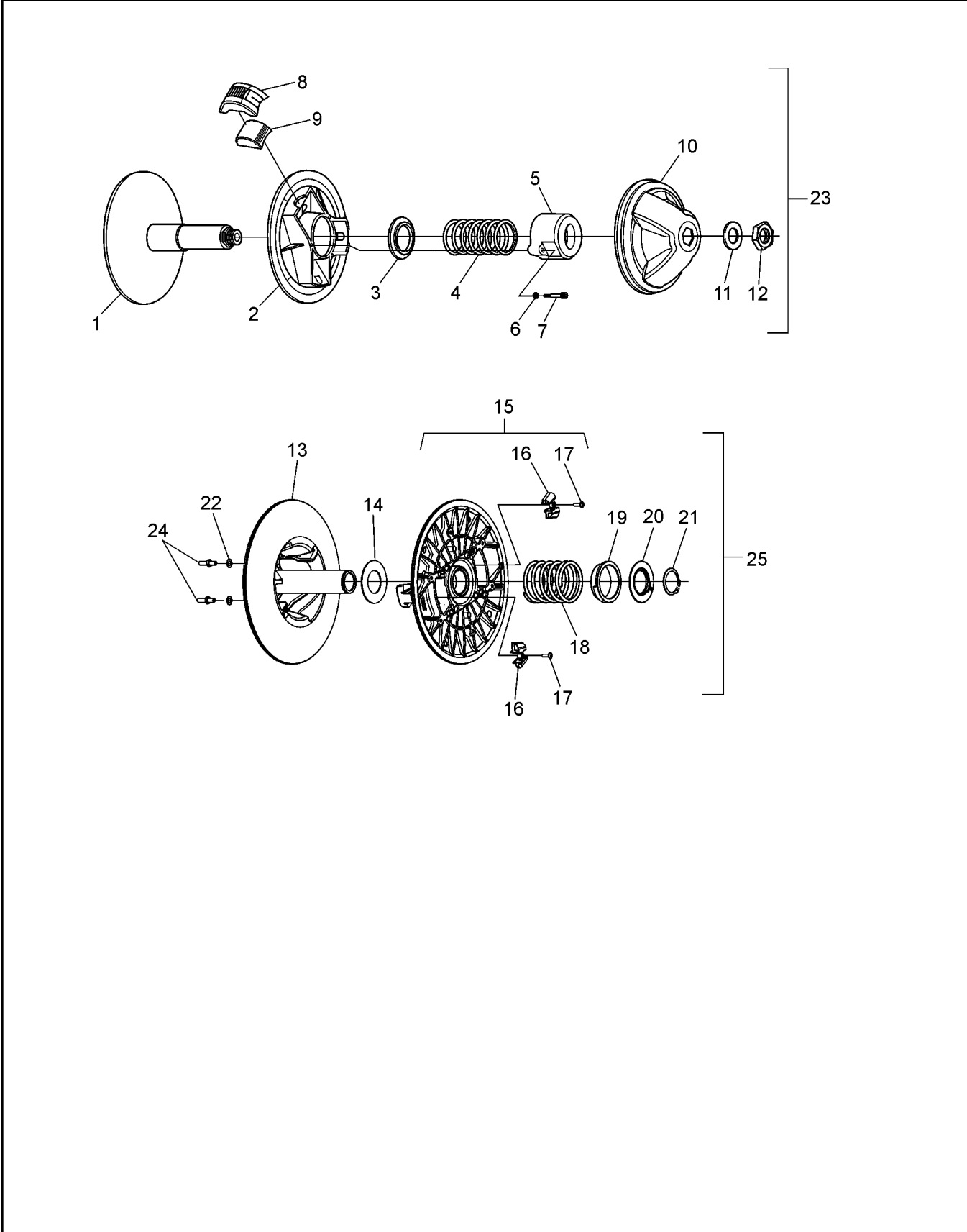
Ref.	Qty.	Part #	Description	Ref.	Qty.	Part #	Description
	1	34-200-FG	Transmission Assembly	55	4	34-202	Gear, Planet - 15T
1	1	101-01	Bearing, Ball 6204Z-C3	56	2	34-203	Pinion, Spur - 46T
2	3	101-73	Bearing, Ball 6307 CL.N.	57	1	34-204	Gear, Helical - 55T
3	2	101-76	Bearing, Tapered Roller 32008X	58	1	34-205	Gear, HelicalL - 67T
4	2	101-81	Bearing, Ball 6307 ZZE	59	1	34-241	Bracket, Switch, Spring Mount
5	8	101-82	Bearing, Needle K15x21x17	60	1	34-206	Cage, Differential
6	2	101-83	Bearing, Needle KJ37x42x27S	61	1	34-208	Shaft, Idler
7	2	101-84	Bearing, Needle HK3012	62	1	34-209	Pinion, Helical - 27T
8	2	101-40	Bearing, Ball 6305 Open	63	1	34-210	Pinion, Helical - 31T
9	3	101-86	Bearing, Ball 6305 Zz	64	1	34-211	Gear, Helical - 35T
10	1	101-87	Bearing, Needle HMK20x27x25	65	1	34-212	Pinion, Helical - 45T
11	1	101-88	Bearing, Ball 60/28	66	1	34-213	Shaft, Input
12	1	101-89	Bearing, Ball 60/28 Llu	67	1	34-214	Pinion, Reverse - 21T,12Dp
13	1	101-90	Bearing, Needle HK2220	68	1	34-215	Pinion, Forward - 27T,12Dp
14	2	102-33	Seal, Oil 35x80x10	69	1	34-216	Shaft, Output
15	1	613-151	Switch, Micro, Roller Lever	70	8	34-217	Gear, Planet - 21T
16	4	105-23	Bushing, Dowel - .312 x .5	71	1	34-218	Shaft, Planetary Stub
17	1	105-26	Bushing, Oilite .75x.875x.875	72	1	34-219	Planetary Hub
18	8	105-27	Bushing, Oilite .5x.625x.625	73	1	34-220	Pinion, Idler - 20T
19	2	105-28	Bushing, Dowel .26x.625x.36	74	1	34-221	Shaft, Shift - Reverse
20	1	105-29	Bushing, Oilite 1.0x1.125x.75	75	2	108-18	Washer .40x1.37x.12 Zn
21	1	105-30	Bushing, Flanged 1x1.375	76	1	34-223	Collar, Shift, Hi-Low
22	1	105-31	Bushing, Bronze 1.125x1.25x.625	77	1	34-224	Collar, Shift, For-Rev
23	1	105-32	Bushing, Bronze 1.125x1.25x.875	78	8	34-225	Pin, Planet Carrier
24	5	106-05	Retaining Ring HO-244-PA	79	1	34-226	Shaft, Output, Right
25	16	106-22	Retaining Ring SH-0056-PA	80	3	108-35	Washer .53x1.06x.09 Zn
26	2	106-23	Retaining Ring SH-0137-PA	81	3	102-37	Seal, Oil 25x62x7
27	4	106-24	Retaining Ring H0-312-PA	82	2	34-231	Shaft, Shift - F-N-R
28	2	106-25	Retaining Ring SH-0078-PA	83	4	34-232	Fork, Shift - Half
29	1	106-26	Retaining Ring H0-206-PA	84	1	34-233	Plate, Detent
30	1	106-27	Retaining Ring SH-112-PA	85	1	34-242	Bracket, Spring Mount
31	1	106-28	Retaining Ring SHR-0112-PA	86	8	112-18	SHCS 5/16x2.25
32	1	107-15	Retaining Ring SHR-98-PA	87	1	34-235	Lever, Shaft - F-N-R
33	2	106-31	Retaining Ring C-0137	88	4	34-236	Clamp, Lever Shaft
34	2	34-207	Gear, Sun - 81T, 35T	89	3	106-30	Retaining Ring E-0050 E
35	8	108-93	Washer, .59x1.10x.06	90	1	34-227	Housing, Admiral, Left
36	2	108-94	Washer, Thrust 1.25x1.688x.125	91	1	34-228	Housing, Admiral, Right
37	1	108-96	Spacer, 1.125x1.5x1.083	92	1	34-32	Spring, Comp 0.22x.50
38	1	108-97	Spacer, 1.01x1.3x.409	93	1	109-05	Ball, Steel 6mm 62-67 Rc
39	4	108-98	Washer, Thrust 1.13x1.46x.062	94	1	103-02	Plug, Magnetic 3/8-18Npt Sq.Hd
40	2	108-99	Washer, Thrust .79x1.25x.06	95	11	108-05	Lockwasher 5/16 Split-Ring Zn
41	10	112-143	SHCS 5/16x1.25 Zn	96	2	104-03	Pin, Dowel 1/4x7/8
42	8	112-184	SHCS, 10-32x1	97	2	103-18	HHCS 3/8-24x1.25 Gr5 Zn
43	4	112-47	SHCS, 1/4-20 x 1.0 Zn	98	2	105-33	Bushing, Flange
44	2	114-16	Washer, SHIM .99x1.375x.030	99	2	165-22	Disc, Brake - Admiral
45	1	114-17	Washer, Thrust .866x1.181x.039	100	2	106-29	Retaining Ring SH-0093-PA
46	1	114-18	Spacer, .865x1.0x1.75	101	2	102-36	Seal, Shift Shaft - 0.5x.75x.125
47	1	114-19	Spacer, 1.12x1.375x.148	102			See Section 6.0 Parking Brake
48	2	114-21	Spacer, .51x.75x.36	103	1	127-195	Spring, Ext., .75 x 2.73
49	1	114-22	Spacer, 1.585x1.75x.245				
50	1	34-245	Plug, Fill/Vent 1/2 BSPP				
51	1	34-244	Site Glass, 1/2 BSPP				
52	2	127-186	Spring, Comp. 0.70x1.28				
53	1	127-194	Spring, Ext .360x3.0				
54	2	34-201	Shaft, Brake				



Ref.	Qty.	Part #	Description
1	1	809-03	Duct, Intake
2	2	120-13	Rivet, 3/16 x 3/4 - Black
3	2	809-05	Seal, Radiator - 10.25" LG
4	2	809-06	Seal, Radiator - 16.25" LG
5	1	601-111	Cover Plate, Intake Duct
6	4	108-05	Lockwasher 5/16 Split Ring Zn
7	4	112-30	SHCS M8 x 1,25 x 20mm Zn
8	1	607-142	Muffler Ass'y, Kohler 750 EFI
9	2	127-187	Spring, Extension - 17/32 x 3.75
10	1	607-135	Tube, Muffler, Flared x 2.0
11	1	607-168	Shield, Heat - Muffler, Avg
12	3	112-19	Screw, IHWH T/C Slot 1/4-20 x 1/2
13	1	607-167	Duct, Exhaust, Avenger
14	1	607-126	Spark Arrester, 1.75 Dia.
15	1	607-166	Pipe, Tail - Ass'y 8.00
16	2	125-58	Washer, Fibre - W-77F
17	12	120-04	Washer, .19 x .50 x .08 Zn
18	2	24 041 49	Gasket, Exhaust Manifold
19	1		See Section 4.0 Power Pack Assembly
20	1	108-77	Lockwasher, #8 External Tooth
21	1	112-43	Screw IHWH #8 x 3/8
22	1	607-170	Support, Exhaust Duct - Avenger
23	13	120-09	Rivet, 3/16 x 1.0 Black
24	1	809-04	Shroud, Intake Duct
25	2	117-89	Thumbscrew, 1/4-20 x 1, Nylon
26	2	112-186	U-clip, Tapped 1/4-20 x .531
27	4	103-31	PHMS 1/4-20 x 5/8 Grade 5 Zn
28	4	108-03	Lockwasher 1/4 Split Ring Zn

3.0 Clutch System

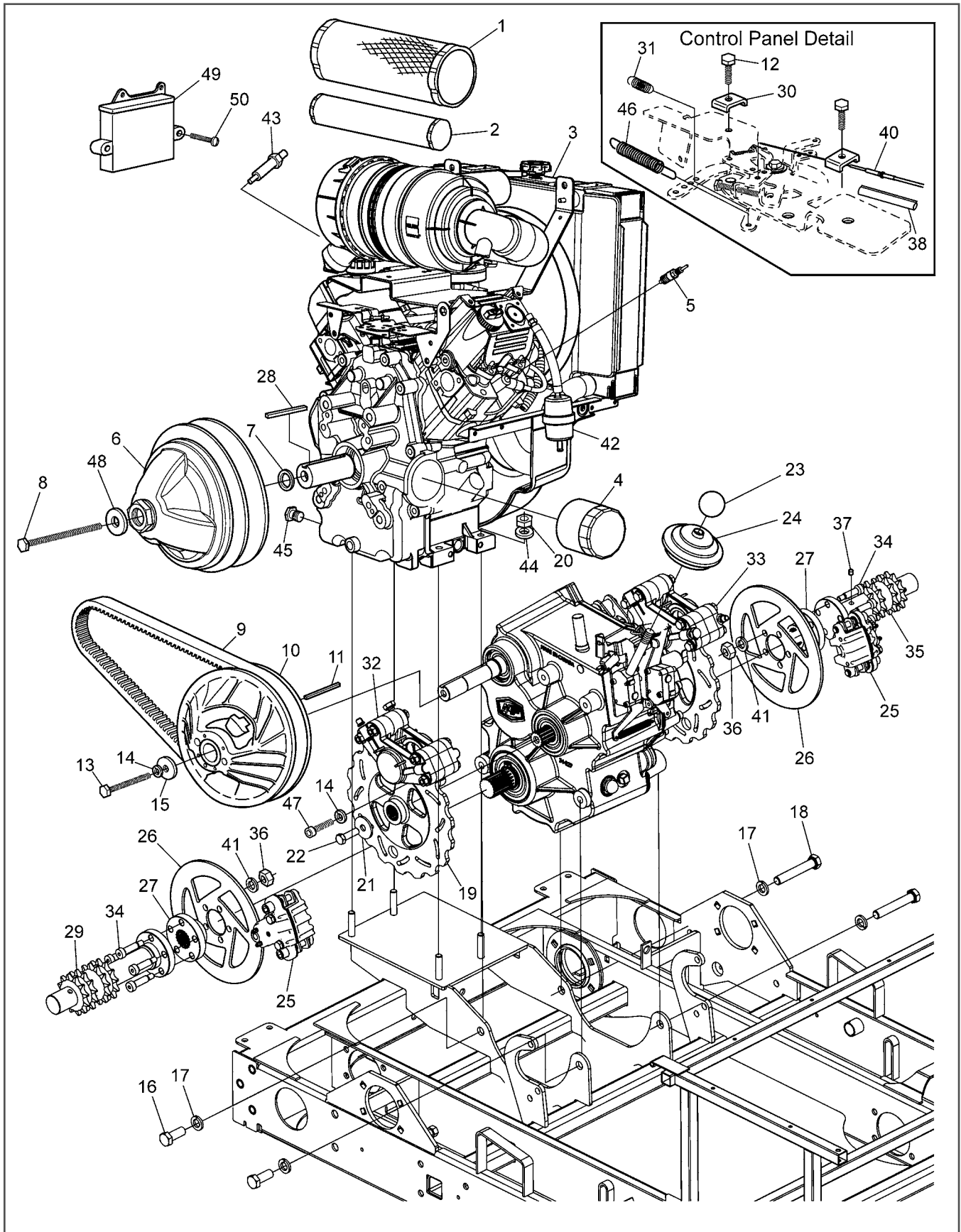
HDi SE Parts Manual



Ref.	Qty.	Part #	Description
1	1	0405-0075	Flange, Fixed
2	1	0410-0026	Flange, Sliding
3	1	0150-1014	Spring Guide Washer
4	1	0451-1114	Spring
5	1	0440-0005	Spring Cover
6	3	0080-0167	Lockwasher
7	3	0080-0021	Screw, Cap
8	3	0130-3009	Block
9	3	0135-3062	Weight (240gr)
	1	127-208	Weight Set (3), 185g - High Elevation
	1	127-209	Weight Set (3), 220g - High Elevation
10	1	0115-0047	Cap
11	1	0080-0153	Washer, Zn
12	1	0080-0100	Nut
13	1	5905-0003	Flange, Fixed
14	1	0080-0164	Washer, Shim
15	1	5910-0002	Flange, Sliding
16	3	5930-3001	Cam Shoe
17	2	0080-0031	Screw
18	1	5951-1009	Spring
19	1	5950-3003	Spring Protector
20	1	5950-3002	Spring Support
21	1	0080-0216	Retaining Ring, Outside
22	2	0080-0167	Lockwasher
23	1	127-157	Clutch, Driver - EFI Models
24	2	0080-0035	Screw & Nut Ass'y
25	1	127-156	Clutch, Driven - INVANCE

4.0 Power Pack Assembly

HDi SE Parts Manual



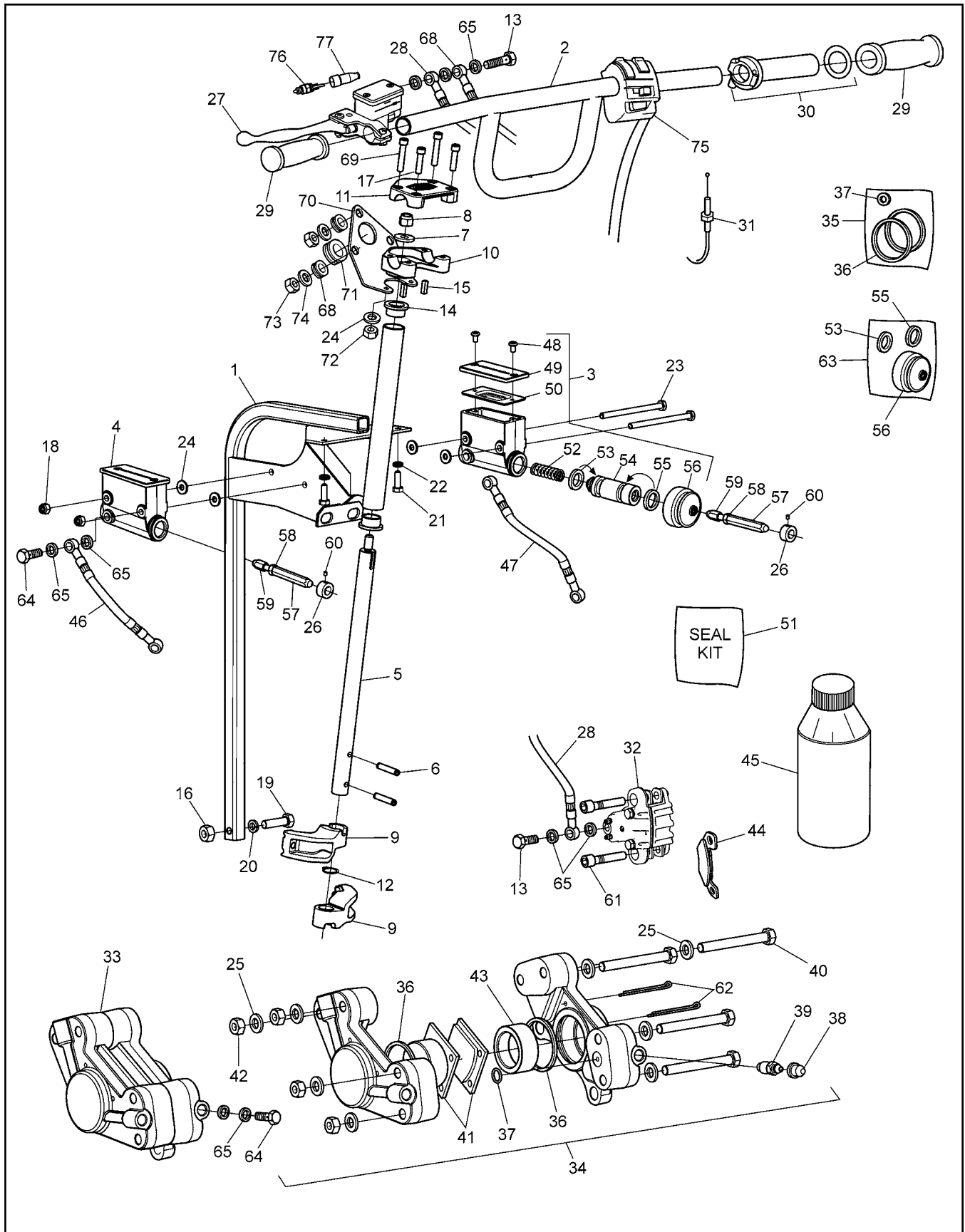
HDI SE Parts Manual

4.0 Power Pack Assembly

Ref.	Qty.	Part #	Description	Ref.	Qty.	Part #	Description
1	1	25 083 01	Filter, Air	34	10	112-188	Bolt, Shoulder M10 x 30
2	1	25 083 04	Element, Inner	35	1	810-98	Shaft, Output - Ass'y Short
3	1	LH775	Kohler 31 HP Engine, EFI	36	10	117-77	Locknut, Nylon - M8 x 1,25mm Zn8
4	1	12 050 01	Filter, Oil	37	1	613-127	Magnet, Speedometer
5		127-193	Sparkplug, RC14YC	38	1	607-172	Sleeve, Thermo Protect 1/2" ID
6			See Section 3.0 Clutch System	40	1	612-116	Cable Asm., Throttle
7	1	108-84	Washer, Engine Clutch	41	10	108-05	Lockwasher 5/16 Split-Ring Zn
8	1	112-160	HHCS, 7/16-20 x 4.50" Lg	42	1	125-64	Filter, Fuel
9	1	127-137	Drive Belt - 10.5" Cen. Dist	43	1	24 418 05	Sensor, Oxygen
10			See Section 3.0 Clutch System	44	4	108-26	Washer, .43 x 1.02 x .09 Zn
11	1	110-03	Key 1/4 x 3/16 x 2.375 RC46	45		112-156	Plug, Oil Drain 3/8-18 NPT Hex
12	1	M-545016	Screw, Clamp Cable (Kohler #)	46	1	24 089 46	Spring, Governor (Kohler #)
13	1	112-164	HHCS 3/8-16 x 3.5 Gr5 Zn	47	4	103-41	SHCS 3/8-16x1.25 Zn
14	6	108-06	Lockwasher 3/8 Split Ring Zn	48	1	108-58	Washer, .47 x 1.37 x 12 Hi-carbon
15	1	108-46	Washer .40 x 1.37 x 1.2 Hi-Carbon	49	1	66 584 05	ECU (c/w engine)
16	2	112-189	HHCS 1/2-13 x 1.25 Gr5 Zn	50	2	112-161	PHMS, 10-24 x 2.5
17	4	108-07	Lockwasher 1/2 Split Ring Zn				
18	2	112-190	HHCS 1/2-13 x 3.0 Gr5 Zn				
19	2	165-22	Disc, Brake - Admiral				
20	4	117-29	Locknut, Nylon 3/8-16 Zn				
21	2	108-18	Washer .40 x 1.37 x .12 Zn				
22	2	103-18	HHCS 3/8-24 x 1.25 Gr5 Zn				
23	1	127-189	Knob, 1.58" Dia. x 1/2-13				
24	1	609-44	Boot, F-N-R Shifter				
25			See Section 5.0 Steering & Brake System				
26	2	165-25	Disc, Brake, Service				
27	2	34-239	Coupler, Output Shaft				
28	1	110-18	Key 1/4 x 1/4 x 1.75				
29	1	810-99	Shaft, Output Ass'y, Long				
30	1	12 237 01	Clamp, Cable (Kohler #)				
31	1	24 089 51	Spring, Throttle (Kohler #)				
32			See Section 5.0 Steering & Brake System				
33			See Section 5.0 Steering & Brake System				

5.0 Steering & Brake System

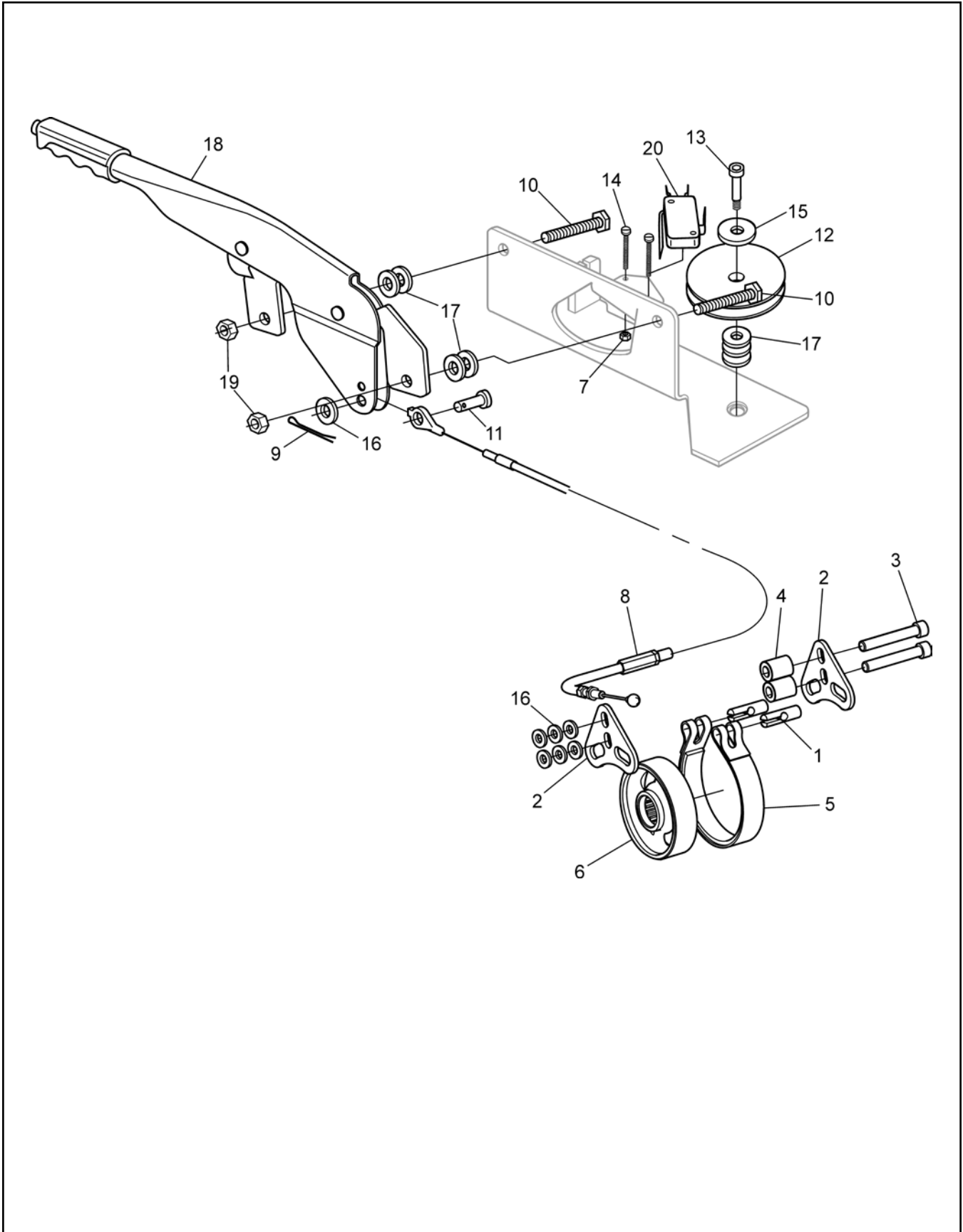
HDi SE Parts Manual



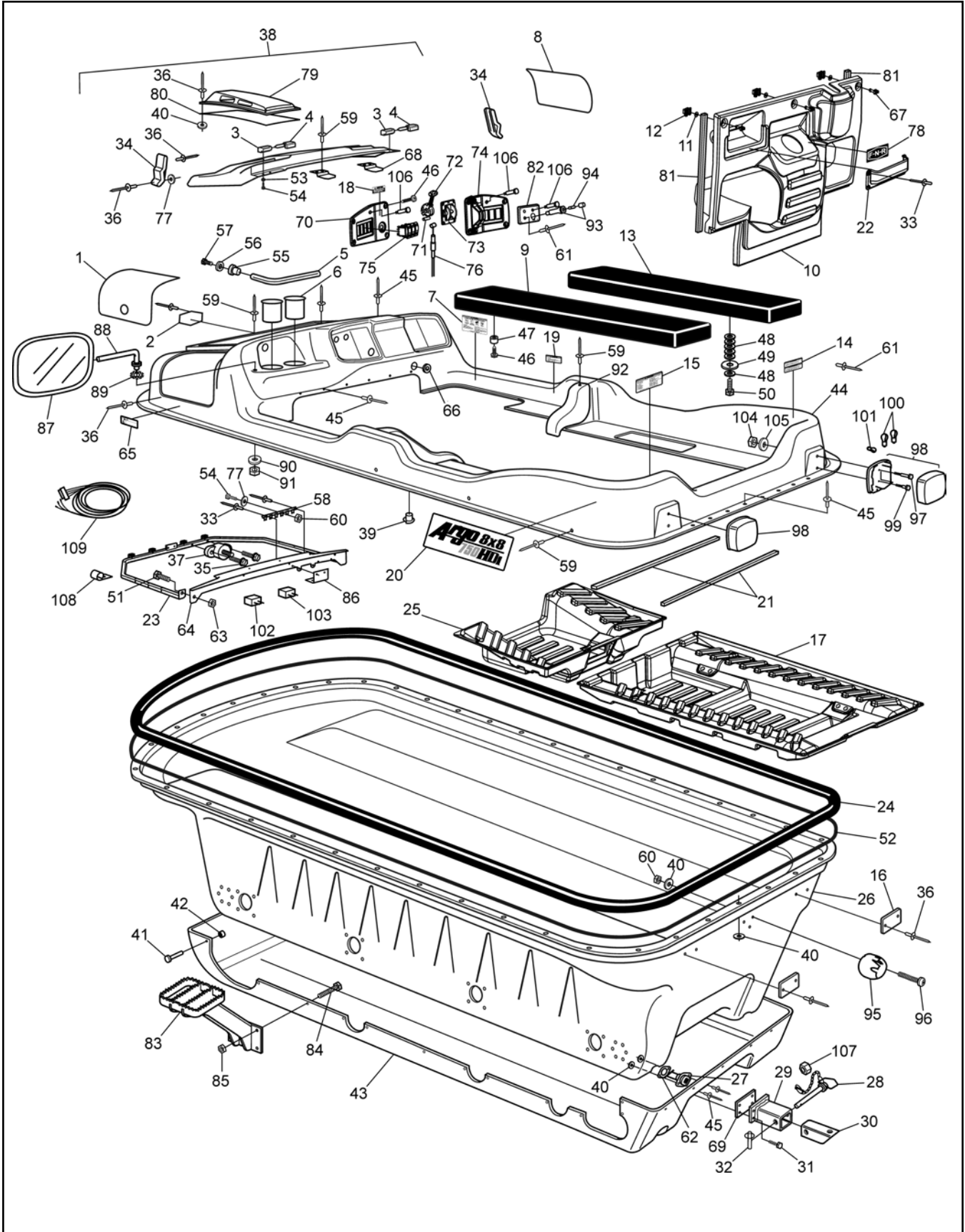
Ref.	Qty.	Part #	Description	Ref.	Qty.	Part #	Description
1	1	612-133	Frame Ass'y- Steering Column HDi	45		126-19	Fluid, Brake-Silicon Dot 5 - .35L
2	1	612-107	Handlebar Assembly	46	1	163-05	Hose Asm, Hydraulic - Left
3	1	165-08	Master Cylinder, Grimeca - R	47	1	163-06	Hose Asm, Hydraulic - Right - SS
4	1	165-07	Master Cylinder, Grimeca - L	48	2x2	160-42	Screw, FHMS M5 x 0,8 x 6mm
5	1	612-128	Shaft, Steering - Avenger	49	2x1	168-08	Cover
6	2	104-42	Pin, Spring 1/4 x 1.5"	50	2x1	168-09	Cover, Rubber
7	1	108-47	Washer, .39 x .94 x .13 Zn Di-chr	51	1	165-37	Piston Seal Kit - Wilwood
8	1	117-29	Locknut, Nylon 3/8-16 Zn	52	2x1	162-08	Spring, Comp. 17.3 x 49.3mm
9	2	612-124	Arm, Steering	53	2x1		Seal, Primary, 19mm (See Ref. 63)
10	1	612-106	Clamp, Lower Handlebar	54	2x1	168-10	Piston 19mm dia.
11	1	612-105	Clamp, Upper Handlebar	55	2x1		Seal, Secondary, 19mm (See Ref. 63)
12	1	106-07	Ring, Retaining SH-0075PA	56	2x1		Boot, Rubber (See Ref. 63)
13	2	112-194	Bolt, Banjo, M10x1.0, Double	57	2	812-30	Pin, Female
14	2	105-16	Bushing, Oilite - 3/4 x 1/2	58	2	117-03	Nut, Fin Hex 1/4-20 Zn
15	2	110-17	Key, 3/16 x 3/16 x .625	59	2	812-31	Fin, Male
16	1	117-21	Locknut, Nylon 5/16-18 Zn	60	2	112-02	SHSS 10-24x1/4 Knurl Cup PT, PL
17	2	112-47	SHCS, 1/4-20 x 1.0 Zn	61	4	165-38	Caliper Pin, Service Brake HDi
18	2	117-27	Locknut, Nylon 1/4-20 Zn	62	2x2	168-07	Pin, Cotter 1/8 x 3.00 Zn
19	1	112-155	C/Bolt 5/16-18x1.25 Gr2 Zn	63	2x1	161-25	O-Ring Kit - Master Cylinder - Grimeca (incl. Ref. 53, 55 & 56)
20	1	108-24	Washer, .34 x .70 x .06 Zn	64	4	160-44	Bolt, Banjo - M10 x 1,0 x 21,0
21	2	112-04	HHCS 1/4-20 x 3/4 Gr2 Zn	65	13	160-01	Washer, Copper - 1,5 x 10,0 x 14,0
22	2	108-03	Lockwasher 1/4 Split Ring Zn	68	1	165-35	Brake Line, Driver Side
23	2	103-66	HHCS, 1/4-20 x 4.0 Gr5 Zn	69	2	103-69	SHCS 1/4-20 x 1.5 Zn
24	4	108-08	Washer, .28 x .62 x .04 Zn	70	1	612-132	Bracket, LCD Gauge - Painted
25	2x8	108-24	Washer, .34 x .70 x .06 Zn	71	1	128-27	Grommet 1-1/4ID x 1-1/2x3/32
26	2	812-17	Collar	72	2	117-86	Nut, Acorn, 1/4-20 Zn
27	1	165-31	Handbrake, Left Hydraulic	73	3	117-85	Nut, Acorn, M5 Zn
28	1	165-34	Brake Line, Passenger Side	74	3	120-04	Washer .19 x .50 x.08 Zn
29	2	127-35	Grip, Molded	75	1	613-173	Hand Control Switch,EU
30	1	127-81	Throttle Twist Grip	76	1	118-66	Switch, Brake Light
31	1	612-116	Cable Asm., Throttle	77	1	118-67	Boot, Brake Light Switch
32	2	165-32	Caliper, Service (does not include Ref. #61)				
33	1	166-10	Caliper, Hydraulic Brake - L w/o pads				
34	1	166-11	Caliper, Hydraulic Brake - R w/o pads				
35	2	161-05	O-ring Kit, Knott Caliper				
36	2		Seal, Piston				
37	2		Seal, Rubber				
38	2x1	168-20	Plug, Rubber				
39	2x1	168-02	Screw, Bleeding, Knott Caliper				
40	2x4	112-154	SHCS, 5/16-18 x 2.75 Zn				
41	1	170-03	Pad Set (4), Brake - Non-Asbestos				
42	2x4	117-03	Nut, Fin Hex 5/16-18 Zn				
43	2x2	168-01	Piston, Knott Caliper				
44	1	165-36	Brake Pad (4) Replacement - Kit				

6.0 Parking Brake

HDi SE Parts Manual



Ref.	Qty.	Part #	Description
1	3	104-57	Pin, Slotted .375 x 1.25
2	2	165-27	Bracket, E-Brake
3	2	112-185	SHCS 5/16 x 2.0 Zn
4	2	114-23	Spacer, .34 x .63 x .80
5	1	165-28	Band, Brake
6	1	34-243	Drum, E-Brake
7	2	112-173	Locknut, #5-40, Zn
8	1	165-33	Cable, Parking Brake - HDi
9	1	100-100	Pin, Cotter 1/8x3/4 Zn
10	2	103-06	HHCS 5/16-18x1.0 Gr5 Zn
11	1	104-27	Pin, Clevis 5/16x.75" Zn
12	1	850-79	Pulley, Parking Brake Cable
13	1	112-178	Bolt, Shoulder, 1/2 x 5/8
14	2	112-172	SHCS 5-40 x 3/4 Zn
15	1	108-35	Washer .53 x 1.06 x .09 Zn
16	6	108-24	Washer .34x.70x.06 Zn
17	7	108-47	Washer .39x.94x.13 Zn Di-Chro
18	1	809-147	Lever, Parking Brake
19	6	117-21	Locknut, Nylon 5/16-18 Zn
20	1	613-120	Switch, Micro, Lever



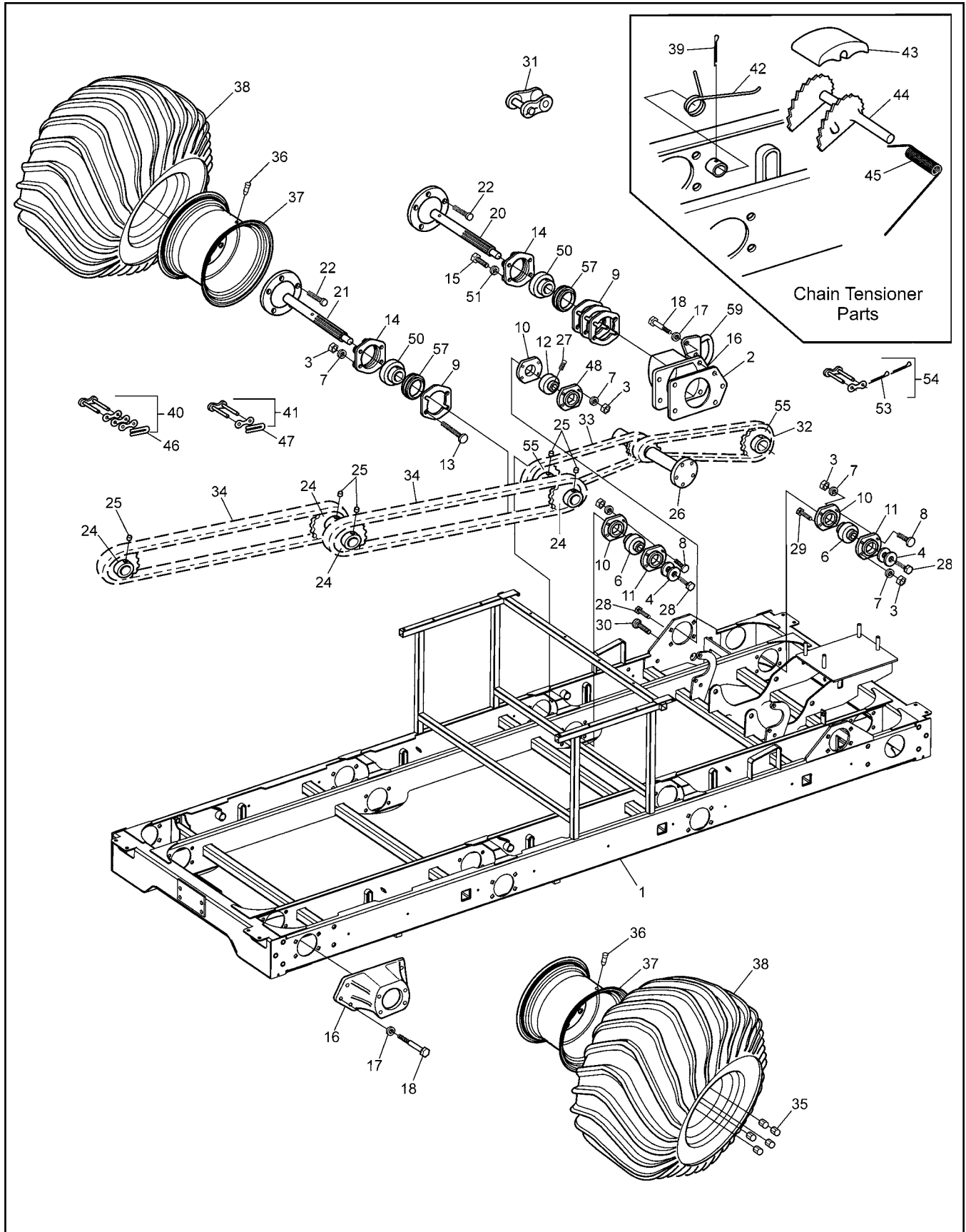
HDI SE Parts Manual

7.0 Vehicle Body & Firewall

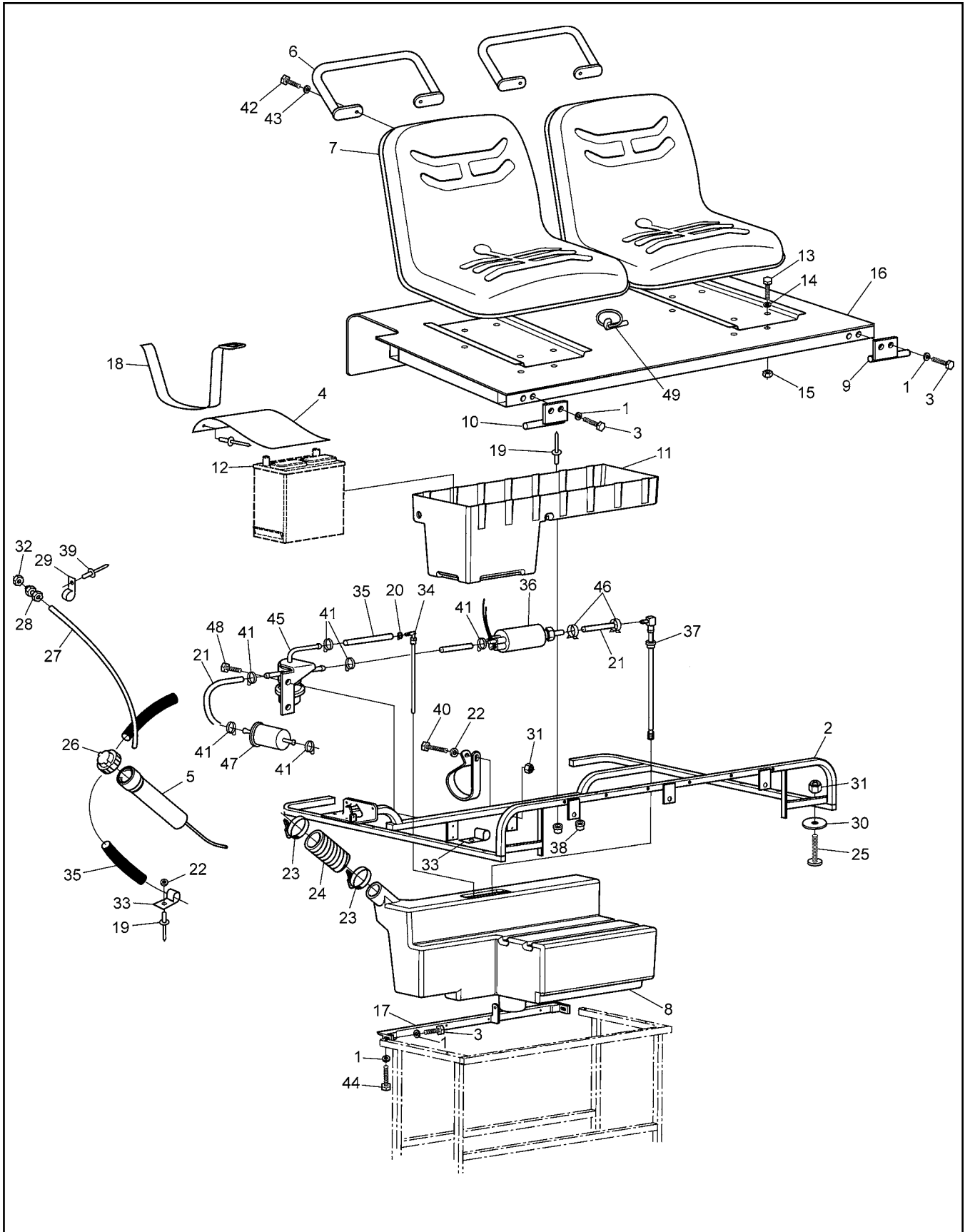
Ref.	Qty.	Part #	Description	Ref.	Qty.	Part #	Description
1	1	707-43	Screen - Exhaust	56	1	108-35	Washer .53 x 1.06 x .09 Zn
2	1	601-44	Nameplate, "Argo"	57	1	112-151	HHCS 1/2-13 x 1" Gr2 Zn
3	2	127-45B	Knuckle, Hinge	58	1	613-37	Terminal Strip, Ground
4	2	127-45A	Pin, Hinge	59	19	120-13	Rivet, 3/16 x 3/4 Black
5	1	601-101BL	Tube, Dash Handle	60	4	117-10	Locknut, 10-24 N/I Zn
6	2	100-109	Cup holder Insert	61	44	120-24	Rivet, 3/32 x 3/8 Alum. (all plates)
7	1	126-68	Plate, Operation	62	2	100-114	Gasket, Drain Plug
8	1	707-42	Screen, Intake	63	2	117-82	Locknut, Flange 1/4-20 Zn
9	1	608-64	Seat, Rear - Left	64	1	602-51	Frame Ass'y, Hood - Rear
10	1	609-42	Firewall, Admiral	65	1	127-144	Label, Warning - HOT
11	3	114-24	Retainer, Q-Turn Washer	66	1	128-26	Grommet, 1-1/2ID x 1-3/4x1/4
12	3	117-91	Receptacle, Q-Turn	67	3	112-193	Stud, Q-Turn
13	1	608-65	Seat, Rear - Right	68	2	602-52	Clip, Hood
14	1	126-67	Plate, Floor Pan	69	1	616-20	Gasket, Rear Hitch
15	1	127-173	Plate, Vehicle Capacity	70	1	601-119	Panel, Dash - Left, HDi
16	2	613-148	Rear Reflector, Hella	1	1	601-120	Panel, Dash - Left, w/choke
17	1	803-69	Floor Pan, Rear Euro - HDi	71	1	104-57	Pin, Slotted .375 x 1.25
18	1	127-199	Label, Caution - Dash, HDi	72	1	127-212	Pivot, Hi-Lo Shifter
19	1	126-69	Plate, Fuel	73	1	127-211	Bracket, Hi-Lo Shifter
20	2	127-207	Nameplate - HDi SE	74	1	601-118	Panel, Dash - Right, HDi
21	2	601-09	Trim, Vinyl - 28"	75	1		See Section 11.0 Electrical System
22	1	609-43	Glove Box, Firewall, HDi	76	1	127-198	Cable, Hi-Lo Shifter
23	1	602-49	Frame Ass'y, Hood - Front	77	6	120-05	Washer .19 x .50 x .04 Zn
24	1	801-05	Bumper, Vinyl - 8x8	78	1	127-200	Label, F-N-R - HDi
25	1	803-63	Floor Pan, Front - HDi	79	1	602-60	Scoop, Hood - HDi
26	1	801-50	Body, Lower	80	1	602-59	Screen, Hood - HDi
27	2	100-107	Plug, Drain - Flanged	81	2	809-166	Seal, 15" Long
28	1	104-55	Pin with Chain and Lynch Pin	82	1	601-115	Plate, Indicator - EU
29	1	616-22	Hitch Assembly, EU	83	1	848-05	Step Ass'y, Entry - Avenger
30	1	616-19	Tube, Hitch	84	4	103-34	HHCS 3/8-16x1.25 Gr5 Zn
31	4	103-61	HHCS 3/8-24 x 1.5 Gr5 Zn	85	4	117-29	Locknut, Nylon 3/8-16 Zn
32	1	104-11	Pin, Lynch - Ring	86	1	602-61	Bracket, Flasher Relay Mnt
33	12	120-15	Rivet - 1/8 x 7/16	87	2	848-168	Mirror, Side
34	2	602-56	Latch, Hood - Soft Draw	88	2	848-169	Support, Side Mirror
35	2	112-51	Screw, IHWH T/C #10-24x5/8	89	2	108-55	Lockwasher 7/16 Ext Tooth Zn
36	34	120-11	Rivet 5/32 x 9/16 - Black	90	2	108-18	Washer .40x1.37x.12 Zn
37	1	613-123	Post, Power, 5/16-18, Red	91	2	117-60	Locknut, Nyloc M10x1.5mm Zn
38	1	602-47	Hood Kit (spec. colour) (incl. 3, 4, 34, 36, 40, 53, 54, 59, 67, 68, 79, 80)	92	2	601-117	EU Cover, Body Side - TPO
39	2	117-44	T- Nut 1/4-20 Zn	93	1	613-163	Switch, Hazard Flasher, No Bulb
40	99	120-04	Washer .19 x .50 x .08 Zn	94	1	613-164	Bulb, Hazard Flasher
41	32	120-27	Pin, Magna Grip	95	1	613-147	Trailer Connector, Hella
42	32	120-28	Collar, Magna Grip	96	3	112-07	RHMS 10-24x1.50 Zn
43	1	801-51	Skid Plate, 8x8 - Black	97	2	103-77	HHCS 1/4-28x2.0
44	1	801-52	Body & Hood, Upper - (spec. colour) (incl. 23, 33, 34, 38)	98	2	613-143	Tail Stop Turn - 2 of Part/Box
45	113	120-09	Rivet 3/16 x 1 - Black	99	2	112-121	HHCS 1/4-28x1.25 Gr2 Zn
46	12	103-48	T/S Pan HD PHIL #10 x 5/8	100	4	613-169	Bulb, EU Tail, Turn Signal
47	4	126-79	Bumper, Plastic - Black	101	2	613-171	Bulb, EU RR Marker
48	24	108-25	Washer .31 x .75 x .06 Zn	102	1	613-146	4 Way Flasher Relay, Hella
49	4	603-15	Washer, Plastic 5/16 Hole	103	1	118-73	Relay, Signal Light, Glow Plug
50	4	103-08	HHCS 1/4-20 x 1.0 Zn	104	4	117-01	Locknut, Nylon 1/4-28 Zn
51	2	112-04	HHCS 1/4-20 x 3/4 Gr2 Zn	105	4	108-08	Washer .28x.62x.07 Zn
52	1	126-60	Vinyl Strip, 1/2" x 1/4" x 37.5'	106	5	613-145	Dashboard Lights, Hella
53	8	108-59	Lockwasher #10 Int. Tooth Zn	107	1	112-115	Locknut, Nylon M6x1 Zn
54	9	103-47	HHCS 10-24 x 1/2	108	8	127-24	Clamp, Nylon - 1" ID
55	1	113-12	Insert, 1/2-13	109	1	613-149	Wire Harness, EU Light Acc.

8.0 Frame and Drive System

HDi SE Parts Manual



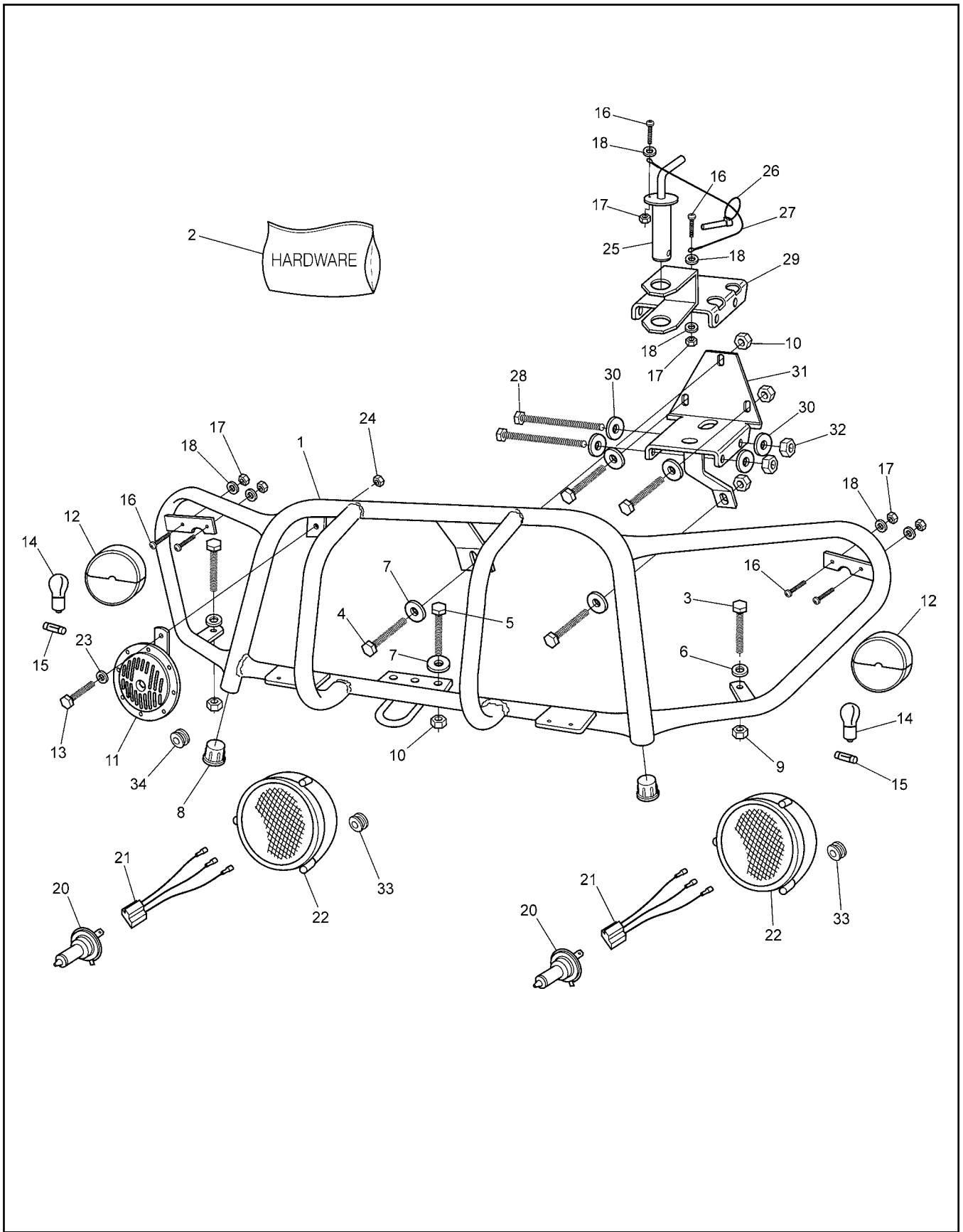
Ref.	Qty.	Part #	Description	Ref.	Qty.	Part #	Description
1	1	804-115	Frame Ass'y, 8x8 HDi - EU	41	1x4	603-84	Con. Link, RC60-1 H.D.
2	4	606-25	Gasket - Bearing Extension	42	6	127-65	Spring Torsion - 1.16x0.35
3	80	117-29	Locknut, Nylon 3/8-16 Zn	43	6	606-44	Slider Block
4	16	108-46	Washer .40 x 1.37 x .12 Hi-Carbon	44	6	606-82	Tensioner Asm, Chain
6	8	101-41	Bearing, Ball - 1.0	45	6	127-64	Spring, Torsion - .76 x 1.9
7	96	108-15	Washer, .42 x .81 x .05 Zn	46	4	603-95	Spring Clip - RC 50 Closed
8	31	103-88	C/Bolt 3/8-16 x 1.0 Gr5 Zn	47	4	603-96	Spring Clip - RC 60 Closed
9	16	606-90	Gasket, Flange - 72mm	48	2	606-93	Flange, Greaseable - 90 Deg. Hd
10	20	606-91	Flange - 4 Hole Hd	50	8	101-95	Bearing, Ball - 1.25 x 72mm
11	10	606-92	Flange, Greasable - 4 Hole Hd	51	16	108-06	Lockwasher 3/8 Split Ring Zn
12	2	101-96	Bearing, Ball - 1.25x1.5 No Grv	53	4	104-35	Pin, Cotter 2mm x 12mm
13	16	112-187	C-Bolt 3/8-16x2.0 Gr5 Zn	54	2	127-188	Link, Con. #60 Lambda
14	8	606-88	Flange Ass'y, Outer Bearing	55	4	810-28	Sprocket, Double - 24T
15	16	103-68	HHCS 3/8-16 x 2.0 Gr5 Zn	57	8	606-89	Carrier, Axle Bearing
16	4	810-112	Bearing Extension w/nuts	59	2	642-47	Tie Down Bracket
17	20	108-34	Washer .47 x .94 x .06 Zn				
18	20	112-181	HHCS 7/16-20 x 1.75 Gr5 Zn				
20	4	810-92	Axle Asm - Front/Rear HD				
21	4	810-113	Axle Asm - Mid HD				
22	5x4	112-183	Stud, Wheel 7/16-20 x 1.5				
24	8	606-34	Sprocket, S60 x 19T				
25	10	112-03	SHSS 5/16-18 x 3/8 1/2 DOG, PL				
26	1		See Section 4.0 Power Pack Ass'y				
27	2	112-60	SHSS 1/4-28 x 1/2 Cup Pt.				
28	12	112-31	HHCS 3/8-16 x 1.0 2B Gr8 Zn				
29	1	112-163	HHCS 3/8-16 x 2.0 Gr5 Zn				
30	4	112-61	C/Bolt 3/8-16 x 1.25 Gr5 Zn				
31		127-80	Link, Half - RC60 - 1 (opt.)				
32	2	603-19	Chain, RC50-2x44P-Front (incl. Ref. 40)				
33	2	803-65	Chain, RC50-2x80P-Middle (incl. Ref. 40)				
34	4	803-57	Chain, RC60-1 x 90P-Rear (incl. Ref. 41)				
35	5x8	117-35	Nut, Wheel 7/16-20 Zn				
36	8	125-26	Valve, Tire				
37	8	127-61BL	Rim - 10 x 9 - Black				
38	8	127-182	Tire, Argo 25x12-9				
39	6	100-01	Pin, Cotter 1/8 x 1.50 Zn				
40	1x4	100-96	Con. Link, RC50-2 H.D.				



Ref.	Qty.	Part #	Description
1	8	108-03	Lockwasher 1/4 Split Ring Zn
2	1	608-135	Frame Assembly, Seat HDi
3	4	112-04	HHCS 1/4-20x3/4 Gr2 Zn
4	1	127-205	Cover, Battery - Euro
5	1	608-59	Neck Assembly, Vented Filler
6	2	608-115	Handrail, Susp. Seat
7	2	608-100	Seat, Suspension
8	1	608-91	Tank, Fuel - Avg
9	1	608-112	Hinge, Susp. Seat Left
10	1	608-111	Hinge, Susp. Seat Right
11	1	608-118	Toolbox, Suspension Seat
12	1		See Section 11.0 Electrical System
13	8	103-08	HHCS 1/4-20x1.0 Zn
14	8	108-08	Washer .28x.62x.07 Zn
15	8	117-27	Locknut, Nylon 1/4-20 Zn
16	1	608-105	Frame Ass'y, Susp. Seat Base
17	1	806-243	Frame Ass'y, Toolbox Support
18	1	608-56	Strap, Battery
19	17	120-09	Rivet 3/16x1 - Black
20	4	112-79	Clamp, Hose, 1/2" - Black
21	1	608-69	Hose, Fuel 5/16" ID x 7.5' - Carb
22	9	120-04	Washer .19 x .50 x .08 Zn
23	2	100-12	Clamp, Gear 2.25" HF-36
24	1	125-94	Hose, Filler
25	10	112-07	RHMS 10-24 x 1.50 Zn
26	1	126-46	Cap, Fuel
27	1	127-21	Hose, Vent - 109"
28	1	126-50	Male Connector, 1/4"
29	6	126-94	Clamp, Nylon Wire - 1/4" ID
30	10	108-42	Washer .21 x 1.0x.06 Zn
31	14	117-10	Locknut, Nylon #10-24 Zn
32	1	117-54	Nut, Locking PAL 1/2-20 Zn
33	7	126-93	Clamp, Nylon Wire - 1/2" ID
34	1	608-86	Pick-up, Fuel, 1/4"x 6.75" (Return Tube)
35	1	608-66	Hose, Fuel 1/4" ID, 80"
36	1	24 393 52	Fuel Pump, EFI
37	1	608-127	Pick-up, Fuel, 5/16 105 Mesh
38	2	117-64	Insert, 1/4-20 Steel Cad Pltg.
39	4	120-13	Rivet, 3/16 x 3/4 Black
40	2	112-182	HHCS, 10-24 x 3/4 Gr2 Zn
41	7	100-101	Clamp, Gear 1/2" HF or MH-4
42	4	112-20	HHCS M8x1,25x25mm Zn
43	4	108-05	Lockwasher 5/16 Split-Ring Zn
44	2	103-97	HHCS 1/4-20x1.25 Gr5 Zn
45	1	24 403 16	Regulator, Fuel Pressure
46	2	112-78	Clamp, Hose, 9/16
47	1	24 050 03	Filter, Fuel Line - EFI - c/w engine
48	2	103-47	HHCS, 10-24 x 1/2
49	1	627-03	Quik Pin 0269167

10.0 Brushguard

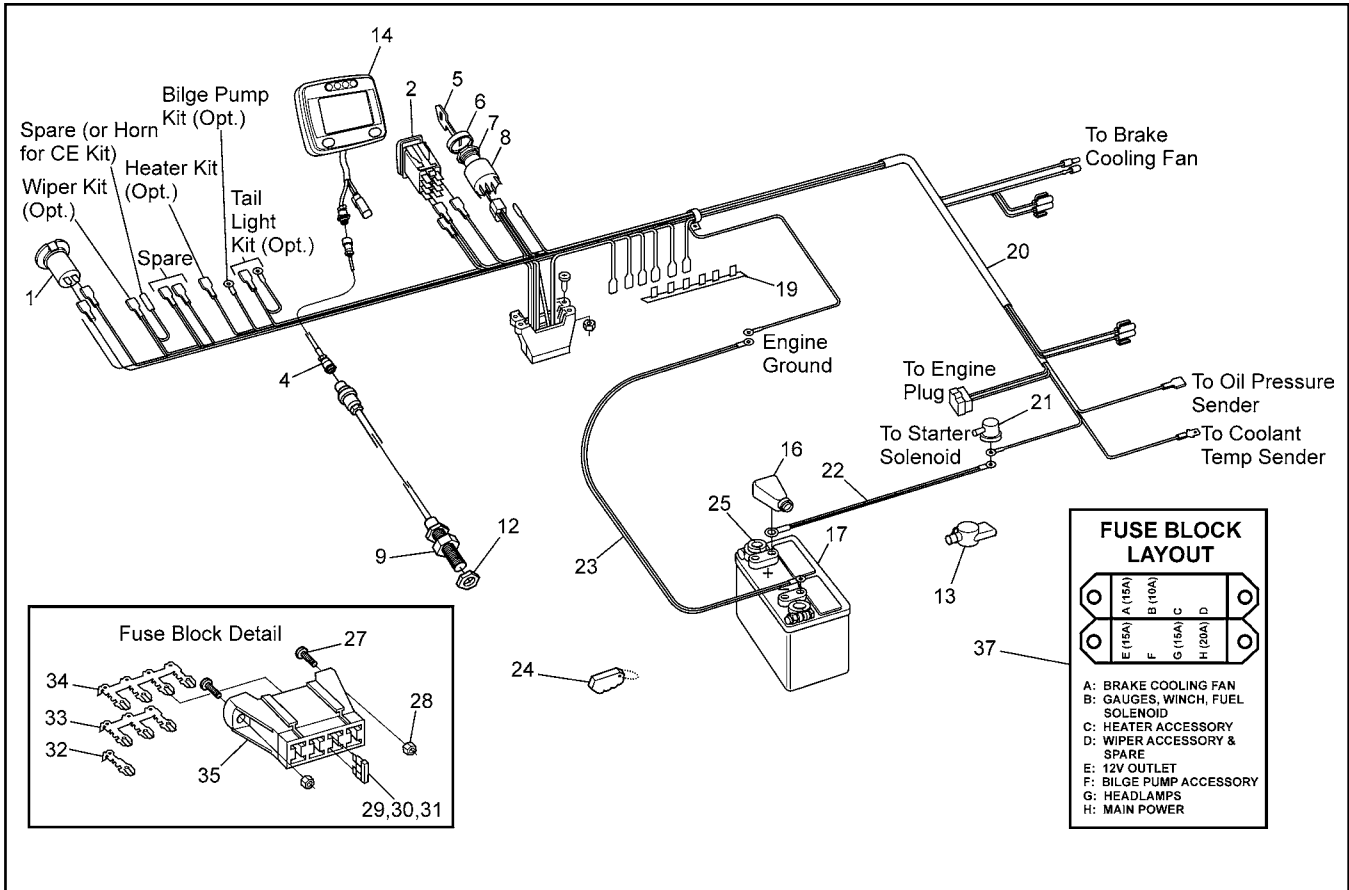
HDi SE Parts Manual



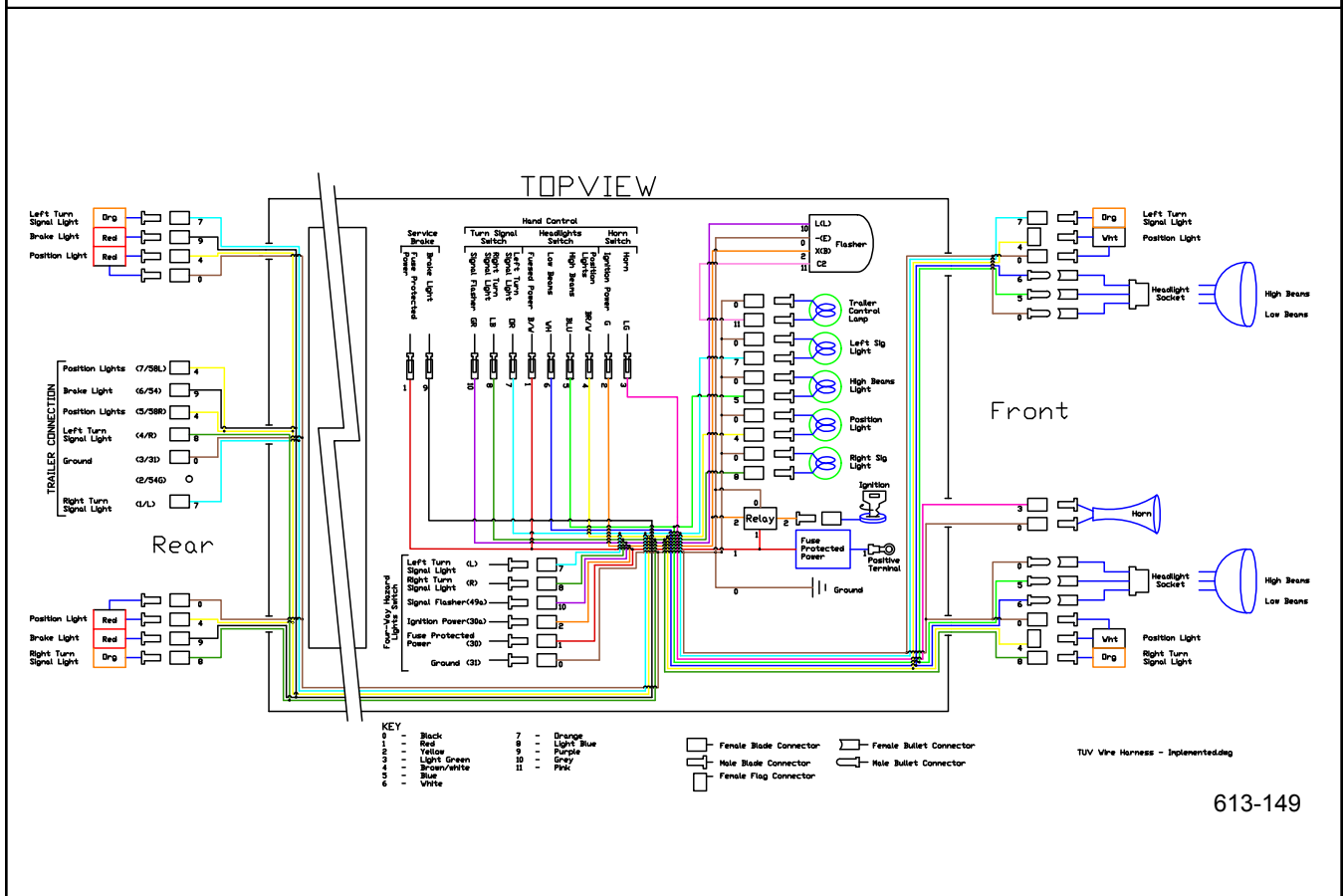
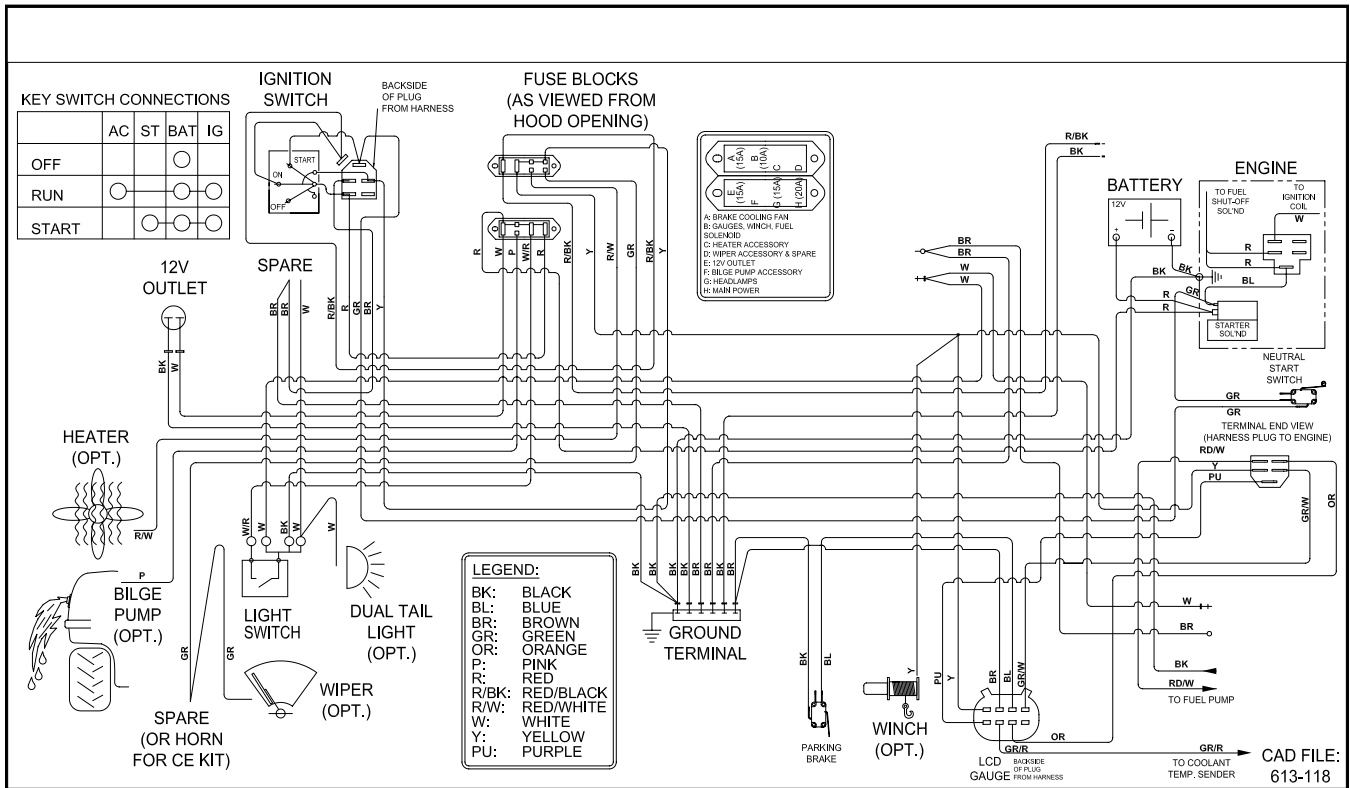
Ref.	Qty.	Part #	Description
1	1	642-61	Brush Guard, Hella Light Acc.
2	1	642-20HDW	Hardware Kit comprised of:
3	2	103-57	HHCS 5/16-18 x 1.5 Gr5 Zn
4	1	103-76	HHCS 3/8-16 x 1.75 Gr5 Zn
5	3	103-82	HHCS 3/8-16 x 1.5 Gr5 Zn
6	2	108-12	Washer .34 x 1.00 x .06 Zn
7	7	108-18	Washer .40 x 1.37 x .12 Zn
8	2	113-13	Plug, 1-1/4" Tube- Avg Brush Guard
9	2	117-21	Locknut, Nylon 5/16-18 Zn
10	4	117-29	Locknut, Nylon 3/8-16 Zn
11	1	613-144	Horn, Hella
12	2	613-142	Turn Signal and Marker, Hella
13	1	103-06	HHCS 5/16-18x1.0 Gr5 Zn
14	2	613-169	Bulb, EU Tail, Turn Signal
15	2	613-170	Bulb, EU Fr Marker
16	7	103-25	PHMS 10-24x3/4 Zn
17	6	117-10	Locknut, 10-24 N/I Zn
18	4	120-05	Washer .19x.50x.04 Zn
19	1	108-05	Lockwasher 5/16 Split-Ring Zn
20	2	613-168	Bulb, EU Headlight
21	2	613-172	Socket, EU Headlight
22	2	613-141	Headlight High Low, M133 Hella
23	1	108-25	Washer .31x.75x.06 Zn
24	1	117-21	Locknut, Nylon 5/16-18 Zn
25	1	622-124	Pin Ass'y, Front Hitch EU
26	1	104-11	Pin, Lynch - Ring
27	1	622-125	Lanyard, Front Hitch EU
28	2	112-91	HHCS M10x1,5x150mm Zn
29	1	622-120	Front Hitch, Ass'y EU
30	4	108-23	Washer .42x.81x.06 Gr8 Zn Di-C
31	1	622-112	Receiver Ass'y, Front Winch
32	2	117-60	Locknut, Nyloc M10x1.5mm Zn 8
33	2	127-132	Grommet, Rubber - 1/2" ID
34	1	125-84	Grommet, Rubber

11.0 Electrical System

HDi SE Parts Manual



Ref.	Qty.	Part #	Description	Ref.	Qty.	Part #	Description
1	1	613-90	Outlet, 12 Volt DC	27	2	112-51	Screw, IHWH T/C #10-24 x 5/8
2	1	613-153	Switch, Light	28	4	117-10	Locknut, Nylon #10-24 Zn
4	1	613-128	Cable, Extension, Speedo Pickup	29	1	118-52	Fuse, 10A 2 Prong (AT010)
5	2	127-108	Key, Molded	30	3	118-49	Fuse, 15A 2 Prong (AT015)
6	1	127-107	Bezel - Cover, Nut	31	1	118-53	Fuse, 20A 2 Prong (AT020)
7	1	127-106	Nut, Flanged - Plastic	32	9	118-62	Terminal - Fuse, single
8	1	127-105	Switch - Ignition	33	1	118-63	Terminal - Fuse, triple
9	1	613-126	Sensor, Speedo Pickup	34	1	118-61	Terminal - Fuse, quad
12	1	117-87	Nut, M12 x 1.25, Zn	35	2	118-60	Block - Fuse, 8 position (4 fuse)
13	1	613-124	Insulator, 2 Way w/cap, Red	37	1	127-143	Label, Fuse Panel - Kohler
14	1	613-130	Gauge, LCD				
16	1	127-55	Cap, Battery Terminal - Red				
17	1	127-54	Battery, Exide 45-60				
	1	613-161	Battery, Optima - Argo (Opt.)				
19	2	613-37	Terminal Strip, Ground				
20	1	613-117	Wire Harness, Kohler 26HP				
21	1	613-46	Insulator, Terminal (2 ga.)				
22	1	613-94	Wire, Positive Battery				
23	1	613-95	Wire, Negative Battery				
24	1	681-00	FOB, Key - Floating				
25	2	127-56	Terminal, Battery Post				



ARGO Products Manufactured by:

Ontario Drive & Gear Limited

220 Bergey Court

New Hamburg, Ontario

Canada N3A 2J5

Phone: (519) 662-2840

Fax: (519) 662-2421

www.argoatv.com

ODG *Dedicated to quality and performance*