

Argo 8x8
750 HDi



Argo 8x8
700 HD

Argo 8x8

PARTS MANUAL

From Serial # ...34521

Foreword

ODG has prepared this parts manual for the HDi/HD models to assist both qualified mechanics and vehicle owners in ordering correct, quality replacement ARGO parts. For the most current parts manual visit our website at www.argoatv.com.

Proper and regular service, and replacing old, worn or broken parts with the correct ARGO replacement parts, are both essential to prolonging the life of the ARGO. Please refer to this parts manual and/or our website www.argoatv.com before ordering any replacement part.

All information contained in this HDi/HD Parts Manual is based on the latest product specification available at time of printing. If your HDi/HD differs from the specifications contained in this manual, check our website www.argoatv.com for the most current information.

ODG reserves the right to alter specifications on the HDi/HD models at any time, without obligation or prior notification.

Reproduction of this HDi/HD Parts Manual, in whole or in part, is prohibited without prior written permission from Ontario Drive & Gear Limited.

Vehicle Identification

HDi - Serial Nos. ...34521

Explanation of Parts Manual Format

Ref - Reference number between assembly diagram and component parts list

Part No. - Argo replacement part number for identification and re-ordering

Description - Part description for identification and re-ordering

Qty - Indicates the quantity of a part used in an assembly

ARGO 8x8

750 HDi

ARGO 8x8

700 HD



Using the Parts Manual

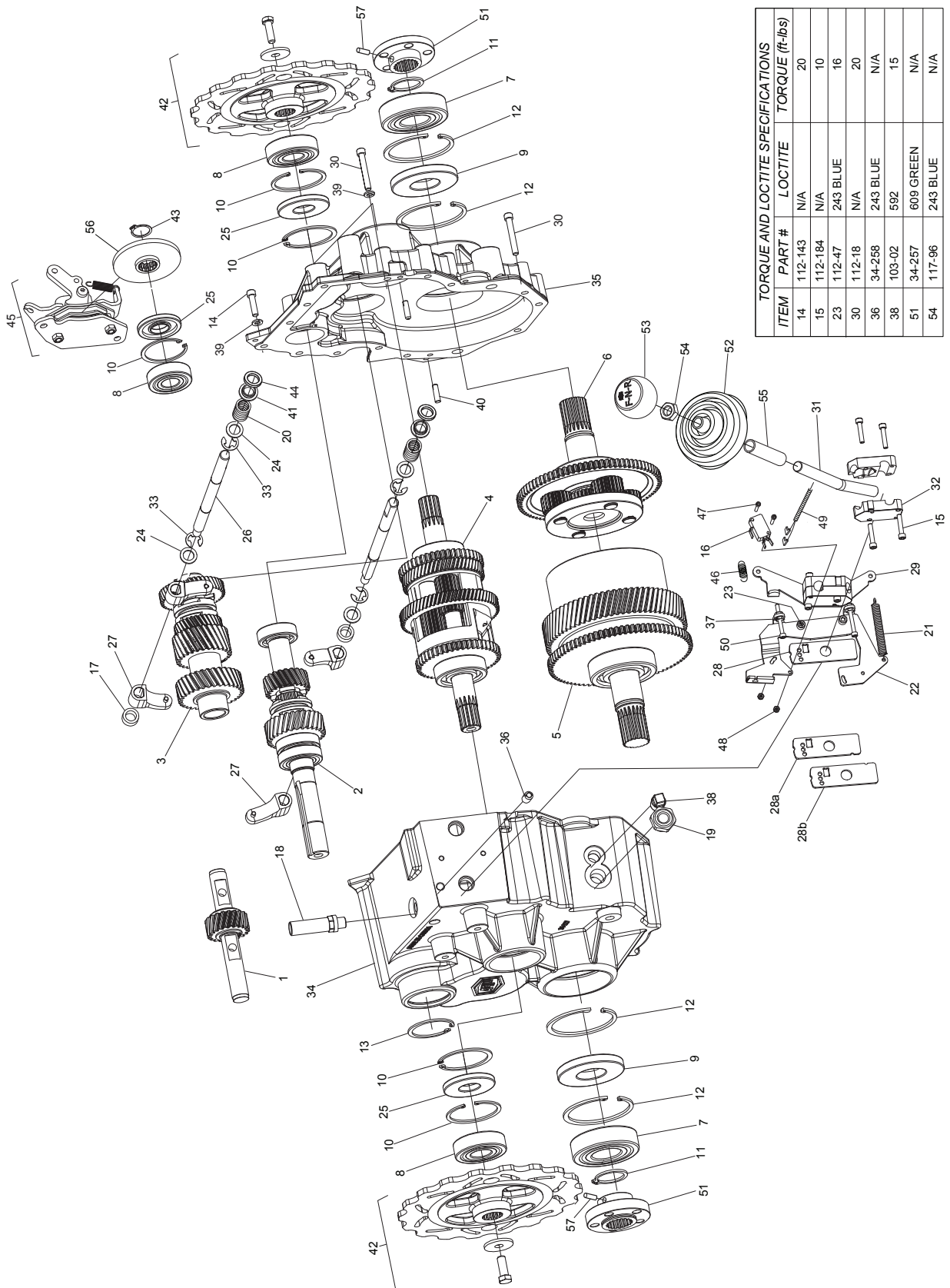
1. Find the major vehicle assembly in the Table of Contents on this page, and turn to that section.
2. Locate the part in the illustration that you wish to order.
3. Refer to the parts list in that section.
4. Find the correct part number (Part No.), part description (Description) and correct quantity (Qty).
5. Use *only* this information to order ARGO replacement parts. **DO NOT** attempt to order a replacement part by reference number or page number.

Table of Contents

Foreword	i
Vehicle Identification.....	i
Using the Parts Manual	ii
1.0 Transmission	1
1.1 Transmission Sub-Assemblies	3
2.0 Intake and Exhaust System.....	5
3.0 Clutch System	7
4.0 Power Pack Assembly	9
5.0 Steering & Brake System	11
6.0 Parking Brake	13
7.0 Vehicle Body & Firewall.....	15
8.0 Frame & Drive System	17
9.0 Fuel System & Seat Assembly	19
10.0 Electrical System	21
11.0 LX Model	23
12.0 Hunt Master Model.....	25
13.0 Bead Lock Wheel Option.....	27
14.0 LS Option	28

1.0 Transmission

HDi/HD Parts Manual



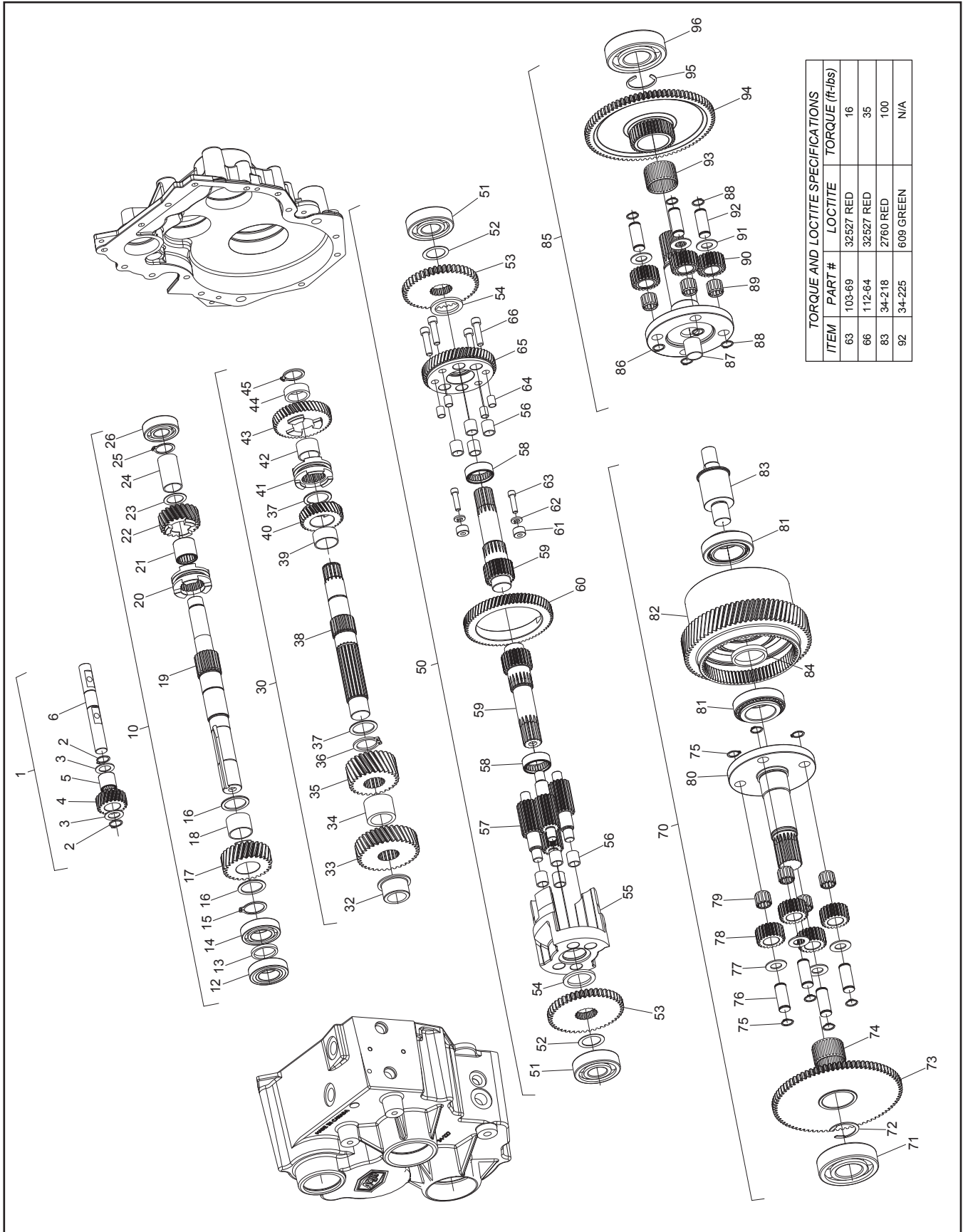
HDi/HD Parts Manual

1.0 Transmission

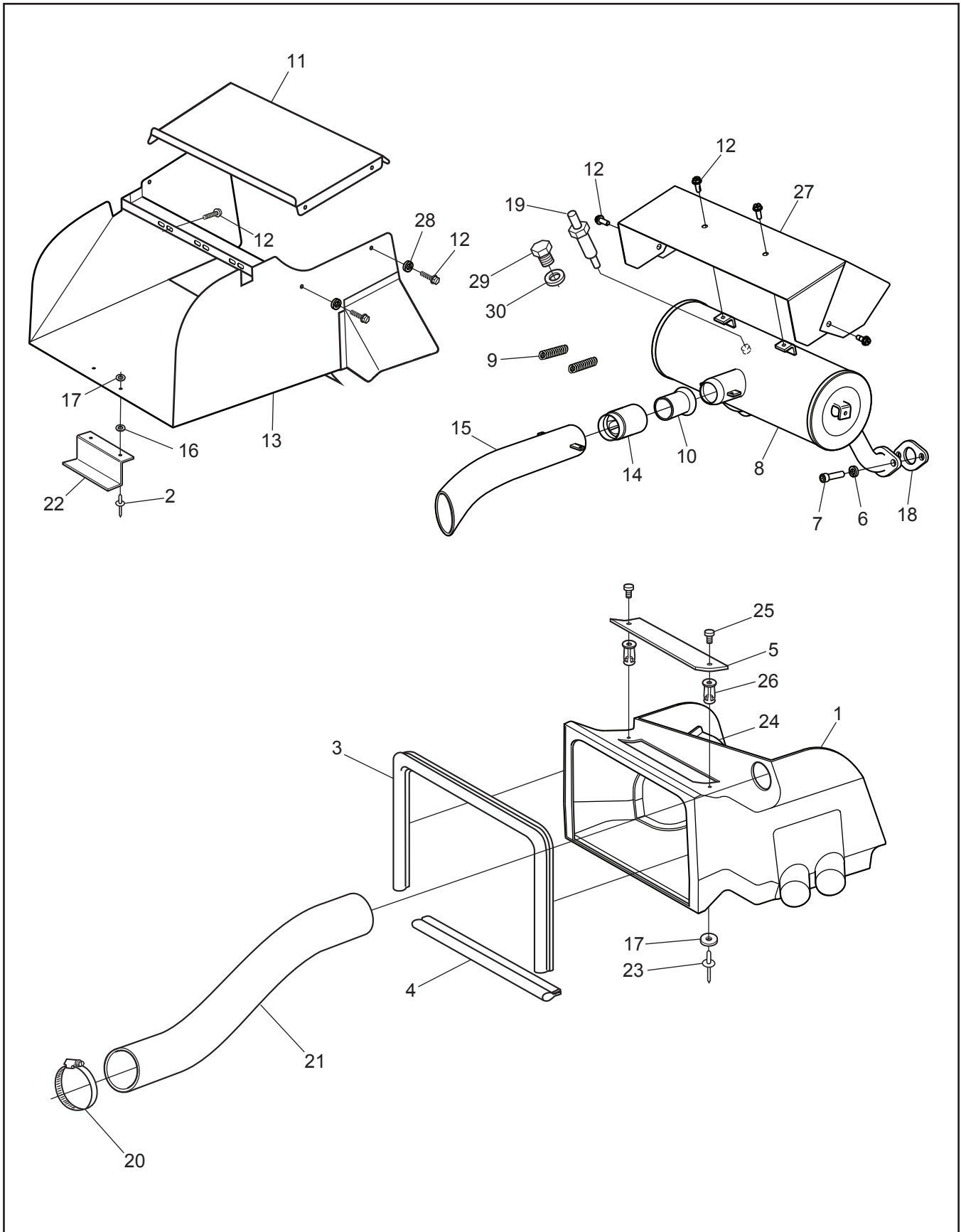
Ref.	Qty.	Part #	Description	Ref.	Qty.	Part #	Description
	1	34-200-6.4	Transmission Admiral 6.4	43	1	106-29	Retaining Ring SH-0093-PA
		-FG		44	2	102-36	Seal, Shift Shaft - 0.5 x .75 x .125
	1	34-200-6.4	Transmission Admiral 6.4 LS				See Section 6.0 Parking Brake
		-LS		45			
	1	34-200-8.4	Transmission Admiral 8.4	46	1	127-195	Spring, Ext., .75 x 2.73
		-FG		47	2	112-172	SHCS 5-40 x 3/4 Zn
1-6			See Section 1.1 Trans. Sub Assemblies	48	2	112-173	Locknut, #5-40 Zn
7	2	101-81	Bearing, Ball 6307 ZZE	49	1	613-112	Wire Harness, Neutral Start
8	3	101-86	Bearing, Ball 6305 Zz	50	2	112-195	SHCS 8-32 x 1.5 Stainless
9	2	102-33	Seal, Oil 35x80x10	51	2	34-262	Coupler, Output Shaft, Pinned
10	5	106-05	Retaining Ring HO-244-PA				
11	2	106-23	Retaining Ring SH-0137-PA	52	1	609-44	Boot, F-N-R Shifter
12	4	106-24	Retaining Ring H0-312-PA	53	1	127-226	Knob, Shift F-N-R - HD
13	1	106-26	Retaining Ring H0-206-PA	54	1	117-96	Nut, Jam 1/2-13
14	10	112-143	SHCS 5/16 x 1.25 Zn	55	1	127-228	Sleeve, Insulating - 2.75"
15	8	112-184	SHCS, 10-32 x 1	56	1	165-52	Rotor, E-Brake
16	1	613-151	Switch, Micro, Roller Lever	57	2	104-75	Pin, Spring, 3/16x13/16 Zn
17	2	114-21	Spacer, .51x.75x.36				
18	1	34-245	Plug, Fill/Vent 1/2 BSPP				
19	1	34-251	Site Glass, 1/2 BSP Aluminum				
20	2	127-186	Spring, Comp. 0.70x1.28				
21	1	127-194	Spring, Ext .360x3.0				
22	1	34-241	Bracket, Switch, Spring Mount				
23	2	112-47	SHCS 1/4-20 x 1.0 Zn				
24	4	108-35	Washer .53x1.06x.09 Zn				
25	3	102-37	Seal, Oil 25x62x7				
26	2	34-231	Shaft, Shift - F-N-R				
27	4	34-232	Fork, Shift - Half				
28	1	34-233	Plate, Detent				
28a	1	34-233L	Plate, Detent, Left Adj.				
28b	1	34-233R	Plate, Detent, Right Adj.				
29	1	34-242	Bracket, Spring Mount				
30	8	112-18	SHCS 5/16x2.25				
31	1	34-235	Lever, Shaft - F-N-R				
32	4	34-236	Clamp, Lever Shaft				
33	4	106-30	Retaining Ring E-0050 E				
34	1	34-227	Housing, Admiral, Left (includes Ref. # 36)				
	1	34-227-LS	Housing, Admiral, Left-LS (includes Ref. # 36)				
35	1	34-228	Housing, Admiral, Right				
	1	34-228-LS	Housing, Admiral, Right-LS				
36	1	34-258	Plunger, Ball - Nose Spring				
37	4	117-92	Nut, Hex Machine #8-32 Zn				
38	1	103-02	Plug, Magnetic 3/8-18Npt Sq. Hd				
39	11	108-05	Lockwasher 5/16 Split-Ring Zn				
40	2	104-03	Pin, Dowel 1/4x7/8				
41	2	105-33	Bushing, Flange				
42			See Section 4.0 Power Pack				

1.1 Transmission Sub-Assemblies

HDi/HD Parts Manual

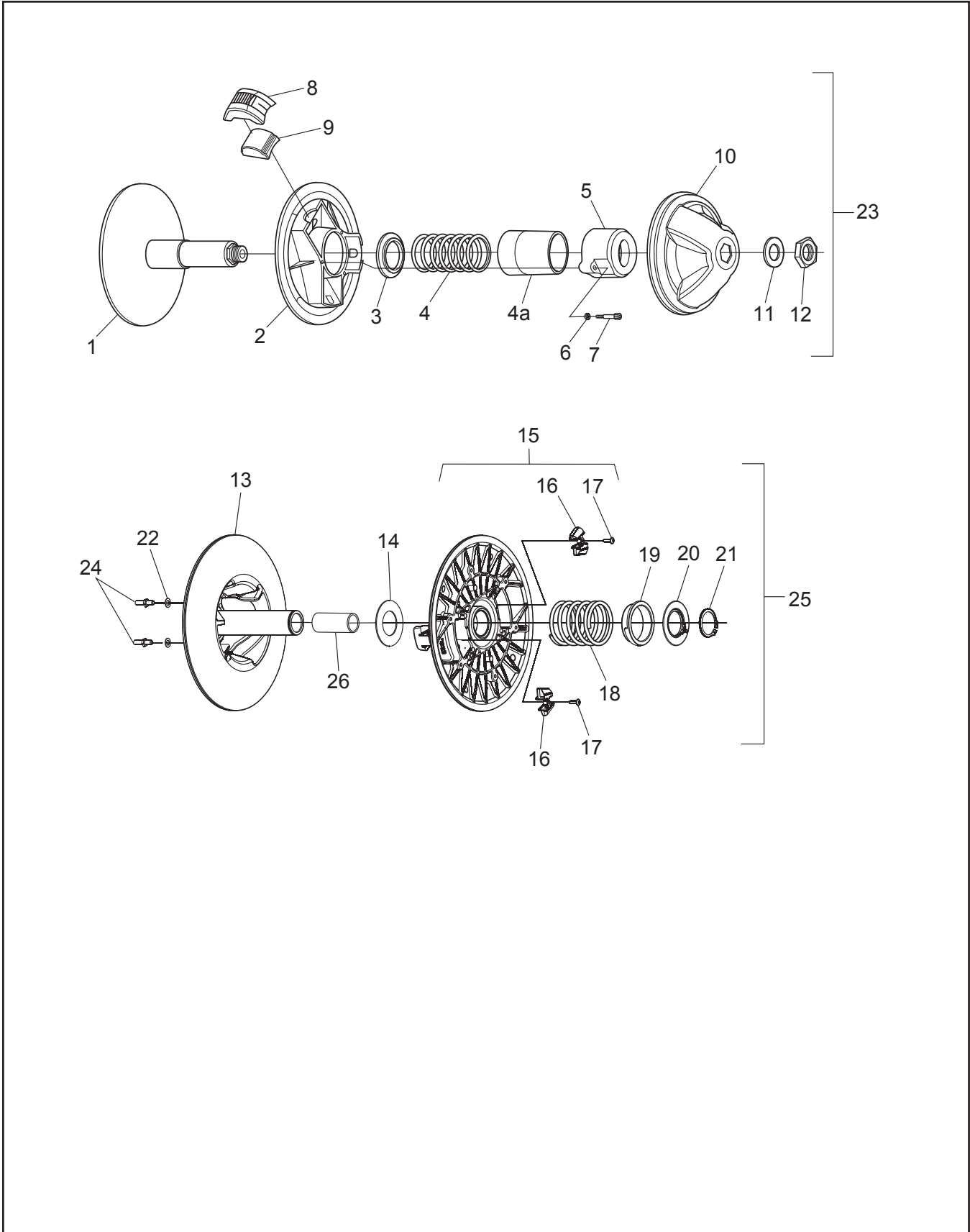


Ref.	Qty.	Part #	Description	Ref.	Qty.	Part #	Description
1	1	34-290	Asm, Reverse Shaft - Adm. includes:	57	4	34-202	Gear, Planet - 15T
2	2	106-25	Retaining Ring SH-0078-PA	58	2	101-84	Bearing, Needle HK3012
3	2	108-99	Washer, Thrust .79x1.25 x .06	59	2	34-201	Shaft, Brake
4	1	34-220	Pinion, Idler - 20T	60	1	34-205	Gear, Helical - 67T
5	1	101-87	Bearing, Needle HMK20x27x25	61	2	105-28	Bushing, Dowel .26x.625x.36
6	1	34-221	Shaft, Shift - Reverse	62	2	108-03	Lockwasher 1/4 Split Ring Zn
10	1	34-291	Asm, Input Shaft includes:	63	2	103-69	SHCS, 1/4-20 x 1.5 Zn
12	1	101-89	Bearing, Ball 60/28 Llu	64	4	105-23	Bushing, Dowel - .312 x .5
13	1	114-19	Spacer, 1.12x1.375x.148	65	1	34-204	Gear, Helical - 55T
14	1	101-88	Bearing, Ball 60/28	66	4	112-64	SHCS 5/16 x 18 x 1.25
15	1	106-27	Retaining Ring SH-112-PA	70	1	34-294	Asm, Output Shaft LH-Adm. includes:
16	2	108-98	Washer, Thrust 1.13x1.46x.062	1	1	34-294-LS	Asm, Output Shaft LH-Adm. includes:
17	1	34-247	Pinion, For.-29T,12Dp-6.4 Ratio	71	1	101-73	Bearing, Ball 6307 CL.N.
18	1	34-249	Pinion, For.-25T,12Dp-8.4 Ratio	72	1	106-31	Retaining Ring C-0137
19	1	105-32	Bushing, Bronze 1.125x1.25x.875	73	1	34-207	Gear, Sun - 81T, 35T
20	1	34-213	Shaft, Input	1	1	34-207-LS	Gear, Sun - 84T, 35T
21	1	34-224	Collar, Shift, For-Rev	74	1	101-83	Bearing, Needle KJ37x42x27S
22	1	101-90	Bearing, Needle HK2220	75	8	106-22	Retaining Ring SH-0056-PA
23	1	34-214	Pinion, Reverse - 21T,12Dp	76	4	34-225	Pin, Planet Carrier
24	1	114-17	Washer, Thrust .866x1.181x.039	77	4	108-93	Washer, .59x1.10x.06
25	1	114-18	Spacer, .865x1.0x1.75	78	4	34-217	Gear, Planet - 21T
26	1	106-25	Retaining Ring SH-0078-PA	79	4	101-82	Bearing, Needle KM J15x21x17S
26	1	101-01	Bearing, Ball 6204Z-C3	80	1	34-263	Carrier Shaft, Grooved LH
30	1	34-295	Asm, Idler Shaft includes:	81	2	101-76	Bearing, Tapered Roller 32008X
32	1	105-30	Bushing, Flanged 1x1.375	82	1	34-219	Planetary Hub
33	1	34-246	Gear, Helical - 33T- 6.4 Ratio	83	1	34-218	Shaft, Planetary Stub
34	1	34-248	Gear, Helical - 37T- 8.4 Ratio	84	1	114-22	Spacer, 1.585x1.75x.245
35	1	108-96	Spacer, 1.125x1.5x1.083	85	1	34-293	Asm, Output Shaft RH - Adm. includes:
36	1	34-209	Pinion, Helical - 27T	1	1	34-293-LS	Asm, Output Shaft RH - Adm. includes:
37	1	106-28	Retaining Ring SHR-0112-PA	86	1	34-264	Carrier Shaft, Grooved RH
38	2	108-98	Washer, Thrust 1.13x1.46x.062	87	1	105-26	Bushing, Oilite .75x.875x.875
39	1	34-208	Shaft, Idler	88	8	106-22	Retaining Ring SH-0056-PA
40	1	105-31	Bushing, Bronze 1.125x1.25x.625	89	4	101-82	Bearing, Needle KM J15x21x17S
41	1	34-210	Pinion, Helical - 31T	90	4	34-217	Gear, Planet - 21T
42	1	34-223	Collar, Shift, Hi-Low	91	4	108-93	Washer, .59x1.10x.06
43	1	105-29	Bushing, Oilite 1.0x1.125x.75	92	4	34-225	Pin, Planet Carrier
44	1	34-212	Pinion, Helical - 43T	93	1	101-83	Bearing, Needle KJ37x42x27S
45	1	108-97	Spacer, 1.01x1.3x.409	94	1	34-207	Gear, Sun - 81T, 35T
45	1	107-15	Retaining Ring SHR-98-PA	1	1	34-207-LS	Gear, Sun - 84T, 35T
50	1	34-292	Asm, Differential - Adm. includes:	95	1	106-31	Retaining Ring C-0137
51	2	101-40	Bearing, Ball 6305 Open	96	1	101-73	Bearing, Ball 6307 CL.N.
52	2	114-16	Washer, SHIM .99x1.375x.030				
53	2	34-203	Pinion, Spur - 46T				
54	2	34-203-LS	Pinion, Spur - 43T				
55	2	108-94	Washer, Thrust 1.25x1.688x.125				
55	1	34-206	Cage, Differential				
56	8	105-27	Bushing, Oilite .5x.625x.625				



Ref.	Qty.	Part #	Description
1	1	809-03	Duct, Intake
2	2	120-13	Rivet, 3/16 x 3/4 - Black
3	2	809-166-35	Seal, 35" Long
4	2	809-06	Seal, Radiator - 16.25" LG
5	1	601-111	Cover Plate, Intake Duct
6	4	108-02	Lockwasher 5/16 Hi-Collar Bare
7	4	112-30	SHCS M8 x 1,25 x 20mm Zn
8	1	607-121	Muffler Ass'y, EFI
9	2	127-187	Spring, Extension - 17/32 x 3.75
10	1	607-135	Tube, Muffler, Flared x 2.0
11	1	607-190	Shield, Duct Exhaust Upper
12	11	112-19	Screw, IHWH T/C Slot 1/4-20 x 1/2
13	1	607-167	Duct, Exhaust, Avenger
14	1	607-171	Spark Arrestor, ODG
15	1	607-134	Pipe, Tail - Ass'y
16	2	125-58	Washer, Fibre - W-77F
17	12	120-04	Washer, .19 x .50 x .08 Zn
18	2	24 041 49	Gasket, Exhaust Manifold
19	1		See Section 4.0 Power Pack Assembly
20	1	100-128	Clamp, Gear 2.25"
21	1	848-194	Hose, Intake Flex 2" Dia. x 24"
22	1	607-170	Support, Exhaust Duct - Avenger
23	13	120-09	Rivet, 3/16 x 1.0 Black
24	1	809-04	Shroud, Intake Duct
25	2	117-89	Thumbscrew, 1/4-20 x 1, Nylon
26	2	117-53	Nut, Jack 1/4-20 8L-Jns Zn
27	1	607-123	Shield, Muffler Heat
28	4	108-03	Lockwasher 1/4 Split Ring Zn
29	1	607-211	Plug, Threaded - O2 Sensor
30	1	114-34	Washer, Copper - O2 Plug

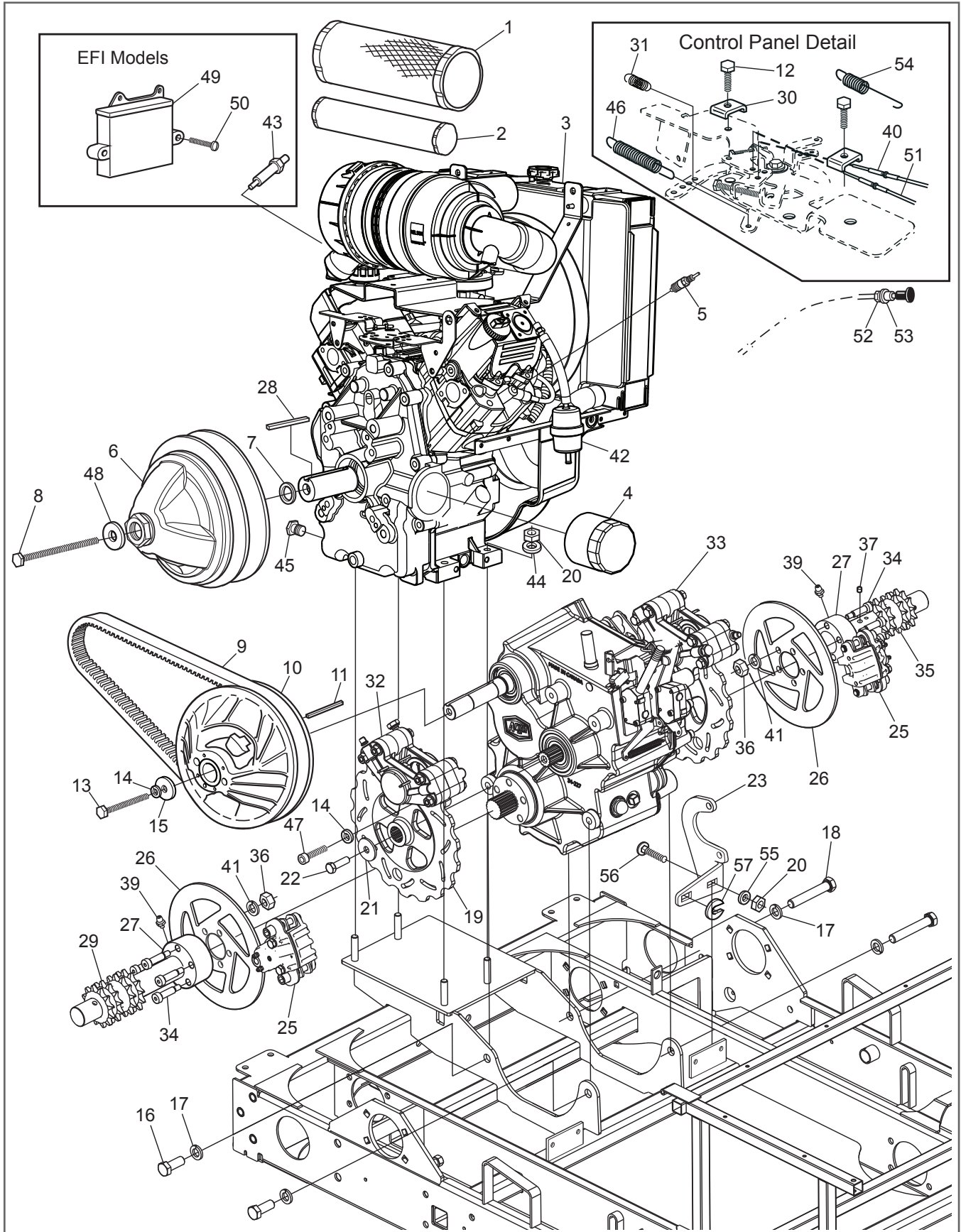
3.0 Clutch System



Ref.	Qty.	Part #	Description
1	1	0405-0138	Flange, Fixed
2	1	0410-0033	Flange, Sliding
3	1	0150-1014	Spring Guide Washer
4	1	1151-1114	Spring
4a	1	0450-3002	Guide, Spring
5	1	0440-0005	Spring Cover
6	3	0080-0167	Lockwasher
7	3	0080-0021	Screw, Cap
8	3	0130-3012	Block
9	3	0135-3061	Weight (230gr) - EFI Model
	3	0135-3065	Weight (275gr) - 700 Models
	1	127-208	Weight Set (3), 185g - High Elevation (See Bulletin NP #5)
	1	127-209	Weight Set (3), 220g - High Elevation (See Bulletin NP #5)
	1	127-210	Weight Set (3), 240g - High Elevation (See Bulletin NP #5)
10	1	0115-2061	Cap
11	1	0080-0804	Washer, Zn
12	1	V16J1	Nut
13	1	5905-0003	Flange, Fixed
14	1	0080-0164	Washer, Shim
15	1	5910-0002	Flange, Sliding
16	2	5930-3001	Cam Shoe
17	2	0080-0031	Screw
18	1	5951-1009	Spring
19	1	5950-3003	Spring Protector
20	1	5950-3002	Spring Support
21	1	0080-0216	Retaining Ring, Outside
22	2	0080-0167	Lockwasher
23	1	610-128	Clutch, Driver - EFI Models
	1	610-126	Clutch, Driver - 700 Models
24	2	0080-0035	Screw & Nut Ass'y
25	1	127-156	Clutch, Driven - INVANCE
26	1	5940-2001	Keyway Stopper

4.0 Power Pack Assembly

HDi/HD Parts Manual



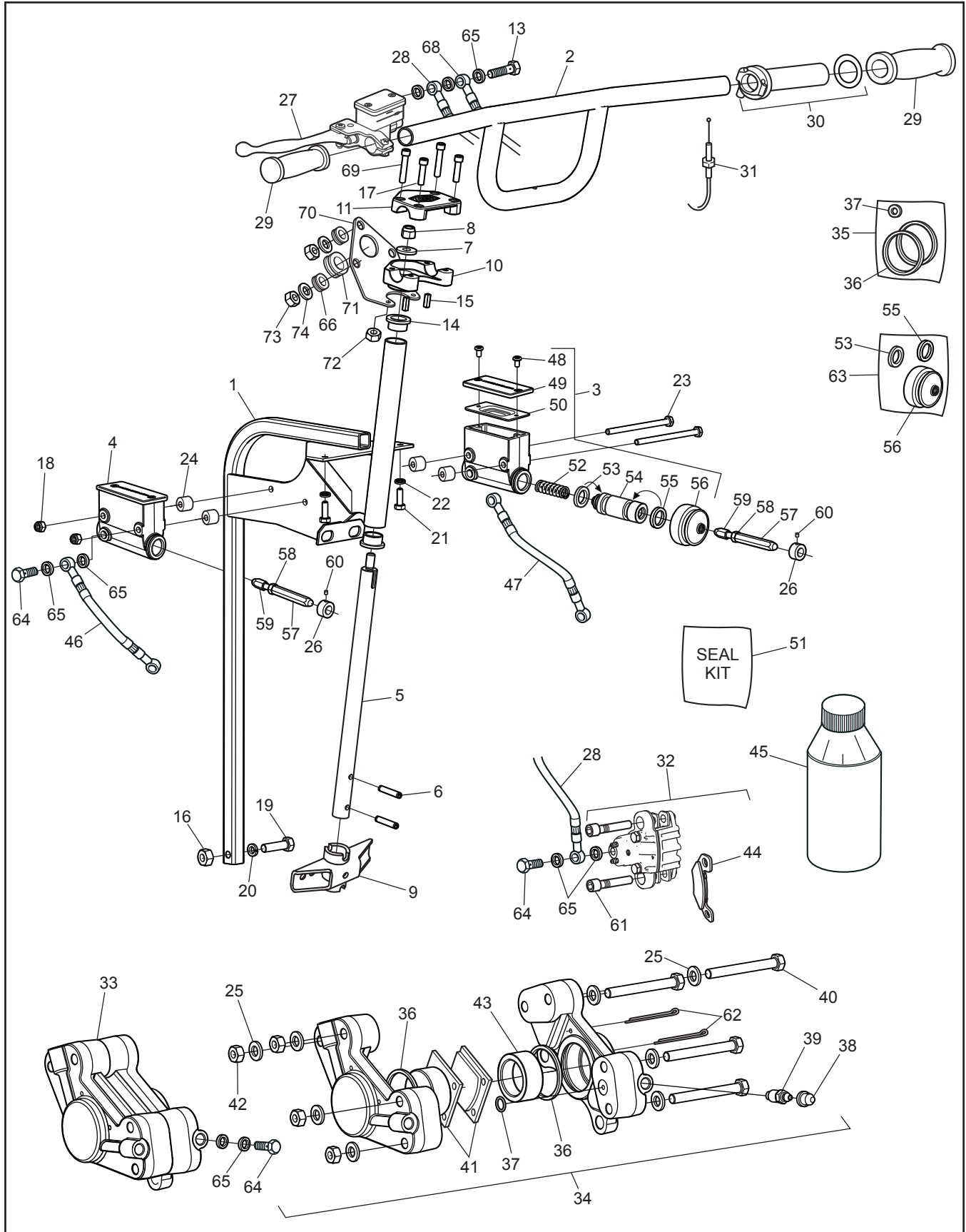
HDi/HD Parts Manual

4.0 Power Pack Assembly

Ref.	Qty.	Part #	Description	Ref.	Qty.	Part #	Description
1	1	25 083 01	Filter, Air	32			See Section 5.0 Steering & Brake System
2	1	25 083 04	Element, Inner	33			
3	1	LH775-3012	Kohler 30 HP Engine, EFI				See Section 5.0 Steering & Brake System
	1	LH690-3017	Kohler 24 HP Engine				
4	1	12 050 01	Filter, Oil	34	10	112-201	Bolt, Shoulder M10 x 45
5		127-193	Sparkplug, RC14YC	35	1	810-115	Shaft, Idler Spline, Short 11T
6			See Section 3.0 Clutch System		1	810-115-LS	Shaft, Idler Spline, Short 12T
7	1	108-84	Washer, Engine Clutch	36	10	117-77	Locknut, Nylon - M8 x 1,25mm Zn8
8	1	112-160	HHCS, 7/16-20 x 5.0" Lg	37	1	613-127	Magnet, Speedometer
9	1	127-137	Drive Belt - 10.5" Cen. Dist	39	2	100-127	Fitting, Grease STR 1/4-28 TPR (From S.N. 31096)
	1	127-137HD	Drive Belt - Avg/HDi Heavy Duty (Opt.)	40	1	612-101	Cable Asm., Throttle
10			See Section 3.0 Clutch System	41	10	108-05	Lockwasher 5/16 Split-Ring Zn
11	1	110-03	Key 1/4 x 3/16 x 2.375 RC46	42	1	125-64	Filter, Fuel
12	1	M-545016	Screw, Clamp Cable (Kohler #)	43	1	24 418 05	Sensor, Oxygen
13	1	112-164	HHCS 3/8-16 x 3.5 Gr5 Zn	44	4	108-26	Washer, .43 x 1.02 x .09 Zn
14	6	108-06	Lockwasher 3/8 Split Ring Zn	45		112-156	Plug, Oil Drain 3/8-18 NPT Hex
15	1	108-46	Washer .40 x 1.37 x 1.2 Hi-Carbon	46	1	24 089 46	Spring, Governer (Kohler #)
16	2	112-189	HHCS 1/2-13 x 1.25 Gr5 Zn	47	4	103-41	SHCS 3/8-16x1.25 Zn
17	4	108-107	Lockwasher 1/2" High Alloy	48	1	108-58	Washer, .47 x 1.37 x 12 Hi-Carbon
18	2	112-190	HHCS 1/2-13 x 3.0 Gr5 Zn	49	1	66 584 05	ECU (c/w engine)
19	2	165-22	Disc, Brake - Admiral	50	2	112-161	PHMS, 10-24 x 2.5
20	8	117-118	Locknut, Nylon 3/8-16 Flanged	51	1	612-92	Cable Ass'y, Choke
21	2	108-18	Washer .40 x 1.37 x .12 Zn	52	1	117-68	Nut, Jam 3/8-24 UNF Zn
22	2	103-60	HHCS 3/8-24 x 1 Gr5	53	1	108-32	Lockwasher 3/8 Int. Tooth
23	1	165-54	Brkt, Caliper HD RH	54	1	127-49	Spring, Extension
24	1	165-53	Brkt, Caliper HD LH (not shown)	55	4	108-47	Washer .39x.94x.13 Zn
25			See Section 5.0 Steering & Brake System	56	4	103-88	C/Bolt 3/8-16x1.0 Gr5 Zn
26	2	165-25	Disc, Brake, Service	57		114-03	Shim, 1/32 Thick (as required)
27	2	810-117	Coupler, Idler Shaft				
28	1	110-18	Key 1/4 x 1/4 x 1.75				
29	1	810-116	Shaft, Idler, Spline, Long 11T				
	1	810-116-LS	Shaft, Idler, Spline, Long 12T				
30	1	12 237 01	Clamp, Cable (Kohler #)				
31	1	24 089 51	Spring, Throttle (Kohler #)				

5.0 Steering & Brake System

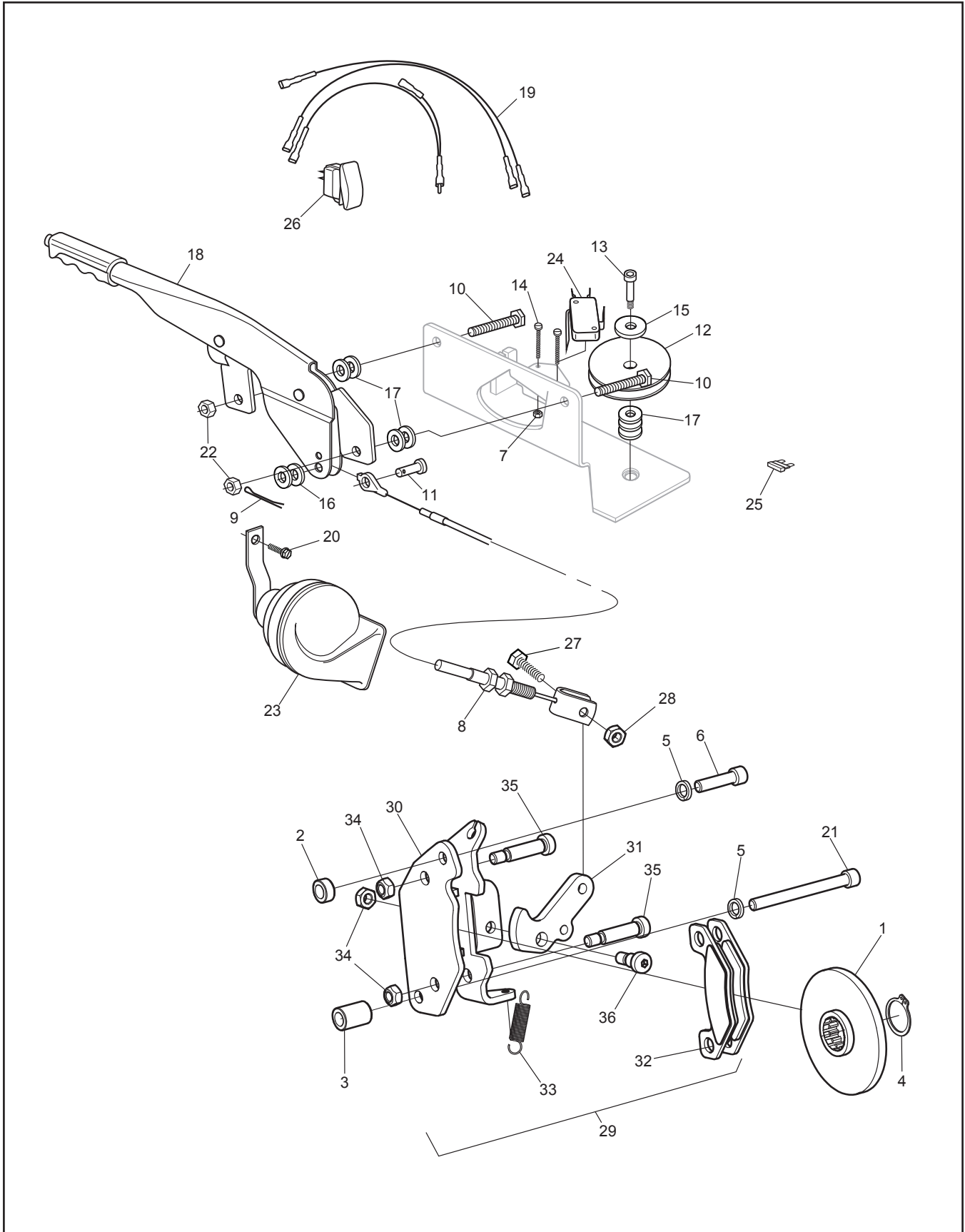
HDi/HD Parts Manual



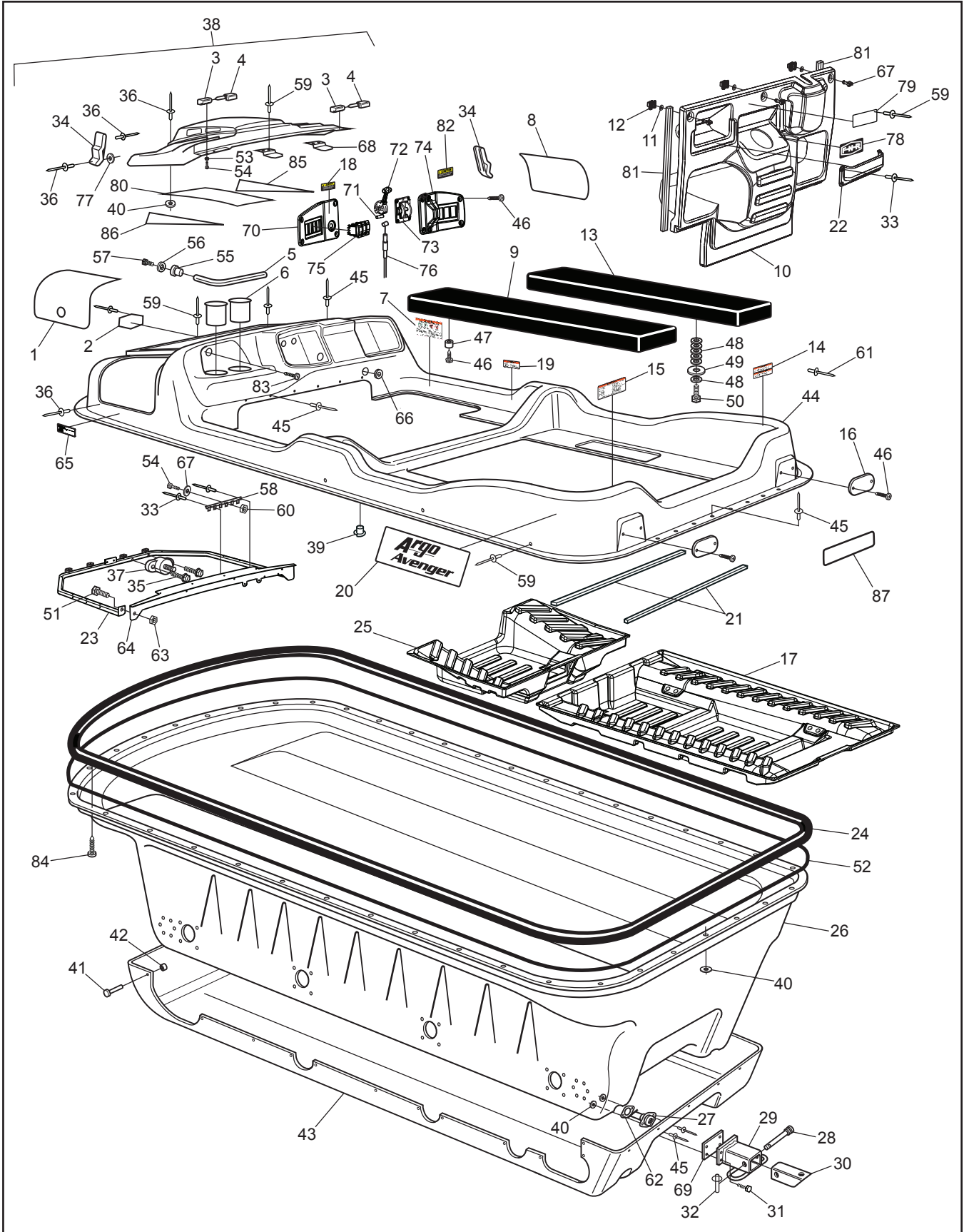
Ref.	Qty.	Part #	Description	Ref.	Qty.	Part #	Description
1	1	612-133	Frame Ass'y- Steering Column HDi	45		126-19	Fluid, Brake-Silicon Dot 5 - .35L
2	1	612-107	Handlebar Assembly	46	1	163-05	Hose Asm, Hydraulic - Left
3	1	165-58	Master Cylinder, RH Wilwood	47	1	163-06	Hose Asm, Hydraulic - Right - SS
4	1	165-57	Master Cylinder, LH Wilwood	48	2x2	160-42	Screw, FHMS M5 x 0,8 x 6mm
5	1	612-128	Shaft, Steering - Avenger	49	2x1	168-08	Cover
6	2	104-42	Pin, Spring 1/4 x 1.5"	50	2x1	168-09	Cover, Rubber
7	1	108-47	Washer, .39 x .94 x .13 Zn Di-chr	51	1	165-37	Piston Seal Kit - Wilwood
8	1	117-29	Locknut, Nylon 3/8-16 Zn	52	2x1	162-08	Spring, Comp. 17.3 x 49.3mm
9	2	612-124	Arm, Steering	53	2x1		Seal, Primary, 19mm (See Ref. 63)
10	1	612-106	Clamp, Lower Handlebar	54	2x1	168-10	Piston 19mm dia.
11	1	612-105	Clamp, Upper Handlebar	55	2x1		Seal, Secondary, 19mm (See Ref. 63)
12	1	106-07	Ring, Retaining SH-0075PA	56	2x1		Boot, Rubber (See Ref. 63)
13	1	112-194	Bolt, Banjo, M10x1.0, Double	57	2	812-30	Pin, Female
14	2	105-16	Bushing, Oilite - 3/4 x 1/2	58	2	117-03	Nut, Fin Hex 1/4-20 Zn
15	2	110-17	Key, 3/16 x 3/16 x .625	59	2	812-31	Fin, Male
16	1	117-21	Locknut, Nylon 5/16-18 Zn	60	2	112-02	SHSS 10-24x1/4 Knurl Cup PT, PL
17	2	112-47	SHCS, 1/4-20 x 1.0 Zn	61	4	165-38	Caliper Pin, Service Brake HDi
18	2	117-27	Locknut, Nylon 1/4-20 Zn	62	2x2	168-07	Pin, Cotter 1/8 x 3.00 Zn
19	1	112-155	C/Bolt 5/16-18x1.25 Gr2 Zn	63	2x1	161-25	O-Ring Kit - Master Cylinder - Grimeca (incl. Ref. 53, 55 & 56)
20	1	108-24	Washer, .34 x .70 x .06 Zn				Not available for Wilwood
21	2	112-04	HHCS 1/4-20 x 3/4 Gr2 Zn	64	6	160-44	Bolt, Banjo - M10 x 1,0 x 21,0
22	2	108-03	Lockwasher 1/4 Split Ring Zn	65	15	160-01	Washer, Copper - 1,5 x 10,0 x 14,0
23	2	103-66	HHCS, 1/4-20 x 4.0 Gr5 Zn	66	3	125-84	Grommet, Rubber
24	4	108-08	Washer, .28 x .62 x .04 Zn	68	1	165-43	Brake Line, Driver Side
25	2x8	108-24	Washer, .34 x .70 x .06 Zn	69	2	103-69	SHCS 1/4-20 x 1.5 Zn
26	2	812-17	Collar	70	1	612-132	Bracket, LCD Gauge - Painted
27	1	165-31	Handbrake, Left Hydraulic	71	1	128-27	Grommet 1-1/4ID x 1-1/2x3/32
28	1	165-42	Brake Line, Passenger Side	72	2	117-86	Nut, Acorn, 1/4-20 Zn
29	2	127-35	Grip, Molded	73	3	117-85	Nut, Acorn, M5 Zn
30	1	127-81	Throttle Twist Grip	74	3	120-04	Washer .19 x .50 x.08 Zn
31	1	612-101	Cable Asm., Throttle				
32	2	165-32	Caliper, Service (includes Ref. 44 & 61)				
33	1	166-10	Caliper, Hydraulic Brake - L w/o pads				
34	1	166-11	Caliper, Hydraulic Brake - R w/o pads				
35	2	161-05	O-ring Kit, Knott Caliper				
36	4		Seal, Piston				
37	2		Seal, Rubber				
38	2x1	168-20	Plug, Rubber				
39	2x1	168-02	Screw, Bleeding, Knott Caliper				
40	2x4	103-55	HHCS, 5/16-18 x 2.75 Gr5 Zn				
41	1	170-03	Pad Set (4), Brake - Non-Asbestos				
42	2x4	117-03	Nut, Fin Hex 5/16-18 Zn				
43	2x2	168-01	Piston, Knott Caliper				
44	1	165-36	Brake Pad (4) Replacement - Kit				

6.0 Parking Brake

HDi/HD Parts Manual



Ref.	Qty.	Part #	Description
1	1	165-52	Rotor, E-Brake
2	1	165-49	Spacer, ID.39 x OD.63 x .295
3	1	165-48	Spacer, ID.39 x OD.63 x .90
4	1	106-29	Retaining Ring SH-0093-PA
5	2	108-05	Lockwasher 5/16 Split-Ring Zn
6	1	112-143	SHCS 5/16 x 1.25 Zn
7	2	112-173	Locknut, #5-40, Zn
8	1	850-81	Cable, Parking Brake
9	1	100-100	Pin, Cotter 1/8x3/4 Zn
10	2	103-06	HHCS 5/16-18x1.0 Gr5 Zn
11	1	104-27	Pin, Clevis 5/16x.75" Zn
12	1	850-79	Pulley, Parking Brake Cable
13	1	112-178	Bolt, Shoulder, 1/2 x 5/8
14	2	112-172	SHCS 5-40 x 3/4 Zn
15	1	108-35	Washer .53 x 1.06 x .09 Zn
16	2	108-24	Washer .34x.70x.06 Zn
17	7	108-47	Washer .39x.94x.13 Zn Di-Chro
18	1	809-147	Lever, Parking Brake
19	1	848-176	Harness, Horn Momentary*
20	1	112-19	Screw,IHWH T/C Slot 1/4-20x1/2*
21	1	112-228	SHCS 5/16-18 x 3.25 Zn
22	2	117-21	Locknut, Nylon 5/16-18 Zn
23	1	848-87	Horn, Electric*
24	1	613-120	Switch, Micro, Lever
25	1	118-52	Fuse, 10A 2-Prong (AT010)*
26	1	848-175	Switch, Horn Momentary*
27	1	103-08	HHCS 1/4-20 x 1.0 Zn
28	1	117-27	Locknut, Nylon 1/4-20 Zn
29	1	165-50	Caliper, Parking Brake, Ass'y(incl. Ref. #'s 30-36)
30	1	165-44	Caliper, Wldt Parking Brake
31	1	165-51	Cam, Caliper, Park Brake
32	1	165-36	Brake Pad Replacement Kit
33	1	127-280	Spring, Extension 3/8" x 1.75"
34	3	117-25	Nut, Conelock 5/16-18
35	2	112-224	Bolt, Shoulder 3/8 x 1.25
36	1	112-223	Bolt, Shoulder 3/8 x 0.38
			*If equipped



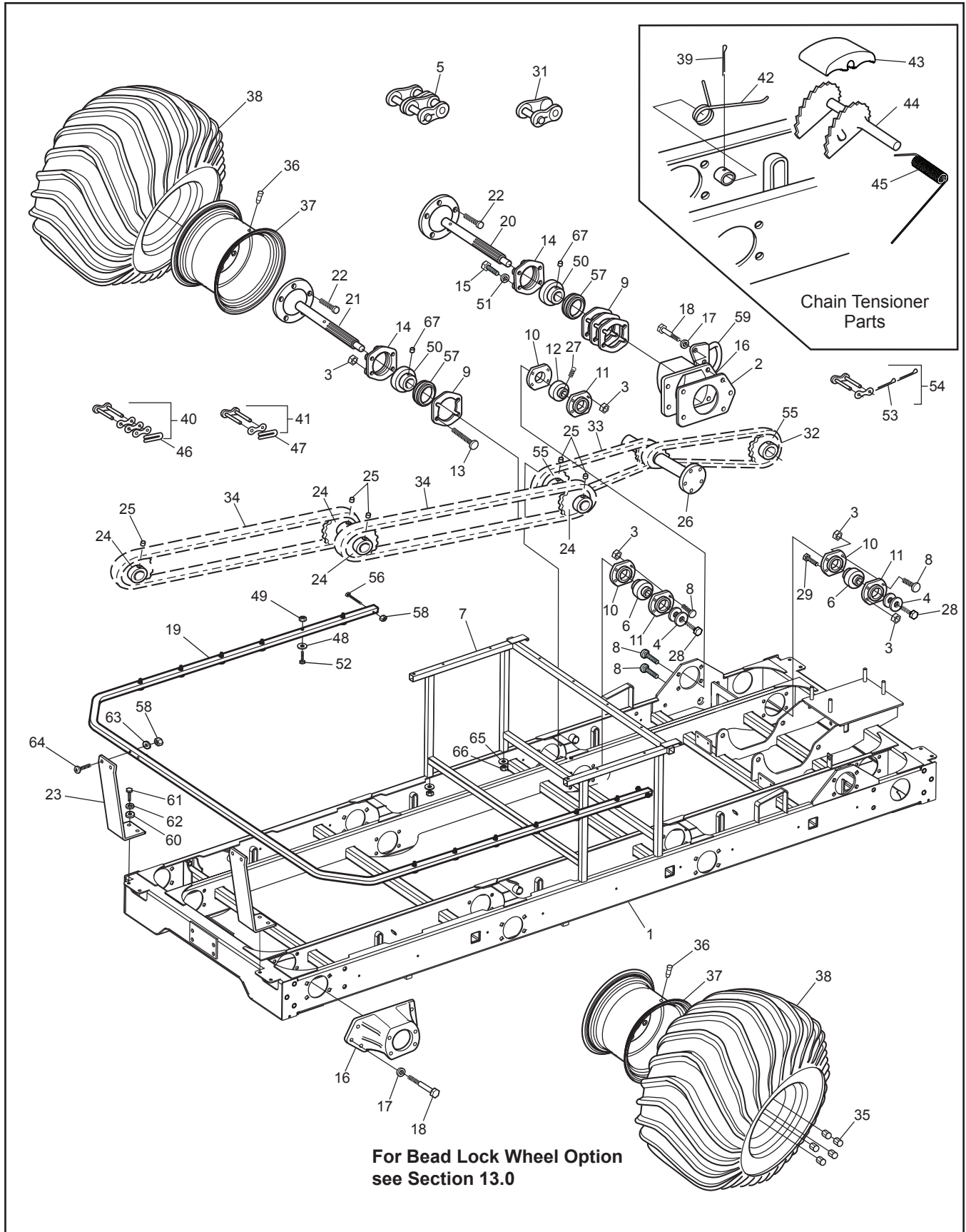
HDi/HD Parts Manual

7.0 Vehicle Body & Firewall

Ref.	Qty.	Part #	Description	Ref.	Qty.	Part #	Description
1	1	707-56	Weldment, Exhaust Screen	44	1	801-194	Body & Hood 8x8 HDi 750, (spec. colour) (incl. 23, 33, 34, 38)
2	1	601-130	Nameplate, "Argo"	45	115	120-09	Rivet 3/16 x 1 - Black
3	2	127-45B	Knuckle, Hinge	46	16	103-48	T/S Pan HD PHIL #10 x 5/8
4	2	127-45A	Pin, Hinge	47	4	126-79	Bumper, Plastic - Black
5	1	601-101BL	Tube, Dash Handle	48	24	108-25	Washer .31 x .75 x .06 Zn
6	2	100-109	Cup holder Insert	49	4	603-15	Washer, Plastic 5/16 Hole
7	1	126-68	Plate, Operation	50	4	103-08	HHCS 1/4-20 x 1.0 Zn
8	1	707-59	Weldment, Intake Screen	51	2	112-04	HHCS 1/4-20 x 3/4 Gr2 Zn
9	1	608-64	Seat, Rear - Left	52	1	126-60	Vinyl Strip, 1/2" x 1/4" x 37.5'
	1	608-64CF	Seat, Rear - Left - CF	53	8	108-59	Lockwasher #10 Int. Tooth Zn
10	1	609-42	Firewall, Admiral	54	9	103-47	HHCS 10-24 x 1/2
11	3	114-24	Retainer, Q-Turn Washer	55	1	113-12	Insert, 1/2-13
12	3	117-91	Receptacle, Q-Turn	56	1	108-35	Washer .53 x 1.06 x .09 Zn
13	1	608-65	Seat, Rear - Right	57	1	112-151	HHCS 1/2-13 x 1" Gr2 Zn
	1	608-65CF	Seat, Rear - Right - CF	58	1	613-37	Terminal Strip, Ground
14	1	126-67	Plate, Floor Pan	59	17	120-13	Rivet, 3/16 x 3/4 Black
15	1	127-217	Plate, Vehicle Capacity	60	1	117-10	Locknut, 10-24 N/I Zn
16	2	127-01	Reflector, Red	61	38	120-24	Rivet, 3/32 x 3/8 Alum. (all plates)
17	1	803-64	Floor Pan, Rear - HDi	62	2	100-114	Gasket, Drain Plug
18	1	127-199	Label, Caution - Dash, HDi	63	2	117-82	Locknut, Flange 1/4-20 Zn
19	1	126-69	Plate, Fuel	64	1	602-51	Frame Ass'y, Hood - Rear
20	2	127-196	Nameplate - Argo 750 HDi	65	1	127-144	Label, Warning - HOT
	2	127-216	Nameplate, 700 HD	66	1	128-26	Grommet, 1-1/2ID x 1-3/4x1/4
21	2	601-09	Trim, Vinyl - 28"	67	3	112-193	Stud, Q-Turn
22	1	609-43	Glove Box, Firewall, HDi	68	2	602-52	Clip, Hood
23	1	602-49	Frame Ass'y, Hood - Front	69	1	616-20	Gasket, Rear Hitch
24	1	801-05	Bumper, Vinyl - 8x8	70	1	601-113	Panel, Dash - Left, HDi
25	1	803-63	Floor Pan, Front - HDi	71	1	104-66	Pin, HD Shift Cable Threaded
26	1	801-50	Body, Lower	72	1	127-212	Pivot, Hi-Lo Shifter
27	2	100-107	Plug, Drain - Flanged	73	1	127-211	Bracket, Hi-Lo Shifter
28	1	104-13	Pin, Toplink - 3/4 x 2.75	74	1	601-112	Panel, Dash - Right, HDi
29	1	616-16	Hitch Assembly	75	1		See Section 10.0 Electrical System
30	1	616-19	Tube, Hitch	76	1	127-223	Cable, Hi-Lo Shift Threaded
31	4	103-61	HHCS 3/8-24 x 1.5 Gr5 Zn	77	6	120-05	Washer .19 x .50 x .04 Zn
32	1	104-11	Pin, Lynch - Ring	78	1	127-200	Label, F-N-R - HDi
33	12	120-15	Rivet - 1/8 x 7/16	79	1	129-01	Plate, Geared By ODG
34	2	602-56	Latch, Hood - Soft Draw	80	1	707-66	Weldment, Hood Screen, Front
35	2	112-51	Screw, IHWH T/C #10-24x5/8	81	2	809-166-15	Seal, 15" Long
36	34	120-11	Rivet 5/32 x 9/16 - Black	82	1	127-221	Label, Shift Warning
37	1	613-123	Post, Power, 5/16-18, Red	83	3	112-139	OHPS T/S #4x5/8 Black Zn
38	1	602-70	Hood Ass'y, Avg/HDi 8x8 (specify colour) (incl. 3, 4, 34, 36, 40, 45, 53, 54, 59, 67, 68, 79, 80)	84	8	112-292	T/S Washer Hd Phil #8x3/4 Blk
39	2	117-44	T- Nut 1/4-20 Zn	85	1	707-62	Weldment, Hood Screen RH
40	92	120-04	Washer .19 x .50 x .08 Zn	86	1	707-63	Weldment, Hood Screen LH
41	32	120-27	Pin, Magna Grip				Note: For ultra chrome add UC to part #
42	32	120-28	Collar, Magna Grip				
43	1	801-51	Skid Plate, 8x8 - Black				

8.0 Frame and Drive System

HDi/HD Parts Manual



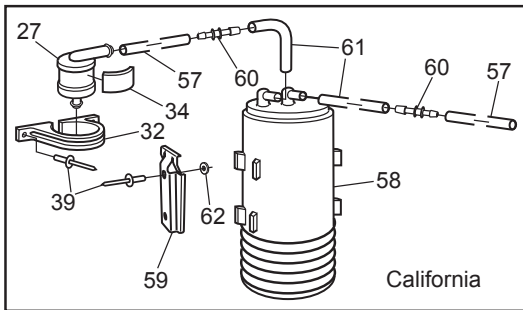
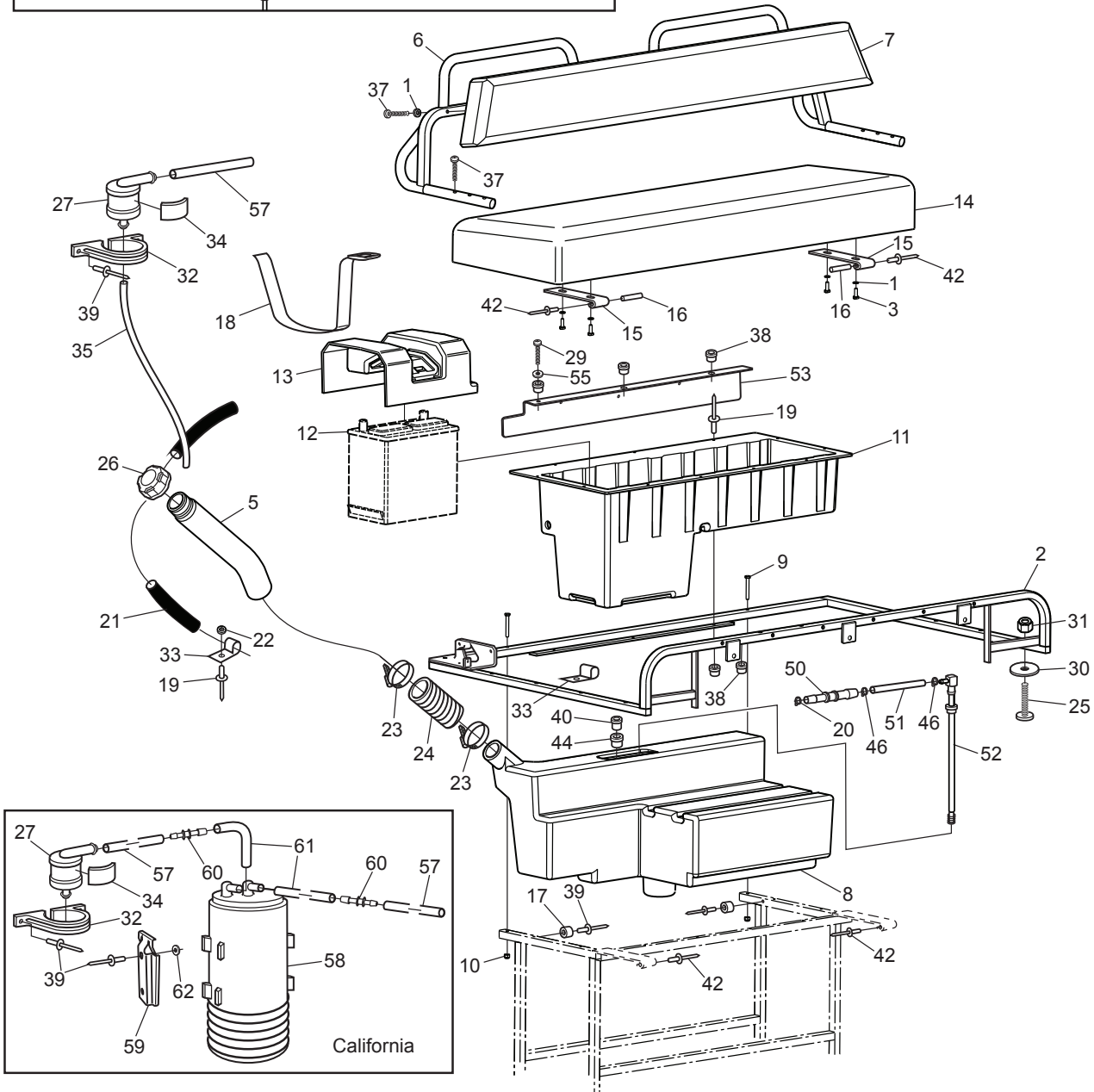
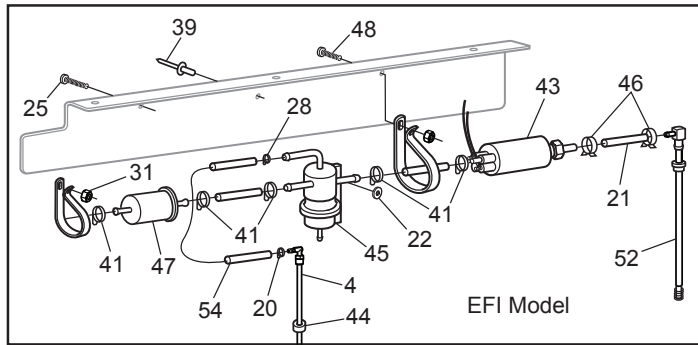
HDi/HD Parts Manual

8.0 Frame and Drive System

Ref.	Qty.	Part #	Description	Ref.	Qty.	Part #	Description
1	1	804-131	Frame Wldt, 8x8 HD	38	8	127-182	Tire, Argo 25x12-9
2	4	606-25	Gasket - Bearing Extension	39	6	100-01	Pin, Cotter 1/8 x 1.50 Zn
3	72	117-118	Locknut, Nylon 3/8-16, Flanged	40	1x4	100-96	Con. Link, RC50-2 H.D.
4	16	108-46	Washer .40 x 1.37 x .12 Hi- Carbon	41	1x4	603-84	Con. Link, RC60-1 H.D.
5		125-75	Link, Half RC50-2	42	6	127-65	Spring Torsion - 1.16x0.35
6	8	101-41	Bearing, Ball - 1.0	43	6	606-44	Slider Block
7	1	804-138	Frame Wldt, Seat 8x8	44	6	606-82	Tensioner Asm, Chain
8	39	103-88	C/Bolt 3/8-16 x 1.0 Gr5 Zn	45	6	127-64	Spring, Torsion - .76 x 1.9
9	16	606-90	Gasket, Flange - 72mm	46	4	603-95	Spring Clip - RC 50 Closed
10	20	606-91	Flange - 4 Hole Hd	47	4	603-96	Spring Clip - RC 60 Closed
11	10	606-92	Flange, Greasable - 4 Hole Hd	48	14	108-42	Washer .21x1.0x.06 Zn
12	2	101-96	Bearing, Ball - 1.25x1.5 No Grv	49	14	117-10	Locknut, 10-24 N/I Zn
13	16	112-187	C-Bolt 3/8-16x2.0 Gr5 Zn	50	8	101-95	Bearing, Ball - 1.25 x 72mm
14	8	606-88	Flange Ass'y, Outer Bearing	51	16	108-06	Lockwasher 3/8 Split Ring Zn
15	16	103-68	HHCS 3/8-16 x 2.0 Gr5 Zn	52	14	112-07	RHMS 10-24x1.50 Zn
16	4	810-112	Bearing Extension w/nuts	53	4	104-35	Pin, Cotter 2mm x 12mm
17	20	108-34	Washer .47 x .94 x .06 Zn	54	2	127-188	Link, Con. #60 Lambda
18	20	112-181	HHCS 7/16-20 x 1.75 Gr5 Zn	55	4	810-118	Sprocket, D50 x 25T
19	1	806-254	Tube, Rear Hoop, Argo		4	810-28	Sprocket, D50 x 24T
20	4	810-92	Axle Asm - Front/Rear HD	56	2	112-214	HHCS 1/4-20 x 2 Gr5 Zn
21	4	810-113	Axle Asm - Mid HD	57	8	606-89	Carrier, Axle Bearing
22	5x8	112-183	Stud, Wheel 7/16-20 x 1.5	58	6	117-27	Locknut, Nylon 1/4-20 Zn
23	2	806-255	Bracket, Rear Hoop, Argo	59	2	642-47	Tie Down Bracket
24	8	606-34	Sprocket, S60 x 19T	60	4	108-12	Washer .34x1.00x.06 Zn
25	10	112-03	SHSS 5/16-18 x 3/8 ½ DOG, PL	61	4	103-06	HHCS 5/16-18x1.0 Gr5 Zn
26	1		See Section 4.0 Power Pack Ass'y	62	4	108-05	Lockwasher 5/16 Split-Ring Zn
27	4	112-60	SHSS 1/4-28 x 1/2 Cup Pt.	63	4	108-08	Washer .28x.62x.07 Zn
28	8	112-31	HHCS 3/8-16 x 1.0 2B Gr8 Zn	64	4	112-215	C/Bolt 1/4-20 x 1.5 Gr2 Zn
29	1	112-163	HHCS 3/8-16 x 2.0 Gr5 Zn	65	4	108-24	Washer .34x.70x.06 Zn
30	8	112-61	C/Bolt 3/8-16 x 1.25 Gr5 Zn	66	4	117-21	Locknut, Nylon 5/16-18 Zn
31		127-80	Link, Half - RC60 - 1 (opt.)	67	8	112-200	SHSS 5/16-24x5/16 Flat PT
32	2	603-19	Chain, RC50-2x44P-Front (incl. Ref. 40)				For Bead Lock Wheel Option see Section 13.0
33	2	803-65	Chain, RC50-2x80P-Middle (incl. Ref. 40)				
34	4	803-57	Chain, RC60-1 x 90P-Rear (incl. Ref. 41)				
35	5x8	117-35	Nut, Wheel 7/16-20 Zn				
36	8	125-26	Valve, Tire				
37	8	127-61BL	Rim - 10 x 9 - Black				

9.0 Fuel System & Seat Assembly

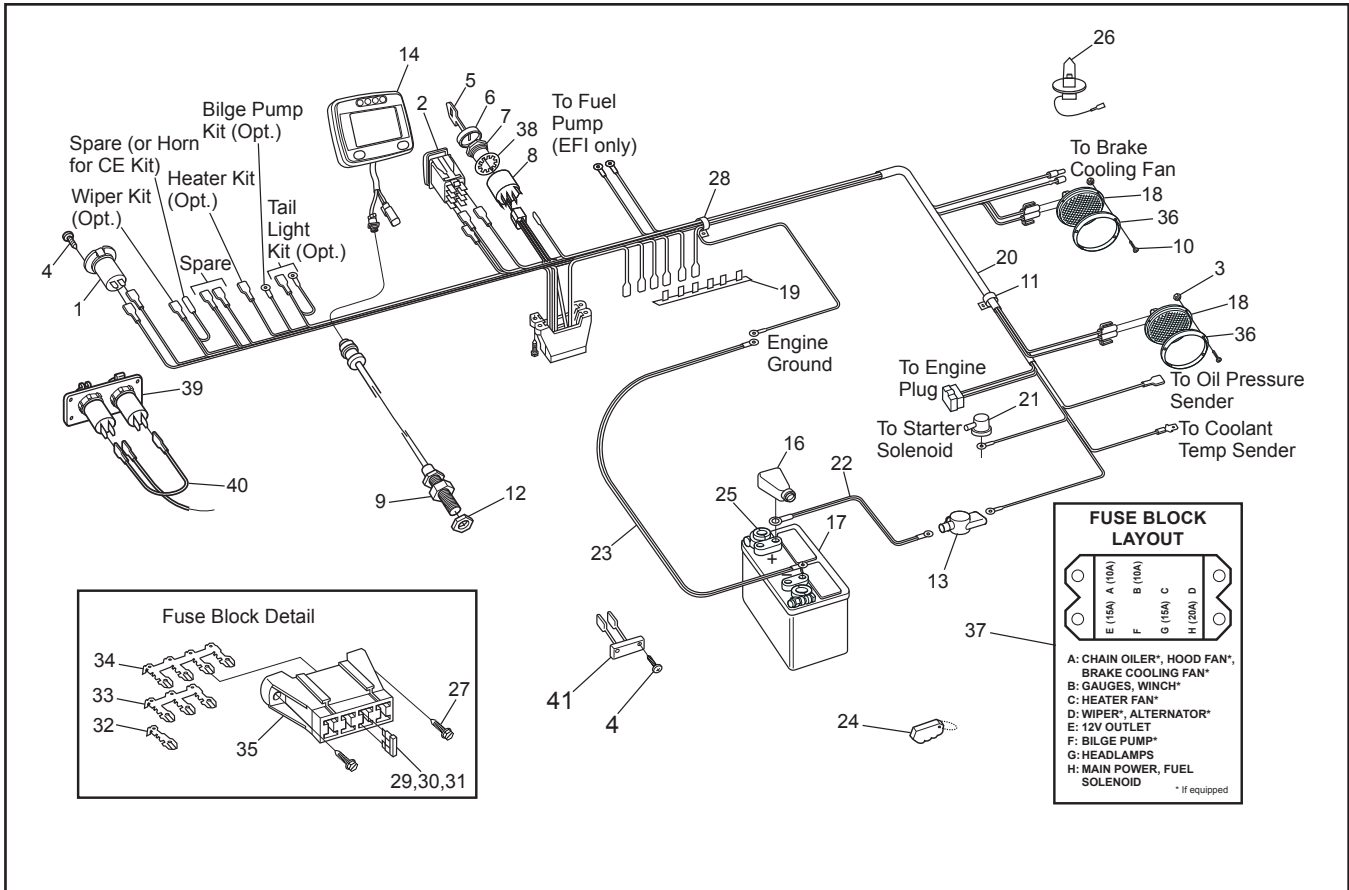
HDi/HD Parts Manual



Ref.	Qty.	Part #	Description	Ref.	Qty.	Part #	Description
1	8	108-03	Lockwasher 1/4 Split Ring Zn	43	1	24 393 52	Fuel Pump, EFI
2	1	608-145	Frame Assembly, Seat HDi	44	1	608-136	Grommet, Fuel Return
3	4	112-04	HHCS 1/4-20x3/4 Gr2 Zn	45	1	24 403 16	Regulator, Fuel Pressure
4	1	608-138	Return, Fuel Port	46	2	112-78	Clamp, Hose, 9/16
5	1	608-140	Fuel, Fill Neck Assembly	47	1	24 050 03	Filter, Fuel Line - EFI - c/w engine
6	1	608-76	Frame Assembly, Backrest	48	1	103-25	PHMS, 10-24 x 3/4 Zn
7	1	608-39	Back Pad Assembly	50	1	808-133	Reducer, 5/16" to 1/4" Barbed
	1	608-39CF	Back Pad Assembly - CF	51	2"	608-69RM	Hose, Fuel - 5/16" ID Carb
8	1	608-122	Tank, Fuel Single Layer	52	1	608-127	Pick-up, Fuel, 5/16 105 Mesh
	1	608-120	Tank, Fuel Low Permeation (for U.S.)	53	1	601-122	Bracket, Support Body Upper Fuel
9	2	103-77	HHCS, 1/4-28 x 2.0	54	1	608-66	Hose, Fuel
10	2	117-01	Locknut, Nylon 1/4-28 Zn	55	3	108-106	Washer, Countersunk 1/4 Zn
11	1	608-54	Toolbox				United States Vehicle Kit
12	1	127-54	See Section 10.0 Electrical System	8	1	608-120	Tank, Fuel Low Permeation
13	1	608-55	Cover, Battery		1	127-273	Plate, Serial Blank Double
14	1	608-88	Seat Assembly, Bench - Thick		1	127-274	Label, U.S EPA EVAP Approval
	1	608-88CF	Seat Assembly, Bench - CF	56	2	120-24	Rivet, Alum - 3/32 x 3/8 Black
15	2	608-81	Hinge, Seat, Bolted				California Vehicle Kit
16	2	104-43	Pin, 3/16" x 1-1/8"	8	1	608-120	Tank, Fuel Low Permeation
17	2	126-102	Bumper, Recessed Hole		1	127-273	Plate, Serial Blank Double
18	1	608-56	Strap, Battery		1	127-274	Label, U.S EPA EVAP Approval
19	17	120-09	Rivet 3/16x1 - Black	39	2	120-13	Rivet - 3/16 x 3/4 Black
20	3	112-79	Clamp, Hose, 1/2" - Red	56	4	120-24	Rivet, Alum - 3/32 x 3/8 Black
21	1	608-69	Hose, Fuel 5/16" ID x 7.5' - Carb		1	127-275	Label, Carb EVAP Approval
22	9	120-04	Washer .19 x .50 x .08 Zn	57	1	126-101RM	Hose, Vent 3/16" ID
23	2	100-12	Clamp, Gear 2.25" HF-36	58	1	609-45	Carbon Canister 800cc
24	1	125-94	Hose, Filler	59	1	609-46	Bracket, Carbon Canister
25	11	112-07	RHMS 10-24 x 1.50 Zn	60	2	609-48	Reducer, Barbed 1/4" to 3/16"
26	1	126-100	Fuel Cap, Tethered	61	2	127-160-3	Hose, 1/4ID x 3/8OD - 3" Long
27	1	609-47	Valve, Rollover	62	2	120-05	Washer .19x.50x.04 Zn
28	1	112-258	Clamp, Fuel Injection 1/4				
29	3	112-213	FHMS, Phil 1/4-20x1.25 Zn				
30	10	108-42	Washer .21 x 1.0x.06 Zn				
31	14	117-10	Locknut, Nylon #10-24 Zn				
32	1	609-50	Clamp, Rollover Valve				
33	7	126-93	Clamp, Nylon Wire - 1/2" ID				
34	1	126-60	Vinyl Strip 1/2" x 1/4"				
35	6'	127-160RM	Tubing, 1/4 ID Clear Plastic				
36	3	112-41	PHMS, Phil 1/4-20 x 1.25 Zn				
37	4	103-03	PHMS, Phil 1/4-20 x 1.50 Zn				
38	5	117-64	Insert, 1/4-20 Steel Cad Pltg.				
39	33	120-13	Rivet, 3/16 x 3/4 Black				
40	1	608-137	Plug, Push-In				
41	6	112-243	Clamp, Fuel Injection 5/16"				
42	4	120-31	Rivet, 3/16" x 1/4, Open End				

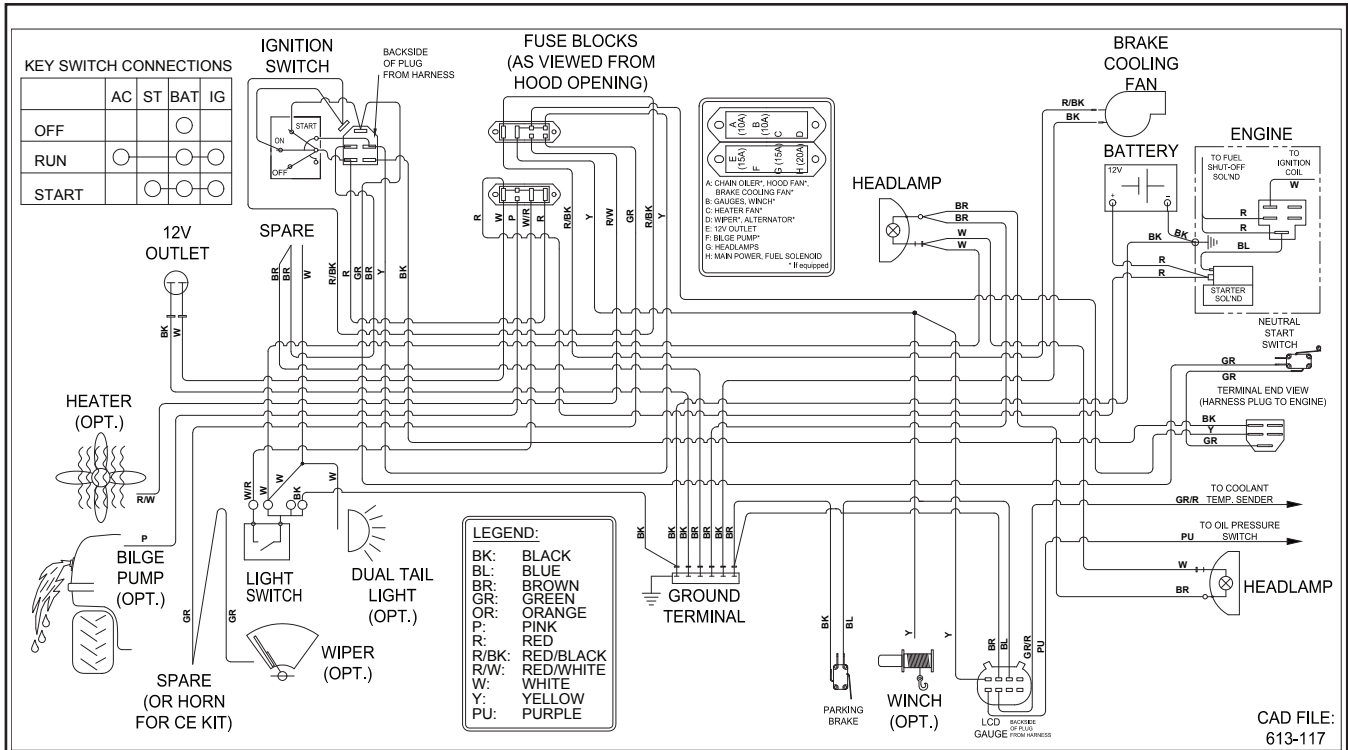
10.0 Electrical System

HDi/HD Parts Manual

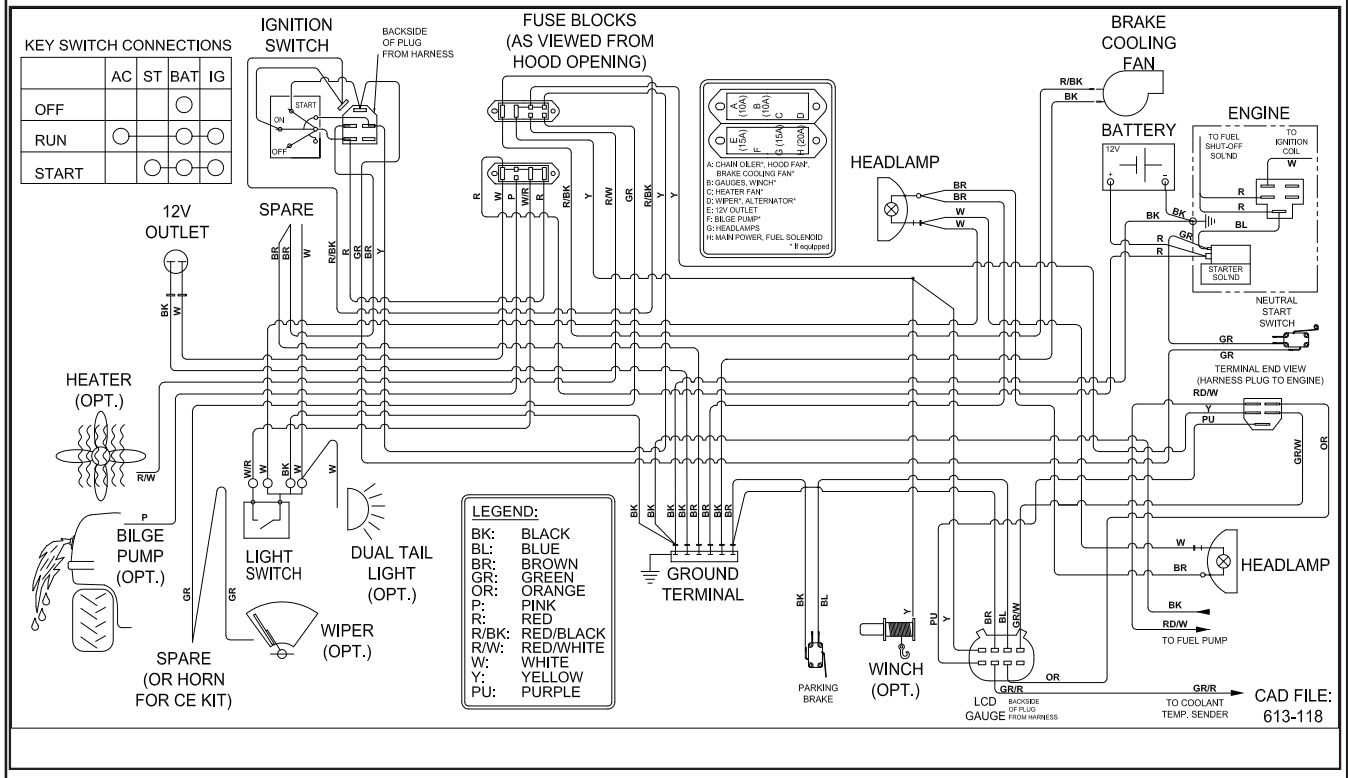


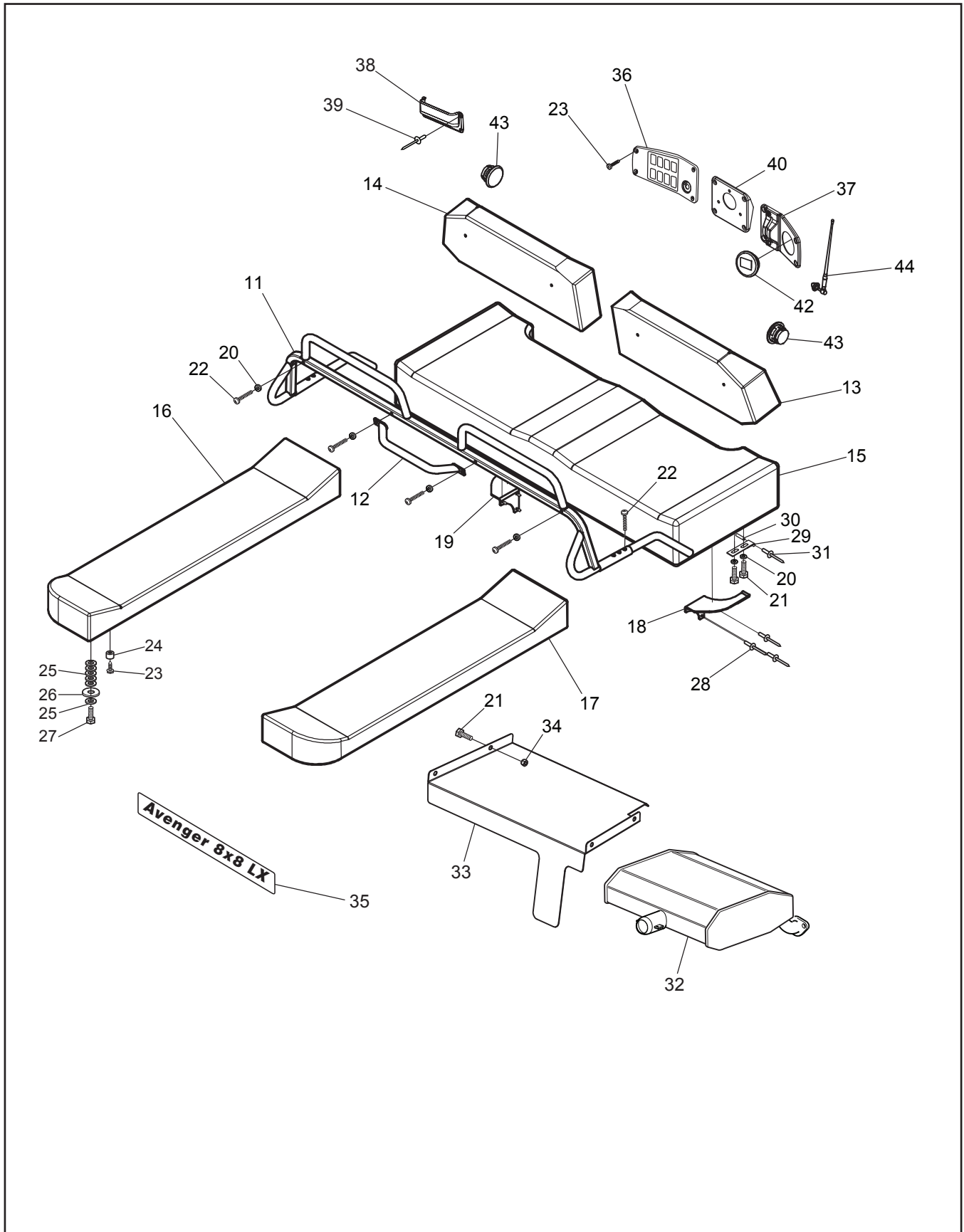
Ref.	Qty.	Part #	Description
1	1	613-90	Outlet, 12 Volt DC
2	1	613-153	Switch, Light
3	8	117-93	Nut, Speed #10
4	10	112-139	#4 Phil Drive Oval Head Screw, Black
5	2	127-108	Key, Molded
6	1	127-107	Bezel - Cover, Nut
7	1	127-106	Nut, Flanged - Plastic
8	1	127-105	Switch - Ignition
9	1	613-226	Sensor, Speedo Pickup 1 Pc.
10	8	112-198	T/S Pan Hd Phil #10 x 1 Blk.
11	4	127-24	Clamp, Nylon - 1" ID
12	1	117-87	Nut, M12 x 1.25, Zn
13	1	613-124	Insulator, 2 Way w/cap, Red
14	1	613-130	Gauge, LCD
16	1	127-55	Cap, Battery Terminal - Red
17	1	127-54	Battery, Exide 45-60
	1	613-161	Battery, Optima - Argo (Opt.)
18	2	613-159	Headlight 37.5
19	2	613-37	Terminal Strip, Ground
20	1	613-117	Wire Harness, Kohler Carb
20a	1	613-118	Wire Harness, Kohler 31HP EFI

Ref.	Qty.	Part #	Description
21	1	613-46	Insulator, Terminal (2 ga.)
22	1	613-94	Wire, Positive Battery
23	1	613-95	Wire, Negative Battery
24	1	681-00	FOB, Key - Floating
25	2	127-56	Terminal, Battery Post
26	2	127-46	Bulb, Headlight - Halogen 37W
27	2	112-51	Screw, IHWH T/C #10-24 x 5/8
28	4	126-93	Clamp, Nylon Wire - 1/2" ID
29	1	118-52	Fuse, 10A 2 Prong (AT010)
30	2	118-49	Fuse, 15A 2 Prong (AT015)
31	1	118-53	Fuse, 20A 2 Prong (AT020)
32	9	118-62	Terminal - Fuse, single
33	1	118-63	Terminal - Fuse, triple
34	1	118-61	Terminal - Fuse, quad
35	2	118-60	Block - Fuse, 8 position (4 fuse)
36	2	613-152	Bezel, Headlamp
37	1	127-298	Label, Fuse Panel - Argo
38	1	114-26	Lockwasher, 5/8 Int. Toot
39	1	118-80	Outlet, 12V & Twin USB (if equip.)
40	1	613-231	Wire Harness, USB (if equip.)
41	3	613-99	Light, Shifter Illumination



EFI Models





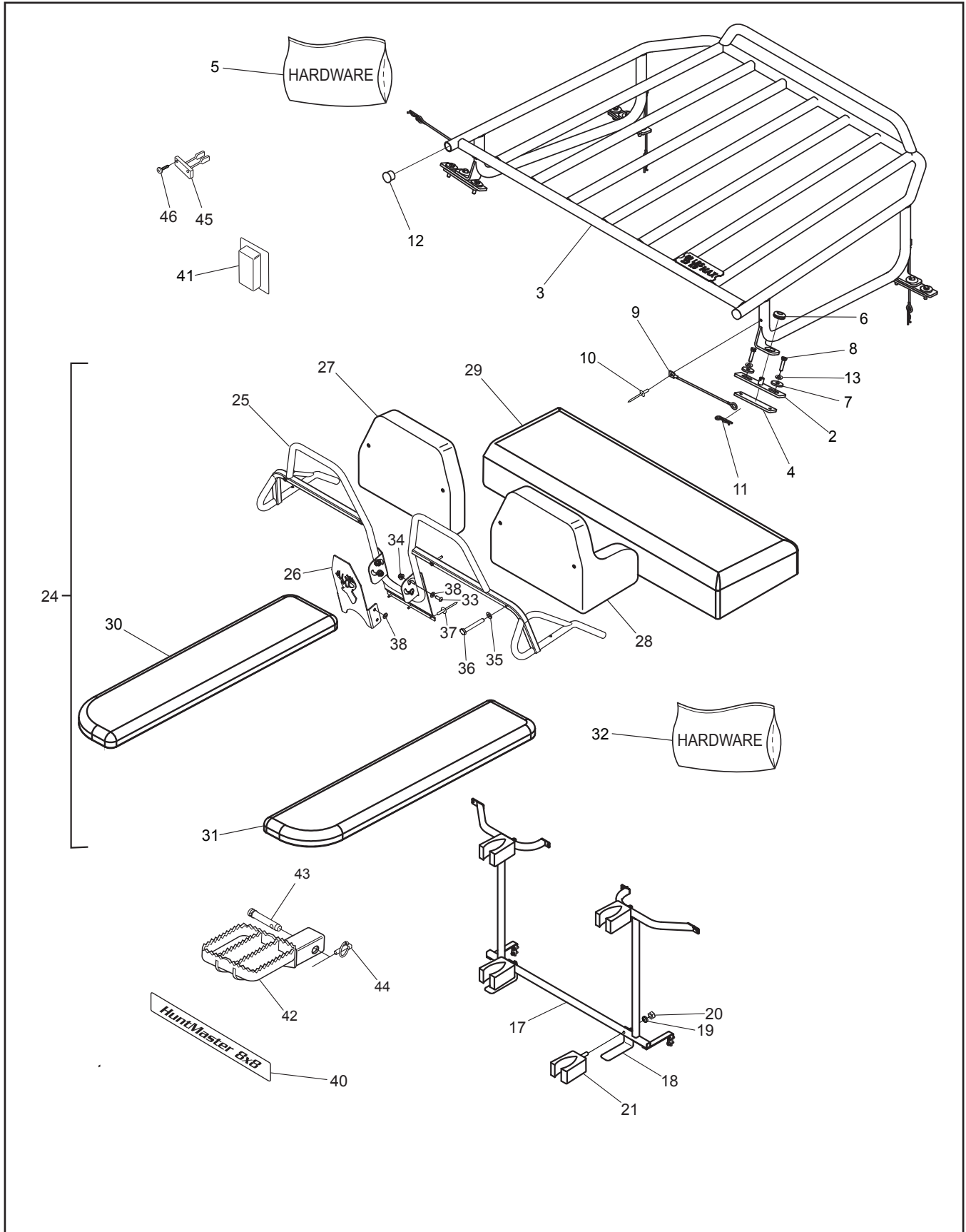
HDi/HD Parts Manual

11.0 LX Model

Ref.	Qty.	Part #	Description	Ref.	Qty.	Part #	Description
10	1	608-190	Acc, Prem. Seating, LX	37	1	601-132	Panel, Dash, Right, CF, HDi
11	1	608-186	Wldt, Adj. Backrest, Argo	38	1	609-51	Glove Box, Firewall, CF, HDi
12	1	608-187	Wldt, Rear Grab Handle, Argo	39	4	120-15	Rivet - 1/8 x 7/16
13	1	608-180	Seat, Prem. Back Pad Assy, RH	40	1	601-133	Panel, Dash, Center, CF, HDi
14	1	608-181	Seat, Prem. Back Pad Assy, LH	41	1	848-248	Acc, Stereo, LX
15	1	608-182	Seat, Prem. Bench	42	1	613-254	Stereo Assembly, Head Unit, LX
16	1	608-183	Seat, Prem. Rear, LH	43	4	613-251	Speaker, 3" Marine, LX
17	1	608-184	Seat, Prem. Rear, RH	44	1	613-252	Antenna, Radio, LX
18	1	608-195	Wldt, RH Seat Bracket, LX	45	1	613-253	Wire Harness, Stereo, LX
19	1	608-197	Wldt, LH Seat Bracket, LX				
20	8	108-03	Lockwasher 1/4 Split Ring Zn				
21	8	112-04	HHCS 1/4-20x3/4 Gr2 Zn				
22	6	103-03	PHMS, Phil 1/4-20 x 1.50 Zn				
23	16	103-48	T/S Pan HD PHIL #10 x 5/8				
24	4	126-79	Bumper, Plastic - Black				
25	24	108-25	Washer .31 x .75 x .06 Zn				
26	4	603-15	Washer, Plastic 5/16 Hole				
27	4	103-08	HHCS 1/4-20 x 1.0 Zn				
28	6	120-09	Rivet -3/16 x 1.0 Black				
29	2	608-81	Hinge, Seat, Bolted				
30	2	104-43	Pin, 3/16" x 1-1/8"				
31	4	120-31	Rivet, 3/16" x 1/4, Open End				
32	1	607-140	Muffler, Avg 750				
33	1	607-168	Shield, Muffler Heat Avg				
34	4	117-20	Nut, Fin Hex 1/4-20 Zn				
35	1	850-366	Nameplate, LX Series				
36	1	601-131	Panel, Dash, Left, CF, HDi				

Note: LX trim package also includes the following standard Argo accessories:

- 1 839-30 Handrail Ass'y-Avenger
- 1 642-49 Brushguard & Hardware- Aven/HDi
- 1 622-138 Winch, Pro Vantage 3500, Warn
- 2 848-173 Entry Step Accessory, Argo 8x8
- 1 638-40 Bilge Pump
- Bead Lock Wheel Option (see Section 13.0)



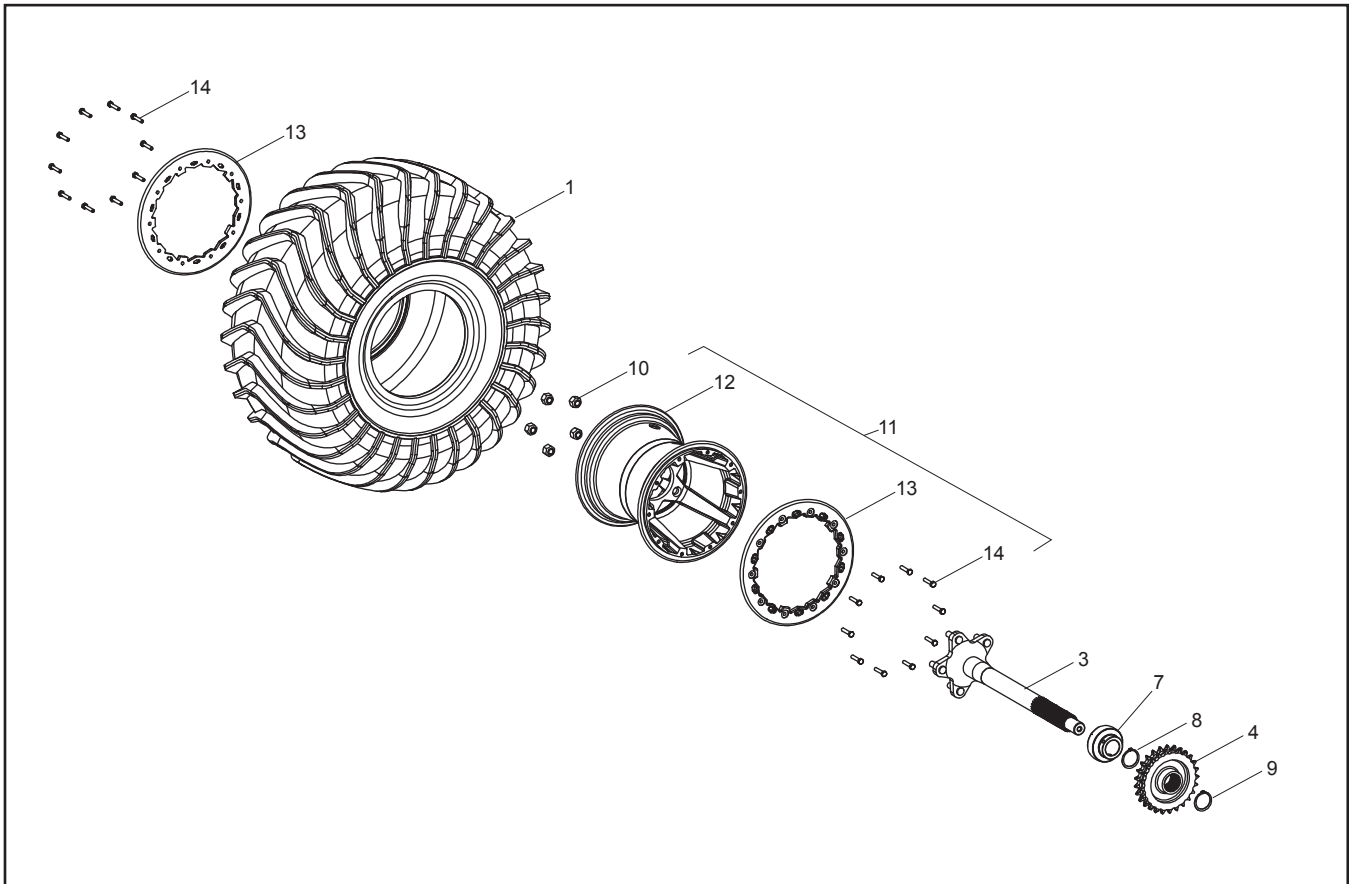
HDi/HD Parts Manual

12.0 Hunt Master Model

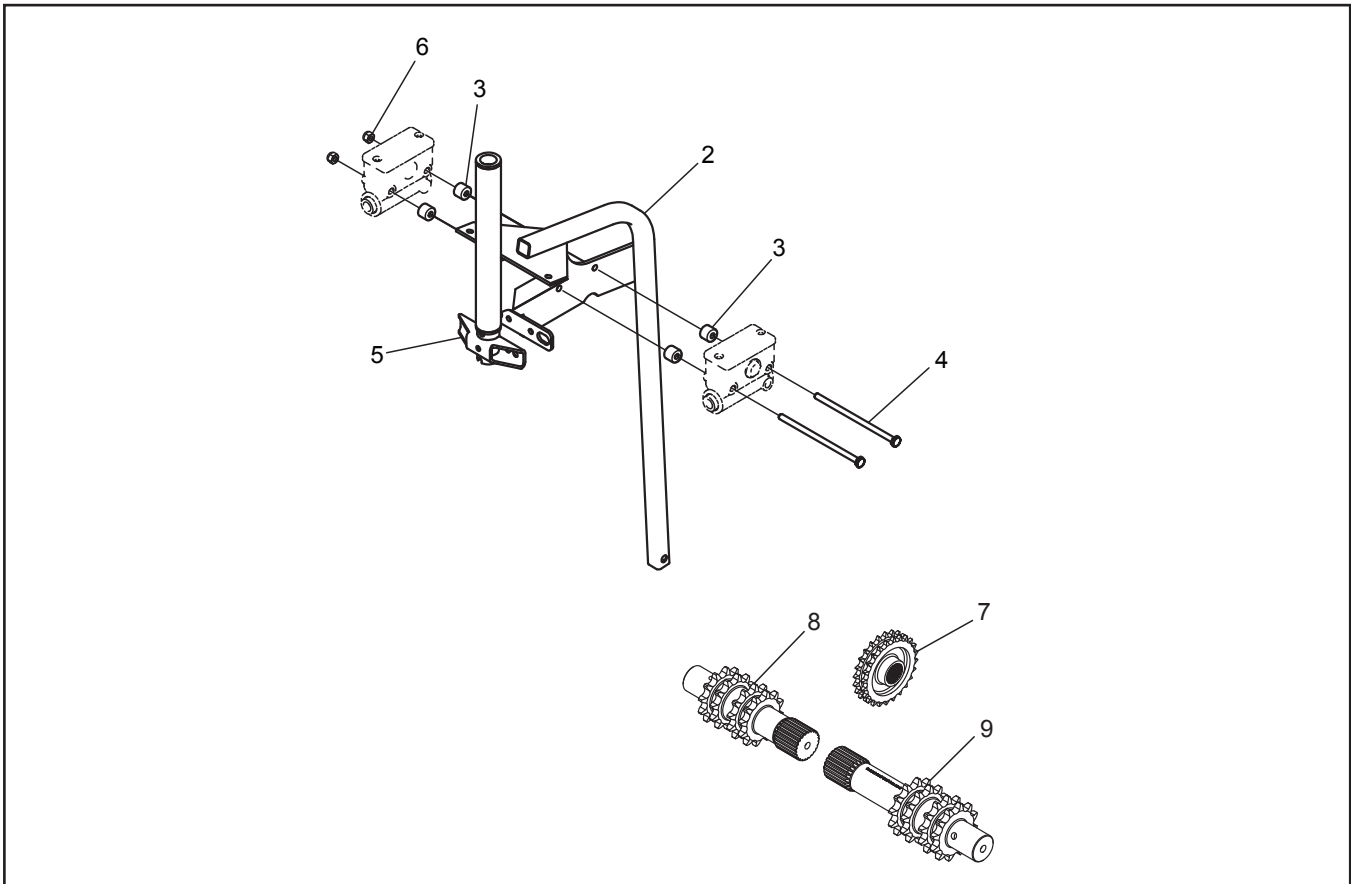
Ref.	Qty.	Part #	Description	Ref.	Qty.	Part #	Description
1	1	848-273	Acc, Hood Rack, HDi (incl. Ref. 2-13)	32	1	848-266HDW	Hardware, Hunt Master Seating (incl. Ref. 33-38)
2	4	848-270	Wldt, Hood Rack Mount	33	4	112-33	BHCS 3/8-16x.875 Gr8 Zn
3	1	848-271	Wldt, Hood Rack, HDi	34	4	117-118	Locknut, Nylon 3/8-16, Flanged
4	4	848-272	Plate, Backing, Hood Rack	35	4	108-03	Lockwasher 1/4 Split Ring Zn
5	1	848-340HDW	Acc, Hood Rack, Argo, Hardware (incl. Ref. 6-13)	36	4	112-297	HHCS 1/4-20 x 1.75 Full Thread
6	4	127-132	Grommet, Rubber - 1/2" ID	37	3	120-13	Rivet - 3/16 x 3/4 Black
7	8	108-104	Washer, 0.28ID x 1.0OD x 0.13, Blk	38	8	108-121	Washer 0.39x0.75x0.06, Plastic
8	8	112-212	HHCS M6x1x25mm, Black Zn	40	1	850-377	Nameplate, Hunt Master
9	4	104-80	Lanyard, 6" Loop, W/Tab	1	1	850-378	Nameplate, Hunt Master Z
10	4	120-31	Rivet, 3/16" X 1/4", Open End	1	1	850-379	Nameplate, Hunt Master X
11	4	100-16	Clip, Hitch Pin 1.625 Zn	1	1	850-380	Nameplate, Hunt Master ZX
12	2	639-25	Plug, End - Black	41	2	613-239	Heated Hand Grips
13	8	108-105	Lockwasher, 1/4 Split, Blk Zn	42	1	848-275	Wldt. Rear Step, Argo
16	1	848-254	Acc, Gun Rack, Argo	43	1	104-13	Pin, Top Link
17	1	848-253	Wldt, Gun Rack, Argo	44	1	104-11	Pin, Top Lynch Locking Ring
18	2	848-206	Butt Plate				
19	4	642-74	Lockwasher 5/16 Split Blk Zn				
20	4	642-75	Nut, Acorn 5/16-18 Blk Zn				
21	4	848-207	Sure Grip Head W/Velcro				
24	1	848-266	Hunt Master Seating (incl. Ref. 25-38)				
25	1	848-259	Wldt, Backrest, Argo				
26	1	848-265	Wldt, Step Plate, Huntmaster				
27	1	850-361	Seat, Front Backrest, LH, Hunt				
28	1	850-362	Seat, Front Backrest, RH, Hunt				
29	1	850-323	Seat, Front Bench, Duck				
30	1	850-357	Seat, Rear LH - 8x8, Scout				
31	1	850-358	Seat, Rear RH - 8x8, Scout				
				<p>Note: Huntmaster trim package also includes the following standard Argo accessories:</p> <ul style="list-style-type: none"> 1 839-30 Handrail Ass'y-Avenger 1 642-49 Brushguard & Hardware-Aven/HDi 1 622-142 Winch, Pro Vantage 3500, Warn 2 848-173 Entry Step Accessory, Argo 8x8 1 638-40 Bilge Pump 1 648-92 Aux. Lights 1 864-01 Brake Cooling Kit 1 624-26 Brake Light Kit 1 850-54 Alternator Kit Bead Lock Wheel Option (see Section 13.0) LS Transmission (see Section 14.0) 			

13.0 Bead Lock Wheel Option

HDi/HD Parts Manual



Ref.	Qty.	Part #	Description
1	8	127-182	Tire, Argo 25
2	4	810-122	Asm, Axle Forged - FR/RR
3	4	810-123	Asm, Axle Forged - Mid
4	4	805-142	Sprocket, D50x25T-16/32 Int
5	8	805-143	Sprocket, S60x19T-16/32 Int
7	8	101-123	Bearing, Ball -1.375 x 72mm
8	8	106-15	Retaining Ring SH-0137-PA
9	4	106-34	Retaining Ring, E-Style 1.375"
10	40	117-117	Nut, Wheel 7/16-20 Chrome
11	8	127-250	Rim Asy - Dual Bead Lock Alum (incl. Ref. 12-14)
12	1	127-251	Rim, Offset Dual Bead Lock
13	2	127-252RM	Rim Ring - Dual Bead Lock Clamping
14	20	112-218	HHCS Washer HD M6x1,0x30mm Zn



Ref.	Qty.	Part #	Description
1	1	848-247	Option, Litespeed
2	1	612-142	Wldt, Steering Column, LS
3	4	615-12	Bushing, Lock - 1/4"ID x 5/8"OD
4	2	112-300	HHCS 1/4-20x5.0 Gr5 Zn
5	1	612-141	Wldt, Steering Arm
6	2	117-27	Locknut, Nylon 1/4-20 Zn
7	4	805-144	Sprocket, D50x24T-16/32 Int
8	1	810-115-LS	Shaft, Idler, Spline, Shrt 12T
9	1	810-116-LS	Shaft, Idler, Spline, Long 12T
			Note: LS option also includes 864-01 Brake Cooling Kit

ARGO Products Manufactured by:

Ontario Drive & Gear Limited

220 Bergey Court

New Hamburg, Ontario

Canada N3A 2J5

Phone: (519) 662-2840

Fax: (519) 662-2421

www.argoatv.com

ODG *Dedicated to quality and performance*