

Argo 8x8
750 HDi

Argo 8x8
700 HD



Argo 8x8

PARTS MANUAL

From Serial # ...31982

Foreword

ODG has prepared this parts manual for the HDi/HD models to assist both qualified mechanics and vehicle owners in ordering correct, quality replacement ARGO parts. For the most current parts manual visit our website at www.argoatv.com.

Proper and regular service, and replacing old, worn or broken parts with the correct ARGO replacement parts, are both essential to prolonging the life of the ARGO. Please refer to this parts manual and/or our website www.argoatv.com before ordering any replacement part.

All information contained in this HDi/HD Parts Manual is based on the latest product specification available at time of printing. If your HDi/HD differs from the specifications contained in this manual, check our website www.argoatv.com for the most current information.

ODG reserves the right to alter specifications on the HDi/HD models at any time, without obligation or prior notification.

Reproduction of this HDi/HD Parts Manual, in whole or in part, is prohibited without prior written permission from Ontario Drive & Gear Limited.

Vehicle Identification

HDi - Serial Nos. ...31982

Explanation of Parts Manual Format

Ref - Reference number between assembly diagram and component parts list

Part No. - Argo replacement part number for identification and re-ordering

Description - Part description for identification and re-ordering

Qty - Indicates the quantity of a part used in an assembly

Argo 8x8 750 HDi

Argo 8x8 700 HD



Using the Parts Manual

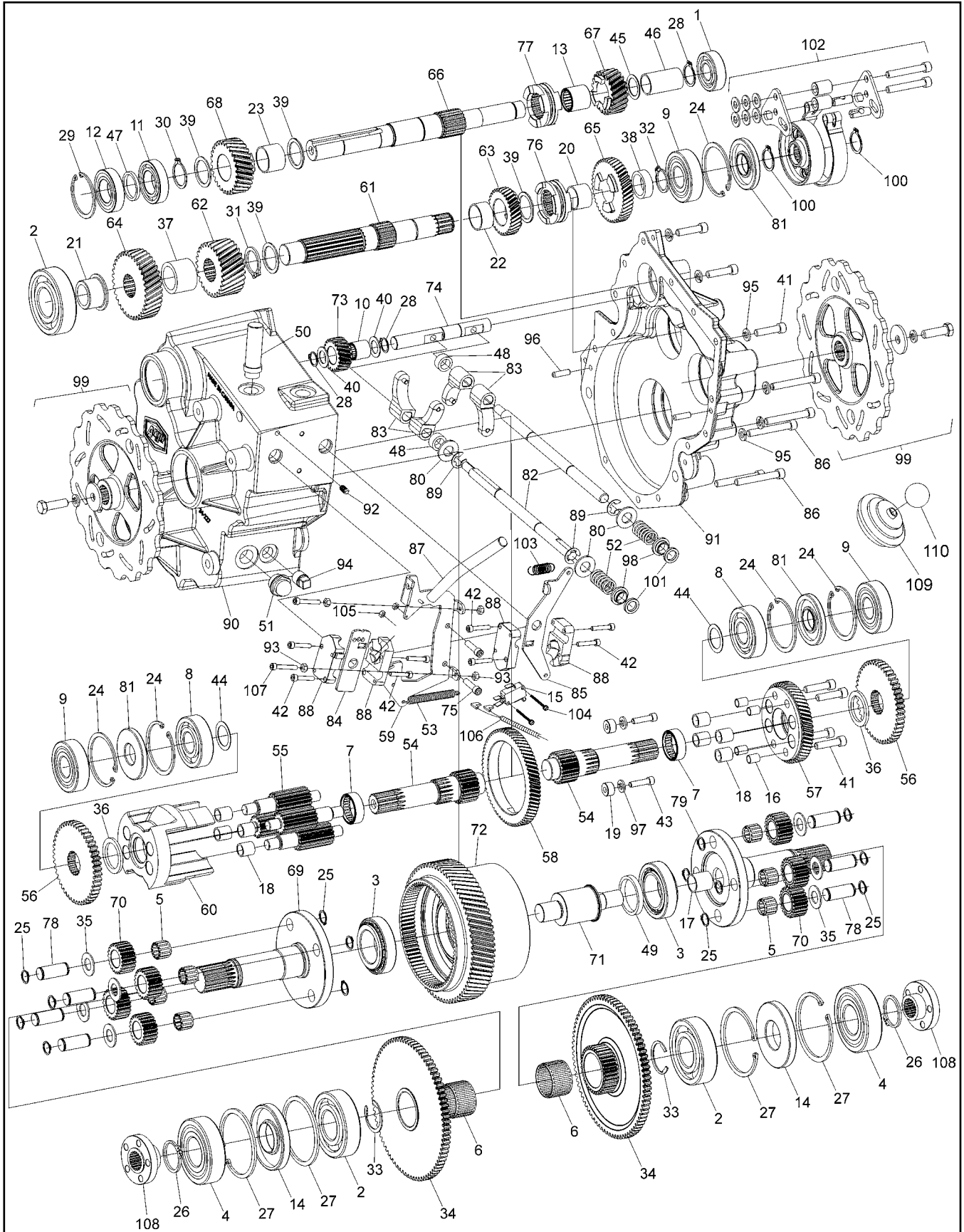
1. Find the major vehicle assembly in the Table of Contents on this page, and turn to that section.
2. Locate the part in the illustration that you wish to order.
3. Refer to the parts list in that section.
4. Find the correct part number (Part No.), part description (Description) and correct quantity (Qty).
5. Use *only* this information to order ARGO replacement parts. **DO NOT** attempt to order a replacement part by reference number or page number.

Table of Contents

Foreword	i
Vehicle Identification.....	i
Using the Parts Manual	ii
1.0 Transmission	1
2.0 Intake and Exhaust System.....	3
3.0 Clutch System	5
4.0 Power Pack Assembly	7
5.0 Steering & Brake System	9
6.0 Parking Brake	11
7.0 Vehicle Body & Firewall.....	13
8.0 Frame & Drive System	15
9.0 Fuel System & Seat Assembly	17
10.0 Electrical System.....	19

1.0 Transmission

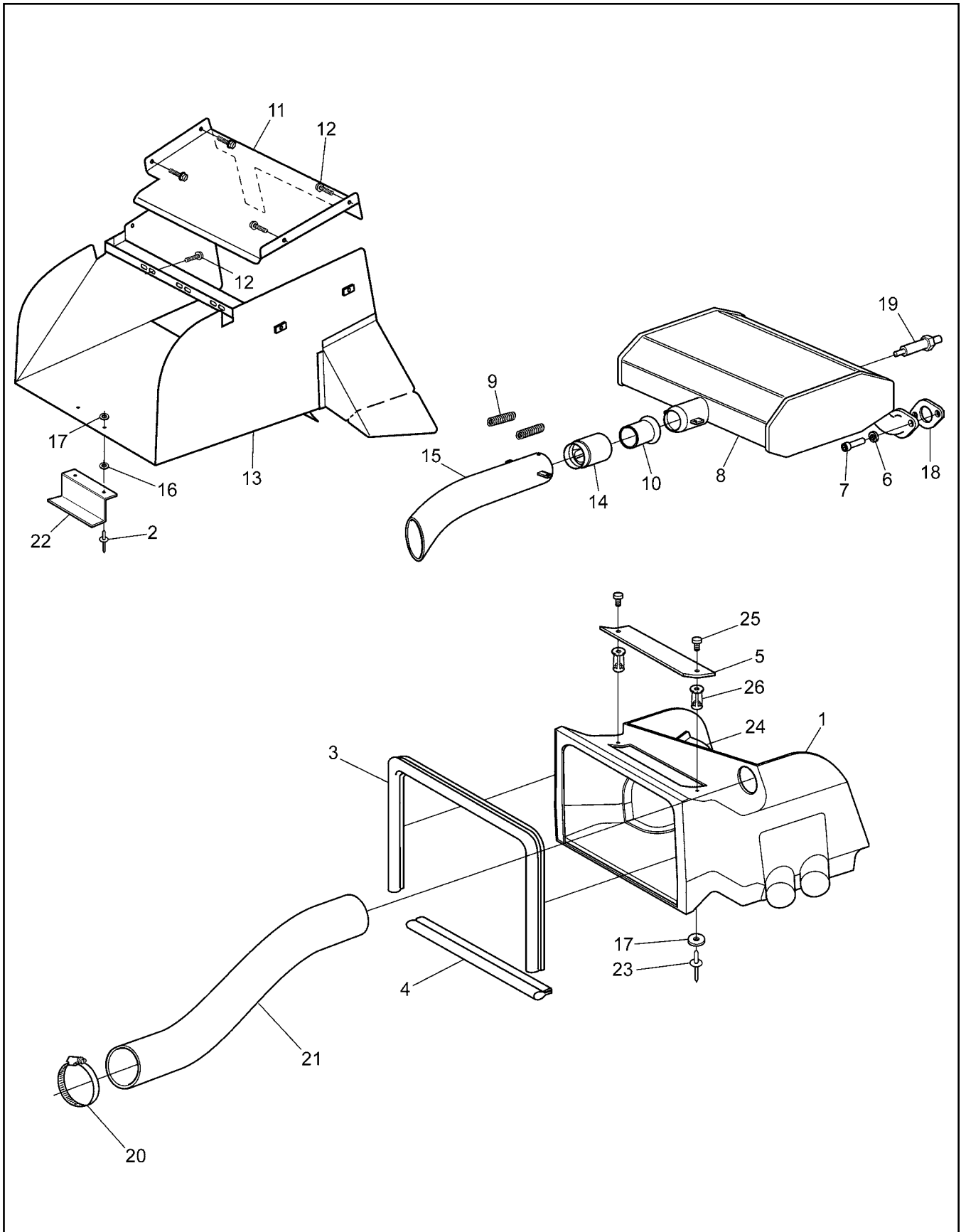
HDi/HD Parts Manual



HDi/HD Parts Manual

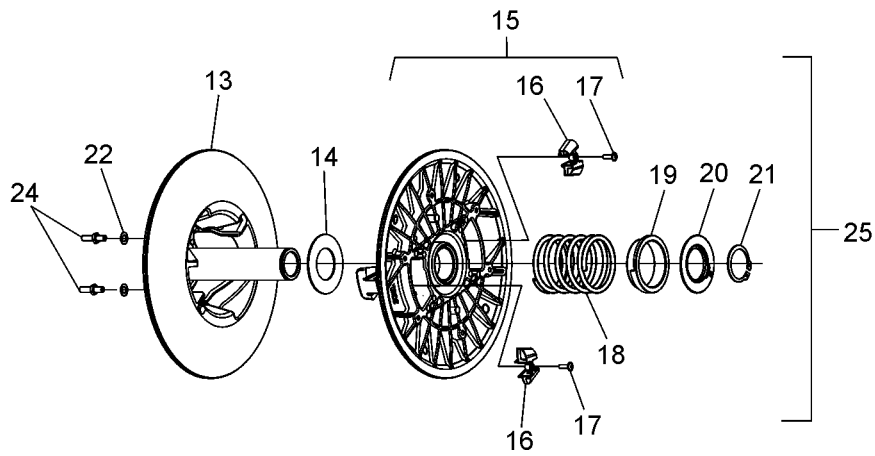
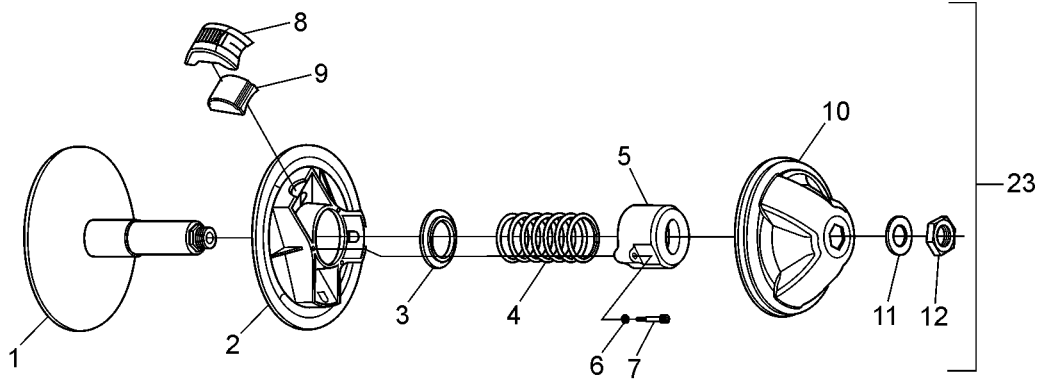
1.0 Transmission

Ref.	Qty.	Part #	Description	Ref.	Qty.	Part #	Description
	1	34-200-6.4	Transmission Admiral 6.4 Ratio	59	1	34-241	Bracket, Switch, Spring Mount
	1	34-200-8.4	Transmission Admiral 8.4 Ratio	60	1	34-206	Cage, Differential
1	1	101-01	Bearing, Ball 6204Z-C3	61	1	34-208	Shaft, Idler
2	3	101-73	Bearing, Ball 6307 CL.N.	62	1	34-209	Pinion, Helical - 27T
3	2	101-76	Bearing, Tapered Roller 32008X	63	1	34-210	Pinion, Helical - 31T
4	2	101-81	Bearing, Ball 6307 ZZE	64	1	34-246	Gear, Helical - 33T
5	8	101-82	Bearing, Needle K15x21x17		1	34-248	Gear, Helical - 37T- 8.4 Ratio
6	2	101-83	Bearing, Needle KJ37x42x27S	65	1	34-212	Pinion, Helical - 45T
7	2	101-84	Bearing, Needle HK3012	66	1	34-213	Shaft, Input
8	2	101-40	Bearing, Ball 6305 Open	67	1	34-214	Pinion, Reverse - 21T,12Dp
9	3	101-86	Bearing, Ball 6305 Zz	68	1	34-247	Pinion, Forward - 29T,12Dp
10	1	101-87	Bearing, Needle HMK20x27x25		1	34-249	Pinion, Forward - 25T,12Dp
11	1	101-88	Bearing, Ball 60/28	69	1	34-216	Shaft, Output
12	1	101-89	Bearing, Ball 60/28 Llu	70	8	34-217	Gear, Planet - 21T
13	1	101-90	Bearing, Needle HK2220	71	1	34-218	Shaft, Planetary Stub
14	2	102-33	Seal, Oil 35x80x10	72	1	34-219	Planetary Hub
15	1	613-151	Switch, Micro, Roller Lever	73	1	34-220	Pinion, Idler - 20T
16	4	105-23	Bushing, Dowel - .312 x .5	74	1	34-221	Shaft, Shift - Reverse
17	1	105-26	Bushing, Oilite .75x.875x.875	75	2	112-47	SHCS 1/4-20 x 1.0 Zn
18	8	105-27	Bushing, Oilite .5x.625x.625	76	1	34-223	Collar, Shift, Hi-Low
19	2	105-28	Bushing, Dowel .26x.625x.36	77	1	34-224	Collar, Shift, For-Rev
20	1	105-29	Bushing, Oilite 1.0x1.125x.75	78	8	34-225	Pin, Planet Carrier
21	1	105-30	Bushing, Flanged 1x1.375	79	1	34-226	Shaft, Output, Right
22	1	105-31	Bushing, Bronze 1.125x1.25x.625	80	3	108-35	Washer .53x1.06x.09 Zn
23	1	105-32	Bushing, Bronze 1.125x1.25x.875	81	3	102-37	Seal, Oil 25x62x7
24	5	106-05	Retaining Ring HO-244-PA	82	2	34-231	Shaft, Shift - F-N-R
25	16	106-22	Retaining Ring SH-0056-PA	83	4	34-232	Fork, Shift - Half
26	2	106-23	Retaining Ring SH-0137-PA	84	1	34-233	Plate, Detent
27	4	106-24	Retaining Ring H0-312-PA	85	1	34-242	Bracket, Spring Mount
28	3	106-25	Retaining Ring SH-0078-PA	86	8	112-18	SHCS 5/16x2.25
29	1	106-26	Retaining Ring H0-206-PA	87	1	34-235	Lever, Shaft - F-N-R
30	1	106-27	Retaining Ring SH-112-PA	88	4	34-236	Clamp, Lever Shaft
31	1	106-28	Retaining Ring SHR-0112-PA	89	3	106-30	Retaining Ring E-0050 E
32	1	107-15	Retaining Ring SHR-98-PA	90	1	34-227	Housing, Admiral, Left (includes Ref. # 92)
33	2	106-31	Retaining Ring C-0137				
34	2	34-207	Gear, Sun - 81T, 35T	91	1	34-228	Housing, Admiral, Right
35	8	108-93	Washer, .59x1.10x.06	92	1	34-258	Plunger, Ball - Nose Spring
36	2	108-94	Washer, Thrust 1.25x1.688x.125	93	4	117-92	Nut, Hex Machine #8-32 Zn
37	1	108-96	Spacer, 1.125x1.5x1.083	94	1	103-02	Plug, Magnetic 3/8-18Npt Sq.Hd
38	1	108-97	Spacer, 1.01x1.3x.409				
39	4	108-98	Washer, Thrust 1.13x1.46x.062	95	11	108-05	Lockwasher 5/16 Split-Ring Zn
40	2	108-99	Washer, Thrust .79x1.25 x .06				
41	10	112-143	SHCS 5/16 x 1.25 Zn	96	2	104-03	Pin, Dowel 1/4x7/8
42	8	112-184	SHCS, 10-32 x 1	97	2	108-03	Lockwasher 1/4 Split Ring Zn
43	2	103-69	SHCS, 1/4-20 x 1.5 Zn	98	2	105-33	Bushing, Flange
44	2	114-16	Washer, SHIM .99x1.375x.030	99			See Section 4.0 Power Pack
45	1	114-17	Washer, Thrust .866x1.181x.039	100	2	106-29	Retaining Ring SH-0093-PA
46	1	114-18	Spacer, .865x1.0x1.75	101	2	102-36	Seal, Shift Shaft - 0.5x.75x.125
47	1	114-19	Spacer, 1.12x1.375x.148				See Section 6.0 Parking Brake
48	2	114-21	Spacer, .51x.75x.36	102			
49	1	114-22	Spacer, 1.585x1.75x.245				
50	1	34-245	Plug, Fill/Vent 1/2 BSP	103	1	127-195	Spring, Ext., .75 x 2.73
51	1	34-251	Site Glass, 1/2 BSP Aluminum	104	2	112-172	SHCS 5-40 x 3/4 Zn
52	2	127-186	Spring, Comp. 0.70x1.28	105	2	112-173	Locknut, #5-40 Zn
53	1	127-194	Spring, Ext .360x3.0	106	1	613-112	Wire Harness, Neutral Start
54	2	34-201	Shaft, Brake	107	2	112-195	SHCS 8-32 x 1.5 Stainless
55	4	34-202	Gear, Planet - 15T	108	2	34-257	Coupler, Output Shaft, Press Fit
56	2	34-203	Pinion, Spur - 46T				
57	1	34-204	Gear, Helical - 55T	109	1	609-44	Boot, F-N-R Shifter
58	1	34-205	Gear, Helical - 67T	110	1	127-189	Knob, 1.58" Dia. x 1/2-13



Ref.	Qty.	Part #	Description
1	1	809-03	Duct, Intake
2	2	120-13	Rivet, 3/16 x 3/4 - Black
3	2	809-166-35	Seal, 35" Long
4	2	809-06	Seal, Radiator - 16.25" LG
5	1	601-111	Cover Plate, Intake Duct
6	4	108-05	Lockwasher 5/16 Split Ring Zn
7	4	112-30	SHCS M8 x 1,25 x 20mm Zn
8	1	607-142	Muffler Ass'y, Kohler 750 EFI
8a	1	607-143	Muffler Ass'y, Kohler 700
9	2	127-187	Spring, Extension - 17/32 x 3.75
10	1	607-135	Tube, Muffler, Flared x 2.0
11	1	607-168	Shield, Heat - Muffler, Avg
12	7	112-19	Screw, IHWH T/C Slot 1/4-20 x 1/2
13	1	607-167	Duct, Exhaust, Avenger
14	1	607-171	Spark Arrestor, ODG
15	1	607-166	Pipe, Tail - Ass'y 8.00
16	2	125-58	Washer, Fibre - W-77F
17	12	120-04	Washer, .19 x .50 x .08 Zn
18	2	24 041 49	Gasket, Exhaust Manifold
19	1		See Section 4.0 Power Pack Assembly
20	1	100-128	Clamp, Gear 2.25"
21	1	848-194	Hose, Intake Flex 2" Dia. x 24"
22	1	607-170	Support, Exhaust Duct - Avenger
23	13	120-09	Rivet, 3/16 x 1.0 Black
24	1	809-04	Shroud, Intake Duct
25	2	117-89	Thumbscrew, 1/4-20 x 1, Nylon
26	2	117-53	Nut, Jack 1/4-20 8L-Jns Zn

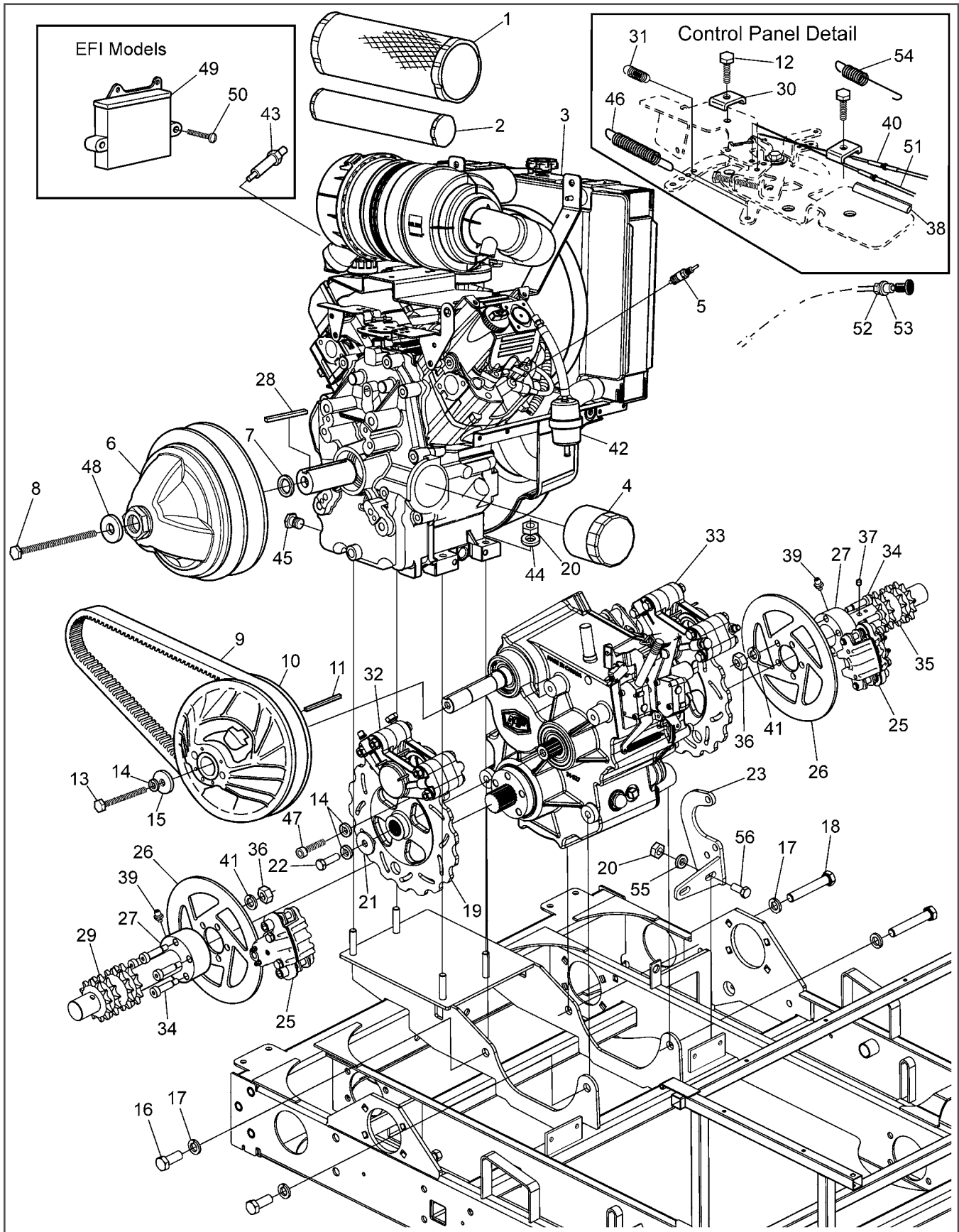
3.0 Clutch System



Ref.	Qty.	Part #	Description
1	1	0405-0075	Flange, Fixed
2	1	0410-0026	Flange, Sliding
3	1	0150-1014	Spring Guide Washer
4	1	0451-1114	Spring
5	1	0440-0005	Spring Cover
6	3	0080-0167	Lockwasher
7	3	0080-0021	Screw, Cap
8	3	0130-3012	Block
9	3	0135-3062	Weight (240gr) - EFI Model
	3	0135-3065	Weight (275gr) - 700 Models
	1	127-208	Weight Set (3), 185g - High Elevation
	1	127-209	Weight Set (3), 220g - High Elevation
	1	127-210	Weight Set (3), 240g - High Elevation
10	1	0115-0047	Cap
11	1	0080-0153	Washer, Zn
12	1	0080-0100	Nut
13	1	5905-0003	Flange, Fixed
14	1	0080-0164	Washer, Shim
15	1	5910-0002	Flange, Sliding
16	3	5930-3001	Cam Shoe
17	2	0080-0031	Screw
18	1	5951-1009	Spring
19	1	5950-3003	Spring Protector
20	1	5950-3002	Spring Support
21	1	0080-0216	Retaining Ring, Outside
22	2	0080-0167	Lockwasher
23	1	127-157	Clutch, Driver - EFI Models
	1	127-135	Clutch, Driver - 700 Models
24	2	0080-0035	Screw & Nut Ass'y
25	1	127-156	Clutch, Driven - INVANCE

4.0 Power Pack Assembly

HDi/HD Parts Manual



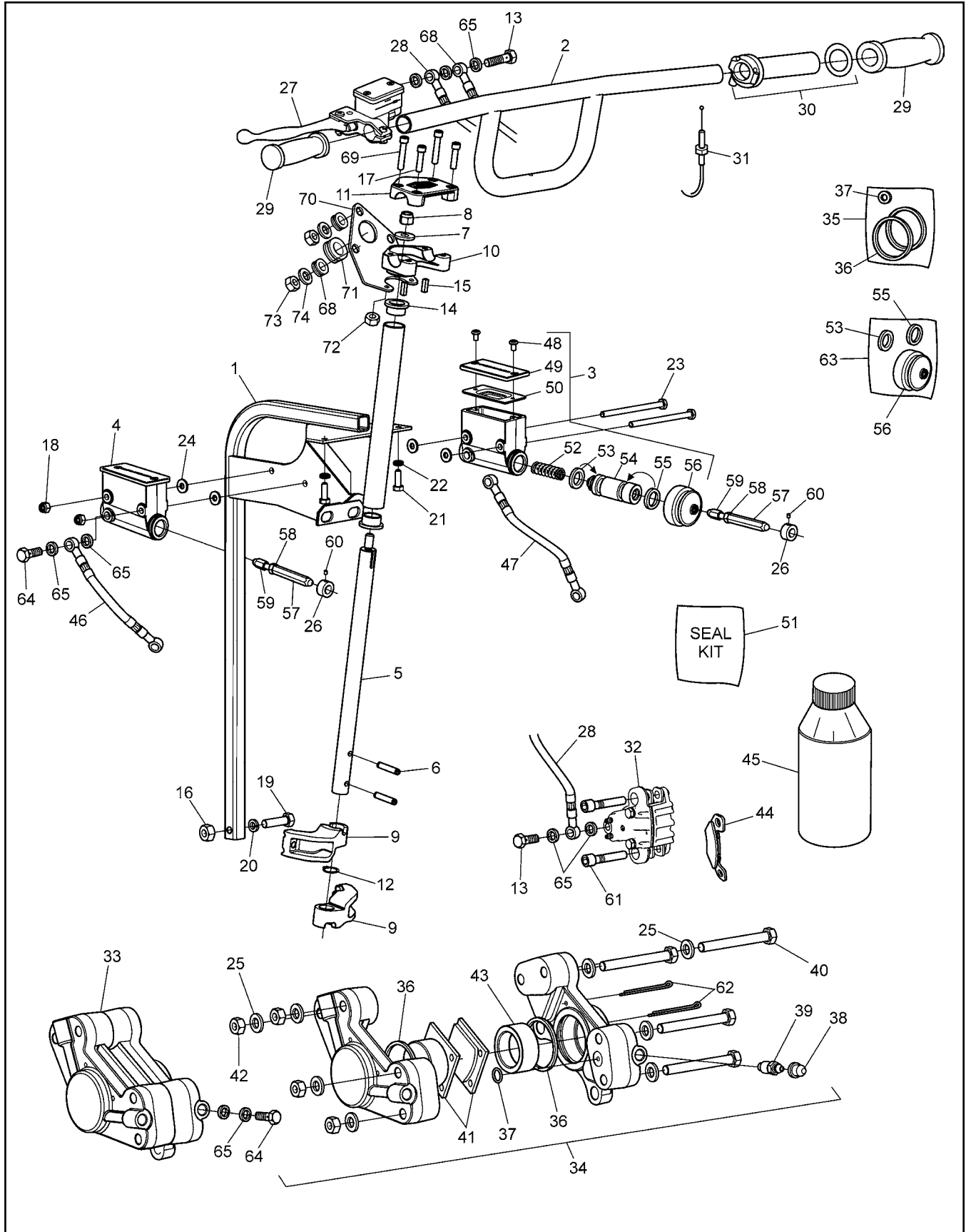
HDi/HD Parts Manual

4.0 Power Pack Assembly

Ref.	Qty.	Part #	Description	Ref.	Qty.	Part #	Description
1	1	25 083 01	Filter, Air	33			See Section 5.0 Steering & Brake System
2	1	25 083 04	Element, Inner				
3	1	LH775-3012	Kohler 31 HP Engine, EFI				
	1	LH690-3017	Kohler 26 HP Engine	34	10	112-201	Bolt, Shoulder M10 x 45
4	1	12 050 01	Filter, Oil	35	1	810-115	Shaft, Idler Spline, Short 11T
5		127-193	Sparkplug, RC14YC				
6			See Section 3.0 Clutch System	36	10	117-77	Locknut, Nylon - M8 x 1,25mm Zn8
7	1	108-84	Washer, Engine Clutch	37	1	613-127	Magnet, Speedometer
8	1	112-160	HHCS, 7/16-20 x 4.50" Lg	38	1	607-172	Sleeve, Thermo Protect 1/2" ID
9	1	127-137	Drive Belt - 10.5" Cen. Dist				
	1	127-137HD	Drive Belt - Avg/HDi Heavy Duty (Opt.)	39	2	100-127	Fitting, Grease STR 1/4-28 TPR (From S.N. 31096)
10			See Section 3.0 Clutch System	40	1	612-116	Cable Asm., Throttle
11	1	110-03	Key 1/4 x 3/16 x 2.375 RC46	41	10	108-05	Lockwasher 5/16 Split-Ring Zn
12	1	M-545016	Screw, Clamp Cable (Kohler #)	42	1	125-64	Filter, Fuel
13	1	112-164	HHCS 3/8-16 x 3.5 Gr5 Zn	43	1	24 418 05	Sensor, Oxygen
14	8	108-06	Lockwasher 3/8 Split Ring Zn	44	4	108-26	Washer, .43 x 1.02 x .09 Zn
15	1	108-46	Washer .40 x 1.37 x 1.2 Hi-Carbon	45		112-156	Plug, Oil Drain 3/8-18 NPT Hex
16	2	112-189	HHCS 1/2-13 x 1.25 Gr5 Zn	46	1	24 089 46	Spring, Governor (Kohler #)
17	4	108-07	Lockwasher 1/2 Split Ring Zn	47	4	103-41	SHCS 3/8-16x1.25 Zn
18	2	112-190	HHCS 1/2-13 x 3.0 Gr5 Zn	48	1	108-58	Washer, .47 x 1.37 x 12 Hi-Carbon
19	2	165-22	Disc, Brake - Admiral	49	1	66 584 05	ECU (c/w engine)
20	8	117-29	Locknut, Nylon 3/8-16 Zn	50	2	112-161	PHMS, 10-24 x 2.5
21	2	108-18	Washer .40 x 1.37 x .12 Zn	51	1	612-92	Cable Ass'y, Choke
22	2	103-18	HHCS 3/8-24 x 1.25 Gr5 Zn	52	1	117-68	Nut, Jam 3/8-24 UNF Zn
23	1	165-41RH	Asm, Caliper Mnt - RH	53	1	108-32	Lockwasher 3/8 Int. Tooth
24	1	165-41LH	Asm, Caliper Mnt - LH (not shown)	54	1	127-49	Spring, Extension
25			See Section 5.0 Steering & Brake System	55	4	108-47	Washer .39x.94x.13 Zn
26	2	165-25	Disc, Brake, Service	56	4	112-31	HHCS 3/8-16x1.0 2B Gr8 Zn
27	2	810-117	Coupler, Idler Shaft				
28	1	110-18	Key 1/4 x 1/4 x 1.75				
29	1	810-116	Shaft, Idler, Spline, Long 11T				
30	1	12 237 01	Clamp, Cable (Kohler #)				
31	1	24 089 51	Spring, Throttle (Kohler #)				
32			See Section 5.0 Steering & Brake System				

5.0 Steering & Brake System

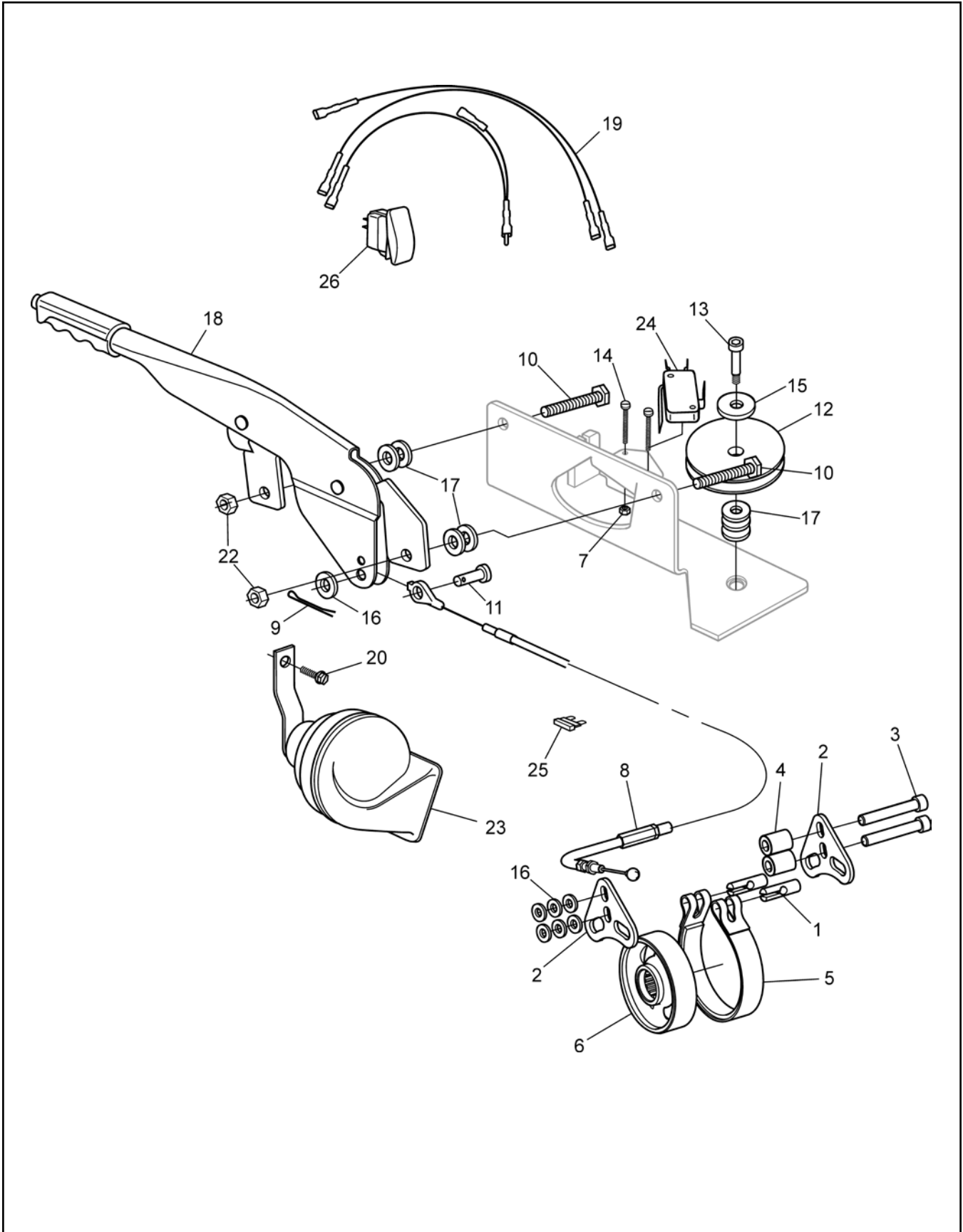
HDi/HD Parts Manual



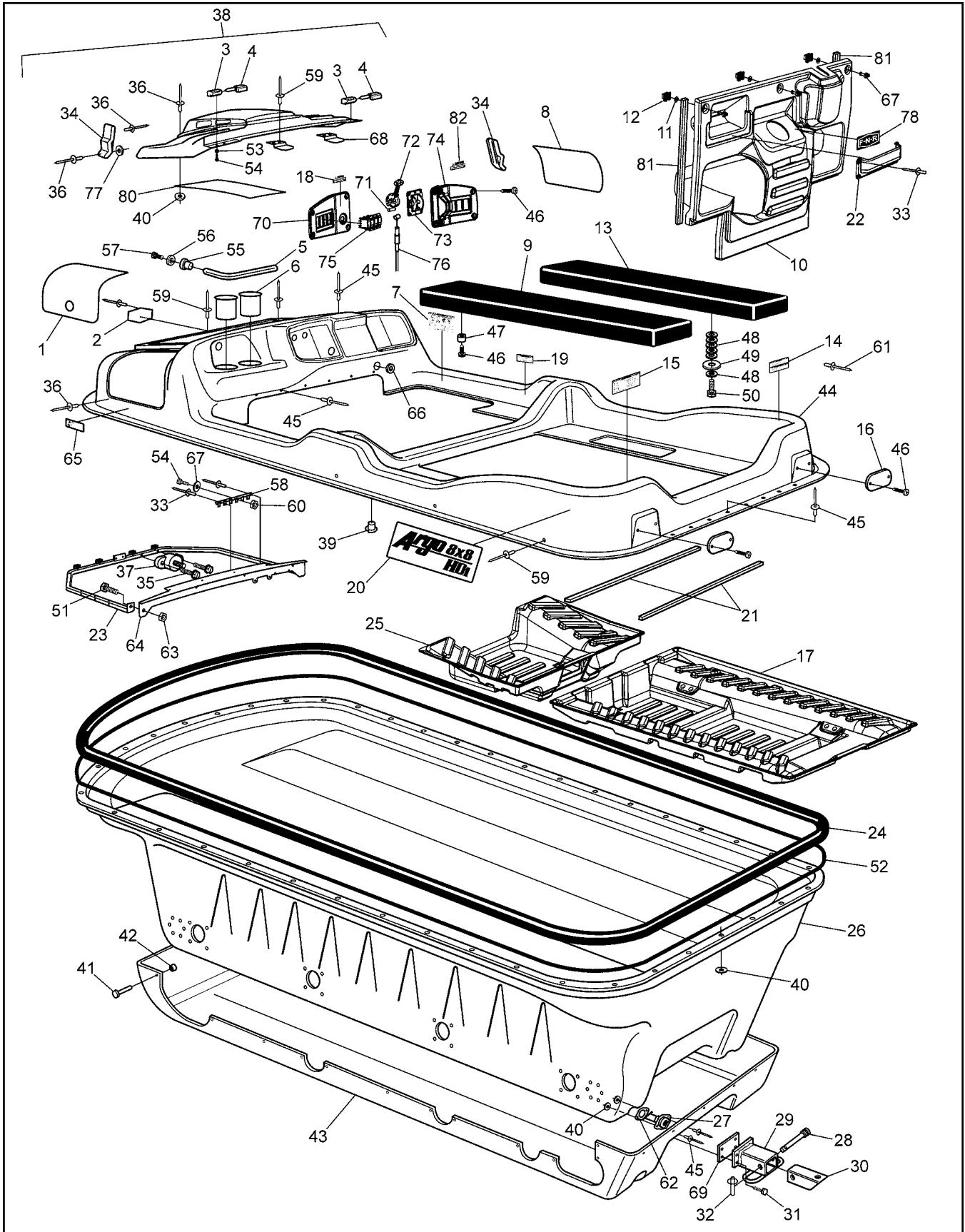
Ref.	Qty.	Part #	Description	Ref.	Qty.	Part #	Description
1	1	612-133	Frame Ass'y- Steering Column HDi	45		126-19	Fluid, Brake-Silicon Dot 5 - .35L
2	1	612-107	Handlebar Assembly	46	1	163-05	Hose Asm, Hydraulic - Left
3	1	165-08	Master Cylinder, Grimeca - R	47	1	163-06	Hose Asm, Hydraulic - Right - SS
4	1	165-07	Master Cylinder, Grimeca - L	48	2x2	160-42	Screw, FHMS M5 x 0,8 x 6mm
5	1	612-128	Shaft, Steering - Avenger	49	2x1	168-08	Cover
6	2	104-42	Pin, Spring 1/4 x 1.5"	50	2x1	168-09	Cover, Rubber
7	1	108-47	Washer, .39 x .94 x .13 Zn Di-chr	51	1	165-37	Piston Seal Kit - Wilwood
8	1	117-29	Locknut, Nylon 3/8-16 Zn	52	2x1	162-08	Spring, Comp. 17.3 x 49.3mm
9	2	612-124	Arm, Steering	53	2x1		Seal, Primary, 19mm (See Ref. 63)
10	1	612-106	Clamp, Lower Handlebar	54	2x1	168-10	Piston 19mm dia.
11	1	612-105	Clamp, Upper Handlebar	55	2x1		Seal, Secondary, 19mm (See Ref. 63)
12	1	106-07	Ring, Retaining SH-0075PA	56	2x1		Boot, Rubber (See Ref. 63)
13	2	112-194	Bolt, Banjo, M10x1.0, Double	57	2	812-30	Pin, Female
14	2	105-16	Bushing, Oilite - 3/4 x 1/2	58	2	117-03	Nut, Fin Hex 1/4-20 Zn
15	2	110-17	Key, 3/16 x 3/16 x .625	59	2	812-31	Fin, Male
16	1	117-21	Locknut, Nylon 5/16-18 Zn	60	2	112-02	SHSS 10-24x1/4 Knurl Cup PT, PL
17	2	112-47	SHCS, 1/4-20 x 1.0 Zn	61	4	165-38	Caliper Pin, Service Brake HDi
18	2	117-27	Locknut, Nylon 1/4-20 Zn	62	2x2	168-07	Pin, Cotter 1/8 x 3.00 Zn
19	1	112-155	C/Bolt 5/16-18x1.25 Gr2 Zn	63	2x1	161-25	O-Ring Kit - Master Cylinder - Grimeca (incl. Ref. 53, 55 & 56)
20	1	108-24	Washer, .34 x .70 x .06 Zn	64	4	160-44	Bolt, Banjo - M10 x 1,0 x 21,0
21	2	112-04	HHCS 1/4-20 x 3/4 Gr2 Zn	65	13	160-01	Washer, Copper - 1,5 x 10,0 x 14,0
22	2	108-03	Lockwasher 1/4 Split Ring Zn	68	1	165-35	Brake Line, Driver Side
23	2	103-66	HHCS, 1/4-20 x 4.0 Gr5 Zn	69	2	103-69	SHCS 1/4-20 x 1.5 Zn
24	4	108-08	Washer, .28 x .62 x .04 Zn	70	1	612-132	Bracket, LCD Gauge - Painted
25	2x8	108-24	Washer, .34 x .70 x .06 Zn	71	1	128-27	Grommet 1-1/4ID x 1-1/2x3/32
26	2	812-17	Collar	72	2	117-86	Nut, Acorn, 1/4-20 Zn
27	1	165-31	Handbrake, Left Hydraulic	73	3	117-85	Nut, Acorn, M5 Zn
28	1	165-34	Brake Line, Passenger Side	74	3	120-04	Washer .19 x .50 x.08 Zn
29	2	127-35	Grip, Molded				
30	1	127-81	Throttle Twist Grip				
31	1	612-116	Cable Asm., Throttle				
32	2	165-32	Caliper, Service (does not include Ref. 61)				
33	1	166-10	Caliper, Hydraulic Brake - L w/o pads				
34	1	166-11	Caliper, Hydraulic Brake - R w/o pads				
35	2	161-05	O-ring Kit, Knott Caliper				
36	2		Seal, Piston				
37	2		Seal, Rubber				
38	2x1	168-20	Plug, Rubber				
39	2x1	168-02	Screw, Bleeding, Knott Caliper				
40	2x4	112-154	SHCS, 5/16-18 x 2.75 Zn				
41	1	170-03	Pad Set (4), Brake - Non-Asbestos				
42	2x4	117-03	Nut, Fin Hex 5/16-18 Zn				
43	2x2	168-01	Piston, Knott Caliper				
44	1	165-36	Brake Pad (4) Replacement - Kit				

6.0 Parking Brake

HDi/HD Parts Manual



Ref.	Qty.	Part #	Description
1	3	104-57	Pin, Slotted .375 x 1.25
2	2	165-27	Bracket, E-Brake
3	2	112-185	SHCS 5/16 x 2.0 Zn
4	2	114-23	Spacer, .34 x .63 x .80
5	1	165-28	Band, Brake
6	1	34-243	Drum, E-Brake
7	2	112-173	Locknut, #5-40, Zn
8	1	165-33	Cable, Parking Brake - HDi
9	1	100-100	Pin, Cotter 1/8x3/4 Zn
10	2	103-06	HHCS 5/16-18x1.0 Gr5 Zn
11	1	104-27	Pin, Clevis 5/16x.75" Zn
12	1	850-79	Pulley, Parking Brake Cable
13	1	112-178	Bolt, Shoulder, 1/2 x 5/8
14	2	112-172	SHCS 5-40 x 3/4 Zn
15	1	108-35	Washer .53 x 1.06 x .09 Zn
16	6	108-24	Washer .34x.70x.06 Zn
17	7	108-47	Washer .39x.94x.13 Zn Di-Chro
18	1	809-147	Lever, Parking Brake
19	1	848-176	Harness, Horn Momentary*
20	1	112-19	Screw,IHWH T/C Slot 1/4-20x1/2*
22	6	117-21	Locknut, Nylon 5/16-18 Zn
23	1	848-87	Horn, Electric*
24	1	613-120	Switch, Micro, Lever
25	1	118-52	Fuse, 10A 2-Prong (AT010)*
26	1	848-175	Switch, Horn Momentary*
			*If equipped



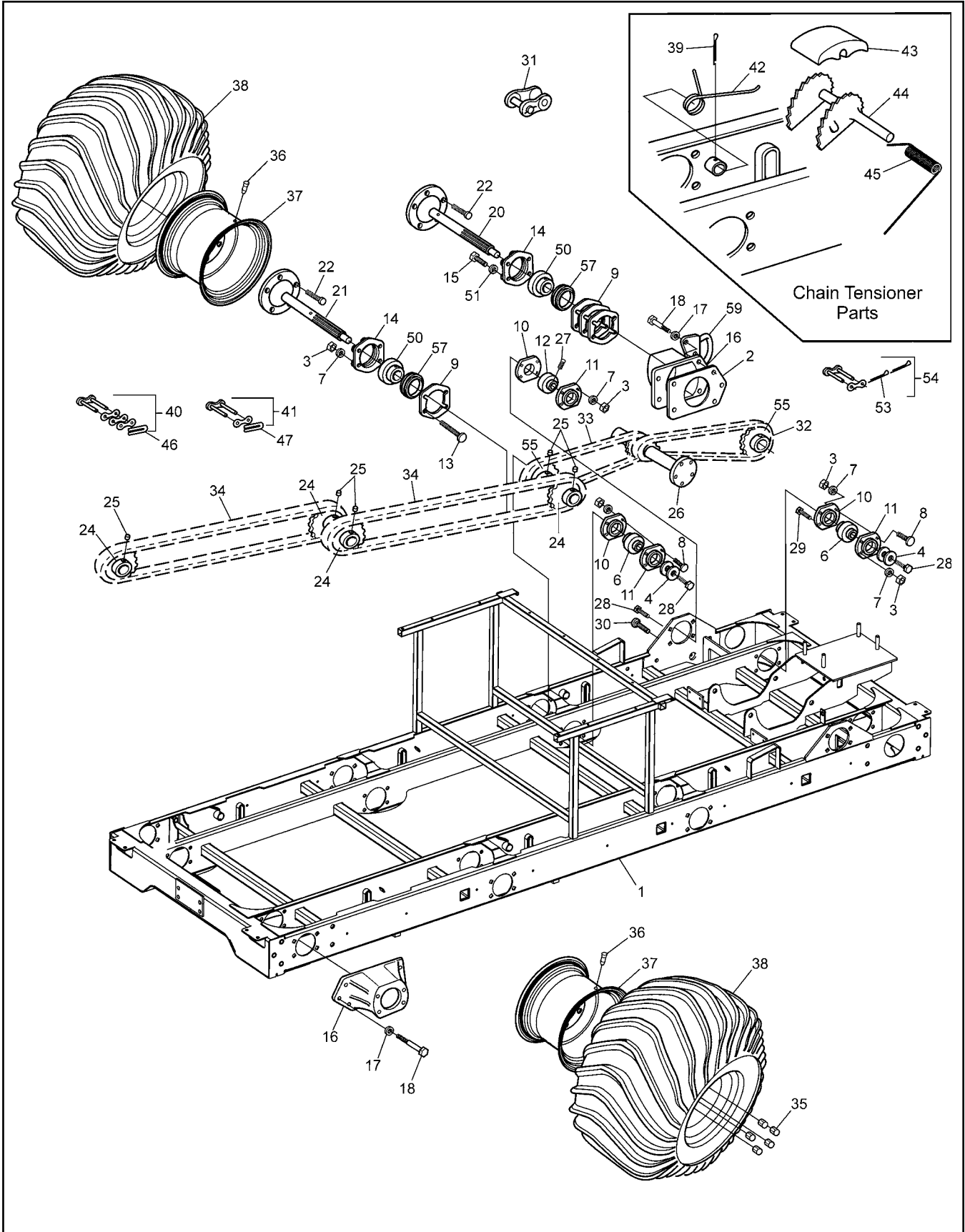
HDi/HD Parts Manual

7.0 Vehicle Body & Firewall

Ref.	Qty.	Part #	Description	Ref.	Qty.	Part #	Description
1	1	707-43	Screen - Exhaust	43	1	801-51	Skid Plate, 8x8 - Black
2	1	601-44	Nameplate, "Argo"	44	1	801-194	Body & Hood 8x8 HDi 750, (spec. colour) (incl. 23, 33, 34, 38)
3	2	127-45B	Knuckle, Hinge				
4	2	127-45A	Pin, Hinge				
5	1	601-101BL	Tube, Dash Handle	45	115	120-09	Rivet 3/16 x 1 - Black
6	2	100-109	Cup holder Insert	46	16	103-48	T/S Pan HD PHIL #10 x 5/8
7	1	126-68	Plate, Operation	47	4	126-79	Bumper, Plastic - Black
8	1	707-42	Screen, Intake	48	24	108-25	Washer .31 x .75 x .06 Zn
9	1	608-64	Seat, Rear - Left	49	4	603-15	Washer, Plastic 5/16 Hole
10	1	609-42	Firewall, Admiral	50	4	103-08	HHCS 1/4-20 x 1.0 Zn
11	3	114-24	Retainer, Q-Turn Washer	51	2	112-04	HHCS 1/4-20 x 3/4 Gr2 Zn
12	3	117-91	Receptacle, Q-Turn	52	1	126-60	Vinyl Strip, 1/2" x 1/4" x 37.5'
13	1	608-65	Seat, Rear - Right	53	8	108-59	Lockwasher #10 Int. Tooth Zn
14	1	126-67	Plate, Floor Pan	54	9	103-47	HHCS 10-24 x 1/2
15	1	127-173	Plate, Vehicle Capacity	55	1	113-12	Insert, 1/2-13
16	2	127-01	Reflector, Red	56	1	108-35	Washer .53 x 1.06 x .09 Zn
17	1	803-64	Floor Pan, Rear - HDi	57	1	112-151	HHCS 1/2-13 x 1" Gr2 Zn
18	1	127-199	Label, Caution - Dash, HDi	58	1	613-37	Terminal Strip, Ground
19	1	126-69	Plate, Fuel	59	13	120-13	Rivet, 3/16 x 3/4 Black
20	2	127-196	Nameplate - Argo 750 HDi	60	1	117-10	Locknut, 10-24 N/I Zn
	2	127-216	Nameplate, 700 HD	61	38	120-24	Rivet, 3/32 x 3/8 Alum. (all plates)
21	2	601-09	Trim, Vinyl - 28"				
22	1	609-43	Glove Box, Firewall, HDi	62	2	100-114	Gasket, Drain Plug
23	1	602-49	Frame Ass'y, Hood - Front	63	2	117-82	Locknut, Flange 1/4-20 Zn
24	1	801-05	Bumper, Vinyl - 8x8	64	1	602-51	Frame Ass'y, Hood - Rear
25	1	803-63	Floor Pan, Front - HDi	65	1	127-144	Label, Warning - HOT
26	1	801-50	Body, Lower	66	1	128-26	Grommet, 1-1/2ID x 1-3/4x1/4
27	2	100-107	Plug, Drain - Flanged	67	3	112-193	Stud, Q-Turn
28	1	104-13	Pin, Toplink - 3/4 x 2.75	68	2	602-52	Clip, Hood
29	1	616-16	Hitch Assembly	69	1	616-20	Gasket, Rear Hitch
30	1	616-19	Tube, Hitch	70	1	601-113	Panel, Dash - Left, HDi
31	4	103-61	HHCS 3/8-24 x 1.5 Gr5 Zn	71	1	104-66	Pin, HD Shift Cable Threaded
32	1	104-11	Pin, Lynch - Ring	72	1	127-212	Pivot, Hi-Lo Shifter
33	12	120-15	Rivet - 1/8 x 7/16	73	1	127-211	Bracket, Hi-Lo Shifter
34	2	602-56	Latch, Hood - Soft Draw	74	1	601-112	Panel, Dash - Right, HDi
35	2	112-51	Screw, IHWH T/C #10-24x5/8	75	1		See Section 10.0 Electrical System
36	34	120-11	Rivet 5/32 x 9/16 - Black	76	1	127-223	Cable, Hi-Lo Shift Threaded
37	1	613-123	Post, Power, 5/16-18, Red	77	6	120-05	Washer .19 x .50 x .04 Zn
38	1	602-70	Hood Ass'y, Avg/HDi 8x8 (specify colour) (incl. 3, 4, 34, 36, 40, 45, 53, 54, 59, 67, 68, 79, 80)	78	1	127-200	Label, F-N-R - HDi
39	2	117-44	T- Nut 1/4-20 Zn	80	1	602-68	Screen, 1 Pc Hood/Scoop
40	92	120-04	Washer .19 x .50 x .08 Zn	81	2	809-166-15	Seal, 15" Long
41	32	120-27	Pin, Magna Grip	82	1	127-221	Label, Shift Warning
42	32	120-28	Collar, Magna Grip				

8.0 Frame and Drive System

HDi/HD Parts Manual



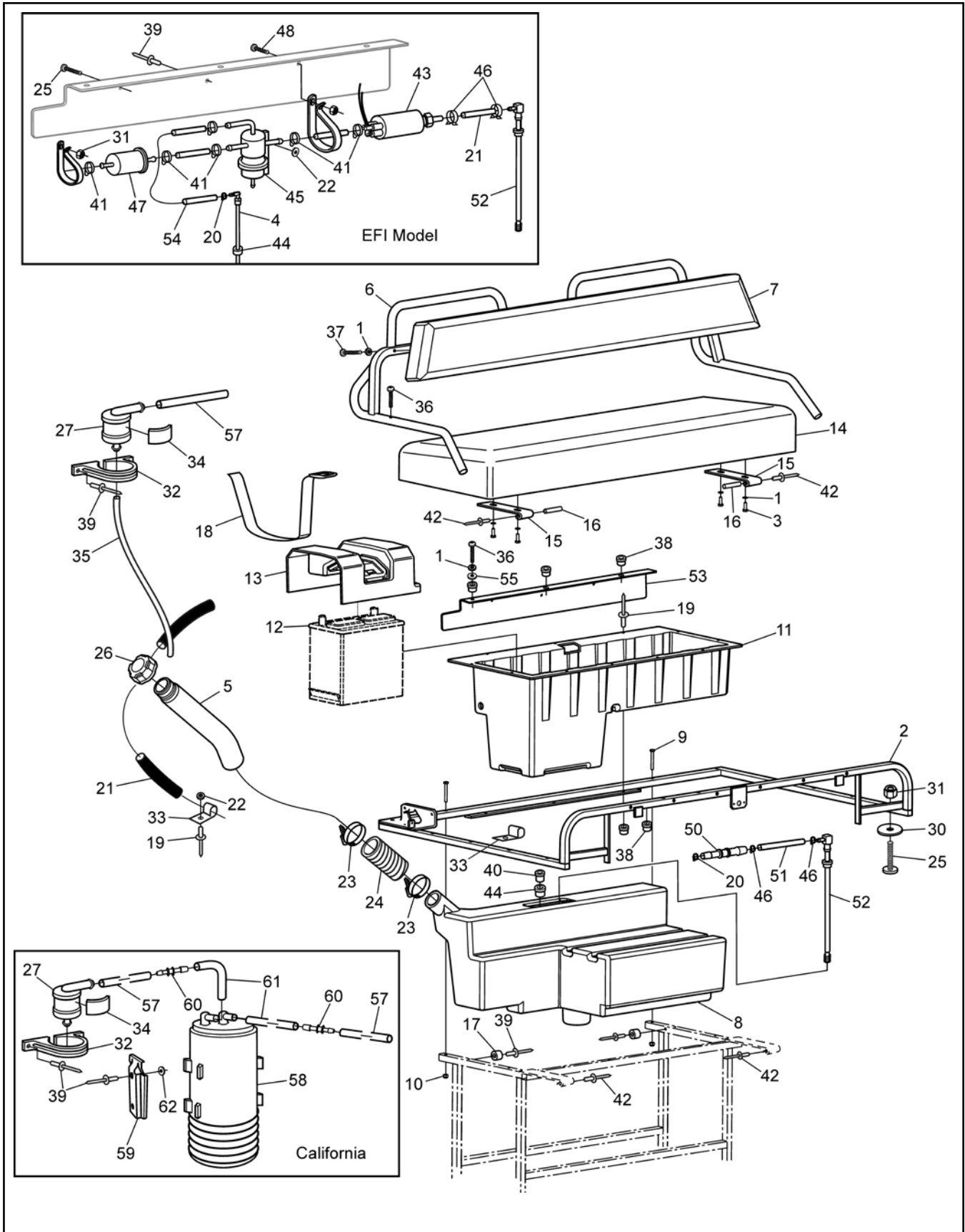
HDi/HD Parts Manual

8.0 Frame and Drive System

Ref.	Qty.	Part #	Description	Ref.	Qty.	Part #	Description
1	1	804-125	Frame Asm - 8x8 HDi-HR	42	6	127-65	Spring Torsion - 1.16x0.35
2	4	606-25	Gasket - Bearing Extension	43	6	606-44	Slider Block
3	80	117-29	Locknut, Nylon 3/8-16 Zn	44	6	606-82	Tensioner Asm, Chain
4	16	108-46	Washer .40 x 1.37 x .12 Hi-Carbon	45	6	127-64	Spring, Torsion - .76 x 1.9
6	8	101-41	Bearing, Ball - 1.0	46	4	603-95	Spring Clip - RC 50 Closed
7	96	108-15	Washer, .42 x .81 x .05 Zn	47	4	603-96	Spring Clip - RC 60 Closed
8	31	103-88	C/Bolt 3/8-16 x 1.0 Gr5 Zn	50	8	101-95	Bearing, Ball - 1.25 x 72mm
9	16	606-90	Gasket, Flange - 72mm	51	16	108-06	Lockwasher 3/8 Split Ring Zn
10	20	606-91	Flange - 4 Hole Hd	53	4	104-35	Pin, Cotter 2mm x 12mm
11	10	606-92	Flange, Greasable - 4 Hole Hd	54	2	127-188	Link, Con. #60 Lambda
12	2	101-96	Bearing, Ball - 1.25x1.5 No Grv	55	4	810-118	Sprocket, D50 x 25T
13	16	112-187	C-Bolt 3/8-16x2.0 Gr5 Zn	57	8	606-89	Carrier, Axle Bearing
14	8	606-88	Flange Ass'y, Outer Bearing	59	2	642-47	Tie Down Bracket
15	16	103-68	HHCS 3/8-16 x 2.0 Gr5 Zn				
16	4	810-112	Bearing Extension w/nuts				
17	20	108-34	Washer .47 x .94 x .06 Zn				
18	20	112-181	HHCS 7/16-20 x 1.75 Gr5 Zn				
20	4	810-92	Axle Asm - Front/Rear HD				
21	4	810-113	Axle Asm - Mid HD				
22	5x8	112-183	Stud, Wheel 7/16-20 x 1.5				
24	8	606-34	Sprocket, S60 x 19T				
25	10	112-03	SHSS 5/16-18 x 3/8 1/2 DOG, PL				
26	1		See Section 4.0 Power Pack Ass'y				
27	2	112-60	SHSS 1/4-28 x 1/2 Cup Pt.				
28	12	112-31	HHCS 3/8-16 x 1.0 2B Gr8 Zn				
29	1	112-163	HHCS 3/8-16 x 2.0 Gr5 Zn				
30	4	112-61	C/Bolt 3/8-16 x 1.25 Gr5 Zn				
31		127-80	Link, Half - RC60 - 1 (opt.)				
32	2	603-19	Chain, RC50-2x44P-Front (incl. Ref. 40)				
33	2	803-65	Chain, RC50-2x80P-Middle (incl. Ref. 40)				
34	4	803-57	Chain, RC60-1 x 90P-Rear (incl. Ref. 41)				
35	5x8	117-35	Nut, Wheel 7/16-20 Zn				
36	8	125-26	Valve, Tire				
37	8	127-61BL	Rim - 10 x 9 - Black				
38	8	127-182	Tire, Argo 25x12-9				
39	6	100-01	Pin, Cotter 1/8 x 1.50 Zn				
40	1x4	100-96	Con. Link, RC50-2 H.D.				
41	1x4	603-84	Con. Link, RC60-1 H.D.				

9.0 Fuel System & Seat Assembly

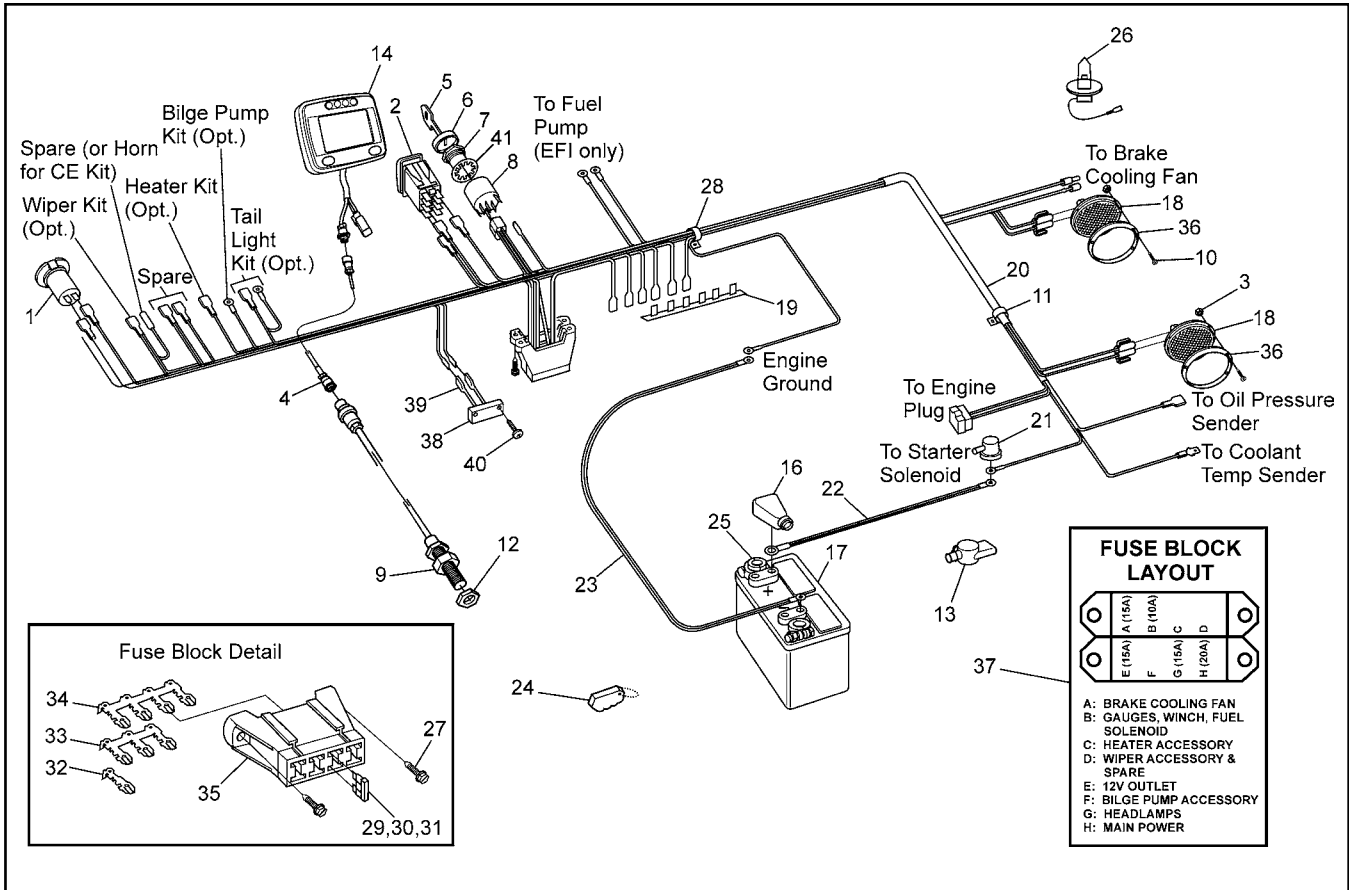
HDi/HD Parts Manual



Ref.	Qty.	Part #	Description	Ref.	Qty.	Part #	Description
1	11	108-03	Lockwasher 1/4 Split Ring Zn	47	1	24 050 03	Filter, Fuel Line - EFI - c/w engine
2	1	608-145	Frame Assembly, Seat HDi	48	1	103-25	PHMS, 10-24 x 3/4 Zn
3	4	112-04	HHCS 1/4-20x3/4 Gr2 Zn	50	1	808-133	Reducer, 5/16" to 1/4" Barbed
4	1	608-138	Return, Fuel Port	51	2"	608-69RM	Hose, Fuel - 5/16" ID Carb
5	1	608-140	Fuel, Fill Neck Assembly	52	1	608-127	Pick-up, Fuel, 5/16 105 Mesh
6	1	608-76	Frame Assembly, Backrest	53	1	601-122	Bracket, Support Body Upper Fuel
7	1	608-39	Back Pad Assembly	54	1	608-66	Hose, Fuel
8	1	608-122	Tank, Fuel Single Layer	55	3	108-08	Washer .28 x .62 x .07 Zn
	1	608-120	Tank, Fuel Low Permeation (for U.S.)				United States Vehicle Kit
9	2	103-77	HHCS, 1/4-28 x 2.0	8	1	608-120	Tank, Fuel Low Permeation
10	2	117-01	Locknut, Nylon 1/4-28 Zn	1	1	127-273	Plate, Serial Blank Double
11	1	608-54	Toolbox	1	1	127-274	Label, U.S EPA EVAP Approval
12	1	127-54	See Section 10.0 Electrical System	56	2	120-24	Rivet, Alum - 3/32 x 3/8 Black
13	1	608-55	Cover, Battery				California Vehicle Kit
14	1	608-88	Seat Assembly, Bench - Thick	8	1	608-120	Tank, Fuel Low Permeation
15	2	608-81	Hinge, Seat, Bolted	1	1	127-273	Plate, Serial Blank Double
16	2	104-43	Pin, 3/16" x 1-1/8"	1	1	127-274	Label, U.S EPA EVAP Approval
17	2	126-102	Bumper, Recessed Hole	39	2	120-13	Rivet - 3/16 x 3/4 Black
18	1	608-56	Strap, Battery	56	4	120-24	Rivet, Alum - 3/32 x 3/8 Black
19	17	120-09	Rivet 3/16x1 - Black		1	127-275	Label, Carb EVAP Approval
20	4	112-79	Clamp, Hose, 1/2" - Black	57	1	126-101RM	Hose, Vent 3/16" ID
21	1	608-69	Hose, Fuel 5/16" ID x 7.5' - Carb	58	1	609-45	Carbon Canister 800cc
22	9	120-04	Washer .19 x .50 x .08 Zn	59	1	609-46	Bracket, Carbon Canister
23	2	100-12	Clamp, Gear 2.25" HF-36	60	2	609-48	Reducer, Barbed 1/4" to 3/16"
24	1	125-94	Hose, Filler	61	2	127-160-3	Hose, 1/4ID x 3/8OD - 3" Long
25	11	112-07	RHMS 10-24 x 1.50 Zn	62	2	120-05	Washer .19x.50x.04 Zn
26	1	126-100	Fuel Cap, Tethered				
27	1	609-47	Valve, Rollover				
30	10	108-42	Washer .21 x 1.0x.06 Zn				
31	14	117-10	Locknut, Nylon #10-24 Zn				
32	1	609-50	Clamp, Rollover Valve				
33	7	126-93	Clamp, Nylon Wire - 1/2" ID				
34	1	126-60	Vinyl Strip 1/2" x 1/4"				
35	6'	127-160RM	Tubing, 1/4 ID Clear Plastic				
36	5	112-41	PHMS, Phil 1/4-20 x 1.25 Zn				
37	4	103-03	PHMS, Phil 1/4-20 x 1.50 Zn				
38	5	117-64	Insert, 1/4-20 Steel Cad Pltg.				
39	33	120-13	Rivet, 3/16 x 3/4 Black				
40	1	608-137	Plug, Push-In				
41	7	100-101	Clamp, Gear 1/2" HF or MH-4				
42	4	120-31	Rivet, 3/16" x 1/4, Open End				
43	1	24 393 52	Fuel Pump, EFI				
44	1	608-136	Grommet, Fuel Return				
45	1	24 403 16	Regulator, Fuel Pressure				
46	2	112-78	Clamp, Hose, 9/16				

10.0 Electrical System

HDi/HD Parts Manual



Ref.	Qty.	Part #	Description
1	1	613-90	Outlet, 12 Volt DC
2	1	613-153	Switch, Light
3	8	117-93	Nut, Speed #10
4	1	613-128	Cable, Extension, Speedo Pickup
5	2	127-108	Key, Molded
6	1	127-107	Bezel - Cover, Nut
7	1	127-106	Nut, Flanged - Plastic
8	1	127-105	Switch - Ignition
9	1	613-126	Sensor, Speedo Pickup
10	8	112-198	T/S Pan Hd Phil #10 x 1.25 Blk.
11	4	127-24	Clamp, Nylon - 1" ID
12	1	117-87	Nut, M12 x 1.25, Zn
13	1	613-124	Insulator, 2 Way w/cap, Red
14	1	613-130	Gauge, LCD
16	1	127-55	Cap, Battery Terminal - Red
17	1	127-54	Battery, Exide 45-60
	1	613-161	Battery, Optima - Argo (Opt.)
18	2	613-159	Headlight 37.5
19	2	613-37	Terminal Strip, Ground
20	1	613-117	Wire Harness, Kohler Carb
20a	1	613-118	Wire Harness, Kohler 31HP EFI

Ref.	Qty.	Part #	Description
21	1	613-46	Insulator, Terminal (2 ga.)
22	1	613-94	Wire, Positive Battery
23	1	613-95	Wire, Negative Battery
24	1	681-00	FOB, Key - Floating
25	2	127-56	Terminal, Battery Post
26	2	127-46	Bulb, Headlight - Halogen 37W
27	2	112-51	Screw, IHWH T/C #10-24 x 5/8
28	4	126-93	Clamp, Nylon Wire - 1/2" ID
29	1	118-52	Fuse, 10A 2 Prong (AT010)
30	2	118-49	Fuse, 15A 2 Prong (AT015)
31	1	118-53	Fuse, 20A 2 Prong (AT020)
32	9	118-62	Terminal - Fuse, single
33	1	118-63	Terminal - Fuse, triple
34	1	118-61	Terminal - Fuse, quad
35	2	118-60	Block - Fuse, 8 position (4 fuse)
36	2	613-152	Bezel, Headlamp
37	1	127-143	Label, Fuse Panel - Kohler
38	1	613-99	Light, Shifter Illumination
39	2	118-69	Terminal, 3/16 Male Blade 22 Ga
40	2	112-139	OHPS T/S #4 x 5/8 Black Zn
41	1	114-26	Lockwasher, 5/8 Int. Tooth

ARGO Products Manufactured by:

Ontario Drive & Gear Limited

220 Bergey Court

New Hamburg, Ontario

Canada N3A 2J5

Phone: (519) 662-2840

Fax: (519) 662-2421

www.argoatv.com

ODG *Dedicated to quality and performance*