

Argo 8x8
Frontier 650



Argo 8x8
Frontier 650
PARTS MANUAL

From Serial # ...30369

Foreword

ODG has prepared this parts manual for the 8x8 FRONTIER model to assist both qualified mechanics and vehicle owners in ordering correct, quality replacement ARGO parts. For the most current parts manual visit our website at www.argoatv.com.

Proper and regular service, and replacing old, worn or broken parts with the correct ARGO replacement parts, are both essential to prolonging the life of the ARGO. Please refer to this parts manual and/or our website www.argoatv.com before ordering any replacement part.

All information contained in this 8x8 FRONTIER Parts Manual is based on the latest product specification available at time of printing. If your 8x8 FRONTIER differs from the specifications contained in this manual, check our website www.argoatv.com for the most current information.

ODG reserves the right to alter specifications on the 8x8 FRONTIER model at any time, without obligation or prior notification.

Reproduction of this 8x8 FRONTIER Parts Manual, in whole or in part, is prohibited without prior written permission from Ontario Drive & Gear Limited.

Vehicle Identification

8x8 FRONTIER - Serial Nos.30369

Explanation of Parts Manual Format

| | |
|--------------------|--|
| Ref | - Reference number between assembly diagram and component parts list |
| Part No. | - Argo replacement part number for identification and re-ordering |
| Description | - Part description for identification and re-ordering |
| Qty | - Indicates the quantity of a part used in an assembly |

Argo 8x8

Frontier 650

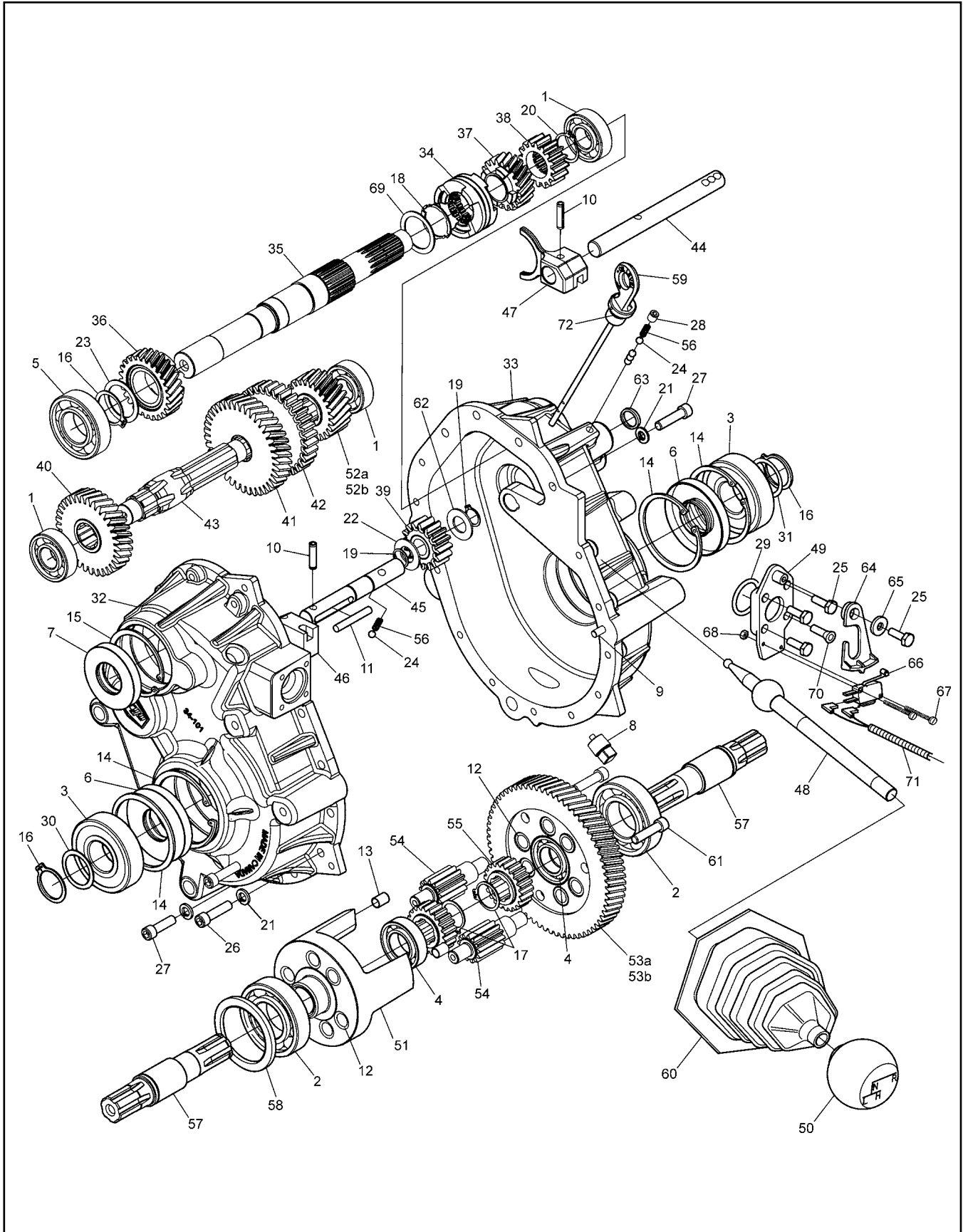


Using the Parts Manual

1. Find the major vehicle assembly in the Table of Contents on this page, and turn to that section.
2. Locate the part in the illustration that you wish to order.
3. Refer to the parts list in that section.
4. Find the correct part number (Part No.), part description (Description) and correct quantity (Qty).
5. Use *only* this information to order ARGO replacement parts. **DO NOT** attempt to order a replacement part by reference number or page number.

Table of Contents

| | |
|---------------------------------------|----|
| Foreword | i |
| Vehicle Identification..... | i |
| Using the Parts Manual | ii |
| 1.0 Transmission | 1 |
| 2.0 Intake and Exhaust System..... | 3 |
| 3.0 Clutch System | 5 |
| 4.0 Power Pack Assembly | 7 |
| 5.0 Steering & Brake System | 9 |
| 6.0 Parking Brake | 11 |
| 7.0 Vehicle Body & Firewall..... | 13 |
| 8.0 Frame & Drive System | 15 |
| 9.0 Fuel System & Seat Assembly | 17 |
| 10.0 Electrical System..... | 19 |

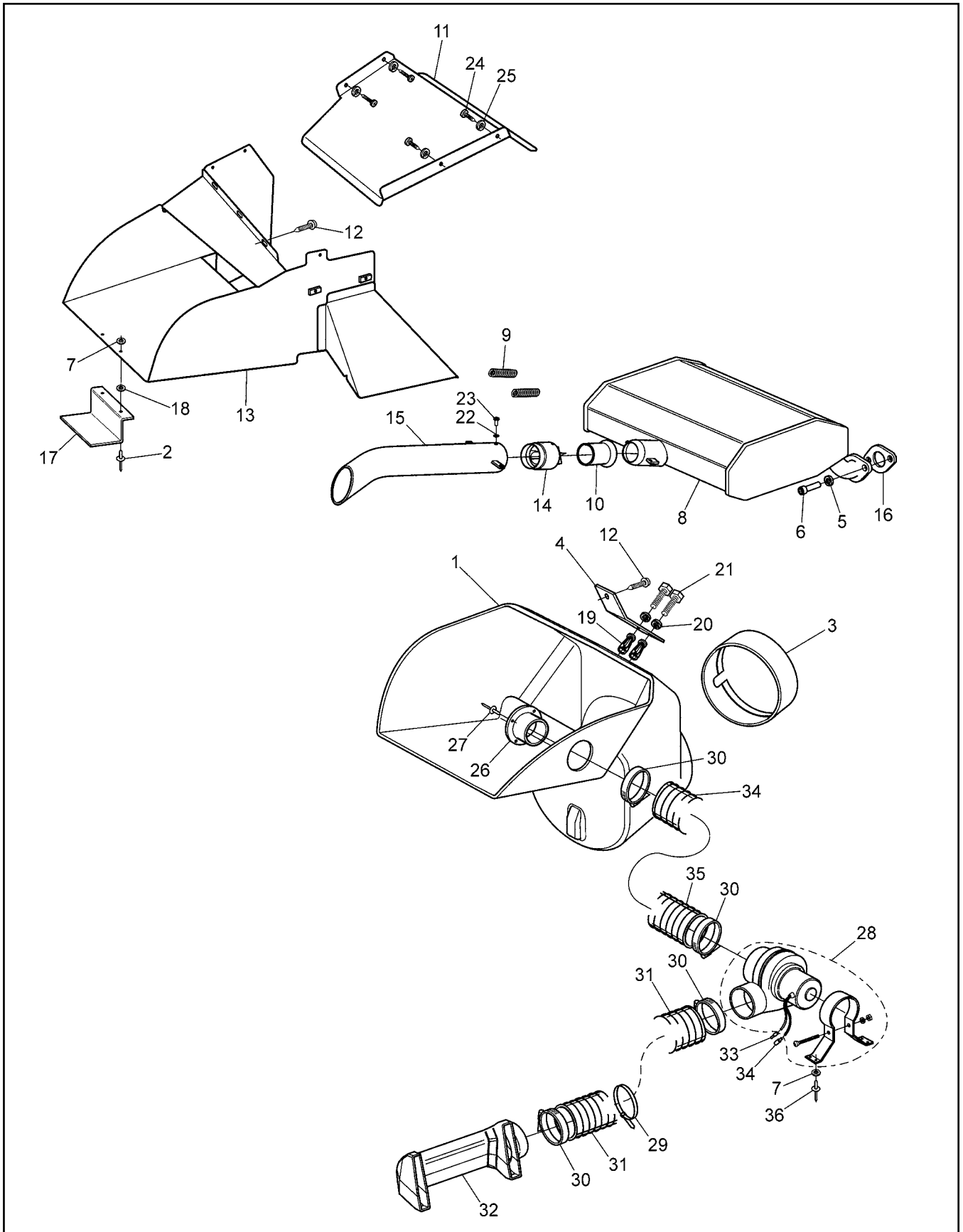


8x8 Frontier Parts Manual

1.0 Transmission

| Ref. | Qty. | Part # | Description | Ref. | Qty. | Part # | Description |
|------|------|------------|--------------------------------|------|------|------------|--|
| | 1 | 34-100 | Transmission Assembly | 40 | 1 | 34-109 | Gear, Helical - HI 12DP 33T |
| | 1 | 34-100-3.3 | Transmission Assembly | 41 | 1 | 34-110 | Gear, Helical - LOW 12DP 39T |
| 1 | 3 | 101-01 | Bearing, Ball 6204Z-C3 | 42 | 1 | 34-111 | Gear, Reverse - 10DP 33T |
| 2 | 2 | 101-03 | Bearing, Ball 6207-C3 | 43 | 1 | 34-112 | Shaft, Spline |
| 3 | 2 | 101-05 | Bearing, Ball 6306LLU-C3/2A | 44 | 1 | 34-113 | Shaft, Shift - Forward |
| 4 | 2 | 101-15 | Bearing, Ball 6005-C3 | 45 | 1 | 34-114 | Shaft, Shift - Reverse |
| 5 | 1 | 101-16 | Bearing, Ball 6206-C3 | 46 | 1 | 34-115 | Block, Shift |
| 6 | 2 | 102-03 | Seal,Oil WBS 30x72x10 NB D/LIP | 47 | 1 | 34-116 | Fork, Shift |
| 7 | 1 | 102-05 | Seal,Oil WBS 30x62x10 NB D/LIP | 48 | 1 | 34-117 | Lever, Shift |
| 8 | 1 | 103-02 | Plug, Magnetic 3/8-18NPT SQ.HD | 49 | 1 | 34-131 | Plate, Shifter |
| 9 | 2 | 104-03 | Pin, Dowel 1/4x7/8 | 50 | 1 | 34-121 | Knob, Shift - w/Argo Logo |
| 10 | 2 | 104-39 | Pin, Spring - 1/4 x 1.0 | 51 | 1 | 34-122 | Cage, Differential |
| 11 | 1 | 104-40 | Pin, Dowel - 1/4 x 1.75 | 52a | 1 | 34-123 | Pinion, Helical - 25T - 2.6 |
| 12 | 12 | 105-03 | Bushing, Oilite - 1/2x3/4 | 52b | 1 | 34-125 | Pinion, Helical - 21T - 3.3 |
| 13 | 3 | 105-23 | Bushing, Dowel - .312 x .5 | 53a | 1 | 34-124 | Gear Plate - 66T - 2.6 |
| 14 | 4 | 106-03 | Retaining Ring HO-281PA | 53b | 1 | 34-126 | Gear Plate - 70T - 3.3 |
| 15 | 1 | 106-05 | Retaining Ring HO-244-PA | 54 | 6 | 34-13 | Gear, Planet - 12T |
| 16 | 3 | 107-02 | Retaining Ring SH-0118-PA | 55 | 2 | 34-14 | Gear, Sun - 21T |
| 17 | 2 | 107-04 | Retaining Ring SH-0098-PA | 56 | 2 | 34-32 | Spring, Comp. 0.22x.50 |
| 18 | 1 | 107-14 | Retaining Ring LC-125-PA | 57 | 2 | 34-98 | Shaft, Output - Splined |
| 19 | 2 | 107-11 | Retaining Ring | 58 | 1 | 114-01 | Washer, Shim 2.25 x 2.81 x .02 |
| 20 | 1 | 107-15 | Retaining Ring SHR-098-PA | 59 | 1 | CE-035 | Dipstick - with Breather - 190mm |
| 21 | 15 | 108-05 | Lockwasher 5/16 Split Ring Zn | 60 | 1 | 609-38 | Boot, Shifter |
| 22 | 1 | 108-78 | Washer, Thrust | 61 | 3 | 112-64 | SHCS, 5/16-18 x 1.25 |
| 23 | 1 | 108-79 | Washer, Thrust | 62 | 1 | 108-88 | Washer, Retaining Thrust |
| 24 | 5 | 109-05 | Ball, Steel 6mm 62-67 Rc | 63 | 1 | 113-16 | O-Ring #AS568-014-70BN 5/8"OD x 1/2"ID x 1/16" Thk |
| 25 | 4 | 112-04 | HHCS 1/4-20x3/4 Gr2 Zn | 64 | 1 | 34-132 | Follower, Neutral Start |
| 26 | 14 | 112-143 | SHCS 5/16 x 1.25 Zn | 65 | 1 | 108-08 | Washer, .28 x .62 x .07 Zn |
| 27 | 1 | 112-144 | SHCS 5/16 x 1.0 Zn | 66 | 1 | 809-202 | Switch, Limit - Two Pole |
| 28 | 1 | 112-145 | SHSS 5/16 - 18 X 3/8 | 67 | 2 | 112-172/PI | SHMS, #5-40x3/4 Zn |
| 29 | 1 | 113-11 | O-Ring #AS568-216-70BN | 68 | 2 | 112-173/PI | Locknut, #5-40 Zn |
| 30 | 1 | 114-04 | Washer, Shim 1.19x1.50x.04 | 69 | 1 | 108-85 | Washer, Retaining Thrust |
| 31 | 1 | 114-05 | Washer, Shim 1.19x1.50x.02 | 70 | 1 | 112-171 | FHSC 1/4-20 x 3/4 Gr2 Zn |
| 32 | 1 | 34-101 | Housing, Transmission - L | 71 | 1 | 613-112 | Wire Harness, Neutral Start |
| 33 | 1 | 34-102 | Housing, Transmission - R | 72 | 1 | 161-28 | O-Ring, 3mm CS x 12mm ID |
| 34 | 1 | 34-127 | Clutch, Dog | | | | |
| 35 | 1 | 34-130 | Shaft, Input - 19/15T Spline | | | | |
| 36 | 1 | 34-128 | Pinion, Helical - HI 12DP 26T | | | | |
| 37 | 1 | 34-129 | Pinion, Helical - LO 12DP 20T | | | | |
| 38 | 1 | 34-107 | Pinion, Reverse - 10DP 16T | | | | |
| 39 | 1 | 34-108 | Gear, Idler - Rev - 10DP 16T | | | | |

2.0 Intake and Exhaust System 8x8 Frontier Parts Manual

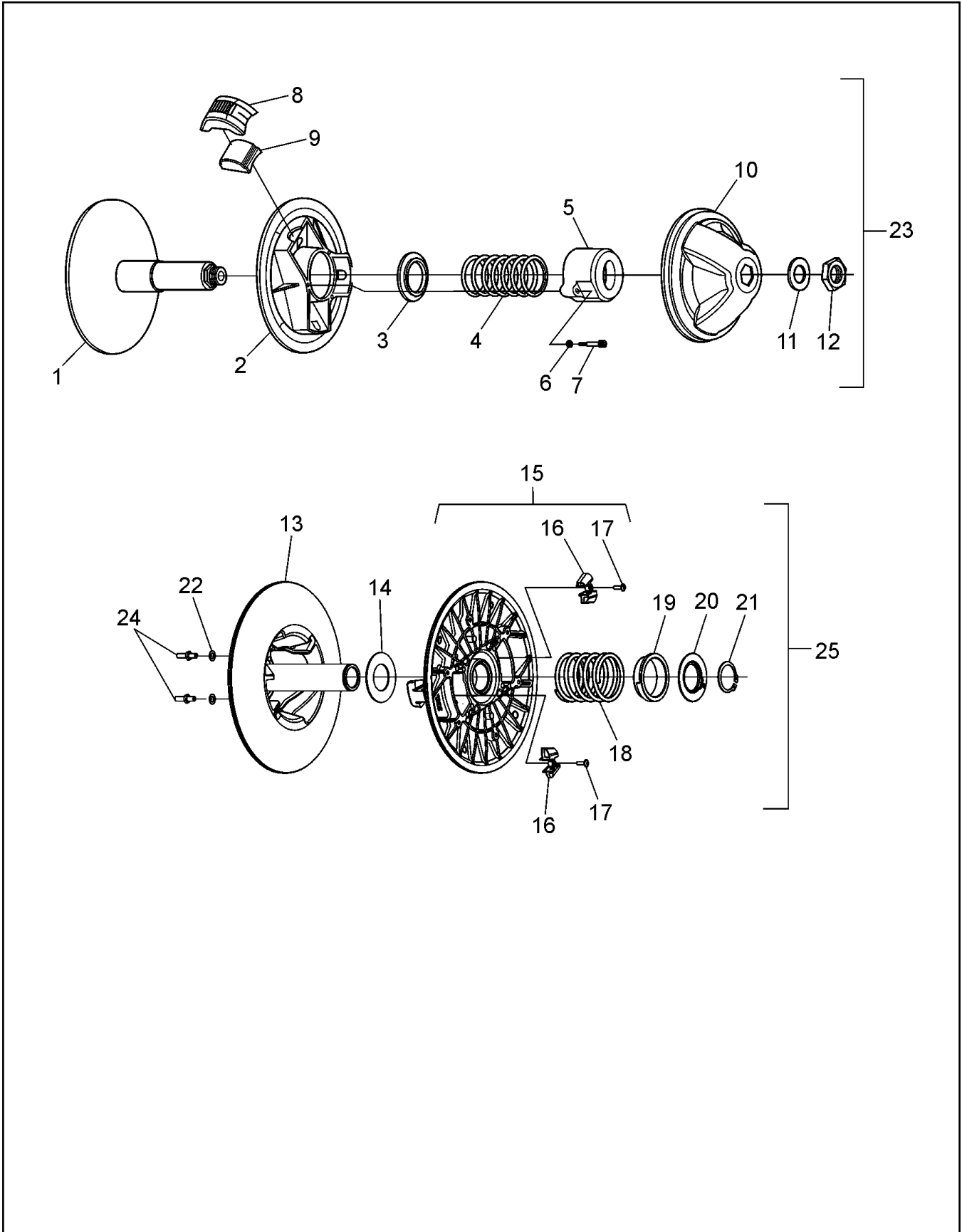


8x8 Frontier Parts Manual 2.0 Intake and Exhaust System

| Ref. | Qty. | Part # | Description |
|------|------|---------|--------------------------------------|
| 1 | 1 | 809-07 | Duct, Intake - Frontier |
| 2 | 2 | 120-31 | Rivet, 3/16 x 1/4". Open End |
| 3 | 1 | 603-82 | Seal, Argo Air Intake Duct - 580/650 |
| 4 | 1 | 809-08 | Bracket, Intake Duct |
| 5 | 4 | 108-02 | Lockwasher 5/16 Hi-Collar Bare |
| 6 | 4 | 112-30 | SHCS M8 x 1,25 x 20mm Zn |
| 7 | 4 | 120-04 | Washer, .19 x .50 x .08 Zn |
| 8 | 1 | 607-145 | Muffler Asm, Briggs 650 |
| 9 | 2 | 127-187 | Spring, Extension - 17/32 x 3.75 |
| 10 | 1 | 607-135 | Tube, Muffler, Flared x 2.0 |
| 11 | 1 | 607-169 | Shield, Muffler Heat Frt |
| 12 | 4 | 112-19 | Screw, IHWH T/C Slot 1/4-20 x 1/2 |
| 13 | 1 | 607-164 | Duct, Exhaust - Frontier |
| 14 | 1 | 607-126 | Spark Arrester, 1.75 Dia. |
| 15 | 1 | 607-166 | Pipe, Tail Asy 8.00 |
| 16 | 2 | 806425 | Gasket, Exhaust Manifold - B&S 23 HP |
| 17 | 1 | 707-45 | Support, Exhaust Duct |
| 18 | 2 | 125-58 | Washer, Fibre - W-77F |
| 19 | 2 | 117-53 | Nut, Jack 1/4-20 8L-JNS Zn |
| 20 | 2 | 108-03 | Lockwasher 1/4 Split Ring Zn |
| 21 | 2 | 103-97 | HHCS 1/4-20 x 1.25 Gr5 Zn |
| 22 | 1 | 108-77 | Lockwasher, #8 External Tooth |
| 23 | 1 | 112-43 | Screw IHWH #8 x 3/8 |
| 24 | 4 | 103-31 | PHMS 1/4-20 x 5/8 Grade 5 Zn |
| 25 | 4 | 108-03 | Lockwasher 1/4 Split Ring Zn |
| 26 | 1 | 127-171 | Adapter, 3" Hose |
| 27 | 4 | 120-11 | Rivet, 5/32 x 9/16 Black |
| 28 | 1 | 127-184 | Blower Fan |
| 29 | 1 | 100-102 | Tie Wrap, 14" - White |
| 30 | 4 | 125-35 | Clamp, Gear 3.50" HF-52 |
| 31 | 1 | 127-139 | Hose, Brake Fan Discharge |
| 32 | 1 | 127-134 | Duct, Brake Cooling |
| 33 | 1 | 118-02 | Terminal, Male #76-1251 |
| 34 | 1 | 118-03 | Terminal, Female #76-1289 |
| 35 | 1 | 127-140 | Hose, Brake Fan Inlet |
| 36 | 4 | 120-09 | Rivet, 3/16 x 1.0 Black |

3.0 Clutch System

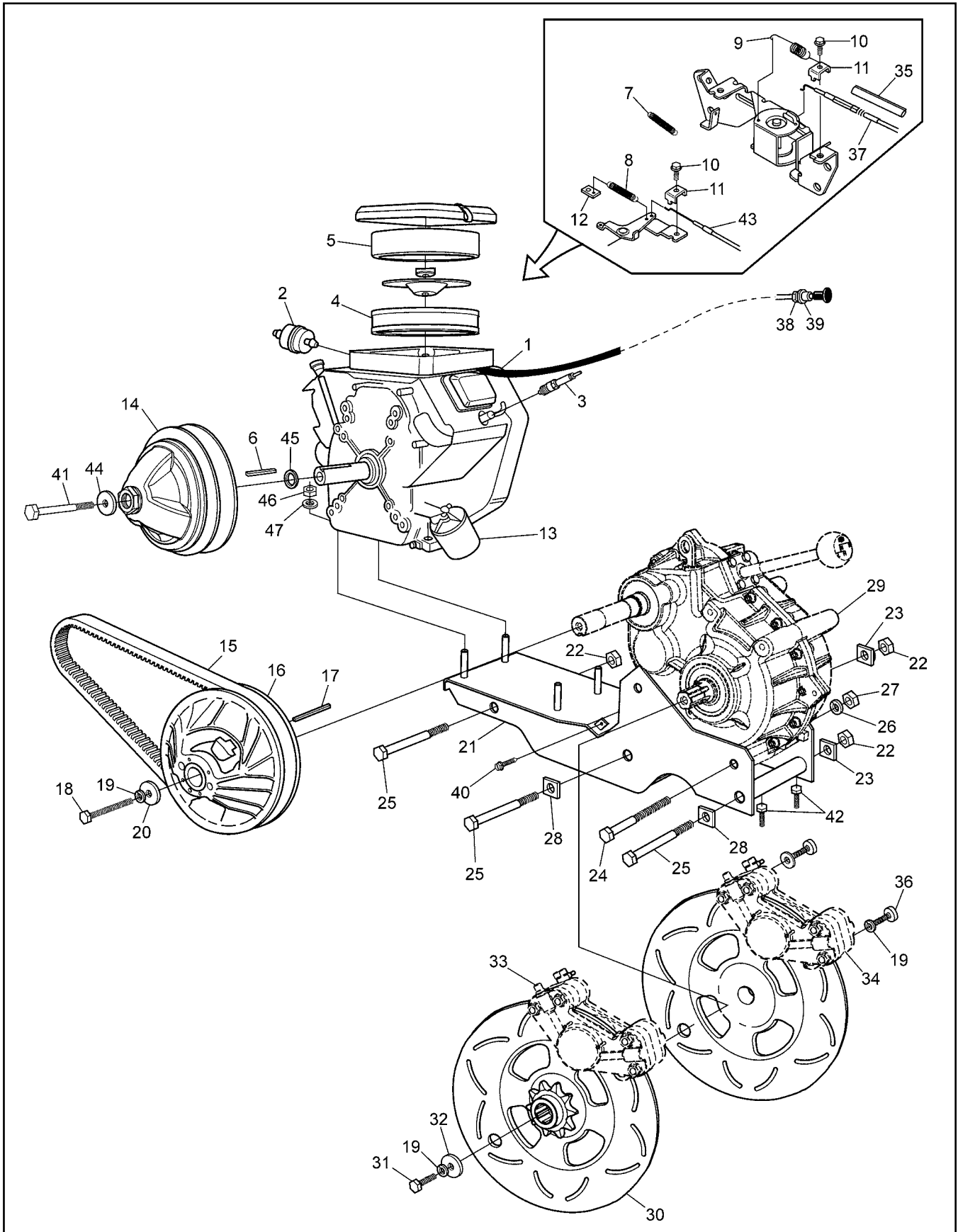
8x8 Frontier Parts Manual



| Ref. | Qty. | Part # | Description |
|------|------|-----------|---------------------------------------|
| 1 | 1 | 0405-0075 | Flange, Fixed |
| 2 | 1 | 0410-0026 | Flange, Sliding |
| 3 | 1 | 0150-1014 | Spring Guide Washer |
| 4 | 1 | 0451-1114 | Spring |
| 5 | 1 | 0440-0005 | Spring Cover |
| 6 | 3 | 0080-0167 | Lockwasher |
| 7 | 3 | 0080-0021 | Screw, Cap |
| 8 | 3 | 0130-3012 | Block |
| 9 | 3 | 0135-3065 | Weight (275gr) |
| | 1 | 127-208 | Weight Set (3), 185g - High Elevation |
| | 1 | 127-209 | Weight Set (3), 220g - High Elevation |
| | 1 | 127-210 | Weight Set (3), 240g - High Elevation |
| 10 | 1 | 0115-0047 | Cap |
| 11 | 1 | 0080-0153 | Washer, Zn |
| 12 | 1 | 0080-0100 | Nut |
| 13 | 1 | 5905-0003 | Flange, Fixed |
| 14 | 1 | 0080-0164 | Washer, Shim |
| 15 | 1 | 5910-0002 | Flange, Sliding |
| 16 | 3 | 5930-3001 | Cam Shoe |
| 17 | 2 | 0080-0031 | Screw |
| 18 | 1 | 5951-1009 | Spring |
| 19 | 1 | 5950-3003 | Spring Protector |
| 20 | 1 | 5950-3002 | Spring Support |
| 21 | 1 | 0080-0216 | Retaining Ring, Outside |
| 22 | 2 | 0080-0167 | Lockwasher |
| 23 | 1 | 127-135 | Clutch, Driver |
| 24 | 2 | 0080-0035 | Screw & Nut Ass'y |
| 25 | 1 | 127-156 | Clutch, Driven - INVANCE |

4.0 Power Pack Assembly

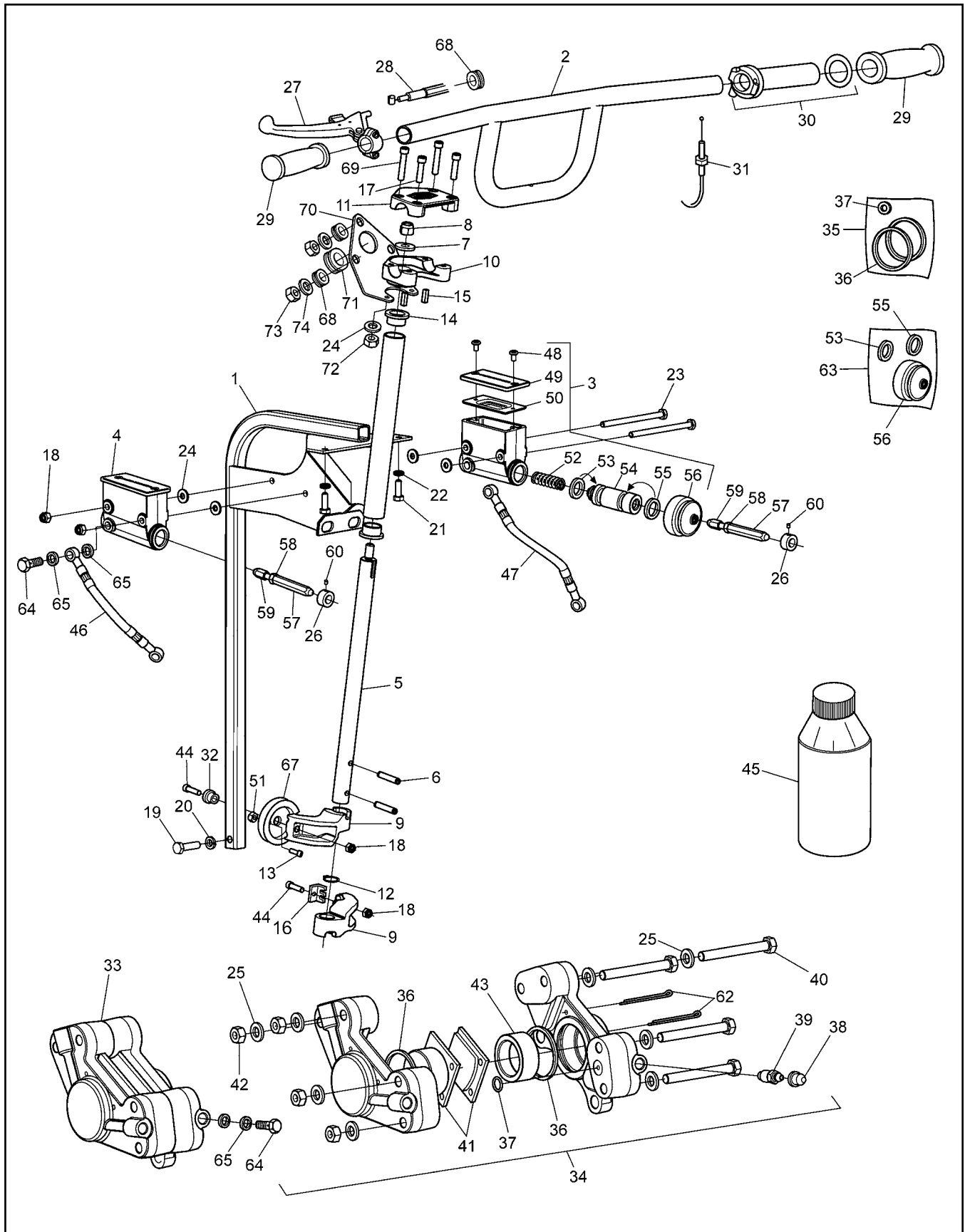
8x8 Frontier Parts Manual



8x8 Frontier Parts Manual

4.0 Power Pack Assembly

| Ref. | Qty. | Part # | Description | Ref. | Qty. | Part # | Description |
|------|------|---------|--|------|------|---------|--|
| 1 | 1 | 128-20 | Engine - B&S 23HP, 20/50 amp incl. Ref. 2-13 B&S #386447-0144-E1 | 34 | | | See Section 5.0 Steering & Brake System |
| 2 | 1 | 125-64 | Fuel Filter, G81-4 | 35 | 1 | 607-172 | Sleeve, Thermo Protect 1/2" ID |
| 3 | 2 | 127-193 | Sparkplug RC14YC | 36 | 4 | 103-41 | SHCS 3/8-16 x 1.25 Zn |
| 4 | 1 | 692519 | Filter, Air | 37 | 1 | 612-101 | Cable Asm, Throttle |
| 5 | 1 | 692520 | Element, Foam | 38 | 2 | 117-68 | Nut, Jam 3/8-24 UNF Zn |
| 6 | 1 | 110-18 | Key 1/4 x 1/4 x 1.75 RC45 | 39 | 1 | 108-32 | Lockwasher 3/8 Int.Tooth |
| 7 | 1 | 805458 | Spring | 40 | 2 | 103-71 | Screw, IHWH T/C 1/4-20 x 1.25 |
| 8 | 1 | 125-88 | Spring, Return | 41 | 1 | 112-160 | HHCS, 7/16-20 x 5" Lg |
| 9 | 1 | 127-49 | Spring, Return | 42 | 2 | 103-53 | HHCS 3/8-16 x 3.0 Full Thread |
| 10 | 2 | 805169 | Screw-Hex Head (Briggs #) | 43 | 1 | 612-130 | Cable Asm, Choke |
| 11 | 2 | 221535 | Clamp - Casing (Briggs #) | 44 | 1 | 108-58 | Washer .47 x 1.37 x .12 Hi-Carbon |
| 12 | 1 | 601-86 | Clip, Retainer | 45 | 1 | 108-84 | Washer, Engine, Clutch |
| 13 | 1 | 126-95 | Filter, Oil | 46 | 4 | 117-21 | Locknut, Nylon 5/16-18 Zn |
| 14 | | | See Section 3.0 Clutch System | 47 | 4 | 108-24 | Washer .34 x 1.00 x .06 Zn |
| 15 | 1 | 127-159 | Drive Belt - Frontier - 11.3" Cen. Dist | | | | |
| 16 | | | See Section 3.0 Clutch System | | | | |
| 17 | 1 | 110-03 | Key 1/4 x 3/16 x 2.375 RC46 | | | | |
| 18 | 1 | 112-164 | HHCS 3/8-16 x 3.50 Gr5 Zn | | | | |
| 19 | 7 | 108-06 | Lockwasher 3/8 Split Ring Zn | | | | |
| 20 | 1 | 108-46 | Washer .40 x 1.37 x 1.2 Hi- Carbon | | | | |
| 21 | 1 | 604-118 | Frame Ass'y - Power Pack | | | | |
| 22 | 3 | 117-83 | Locknut, Stover 5/8-11 Zn | | | | |
| 23 | 2 | 811-09 | Washer, Square - .64 ID | | | | |
| 24 | 2 | 103-20 | HHCS 1/2-13 x 6.5 Gr5 Zn | | | | |
| 25 | 3 | 112-58 | HHCS 5/8-11 x 7.5 Gr5 Zn | | | | |
| 26 | 2 | 108-07 | Lockwasher 1/2 Split Ring Zn | | | | |
| 27 | 2 | 117-06 | Nut, Fin Hex 1/2-13 Zn | | | | |
| 28 | 2 | 811-15 | Washer, Square Lock .64 ID | | | | |
| 29 | | | See Section 1.0 Transmission | | | | |
| 30 | 2 | 606-74 | Disc, Brake-Splined #60-10T | | | | |
| 31 | 2 | 103-18 | HHCS 3/8-24 x 1.25 Gr5 Zn | | | | |
| 32 | 2 | 108-18 | Washer .40 x 1.37 x .12 Zn | | | | |
| 33 | | | See Section 5.0 Steering & Brake System | | | | |



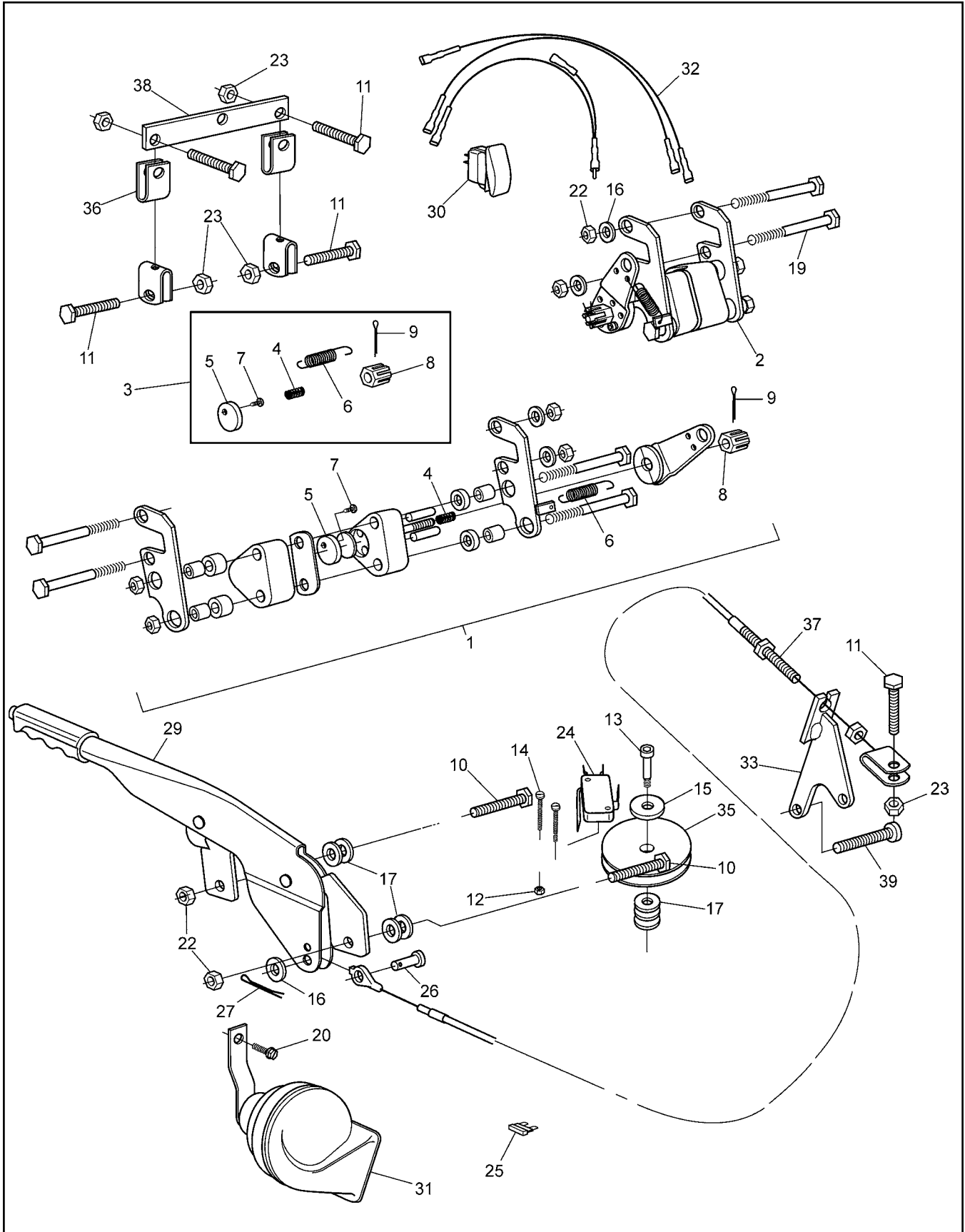
8x8 Frontier Parts Manual

5.0 Steering & Brake System

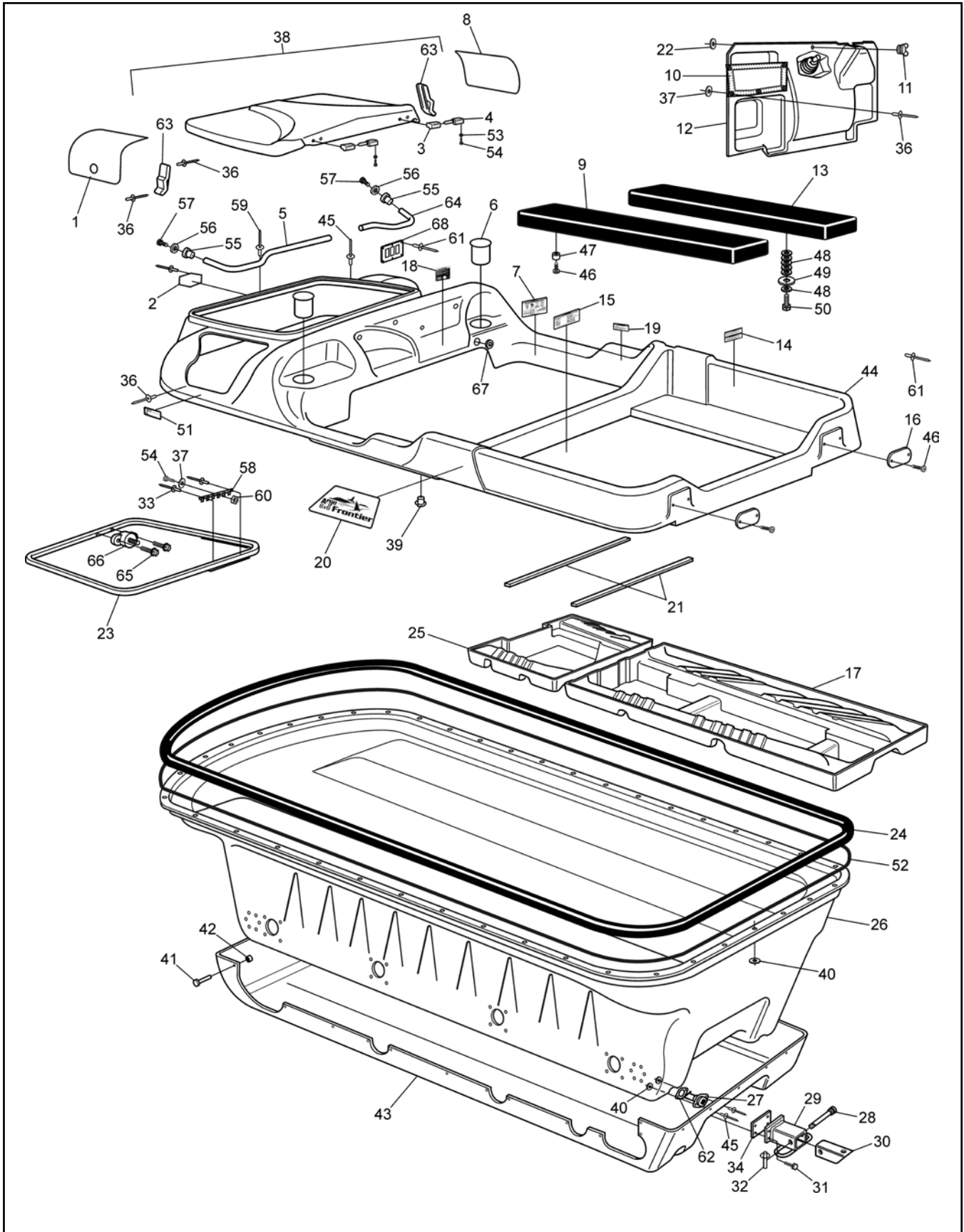
| Ref. | Qty. | Part # | Description | Ref. | Qty. | Part # | Description |
|------|------|---------|---------------------------------------|------|------|---------|---|
| 1 | 1 | 612-123 | Frame Assembly, Steering Column | 44 | 2 | 112-159 | BHCS, 1/4-20 x 1.0, Plated |
| 2 | 1 | 612-107 | Handlebar Assembly | 45 | | 126-19 | Fluid, Brake-Silicon Dot 5 - .35L |
| 3 | 1 | 165-08 | Master Cylinder, Grimeca - R | 46 | 1 | 163-05 | Hose Asm, Hydraulic - Left |
| 4 | 1 | 165-07 | Master Cylinder, Grimeca - L | 47 | 1 | 163-06 | Hose Asm, Hydraulic - Right - SS |
| 5 | 1 | 612-128 | Shaft, Steering - Avenger | 48 | 2x2 | 160-42 | Screw, FHMS M5 x 0,8 x 6mm |
| 6 | 2 | 104-42 | Pin, Spring 1/4 x 1.5" | 49 | 2x1 | 168-08 | Cover |
| 7 | 1 | 108-47 | Washer, .39 x .94 x .13 Zn Di-chr | 50 | 2x1 | 168-09 | Cover, Rubber |
| 8 | 1 | 117-29 | Locknut, Nylon 3/8-16 Zn | 51 | 1 | 117-10 | Locknut, 10-24 N/I Zn |
| 9 | 2 | 612-124 | Arm, Steering | 52 | 2x1 | 162-08 | Spring, Comp. 17.3 x 49.3mm |
| 10 | 1 | 612-106 | Clamp, Lower Handlebar | 53 | 2x1 | | Seal, Primary, 19mm (See Ref. 63) |
| 11 | 1 | 612-105 | Clamp, Upper Handlebar | 54 | 2x1 | 168-10 | Piston 19mm dia. |
| 12 | 1 | 106-07 | Ring, Retaining SH-0075PA | 55 | 2x1 | | Seal, Secondary, 19mm (See Ref. 63) |
| 13 | 1 | 160-46 | SHCS, #10-24 x 3/8" | 56 | 2x1 | | Boot, Rubber (See Ref. 63) |
| 14 | 2 | 105-16 | Bushing, Oilite - 3/4 x 1/2 | 57 | 2 | 812-30 | Pin, Female |
| 15 | 2 | 110-17 | Key, 3/16 x 3/16 x .625 | 58 | 2 | 117-03 | Nut, Fin Hex 1/4-20 Zn |
| 16 | 1 | 128-24 | Retainer, Handbrake Cable | 59 | 2 | 812-31 | Fin, Male |
| 17 | 2 | 112-47 | SHCS, 1/4-20 x 1.0 Zn | 60 | 2 | 112-02 | SHSS 10-24x1/4 Knurl Cup PT, PL |
| 18 | 4 | 117-27 | Locknut, Nylon 1/4-20 Zn | 62 | 2x2 | 168-07 | Pin, Cotter 1/8 x 3.00 Zn |
| 19 | 1 | 103-38 | HHCS 5/16-18x1.25 Gr5 Zn | 63 | 2x1 | 161-25 | O-Ring Kit - Master Cylinder - Grimeca (incl. Ref. 53, 55 & 56) |
| 20 | 1 | 108-05 | Lockwasher, 5/16 Split-Ring Zn | 64 | 4 | 160-44 | Bolt, Banjo - M10 x 1,0 x 21,0 |
| 21 | 2 | 112-04 | HHCS 1/4-20 x 3/4 Gr2 Zn | 65 | 13 | 160-01 | Washer, Copper - 1,5 x 10,0 x 14,0 |
| 22 | 2 | 108-03 | Lockwasher 1/4 Split Ring Zn | 67 | 1 | 165-18 | Pulley, Handbrake Cable |
| 23 | 2 | 103-66 | HHCS, 1/4-20 x 4.0 Gr5 Zn | 68 | 4 | 125-84 | Grommet, Rubber |
| 24 | 4 | 108-08 | Washer, .28 x .62 x .04 Zn | 69 | 2 | 103-69 | SHCS 1/4-20 x 1.5 Zn |
| 25 | 2x8 | 108-24 | Washer, .34 x .70 x .06 Zn | 70 | 1 | 612-132 | Bracket, LCD Gauge - Painted |
| 26 | 2 | 812-17 | Collar | 71 | 1 | 128-27 | Grommet 1-1/4ID x 1-1/2x3/32 |
| 27 | 1 | 128-17 | Lever Assembly, Handbrake, Spring | 72 | 2 | 117-86 | Nut, Acorn, 1/4-20 Zn |
| 28 | 1 | 128-21 | Cable Assembly, Handbrake | 73 | 3 | 117-85 | Nut, Acorn, M5 Zn |
| 29 | 2 | 127-35 | Grip, Molded | 74 | 3 | 120-04 | Washer .19 x .50 x.08 Zn |
| 30 | 1 | 127-81 | Throttle Twist Grip | | | | |
| 31 | 1 | 612-101 | Cable Asm., Throttle | | | | |
| 32 | 1 | 105-25 | Bushing, Flange Oilite FF-310 | | | | |
| 33 | 1 | 166-10 | Caliper, Hydraulic Brake - L w/o pads | | | | |
| 34 | 1 | 166-11 | Caliper, Hydraulic Brake - R w/o pads | | | | |
| 35 | 2 | 161-05 | O-ring Kit, Knott Caliper | | | | |
| 36 | 2 | | Seal, Piston | | | | |
| 37 | 2 | | Seal, Rubber | | | | |
| 38 | 2x1 | 168-20 | Plug, Rubber | | | | |
| 39 | 2x1 | 168-02 | Screw, Bleeding, Knott Caliper | | | | |
| 40 | 2x4 | 112-154 | SHCS, 5/16-18 x 2.75 Zn | | | | |
| 41 | 1 | 170-03 | Pad Set (4), Brake - Non-Asbestos | | | | |
| 42 | 2x4 | 117-03 | Nut, Fin Hex 5/16-18 Zn | | | | |
| 43 | 2x2 | 168-01 | Piston, Knott Caliper | | | | |

6.0 Parking Brake

8x8 Frontier Parts Manual



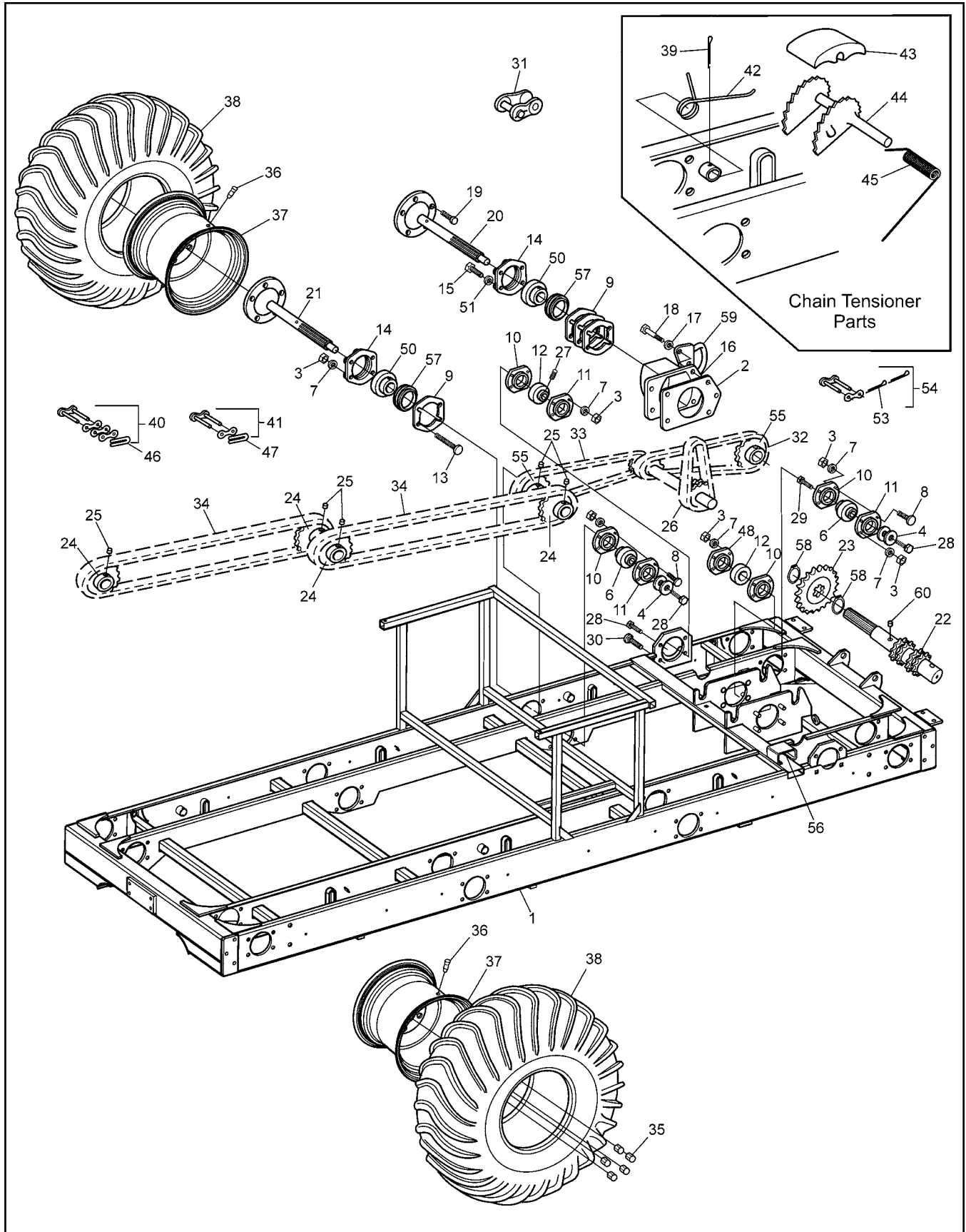
| Ref. | Qty. | Part # | Description |
|------|------|------------|--|
| 1 | 1 | 850-96 | Caliper Ass'y, LH, Parking Brake |
| 2 | 1 | 850-97 | Caliper Ass'y, RH, Parking Brake |
| 3 | 1 | 850-98 | Kit, Service, Parking Brake (includes Ref. 4 - 9, not sold separately) |
| 4 | 1 | | Cam Tension Spring (compression) |
| 5 | 1 | | Left & Right Brake Pads |
| 6 | 1 | | Cam Arm Spring (tension) |
| 7 | 1 | | Brake Pad Retaining Screw |
| 8 | 1 | | Castle Nut |
| 9 | 1 | | Cotter Pin |
| 10 | 2 | 103-06 | HHCS 5/16-18x1.0 Gr5 Zn |
| 11 | 5 | 103-08 | HHCS 1/4-20x1.0 Zn |
| 12 | 2 | 112-173 | Locknut, #5-40, Zn |
| 13 | 1 | 112-178 | Bolt, Shoulder, 1/2 x 5/8 |
| 14 | 2 | 112-172 | SHCS 5-40 x 3/4 Zn |
| 15 | 1 | 108-35 | Washer .53 x 1.06 x .09 Zn |
| 16 | 5 | 108-24 | Washer .34x.70x.06 Zn |
| 17 | 7 | 108-47 | Washer .39x.94x.13 Zn Di-Chro |
| 18 | 1 | 117-10 | Locknut, 10-24 N/I Zn |
| 19 | 4 | 112-132 | HHCS 5/16-18 x 3.25 Gr5 Zn |
| 20 | 1 | 112-19 | Screw,IHWH T/C Slot 1/4-20x1/2* |
| 22 | 6 | 117-21 | Locknut, Nylon 5/16-18 Zn |
| 23 | 5 | 117-27 | Locknut, Nylon 1/4-20 Zn |
| 24 | 1 | 613-120 | Switch, Micro, Lever |
| 25 | 1 | 118-52 | Fuse, 10A 2-Prong (AT010)* |
| 26 | 1 | 104-27 | Pin, Clevis 5/16x.75" Zn |
| 27 | 1 | 100-100 | Pin, Cotter 1/8x3/4 Zn |
| 29 | 1 | 809-147 | Lever, Parking Brake |
| 30 | 1 | 848-175 | Switch, Horn Momentary* |
| 31 | 1 | 848-87 | Horn, Electric* |
| 32 | 1 | 848-176 | Harness, Horn Momentary* |
| 33 | 1 | 850-72 | Bracket Asm, Parking/Brake |
| 35 | 1 | 850-79 | Pulley, Parking Brake Cable |
| 36 | 2 | 850-80 | Cable, Parking Brake Equalizer |
| 37 | 1 | 850-81 | Cable, Parking Brake |
| 38 | 1 | 850-82 | Flat Bar, Equalizer |
| 39 | 1 | 112-143/PI | SHCS 5/16x1.25 Zn |
| | | | *If equipped |



8x8 Frontier Parts Manual

7.0 Vehicle Body & Firewall

| Ref. | Qty. | Part # | Description | Ref. | Qty. | Part # | Description |
|------|------|---------|---|------|------|---------|---|
| 1 | 1 | 707-43 | Screen - Exhaust | 41 | 32 | 120-27 | Pin, Magna Grip |
| 2 | 1 | 601-44 | Nameplate, "Argo" | 42 | 32 | 120-28 | Collar, Magna Grip |
| 3 | 2 | 127-45B | Knuckle, Hinge | 43 | 1 | 801-51 | Skid Plate - Black (Opt.) |
| 4 | 2 | 127-45A | Pin, Hinge | 44 | 1 | 801-53 | Body & Hood, Upper - Frontier (spec. colour) (incl. 23, 33, 38) |
| 5 | 1 | 601-103 | Tube, Dash Handle, Pass. Side | 45 | 109 | 120-09 | Rivet 3/16 x 1 - Black |
| 6 | 2 | 100-109 | Cup Holder Insert | 46 | 8 | 103-48 | T/S Pan HD PHIL #10 x 5/8 |
| 7 | 1 | 126-68 | Plate, Operation | 47 | 4 | 126-79 | Bumper, Plastic - Black |
| 8 | 1 | 707-42 | Screen, Intake | 48 | 20 | 108-25 | Washer .31 x .75 x .06 Zn |
| 9 | 1 | 801-03 | Seat, Rear - Left - 8x8 - Black | 49 | 4 | 603-15 | Washer, Plastic 5/16 Hole |
| 10 | 1 | 100-108 | Mesh, Glove Box | 50 | 2 | 103-08 | HHCS 1/4-20 x 1.0 Zn |
| 11 | 1 | 126-10 | Wing Stud | 51 | 1 | 127-144 | Label, Warning - HOT |
| 12 | 1 | 803-60 | Firewall | 52 | 1 | 126-60 | Vinyl Strip, 1/2" x 1/4" x 37.5' |
| 13 | 1 | 801-02 | Seat, Rear - Right - 8x8 - Black | 53 | 8 | 108-59 | Lockwasher #10 Int. Tooth Zn |
| 14 | 1 | 126-67 | Plate, Floor Pan | 54 | 9 | 103-47 | HHCS 10-24 x 1/2 |
| 15 | 1 | 127-173 | Plate, Vehicle Capacity | 55 | 2 | 113-12 | Insert, 1/2-13 |
| 16 | 2 | 127-01 | Reflector, Red | 56 | 2 | 108-35 | Washer .53 x 1.06 x .09 Zn |
| 17 | 1 | 803-58 | Floor Pan, Rear | 57 | 2 | 112-151 | HHCS 1/2-13 x 1" Gr2 Zn |
| 18 | 1 | 127-141 | Label, Caution - Keyswitch | 58 | 1 | 613-37 | Terminal Strip, Ground |
| 19 | 1 | 126-69 | Plate, Fuel | 59 | 17 | 120-13 | Rivet, 3/16 x 3/4 Black |
| 20 | 2 | 127-164 | Nameplate - 8x8 Frontier 650 | 60 | 1 | 117-10 | Locknut, 10-24 N/I Zn |
| 21 | 2 | 601-106 | Trim, Vinyl - 30" Black | 61 | 38 | 120-24 | Rivet, 3/32 x 3/8 Alum. (all plates) |
| 22 | 1 | 126-09 | Grommet, Alum. Flattened Half | 62 | 2 | 100-114 | Gasket, Drain Plug |
| 23 | 1 | 602-53 | Frame Ass'y, Hood - Front | 63 | 3 | 602-56 | Latch, Hood - Soft Draw |
| 24 | 1 | 801-05 | Bumper, Vinyl - 8x8 | 64 | 1 | 601-104 | Tube, Dash Handle, Driver Side |
| 25 | 1 | 803-59 | Floor Pan, Front | 65 | 2 | 112-51 | Screw, IHWH T/C #10-24x5/8 |
| 26 | 1 | 801-50 | Body, Lower | 66 | 1 | 613-123 | Post, Power, 5/16-18, Red |
| 27 | 2 | 100-107 | Plug, Drain - Flanged | 67 | 1 | 128-26 | Grommet, 1-1/2ID x 1-3/4x1/4 |
| 28 | 1 | 104-13 | Pin, Toplink - 3/4 x 2.75 | 68 | 1 | 127-150 | Plate, Switch Mounting -3 Hole |
| 29 | 1 | 616-16 | Hitch Assembly | | | | |
| 30 | 1 | 616-19 | Tube, Hitch | | | | |
| 31 | 4 | 103-61 | HHCS 3/8-24 x 1.5 Gr5 Zn | | | | |
| 32 | 1 | 104-11 | Pin, Lynch - Ring | | | | |
| 33 | 2 | 120-15 | Rivet - 1/8 x 7/16 | | | | |
| 34 | 1 | 616-20 | Gasket, Rear Hitch | | | | |
| 35 | 4 | 108-15 | Washer .42 x .81 x .05 Zn | | | | |
| 36 | 25 | 120-11 | Rivet 5/32 x 9/16 - Black | | | | |
| 37 | 6 | 120-05 | Washer, .19 x .50 x .04 Zn | | | | |
| 38 | 1 | 602-57 | Hood Kit - Frontier (spec. colour) (incl. 3, 4, 36, 53, 54, 63) | | | | |
| 39 | 2 | 117-44 | T- Nut 1/4-20 Zn | | | | |
| 40 | 86 | 120-04 | Washer .19 x .50 x .08 Zn | | | | |

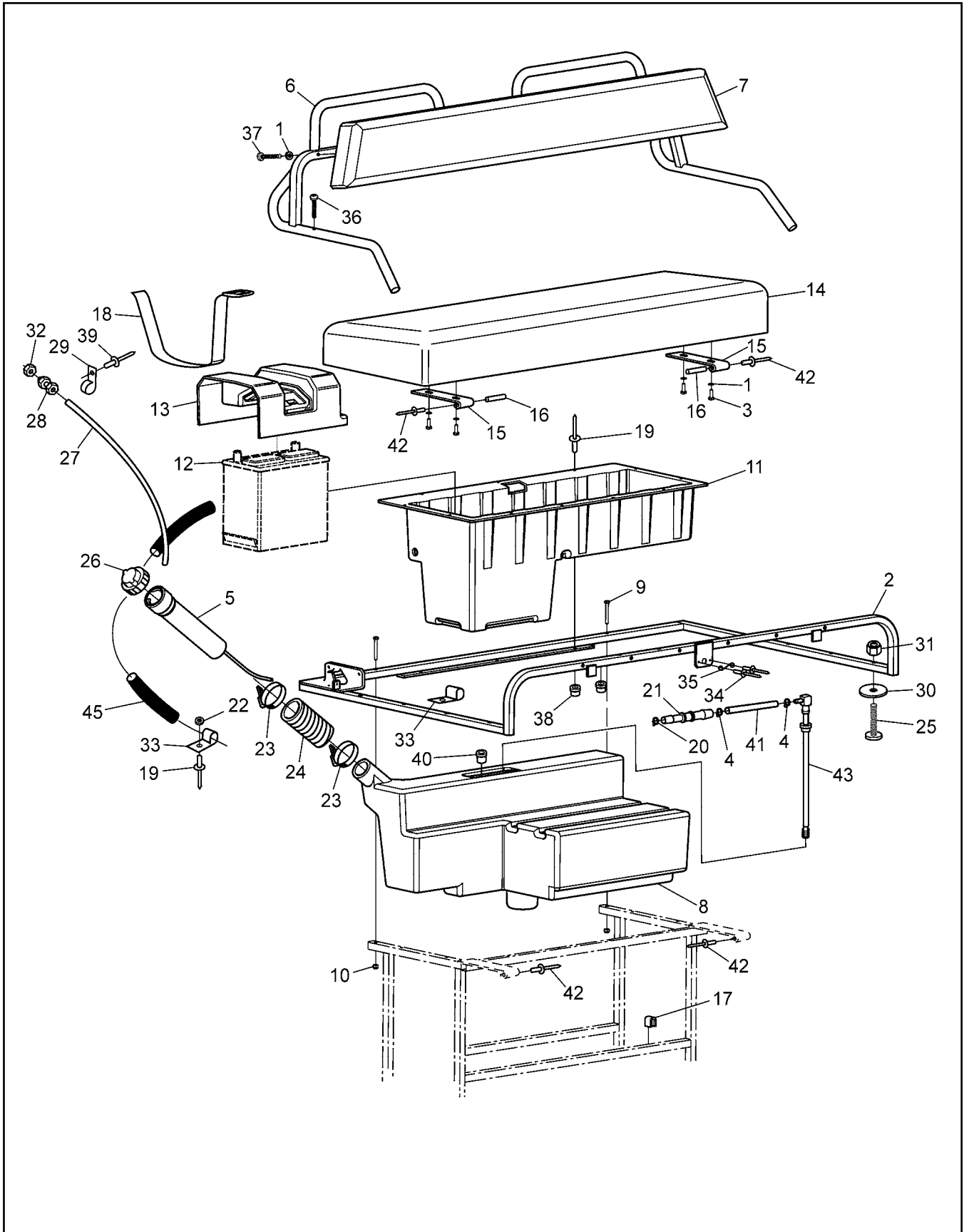


8x8 Frontier Parts Manual

8.0 Frame and Drive System

| Ref. | Qty. | Part # | Description | Ref. | Qty. | Part # | Description |
|------|------|----------|---|------|------|---------|---------------------------------|
| 1 | 1 | 804-100 | Frame Asm - Avenger | 40 | 1x4 | 100-96 | Con. Link, RC50-2 H.D. |
| 2 | 4 | 606-25 | Gasket - Bearing Extension | 41 | 1x4 | 603-84 | Con. Link, RC60-1 H.D. |
| 3 | 80 | 117-29 | Locknut, Nylon 3/8-16 Zn | 42 | 6 | 127-65 | Spring Torsion - 1.16x0.35 |
| 4 | 16 | 108-46 | Washer .40 x 1.37 x .12 Hi-Carbon | 43 | 6 | 606-44 | Slider Block |
| 6 | 8 | 101-41 | Bearing, Ball - 1.0 | 44 | 6 | 606-82 | Tensioner Asm, Chain |
| 7 | 80 | 108-15 | Washer, .42 x .81 x .05 Zn | 45 | 6 | 127-64 | Spring, Torsion - .76 x 1.9 |
| 8 | 35 | 103-88 | C/Bolt 3/8-16 x 1.0 Gr5 Zn | 46 | 4 | 603-95 | Spring Clip - RC 50 Closed |
| 9 | 16 | 606-90 | Gasket, Flange - 72mm | 47 | 4 | 603-96 | Spring Clip - RC 60 Closed |
| 10 | 12 | 606-91 | Flange - 4 Hole Hd | 48 | 2 | 606-93 | Flange, Greaseable - 90 Deg. Hd |
| 11 | 10 | 606-92 | Flange, Greasable - 4 Hole Hd | 50 | 8 | 101-95 | Bearing, Ball - 1.25 x 72mm |
| 12 | 4 | 101-96 | Bearing, Ball - 1.25x1.5 No Grv | 51 | 16 | 108-06 | Lockwasher 3/8 Split Ring Zn |
| 13 | 16 | 112-187 | C-Bolt 3/8-16x2.0 Gr5 Zn | 53 | 4 | 104-35 | Pin, Cotter 2mm x 12mm |
| 14 | 8 | 606-88 | Flange Ass'y, Outer Bearing | 54 | 2 | 127-188 | Link, Con. #60 Lambda |
| 15 | 16 | 103-68 | HHCS 3/8-16 x 2.0 Gr5 Zn | 55 | 4 | 810-28 | Sprocket, Double - 24T |
| 16 | 4 | 810-112 | Bearing Extension w/nuts | 56 | 2 | 606-43 | Slide, Chain - 2-3/4" |
| 17 | 20 | 108-34 | Washer .47 x .94 x .06 Zn | 57 | 8 | 606-89 | Carrier, Axle Bearing |
| 18 | 20 | 112-181 | HHCS 7/16-20 x 1.75 Gr5 Zn | 58 | 4 | 107-10 | Retaining Ring SH-0125-PA |
| 19 | 5x8 | 112-183 | Stud, Wheel 7/16-20 x 1.5 | 59 | 2 | 642-47 | Tie Down Bracket |
| 20 | 2 | 810-92 | Axle Asm - Front/Rear HD | 60 | 1 | 613-127 | Magnet, Speedometer |
| 21 | 6 | 810-113 | Axle Asm - Mid HD | | | | |
| 22 | 2 | 810-59 | Shaft, Idler - 11T | | | | |
| 23 | 2 | 606-72 | Sprocket, Idler S60 x 21T | | | | |
| 24 | 8 | 606-34 | Sprocket, S60 x 19T | | | | |
| 25 | 10 | 112-03 | SHSS 5/16-18 x 3/8 1/2 DOG, PL | | | | |
| 26 | 2 | 803-62 | Chain, RC60-1 x 34P Idler-Lambda | | | | |
| 27 | 2 | 112-60 | SHSS 1/4-28 x 1/2 Cup Pt. | | | | |
| 28 | 8 | 112-31 | HHCS 3/8-16 x 1.0 2B Gr8 Zn | | | | |
| 29 | 1 | 112-163 | HHCS 3/8-16 x 2.0 Gr5 Zn | | | | |
| 30 | 4 | 112-61 | C/Bolt 3/8-16 x 1.25 Gr5 Zn | | | | |
| 31 | | 127-80 | Link, Half - RC60 - 1 (opt.) | | | | |
| 32 | 2 | 803-55 | Chain, RC50-2 x 46P-Front (incl. Ref. 40) | | | | |
| 33 | 2 | 803-56 | Chain, RC50-2 x 74P-Mid (incl. Ref. 40) | | | | |
| 34 | 4 | 803-57 | Chain, RC60-1 x 90P-Rear (incl. Ref. 41) | | | | |
| 35 | 5x8 | 117-35 | Nut, Wheel 7/16-20 Zn | | | | |
| 36 | 8 | 125-26 | Valve, Tire | | | | |
| 37 | 8 | 125-13BL | Rim - 8x7, 5 Bolt - Black | | | | |
| 38 | 8 | 127-158 | Tire, Argo 24 x 10-8 | | | | |
| 39 | 6 | 100-01 | Pin, Cotter 1/8 x 1.50 Zn | | | | |

9.0 Fuel System & Seat Assembly 8x8 Frontier Parts Manual

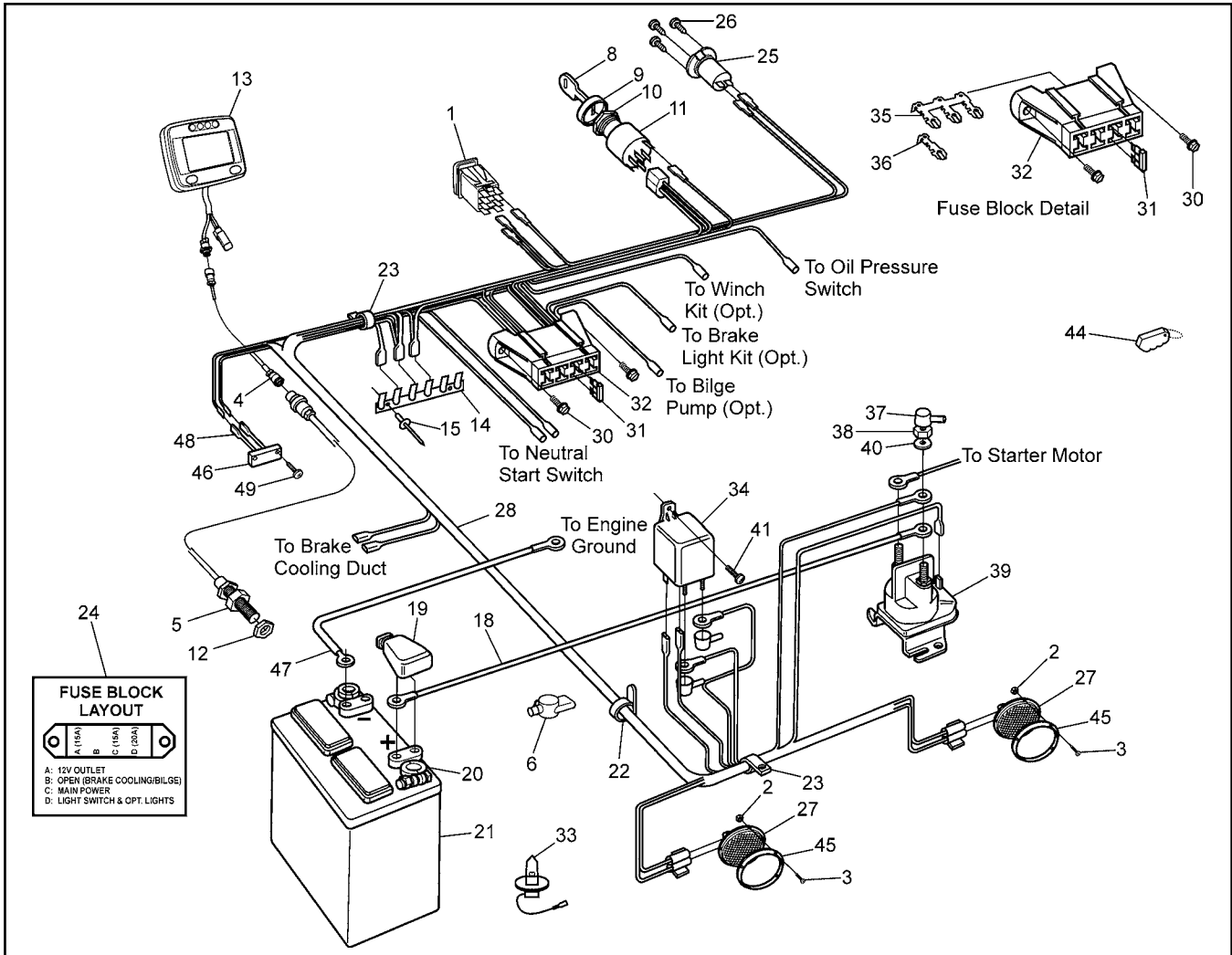


8x8 Frontier Parts Manual 9.0 Fuel System & Seat Assembly

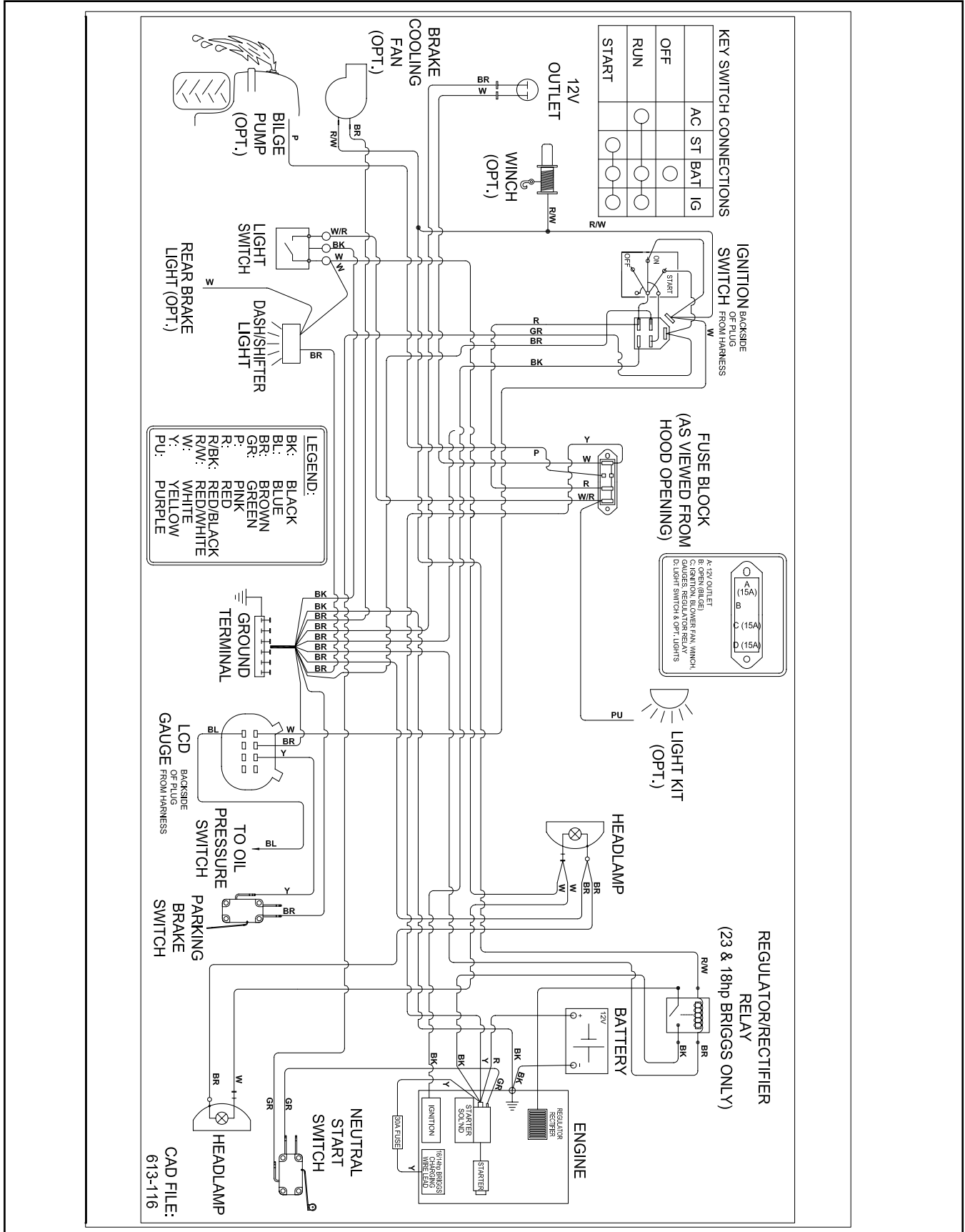
| Ref. | Qty. | Part # | Description |
|------|------|----------|---|
| 1 | 8 | 108-03 | Lockwasher 1/4 Split Ring Zn |
| 2 | 1 | 608-96 | Frame Assembly, Seat |
| 3 | 4 | 112-04 | HHCS 1/4-20x3/4 Gr2 Zn |
| 4 | 2 | 112-78 | Clamp, Hose, 9/16 |
| 5 | 1 | 608-59 | Neck Assembly, Vented Filler |
| 6 | 1 | 608-76 | Frame Assembly, Backrest |
| 7 | 1 | 608-39 | Back pad Assembly |
| 8 | 1 | 608-122 | Tank, Fuel Single Layer |
| | 1 | 608-120 | Tank, Fuel Low Permeation (for U.S.) |
| 9 | 2 | 103-77 | HHCS, 1/4-28 x 2.0 |
| 10 | 2 | 117-01 | Locknut, Nylon 1/4-28 Zn |
| 11 | 1 | 608-54 | Toolbox |
| 12 | 1 | 127-54 | See Section 10.0 Electrical System |
| 13 | 1 | 608-55 | Cover, Battery |
| 14 | 1 | 608-88 | Seat Assembly, Bench - Thick |
| 15 | 2 | 608-81 | Hinge, Seat, Bolted |
| 16 | 2 | 104-43 | Pin, 3/16" x 1-1/8" |
| 17 | 4 | 702-06 | Foam Cushion |
| 18 | 1 | 608-56 | Strap, Battery |
| 19 | 17 | 120-09 | Rivet 3/16x1 - Black |
| 20 | 4 | 112-79 | Clamp, Hose, 1/2" - Black |
| 21 | 1 | 808-133 | Reducer, 5/16" to 1/4" Barbed |
| 22 | 8 | 120-04 | Washer .19 x .50 x .08 Zn |
| 23 | 2 | 100-12 | Clamp, Gear 2.25" HF-36 |
| 24 | 1 | 125-94 | Hose, Filler |
| 25 | 10 | 112-07 | RHMS 10-24 x 1.50 Zn |
| 26 | 1 | 126-46 | Cap, Fuel |
| 27 | 1 | 127-21 | Hose, Vent - 109" |
| 28 | 1 | 126-50 | Male Connector, 1/4" |
| 29 | 6 | 126-94 | Clamp, Nylon Wire - 1/4" ID |
| 30 | 10 | 108-42 | Washer .21 x 1.0x.06 Zn |
| 31 | 14 | 117-10 | Locknut, Nylon #10-24 Zn |
| 32 | 1 | 117-54 | Nut, Locking PAL 1/2-20 Zn |
| 33 | 7 | 126-93 | Clamp, Nylon Wire - 1/2" ID |
| 34 | 2 | 120-15 | Rivet, 1/8 x 7/16 |
| 35 | 1 | 126-11 | Spring |
| 36 | 2 | 112-41 | PHMS, Phil 1/4-20 x 1.25 Zn |
| 37 | 4 | 103-03 | PHMS, Phil 1/4-20 x 1.50 Zn |
| 38 | 2 | 117-64 | Insert, 1/4-20 Steel Cad Pltg. |
| 39 | 4 | 120-13 | Rivet, 3/16 x 3/4 Black |
| 40 | 1 | 808-123 | Plug, Nylon, 1/4 - NPT |
| 41 | 2" | 608-69RM | Hose, Fuel - 5/16" ID Carb |
| 42 | 4 | 120-31 | Rivet, 3/16" x 1/4, Open End |
| 43 | 1 | 608-127 | Pick-up, Fuel, 5/16, 105 |
| 45 | 1 | 608-66 | Hose, Fuel 1/4" ID, 80" |

10.0 Electrical System

8x8 Frontier Parts Manual



| Ref. | Qty. | Part # | Description | Ref. | Qty. | Part # | Description |
|------|------|---------|------------------------------------|------|------|---------|--------------------------------------|
| 1 | 1 | 613-153 | Switch, Light | 25 | 1 | 613-90 | Outlet, 12 V DC |
| 2 | 8 | 117-93 | Nut, Speed #10 | 26 | 3 | 112-139 | #4 Phil Drive Oval Head Screw, Black |
| 3 | 8 | 112-198 | T/S Pan Hd Phil #10 x 1.25 Blk. Zn | 27 | 2 | 613-159 | Headlight - 3.75W |
| 4 | 1 | 613-128 | Cable, Extension, Speedo Pickup | 28 | 1 | 613-116 | Wire Harness |
| 5 | 1 | 613-126 | Sensor, Speedo Pickup | 30 | 2 | 112-51 | Screw, IHWH T/C #10-24x5/8 |
| 6 | 1 | 613-124 | Insulator, 2 Way w/cap, Red | 31 | 3 | 118-49 | Fuse, 15 A 2-prong (AT015) |
| 7 | 1 | 118-30 | Terminal, Eye - #10 | 32 | 1 | 118-60 | Block Fuse - 8 position (4 fuse) |
| 8 | 2 | 127-108 | Key, Molded | 33 | 2 | 127-46 | Bulb, Headlight - Halogen |
| 9 | 1 | 127-107 | Cover, Nut | 34 | 1 | 613-98 | Relay, 80 Amp (if equipped) |
| 10 | 1 | 127-106 | Nut, Flanged - Plastic | 35 | 1 | 118-63 | Terminal, Fuse - Triple |
| 11 | 1 | 127-105 | Switch - Ignition | 36 | 5 | 118-62 | Terminal, Fuse - Single |
| 12 | 1 | 117-87 | Nut, M12 x 1.25, Zn | 37 | 3 | 613-45 | Insulator, Terminal (6 ga.) |
| 13 | 1 | 613-119 | Gauge, LCD | 38 | 3 | 117-20 | Nut, Fin. Hex 1/4-20 Zn |
| 14 | 1 | 613-37 | Terminal Strip, Ground | 39 | 1 | 613-68 | Starter Relay |
| 15 | 2 | 120-15 | Rivet 1/8 x 7/16 | 40 | 1 | 108-03 | Lockwasher 1/4 Split Ring Zn |
| 18 | 1 | 613-94 | Wire, Positive Battery | 41 | 1 | 103-48 | T/S Pan Hd Phil #10x5/8 A Blk |
| 19 | 1 | 127-55 | Cap, Battery Terminal - Red | 44 | 1 | 681-00 | FOB, Key - Floating |
| 20 | 2 | 127-56 | Terminal, Battery Post | 45 | 2 | 613-152 | Bezel, Headlamp |
| 21 | 1 | 127-54 | Battery, Exide 45-60 | 46 | 1 | 613-99 | Light, Shifter Illumination |
| | 1 | 613-161 | Battery, Optima - Argo (Opt.) | 47 | 1 | 613-95 | Wire, Negative Battery |
| 22 | 8 | 100-64 | Tie Wrap - 5.5" - Black | 48 | 2 | 118-69 | Terminal, 3/16 Male Blade 22 Ga |
| 23 | 13 | 126-93 | Clamp, Nylon Wire - 1/2" ID | 49 | 2 | 112-139 | OHPS T/S #4 x 5/8 Black Zn |
| 24 | 1 | 127-154 | Label, Fuse Panel | | | | |



ARGO Products Manufactured by:

Ontario Drive & Gear Limited

220 Bergey Court

New Hamburg, Ontario

Canada N3A 2J5

Phone: (519) 662-2840

Fax: (519) 662-2421

www.argoatv.com

ODG *Dedicated to quality and performance*