

Argo 8x8
Avenger 700



Argo 8x8
Avenger EU
PARTS MANUAL

From Serial # ...32934

Foreword

ODG has prepared this parts manual for the AVENGER model to assist both qualified mechanics and vehicle owners in ordering correct, quality replacement ARGO parts. For the most current parts manual visit our website at www.argoatv.com.

Proper and regular service, and replacing old, worn or broken parts with the correct ARGO replacement parts, are both essential to prolonging the life of the ARGO. Please refer to this parts manual and/or our website www.argoatv.com before ordering any replacement part.

All information contained in this AVENGER Parts Manual is based on the latest product specification available at time of printing. If your AVENGER differs from the specifications contained in this manual, check our website www.argoatv.com for the most current information.

ODG reserves the right to alter specifications on the AVENGER model at any time, without obligation or prior notification.

Reproduction of this AVENGER Parts Manual, in whole or in part, is prohibited without prior written permission from Ontario Drive & Gear Limited.

Vehicle Identification

AVENGER - Serial Nos. ...32934

Explanation of Parts Manual Format

Ref	- Reference number between assembly diagram and component parts list
Part No.	- Argo replacement part number for identification and re-ordering
Description	- Part description for identification and re-ordering
Qty	- Indicates the quantity of a part used in an assembly

Argo 8x8

Avenger 700



Using the Parts Manual

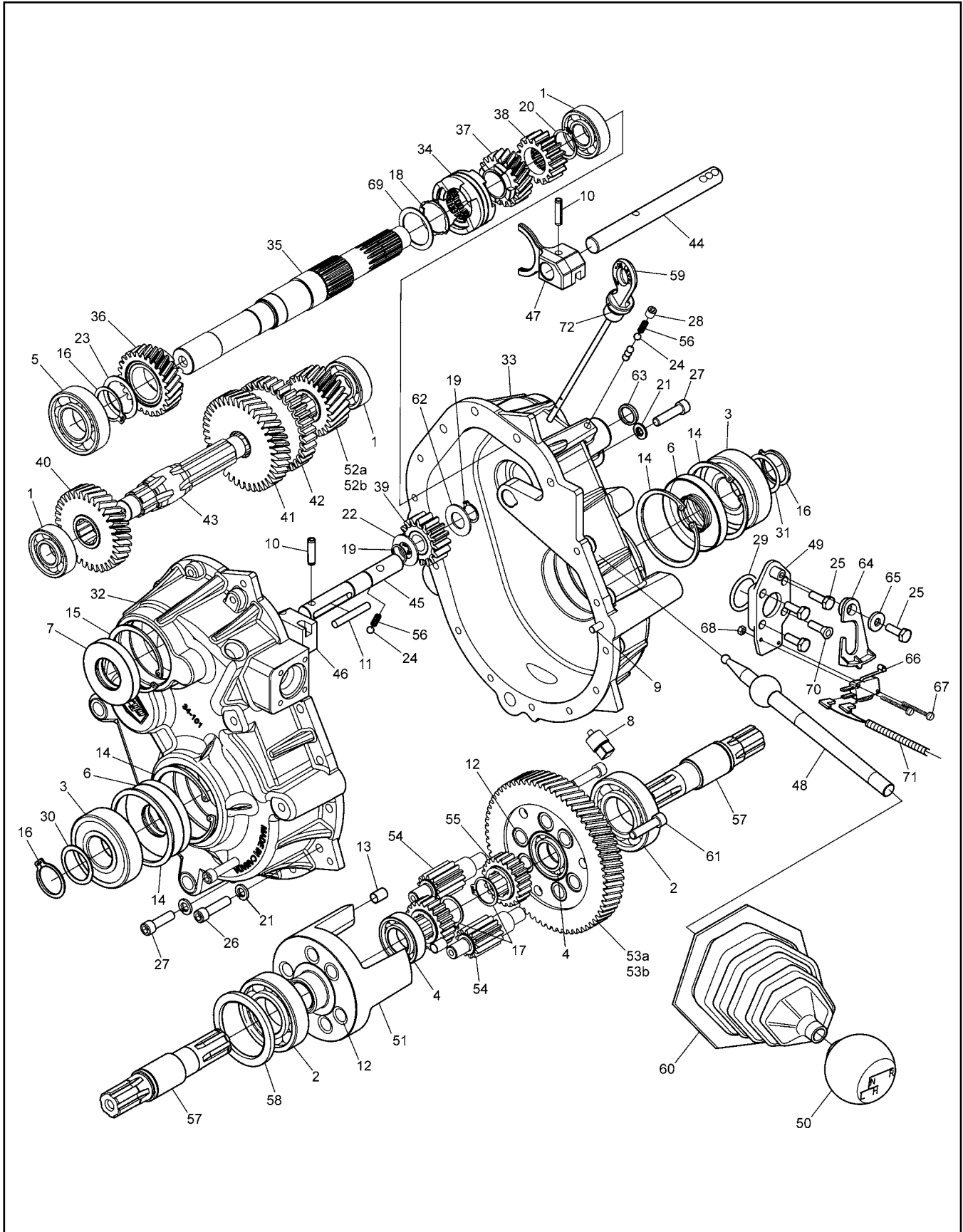
1. Find the major vehicle assembly in the Table of Contents on this page, and turn to that section.
2. Locate the part in the illustration that you wish to order.
3. Refer to the parts list in that section.
4. Find the correct part number (Part No.), part description (Description) and correct quantity (Qty).
5. Use *only* this information to order ARGO replacement parts. **DO NOT** attempt to order a replacement part by reference number or page number.

Table of Contents

Foreword	i
Vehicle Identification.....	i
Using the Parts Manual	ii
1.0 Transmission.....	1
2.0 Intake and Exhaust System	3
3.0 Clutch System.....	5
4.0 Power Pack Assembly	7
5.0 Steering & Brake System.....	9
6.0 Parking Brake	11
7.0 Alternator	13
8.0 Vehicle Body & Firewall	15
9.0 Frame & Drive System.....	17
10.0 Fuel System & Seat Assembly.....	19
11.0 Brushguard	21
12.0 Electrical System	23

1.0 Transmission

Avenger EU Parts Manual

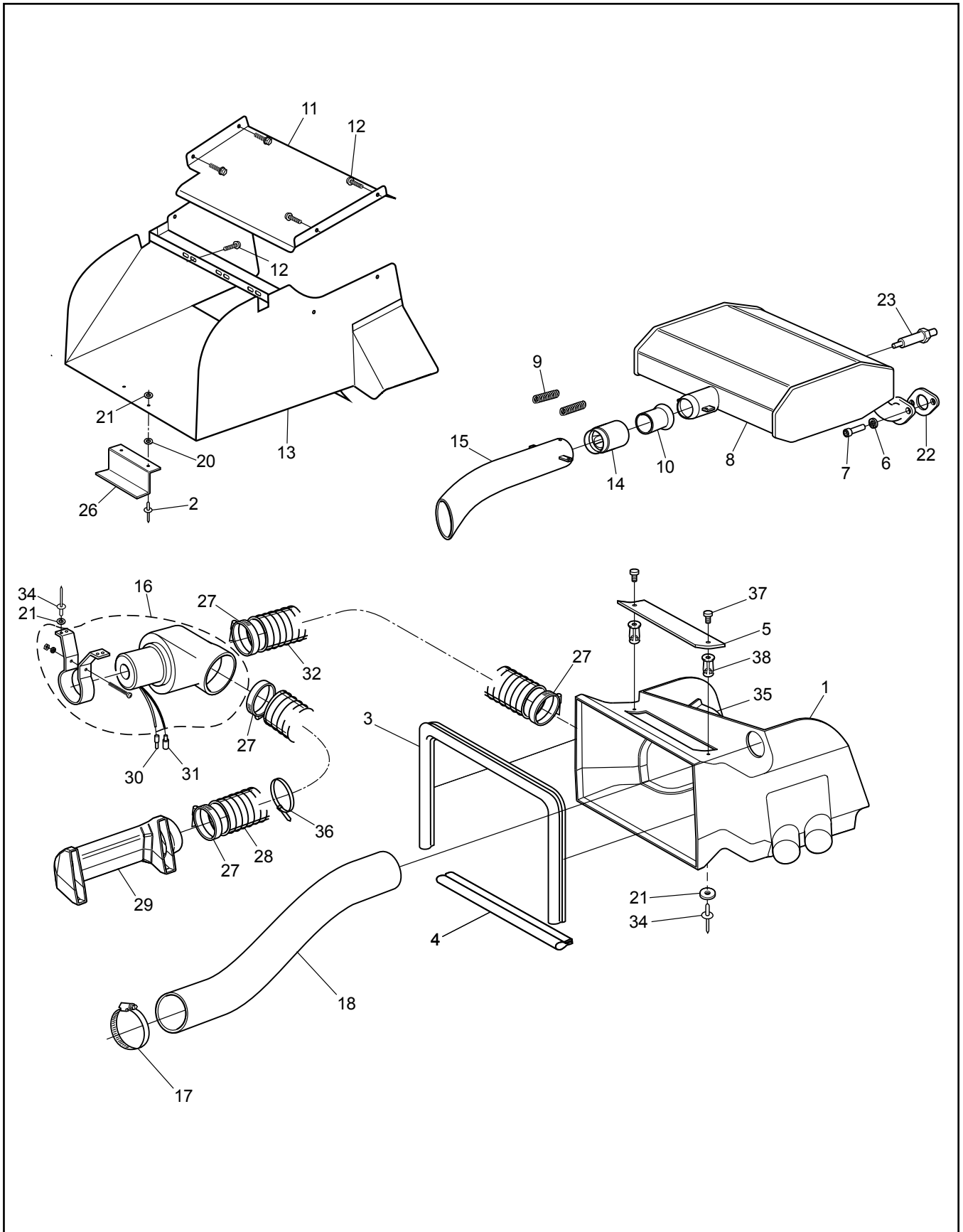


Avenger EU Parts Manual

1.0 Transmission

Ref.	Qty.	Part #	Description	Ref.	Qty.	Part #	Description
	1	34-100	Transmission Assembly	40	1	34-109	Gear, Helical - HI 12DP 33T
	1	34-100-3.3	Transmission Assembly	41	1	34-110	Gear, Helical - LOW 12DP 39T
1	3	101-01	Bearing, Ball 6204Z-C3	42	1	34-111	Gear, Reverse - 10DP 33T
2	2	101-03	Bearing, Ball 6207-C3	43	1	34-112	Shaft, Spline
3	2	101-05	Bearing, Ball 6306LLU-C3/2A	44	1	34-113	Shaft, Shift - Forward
4	2	101-15	Bearing, Ball 6005-C3	45	1	34-114	Shaft, Shift - Reverse
5	1	101-16	Bearing, Ball 6206-C3	46	1	34-115	Block, Shift
6	2	102-03	Seal,Oil WBS 30x72x10 NB D/LIP	47	1	34-116	Fork, Shift
7	1	102-05	Seal,Oil WBS 30x62x10 NB D/LIP	48	1	34-117	Lever, Shift
8	1	103-02	Plug, Magnetic 3/8-18NPT SQ.HD	49	1	34-131	Plate, Shifter
9	2	104-03	Pin, Dowel 1/4x7/8	50	1	34-121	Knob, Shift - w/Argo Logo
10	2	104-39	Pin, Spring - 1/4 x 1.0	51	1	34-122	Cage, Differential
11	1	104-40	Pin, Dowel - 1/4 x 1.75	52a	1	34-123	Pinion, Helical - 25T - 2.6
12	12	105-03	Bushing, Oilite - 1/2x3/4	52b	1	34-125	Pinion, Helical - 21T - 3.3
13	3	105-23	Bushing, Dowel - .312 x .5	53a	1	34-124	Gear Plate - 66T - 2.6
14	4	106-03	Retaining Ring HO-281PA	53b	1	34-126	Gear Plate - 70T - 3.3
15	1	106-05	Retaining Ring HO-244-PA	54	6	34-13	Gear, Planet - 12T
16	3	107-02	Retaining Ring SH-0118-PA	55	2	34-14	Gear, Sun - 21T
17	2	107-04	Retaining Ring SH-0098-PA	56	2	34-32	Spring, Comp. 0.22x.50
18	1	107-14	Retaining Ring LC-125-PA	57	2	34-98	Shaft, Output - Splined
19	2	107-11	Retaining Ring	58	1	114-01	Washer, Shim 2.25 x 2.81 x .02
20	1	107-15	Retaining Ring SHR-098-PA	59	1	CE-035	Dipstick - with Breather - 190mm
21	15	108-05	Lockwasher 5/16 Split Ring Zn	60	1	609-38	Boot, Shifter
22	1	108-78	Washer, Thrust	61	3	112-64	SHCS, 5/16-18 x 1.25
23	1	108-79	Washer, Thrust	62	1	108-88	Washer, Retaining Thrust
24	5	109-05	Ball, Steel 6mm 62-67 Rc	63	1	113-16	O-Ring #AS568-014-70BN 5/8"OD x 1/2"ID x 1/16" Thk
25	4	112-04	HHCS 1/4-20x3/4 Gr2 Zn	64	1	34-132	Follower, Neutral Start
26	14	112-143	SHCS 5/16 x 1.25 Zn	65	1	108-08	Washer, .28 x .62 x .07 Zn
27	1	112-144	SHCS 5/16 x 1.0 Zn	66	1	809-202	Switch, Limit - Two Pole
28	1	112-145	SHSS 5/16 - 18 X 3/8	67	2	112-172/PI	SHMS, #5-40x3/4 Zn
29	1	113-11	O-Ring #AS568-216-70BN	68	2	112-173/PI	Locknut, #5-40 Zn
30	1	114-04	Washer, Shim 1.19x1.50x.04	69	1	108-85	Washer, Retaining Thrust
31	1	114-05	Washer, Shim 1.19x1.50x.02	70	1	112-171	FHSC 1/4-20 x 3/4 Gr2 Zn
32	1	34-101	Housing, Transmission - L	71	1	613-112	Wire Harness, Neutral Start
33	1	34-102	Housing, Transmission - R	72	1	161-28	O-Ring, 3mm CS x 12mm ID
34	1	34-127	Clutch, Dog				
35	1	34-130	Shaft, Input - 19/15T Spline				
36	1	34-128	Pinion, Helical - HI 12DP 26T				
37	1	34-129	Pinion, Helical - LO 12DP 20T				
38	1	34-107	Pinion, Reverse - 10DP 16T				
39	1	34-108	Gear, Idler - Rev - 10DP 16T				

2.0 Intake and Exhaust System Avenger EU Parts Manual

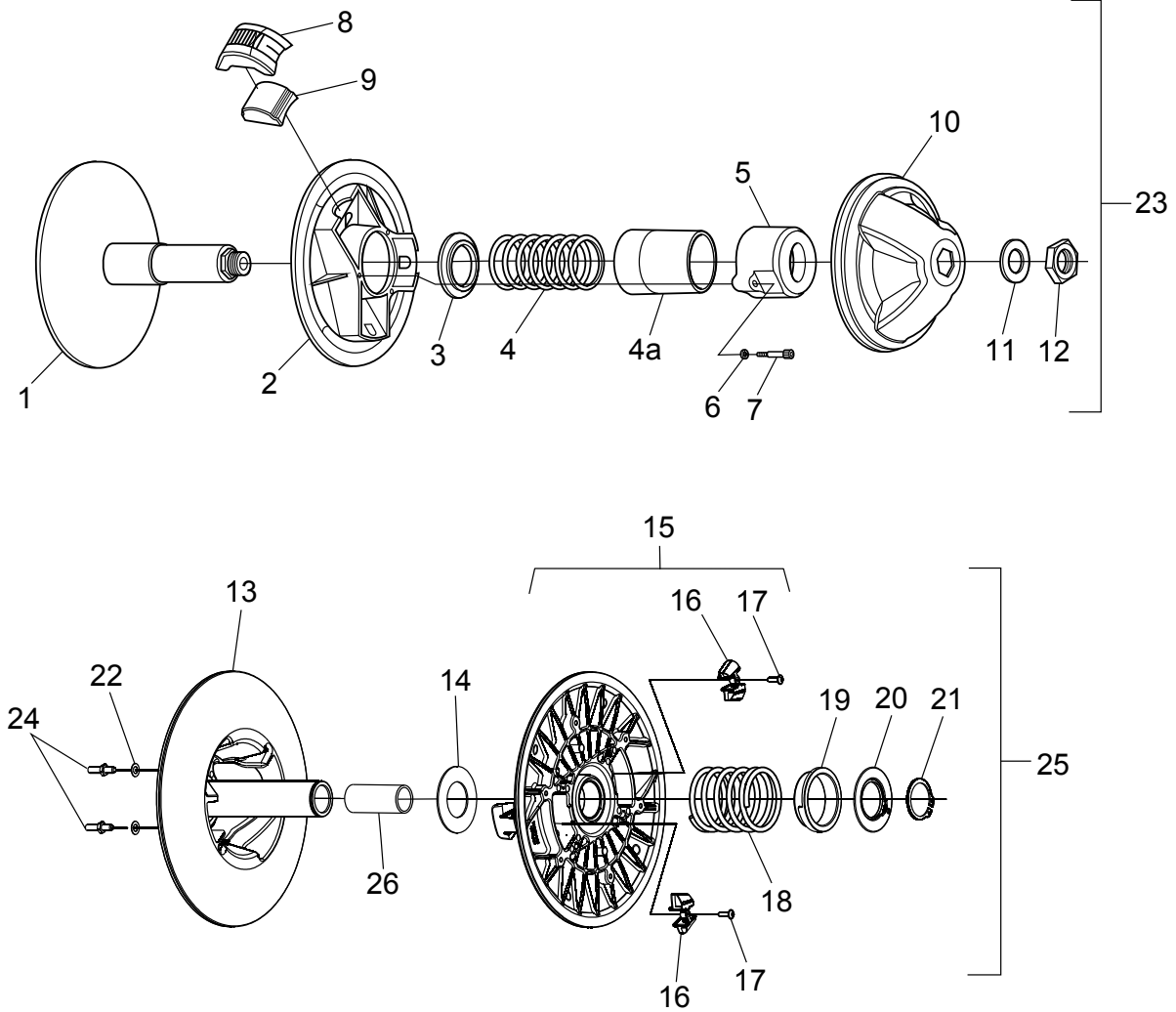


Avenger EU Parts Manual 2.0 Intake and Exhaust System

Ref.	Qty.	Part #	Description
1	1	809-03	Duct, Intake
2	2	120-13	Rivet, 3/16 x 3/4 - Black
3	2	809-166-35	Seal, 35" Long
4	2	809-06	Seal, Radiator - 16.25" LG
5	1	601-111	Cover Plate, Intake Duct
6	4	108-05	Lockwasher 5/16 Split Ring Zn
7	4	112-30	SHCS M8 x 1,25 x 20mm Zn
8	1	607-144	Muffler Ass'y, Kohler 700 EU
9	2	127-187	Spring, Extension - 17/32 x 3.75
10	1	607-135	Tube, Muffler, Flared x 2.0
11	1	607-168	Shield, Heat - Muffler, Avg
12	7	112-19	Screw, IHWH T/C Slot 1/4-20 x 1/2
13	1	607-167	Duct, Exhaust, Avenger
14	1	607-171	Spark Arrestor, ODG
15	1	607-166	Pipe, Tail - Ass'y 8.00
16	1	127-184	Blower Fan
17	1	100-128	Clamp, Gear 2.25"
18	1	848-194	Hose, Intake Flex 2" Dia. x 24"
20	2	125-58	Washer, Fibre - W-77F
21	14	120-04	Washer, .19 x .50 x .08 Zn
22	2	24 041 49	Gasket, Exhaust Manifold
23	1		See Section 4.0 Power Pack Assembly
26	1	607-170	Support, Exhaust Duct - Avenger
27	4	125-35	Clamp, Gear 3.50" HF-52
28	1	127-139	Hose, Brake Fan Discharge
29	1	127-134	Duct, Brake Cooling
30	1	118-02	Terminal, Male #76-1251
31	1	118-03	Terminal, Female #76-1289
32	1	127-140	Hose, Brake Fan Inlet
34	13	120-09	Rivet, 3/16 x 1.0 Black
35	1	809-04	Shroud, Intake Duct
36	1	100-102	Tie Wrap, 14" - White
37	2	117-89	Thumbscrew, 1/4-20 x 1, Nylon
38	2	117-53	Nut, Jack 1/4-20 8L-Jns Zn

3.0 Clutch System

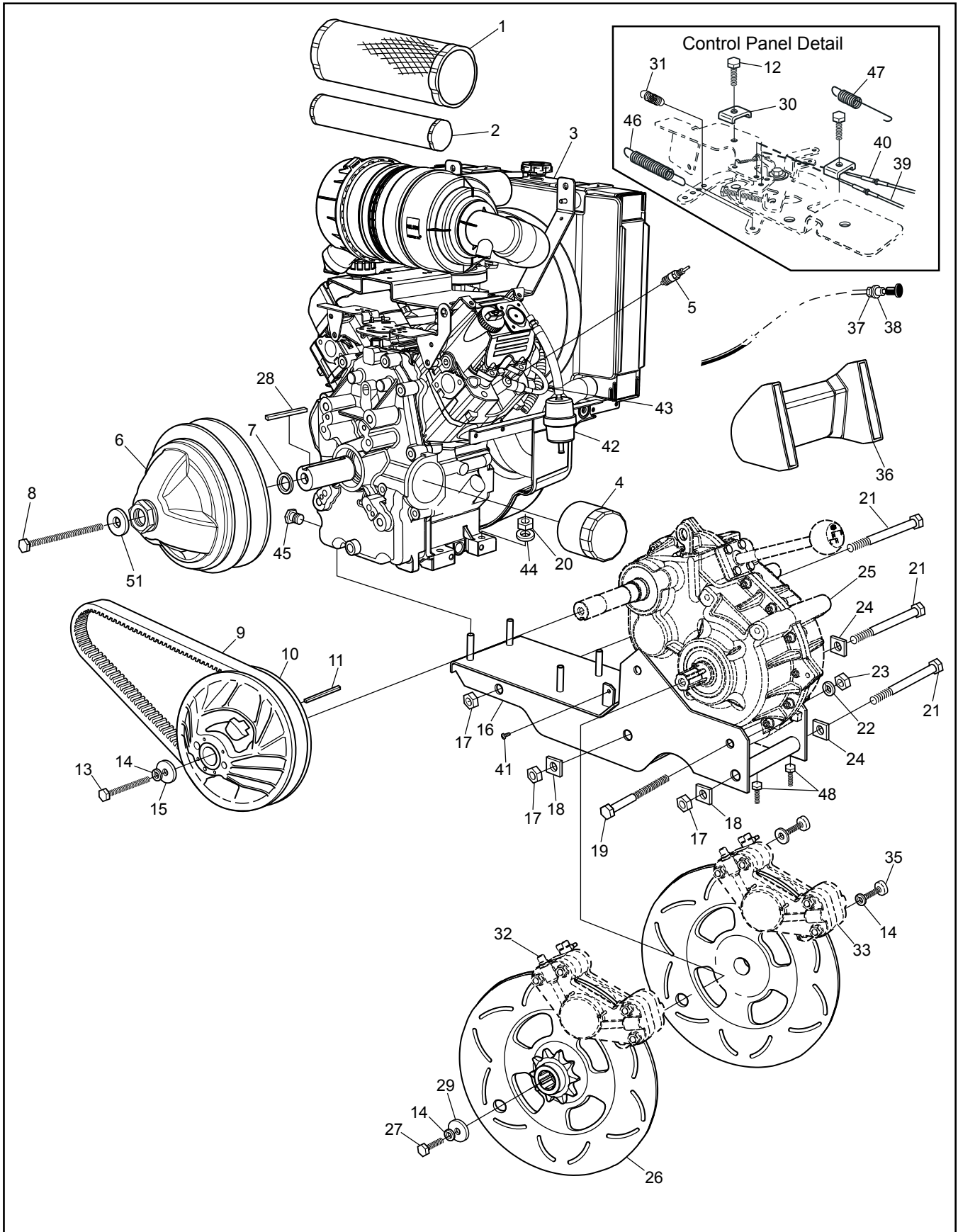
Avenger EU Parts Manual



Ref.	Qty.	Part #	Description
1	1	0405-0075	Flange, Fixed
2	1	0410-0026	Flange, Sliding
3	1	0150-1014	Spring Guide Washer
4	1	0451-1114	Spring
5	1	0440-0005	Spring Cover
6	3	0080-0167	Lockwasher
7	3	0080-0021	Screw, Cap
8	3	0130-3012	Block
9	3	0135-3065	Weight (275gr)
	1	127-208	Weight Set (3), 185g - High Elevation
	1	127-209	Weight Set (3), 220g - High Elevation
	1	127-210	Weight Set (3), 240g - High Elevation
10	1	0115-0047	Cap
11	1	0080-0153	Washer, Zn
12	1	0080-0100	Nut
13	1	5905-0003	Flange, Fixed
14	1	0080-0164	Washer, Shim
15	1	5910-0002	Flange, Sliding
16	3	5930-3001	Cam Shoe
17	2	0080-0031	Screw
18	1	5951-1009	Spring
19	1	5950-3003	Spring Protector
20	1	5950-3002	Spring Support
21	1	0080-0216	Retaining Ring, Outside
22	2	0080-0167	Lockwasher
23	1	127-135	Clutch, Driver
24	2	0080-0035	Screw & Nut Ass'y
25	1	127-156	Clutch, Driven - INVANCE
26	1	5940-2001	Keyway Stopper

4.0 Power Pack Assembly

Avenger EU Parts Manual



Avenger EU Parts Manual

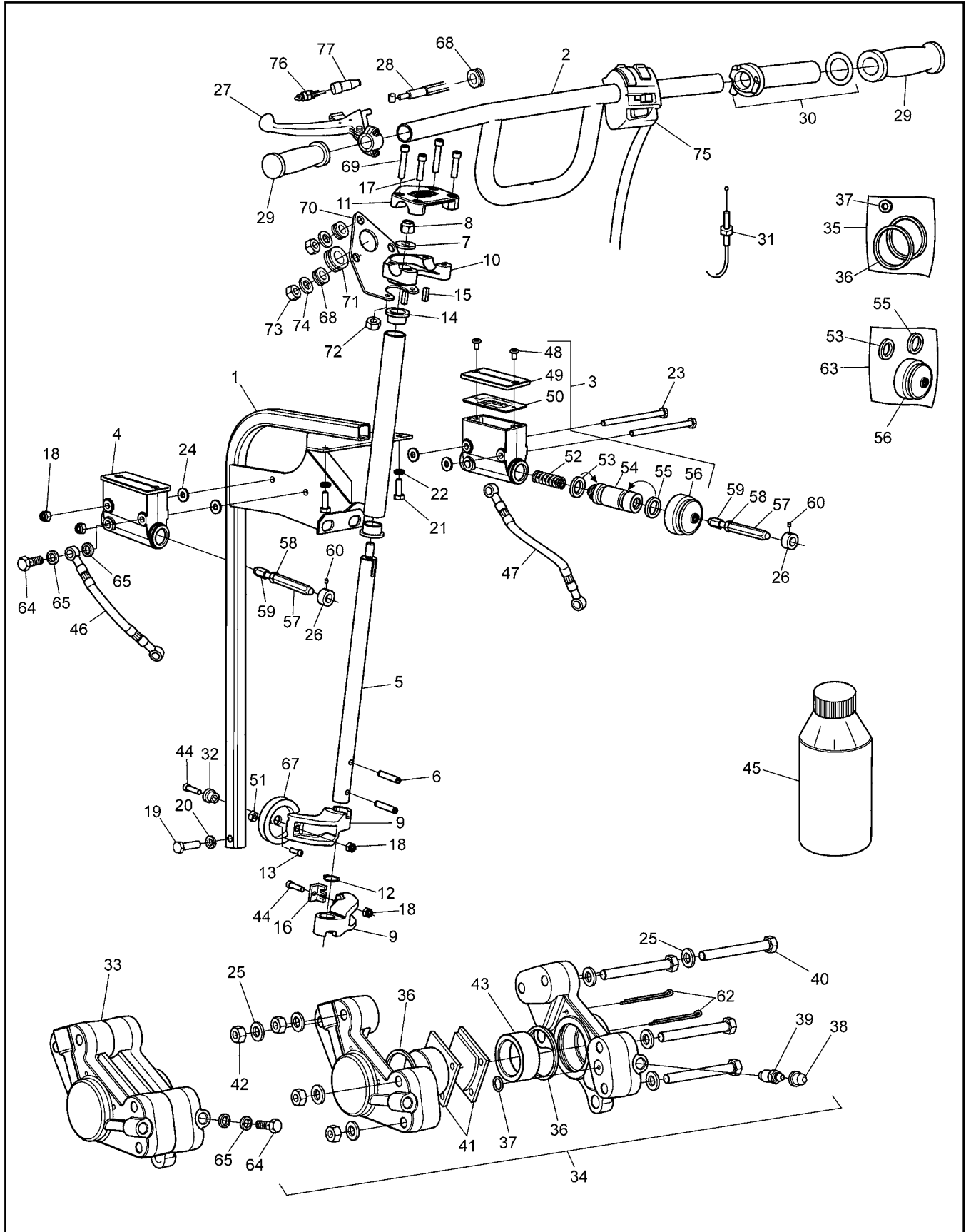
4.0 Power Pack Assembly

Ref.	Qty.	Part #	Description
1	1	25 083 01	Filter, Air
2	1	25 083 04	Element, Inner
3	1	LH690-3017	Kohler 24 HP Engine
4	1	12 050 01	Filter, Oil
5		127-193	Sparkplug, RC14YC
6			See Section 3.0 Clutch System
7	1	108-84	Washer, Engine Clutch
8	1	112-160	HHCS, 7/16-20 x 5.0" Lg
9	1	127-137	Drive Belt - 10.5" Cen. Dist
	1	127-137HD	Drive Belt - Avg/HDi Heavy Duty (Opt.)
10			See Section 3.0 Clutch System
11	1	110-03	Key 1/4 x 3/16 x 2.375 RC46
12	1	M-545016	Screw, Clamp Cable (Kohler #)
13	1	112-164	HHCS 3/8-16 x 3.5 Gr5 Zn
14	7	108-06	Lockwasher 3/8 Split Ring Zn
15	1	108-46	Washer .40 x 1.37 x 1.2 Hi-Carbon
16	1	806-35	Frame Ass'y - Power Pack
17	3	117-83	Locknut, Stover 5/8-11 Zn
18	2	811-09	Washer, Square - .64 ID
19	2	103-20	HHCS 1/2-13 x 6.5 Gr5 Zn
20	4	117-118	Locknut, Nylon 3/8-16 Flanged
21	3	112-58	HHCS 5/8-11 x 7.5 Gr5 Zn
22	2	108-107	Lockwasher 1/2" High Alloy
23	2	117-06	Nut, Fin Hex 1/2-13 Zn
24	2	811-15	Washer, Square Lock .64 ID
25			See Section 1.0 Transmission
26	2	606-74	Disc, Brake-Splined #60-10T
27	2	103-18	HHCS 3/8-24 x 1.25 Gr5 Zn
28	1	110-18	Key 1/4 x 1/4 x 1.75
29	2	108-18	Washer .40 x 1.37 x .12 Zn
30	1	12 237 01	Clamp, Cable (Kohler #)
31	1	24 089 51	Spring, Throttle (Kohler #)
32			See Section 5.0 Steering & Brake System
33			See Section 5.0 Steering & Brake System

Ref.	Qty.	Part #	Description
35	4	103-41	SHCS 3/8-16 x 1.25 Zn
36			See Section 2.0 Intake & Exhaust
37	1	117-68	Nut, Jam 3/8-24 UNF Zn
38	1	108-32	Lockwasher 3/8 Int. Tooth
39	1	612-92	Cable Ass'y, Choke
40	1	612-101	Cable Asm., Throttle
41	2	103-71	Screw, IHWH T/C 1/4-20 x 1.25 Zn
42	1	125-64	Filter, Fuel
43	1	25 707 01	Shielded Spark Plug Kit - EU
44	4	108-26	Washer, .43 x 1.02 x .09 Zn
45		112-156	Plug, Oil Drain 3/8-18 NPT Hex
46	1	24 089 46	Spring, Governer (Kohler #)
47	1	127-49	Spring, Extension
48	2	103-53	HHCS 3/8-16 x 3.0 Full Thread
51	1	108-58	Washer, .47 x 1.37 x 12 Hi-carbon

5.0 Steering & Brake System

Avenger EU Parts Manual



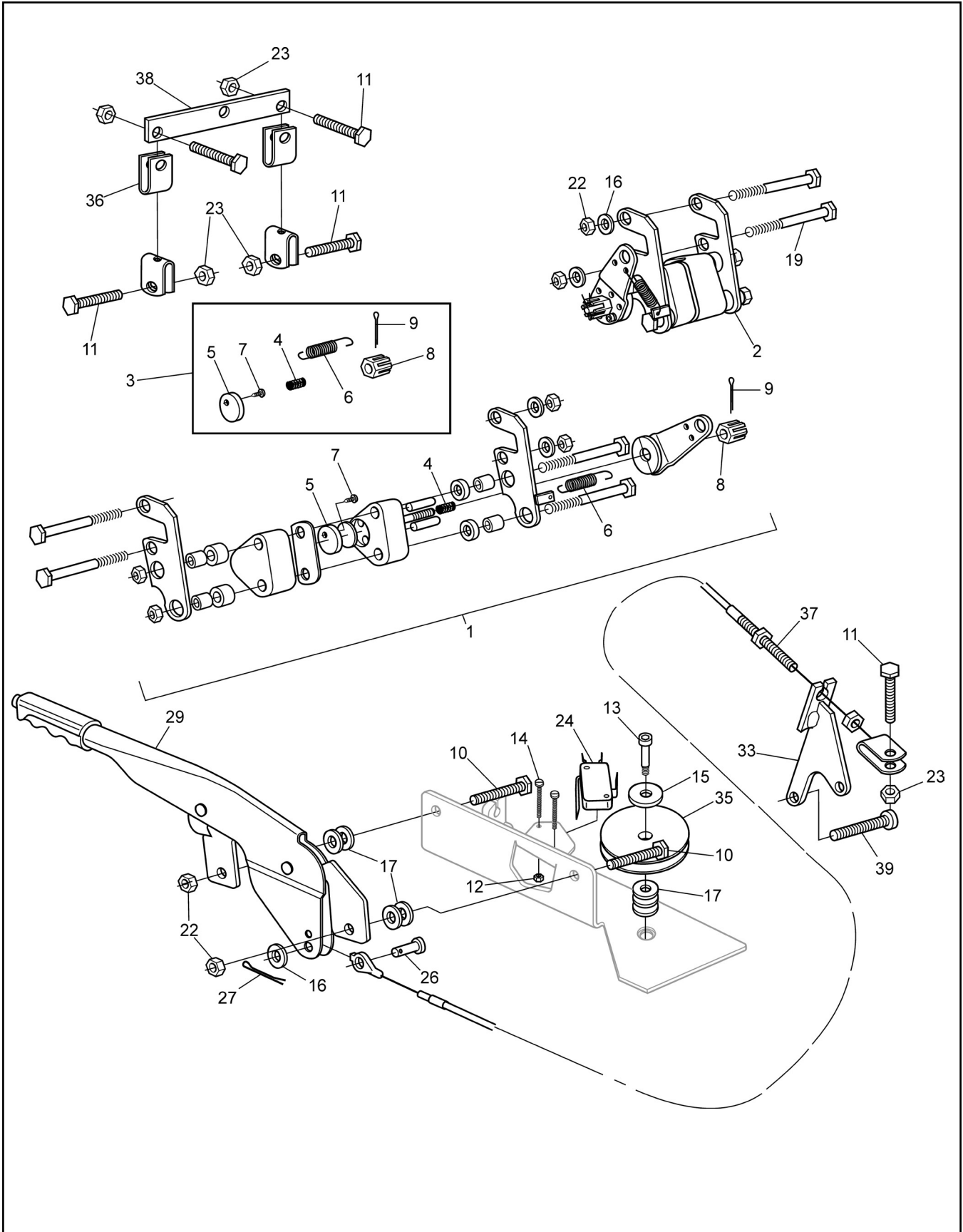
Avenger EU Parts Manual

5.0 Steering & Brake System

Ref.	Qty.	Part #	Description	Ref.	Qty.	Part #	Description
1	1	612-123	Frame Assembly, Steering Column	45		126-19	Fluid, Brake-Silicon Dot 5 - .35L
2	1	612-107	Handlebar Assembly	46	1	163-06	Hose Asm, Hydraulic - Right - SS
3	1	165-08	Master Cylinder, Grimeca - R	47	1	163-05	Hose Asm, Hydraulic - Left
4	1	165-07	Master Cylinder, Grimeca - L	48	2x2	160-42	Screw, FHMS M5 x 0,8 x 6mm
5	1	612-128	Shaft, Steering - Avenger	49	2x1	168-08	Cover
6	2	104-42	Pin, Spring 1/4 x 1.5"	50	2x1	168-09	Cover, Rubber
7	1	108-47	Washer, .39 x .94 x .13 Zn Di-chr	51	1	117-10	Locknut, 10-24 N/I Zn
8	1	117-29	Locknut, Nylon 3/8-16 Zn	52	2x1	162-08	Spring, Comp. 17.3 x 49.3mm
9	2	612-124	Arm, Steering	53	2x1		Seal, Primary, 19mm (See Ref. 63)
10	1	612-106	Clamp, Lower Handlebar	54	2x1	168-10	Piston 19mm dia.
11	1	612-105	Clamp, Upper Handlebar	55	2x1		Seal, Secondary, 19mm (See Ref. 63)
12	1	106-07	Ring, Retaining SH-0075PA	56	2x1		Boot, Rubber (See Ref. 63)
13	1	160-46	SHCS, #10-24 x 3/8"	57	2	812-30	Pin, Female
14	2	105-16	Bushing, Oilite - 3/4 x 1/2	58	2	117-03	Nut, Fin Hex 1/4-20 Zn
15	2	110-17	Key, 3/16 x 3/16 x .625	59	2	812-31	Fin, Male
16	1	128-24	Retainer, Handbrake Cable	60	2	112-02	SHSS 10-24x1/4 Knurl Cup PT, PL
17	2	112-47	SHCS, 1/4-20 x 1.0 Zn	62	2x2	168-07	Pin, Cotter 1/8 x 3.00 Zn
18	4	117-27	Locknut, Nylon 1/4-20 Zn	63	2x1	161-25	O-Ring Kit - Master Cylinder - Grimeca (incl. Ref. 53, 55 & 56)
19	1	103-38	HHCS 5/16-18x1.25 Gr5 Zn	64	4	160-44	Bolt, Banjo - M10 x 1,0 x 21,0
20	1	108-05	Lockwasher, 5/16 Split-Ring Zn	65	13	160-01	Washer, Copper - 1,5 x 10,0 x 14,0
21	2	112-04	HHCS 1/4-20 x 3/4 Gr2 Zn	67	1	165-18	Pulley, Handbrake Cable
22	2	108-03	Lockwasher 1/4 Split Ring Zn	68	4	125-84	Grommet, Rubber
23	2	103-66	HHCS, 1/4-20 x 4.0 Gr5 Zn	69	2	103-69	SHCS 1/4-20 x 1.5 Zn
24	4	108-08	Washer, .28 x .62 x .04 Zn	70	1	612-132	Bracket, LCD Gauge - Painted
25	2x8	108-24	Washer, .34 x .70 x .06 Zn	71	1	128-27	Grommet 1-1/4ID x 1-1/2x3/32
26	2	812-17	Collar	72	2	117-86	Nut, Acorn, 1/4-20 Zn
27	1	128-17	Lever Assembly, Handbrake, Spring	73	3	117-85	Nut, Acorn, M5 Zn
28	1	128-21	Cable Assembly, Handbrake	74	3	120-04	Washer .19 x .50 x.08 Zn
29	2	127-35	Grip, Molded	75	1	613-173	Hand Control Switch,EU
30	1	127-81	Throttle Twist Grip	76	1	118-66	Switch, Brake Light
31	1	612-101	Cable Asm., Throttle	77	1	118-67	Boot, Brake Light Switch
32	1	105-25	Bushing, Flange Oilite FF-310				
33	1	166-10	Caliper, Hydraulic Brake - L w/o pads				
34	1	166-11	Caliper, Hydraulic Brake - R w/o pads				
35	2	161-05	O-ring Kit, Knott Caliper				
36	4		Seal, Piston				
37	2		Seal, Rubber				
38	2x1	168-20	Plug, Rubber				
39	2x1	168-02	Screw, Bleeding, Knott Caliper				
40	2x4	103-55	HHCS, 5/16-18 x 2.75 Gr5 Zn				
41	1	170-03	Pad Set (4), Brake - Non-Asbestos				
42	2x4	117-03	Nut, Fin Hex 5/16-18 Zn				
43	2x2	168-01	Piston, Knott Caliper				
44	2	112-159	BHCS, 1/4-20 x 1.0, Plated				

6.0 Parking Brake

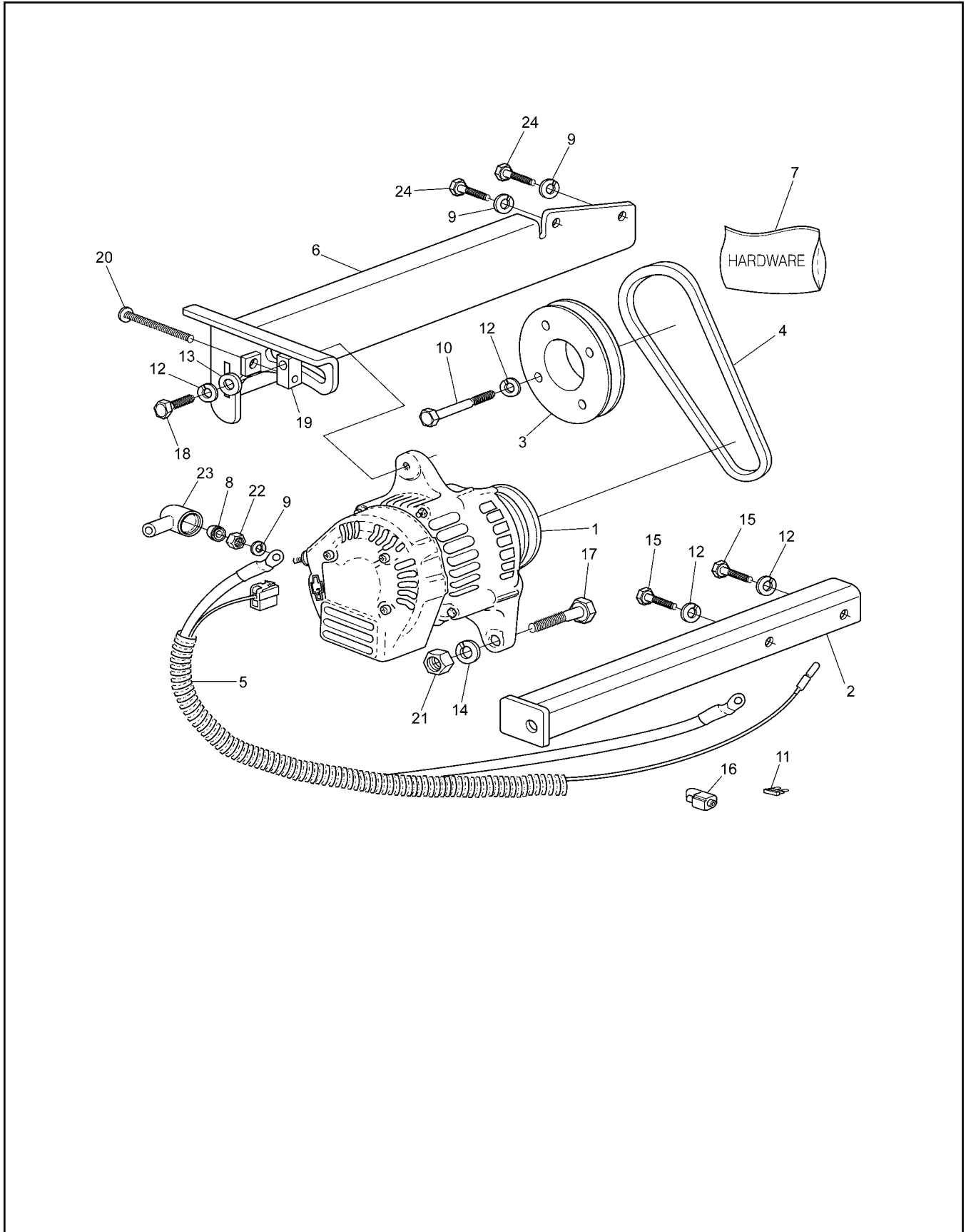
Avenger EU Parts Manual



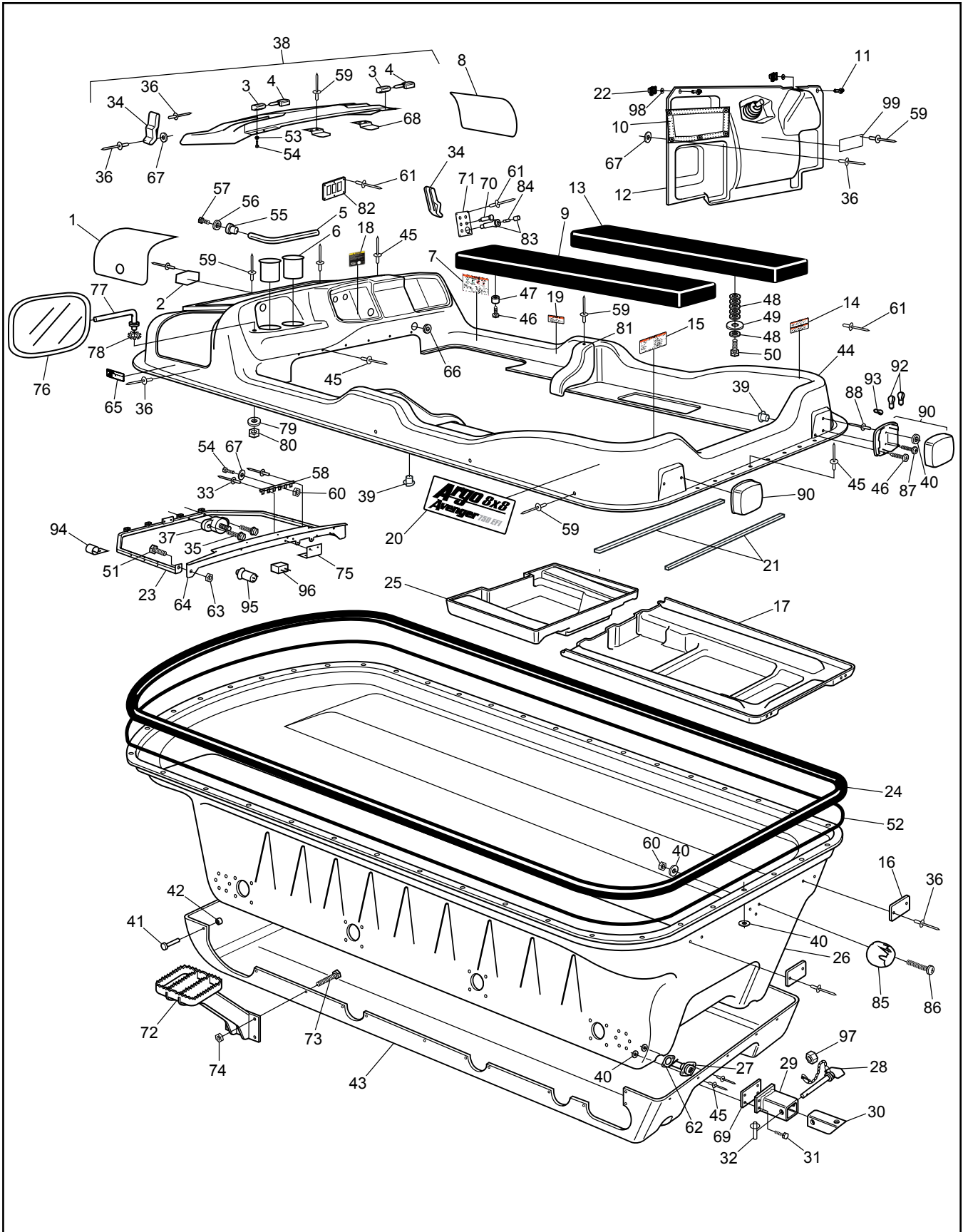
Ref.	Qty.	Part #	Description
1	1	850-96	Caliper Ass'y, LH, Parking Brake
2	1	850-97	Caliper Ass'y, RH, Parking Brake
3	1	850-98	Kit, Service, Parking Brake (includes Ref. 4 - 9, not sold separately)
4	1		Cam Tension Spring (compression)
5	1		Left & Right Brake Pads
6	1		Cam Arm Spring (tension)
7	1		Brake Pad Retaining Screw
8	1		Castle Nut
9	1		Cotter Pin
10	2	103-06	HHCS 5/16-18x1.0 Gr5 Zn
11	5	103-08	HHCS 1/4-20x1.0 Zn
12	2	112-173	Locknut, #5-40, Zn
13	1	112-178	Bolt, Shoulder, 1/2 x 5/8
14	2	112-172	SHCS 5-40 x 3/4 Zn
15	1	108-35	Washer .53 x 1.06 x .09 Zn
16	5	108-24	Washer .34x.70x.06 Zn
17	7	108-47	Washer .39x.94x.13 Zn Di-Chro
18	1	117-10	Locknut, 10-24 N/I Zn
19	4	112-132	HHCS 5/16-18 x 3.25 Gr5 Zn
22	6	117-21	Locknut, Nylon 5/16-18 Zn
23	5	117-27	Locknut, Nylon 1/4-20 Zn
24	1	613-120	Switch, Micro, Lever
26	1	104-27	Pin, Clevis 5/16x.75" Zn
27	1	100-100	Pin, Cotter 1/8x3/4 Zn
29	1	809-147	Lever, Parking Brake
33	1	850-72	Bracket Asm, Parking/Brake
35	1	850-79	Pulley, Parking Brake Cable
36	2	850-80	Cable, Parking Brake Equalizer
37	1	850-81	Cable, Parking Brake
38	1	850-82	Flat Bar, Equalizer
39	1	112-143/PI	SHCS 5/16x1.25 Zn
			*If equipped

7.0 Alternator

Avenger EU Parts Manual



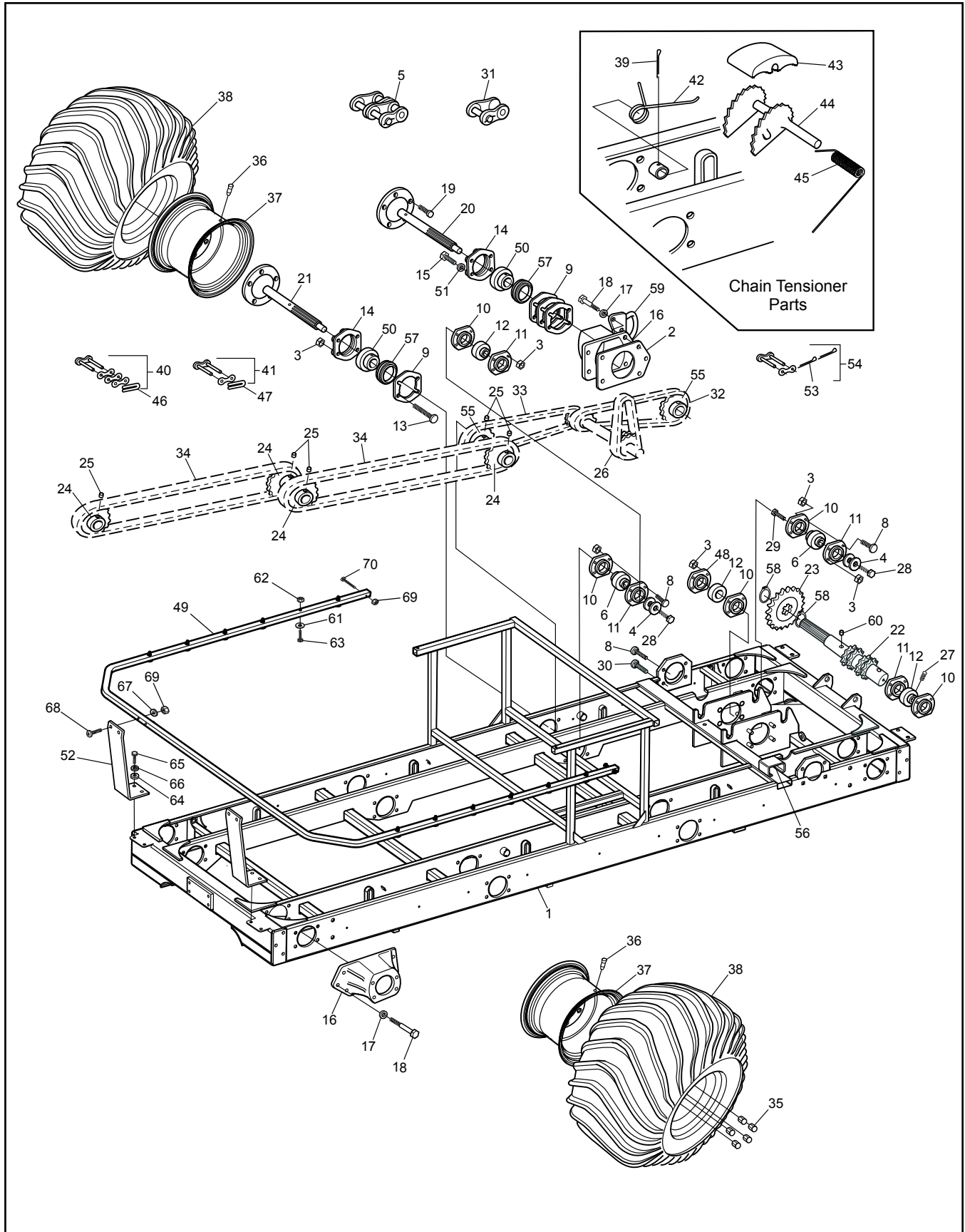
Ref.	Qty.	Part #	Description
1	1	850-41	Alternator - 40 amp
2	1	850-181	Bracket Assy, Altr Engine Lower
3	1	850-59	Pulley, V-Belt
4	1	850-45	V-Belt, 3/8" x 19"
5	1	850-58	Wire Harness
6	1	850-180	Bracket Assy, Altr Engine Upper
7	1	850-54HDW	Hardware Kit comprised of:
8	1	117-94	Pushnut, 5/32" Shaft
9	3	108-03	Lockwasher 1/4" Split Ring Zn
10	4	112-167	HHCS M8 x 1,25 x 80 mm Zn
11	1	118-52	Fuse, 10A 2-Prong
12	7	108-05	Lockwasher 5/16" Split Ring Zn
13	1	108-24	Flat Washer .34 x .70 x .06 Zn
14	1	108-27	Lockwasher 7/16" Split Ring Zn
15	2	112-20	HHCS M8 x 1.25 x 25mm
16	1	118-04	Connector, t-Tap 14-18 Awg
17	1	112-22	HHCS M10 x 1,50 x 50mm Zn
18	1	112-63	HHCS M8 x 1.25 x 35mm Gr 5 Zn
19	1	850-52	Block, Adjuster
20	1	112-65	RHMS 1/4 - 20 x 3" Phil Zn
21	1	117-62	Nut, Hex M10 x 1.50 Zn
22	1	117-63	Nut, Hex M6 x 1.0 Zn
23	1	613-45	Insulator, Terminal (6ga.)
24	2	112-97	HHCS M6 x 1,0 x 25mm Zn



Avenger EU Parts Manual

8.0 Vehicle Body & Firewall

Ref.	Qty.	Part #	Description	Ref.	Qty.	Part #	Description
1	1	707-43	Screen - Exhaust - Avenger	50	4	103-08	HHCS 1/4-20 x 1.0 Zn
2	1	601-130	Nameplate, "Argo"	51	2	112-04	HHCS 1/4-20 x 3/4 Gr2 Zn
3	2	127-45B	Knuckle, Hinge	52	1	126-60	Vinyl Strip, 1/2" x 1/4" x 37.5'
4	2	127-45A	Pin, Hinge	53	8	108-59	Lockwasher #10 Int. Tooth Zn
5	1	601-101BL	Tube, Dash Handle	54	9	103-47	HHCS 10-24 x 1/2
6	2	100-109	Cup holder Insert	55	1	113-12	Insert, 1/2-13
7	1	126-68	Plate, Operation	56	1	108-35	Washer .53 x 1.06 x .09 Zn
8	1	707-42	Screen, Intake	57	1	112-151	HHCS 1/2-13 x 1" Gr2 Zn
9	1	608-64	Seat, Rear - Left	58	1	613-37	Terminal Strip, Ground
10	1	100-108	Mesh, Glove Box	59	23	120-13	Rivet, 3/16 x 3/4 Black
11	2	112-199	Stud, Q-Turn - Long	60	4	117-10	Locknut, 10-24 N/I Zn
12	1	803-68	Firewall, Avg./Fron. - Alt. Mnt	61	44	120-24	Rivet, 3/32 x 3/8 Alum. (all plates)
13	1	608-65	Seat, Rear - Right	62	2	100-114	Gasket, Drain Plug
14	1	126-67	Plate, Floor Pan	63	2	117-82	Locknut, Flange 1/4-20 Zn
15	1	127-173	Plate, Vehicle Capacity	64	1	602-51	Frame Ass'y, Hood - Rear
16	2	613-148	Rear Reflector, Hella	65	1	127-144	Label, Warning - HOT
17	1	803-67	Floor Pan, Rear - Euro	66	1	128-26	Grommet, 1-1/2ID x 1-3/4x1/4
18	1	127-141	Label, Caution - Keyswitch	67	6	120-05	Washer, .19 x .50 x .04 Zn
19	1	126-69	Plate, Fuel	68	2	602-52	Clip, Hood - Avenger
20	2	127-165	Nameplate - 8x8 Avenger 700	69	1	616-20	Gasket, Rear Hitch
21	2	601-09	Trim, Vinyl - 28"	70	5	613-145	Dashboard Lights, Hella
22	2	117-91	Receptacle, Q-Turn	71	1	601-115	Plate, Indicator - EU
23	1	602-49	Frame Ass'y, Hood - Front	72	1	848-05	Step Ass'y, Entry - Avenger
24	1	801-05	Bumper, Vinyl - 8x8	73	4	103-34	HHCS 3/8-16x1.25 Gr5 Zn
25	1	803-59	Floor Pan, Front - Avenger	74	4	117-29	Locknut, Nylon 3/8-16 Zn
26	1	801-50	Body, Lower - Avenger	75	1	602-61	Bracket, Flasher Relay Mnt
27	2	100-107	Plug, Drain - Flanged	76	1	848-168	Mirror, Side
28	1	104-55	Pin with Chain and Lynch Pin	77	1	848-169	Support, Side Mirror
29	1	616-22	Hitch Assembly, EU	78	1	108-55	Lockwasher 7/16 Ext Tooth Zn
30	1	616-19	Tube, Hitch	79	1	108-18	Washer .40x1.37x.12 Zn
31	4	103-82	HHCS 3/8-16 x 1.5 Gr5 Zn	80	1	117-60	Locknut, Nyloc M10x1.5mm Zn
32	1	127-150	Plate, Switch Mounting -3 Hole	81	2	601-117	EU Cover, Body Side - TPO
33	6	120-15	Rivet - 1/8 x 7/16	82	1	127-150	Plate, Switch Mounting-3 Hole
34	2	602-56	Latch, Hood - Soft Draw	83	1	613-163	Switch, Hazard Flasher, No Bulb
35	2	112-51	Screw, IHWH T/C #10-24x5/8	84	1	613-164	Bulb, Hazard Flasher
36	31	120-11	Rivet 5/32 x 9/16 - Black	85	1	613-147	Trailer Connector, Hella
37	1	613-123	Post, Power, 5/16-18, Red	86	3	112-07	RHMS 10-24x1.50 Zn
38	1	602-47	Hood Kit - Avenger (spec. colour) (incl. 3, 4, 34, 36, 53, 54, 59, 67, 68)	87	2	103-31	PHMS 1/4-20x5/8 Gr5 Zn
39	4	117-44	T- Nut 1/4-20 Zn	88	2	120-31	Rivet, 3/16" X 1/4", Open End
40	91	120-04	Washer .19 x .50 x .08 Zn	90	2	613-143	Tail Stop Turn - 2 of Part/Box
41	32	120-27	Pin, Magna Grip	92	4	613-169	Bulb, EU Tail, Turn Signal
42	32	120-28	Collar, Magna Grip	93	2	613-171	Bulb, EU RR Marker
43	1	801-51	Skid Plate, 8x8 - Black	94	8	127-24	Clamp, Nylon - 1" ID
44	1	801-52	Body & Hood, Upper - Avenger (spec. colour) (incl. 23,33,34,38)	95	1	613-146	4 Way Flasher Relay, Hella
45	109	120-09	Rivet 3/16 x 1 - Black	96	1	118-73	Relay, Signal Light, Glow Plug
46	6	103-48	T/S Pan HD PHIL #10 x 5/8	97	1	112-115	Locknut, Nylon M6x1 Zn
47	4	126-79	Bumper, Plastic - Black	98	2	114-24	Retainer, Q-Turn Washer
48	24	108-25	Washer .31 x .75 x .06 Zn	99	1	129-01	Plate, Geared By ODG
49	4	603-15	Washer, Plastic 5/16 Hole				Note: For ultra chrome add UC to part #

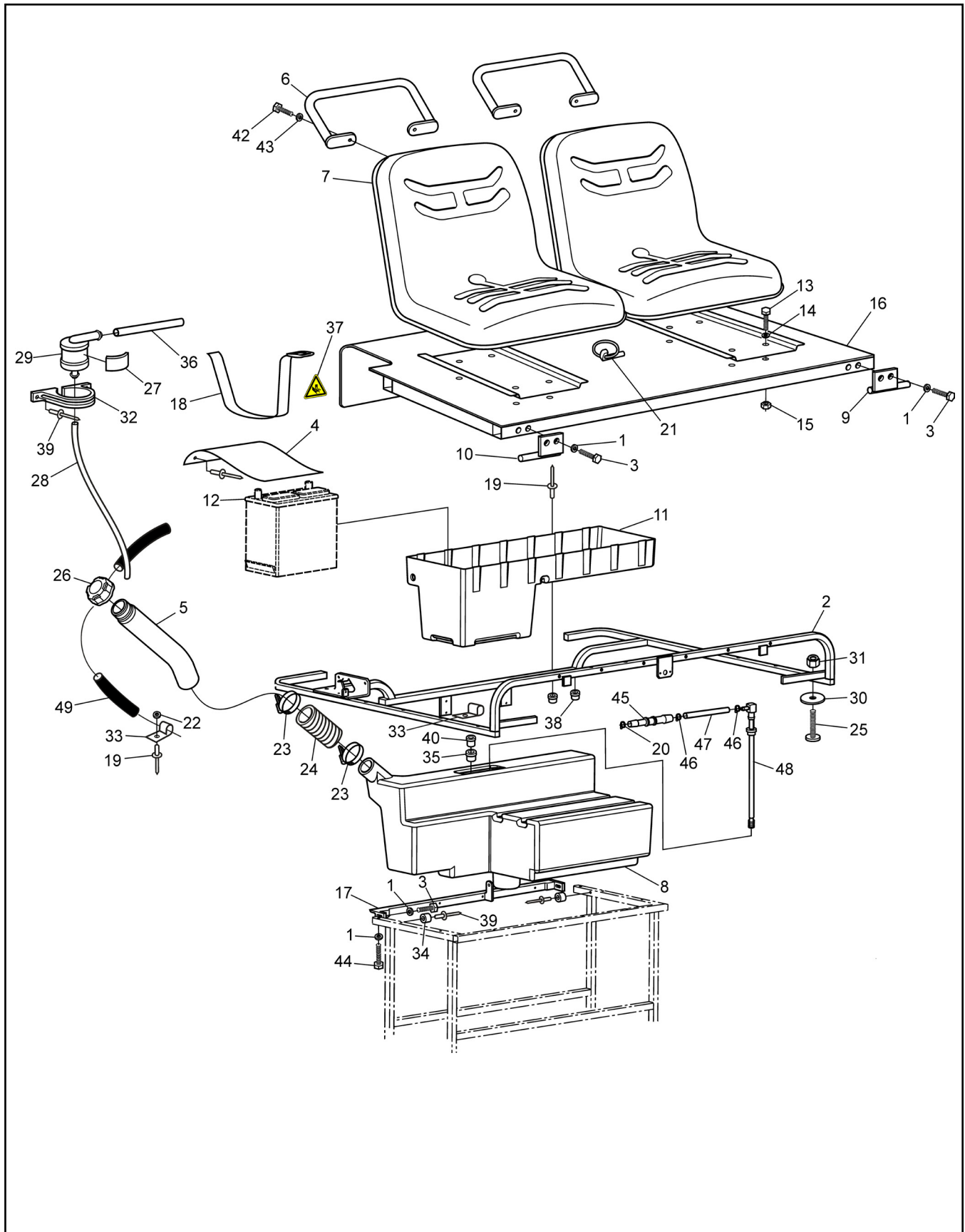


Avenger EU Parts Manual

9.0 Frame and Drive System

Ref.	Qty.	Part #	Description	Ref.	Qty.	Part #	Description
1	1	804-106	Frame Asm - 8x8, Susp. Seat	38	8	127-182	Tire, Argo 25x12-9
2	4	606-25	Gasket - Bearing Extension	39	6	100-01	Pin, Cotter 1/8 x 1.50 Zn
3	72	117-18	Locknut, Nylon 3/8-16 Flanged	40	1x4	100-96	Con. Link, RC50-2 H.D.
4	16	108-46	Washer .40 x 1.37 x .12 Hi-Carbon	41	1x4	603-84	Con. Link, RC60-1 H.D.
5		125-75	Link, Half RC50-2	42	6	127-65	Spring Torsion - 1.16x0.35
6	8	101-41	Bearing, Ball - 1.0	43	6	606-44	Slider Block
7	80	108-15	Washer, .42 x .81 x .05 Zn	44	6	606-82	Tensioner Asm, Chain
8	35	103-88	C/Bolt 3/8-16 x 1.0 Gr5 Zn	45	6	127-64	Spring, Torsion - .76 x 1.9
9	16	606-90	Gasket, Flange - 72mm	46	4	603-95	Spring Clip - RC 50 Closed
10	12	606-91	Flange - 4 Hole Hd	47	4	603-96	Spring Clip - RC 60 Closed
11	10	606-92	Flange, Greasable - 4 Hole Hd	48	2	606-93	Flange, Greaseable - 90 Deg. Hd
12	4	101-96	Bearing, Ball - 1.25x1.5 No Grv	49	1	806-254	Tube, Rear Hoop, Argo
13	16	112-187	C-Bolt 3/8-16x2.0 Gr5 Zn	50	8	101-95	Bearing, Ball - 1.25 x 72mm
14	8	606-88	Flange Ass'y, Outer Bearing	51	16	108-06	Lockwasher 3/8 Split Ring Zn
15	16	103-68	HHCS 3/8-16 x 2.0 Gr5 Zn	52	2	806-255	Bracket, Rear Hoop, Argo
16	4	810-112	Bearing Extension w/nuts	53	4	104-35	Pin, Cotter 2mm x 12mm
17	20	108-34	Washer .47 x .94 x .06 Zn	54	2	127-188	Link, Con. #60 Lambda
18	20	112-181	HHCS 7/16-20 x 1.75 Gr5 Zn	55	4	810-28	Sprocket, Double - 24T
19	5x8	112-183	Stud, Wheel 7/16-20 x 1.5	56	2	606-43	Slide, Chain - 2-3/4"
20	4	810-92	Axle Asm - Front/Rear HD	57	8	606-89	Carrier, Axle Bearing
21	4	810-113	Axle Asm - Mid HD	58	4	107-10	Retaining Ring SH-0125-PA
22	2	810-59	Shaft, Idler - 11T	59	2	642-47	Tie Down Bracket
23	2	606-72	Sprocket, Idler S60 x 21T	60	1	613-127	Magnet, Speedometer
24	8	606-34	Sprocket, S60 x 19T	61	14	108-42	Washer .21x1.0x.06 Zn
25	10	112-03	SHSS 5/16-18 x 3/8 1/2 DOG, PL	62	14	117-10	Locknut, 10-24 N/I Zn
26	2	803-62	Chain, RC60-1 x 34P Idler-Lambda	63	14	112-07	RHMS 10-24x1.50 Zn
27	4	112-60	SHSS 1/4-28 x 1/2 Cup Pt.	64	4	108-12	Washer .34x1.00x.06 Zn
28	8	112-31	HHCS 3/8-16 x 1.0 2B Gr8 Zn	65	4	103-06	HHCS 5/16-18x1.0 Gr5 Zn
29	1	112-163	HHCS 3/8-16 x 2.0 Gr5 Zn	66	4	108-05	Lockwasher 5/16 Split-Ring Zn
30	4	112-61	C/Bolt 3/8-16 x 1.25 Gr5 Zn	67	4	108-08	Washer .28x.62x.07 Zn
31		127-80	Link, Half - RC60 - 1 (opt.)	68	4	112-215	C/Bolt 1/4-20 x 1.5 Gr2 Zn
32	2	803-55	Chain, RC50-2 x 46P-Front (incl. Ref. 40)	69	6	117-27	Locknut, Nylon 1/4-20 Zn
33	2	803-56	Chain, RC50-2 x 74P-Mid (incl. Ref. 40)	70	2	112-214	HHCS 1/4-20 x 2 Gr5 Zn
34	4	803-57	Chain, RC60-1 x 90P-Rear (incl. Ref. 41)				
35	5x8	117-35	Nut, Wheel 7/16-20 Zn				
36	8	125-26	Valve, Tire				
37	8	127-61BL	Rim - 10 x 9 - Black				

10.0 Fuel System & Seat Assembly Avenger EU Parts Manual

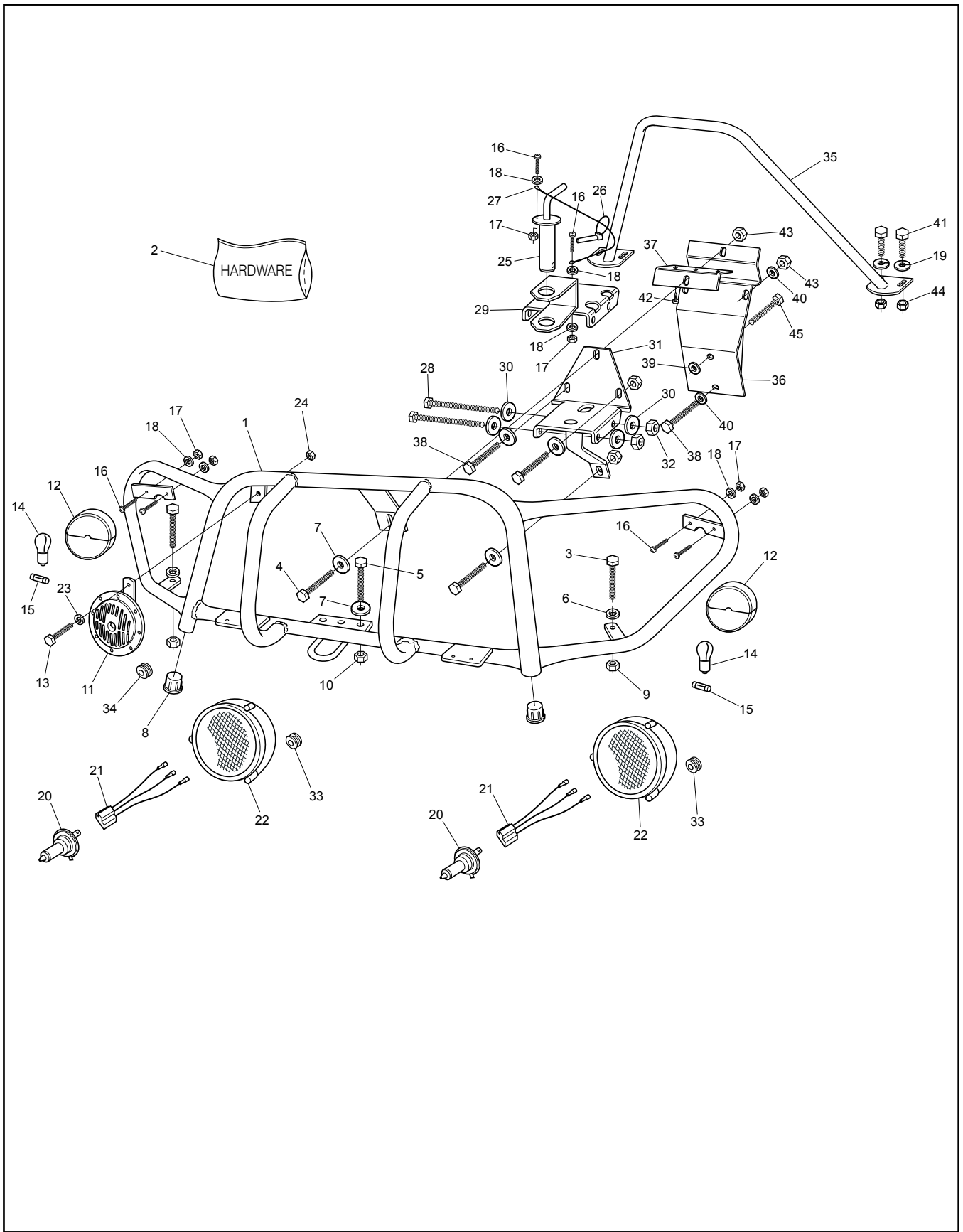


Avenger EU Parts Manual 10.0 Fuel System & Seat Assembly

Ref.	Qty.	Part #	Description	Ref.	Qty.	Part #	Description
1	8	108-03	Lockwasher 1/4 Split Ring Zn	45	1	808-133	Reducer, 5/16" to 1/4" Barbed
2	1	608-135	Frame Assembly, Susp. Seat	46	2	112-78	Clamp, Hose, 9/16
3	4	112-04	HHCS 1/4-20x3/4 Gr2 Zn	47	2"	608-69RM	Hose, Fuel - 5/16" ID Carb
4	1	127-205	Cover, Battery - Euro	48	1	608-127	Pick-up, Fuel, 5/16 105 Mesh
5	1	608-140	Fuel, Fill Neck Assembly	49	1	608-66	Hose, Fuel 1/4" ID, 80"
6	2	608-115	Handrail, Suspension Seat				
7	2	608-100	Seat, Suspension				
8	1	608-122	Tank, Fuel - Single Layer				
9	1	608-112	Hinge, Susp. Seat Left				
10	1	608-111	Hinge, Susp. Seat Right				
11	1	608-118	Toolbox, Suspension Seat				
12	1	127-54	See Section 11.0 Electrical System				
13	8	103-08	HHCS 1/4-20x1.0 Zn				
14	8	108-08	Washer .28x.62x.07 Zn				
15	8	117-27	Locknut, Nylon 1/4-20 Zn				
16	1	608-105	Frame Ass'y, Susp. Seat Base				
17	1	806-243	Frame Ass'y, Toolbox Support				
18	1	608-56	Strap, Battery				
19	20	120-09	Rivet 3/16x1 - Black				
20	4	112-79	Clamp, Hose, 1/2" - Red				
21	1	627-03	Quik Pin 0269167				
22	9	120-04	Washer .19 x .50 x .08 Zn				
23	2	100-12	Clamp, Gear 2.25" HF-36				
24	1	125-94	Hose, Filler				
25	10	112-07	RHMS 10-24 x 1.50 Zn				
26	1	126-100	Fuel Cap, Tethered				
27	1	126-60	Vinyl Strip 1/2" x 1/4"				
28	6'	127-160RM	Tubing, 1/4 ID Clear Plastic				
29	1	609-47	Valve, Rollover				
30	10	108-42	Washer .21 x 1.0x.06 Zn				
31	14	117-10	Locknut, Nylon #10-24 Zn				
32	1	609-50	Clamp, Rollover Valve				
33	7	126-93	Clamp, Nylon Wire - 1/2" ID				
34	2	126-102	Bumper, Recessed Hole				
35	1	608-136	Grommet, Fuel Return				
36	2	126-101RM	Hose, Vent 3/16" ID				
37	2	127-222	Label, Warning - Pinch Point				
38	2	117-64	Insert, 1/4-20 Steel Cad Pltg.				
39	4	120-13	Rivet, 3/16 x 3/4 Black				
40	1	608-137	Plug, Push-In				
42	4	112-20	HHCS M8x1,25x25mm Zn				
43	4	108-05	Lockwasher 5/16 Split-Ring Zn				
44	2	103-97	HHCS 1/4-20x1.25 Gr5 Zn				

11.0 Brushguard

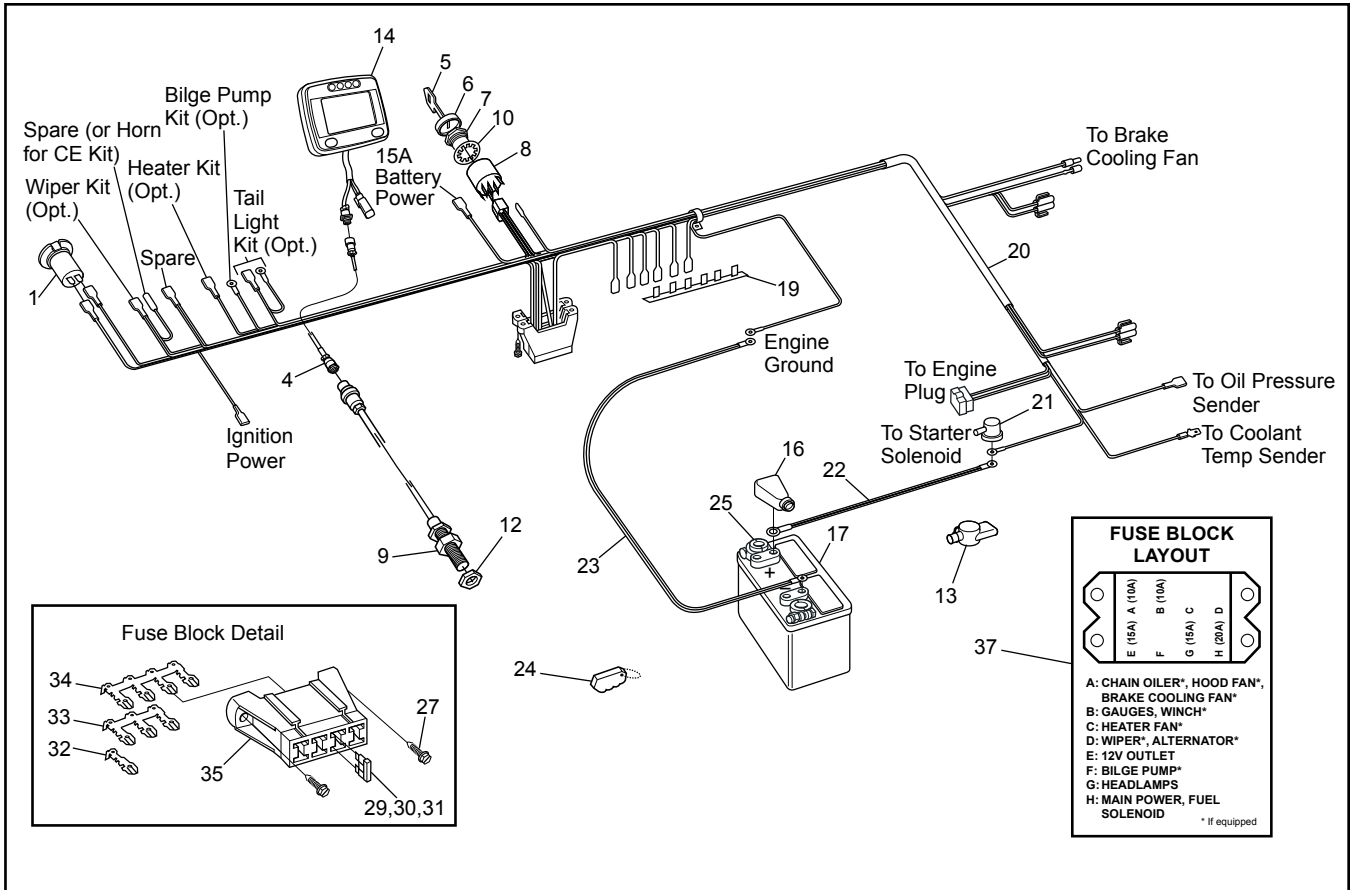
Avenger EU Parts Manual



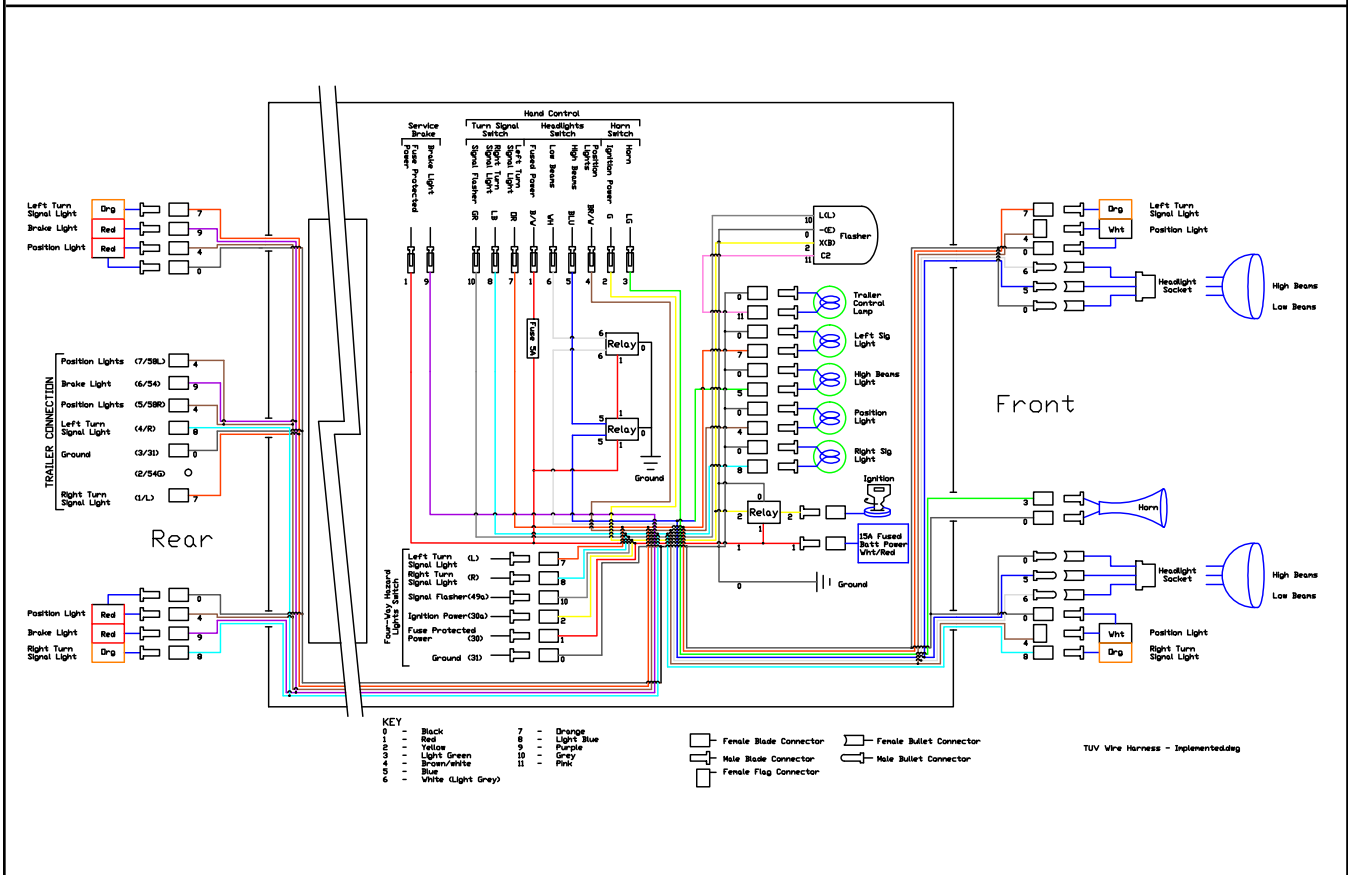
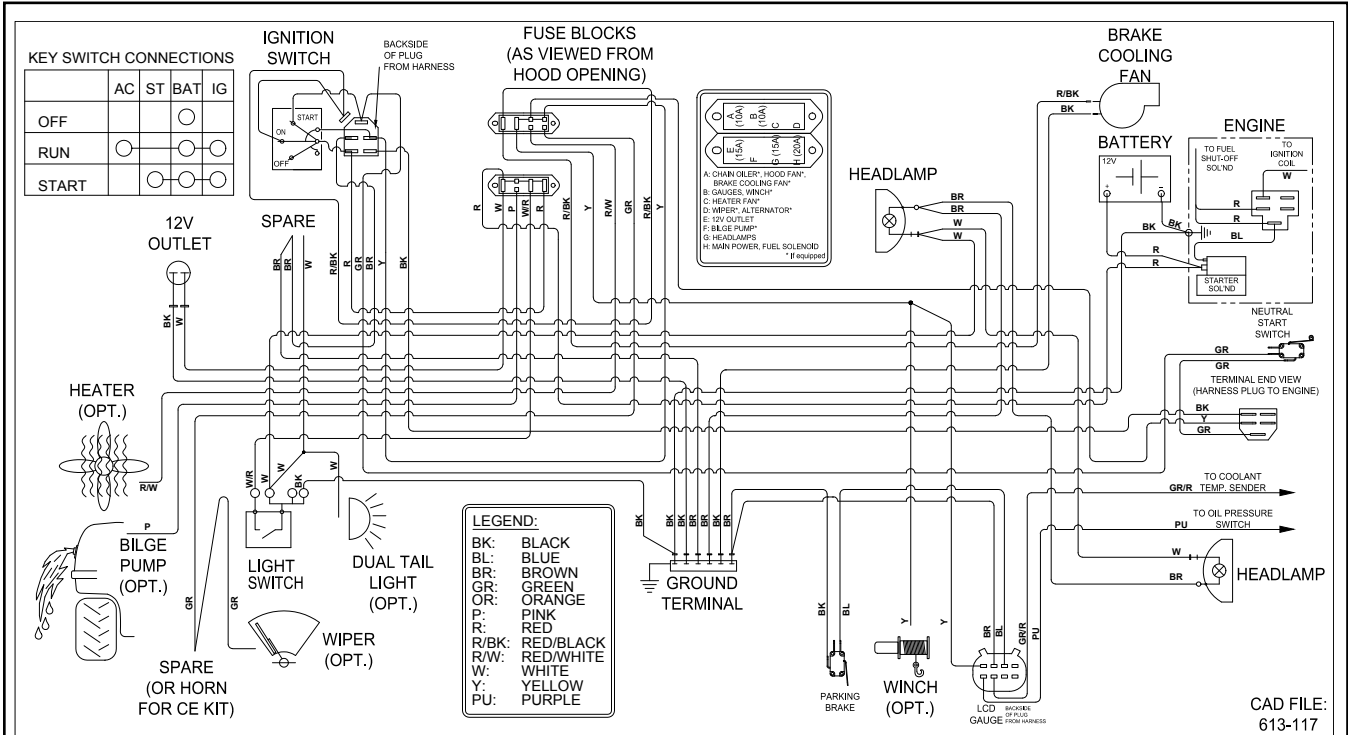
Ref.	Qty.	Part #	Description
1	1	642-61	Brush Guard, Hella Light Acc.
2	1	642-20HDW	Hardware Kit comprised of:
3	2	103-57	HHCS 5/16-18 x 1.5 Gr5 Zn
4	1	103-76	HHCS 3/8-16 x 1.75 Gr5 Zn
5	3	103-82	HHCS 3/8-16 x 1.5 Gr5 Zn
6	2	108-12	Washer .34 x 1.00 x .06 Zn
7	7	108-18	Washer .40 x 1.37 x .12 Zn
8	2	113-13	Plug, 1-1/4" Tube- Avg Brush Guard
9	2	117-21	Locknut, Nylon 5/16-18 Zn
10	4	117-29	Locknut, Nylon 3/8-16 Zn
11	1	613-144	Horn, Hella
12	2	613-142	Turn Signal and Marker, Hella
13	1	103-06	HHCS 5/16-18x1.0 Gr5 Zn
14	2	613-169	Bulb, EU Tail, Turn Signal
15	2	613-170	Bulb, EU Fr Marker
16	7	103-25	PHMS 10-24x3/4 Zn
17	6	117-10	Locknut, 10-24 N/I Zn
18	4	120-05	Washer .19x.50x.04 Zn
19	5	108-05	Lockwasher 5/16 Split-Ring Zn
20	2	613-168	Bulb, EU Headlight
21	2	613-172	Socket, EU Headlight
22	2	613-141	Headlight High Low, M133 Hella
23	1	108-25	Washer .31x.75x.06 Zn
24	1	117-21	Locknut, Nylon 5/16-18 Zn
25	1	622-124	Pin Ass'y, Front Hitch EU
26	1	104-11	Pin, Lynch - Ring
27	1	622-125	Lanyard, Front Hitch EU
28	2	112-91	HHCS M10x1,5x150mm Zn
29	1	622-120	Front Hitch, Ass'y EU
30	4	108-23	Washer .42x.81x.06 Gr8 Zn Di-C
31	1	622-112	Receiver Ass'y, Front Winch
32	2	117-60	Locknut, Nyloc M10x1.5mm Zn 8
33	2	127-132	Grommet, Rubber - 1/2" ID
34	1	125-84	Grommet, Rubber
35	1	622-81	Hoop Ass'y, Winch - Avenger
36	1	622-83	Bracket, Body Support - Winch
37	1	622-99	Hoodframe Support Bracket, Winch
38	4	103-82	HHCS 3/8-16 x 1.5 Gr5 Zn
39	1	108-18	Washer .40x1.37x.12 Zn
40	9	108-47	Washer .39x.94x.13 Zn Di-Chro
41	4	112-01	HHCS 5/16-18x3/4 Gr5 Zn
42	3	112-102	Screw, Self Drill 12-14x3/4"
43	5	117-29	Locknut, Nylon 3/8-16 Zn
44	4	117-03	Nut, Fin Hex 5/16-18 Zn
45	1	103-17	HHCS 3/8-16 x 1.0 Gr5 Zn

12.0 Electrical System

Avenger EU Parts Manual



Ref.	Qty.	Part #	Description	Ref.	Qty.	Part #	Description
1	1	613-90	Outlet, 12 Volt DC	27	2	112-51	Screw, IHWH T/C #10-24 x 5/8
4	1	613-128	Cable, Extension, Speedo Pickup	29	1	118-52	Fuse, 10A 2 Prong (AT010)
5	2	127-108	Key, Molded	30	4	118-49	Fuse, 15A 2 Prong (AT015)
6	1	127-107	Bezel - Cover, Nut	31	1	118-53	Fuse, 20A 2 Prong (AT020)
7	1	127-106	Nut, Flanged - Plastic	32	9	118-62	Terminal - Fuse, single
8	1	127-105	Switch - Ignition	33	1	118-63	Terminal - Fuse, triple
9	1	613-126	Sensor, Speedo Pickup	34	1	118-61	Terminal - Fuse, quad
10	1	114-26	Lockwasher, 5/8 Int. Tooth	35	2	118-60	Block - Fuse, 8 position (4 fuse)
12	1	117-87	Nut, M12 x 1.25, Zn	37	1	127-298	Label, Fuse Panel - Argo
13	1	613-124	Insulator, 2 Way w/cap, Red				
14	1	613-130	Gauge, LCD				
16	1	127-55	Cap, Battery Terminal - Red				
17	1	127-54	Battery, Exide 45-60				
	1	613-161	Battery, Optima - Argo (Opt.)				
19	2	613-37	Terminal Strip, Ground				
20	1	613-117	Wire Harness, Kohler 26HP				
21	1	613-46	Insulator, Terminal (2 ga.)				
22	1	613-94	Wire, Positive Battery				
23	1	613-95	Wire, Negative Battery				
24	1	681-00	FOB, Key - Floating				
25	2	127-56	Terminal, Battery Post				



ARGO Products Manufactured by:

Ontario Drive & Gear Limited

220 Bergey Court

New Hamburg, Ontario

Canada N3A 2J5

Phone: (519) 662-2840

Fax: (519) 662-2421

www.argoatv.com

ODG *Dedicated to quality and performance*