

Argo 8x8
Frontier EFI



Argo 8x8
Frontier EFI
PARTS MANUAL

From Serial # ...36466

Foreword

ODG has prepared this parts manual for the 8x8 FRONTIER model to assist both qualified mechanics and vehicle owners in ordering correct, quality replacement ARGO parts. For the most current parts manual visit our website at www.argoatv.com.

Proper and regular service, and replacing old, worn or broken parts with the correct ARGO replacement parts, are both essential to prolonging the life of the ARGO. Please refer to this parts manual and/or our website www.argoatv.com before ordering any replacement part.

All information contained in this 8x8 FRONTIER Parts Manual is based on the latest product specification available at time of printing. If your 8x8 FRONTIER differs from the specifications contained in this manual, check our website www.argoatv.com for the most current information.

ODG reserves the right to alter specifications on the 8x8 FRONTIER model at any time, without obligation or prior notification.

Reproduction of this 8x8 FRONTIER Parts Manual, in whole or in part, is prohibited without prior written permission from Ontario Drive & Gear Limited.

Vehicle Identification

8x8 FRONTIER - Serial Nos.36466

Explanation of Parts Manual Format

Ref	- Reference number between assembly diagram and component parts list
Part No.	- Argo replacement part number for identification and re-ordering
Description	- Part description for identification and re-ordering
Qty	- Indicates the quantity of a part used in an assembly

Argo 8x8 Frontier EFI

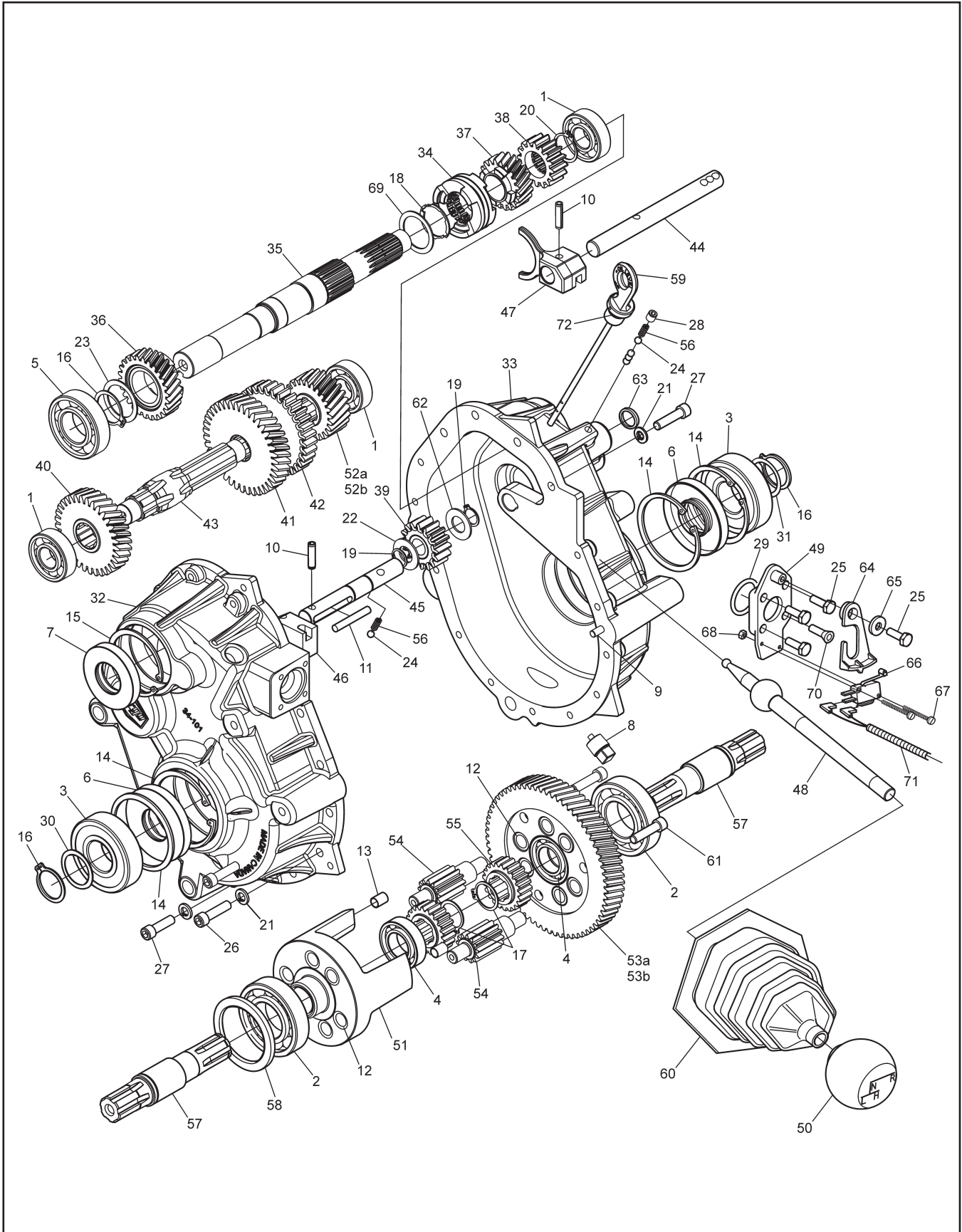


Using the Parts Manual

1. Find the major vehicle assembly in the Table of Contents on this page, and turn to that section.
2. Locate the part in the illustration that you wish to order.
3. Refer to the parts list in that section.
4. Find the correct part number (Part No.), part description (Description) and correct quantity (Qty).
5. Use *only* this information to order ARGO replacement parts. *DO NOT* attempt to order a replacement part by reference number or page number.

Table of Contents

Foreword	i
Vehicle Identification.....	i
Using the Parts Manual	ii
1.0 Transmission	1
2.0 Intake and Exhaust System.....	3
3.0 Clutch System	5
4.0 Power Pack Assembly	7
5.0 Steering & Brake System	9
6.0 Parking Brake	11
7.0 Vehicle Body & Firewall.....	13
8.0 Frame & Drive System	15
9.0 Fuel System & Seat Assembly	17
10.0 Electrical System.....	19
11.0 Scout Option.....	21
12.0 Bead Lock Wheel Option.....	23

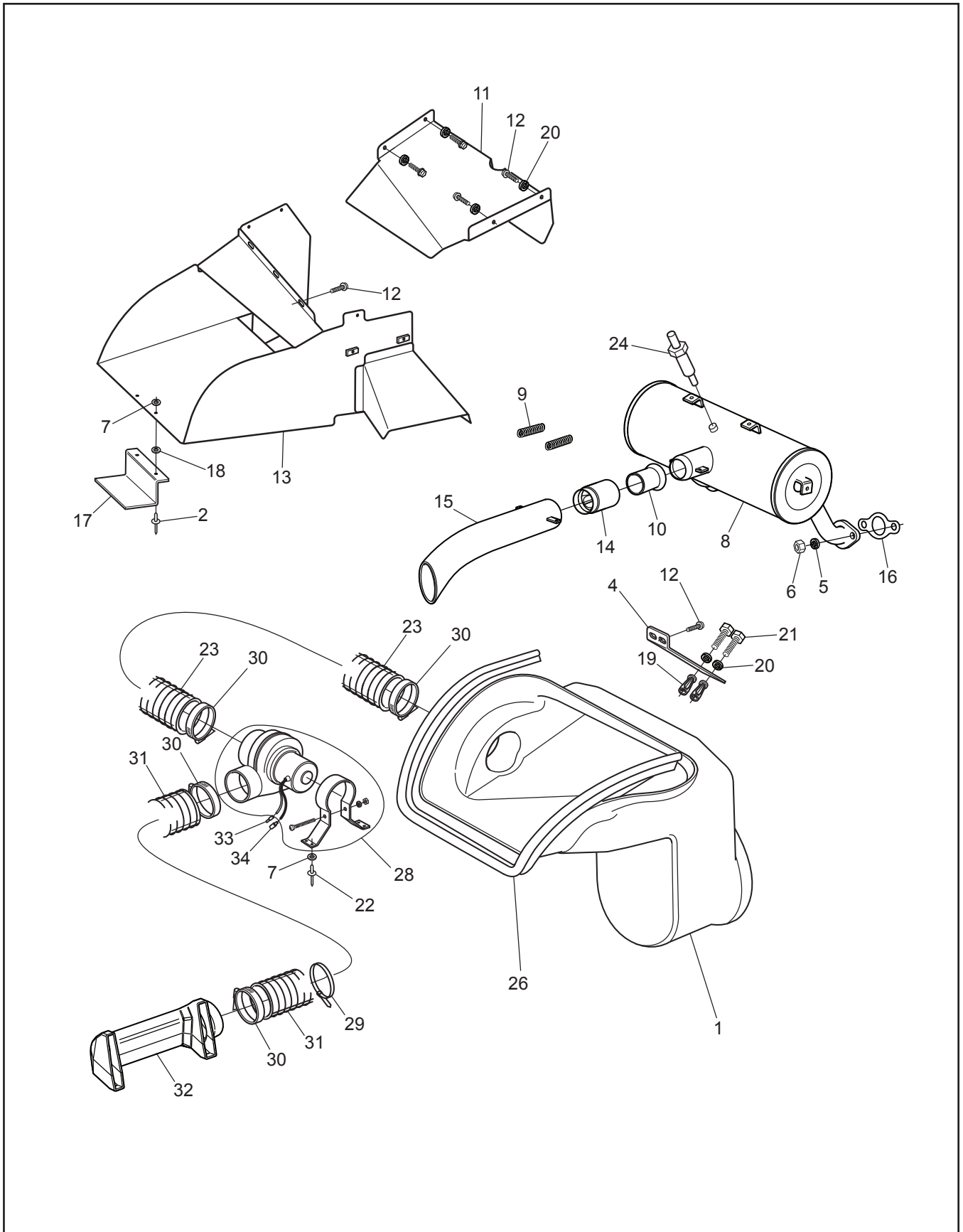


8x8 Frontier EFI Parts Manual

1.0 Transmission

Ref.	Qty.	Part #	Description	Ref.	Qty.	Part #	Description
	1	34-100	Transmission Assembly	40	1	34-109	Gear, Helical - HI 12DP 33T
	1	34-100-3.3	Transmission Assembly	41	1	34-110	Gear, Helical - LOW 12DP 39T
1	3	101-01	Bearing, Ball 6204Z-C3	42	1	34-111	Gear, Reverse - 10DP 33T
2	2	101-03	Bearing, Ball 6207-C3	43	1	34-112	Shaft, Spline
3	2	101-05	Bearing, Ball 6306LLU-C3/2A	44	1	34-113	Shaft, Shift - Forward
4	2	101-15	Bearing, Ball 6005-C3	45	1	34-114	Shaft, Shift - Reverse
5	1	101-16	Bearing, Ball 6206-C3	46	1	34-115	Block, Shift
6	2	102-03	Seal,Oil WBS 30x72x10 NB D/LIP	47	1	34-116	Fork, Shift
7	1	102-05	Seal,Oil WBS 30x62x10 NB D/LIP	48	1	34-117	Lever, Shift
8	1	103-02	Plug, Magnetic 3/8-18NPT SQ.HD	49	1	34-131	Plate, Shifter
9	2	104-03	Pin, Dowel 1/4x7/8	50	1	34-121	Knob, Shift - w/Argo Logo
10	2	104-39	Pin, Spring - 1/4 x 1.0	51	1	34-122	Cage, Differential
11	1	104-40	Pin, Dowel - 1/4 x 1.75	52a	1	34-123	Pinion, Helical - 25T - 2.6
12	12	105-03	Bushing, Oilite - 1/2x3/4	52b	1	34-125	Pinion, Helical - 21T - 3.3
13	3	105-23	Bushing, Dowel - .312 x .5	53a	1	34-124	Gear Plate - 66T - 2.6
14	4	106-03	Retaining Ring HO-281PA	53b	1	34-126	Gear Plate - 70T - 3.3
15	1	106-05	Retaining Ring HO-244-PA	54	6	34-13	Gear, Planet - 12T
16	3	107-02	Retaining Ring SH-0118-PA	55	2	34-14	Gear, Sun - 21T
17	2	107-04	Retaining Ring SH-0098-PA	56	2	34-32	Spring, Comp. 0.22x.50
18	1	107-14	Retaining Ring LC-125-PA	57	2	34-98	Shaft, Output - Splined
19	2	107-11	Retaining Ring	58	1	114-01	Washer, Shim 2.25 x 2.81 x .02
20	1	107-15	Retaining Ring SHR-098-PA	59	1	CE-035	Dipstick - with Breather - 190mm
21	15	108-05	Lockwasher 5/16 Split Ring Zn	60	1	609-38	Boot, Shifter
22	1	108-78	Washer, Thrust	61	3	112-64	SHCS, 5/16-18 x 1.25
23	1	108-79	Washer, Thrust	62	1	108-88	Washer, Retaining Thrust
24	5	109-05	Ball, Steel 6mm 62-67 Rc	63	1	113-16	O-Ring #AS568-014-70BN 5/8"OD x 1/2"ID x 1/16" Thk
25	4	112-04	HHCS 1/4-20x3/4 Gr2 Zn	64	1	34-132	Follower, Neutral Start
26	14	112-143	SHCS 5/16 x 1.25 Zn	65	1	108-08	Washer, .28 x .62 x .07 Zn
27	1	112-144	SHCS 5/16 x 1.0 Zn	66	1	809-202	Switch, Limit - Two Pole
28	1	112-145	SHSS 5/16 - 18 X 3/8	67	2	112-172/PI	SHMS, #5-40x3/4 Zn
29	1	113-11	O-Ring #AS568-216-70BN	68	2	112-173/PI	Locknut, #5-40 Zn
30	1	114-04	Washer, Shim 1.19x1.50x.04	69	1	108-85	Washer, Retaining Thrust
31	1	114-05	Washer, Shim 1.19x1.50x.02	70	1	112-171	FHSC 1/4-20 x 3/4 Gr2 Zn
32	1	34-101	Housing, Transmission - L	71	1	613-112	Wire Harness, Neutral Start
33	1	34-102	Housing, Transmission - R	72	1	161-28	O-Ring, 3mm CS x 12mm ID
34	1	34-127	Clutch, Dog				
35	1	34-130	Shaft, Input - 19/15T Spline				
36	1	34-128	Pinion, Helical - HI 12DP 26T				
37	1	34-129	Pinion, Helical - LO 12DP 20T				
38	1	34-107	Pinion, Reverse - 10DP 16T				
39	1	34-108	Gear, Idler - Rev - 10DP 16T				

2.0 Intake and Exhaust System 8x8 Frontier EFI Parts Manual

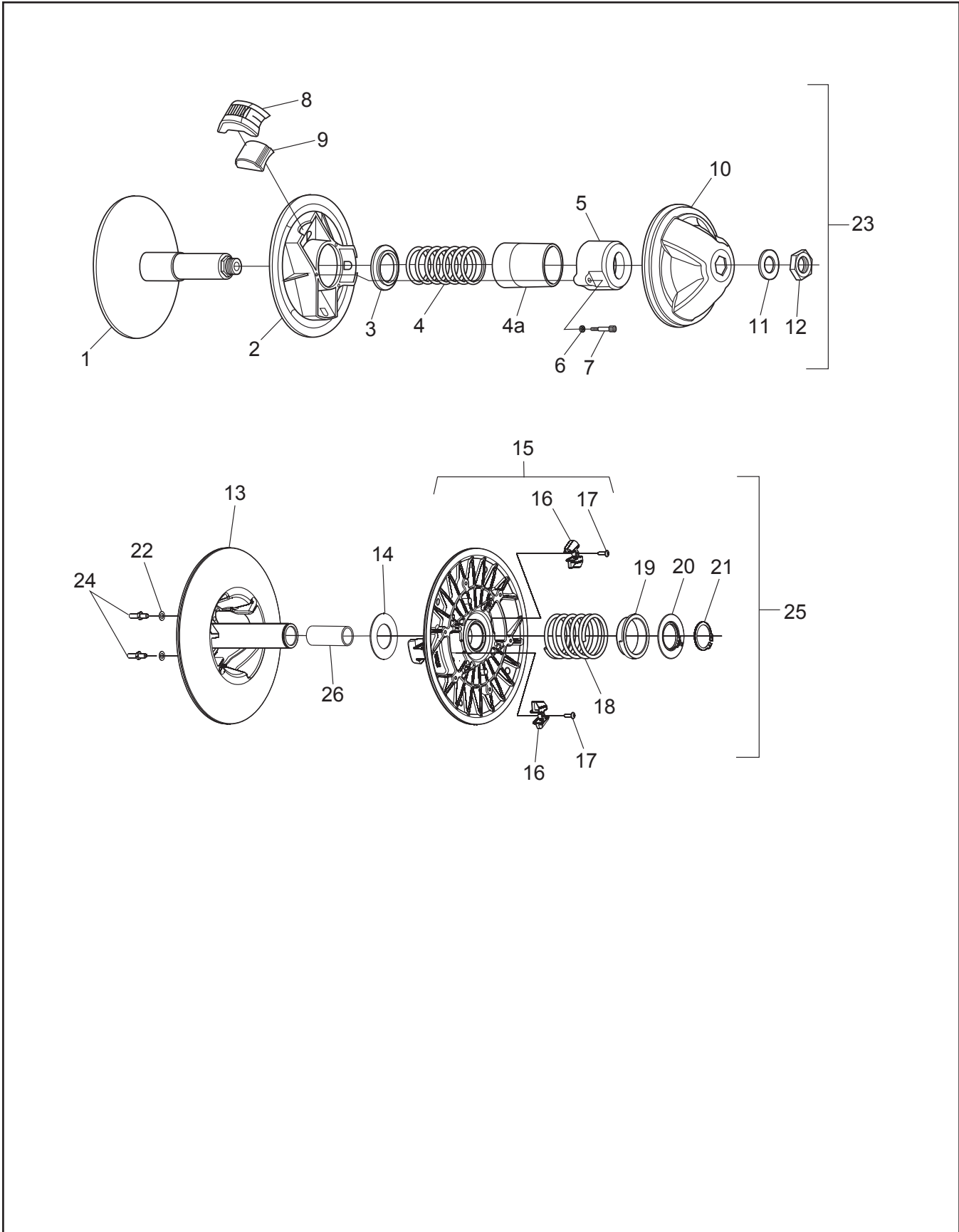


8x8 Frontier EFI Parts Manual 2.0 Intake and Exhaust System

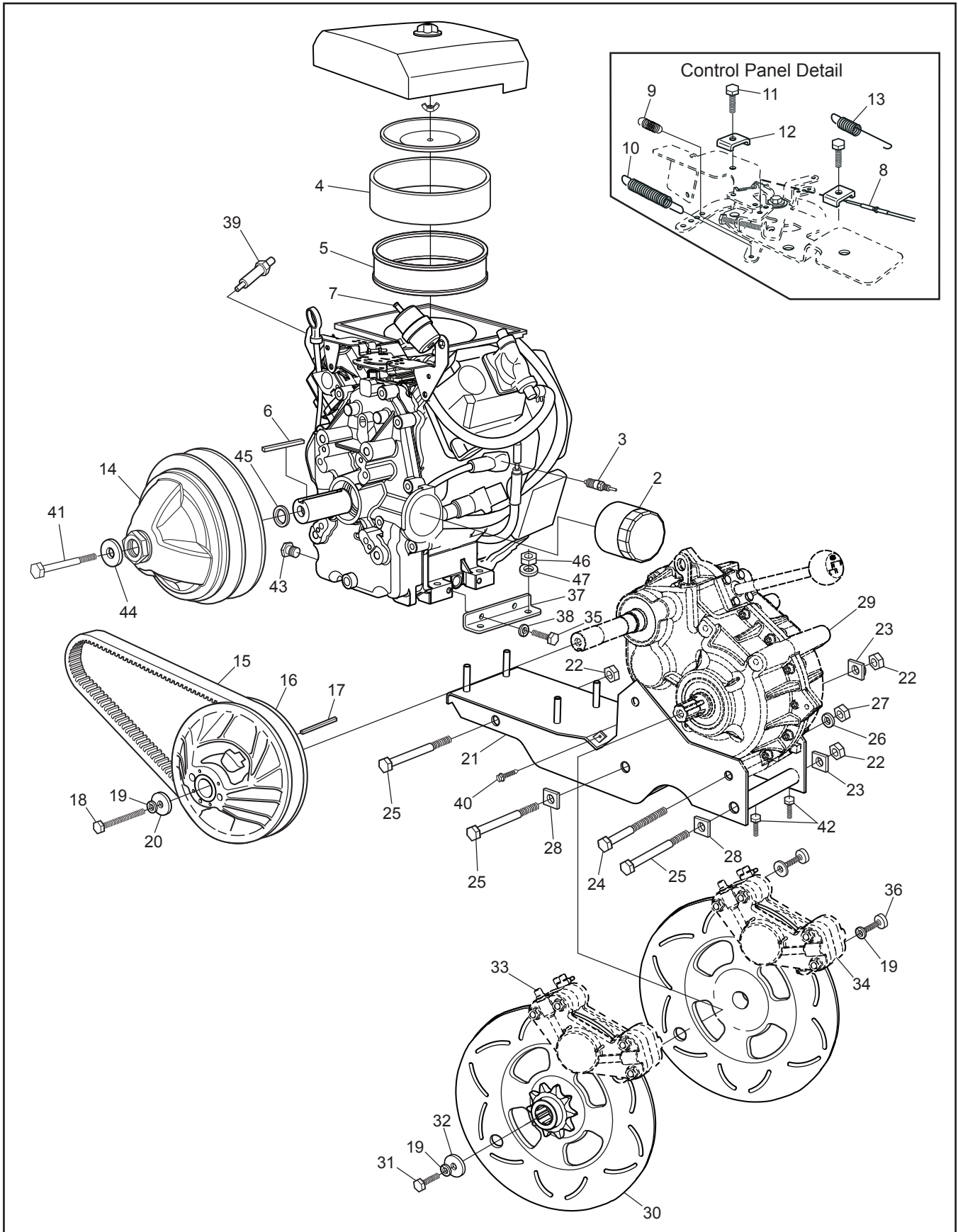
Ref.	Qty.	Part #	Description
1	1	809-15	Duct, Intake - Frontier
2	2	120-31	Rivet, 3/16 x 1/4". Open End
4	1	707-55	Bracket, Intake Duct - Frontier EFI
5	4	108-02	Lockwasher 5/16 Hi-Collar Bare
6	4	117-73	Nut M8x1,25 Zn
7	4	120-04	Washer, .19 x .50 x .08 Zn
8	1	607-121	Muffler Ass'y, Avenger EFI
9	2	127-187	Spring, Extension - 17/32 x 3.75
10	1	607-135	Tube, Muffler, Flared x 2.0
11	1	607-210	Shield, Heat, Frontier EFI
12	9	112-19	Screw, IHWH T/C Slot 1/4-20 x 1/2
13	1	607-164	Duct, Exhaust - Frontier
14	1	607-126	Spark Arrester, 1.75 Dia.
15	1	607-134	Pipe, Tail Asy
16	2	24 041 49	Gasket, Exhaust Manifold
17	1	707-45	Support, Exhaust Duct
18	2	125-58	Washer, Fibre - W-77F
19	2	117-53	Nut, Jack 1/4-20 8L-JNS Zn
20	6	108-03	Lockwasher 1/4 Split Ring Zn
21	2	103-97	HHCS 1/4-20 x 1.25 Gr5 Zn
22	4	120-09	Rivet, 3/16 x 1.0 Black
23	1	127-140	Hose, Brake Fan Inlet
24	1		See Section 4.0 Power Pack Assembly
26	1	807-77-86	Seal, Radiator, 86"
28	1	127-184	Blower Fan
29	1	100-102	Tie Wrap, 14" - White
30	4	125-35	Clamp, Gear 3.50" HF-52
31	1	127-139	Hose, Brake Fan Discharge
32	1	127-134	Duct, Brake Cooling
33	1	118-02	Terminal, Male #76-1251
34	1	118-03	Terminal, Female #76-1289

3.0 Clutch System

8x8 Frontier EFI Parts Manual



Ref.	Qty.	Part #	Description
1	1	0405-0138	Flange, Fixed
2	1	0410-0033	Flange, Sliding
3	1	0150-1014	Spring Guide Washer
4	1	1151-1114	Spring
4a	1	0450-3002	Guide, Spring
5	1	0440-0005	Spring Cover
6	3	0080-0167	Lockwasher
7	3	0080-0021	Screw, Cap
8	3	0130-3012	Block
9	3	0135-3065	Weight (275gr)
	1	127-208	Weight Set (3), 185g - High Elevation (See Bulletin NP #5)
	1	127-209	Weight Set (3), 220g - High Elevation (See Bulletin NP #5)
	1	127-210	Weight Set (3), 240g - High Elevation (See Bulletin NP #5)
	3	0135-3061	Weight (230gr) - Scout Trim Package
10	1	0115-2061	Cap
11	1	0080-0804	Washer, Zn
12	1	V16J1	Nut
13	1	5905-0003	Flange, Fixed
14	1	0080-0164	Washer, Shim
15	1	5910-0002	Flange, Sliding
16	2	5930-3001	Cam Shoe
17	2	0080-0031	Screw
18	1	5951-1009	Spring
19	1	5950-3003	Spring Protector
20	1	5950-3002	Spring Support
21	1	0080-0216	Retaining Ring, Outside
22	2	0080-0167	Lockwasher
23	1	610-126	Clutch, Driver - 650
	1	610-128	Clutch, Driver - Scout Trim Package
24	2	0080-0035	Screw & Nut Ass'y
25	1	127-156	Clutch, Driven - INVANCE
26	1	5940-2001	Keyway Stopper

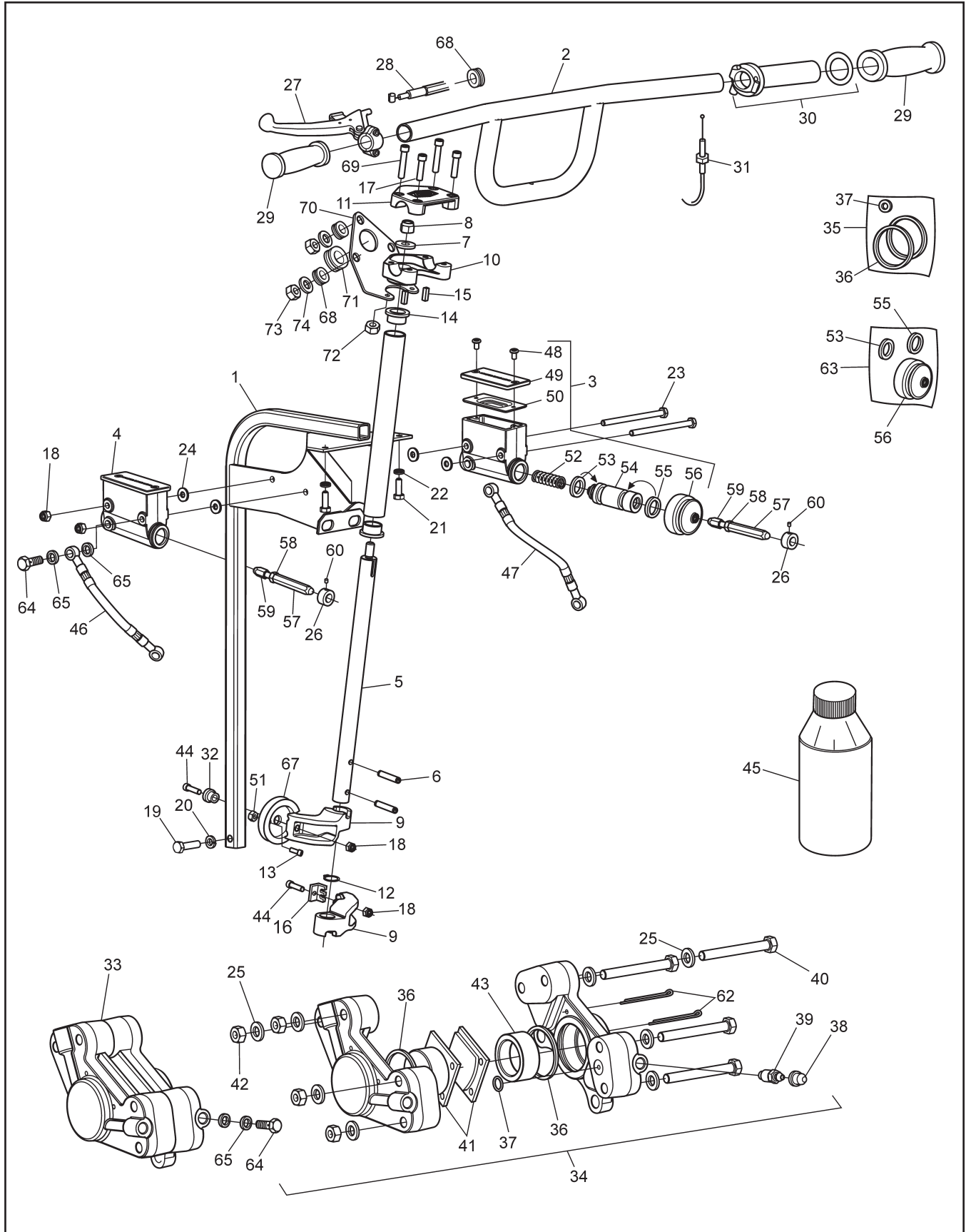


8x8 Frontier EFI Parts Manual

4.0 Power Pack Assembly

Ref.	Qty.	Part #	Description	Ref.	Qty.	Part #	Description
1	1	ECH730	Engine, Kohler 23HP EFI	33			See Section 5.0 Steering & Brake System
	1	ECH749	Engine, Kohler 26HP EFI	34			See Section 5.0 Steering & Brake System
2	1	12 050 01	Filter, Oil - Kohler				
3	2	25 132 12	Sparkplug 3071				
4	1	24 083 05	Prefilter, Air ECH730	35	2	112-20	HHCS M8x1,25x25mm Zn
5	1	24 083 03	Filter, Air ECH730	36	4	103-41	SHCS 3/8-16 x 1.25 Zn
6	1	110-18	Key 1/4 x 1/4 x 1.75 RC45	37	1	610-134	Brkt, Powerpack - Side Mnt
7	1	25 050 42	Filter, Fuel	38	2	108-05	Lockwasher 5/16 Split-Ring Zn
8	1	612-101	Cable Asm, Throttle- FRN/AVG				
9	1	24 089 51	Spring, Throttle	39	1	25 418 07	Sensor, Oxygen 4 Wire
10	1	24 089 46	Spring, Governor	40	2	103-71	Screw, IHWH T/C 1/4-20 x 1.25
11	1	M-545016	Screw				
12	1	12 237 01	Clamp, Cable	41	1	112-160	HHCS, 7/16-20 x 5" Lg
13	1	127-49	Spring, Extension - .375 x 2.55	42	2	103-53	HHCS 3/8-16 x 3.0 Full Thread
14			See Section 3.0 Clutch System	43	1	112-156	Plug, Oil Drain 3/8-18NPT Hex
15	1	127-159	Drive Belt - Frontier - 11.3" Cen. Dist	44	1	108-58	Washer .47 x 1.37 x .12 Hi-Carbon
	1	127-159HD	Drive Belt -Frontier -Heavy Duty (Opt.)	45	1	108-84	Washer, Engine, Clutch
16			See Section 3.0 Clutch System	46	4	117-118	Locknut, Nylon 3/8-16 Flanged
17	1	110-03	Key 1/4 x 3/16 x 2.375 RC46	47	4	108-26	Washer .43 x 1.02 x .09 Zn
18	1	112-164	HHCS 3/8-16 x 3.50 Gr5 Zn				
19	7	108-06	Lockwasher 3/8 Split Ring Zn				
20	1	108-46	Washer .40 x 1.37 x 1.2 Hi-Carbon				
21	1	610-131	Frame, Power Pack FR EFI				
22	3	117-83	Locknut, Stover 5/8-11 Zn				
23	2	811-09	Washer, Square - .64 ID				
24	2	103-20	HHCS 1/2-13 x 6.5 Gr5 Zn				
25	3	112-58	HHCS 5/8-11 x 7.5 Gr5 Zn				
26	2	108-107	Lockwasher 1/2" High Alloy				
27	2	117-06	Nut, Fin Hex 1/2-13 Zn				
28	2	811-15	Washer, Square Lock .64 ID				
29			See Section 1.0 Transmission				
30	2	606-74	Disc, Brake-Splined #60-10T				
31	2	103-18	HHCS 3/8-24 x 1.25 Gr5 Zn				
32	2	108-18	Washer .40 x 1.37 x .12 Zn				

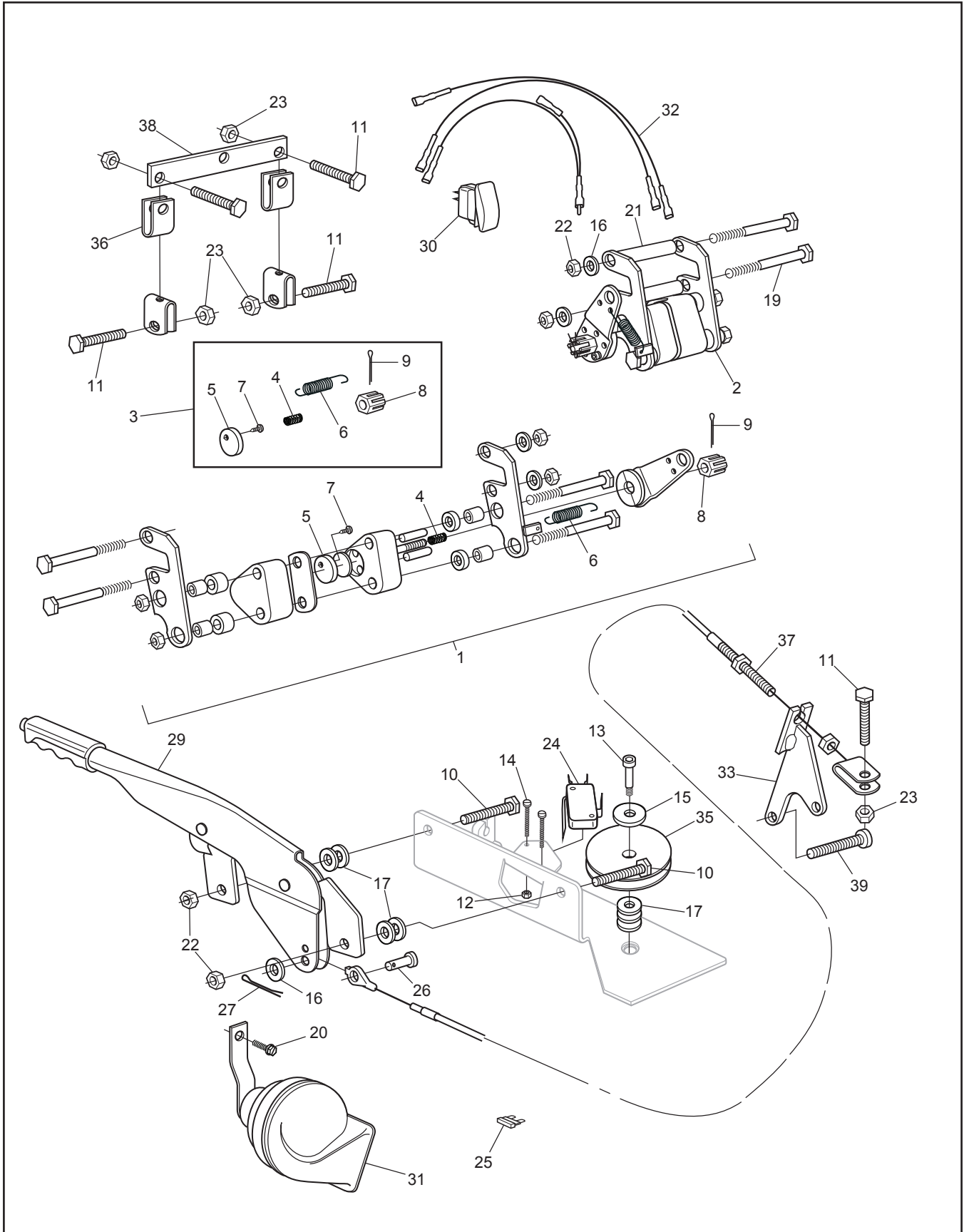
5.0 Steering & Brake System 8x8 Frontier EFI Parts Manual



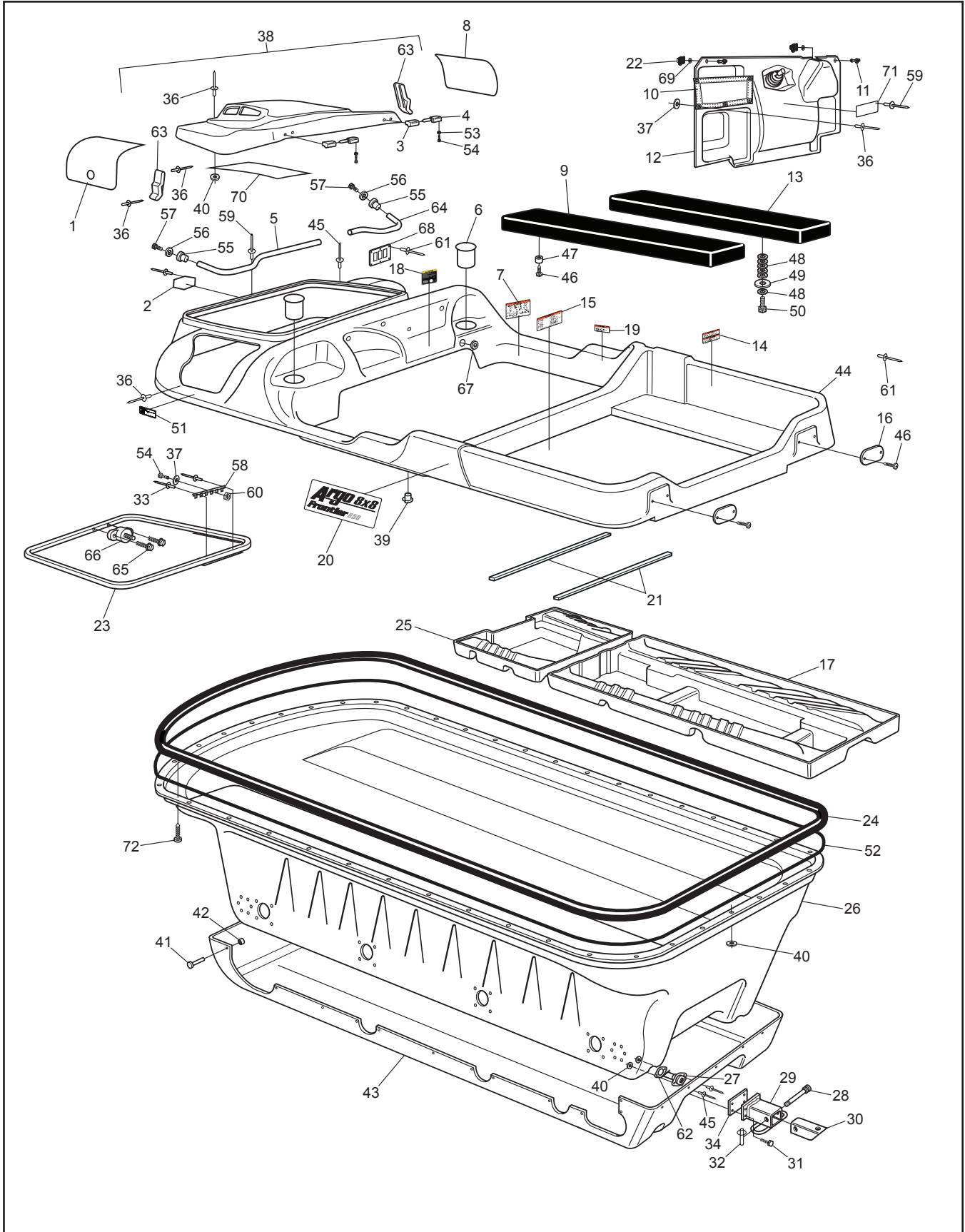
Ref.	Qty.	Part #	Description	Ref.	Qty.	Part #	Description
1	1	612-123	Frame Assembly, Steering Column	44	2	112-159	BHCS, 1/4-20 x 1.0, Plated
2	1	612-107	Handlebar Assembly	45		126-19	Fluid, Brake-Silicon Dot 5 - .35L
3	1	165-58	Master Cylinder, RH Wilwood	46	1	163-06	Hose Asm, Hydraulic - Right - SS
4	1	165-57	Master Cylinder, LH Wilwood	47	1	163-05	Hose Asm, Hydraulic - Left
5	1	612-128	Shaft, Steering - Avenger	48	2x2	160-42	Screw, FHMS M5 x 0,8 x 6mm
6	2	104-42	Pin, Spring 1/4 x 1.5"	49	2x1	168-08	Cover
7	1	108-47	Washer, .39 x .94 x .13 Zn Di-chr	50	2x1	168-09	Cover, Rubber
8	1	117-29	Locknut, Nylon 3/8-16 Zn	51	1	117-10	Locknut, 10-24 N/I Zn
9	2	612-124	Arm, Steering	52	2x1	162-08	Spring, Comp. 17.3 x 49.3mm
10	1	612-106	Clamp, Lower Handlebar	53	2x1		Seal, Primary, 19mm (See Ref. 63)
11	1	612-105	Clamp, Upper Handlebar	54	2x1	168-10	Piston 19mm dia.
12	1	106-07	Ring, Retaining SH-0075PA	55	2x1		Seal, Secondary, 19mm (See Ref. 63)
13	1	160-46	SHCS, #10-24 x 3/8"	56	2x1		Boot, Rubber (See Ref. 63)
14	2	105-16	Bushing, Oilite - 3/4 x 1/2	57	2	812-30	Pin, Female
15	2	110-17	Key, 3/16 x 3/16 x .625	58	2	117-03	Nut, Fin Hex 1/4-20 Zn
16	1	128-24	Retainer, Handbrake Cable	59	2	812-31	Fin, Male
17	2	112-47	SHCS, 1/4-20 x 1.0 Zn	60	2	112-02	SHSS 10-24x1/4 Knurl Cup PT, PL
18	4	117-27	Locknut, Nylon 1/4-20 Zn	62	2x2	168-07	Pin, Cotter 1/8 x 3.00 Zn
19	1	103-38	HHCS 5/16-18x1.25 Gr5 Zn	63	2x1	161-25	O-Ring Kit - Master Cylinder - Grimeca (incl. Ref. 53, 55 & 56)
20	1	108-05	Lockwasher, 5/16 Split-Ring Zn	64	4	160-44	Bolt, Banjo - M10 x 1,0 x 21,0
21	2	112-04	HHCS 1/4-20 x 3/4 Gr2 Zn	65	8	160-01	Washer, Copper - 1,5 x 10,0 x 14,0
22	2	108-03	Lockwasher 1/4 Split Ring Zn	67	1	165-18	Pulley, Handbrake Cable
23	2	103-66	HHCS, 1/4-20 x 4.0 Gr5 Zn	68	4	125-84	Grommet, Rubber
24	4	108-08	Washer, .28 x .62 x .04 Zn	69	2	103-69	SHCS 1/4-20 x 1.5 Zn
25	2x8	108-24	Washer, .34 x .70 x .06 Zn	70	1	612-132	Bracket, LCD Gauge - Painted
26	2	812-17	Collar	71	1	128-27	Grommet 1-1/4ID x 1-1/2x3/32
27	1	128-17	Lever Assembly, Handbrake, Spring	72	2	117-86	Nut, Acorn, 1/4-20 Zn
28	1	128-21	Cable Assembly, Handbrake	73	3	117-85	Nut, Acorn, M5 Zn
29	2	127-35	Grip, Molded	74	3	120-04	Washer .19 x .50 x.08 Zn
30	1	127-81	Throttle Twist Grip				
31	1	612-101	Cable Asm., Throttle - Frontier				
32	1	105-25	Bushing, Flange Oilite FF-310				
33	1	166-10	Caliper, Hydraulic Brake - L w/o pads				
34	1	166-11	Caliper, Hydraulic Brake - R w/o pads				
35	2	161-05	O-ring Kit, Knott Caliper				
36	4		Seal, Piston				
37	2		Seal, Rubber				
38	2x1	168-20	Plug, Rubber				
39	2x1	168-02	Screw, Bleeding, Knott Caliper				
40	2x4	103-55	HHCS, 5/16-18 x 2.75 Gr5 Zn				
41	1	170-03	Pad Set (4), Brake - Non-Asbestos				
42	2x4	117-03	Nut, Fin Hex 5/16-18 Zn				
43	2x2	168-01	Piston, Knott Caliper				

6.0 Parking Brake

8x8 Frontier EFI Parts Manual



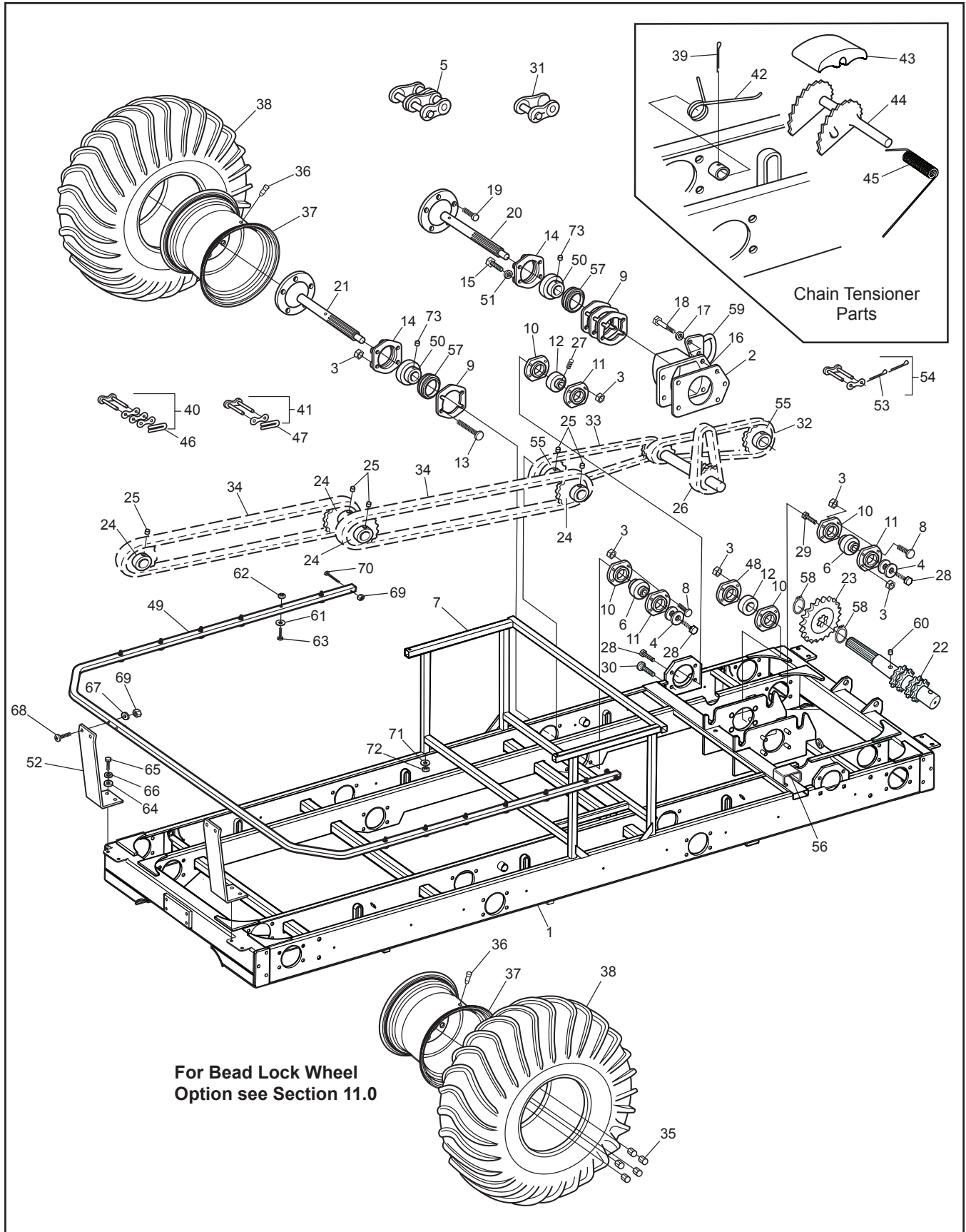
Ref.	Qty.	Part #	Description
1	1	850-96	Caliper Ass'y, LH, Parking Brake
2	1	850-97	Caliper Ass'y, RH, Parking Brake
3	1	850-98	Kit, Service, Parking Brake (includes Ref. 4 - 9, not sold separately)
4	1		Cam Tension Spring (compression)
5	1		Left & Right Brake Pads
6	1		Cam Arm Spring (tension)
7	1		Brake Pad Retaining Screw
8	1		Castle Nut
9	1		Cotter Pin
10	2	103-06	HHCS 5/16-18x1.0 Gr5 Zn
11	5	103-08	HHCS 1/4-20x1.0 Zn
12	2	112-173	Locknut, #5-40, Zn
13	1	112-178	Bolt, Shoulder, 1/2 x 5/8
14	2	112-172	SHCS 5-40 x 3/4 Zn
15	1	108-35	Washer .53 x 1.06 x .09 Zn
16	5	108-24	Washer .34x.70x.06 Zn
17	7	108-47	Washer .39x.94x.13 Zn Di-Chro
18	1	117-10	Locknut, 10-24 N/I Zn
19	4	112-132	HHCS 5/16-18 x 3.25 Gr5 Zn
20	1	112-19	Screw,IHWH T/C Slot 1/4-20x1/2*
21	2	105-43	Bushing .37x.03 Wall x 2.1 Lng
22	6	117-21	Locknut, Nylon 5/16-18 Zn
23	5	117-27	Locknut, Nylon 1/4-20 Zn
24	1	613-120	Switch, Micro, Lever
25	1	118-52	Fuse, 10A 2-Prong (AT010)*
26	1	104-27	Pin, Clevis 5/16x.75" Zn
27	1	100-100	Pin, Cotter 1/8x3/4 Zn
29	1	809-147	Lever, Parking Brake
30	1	848-175	Switch, Horn Momentary*
31	1	848-87	Horn, Electric*
32	1	848-176	Harness, Horn Momentary*
33	1	850-72	Bracket Asm, Parking/Brake
35	1	850-79	Pulley, Parking Brake Cable
36	2	850-80	Cable, Parking Brake Equalizer
37	1	850-81	Cable, Parking Brake
38	1	850-82	Flat Bar, Equalizer
39	1	112-143/PI	SHCS 5/16x1.25 Zn
			*If equipped



8x8 Frontier EFI Parts Manual

7.0 Vehicle Body & Firewall

Ref.	Qty.	Part #	Description	Ref.	Qty.	Part #	Description
1	1	707-43	Screen - Exhaust	39	2	117-44	T- Nut 1/4-20 Zn
2	1	601-130	Nameplate, "Argo"	40	92	120-04	Washer .19 x .50 x .08 Zn
3	2	127-45B	Knuckle, Hinge	41	32	120-27	Pin, Magna Grip
4	2	127-45A	Pin, Hinge	42	32	120-28	Collar, Magna Grip
5	1	601-103	Tube, Dash Handle, Pass. Side	43	1	801-51	Skid Plate - Black (Opt.)
6	2	100-109	Cup Holder Insert	44	1	801-53	Body & Hood, Upper -
7	1	126-68	Plate, Operation				Frontier (spec. colour) (incl.
8	1	707-42	Screen, Intake				23, 33, 38)
9	1	801-03	Seat, Rear - Left - 8x8 - Black	45	109	120-09	Rivet 3/16 x 1 - Black
	1	801-03CF	Seat, Rear - Left - 8x8 - CF	46	8	103-48	T/S Pan HD Phil #10 x 5/8
10	1	100-108	Mesh, Glove Box	47	4	126-79	Bumper, Plastic - Black
11	2	112-199	Stud, Q-Turn - Long	48	20	108-25	Washer .31 x .75 x .06 Zn
12	1	803-68	Firewall	49	4	603-15	Washer, Plastic 5/16 Hole
13	1	801-02	Seat, Rear - Right - 8x8 - Black	50	2	103-08	HHCS 1/4-20 x 1.0 Zn
	1	801-02CF	Seat, Rear - Right - 8x8 - CF	51	1	127-144	Label, Warning - HOT
14	1	126-67	Plate, Floor Pan	52	1	126-60	Vinyl Strip, 1/2" x 1/4" x 37.5'
15	1	127-173	Plate, Vehicle Capacity	53	8	108-59	Lockwasher #10 Int. Tooth Zn
16	2	127-01	Reflector, Red	54	9	103-47	HHCS 10-24 x 1/2
17	1	803-58	Floor Pan, Rear	55	2	113-12	Insert, 1/2-13
18	1	127-141	Label, Caution - Keyswitch	56	2	108-35	Washer .53 x 1.06 x .09 Zn
19	1	126-69	Plate, Fuel	57	2	112-151	HHCS 1/2-13 x 1" Gr2 Zn
20	2	129-04	Nameplate - 8x8 Frontier EFI	58	1	613-37	Terminal Strip, Ground
21	2	601-106	Trim, Vinyl - 30" Black	59	17	120-13	Rivet, 3/16 x 3/4 Black
22	2	117-91	Receptacle, Q-Turn	60	1	117-10	Locknut, 10-24 N/I Zn
23	1	602-53	Frame Ass'y, Hood - Front	61	38	120-24	Rivet, 3/32 x 3/8 Alum. (all
24	1	801-05	Bumper, Vinyl - 8x8				plates)
	1	801-202	Bumper, Vinyl - 8x8, Brown -	62	2	100-114	Gasket, Drain Plug
			Scout	63	2	602-56	Latch, Hood - Soft Draw
25	1	803-59	Floor Pan, Front	64	1	601-104	Tube, Dash Handle, Driver
26	1	801-50	Body, Lower				Side
27	2	100-107	Plug, Drain - Flanged	65	2	112-51	Screw, IHWH T/C #10-24x5/8
28	1	104-13	Pin, Toplink - 3/4 x 2.75	66	1	613-123	Post, Power, 5/16-18, Red
29	1	616-16	Hitch Assembly	67	1	128-26	Grommet, 1-1/2ID x 1-3/4x1/4
30	1	616-19	Tube, Hitch	68	1	127-150	Plate, Switch Mounting -3
31	4	103-61	HHCS 3/8-24 x 1.5 Gr5 Zn				Hole
32	1	104-11	Pin, Lynch - Ring	69	2	114-24	Retainer, Q-Turn Washer
33	2	120-15	Rivet - 1/8 x 7/16	70	1	602-68	Screen, 1 Pc Hood/Scoop
34	1	616-20	Gasket, Rear Hitch	71	1	129-01	Plate, Geared By ODG
35	4	108-15	Washer .42 x .81 x .05 Zn	72	8	112-292	T/S Washer Hd Phil #8x3/4 Blk
36	31	120-11	Rivet 5/32 x 9/16 - Black				Note: For ultra chrome add
37	6	120-05	Washer, .19 x .50 x .04 Zn				UC to part #
38	1	602-57	Hood Kit - Frontier (spec.				
			colour) (incl. 3, 4, 36, 53, 54,				
			63)				

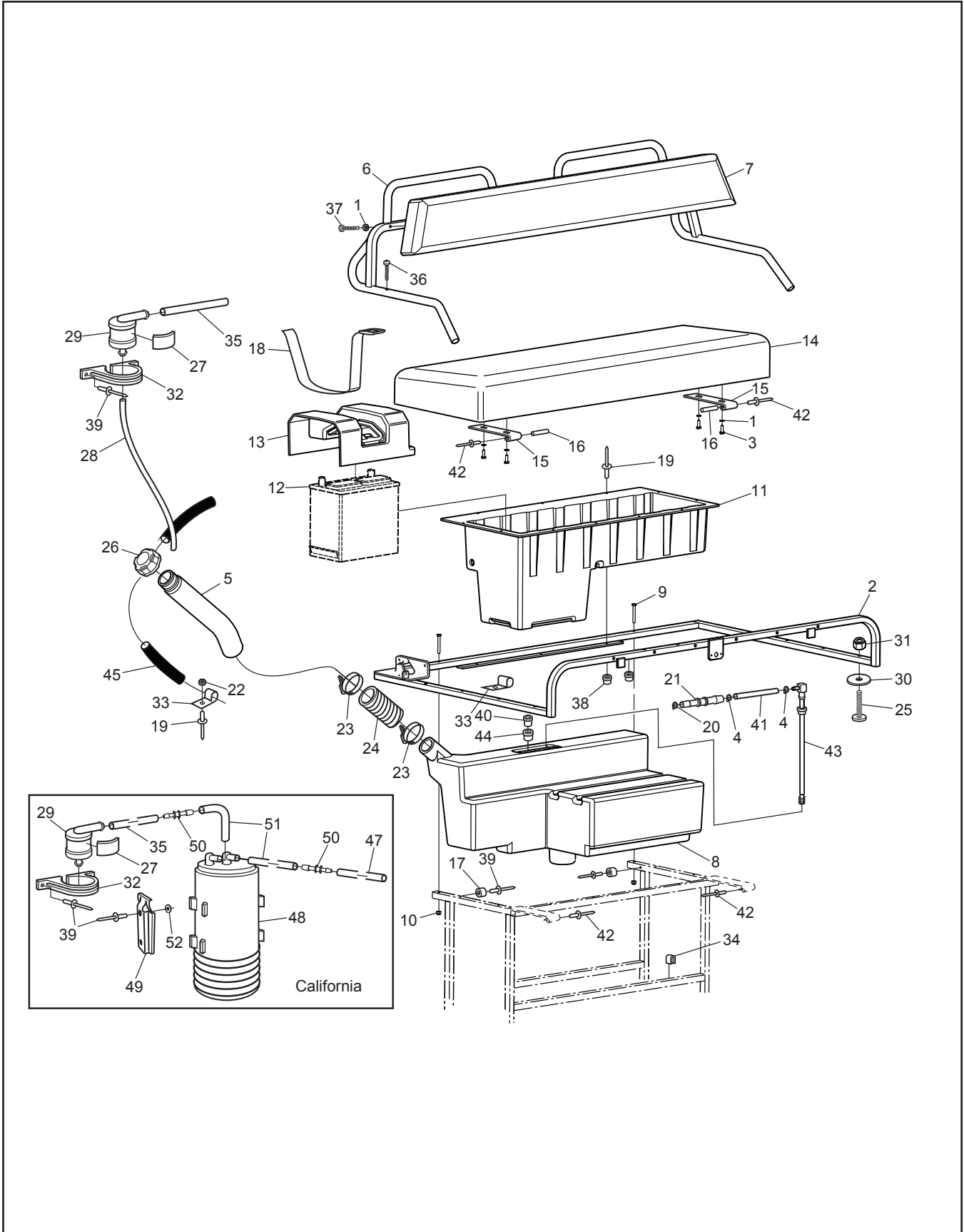


8x8 Frontier EFI Parts Manual

8.0 Frame and Drive System

Ref.	Qty.	Part #	Description	Ref.	Qty.	Part #	Description
1	1	804-136	Frame Wldt. - 8x8 Frontier	38	8	127-158	Tire, Argo 24 x 10-8
2	4	606-25	Gasket - Bearing Extension	39	6	100-01	Pin, Cotter 1/8 x 1.50 Zn
3	80	117-118	Locknut, Nylon 3/8-16, Flanged	40	1x4	100-96	Con. Link, RC50-2 H.D.
4	16	108-46	Washer .40 x 1.37 x .12 Hi- Carbon	41	1x4	603-84	Con. Link, RC60-1 H.D.
5		125-75	Link, Half RC50-2	42	6	127-65	Spring Torsion - 1.16x0.35
6	8	101-41	Bearing, Ball - 1.0	43	6	606-44	Slider Block
7	1	804-138	Frame Wldt, Seat 8x8	44	6	606-82	Tensioner Asm, Chain
8	35	103-88	C/Bolt 3/8-16 x 1.0 Gr5 Zn	45	6	127-64	Spring, Torsion - .76 x 1.9
9	16	606-90	Gasket, Flange - 72mm	46	4	603-95	Spring Clip - RC 50 Closed
10	12	606-91	Flange - 4 Hole Hd	47	4	603-96	Spring Clip - RC 60 Closed
11	10	606-92	Flange, Greasable - 4 Hole Hd	48	2	606-93	Flange, Greaseable - 90 Deg. Hd
12	4	101-96	Bearing, Ball - 1.25x1.5 No Grv	49	1	806-254	Tube, Rear Hoop, Argo
13	16	112-187	C-Bolt 3/8-16x2.0 Gr5 Zn	50	8	101-95	Bearing, Ball - 1.25 x 72mm
14	8	606-88	Flange Ass'y, Outer Bearing	51	16	108-06	Lockwasher 3/8 Split Ring Zn
15	16	103-68	HHCS 3/8-16 x 2.0 Gr5 Zn	52	2	806-255	Bracket, Rear Hoop, Argo
16	4	810-112	Bearing Extension w/nuts	53	4	104-35	Pin, Cotter 2mm x 12mm
17	20	108-34	Washer .47 x .94 x .06 Zn	54	2	127-188	Link, Con. #60 Lambda
18	20	112-181	HHCS 7/16-20 x 1.75 Gr5 Zn	55	4	810-28	Sprocket, Double - 24T
19	5x8	112-183	Stud, Wheel 7/16-20 x 1.5	56	2	606-43	Slide, Chain - 2-3/4"
20	2	810-92	Axle Asm - Front/Rear HD	57	8	606-89	Carrier, Axle Bearing
21	6	810-113	Axle Asm - Mid HD	58	4	107-10	Retaining Ring SH-0125-PA
22	2	810-59	Shaft, Idler - 11T	59	2	642-47	Tie Down Bracket
23	2	606-72	Sprocket, Idler S60 x 21T	60	1	613-127	Magnet, Speedometer
24	8	606-34	Sprocket, S60 x 19T	61	14	108-42	Washer .21x1.0x.06 Zn
25	10	112-03	SHSS 5/16-18 x 3/8 1/2 DOG, PL	62	14	117-10	Locknut, 10-24 N/I Zn
26	2	803-62	Chain, RC60-1 x 34P Idler- Lambda	63	14	112-07	RHMS 10-24x1.50 Zn
27	4	112-60	SHSS 1/4-28 x 1/2 Cup Pt.	64	4	108-12	Washer .34x1.00x.06 Zn
28	8	112-31	HHCS 3/8-16 x 1.0 2B Gr8 Zn	65	4	103-06	HHCS 5/16-18x1.0 Gr5 Zn
29	1	112-163	HHCS 3/8-16 x 2.0 Gr5 Zn	66	4	108-05	Lockwasher 5/16 Split-Ring Zn
30	4	112-61	C/Bolt 3/8-16 x 1.25 Gr5 Zn	67	4	108-08	Washer .28x.62x.07 Zn
31		127-80	Link, Half - RC60 - 1 (opt.)	68	4	112-215	C/Bolt 1/4-20 x 1.5 Gr2 Zn
32	2	803-55	Chain, RC50-2 x 46P-Front (incl. Ref. 40)	69	6	117-27	Locknut, Nylon 1/4-20 Zn
33	2	803-56	Chain, RC50-2 x 74P-Mid (incl. Ref. 40)	70	2	112-214	HHCS 1/4-20 x 2 Gr5 Zn
34	4	803-57	Chain, RC60-1 x 90P-Rear (incl. Ref. 41)	71	4	108-24	Washer .34x.70x.06 Zn
35	5x8	117-35	Nut, Wheel 7/16-20 Zn	72	4	117-21	Locknut, Nylon 5/16-18 Zn
36	8	125-26	Valve, Tire	73	8	112-200	SHSS 5/16-24x5/16 Flat PT
37	8	125-13BL	Rim - 8x7, 5 Bolt - Black				For Bead Lock Wheel Option see Section 11.0

9.0 Fuel System & Seat Assembly 8x8 Frontier EFI Parts Manual

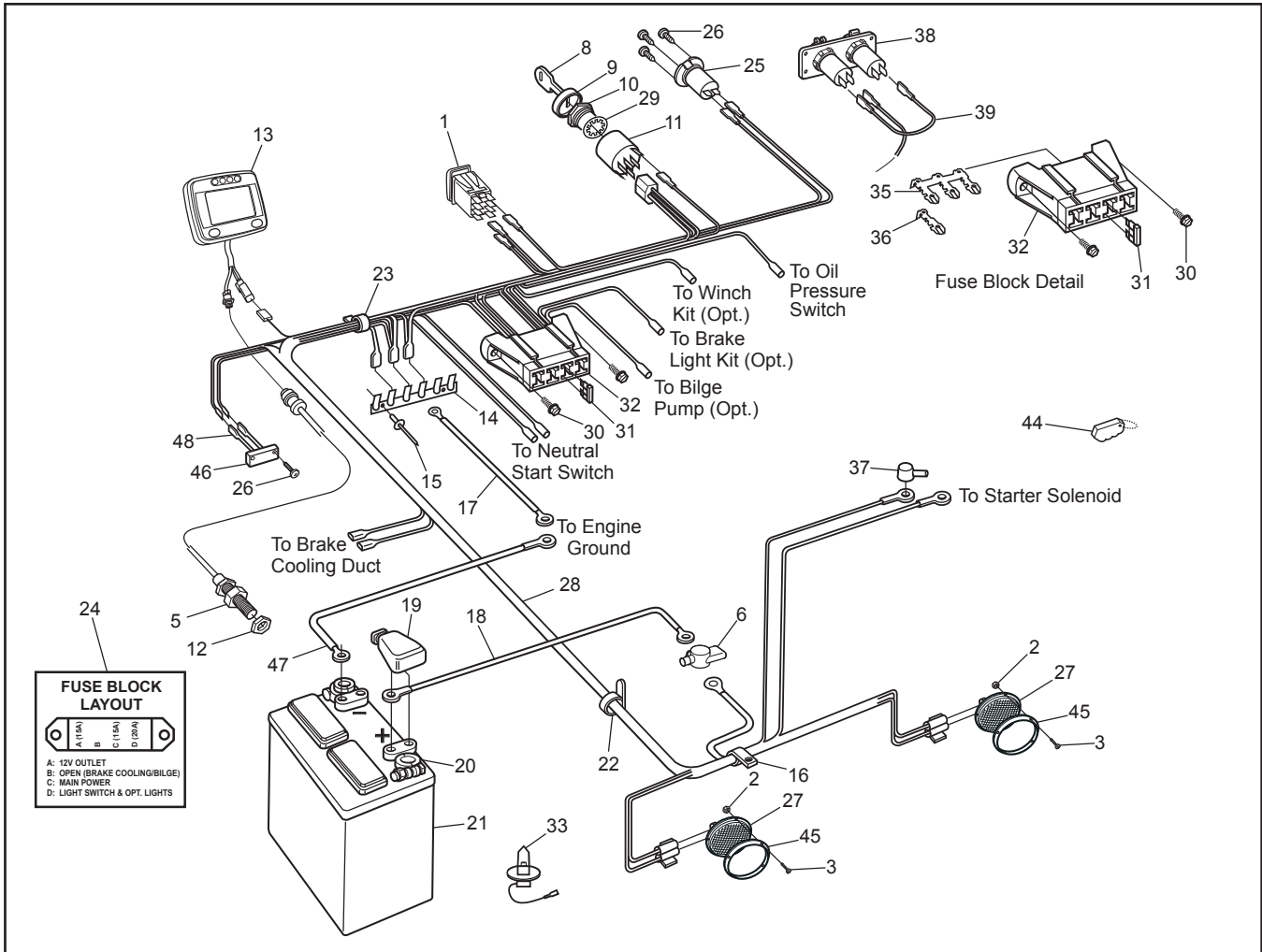


8x8 Frontier EFI Parts Manual 9.0 Fuel System & Seat Assembly

Ref.	Qty.	Part #	Description	Ref.	Qty.	Part #	Description
1	8	108-03	Lockwasher 1/4 Split Ring Zn	44	1	608-136	Grommet, Fuel Return
2	1	608-132	Frame Assembly, Seat - EFI	45	1	608-66	Hose, Fuel 1/4" ID, 80"
3	4	112-04	HHCS 1/4-20x3/4 Gr2 Zn				United States Vehicle Kit
4	2	112-78	Clamp, Hose, 9/16				Tank, Fuel Low Permeation
5	1	608-140	Fuel, Fill Neck Assembly	8	1	608-120	Plate, Serial Blank Double
6	1	608-76	Frame Assembly, Backrest	1	1	127-273	Label, U.S EPA EVAP
7	1	608-39	Back Pad Assembly - Black	1	1	127-274	Approval
	1	608-39CF	Back Pad Assembly - CF	46	2	120-24	Rivet, Alum - 3/32 x 3/8 Black
8	1	608-122	Tank, Fuel Single Layer				California Vehicle Kit
	1	608-120	Tank, Fuel Low Permeation (for U.S.)	8	1	608-120	Tank, Fuel Low Permeation
9	2	103-77	HHCS, 1/4-28 x 2.0	1	1	127-273	Plate, Serial Blank Double
10	2	117-01	Locknut, Nylon 1/4-28 Zn	1	1	127-274	Label, U.S EPA EVAP
11	1	608-54	Toolbox				Approval
12	1	127-54	See Section 10.0 Electrical System	39	2	120-13	Rivet - 3/16 x 3/4 Black
13	1	608-55	Cover, Battery	46	4	120-24	Rivet, Alum - 3/32 x 3/8 Black
14	1	608-88	Seat Assembly, Bench - Thick				Label, Carb EVAP
	1	608-88CF	Seat Assembly, Bench - CF	1	1	127-275	Approval
15	2	608-81	Hinge, Seat, Bolted	47	1	126-101RM	Hose, Vent 3/16" ID
16	2	104-43	Pin, 3/16" x 1-1/8"	48	1	609-45	Carbon Canister 800cc
17	2	126-102	Bumper, Recessed Hole	49	1	609-46	Bracket, Carbon Canister
18	1	608-56	Strap, Battery	50	2	609-48	Reducer, Barbed 1/4" to 3/16"
19	17	120-09	Rivet 3/16x1 - Black	51	2	127-160-3	Hose, 1/4ID x 3/8OD - 3" Long
20	4	112-79	Clamp, Hose, 1/2" Red	52	2	120-05	Washer .19x.50x.04 Zn
21	1	808-133	Reducer, 5/16" to 1/4" Barbed				
22	8	120-04	Washer .19 x .50 x .08 Zn				
23	2	100-12	Clamp, Gear 2.25" HF-36				
24	1	125-94	Hose, Filler				
25	10	112-07	RHMS 10-24 x 1.50 Zn				
26	1	126-100	Fuel Cap, Tethered				
27	1	126-60	Vinyl Strip 1/2" x 1/4"				
28	6'	127-160RM	Tubing, 1/4 ID Clear Plastic				
29	1	609-47	Valve, Rollover				
30	10	108-42	Washer .21 x 1.0x.06 Zn				
31	14	117-10	Locknut, Nylon #10-24 Zn				
32	1	609-50	Clamp, Rollover Valve				
33	9	126-93	Clamp, Nylon Wire - 1/2" ID				
34	2	702-06	Foam Cushion				
35	2	126-101RM	Hose, Vent 3/16" ID				
36	2	112-41	PHMS, Phil 1/4-20 x 1.25 Zn				
37	4	103-03	PHMS, Phil 1/4-20 x 1.50 Zn				
38	2	117-64	Insert, 1/4-20 Steel Cad Pltg.				
39	4	120-13	Rivet, 3/16 x 3/4 Black				
40	1	608-137	Plug, Push-In				
41	2"	608-69RM	Hose, Fuel - 5/16" ID Carb				
42	4	120-31	Rivet, 3/16" x 1/4, Open End				
43	1	608-127	Pick-up, Fuel, 5/16 105 Mesh				

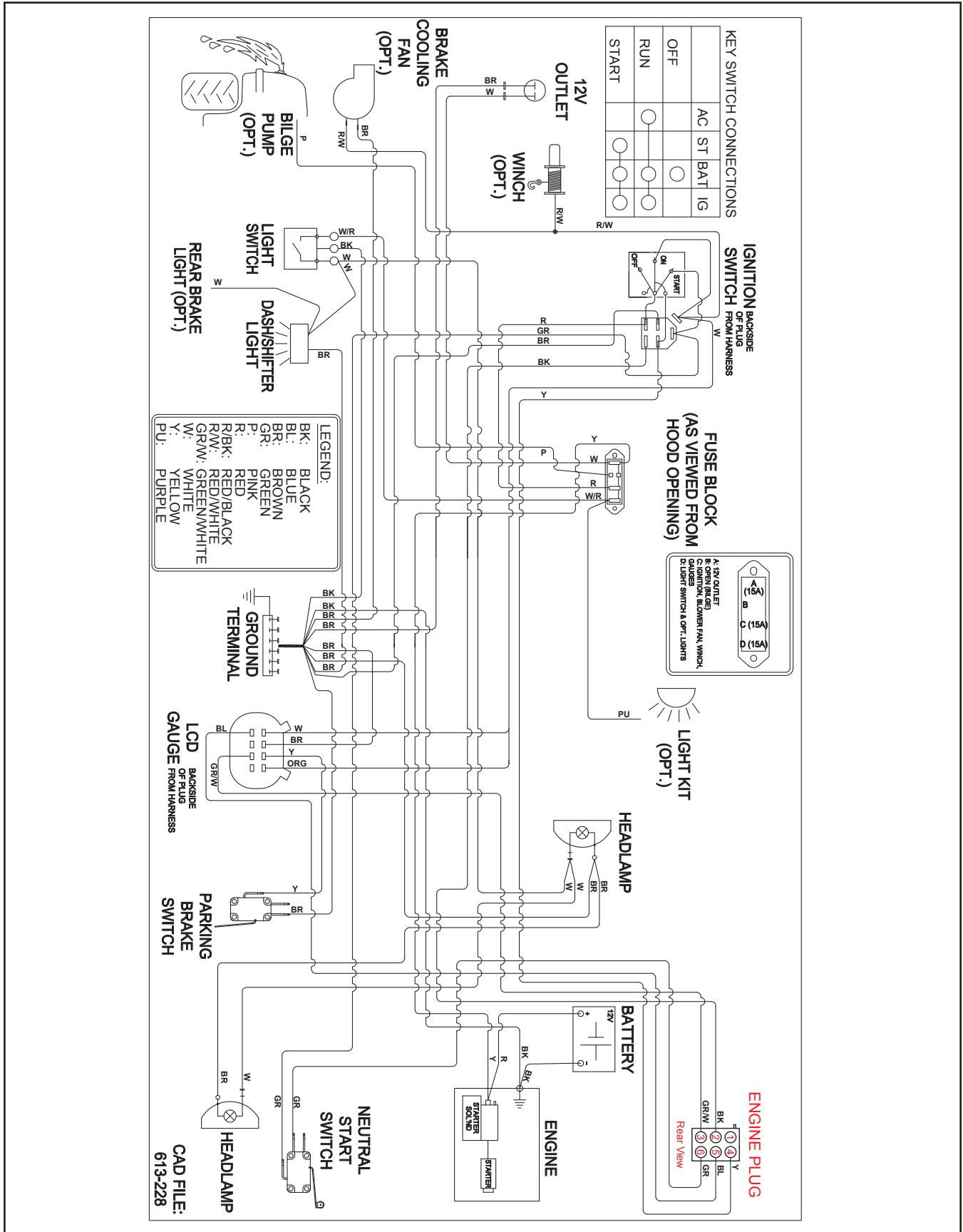
10.0 Electrical System

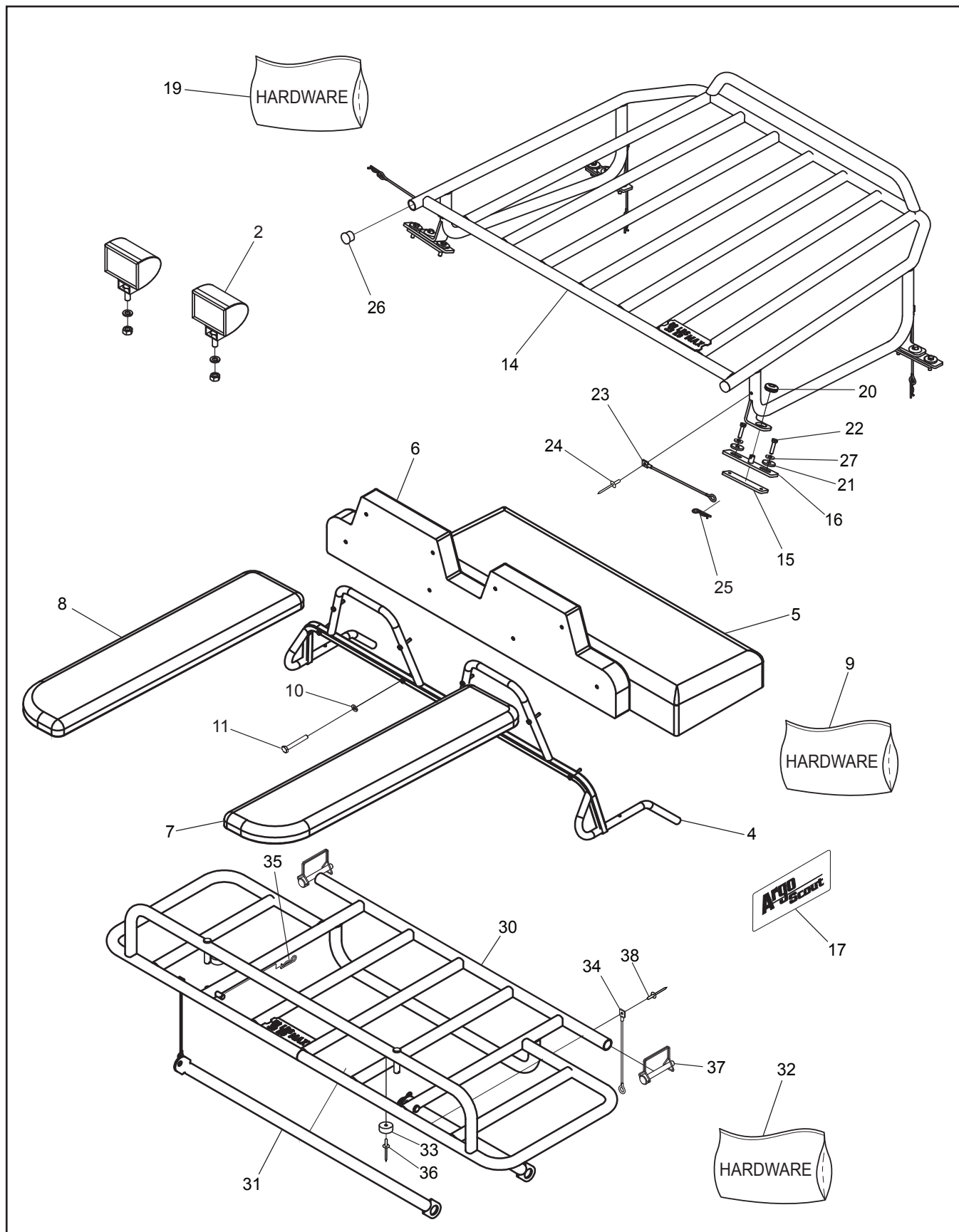
8x8 Frontier EFI Parts Manual



Ref.	Qty.	Part #	Description
1	1	613-153	Switch, Light
2	8	117-93	Nut, Speed #10
3	8	112-198	T/S Pan Hd Phil #10 x 1 Blk. Zn
5	1	613-226	Sensor, Speedo Pickup 1 Pc.
6	1	613-124	Insulator, 2 Way w/cap, Red
7	1	118-30	Terminal, Eye - #10
8	2	127-108	Key, Molded
9	1	127-107	Cover, Nut
10	1	127-106	Nut, Flanged - Plastic
11	1	127-105	Switch - Ignition
12	1	117-87	Nut, M12 x 1.25, Zn
13	1	613-130	Gauge, LCD
14	1	613-37	Terminal Strip, Ground
15	2	120-15	Rivet 1/8 x 7/16
16	4	127-24	Clamp, Nylon - 1" ID
17	1	613-14	Wire, Ground - 14"
18	1	613-94	Wire, Positive Battery
19	1	127-55	Cap, Battery Terminal - Red
20	2	127-56	Terminal, Battery Post
21	1	127-54	Battery, Exide 45-60
	1	613-161	Battery, Optima - Argo (Opt.)
22	8	100-64	Tie Wrap - 5.5" - Black
23	13	126-93	Clamp, Nylon Wire - 1/2" ID
24	1	127-154	Label, Fuse Panel

Ref.	Qty.	Part #	Description
25	1	613-90	Outlet, 12 V DC
26	6	112-139	#4 Phil Drive Oval Head Screw, Blk.
27	2	613-159	Headlight - 3.75W
28	1	613-228	Wire Harness, Kohler EFI
29	1	114-26	Lockwasher, 5/8 Int. Tooth
30	2	112-51	Screw, IHWH T/C #10-24x5/8
31	3	118-49	Fuse, 15 A 2-prong (AT015)
32	1	118-60	Block Fuse - 8 position (4 fuse)
33	2	127-46	Bulb, Headlight - Halogen
35	1	118-63	Terminal, Fuse - Triple
36	5	118-62	Terminal, Fuse - Single
37	3	613-45	Insulator, Terminal (6 ga.)
38	1	118-80	Outlet, 12V & Twin USB (if equipped)
39	1	613-231	Wire Harness, USB (if equipped)
44	1	681-00	FOB, Key - Floating
45	2	613-152	Bezel, Headlamp
46	1	613-99	Light, Shifter Illumination
47	1	613-95	Wire, Negative Battery
48	2	118-69	Terminal, 3/16 Male Blade 22 Ga



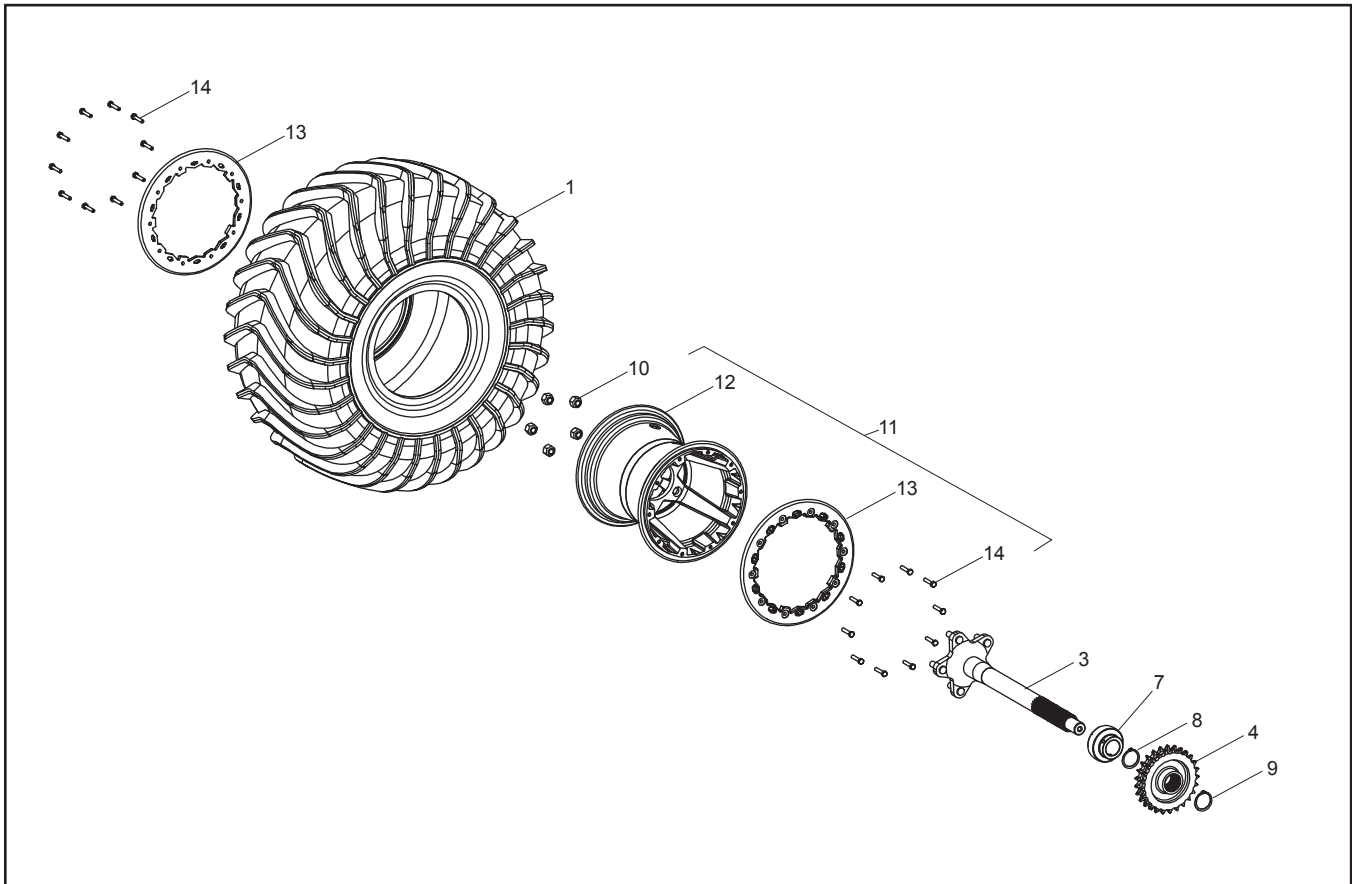


8x8 Frontier EFI Parts Manual

11.0 Scout Option

Ref.	Qty.	Part #	Description	Ref.	Qty.	Part #	Description
2	2	613-233	Light, Multi Spot, 18W	32	1	850-330HDW	Acc, Rear Rack, Argo, Hardware (incl. Ref. 33-38)
4	1	850-351	Wldt, Backrest, Scout				
5	1	850-319	Seat, Front Bench, Scout	33	2	126-102	Bumper, Recessed Hole
6	1	850-320	Seat, Front Backrest, Scout	34	2	104-80	Lanyard, 6" Loop, W/Tab
7	1	850-321	Seat, Rear RH - 6x6, Scout	35	2	100-16	Clip, Hitch Pin 1.625 Zn
8	1	850-322	Seat, Rear LH - 6x6, Scout	36	2	120-13	Rivet, 3/16 x 3/4 Black
9	1	850-350HDW	Acc, Scout Seating, Hardware	37	2	104-84	Pin, Safety, 3/8 x 2-1/4, Brown
10	8	108-03	Lockwasher 1/4 Split Ring Zn	38	2	120-31	Rivet, 3/16" x 1/4", Open End
11	8	112-297	HHCS 1/4-20 X 1.75 Full Thread				
14	1	850-338	Wldt, Hood Rack, Scout				
15	4	958-268	Wldt, Hood Rack Mount - Rear				
16	4	850-339	Plate, Backing, Hood Rack Argo				
17	1	850-356	Nameplate, Argo, Scout 8x8				
19	1	850-340HDW	Acc, Hood Rack, Argo, Hardware (incl. Ref. 20-27)				
20	4	127-132	Grommet, Rubber - 1/2" ID				
21	8	108-104	Washer, 0.28ID x 1.0OD x 0.13, Blk				
22	8	112-212	HHCS M6x1x25mm, Black Zn				
23	4	104-80	Lanyard, 6" Loop, W/Tab				
24	4	120-31	Rivet, 3/16" X 1/4", Open End				
25	4	100-16	Clip, Hitch Pin 1.625 Zn				
26	2	639-25	Plug, End - Black				
27	8	108-105	Lockwasher, 1/4 Split, Blk Zn				
30	1	850-328	Wldt, Rear Rack, Argo				
31	2	850-367	Support, Rear Rack, Argo				
				<p>Note: Scout 8x8 trim package also includes the following standard Argo accessories:</p> <ul style="list-style-type: none"> 622-142 Winch 642-50 Brush Guard 801-51 Skid Plate 638-40 Bilge Pump 848-240 Dual Entry Step Front and rear bearing extensions (see Section 8.0) 			

12.0 Bead Lock Wheel Option 8x8 Frontier EFI Parts Manual



Ref.	Qty.	Part #	Description
1	8	127-182	Tire, Argo 25
2	4	810-122	Asm, Axle Forged - FR/RR
3	4	810-123	Asm, Axle Forged - Mid
4	4	805-144	Sprocket, D50x24T-16/32 Int
5	8	805-143	Sprocket, S60x19T-16/32 Int
7	8	101-123	Bearing, Ball -1.375 x 72mm
8	8	106-15	Retaining Ring SH-0137-PA
9	4	106-34	Retaining Ring, E-Style 1.375"
10	40	117-117	Nut, Wheel 7/16-20 Chrome
11	8	127-250	Rim Asy - Dual Bead Lock Alum (incl. Ref. 12-14)
12	1	127-251	Rim, Offset Dual Bead Lock
13	2	127-252RM	Rim Ring - Dual Bead Lock Clamping
14	20	112-218	HHCS Washer HD M6x1,0x30mm Zn

ARGO Products Manufactured by:

Ontario Drive & Gear Limited

220 Bergey Court

New Hamburg, Ontario

Canada N3A 2J5

Phone: (519) 662-2840

Fax: (519) 662-2421

www.argoatv.com

ODG *Dedicated to quality and performance*