

FRONTIER



Argo 8x8

2021 PARTS MANUAL

Frontier 650 8x8

Frontier 700 8x8

Frontier 700 Scout 8x8

Foreword

ODG has prepared this parts manual for the Frontier models to assist both qualified mechanics and vehicle owners in ordering correct, quality replacement ARGO parts. For the most current parts manual contact your dealer or visit our website at www.argoxtv.com.

Proper and regular service, and replacing old, worn or broken parts with the correct ARGO replacement parts, are both essential to prolonging the life of the ARGO. Please refer to this parts manual and/or our website www.argoxtv.com before ordering any replacement part.

All information contained in this Frontier Parts Manual is based on the latest product specification available at time of release. If your Frontier differs from the specifications contained in this manual, contact your dealer for the most current information.

ODG reserves the right to alter specifications on the Frontier models at any time, without obligation or prior notification.

Reproduction of this Frontier Parts Manual, in whole or in part, is prohibited without prior written permission from Ontario Drive & Gear Limited.

Vehicle Identification

Frontier - 2021 Serial Nos... last 5 digits of V.I.N.

Explanation of Parts Manual Format

Ref - Reference number between assembly diagram and component parts list

Part No. - Argo replacement part number for identification and re-ordering

Description - Part description for identification and re-ordering

Qty - Indicates the quantity of a part used in an assembly

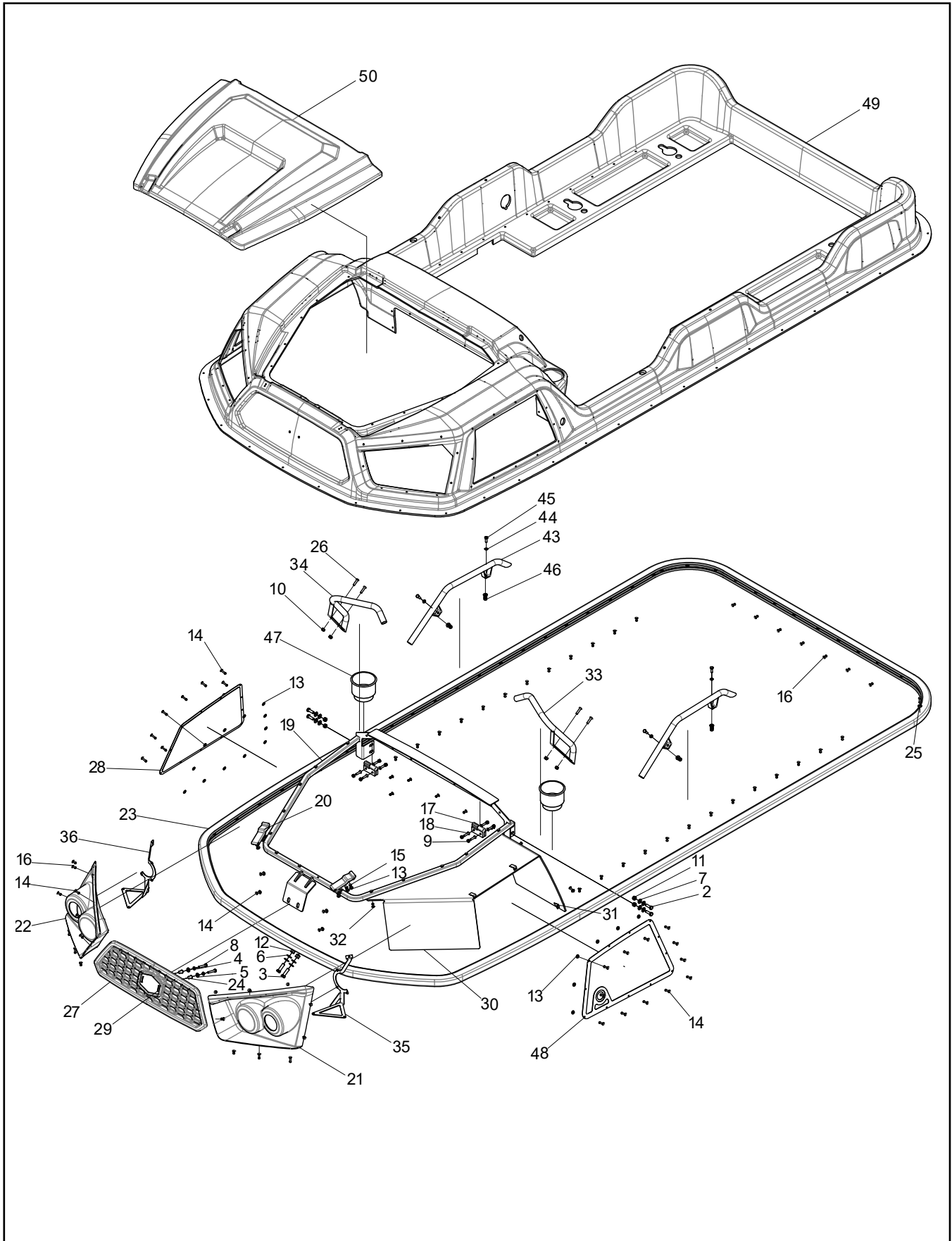


Using the Parts Manual

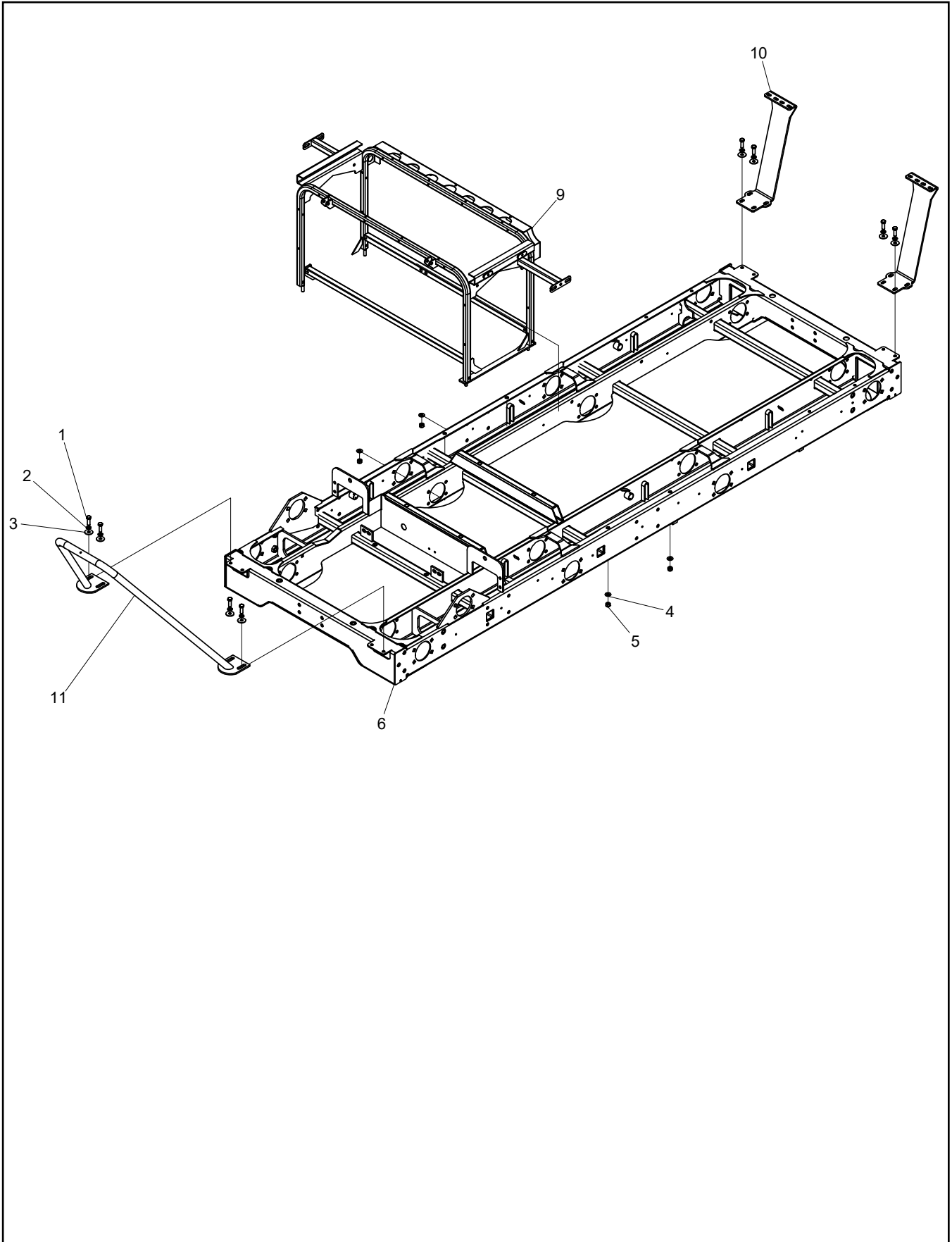
1. Find the major vehicle assembly in the Table of Contents on this page, and turn to that section.
2. Locate the part in the illustration that you wish to order.
3. Refer to the parts list in that section.
4. Find the correct part number (Part No.), part description (Description) and correct quantity (Qty).
5. Use *only* this information to order ARGO replacement parts. **DO NOT** attempt to order a replacement part by reference number or page number.

Table of Contents

Foreword	i
Vehicle Identification.....	i
Using the Parts Manual	ii
1.0 Upper Body	1
2.0 Chassis.....	3
3.0 Lower Body	5
4.0 Covers	7
5.0 Axle & Driveline	9
6.0 Fuel System	11
7.0 Intake System B&S 23 HP	13
7.1 Intake System Kohler 23 HP	14
8.0 Exhaust System B&S 23 HP	15
8.1 Exhaust System Kohler 23 HP	16
9.0 Wheel - Standard	17
10.0 Seat - Front	18
10.1 Seat - Rear	19
10.2 Seat - Side.....	20
11.0 Steering & Brakes	21
12.0 Clutch	23
13.0 Transmission	25
13.1 Transmission & Controls	27
14.0 Engine Kohler 23 HP	29
14.1 Engine B&S 23 HP	31
15.0 Labels	33
15.1 Decals	34
15.2 Labels, By Region	35
16.0 Electrical	37
16.1 Main Wire Harness - Schematic.....	39



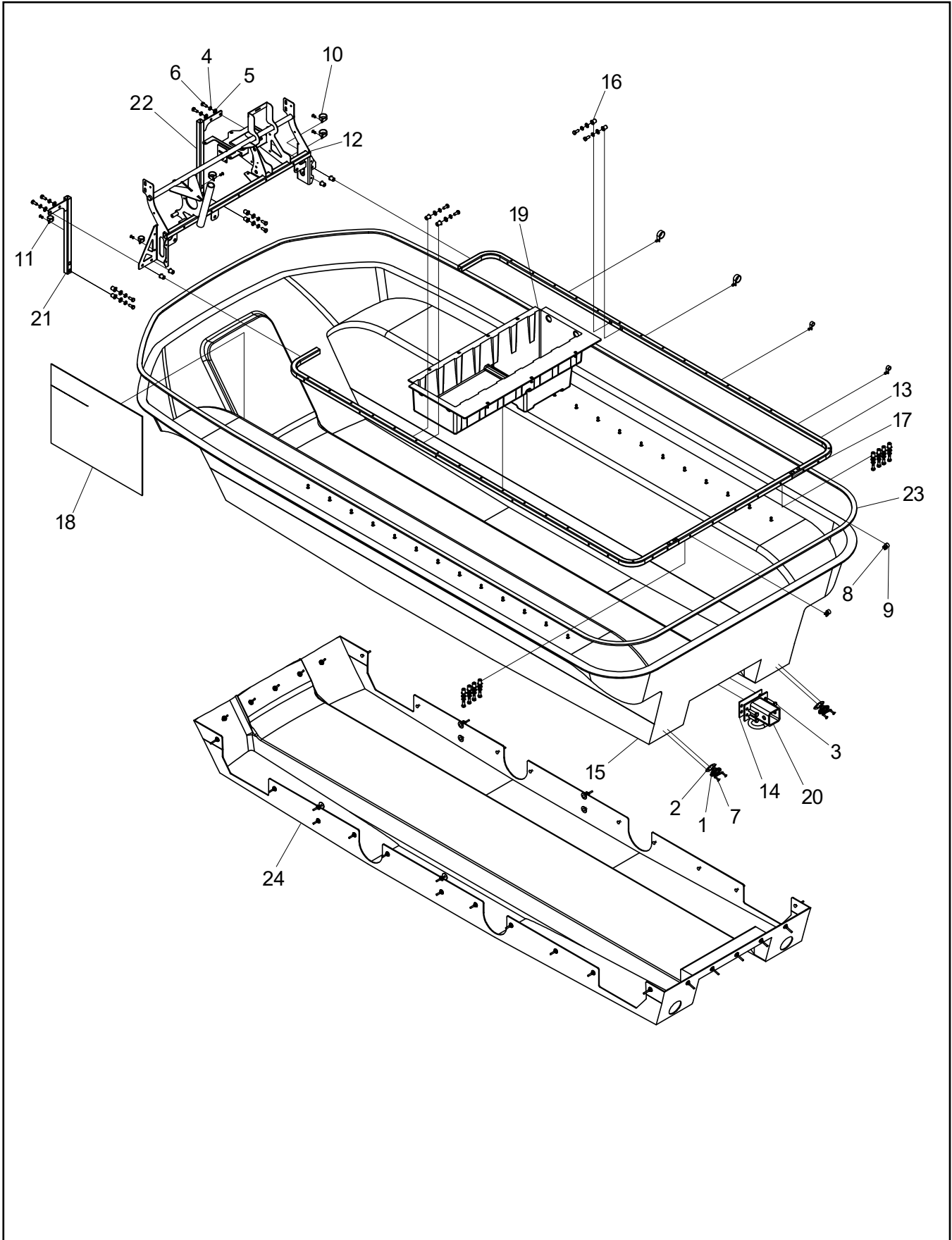
Ref.	Qty.	Part #	Description
2	4	103-06	HHCS 5/16-18x1.0 Gr5 Zn
3	2	103-34	HHCS 3/8-16x1.25 Gr5 Zn
4	2	108-03	Lockwasher 1/4 Split Ring Zn
5	2	108-08	Washer .28x.62x.07 Zn
6	4	108-15	Washer .42x.81x.05 Zn
7	8	108-24	Washer .34x.70x.06 Zn
8	2	112-90	HHCS 1/4-20x1.5" Gr5 Zn
9	8	112-115	Locknut, Nylon M6x1 Zn
10	4	117-27	Locknut, Nylon 1/4-20 Zn
11	4	117-127	Locknut, Nylon 5/16-18 ZP
12	2	117-128	Locknut, Nylon 3/8-16 ZP
13	105	120-04	Washer .19x.50x.08 Zn
14	105	120-09	Rivet - 3/16 x 1.0 Black
15	8	120-11	Rivet, 5/32 x .157-.472
16	67	120-13	Rivet - 3/16 x 3/4 Black
17	2	200-0003	Hinge, Barrel - Removable
18	8	200-0007-025	FHCS, M6x1.0x25 Gr10.9 Bnz
19	1	300-0019	Wldt, Hood Frame
20	2	602-56	Latch, Hood - Soft Draw
21	1	700-0074	Bezel, Head Light - Left
22	1	700-0075	Bezel, Head Light - Right
23	1	801-05	Bumper, Vinyl - 8x8
24	2	10055A003	Insert Nut, 1/4-20 UNC
25	40	10092A004	Washer, Finishing - #10
26	4	10153A100	BHCS,1/4-20-1 Gr5 BNZ
27	1	10217C	Panel, Grille
28	1	10354C	Wldt, Intake Screen
29	1	10542C	Wldt, Logo Plate
30	1	400-0040	Shield, Upper Heat
31	3	300-0239	Bracket, Heat Shield
32	5	120-14	Rivet - 3/16 x 5/8 Black
33	1	700-0056	Wldt, Grab Handle - Left
34	1	700-0057	Wldt, Grab Handle - Right
35	1	300-0281	Bracket, Low Beam - Left
36	1	300-0282	Bracket, Low Beam - Right
43	2	700-0070	Handrail Wldt, Front
44	4	108-105	Lockwasher, 1/4 Split, Blk Zn
45	4	112-04	HHCS 1/4-20x3/4 Gr5 Zn
46	4	117-53	Nut, Jack 1/4-20 8L-JNS Zn
47	2	700-0234	Cup Holder Insert - Large
48	1	300-0257	Wldt, Exhaust Screen - Kohler
49	1	700-0013	Upper Body, 8x8 - Specify Colour: Blk, Buc, Org, Tun
50	1	700-0055	Panel, Hood - Specify Colour: Blk, Buc, Org, Tun



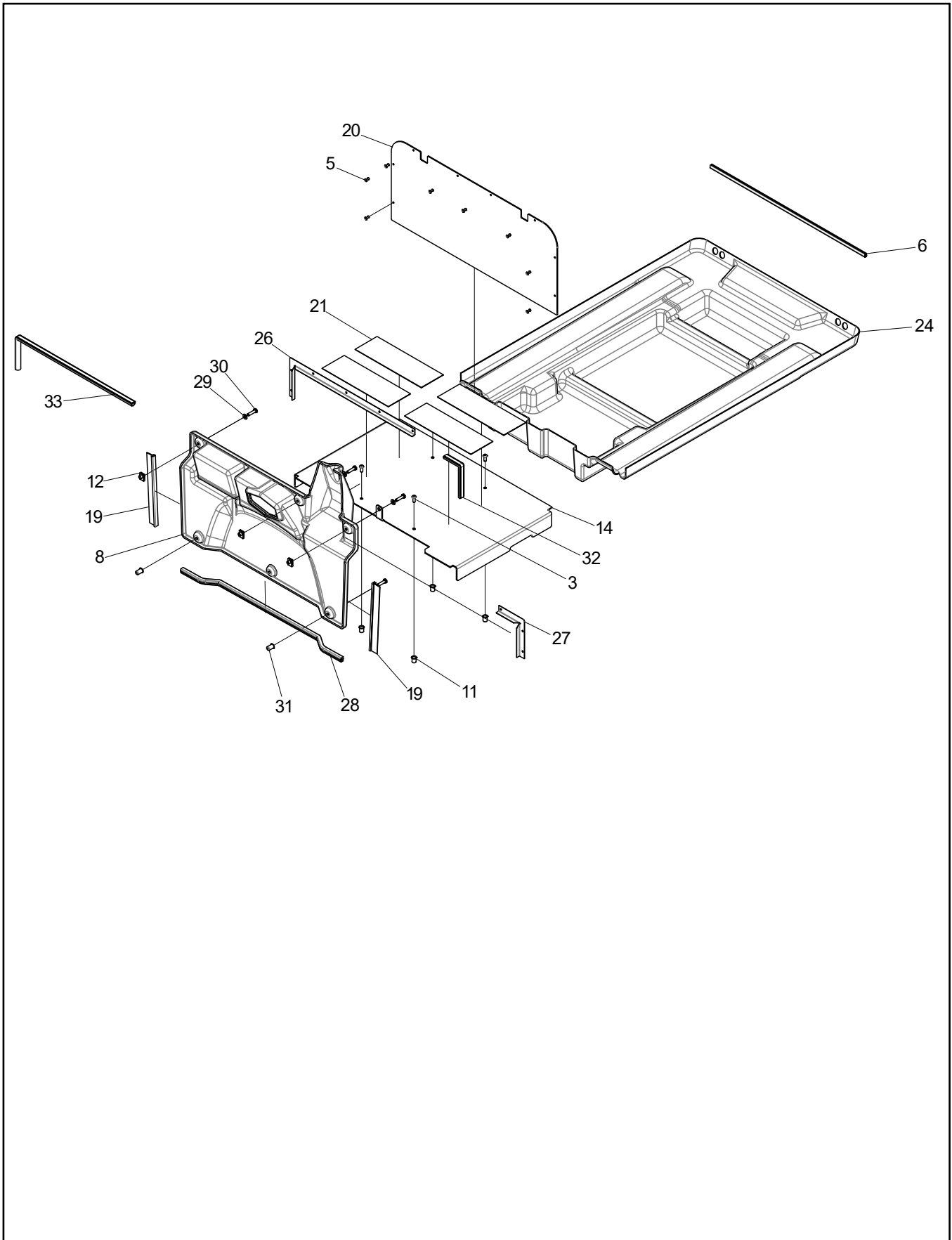
Ref.	Qty.	Part #	Description
1	8	103-06	HHCS 5/16-18x1.0 Gr5 Zn
2	8	108-05	Lockwasher 5/16 Split-Ring BNZ
3	8	108-12	Washer .34x1.00x.06 Zn
4	4	108-24	Washer .34x.70x.06 Zn
5	4	117-21	Locknut, TD 5/16-18 BNZ
6	1	300-0062	Chassis, 8x8
9	1	10691C	Wldt, Seat Frame
10	2	300-0142	Bracket, Rear Hoop
11	1	300-0074	Wldt, Winch Hoop

3.0 Lower Body

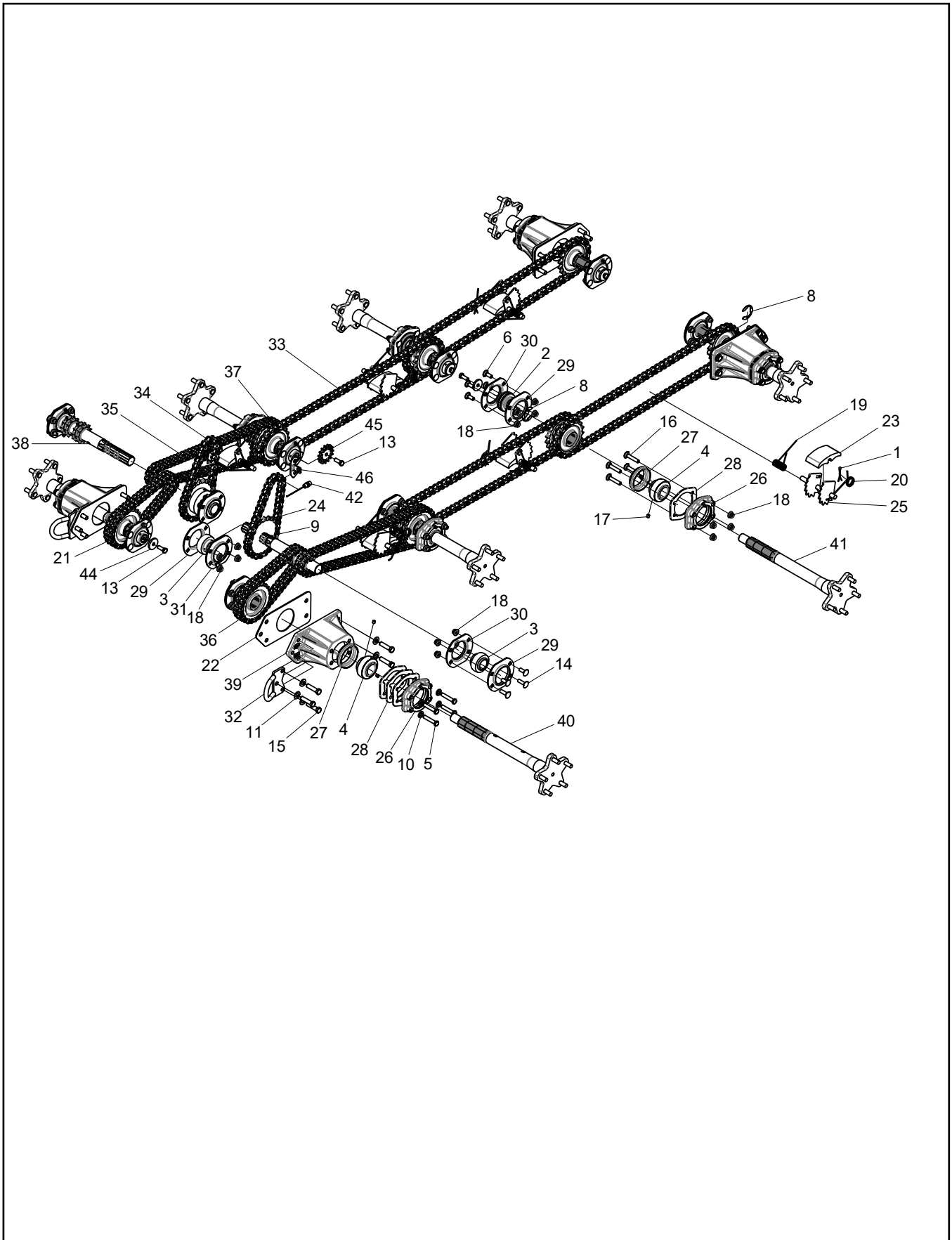
2021 Frontier 8x8 Parts Manual



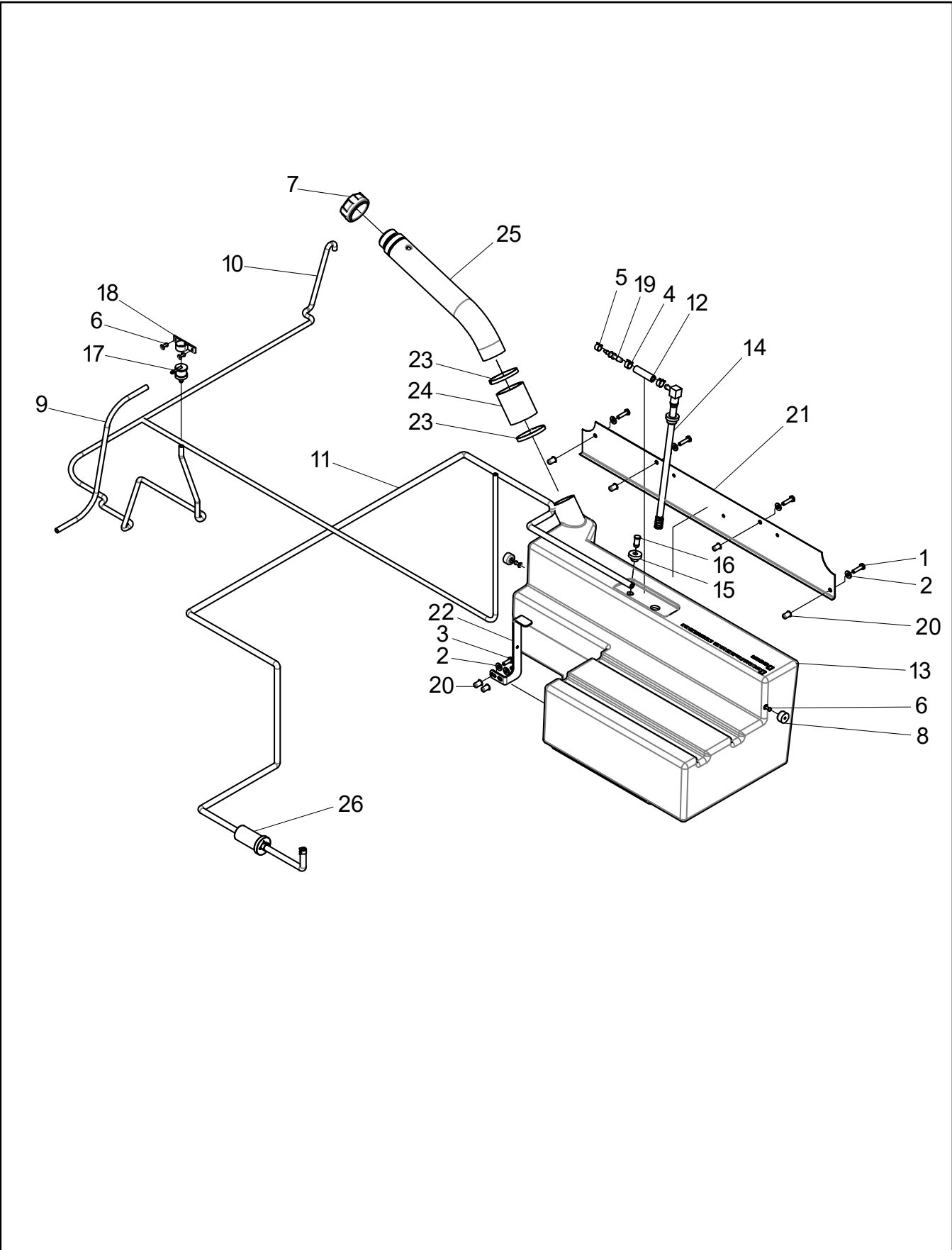
Ref.	Qty.	Part #	Description
1	2	100-107 100-115	Plug, Drain-Flanged Drain Plug (male) c/w O-Ring
2	2	100-114	Gasket, Drain Plug
3	4	103-61	HHCS 3/8-24x1.5 Gr5 Zn
4	20	108-05	Lockwasher 5/16 Split-Ring Bnz
5	20	108-24	Washer .34x.70x.06 Zn
6	20	112-01	HHCS 5/16-18x3/4 Gr5 Zn
7	11	120-09	Rivet - 3/16 x 1.0 Black
8	37	120-13	Rivet - 3/16 x 3/4 Black
9	4	126-93	Clamp, Nylon Wire - 1/2" ID
10	5	127-24	Clamp, Nylon - 1" ID
11	2	127-287	Clamp, Nylon, 3/4 ID
12	1	300-0003	Wldt, Dash Support
13	2	300-0026	Tube, Upper Hoop - 8x8
14	1	616-20	Gasket, Rear Hitch
15	1	801-50	Body, Lower - Avenger
16	20	10055A001	Insert Nut, 5/16-18 UNC
17	1	10209C	Rear Tube
18	1	10257C	Insulation, Lower Body
19	1	10586C	Under Seat Storage Box
20	1	300-0079	Hitch, Receiver
21	1	300-0208	Wldt, Lower Dash Support - Left
22	1	300-0216	Wldt, Lower Dash Support - Right
23	1	200-0001-323	PVC Foam Tape, 3/4" x 1/4" x 323"
24	1	863-13	Skid Plate, 8x8 & Hardware



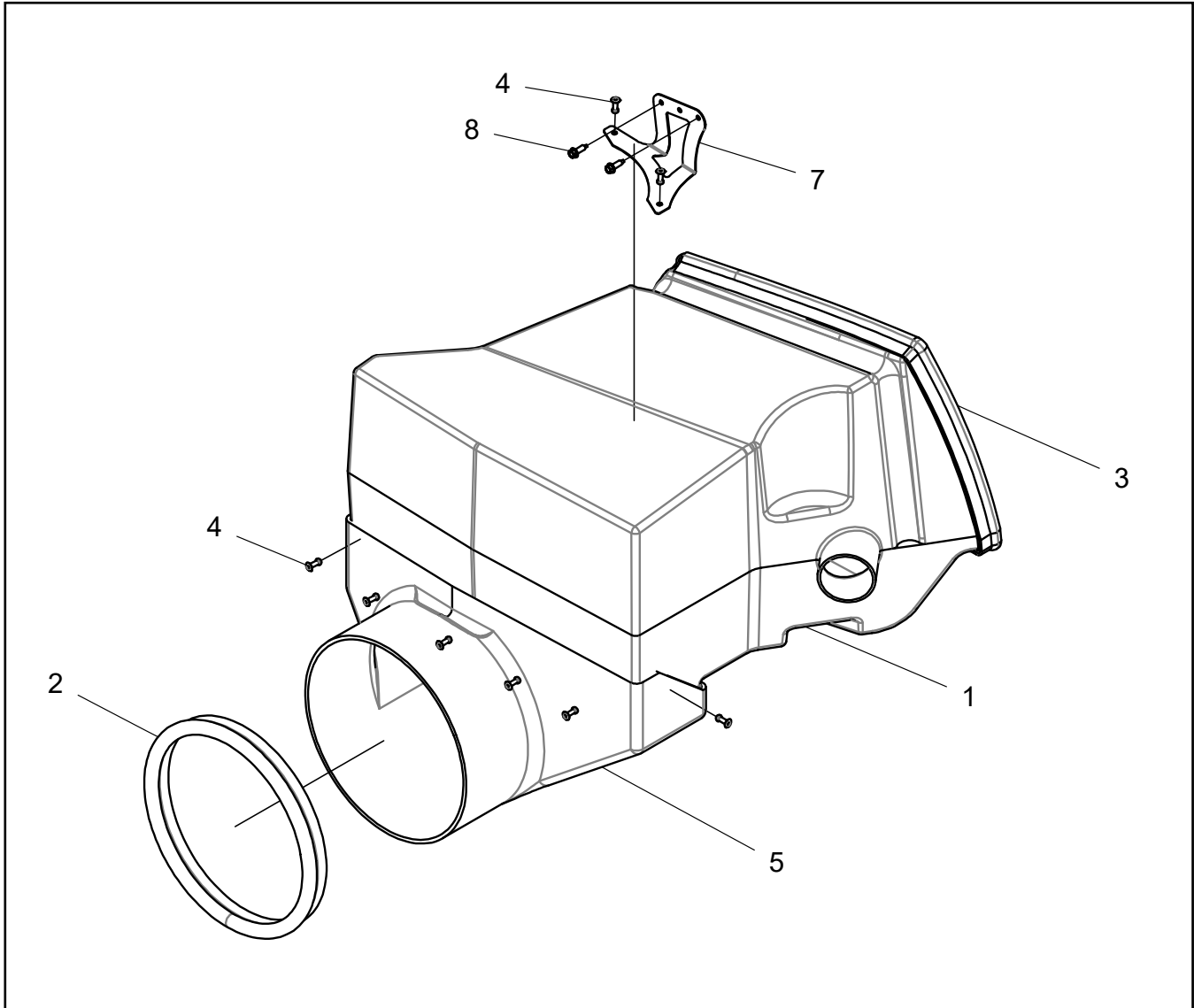
Ref.	Qty.	Part #	Description
3	4	112-276	BHCS, 5/16-18 x 0.75
5	8	120-13	Rivet - 3/16 x 3/4 Black
6	1	601-09	Trim, Vinyl - 28"
8	1	700-0003	Panel, Firewall
11	4	10055A001	Insert Nut, 5/16-18 UNC
12	3	10056A006	Unut, 5/16-18 x .025-.150 PH
14	1	10200C	Plate, Floor - Front
19	2	10304C011	Flap Seal 90 Degree - 10.75"
20	1	10315C	Fuel Tank Cover
21	4	10321C	Grip Tape 12"
24	1	700-0052	Floor Pan, Rear Frontier - 8x8
26	1	700-0050	Trim, Firewall - Right
27	1	700-0064	Trim, Firewall - Left
28	1	200-0025-030	Seal, 90 Deg Bulb - 0.43 Dia x 30
29	5	108-24	Washer .34x.70x.06 Zn
30	5	103-38	HHCS 5/16-18x1.25 Gr5 Zn
31	2	10055A011	INCT, 5/16-18x0.150-0.312 Zn
32	1	849-176-008	Weatherseal-D Strip W/Adh Back x 8"
33	1	849-176-026	Weatherseal-D Strip W/Adh Back x 26"



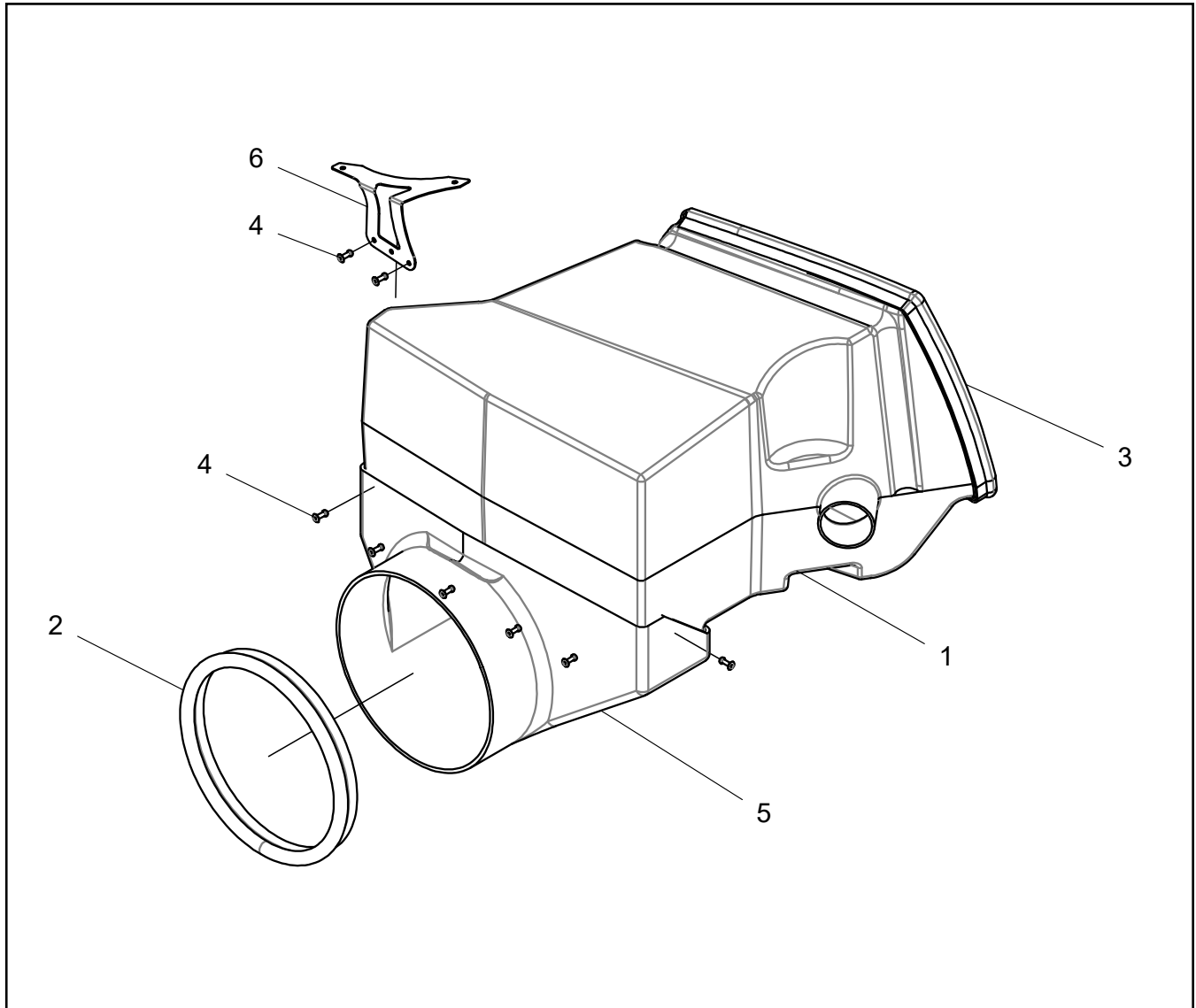
Ref.	Qty.	Part #	Description
1	6	100-01	Pin, Cotter 1/8x1.50 Zn
2	8	101-41	Bearing, Ball- 1.0
3	4	101-96	Bearing,Ball-1.25
4	8	200-0062-001	Bearing, Ball -1.375 x 72mm x 43mm
5	16	103-68	HHCS 3/8-16x2.0 Gr5 Zn
6	36	103-88	C/Bolt 3/8-16x1.0 Gr5 Zn
7	6	106-15	Retaining Ring SH-0137-PA
8	6	106-34	Retaining Ring, E-Style - 1.375"
9	4	107-10	Retaining Ring SH-0125-PA
10	16	108-27	Lockwasher 7/16 Split-Ring Zn
11	20	108-34	Washer .47x.94x.06 Zn
13	8	112-31	HHCS 3/8-16x1.0 2B Gr8 Zn
14	4	112-61	C/Bolt 3/8-16x1.25 Gr5 Zn
15	20	112-181	HHCS 7/16-20x1.75 Gr5 Zn
16	16	112-187	C/Bolt 3/8-16x2.0 Gr5 Zn
17	22	112-200	SHSS 5/16-24x5/16 Flat PT
18	64	117-118	Locknut, Nylon 3/8-16, Flanged
19	6	127-64	Spring, Torsion - .76 x 1.9
20	6	127-65	Spring, Torsion - 1.16 x 0.35
21	2	603-19	Chain RC50-2x44P - Front
22	4	606-25	Gasket, Bearing Extension
23	6	606-44	Slider Block - UHMW
24	2	606-72	Sprocket, Idler S60 x 21T
25	6	606-82	Tensioner Asy, Chain - Course
26	8	606-88	Flange Asy, Outer Bearing
27	8	606-89	Carrier, Axle Bearing
28	16	606-90	Gasket, Flange -72mm BRG
29	12	606-91	Flange, 4-Hole HD
30	8	606-92	Flange, Greaseable - 4-Hole HD
31	4	606-93	Flange, Greaseable - 90 Deg HD
32	2	642-47	Tie Down Bracket
33	4	803-57	Chain, RC60-1 x 90P
34	2	803-62	Chain RC60-1x34P-Idler- Lambda
35	2	803-65	Chain, RC50-2x80P-Middle
36	4	805-142	Sprocket, D50x25T-16/32 INT
37	8	805-143	Sprocket, S60x19T-16/32 INT
38	2	810-59	Shaft, Idler
39	4	810-112	Extension Asy, Bearing W/Nuts
40	4	810-122	Asm, Axle Forged - FR/RR
41	4	810-123	Asm, Axle Forged - Mid
42	1	10011B	Sensor, Speed
44	7	200-0005	Washer, .39 x 1.45 x .188
45	1	500-0021	Disc, Wheel Speed Sensor - 15T
46	1	500-0022	Bracket, Wheel Speed Sensor



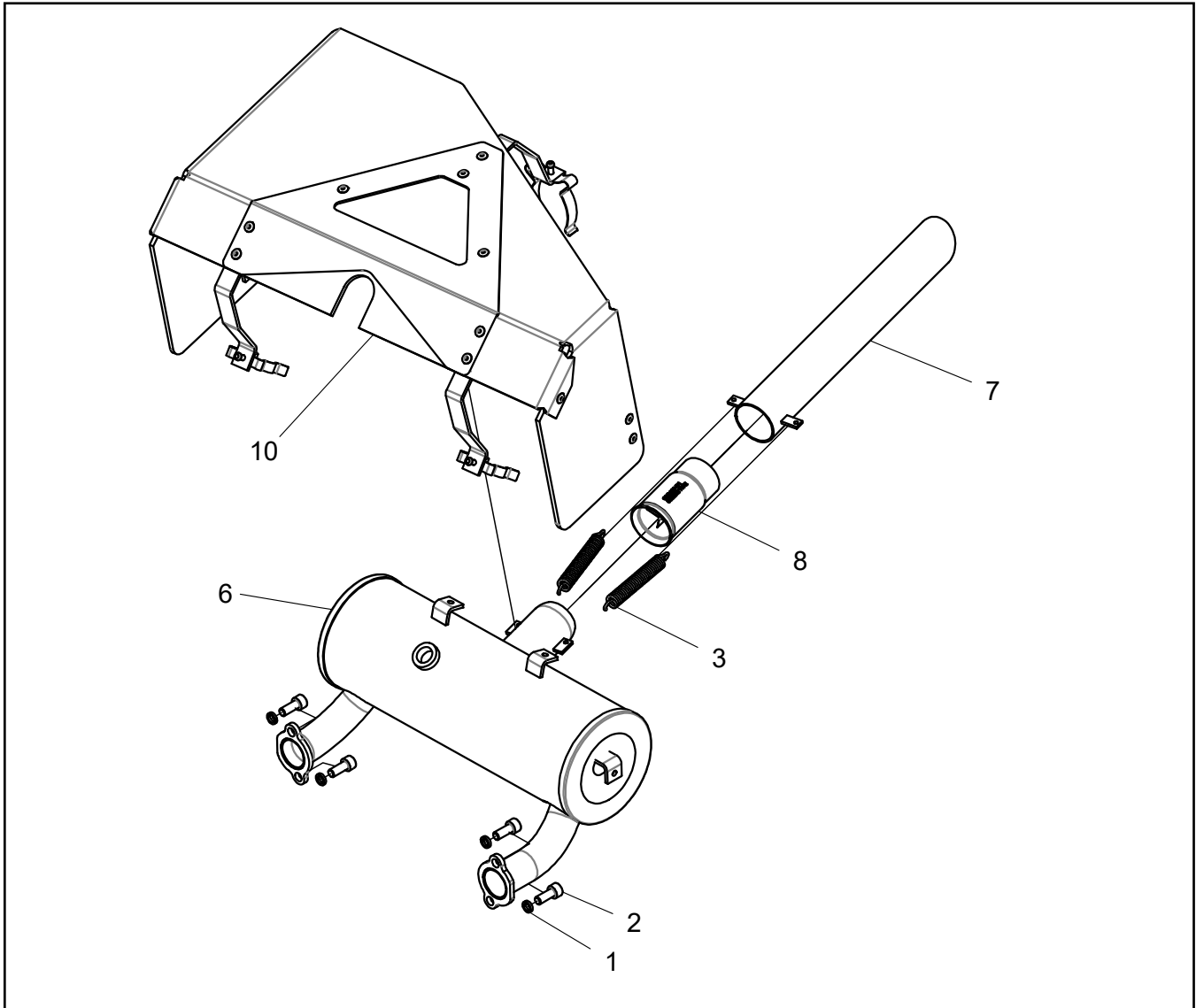
Ref.	Qty.	Part #	Description
1	4	103-08	HHCS 1/4-20x1.0 Gr5 Zn
2	6	108-08	Washer .28x.62x.07 Zn
3	2	112-04	HHCS 1/4-20x3/4 Gr5 Zn
4	2	112-78	Clamp, Hose 9/16" Black
5	4	112-79	Clamp, Hose 1/2" Black
6	4	120-13	Rivet - 3/16 x 3/4 Black
7	1	126-100	Fuel Cap, Tethered
8	2	126-102	Bumper, Recessed Hole
9	1	127-160-20	Hose, 1/4ID x 3/8OD - 20" Long
10	1	127-160-76	Tubing, 1/4 ID Clear Plastic 76"
11	1	200-0064-95	Hose, Fuel - 1/4" ID - 95"
12	1	608-69-04	Hose, Fuel - 5/16" ID, Carb 4"
13	1	608-120	Tank, Fuel Low Permeation
14	1	608-127	Pick-Up, Fuel 5/16, 105 Mesh
15	1	608-136	Grommet, Fuel Return
16	1	608-137	Plug, Push In
17	1	609-47	Valve, Rollover
18	1	609-50	Clamp, Rollover Valve
19	1	808-133	Reducer, Barbed - 5/16 to 1/4
20	6	10055A003	Insert Nut, 1/4-20 UNC
21	1	10206C	Plate, Fuel Rail
22	1	10320C	Brkt, Tank Hold Down
23	2	10639C	Clamp, 1-Ear 58.8-62 mm
24	1	10251C	Hose, Fuel Fill
25	1	10253C	Wldt, Fuel Fill Neck



Ref.	Qty.	Part #	Description
1	1	400-0032	Duct, Upper Intake - Frontier
2	1	807-77-31	Seal, Bulb - 31"
3	1	807-77-40	Seal, Bulb - 40"
4	14	120-14	Rivet - 3/16 x 5/8 Black
5	1	400-0031	Duct, Lower Intake - 8x8 FRN B&S
7	1	300-0183	Bracket, Air Duct Support
8	2	112-102	Screw, Self Drill 12-14 x 3/4"

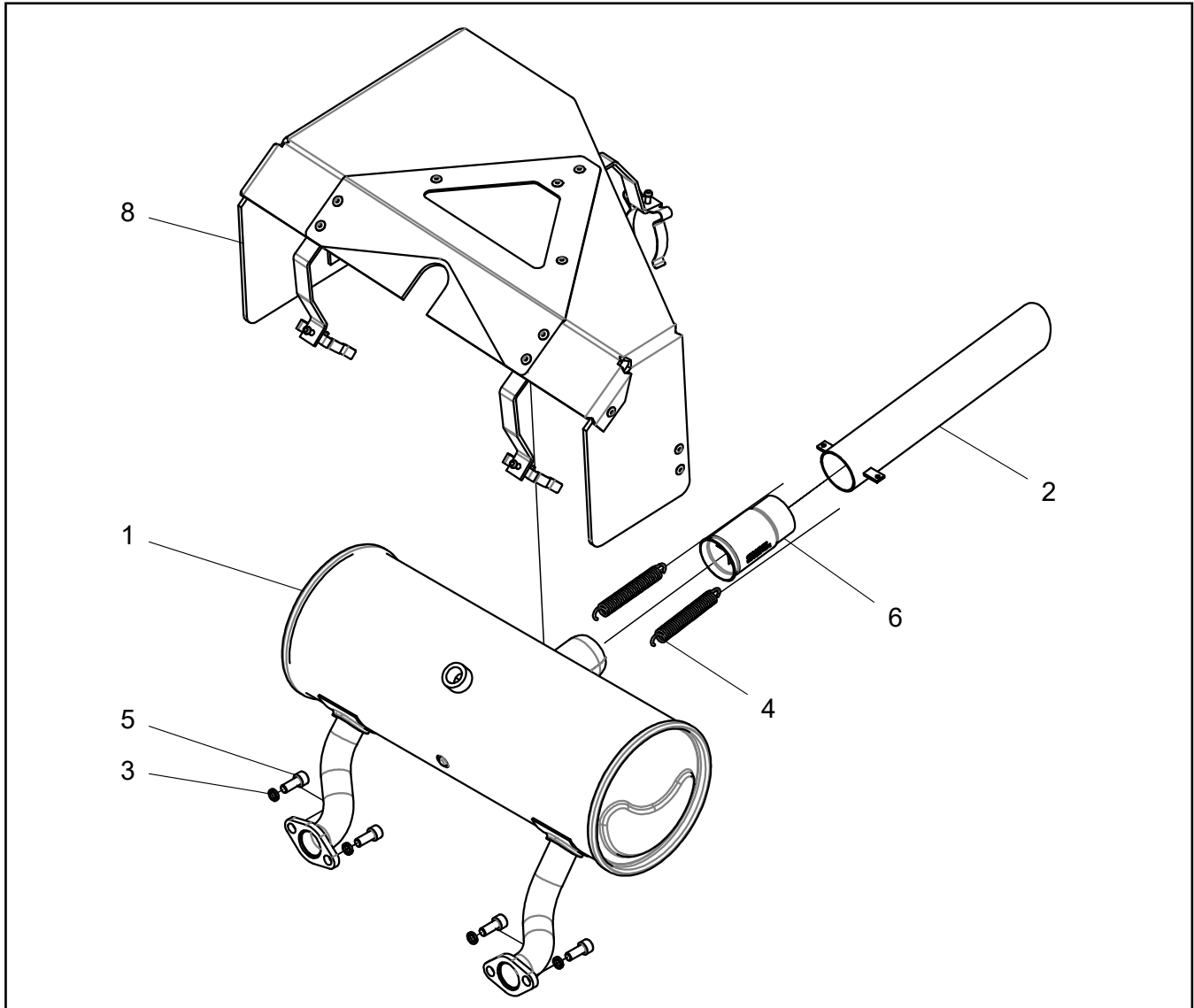


Ref.	Qty.	Part #	Description
1	1	400-0032	Duct, Upper Intake - Frontier
2	1	807-77-31	Seal, Bulb - 31"
3	1	807-77-40	Seal, Bulb - 40"
4	14	120-14	Rivet - 3/16 x 5/8 Black
5	1	400-0030	Duct, Lower Intake - 8x8 FRN Kohler
6	1	300-0183	Bracket, Air Duct Support

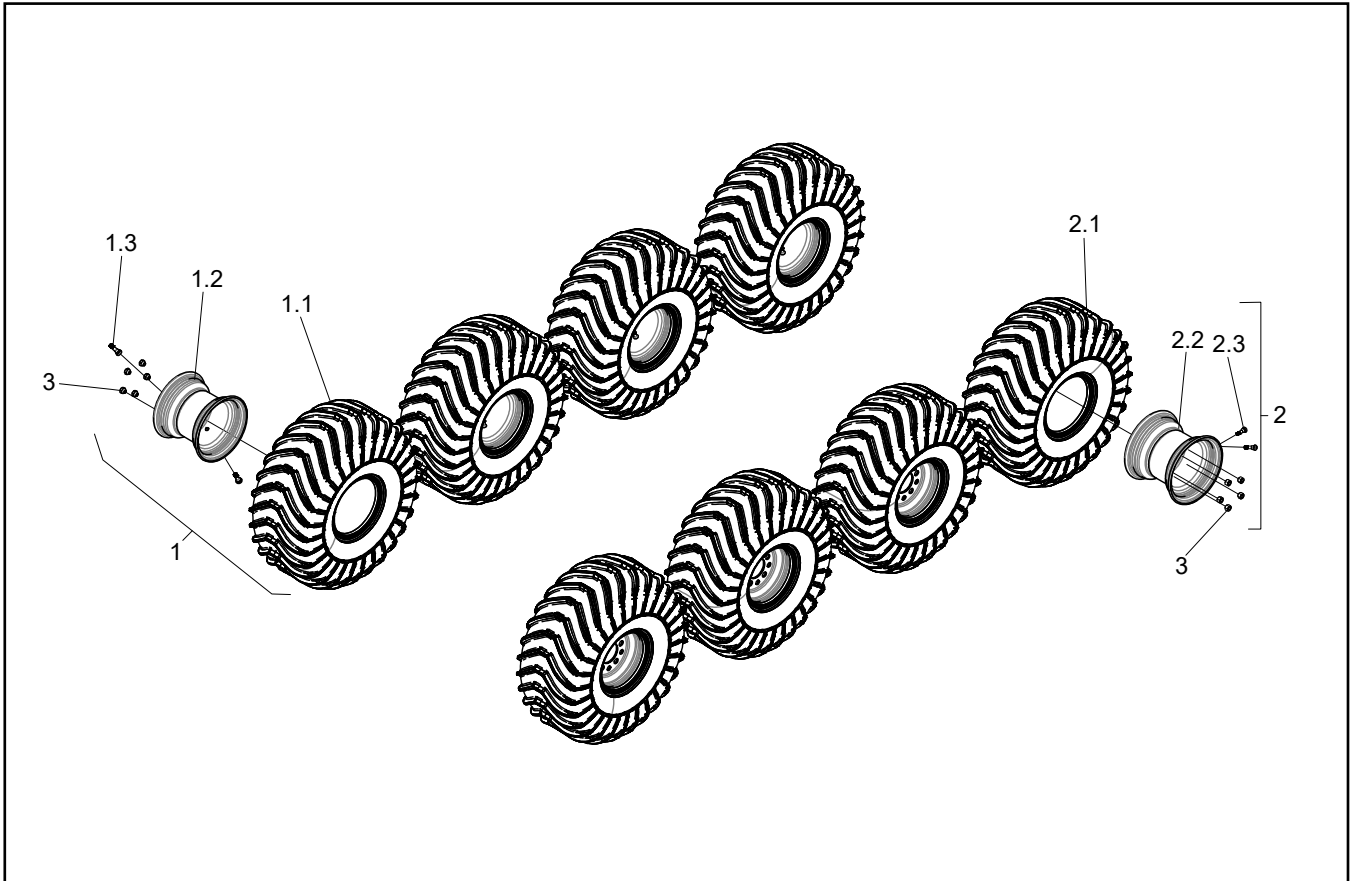


Ref.	Qty.	Part #	Description
1	4	108-02	Lockwasher 5/16 Hi-Collar Bare
2	4	112-30	SHCS M8x1,25x20mm Zn
3	2	127-187	Spring, Ext 17/32 x 3.75
6	1	807-135	Muffler, B&S 23HP Weld Assy
7	1	400-0035	Wldt, Tail Pipe
8	1	400-0019	Spark Arrestor Assembly
9	1	300-0257	Wldt, Exhaust Screen - Kohler
10	1	400-0038	Shield Asm, Muffler

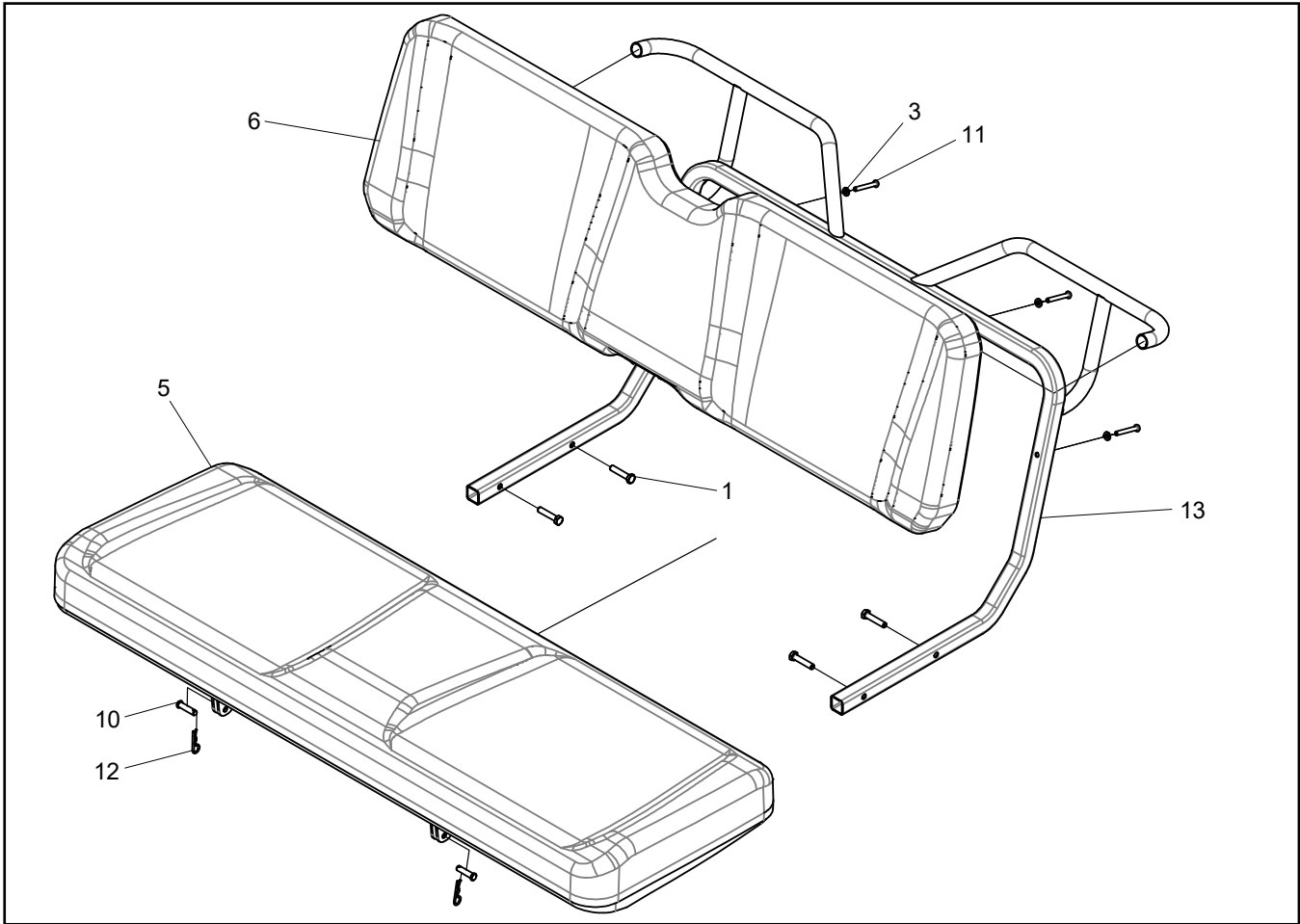
2021 Frontier 8x8 Parts Manual 8.1 Exhaust System Kohler 23HP



Ref.	Qty.	Part #	Description
1	1	607-212	Muffler, Kohler Aegis - Ees
2	1	400-0009	Wldt, Tail Pipe
3	4	108-02	Lockwasher 5/16 Hi-Collar Bare
4	2	127-187	Spring, Ext 17/32 x 3.75
5	4	112-30	SHCS M8x1,25x20mm Zn
6	1	400-0019	Spark Arrestor Assembly
8	1	400-0038	Shield Asm, Muffler



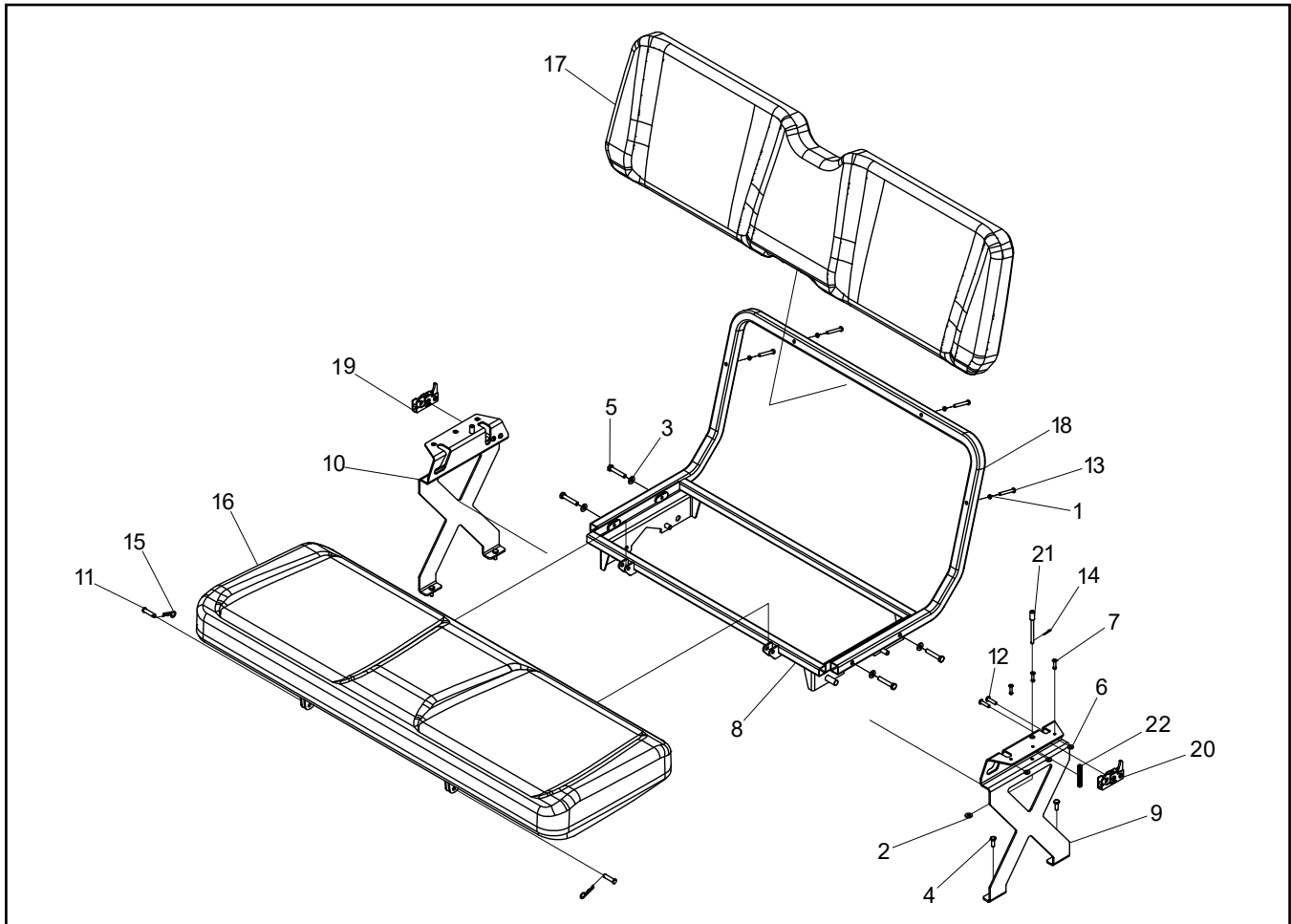
Ref.	Qty.	Part #	Description
1	4	10011CVRT	Wheel Asm, XT117 24x10-8 STL - Right
1.1	1	10002C	Tire, 24 x 10- 8 XT117
1.2	1	10005C	Rim, 8 x 7 Steel
1.3	2	125-26A	Valve, Tire - Unassembled
2	4	10011CVLT	Wheel Asm, XT117 24x10-8 STL - Left
2.1	1	10002C	Tire, 24 x 10- 8 XT117
2.2	1	10005C	Rim, 8 x 7 Steel
2.3	2	125-26A	Valve, Tire - Unassembled
3	40	117-35	Nut, Wheel 7/16-20 Zn



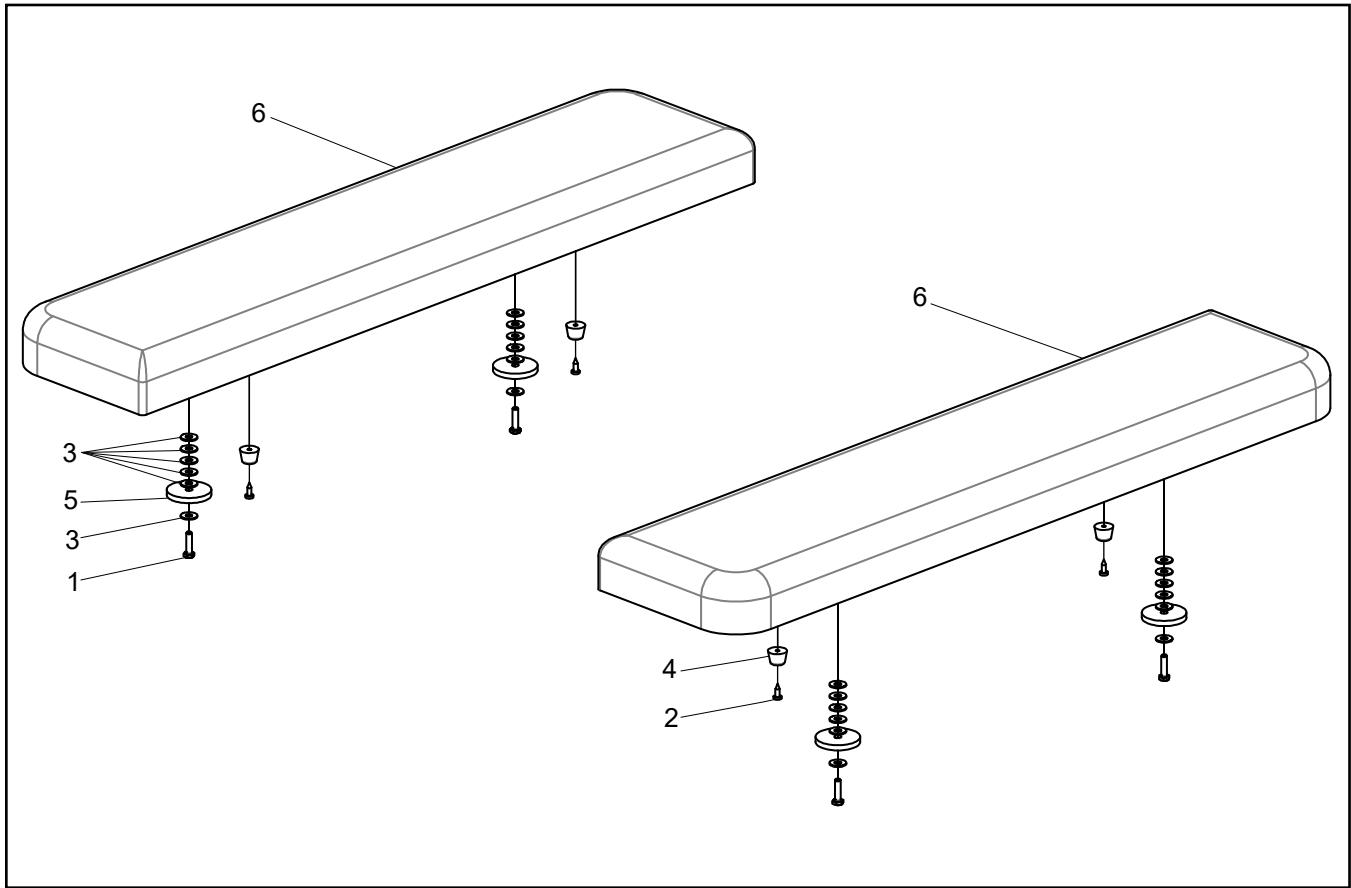
Ref.	Qty.	Part #	Description
1	4	103-57	HHCS 5/16-18x1.5 Gr5 Bnz
3	4	108-03	Lockwasher 1/4 Split Ring Zn
5	1	10339C	Seat, Bench - Formed
6	1	10340C	Seat, Backrest - Formed
10	2	10077A001	Pin, Clevis 5/16x1.25 Zn
11	4	10156A045	BHCS, M6x1.0x45 Gr8.8 Bnz
12	2	10171A002	Pin, Hairpin Ø0.093 1/4-5/16 Shaft ZP
13	1	300-0175	Tube Wldt, Backrest Frame
14	2	867-17	Plug, OD 7/8" ID 0.685"-Black

10.1 Seat - Rear

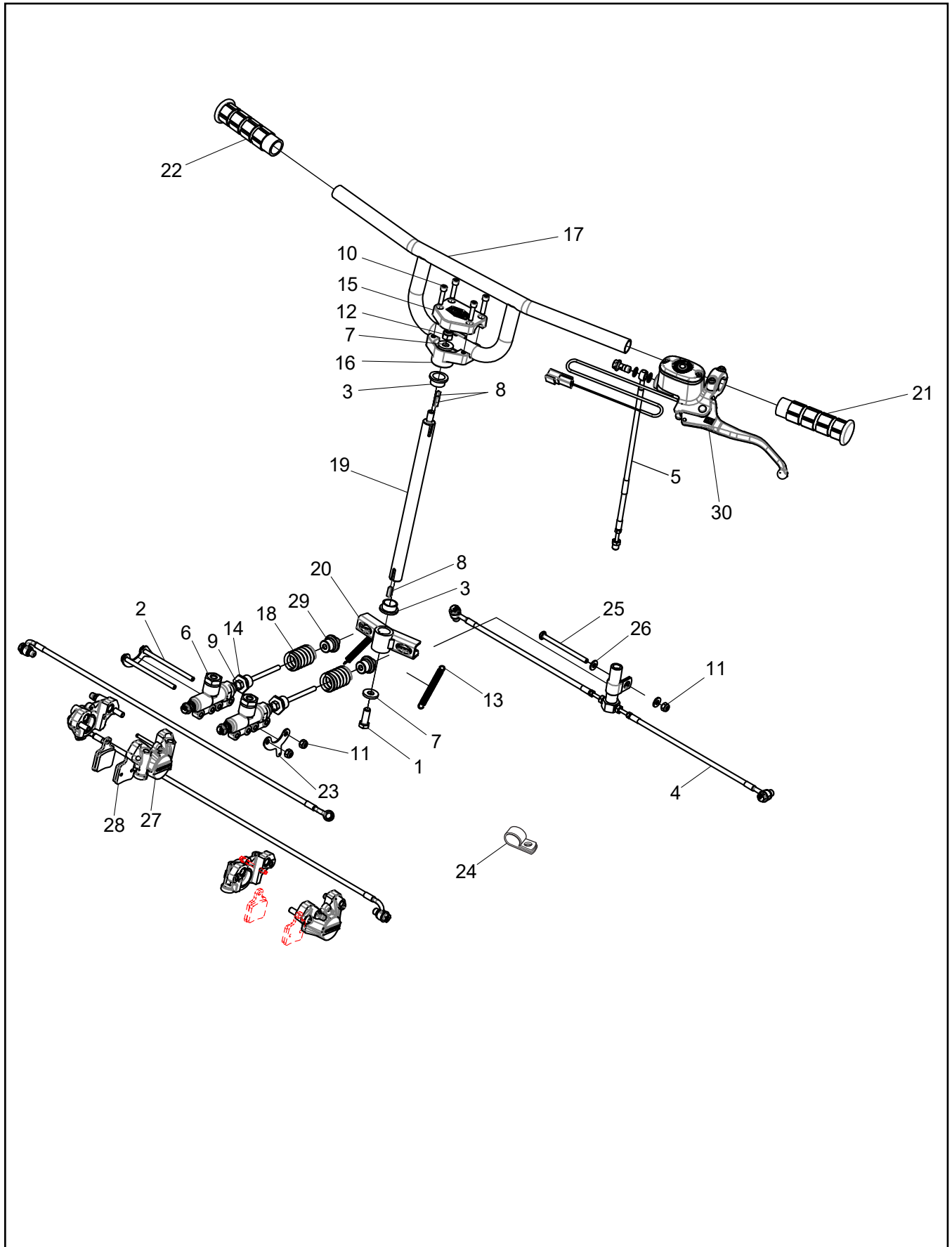
2021 Frontier 8x8 Parts Manual



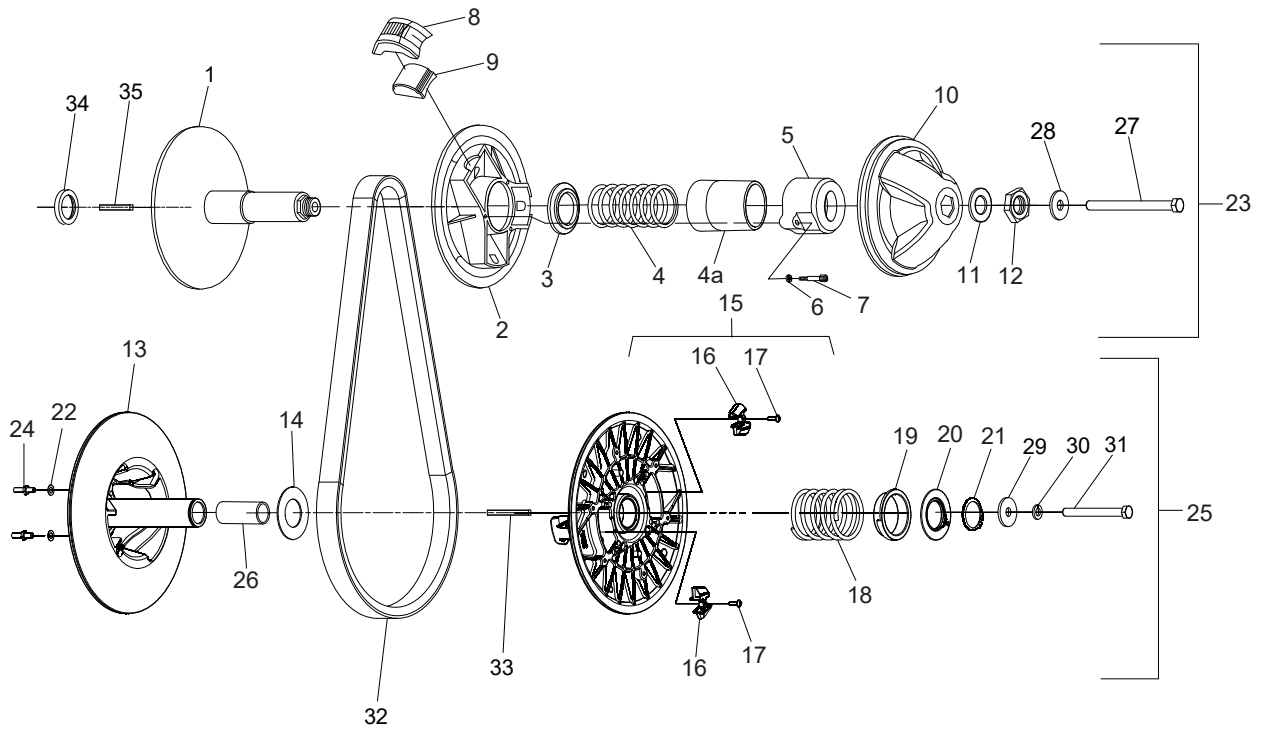
Ref.	Qty.	Part #	Description
1	4	108-03	Lockwasher 1/4 Hi-Collar Bare
2	2	108-08	Washer .28x.62x.07 Zn
3	4	108-24	Washer .34x.70x.06 Zn
4	4	112-04	HHCS 1/4-20x3/4 Gr5 Zn
5	4	112-27	HHCS 5/16-18x1.75 Gr5 Zn
6	6	120-04	Washer .19x.50x.08 Zn
7	6	120-09	Rivet - 3/16 x 1.0 Black
8	1	300-0094	Rear Seat Frame Weldment
9	1	300-0095	Brkt, Rear Seat Side Spprt - Left
10	1	300-0096	Brkt, Rear Seat Side Spprt - Right
11	2	10077A001	Pin, Clevis 5/16x1.25 Zn
12	4	10153A100	BHCS, 1/4-20-1 Gr5 Bnz
13	4	10156A045	BHCS, M6x1.0x45 Gr8.8 Bnz
14	2	10171A001	Pin, Hairpin Ø0.042 3/16-1/4 Shaft Zp
15	2	10171A002	Pin, Hairpin Ø0.093 1/4-5/16 Shaft Zp
16	1	10339C	Seat, Bench - Formed
17	1	10340C	Seat, Backrest - Formed
18	1	10341C	Tube, Backrest Frame
19	1	10403C	Rotary Latch - Right
20	1	10404C	Rotary Latch - Left
21	2	10406C	Pin, Rear Seat Popper
22	2	10407C	Spring, Compression - Rear Seat



Ref.	Qty.	Part #	Description
1	4	103-08	HHCS 1/4-20x1.0 Gr5 Zn
2	4	103-48	T/S Pan Hd Phil #10x5/8 A BLK
3	24	108-25	Washer .31x.75x.06 Zn
4	4	126-79	Bumper, Plastic - Black
5	4	603-15	Washer, Plastic 5/16 Hole
6	2	700-0008	Seat Asm, Rear Side - 8x8

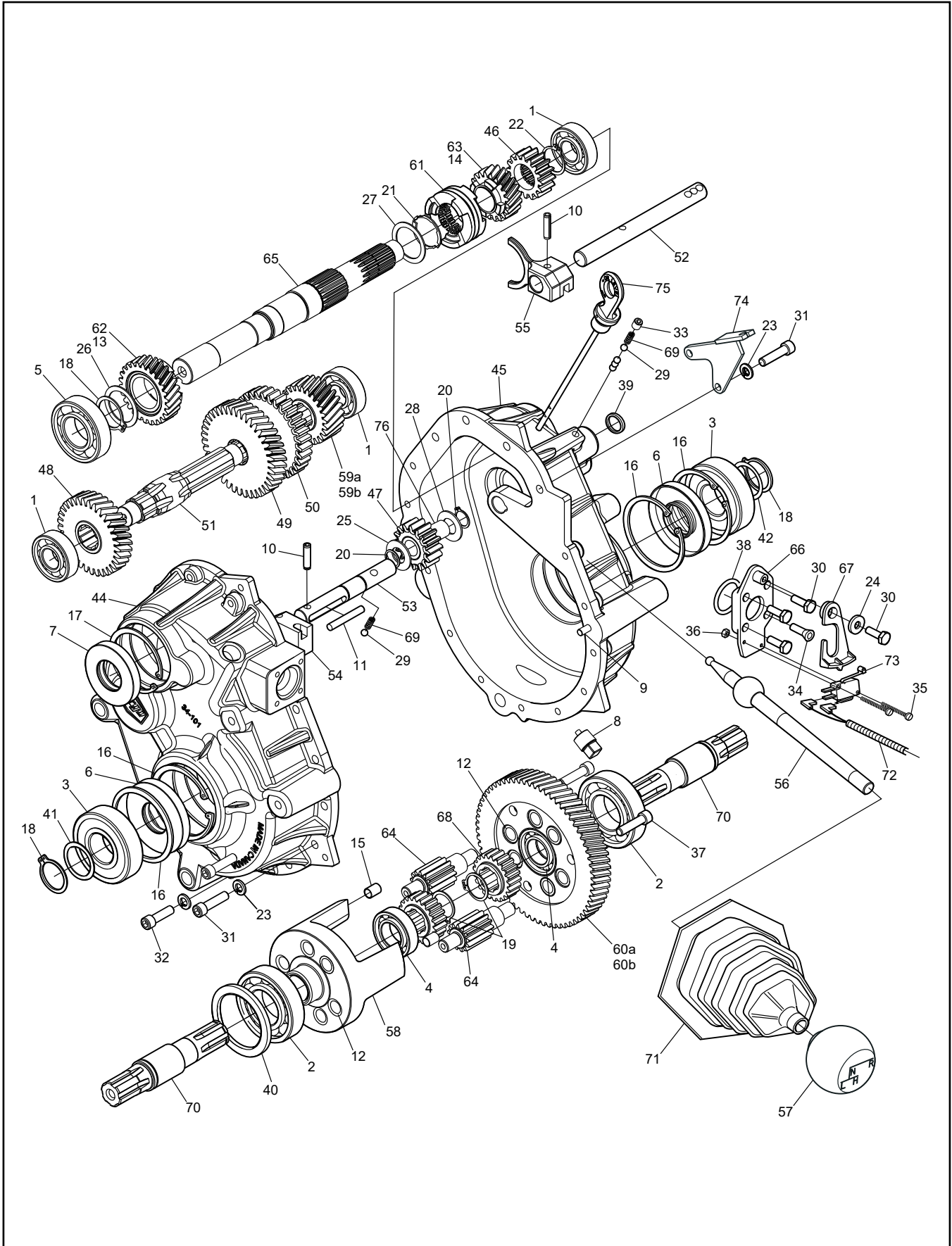


Ref.	Qty.	Part #	Description
1	1	103-17	HHCS 3/8-16x1.0 Gr5 Bnz
2	2	103-66	HHCS 1/4-20x4.0 Gr5 Zn
3	2	105-16	Bushing, Oilite - 3/4 x 1/2
4	2	10324C	Brake Line, Prop. Valve to RMCI
5	1	10325C	Brake Line, HBMC to Prop Valve
6	2	10373C	RMCI Assembly
7	2	108-47	Washer .39x.94x.13 Zn Di-Chro
8	3	110-17	Key, 3/16 x 3/16 x .625
9	2	10576C	Nut, Jam
10	4	112-47	SHCS 1/4-20x1.0 Zn
11	3	117-27	Locknut, Nylon 1/4-20 Zn
12	1	117-29	Locknut, Nylon 3/8-16 Bnz
13	2	127-194	Spring, Ext .360 x 3.0
14	2	10575C	Spring Perch
15	1	612-105RM	Clamp, Upper Handlebar-RM
16	1	612-106	Clamp, Lower Handlebar
17	1	612-107	Handlebar Asm
18	2	10371C	Steer Spring
19	1	10311C	Shaft, Steering
20	1	10379C	Steering Arm
21	1	10507C	Handle Bar Grip, Left
22	1	10508C	Handle Bar Grip, Right
23	2	300-0256	Bracket, Spring Retainer
24	1	200-0038-001	Clamp, P - Steel/Vinyl
25	1	103-111	HHCS 1/4-20x3.5 Zn
26	2	108-08	Washer .28x.62x.07 Zn
27	2	10375C	Steer Brake Caliper
28	2	10374C	Brake Pads & Pim - Steer Brakes
29	2	10372C	Spring Bullnose
30	1	10326C	Handle Bar Brake Lever/ Master Cylinder
31	1	10000B	Switch, Left Hand Controls (not shown)



* Note: For High Elevation Operation (above 3000 ft) see Bulletin NP #5 regarding Clutch Weight Sets.

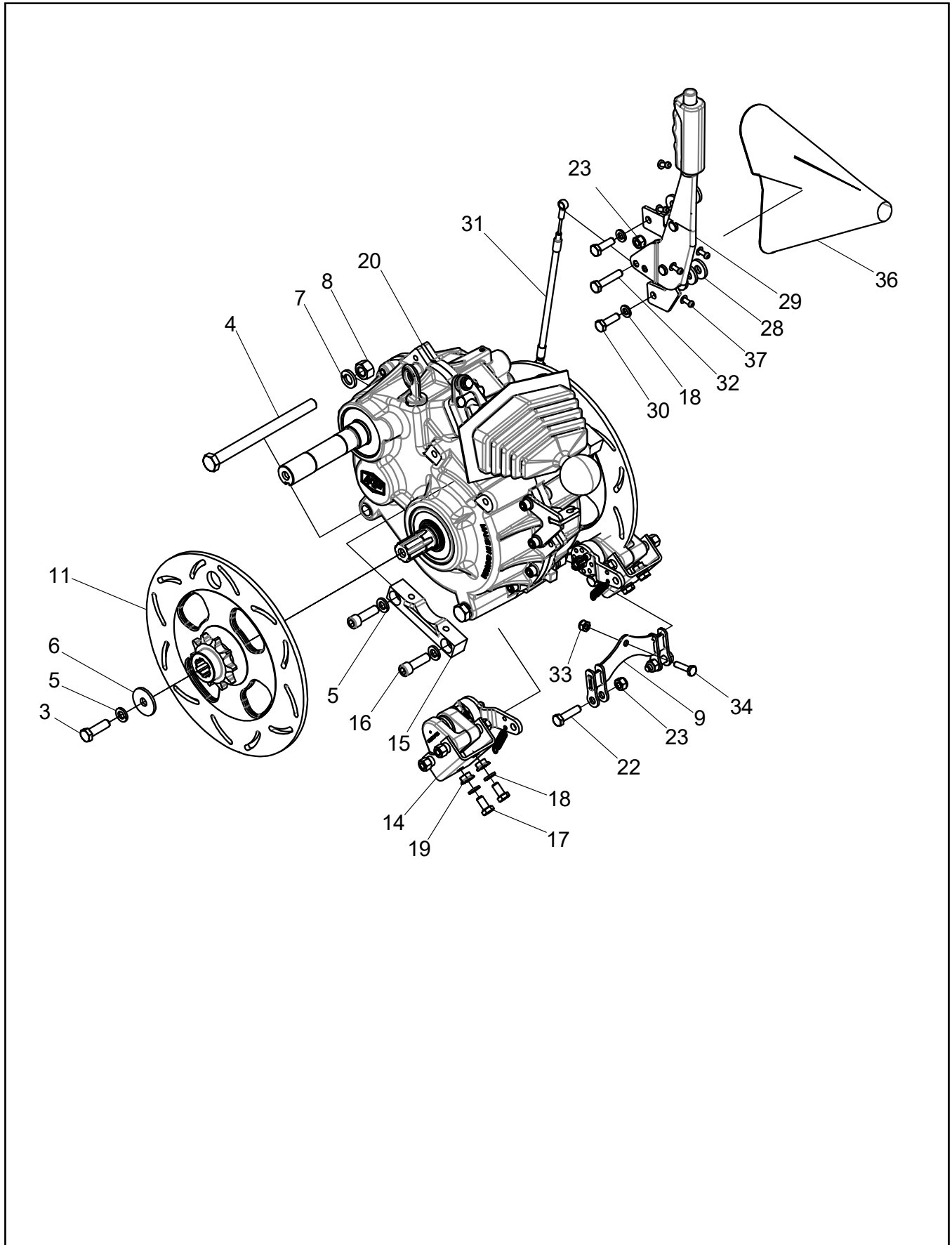
Ref.	Qty.	Part #	Description
1	1	0405-0139	Flange, Fixed
2	1	0410-0033	Flange, Sliding
3	1	0150-1014	Spring Guide Washer
4	1	1151-1114	Spring
4a	1	0450-3002	Guide, Spring
5	1	0440-0005	Spring Cover
6	3	0080-0167	Lockwasher
7	3	0080-0021	Screw, Cap
8	3	0130-3012	Block
9	3	0135-3065	Weight (275gr)
	1	127-208	Weight Set (3), 185g - High Elevation (*See Note)
	1	127-209	Weight Set (3), 220g - High Elevation (*See Note)
	1	127-210	Weight Set (3), 240g - High Elevation (*See Note)
10	1	0115-2061	Cap
11	1	0080-0804	Washer, Zn
12	1	V16J1	Nut
13	1	5905-0003	Flange, Fixed
14	1	0080-0164	Washer, Shim
15	1	5910-0002	Flange, Sliding
16	3	5930-3001	Cam Shoe
17	2	0080-0031	Screw
18	1	5951-1009	Spring
19	1	5950-3003	Spring Protector
20	1	5950-3002	Spring Support
21	1	0080-0216	Retaining Ring, Outside
22	2	0080-0167	Lockwasher
23	1	500-0006	Clutch, Driver - 650/700
24	2	0080-0035	Screw & Nut Ass'y
25	1	127-156	Clutch, Driven - In Vance
26	1	5940-2001	Keyway Stopper
27	1	112-160	HHCS 7/16-20x5.0 Lg
28	1	108-58	Washer .156x.375x.047 Zn
29	1	108-46	Washer .40x1.37x.12 Hi-Carbon
30	1	108-06	Lockwasher 3/8 Split-Ring Bnz
31	1	112-164	HHCS 3/8-16x3.5 Gr5 Zn
32	1	127-159HD	Drive Belt - 31 x 1134 - Heavy Duty
	or	127-159	Drive Belt - 29.6 x 1116
33	1	110-03	Key 1/4x3/16x2.375 RC46
34	1	108-84	Washer, Engine, Clutch
35	1	110-18	Key, 1/4 x 1/4 x 1 3/4 45RC



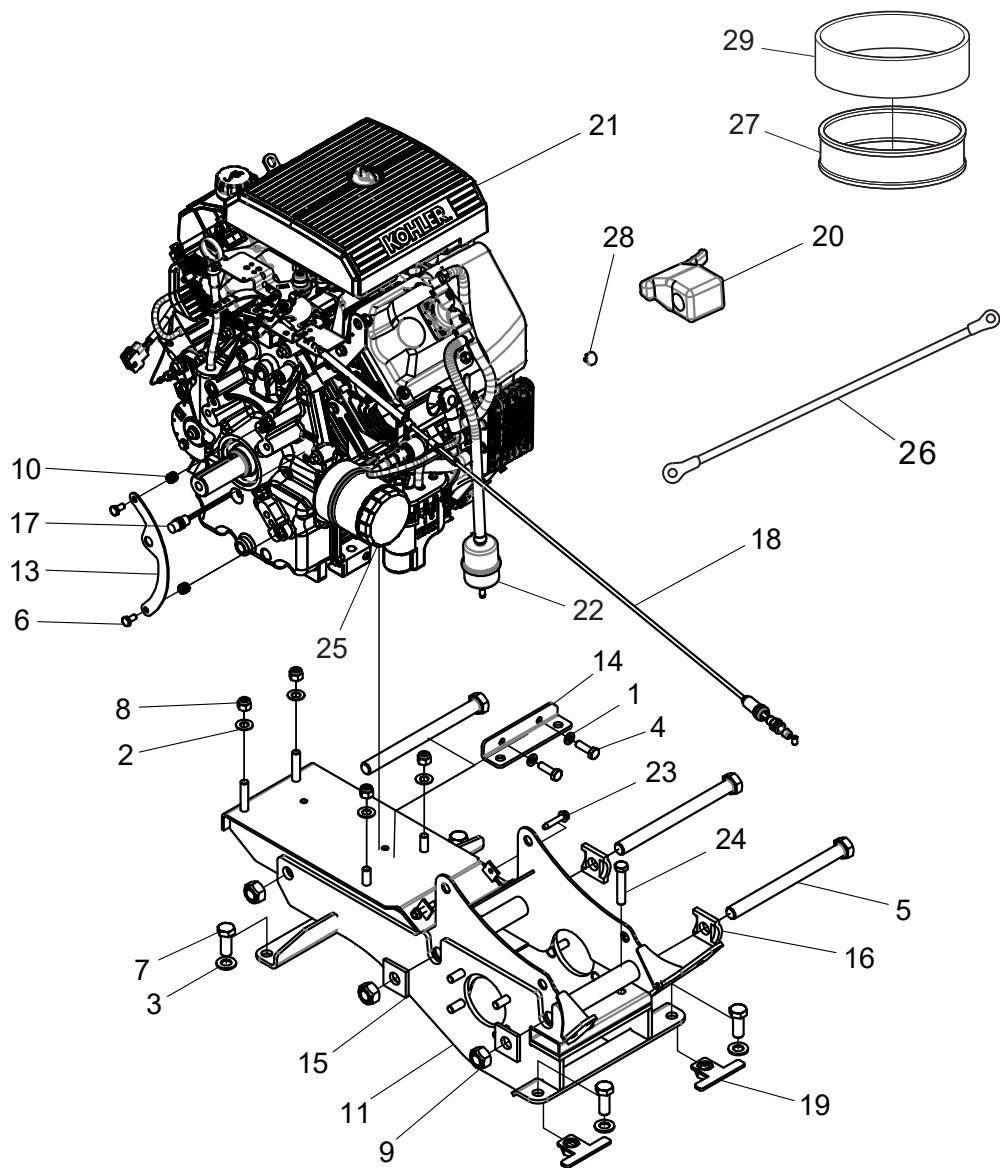
2021 Frontier 8x8 Parts Manual

13.0 Transmission

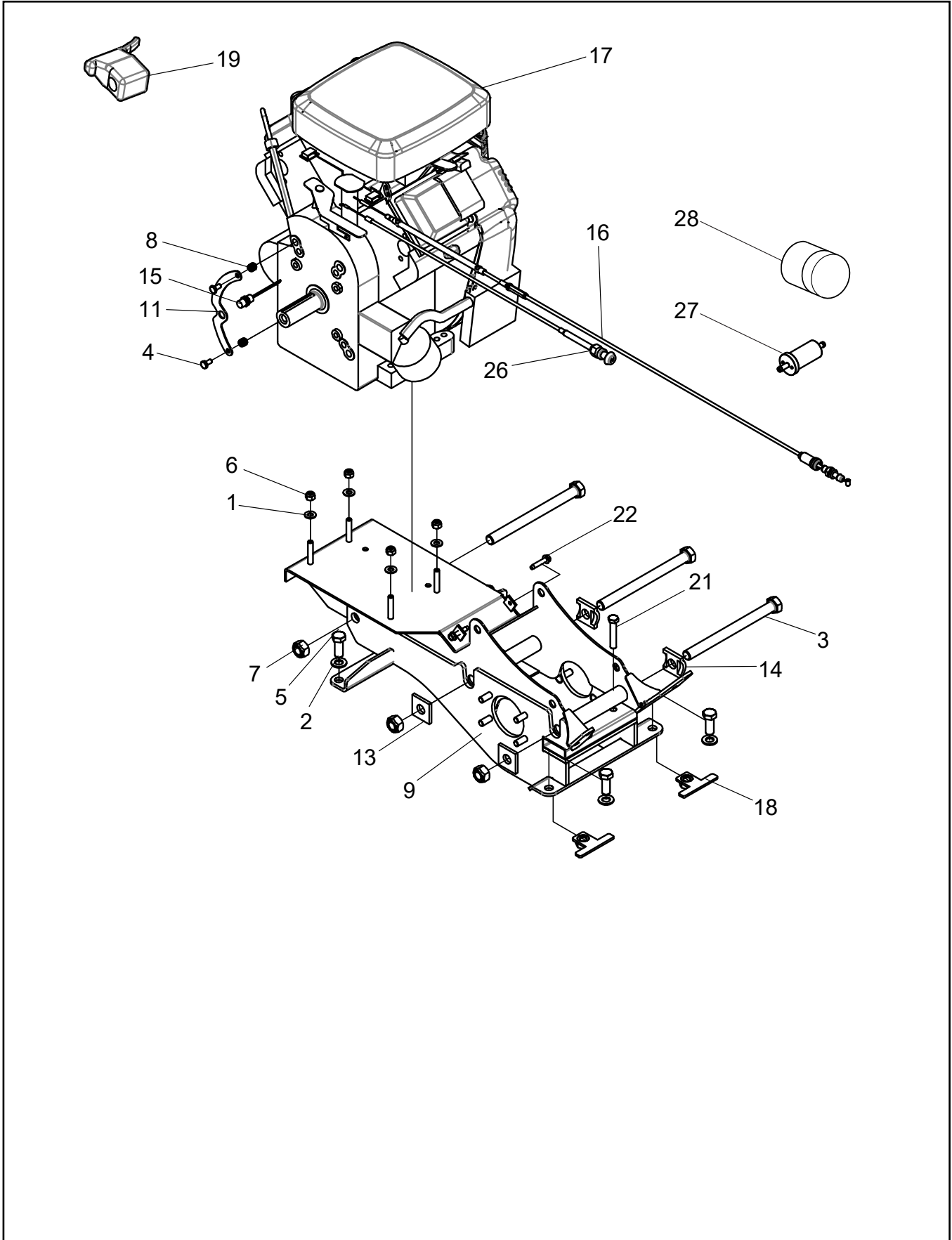
Ref.	Qty.	Part #	Description	Ref.	Qty.	Part #	Description
1	3	101-01	Bearing, Ball 6204Z-C3	40	1	114-01	Washer, Shim
2	2	101-03	Bearing, Ball 6207-C3	41	1	114-04	Washer, Shim 1.19x1.50x.04
3	2	101-05	Bearing, Sing Ball 6306L LU-C3/2A	42	1	114-05	Washer, Shim 1.19x1.50x.02
4	2	101-15	Bearing, Ball 6005-C3	43	1.1L	125-99	Transmission Oil (not shown)
5	1	101-16	Bearing, Ball 6206-C3	44	1	34-101	Housing, Left Trans.-Mach.
6	2	102-03	Seal,Oil WBS 30x72x10 NB D/Lip	45	1	34-102	Housing, Right Trans-Mach.
7	1	102-05	Seal,Oil WBS 30x62x10 NB D/Lip	46	1	34-107	Pinion, Reverse - 16T
8	1	103-02	Plug, Magnetic 3/8-18NPT SQ.HD	47	1	34-108	Idler, Reverse - 16T
9	2	104-03	Pin, Dowel 1/4x7/8	48	1	34-109	Gear, High - 33T
10	2	104-39	Pin, Spring - 1/4 x1.0	49	1	34-110	Gear, Low - 39T
11	1	104-40	Pin, Dowel - 1/4 x 1.75	50	1	34-111	Gear, Reverse - 33T
12	12	105-03	Oilite Bushing	51	1	34-112	Shaft, Splined
13	1	105-20	Bushing, Oilite 1.25x1.5x.625 (Part of 34-128)	52	1	34-113	Shaft, Shift - Forward
14	1	105-21	Bushing, Oilite 1.0x1.125x.875 (Part of 34-129)	53	1	34-114	Shaft, Shift - Reverse
15	3	105-23	Bushing, Dowel - .312 x .5	54	1	34-115	Block, Shift
16	4	106-03	Retaining Ring HO-281PA	55	1	34-116	Fork, Shift - Mach.
17	1	106-05	Retaining Ring HO-244-PA	56	1	34-117	Lever, Shift
18	3	107-02	Retaining Ring SH-0118-PA	57	1	34-344	Knob, Shift - Plain
19	2	107-04	Retaining Ring SH-0098-PA	58	1	34-122	Cage, Differential
20	2	107-11	Retaining Ring PO-0062-PA	59a	1	34-125	Pinion, Helical - 21T (3.3)
21	2	107-14	Retaining, Ring LC-0125-PA	59b	1	34-123	Pinion, Helical - 25T (std)
22	1	107-15	Retaining Ring SHR-98-PA	60a	1	34-124	Gear Plate - 66T (std)
23	15	108-05	Lockwasher 5/16 Split-Ring	60b	1	34-126	Gear Plate - 70T (3.3)
24	1	108-08	Washer .28x.62x.07	61	1	34-127	Clutch, Dog
25	1	108-78	Washer, Thrust .63x1.19x .063	62	1	34-128	Pinion, High - 26T
26	1	108-79	Washer, Thrust 1.25x1.63x.050	63	1	34-129	Pinion, Low - 20T
27	1	108-85	Washer, Retaining Thrust	64	6	34-13	Gear, Planet - 12T
28	1	108-88	Washer, Retaining Thrust	65	1	34-130	Shaft, Input-19/15T Spline
29	5	109-05	Ball, Steel 6mm 62-67 Rc	66	1	34-131	Plate, Shifter/Neutral Start
30	4	112-04	HHCS 1/4-20 x 3/4 Gr2 Zn	67	1	34-132	Follower, Neutral Start
31	14	112-143	SHCS 5/16 x 1.25 Zn	68	2	34-14	Sun Gear
32	1	112-144	SHCS 5/16 x 1.0 Zn	69	2	34-32	Spring, Comp. 0.22x.50
33	1	112-145	SHSS 5/16-18 x 3/8	70	2	34-98	Shaft, Output
34	1	112-171	FHSC 1/4-20 x 3/4 Gr2 Zn	71	1	609-38	Boot, Shifter
35	2	112-172	SHMS, #5-40x3/4, Zn	72	1	613-112	Wire Harness,Neutral Safety
36	2	112-173	Locknut, #5-40, Zn	73	1	809-202	Switch, Limit - 2 Pole
37	3	112-64	SHCS 5/16-18x1.25	74	1	850-72	Bracket, Park Brake Cable
38	1	113-11	O-Ring #AS568-216-70BN	75	1	CE-035	Dipstick w/Breather
39	1	113-16	O-Ring #AS568-014-70BN	76	1	101-06	Bearing Needle,Timken BH- 1012



Ref.	Qty.	Part #	Description
3	2	103-18	HHCS 3/8-24x1.25 Gr5 Zn
4	2	103-20	HHCS 1/2-13x6.50 Gr5 Zn
5	6	108-06	Lockwasher 3/8 Split-Ring Zn
6	2	108-18	Washer .40x1.37x.12 Zn
7	2	108-107	Lockwasher 1/2 Split-Ring Zn
8	2	117-06	Nut, Fin Hex 1/2-13 Zn
9	1	300-0054	Bar, Equalizer
11	2	606-74	Disc, Brake - #60-10T Sprocket
13	1	800-0007	Caliper, Park Brake - Right
14	1	800-0008	Caliper, Park Brake - Left
15	2	10307C	Mount, Brake Caliper
16	4	103-41	SHCS 3/8-16x1.25 Zn
17	4	103-28	HHCS 5/16-18x5/8 Gr5 Zn
18	6	108-05	Lockwasher 5/16 Split-Ring Bnz
19	4	112-277	Locknut, Serrated Flange 5/16-18 Zn
20	1	500-0015	Transmission, Classic - 2.6
	1	500-0016	Transmission, Classic - 3.3
22	2	103-38	HHCS 5/16-18x1.25 Gr5 Zn
23	3	117-127	Locknut, Nylon 5/16-18 ZP
25	1	10119B	Switch, Micro Roller Lever Long
26	2	112-172	SHCS 5-40x3/4 Zn
27	2	112-173	Locknut, #5-40, Zn
28	6	108-47	Washer .39x.94x.13 Zn Di-Chro
29	1	809-147	Lever, Parking Brake
30	2	103-06	HHCS 5/16-18x1.0 Gr5 Zn
31	1	800-0009	Cable, Parking Brake - Dash
32	1	103-57	HHCS 5/16-18x1.5 Gr5 Zn
33	1	117-27	Locknut, Nylon 1/4-20 Zn
34	1	103-08	HHCS 1/4-20x1.0 GR5 Zn
36	1	700-0067	Boot, Parking Brake Handle
37	6	120-13	Rivet - 3/16 x 3/4 Black



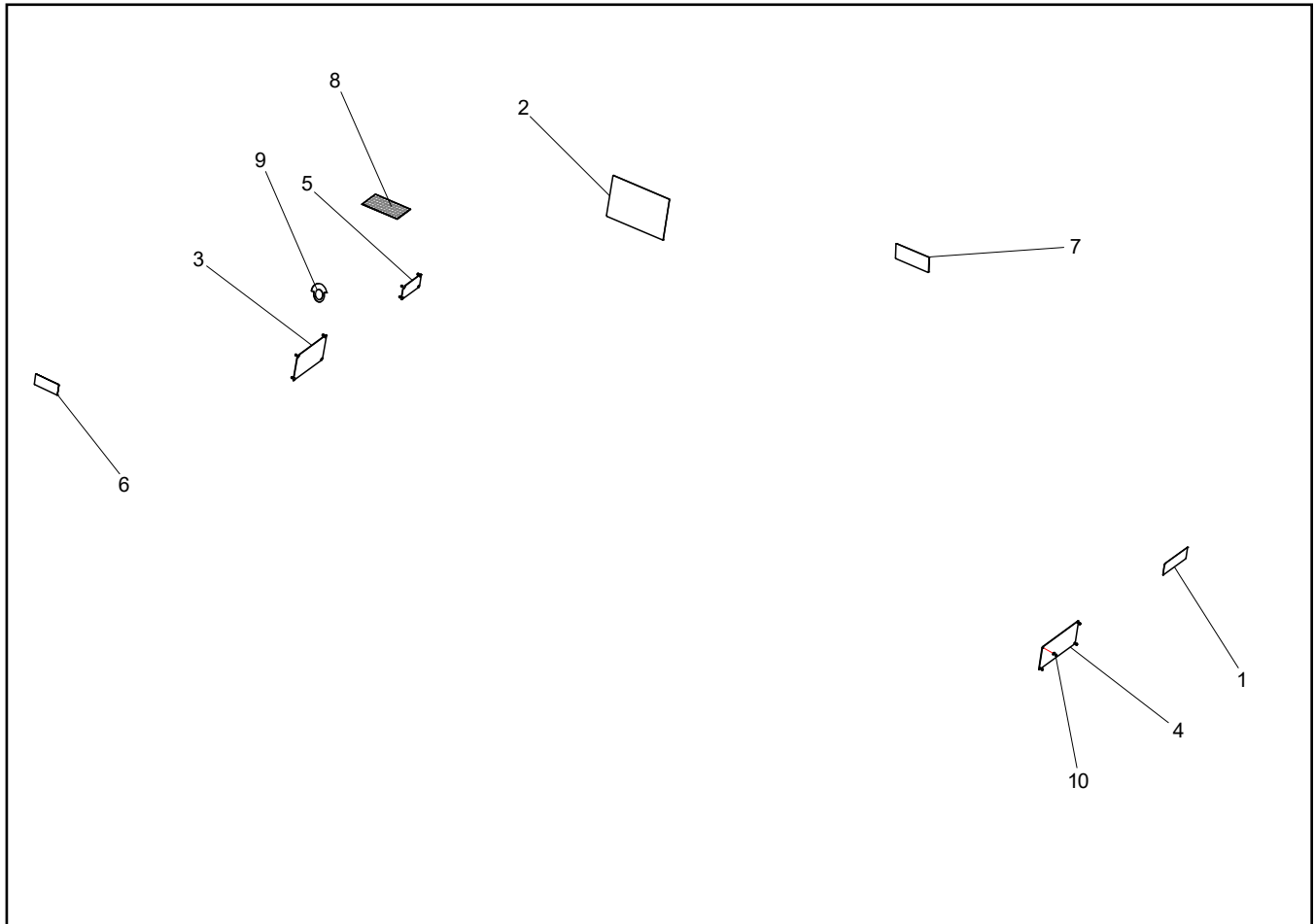
Ref.	Qty.	Part #	Description
1	2	108-05	Lockwasher 5/16 Split-Ring Bnz
2	4	108-15	Washer .42x.81x.05 Zn
3	4	108-103	Washer, 0.51x0.94x0.10, Zn
4	2	112-20	HHCS M8x1,25x25mm Zn
5	3	112-58	HHCS 5/8-11x7.5 Gr5 Zn
6	2	112-153	HHCS 1/4-20x1/2" Gr8 Zn
7	4	112-189	HHCS 1/2-13x1.25 Gr5 Zn
8	4	117-29	Locknut, Nylon 3/8-16 Bnz
9	3	117-83	Locknut, Stover 5/8-11 Zn
10	2	200-0006	Insert, 7/16-14 Ext - 1/4-20 Int
11	1	300-0033	Wldt, Pwr Pack - 8x8 Classic
12	1	300-0049	Wldt, Powerpack - Kohler
13	1	300-0099	Bracket, Rpm Sensor
14	1	610-134	Brkt, Powerpack - Side Mnt
15	2	811-09	Washer, Nut
16	2	811-15	Washer, Square Lock
17	1	10011B	Sensor, Speed
18	1	10040C	Cable, Throttle - Finger
19	2	10255C	Wldt, Powerpack Nut
20	1	10509C	Throttle, Finger
21	1	ECH730	Engine, Kohler 23HP EFI
22	1	25 050 42	Filter, Fuel
23	2	103-71	Screw, IHWH T/C 1/4-20x1.25 Zn
24	2	112-163	HHCS 3/8-16x2.0 Gr5 Zn Full
25	1	12 050 01	Filter, Oil - Kohler
26	1	10329C	Cable, Battery Negative
27	1	24 083 03	Filter, Air ECH730
28	1	127-93	Plug, Black Nylon - 7/16" ID
29	1	24 083 05	Prefilter, Air ECH730



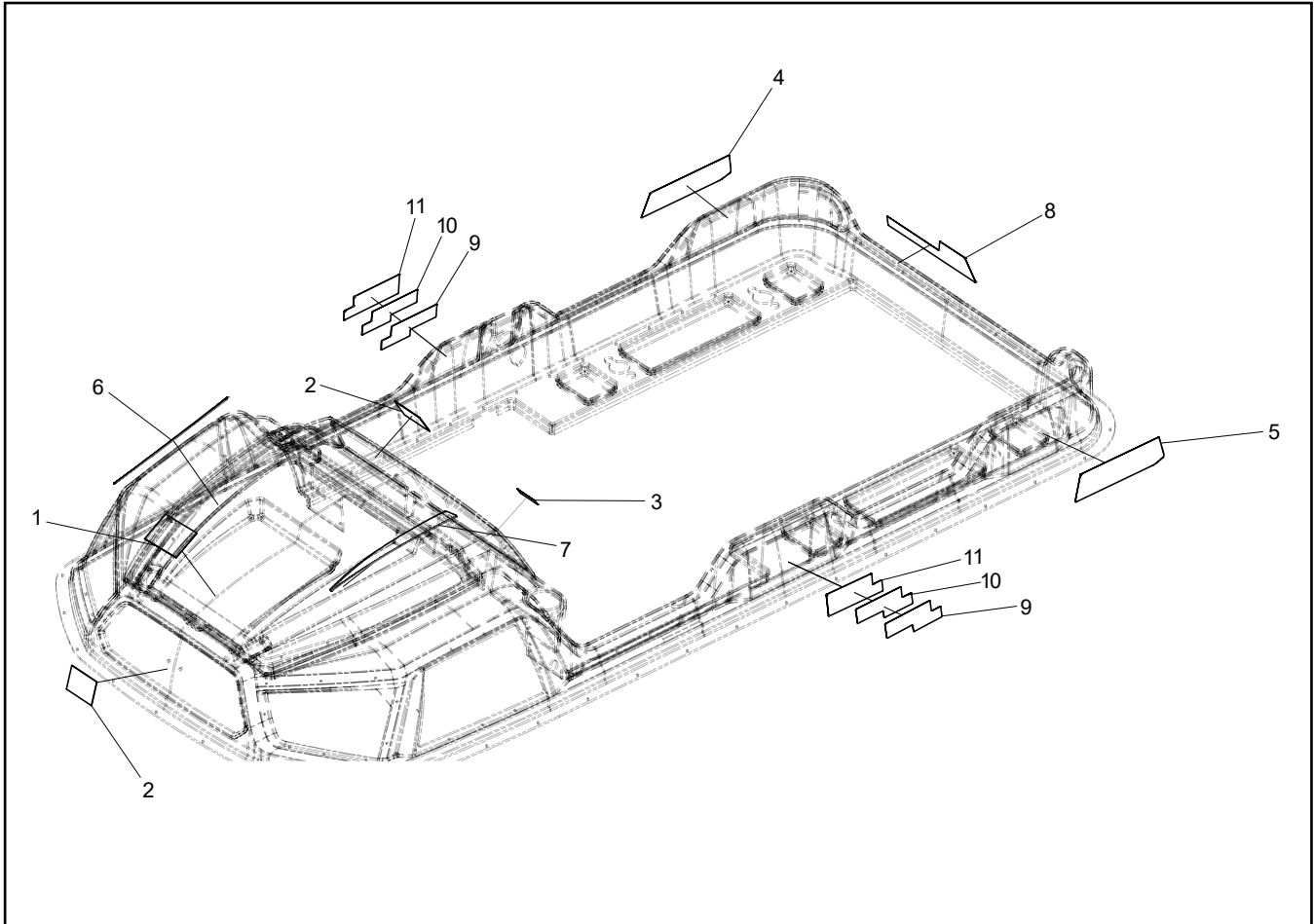
Ref.	Qty.	Part #	Description
1	4	108-24	Washer .34x.70x.06 Zn
2	4	108-103	Washer, 0.51x0.94x0.10, Zn
3	3	112-58	HHCS 5/8-11x7.5 Gr5 Zn
4	2	112-153	HHCS 1/4-20x1/2" Gr8 Zn
5	4	112-189	HHCS 1/2-13x1.25 Gr5 Zn
6	4	117-21	Locknut, TD 5/16-18 Bnz
7	3	117-83	Locknut, Stover 5/8-11 Zn
8	2	200-0006	Insert, 7/16-14 Ext - 1/4-20 Int
9	1	300-0033	Wldt, Pwr Pack - 8x8 Classic
10	1	300-0138	Wldt, Powerpack - B&S
11	1	300-0227	Bracket, RPM Sensor
12	1	600-0016	Harness, 18/23HP Briggs
13	2	811-09	Washer, Nut
14	2	811-15	Washer, Square Lock
15	1	10011B	Sensor, Speed
16	1	10040C	Cable, Throttle - Finger
17	1	10058C	Engine, 23HP B&S
18	2	10255C	Wldt, Powerpack Nut
19	1	10509C	Throttle, Finger
21	2	112-163	HHCS 3/8-16x2.0 Gr5 Zn Full
22	2	103-71	Screw, IHWH T/C 1/4-20x1.25 Zn
23	1	600-0043	Cable, Battery Negative
24	1	600-0044	Relay, Micro 280 - SPDT
25	1	10120B003	Male Tab Adapter, #10 Ring Tongue
26	1	400-0036	Cable, Choke
27	1	400-0001	Fuel Filter, Briggs
28	1	126-95	Filter, Oil-Briggs

15.0 Labels

2021 Frontier 8x8 Parts Manual



Ref.	Qty.	Part #	Description
1	1	700-0285	LABEL, FLOOR PAN
2	1	700-0288	LABEL, OPERATION
3	1	129-08	PLATE, PIN - BLANK
4	1	129-09	PLATE, CAPACITY - BLANK
5	1	129-14	PLATE, SHIFT PATTERN - CLASSIC
6	1	700-0289	LABEL, WARNING HOT
7	1	700-0286	LABEL, FUEL
8	1	600-0041	LABEL, FUSE PANEL
9	1	10549C	LABEL, IGNITION
10	12	120-24	RIVET, ALUM - 3/32 x 3/8 BLACK



Ref.	Qty.	Part #	Description
1	1	10610C	DECAL - ARGO SHIELD - FLAT
2	2	10503C	DECAL, SHIELD DOMED
3	1	700-0023	DECAL, APS - 3.00 X 0.88
4	1	700-0307	DECAL, FRONTIER - REAR RH
5	1	700-0308	DECAL, FRONTIER - REAR RH
6	1	700-0309	DECAL, FRONTIER - HOOD RH
7	1	700-0310	DECAL, FRONTIER - HOOD LH
8	1	700-0311	DECAL, FRONTIER - BACK RH
9	2	700-0315	DECAL, FRONTIER - 650 8X8
10	2	700-0316	DECAL, FRONTIER - 700 8X8
11	2	700-0317	DECAL, FRONTIER - 700 SCOUT 8X8



1



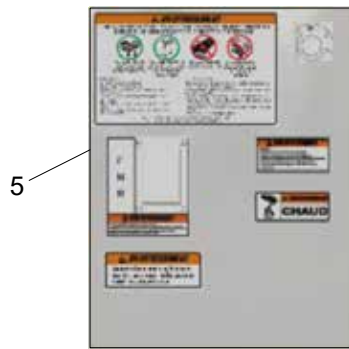
2



3



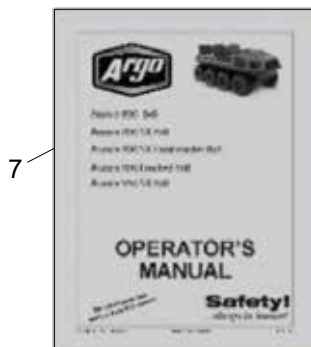
4



5

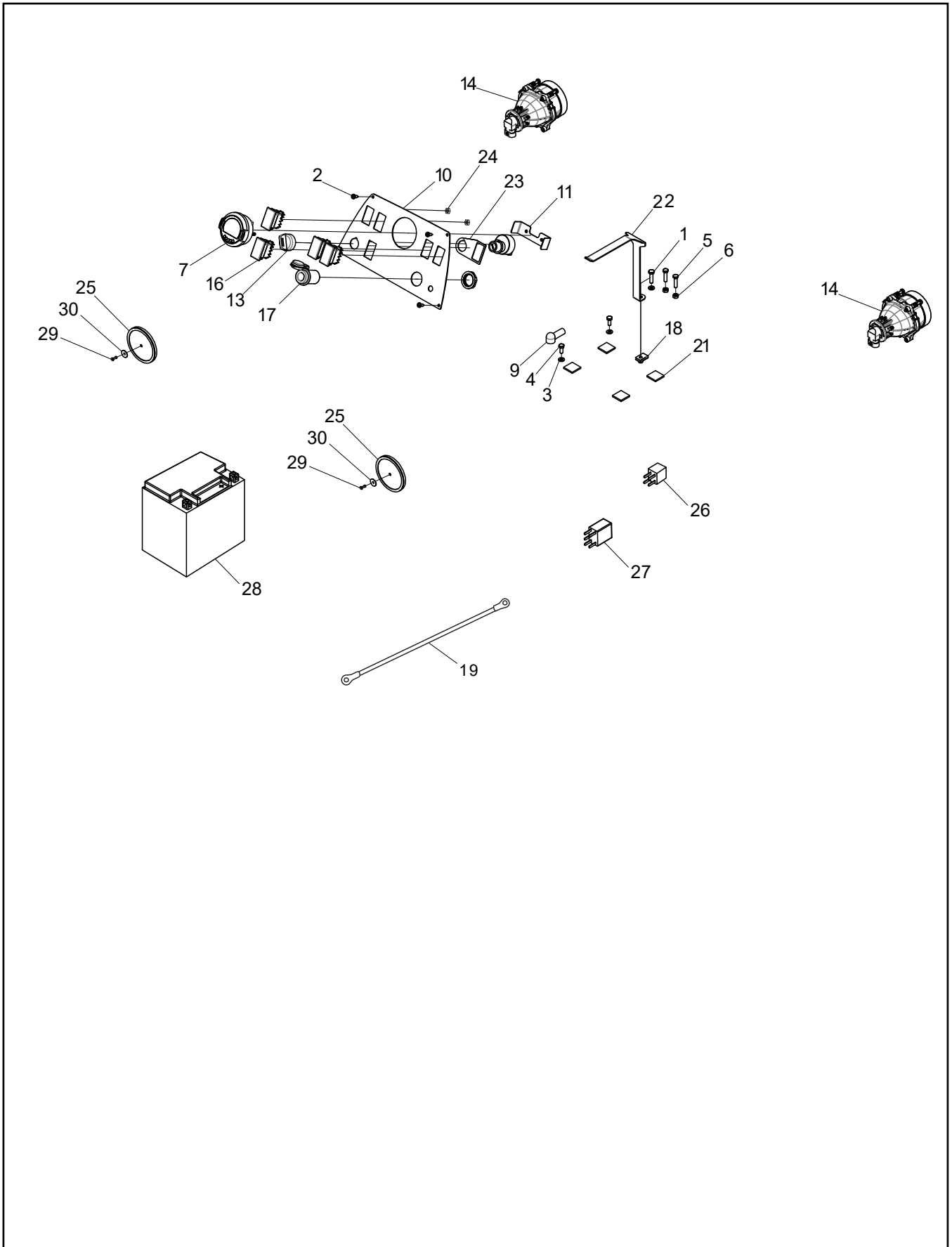


6



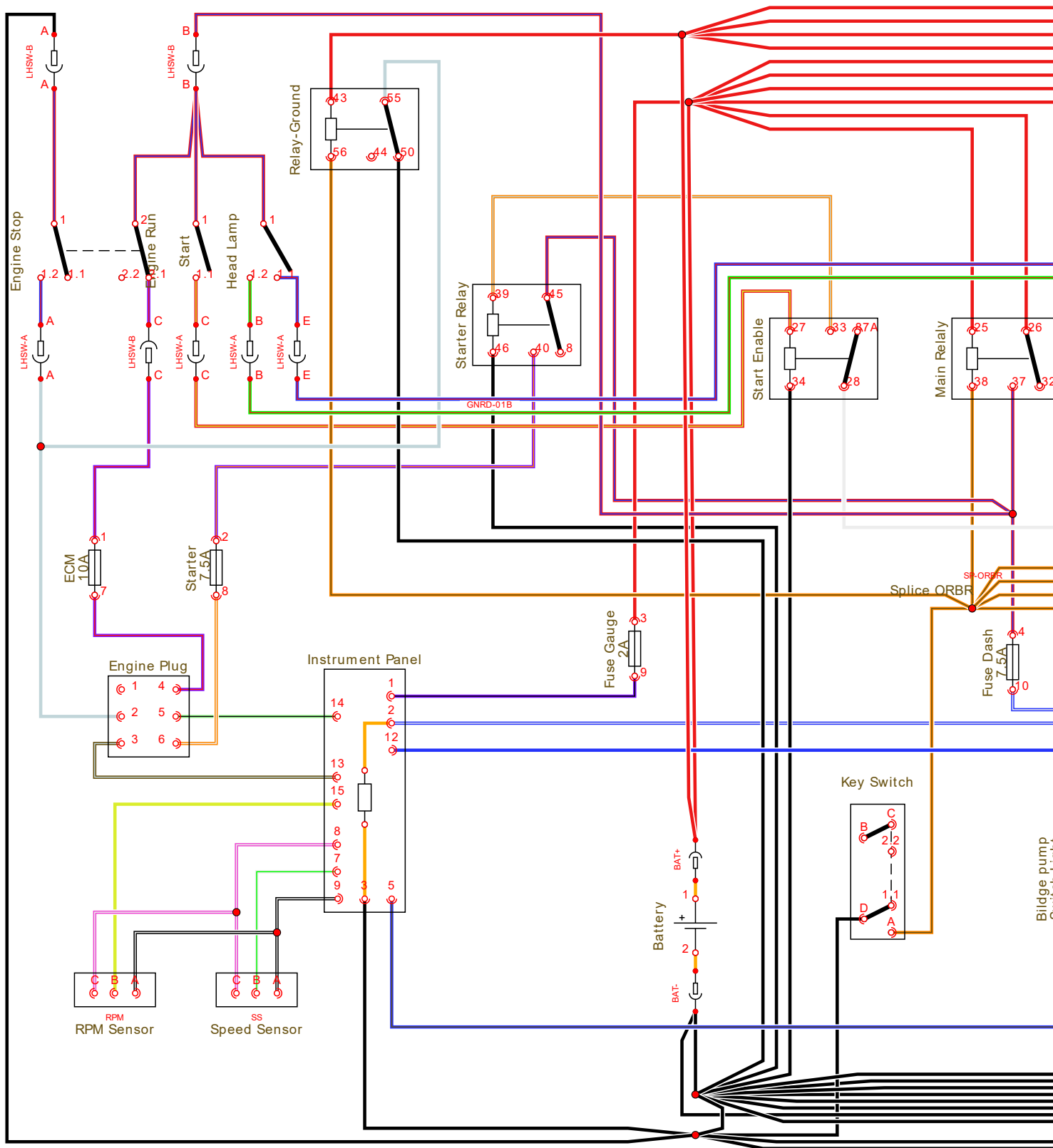
7

FUSE PANEL LABELS - EN FR RU SP			
Ref.	Qty.	Part #	Description
1	1	127-298	Label, Fuse Panel, Argo
2	1	127-298FR	Label, Fuse Panel, Argo-FR
3	1	127-298RU	Label, Fuse Panel, Argo-RU
4	1	127-298SP	Label, Fuse Panel, Argo-SP
LABEL SHEETS - FR RU			
Ref.	Qty.	Part #	Description
5	1	10670C	Label Sheet, Frontier - French
6	1	10671C	Label Sheet, Frontier - Russian
OPERATOR'S MANUAL - EN			
Ref.	Qty.	Part #	Description
7	1	100-0103	Operator's Manual, Frontier

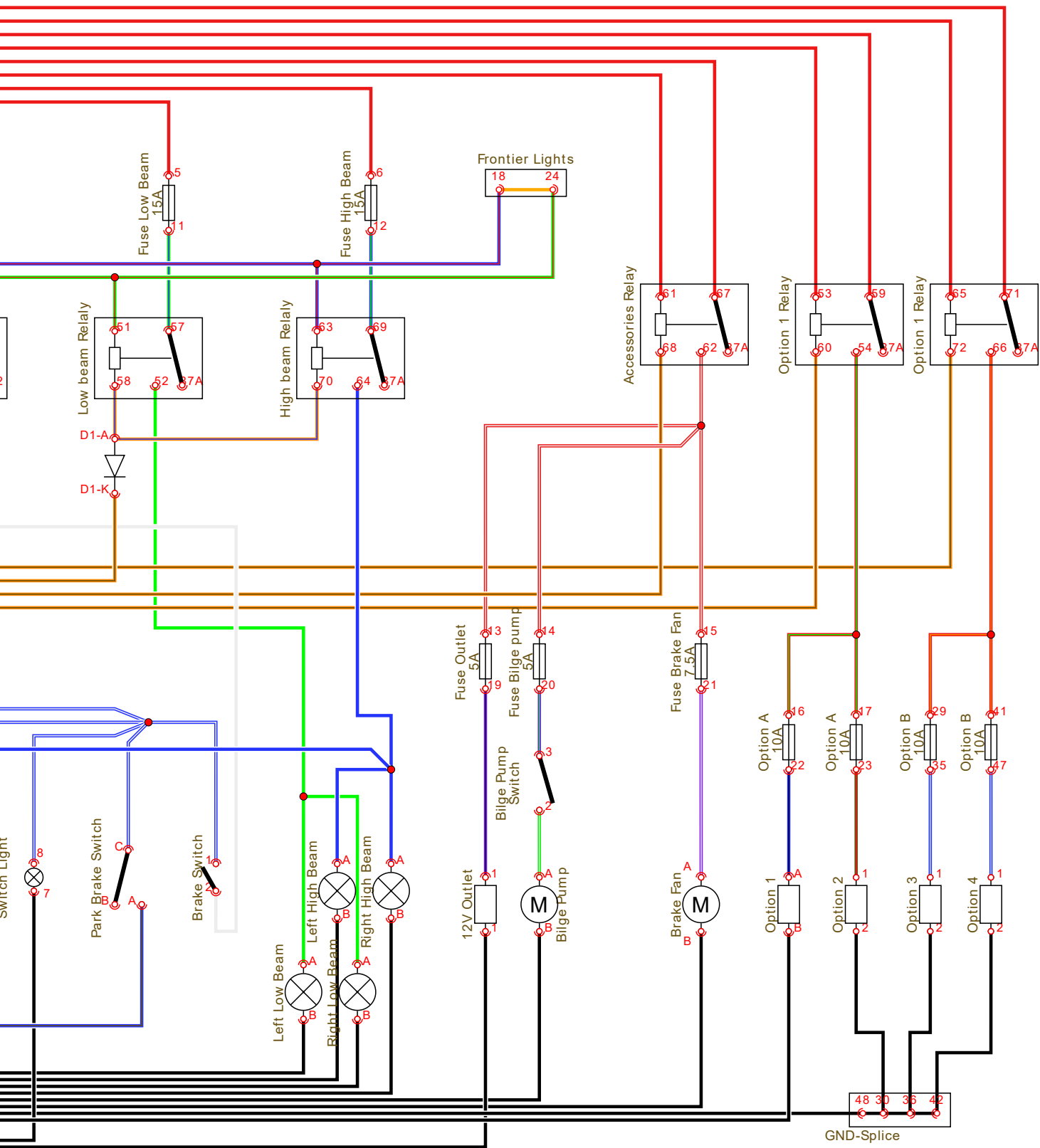


Ref.	Qty.	Part #	Description
1	1	103-08	HHCS 1/4-20x1.0 Bnz
2	4	103-48	T/S Pan HD Phil #10x5/8 A Blk
3	3	108-03	Lockwasher 1/4 Split Ring Zn
4	2	112-118	HHCS M6x1,0x15mm
5	2	112-212	HHCS M6x1x25mm, Black Zn
6	2	117-63	Nut, Hex M6x1,0 Zn
7	1	600-0003	Gauge, Instrument Panel
8	1	600-0007	Harness, Main (not shown)
9	1	613-46	Insulator, Terminal (2 Ga.)
10	1	700-0010	Panel, Dash
11	1	700-0011	Bracket, Gauge Mount
12	1	10000B	Handle Switch, Left (not shown)
13	1	10006B	Switch, Ignition
14	2	10008B	Light, Low Beam
16	4	10015B	Switch, Hole Plug
17	1	10016B	Outlet, 12 Volt
18	1	10056A002	Unut, 1/4-20 x .025-.150 PH
19	1	10328C	Cable, Battery Positive
21	4	10331C	Bumper, 1"x1" Adhesive Backed
22	1	10332C	Bracket, Tie Down
23	1	10425C	Spacer, Ignition
24	2	200-0039-001	HXNN, M5x0.8 Gr8.8 Bnz
25	2	700-0060	Reflector, Rear Frontier
26	1	118-79	Relay, Ultra Micro, SPNO 20A
27	1	600-0044	Relay, Micro 280 - SPDT
28	1	10005B	Battery, YIX30L - 12V
29	2	120-09	Rivet - 3/16 x 1.0 Black
30	1	120-04	Washer .19x.50x.08 BNZ

16.1 Main Wire Harness - Schematic 2021 Frontier 8x8 Parts Manual



2021 Frontier 8x8 Parts Manual 16.1 Main Wire Harness - Schematic



ARGO Products Manufactured by:

Ontario Drive & Gear Limited

220 Bergey Court

New Hamburg, Ontario

Canada N3A 2J5

Phone: (519) 662-2840

Fax: (519) 662-2421

www.argoxtv.com

ODG *Dedicated to quality and performance*