

***Argo 8x8***  
***Frontier***



***Argo 8x8***

**2019**  
**PARTS MANUAL**

***Frontier 700 8x8***

(23 HP Kohler Engine w/Classic Transmission)

*\* For factory installed accessory parts included with your vehicle see Accessories Manual 677-01 (2019)*

# Foreword

ODG has prepared this parts manual for the 8x8 FRONTIER model to assist both qualified mechanics and vehicle owners in ordering correct, quality replacement ARGO parts. For the most current parts manual visit our website at [www.argoxtv.com](http://www.argoxtv.com).

Proper and regular service, and replacing old, worn or broken parts with the correct ARGO replacement parts, are both essential to prolonging the life of the ARGO. Please refer to this parts manual and/or our website [www.argoxtv.com](http://www.argoxtv.com) before ordering any replacement part.

All information contained in this 8x8 FRONTIER Parts Manual is based on the latest product specification available at time of printing. If your 8x8 FRONTIER differs from the specifications contained in this manual, check our website [www.argoxtv.com](http://www.argoxtv.com) for the most current information.

ODG reserves the right to alter specifications on the 8x8 FRONTIER model at any time, without obligation or prior notification.

Reproduction of this 8x8 FRONTIER Parts Manual, in whole or in part, is prohibited without prior written permission from Ontario Drive & Gear Limited.

## Vehicle Identification

**8x8 FRONTIER** - Serial Nos. .... last 5 digits of V.I.N.

## Explanation of Parts Manual Format

<b>Ref</b>	- Reference number between assembly diagram and component parts list
<b>Part No.</b>	- Argo replacement part number for identification and re-ordering
<b>Description</b>	- Part description for identification and re-ordering
<b>Qty</b>	- Indicates the quantity of a part used in an assembly

# ARGO 8x8 Frontier



## Using the Parts Manual

1. Find the major vehicle assembly in the Table of Contents on this page, and turn to that section.
2. Locate the part in the illustration that you wish to order.
3. Refer to the parts list in that section.
4. Find the correct part number (Part No.), part description (Description) and correct quantity (Qty).
5. Use *only* this information to order ARGO replacement parts. *DO NOT* attempt to order a replacement part by reference number or page number.

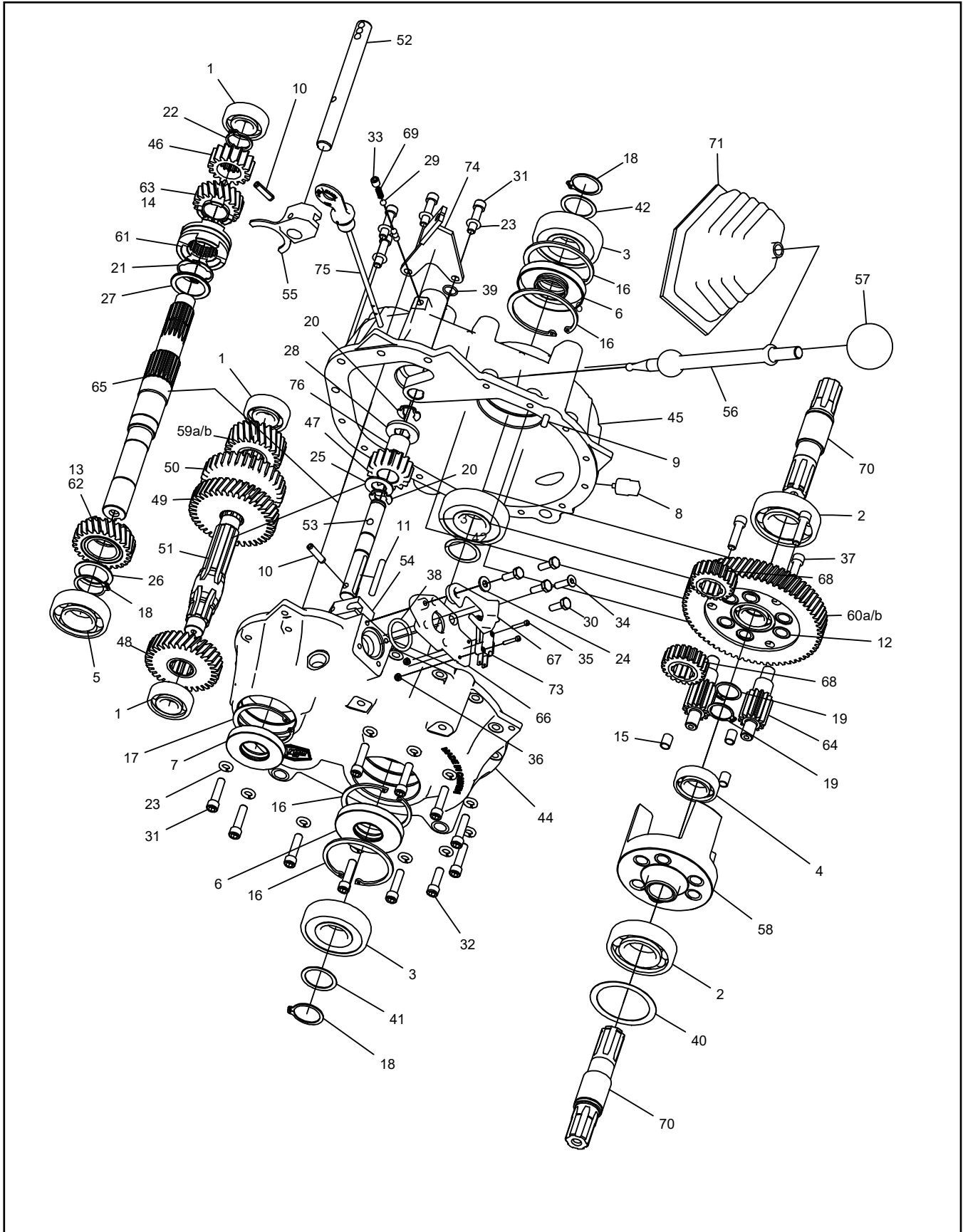
## Table of Contents

Foreword .....	i
Vehicle Identification.....	i
Using the Parts Manual .....	ii
1.0 Transmission .....	2
2.0 Intake and Exhaust System.....	4
3.0 Clutch System .....	6
4.0 Power Pack Assembly .....	8
5.0 Steering & Brake System .....	10
6.0 Parking Brake .....	12
7.0 Vehicle Body & Firewall.....	14
8.0 Frame & Drive System .....	16
9.0 Fuel System & Seat Assembly .....	18
10.0 Electrical System.....	20

*This page intentionally left blank*

# 1.0 Transmission

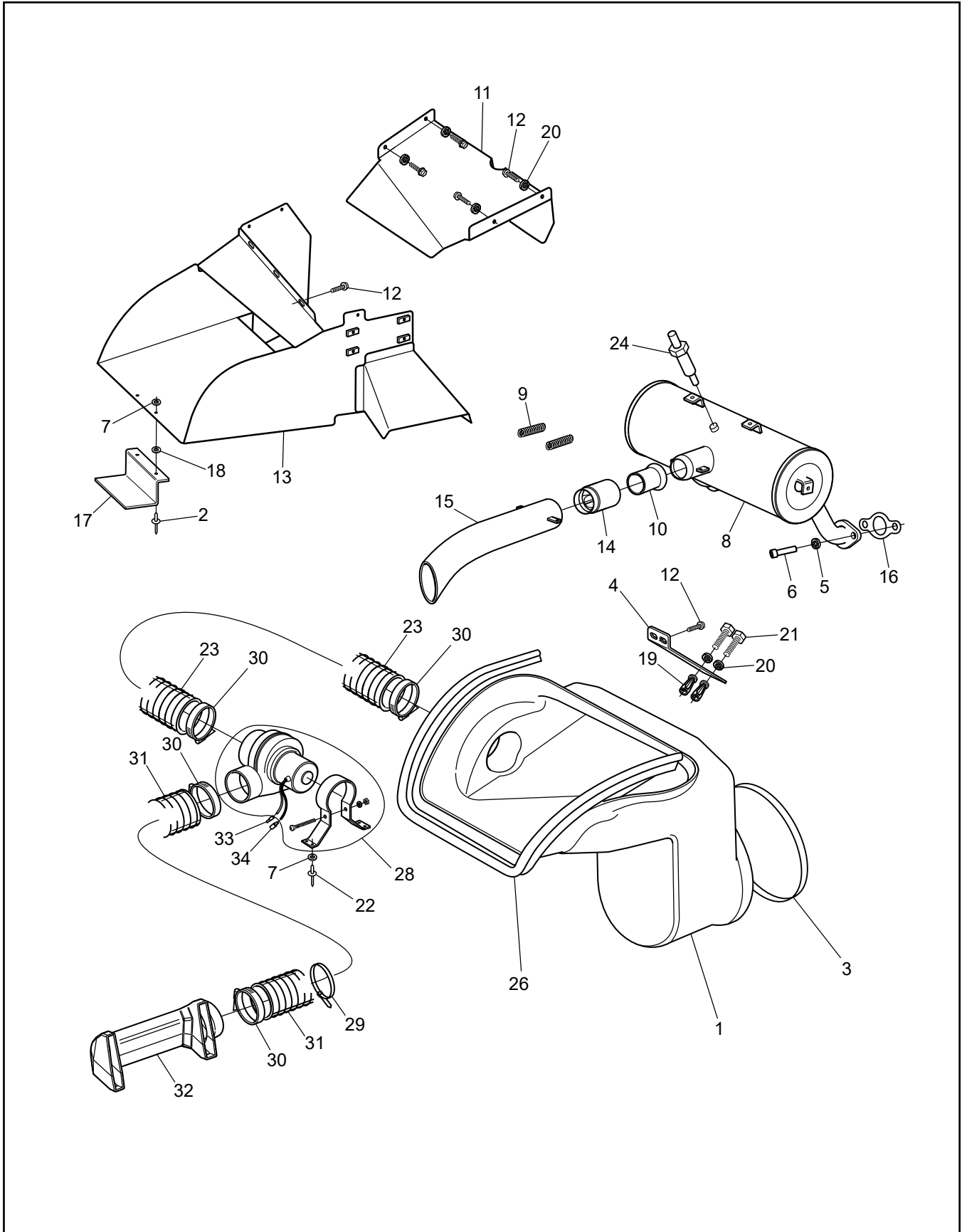
# Frontier 700 8x8 Parts Manual



# Frontier 700 8x8 Parts Manual

# 1.0 Transmission

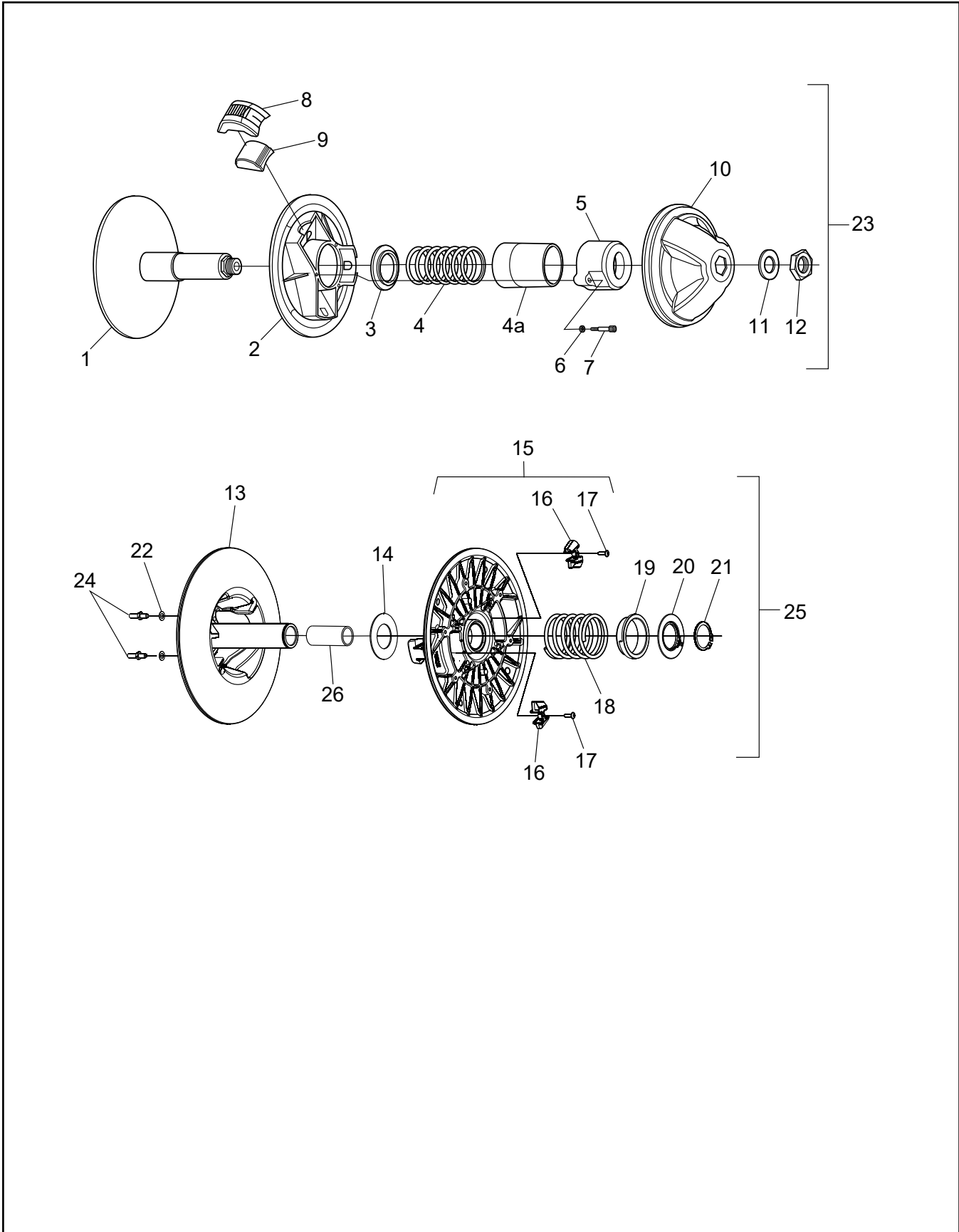
Ref.	Qty.	Part #	Description	Ref.	Qty.	Part #	Description
	1	34-100	Transmission Assy-Std	37	3	112-64	SHCS 5/16-18x1.25
	1	34-100-3.3	Transmission Assy-3.3 Ratio	38	1	113-11	O-RING #AS568-216-70BN
1	3	101-01	BEARING, BALL 6204Z-C3	39	1	113-16	O-RING #AS568-014-70BN
2	2	101-03	Bearing, Ball 6207-C3	40	1	114-01	WASHER, SHIM
3	2	101-05	BEARING, SING BALL6306L LU-C3/2A	41	1	114-04	Washer,Shim 1.19x1.50x.04
4	2	101-15	Bearing, Ball 6005-C3	42	1	114-05	Washer,Shim 1.19x1.50x.02
5	1	101-16	Bearing, Ball 6206-C3	43	1.1L	125-99	TRANSMISSION OIL
6	2	102-03	SEAL,OIL WBS 30x72x10 NB D/LIP	44	1	34-101	Housing, Left Trans.-Mach.
7	1	102-05	SEAL,OIL WBS 30x62x10 NB D/LIP	45	1	34-102	Housing, Right Trans-Mach.
8	1	103-02	PLUG, MAGNETIC 3/8-18NPT SQ.HD	46	1	34-107	Pinion, Reverse - 16T
9	2	104-03	PIN, DOWEL 1/4x7/8	47	1	34-108	Idler, Reverse - 16T
10	2	104-39	Pin, Spring - 1/4 x1.0	48	1	34-109	Gear, High - 33T
11	1	104-40	PIN, DOWEL - 1/4 x 1.75	49	1	34-110	Gear, Low - 39T
12	12	105-03	OILITE BUSHING	50	1	34-111	Gear, Reverse - 33T
13	1	105-20	Bushing, Oilite 1.25x1.5x.625 (PART OF 34-128)	51	1	34-112	SHAFT, SPLINED
14	1	105-21	Bushing, Oilite 1.0x1.125x.875 (PART OF 34-129)	52	1	34-113	Shaft, Shift - Forward
15	3	105-23	BUSHING, DOWEL - .312 x .5	53	1	34-114	Shaft, Shift - Reverse
16	4	106-03	RETAINING RING HO-281PA	54	1	34-115	Block, Shift
17	1	106-05	RETAINING RING HO-244-PA	55	1	34-116	FORK, SHIFT - MACH.
18	3	107-02	RETAINING RING SH-0118-PA	56	1	34-117	LEVER, SHIFT
19	2	107-04	RETAINING RING SH-0098-PA	57	1	34-344	KNOB, SHIFT - PLAIN
20	2	107-11	RETAINING RING PO-0062-PA	58	1	34-122	CAGE, DIFFERENTIAL
21	2	107-14	RETAINING, Ring LC-0125-PA	59a	1	34-125	Pinion, Helical - 21T (3.3)
22	1	107-15	RETAINING RING SHR-98-PA	59b	1	34-123	Pinion, Helical - 25T (std)
23	15	108-05	Lockwasher 5/16 Split-Ring	60a	1	34-124	Gear Plate - 66T (std)
24	1	108-08	WASHER .28x.62x.07	60b	1	34-126	Gear Plate - 70T (3.3)
25	1	108-78	Washer, Thrust .63x1.19x .063	61	1	34-127	Clutch, Dog
26	1	108-79	Washer, Thrust 1.25x1.63x.050	62	1	34-128	Pinion, High - 26T
27	1	108-85	Washer, Retaining Thrust	63	1	34-129	Pinion, Low - 20T
28	1	108-88	Washer, Retaining Thrust	64	6	34-13	GEAR, PLANET - 12T
29	5	109-05	BALL, STEEL 6mm 62-67 Rc	65	1	34-130	Shaft, Input-19/15T SPLINE
30	4	112-04	HHCS 1/4-20 x 3/4 GR2	66	1	34-131	Plate, Shifter/Neutral Start
31	14	112-143	SHCS 5/16 x 1.25	67	1	34-132	Follower, Neutral Start
32	1	112-144	SHCS 5/16 x 1.0	68	2	34-14	SUN GEAR
33	1	112-145	SHSS 5/16-18 x 3/8	69	2	34-32	SPRING, COMP. 0.22x.50
34	1	112-171	FHSC 1/4-20 x 3/4 GR2	70	2	34-98	SHAFT, OUTPUT
35	2	112-172	SHMS, #5-40x3/4	71	1	609-38	Boot, Shifter
36	2	112-173	LOCKNUT, #5-40	72	1	613-112	Wire Harness,Neutral Safety
				73	1	809-202	SWITCH, LIMIT - 2 POLE
				74	1	850-72	Bracket, Park Brake Cable
				75	1	CE-035	Dipstick w/Breather
				76	1	101-06	Bearing Needle,Timken BH-1012



Ref.	Qty.	Part #	Description
1	1	809-15	Duct, Intake - Frontier
2	2	120-13	Rivet, 3/16 x 3/4" Black
3	1	807-77-30	Seal, Radiator, 30
4	1	707-55	Bracket, Intake Duct - Frontier EFI
5	4	108-02	Lockwasher 5/16 Hi-Collar Bare
6	4	112-30	SHCS M8x1,25 x 20 mm
7	4	120-04	Washer, .19 x .50 x .08
8	1	607-121	Muffler Ass'y, Avenger EFI
9	2	127-187	Spring, Extension - 17/32 x 3.75
10	1	607-135	Tube, Muffler, Flared x 2.0
11	1	607-210	Shield, Heat, Frontier EFI
12	9	112-19	Screw, IHWH T/C Slot 1/4-20 x 1/2
13	1	607-164	Duct, Exhaust - Frontier
14	1	607-171	Spark Arrester - ODG
15	1	607-134	Pipe, Tail Asy
16	2	24 041 49	Gasket, Exhaust Manifold
17	1	707-45	Support, Exhaust Duct
18	2	125-58	Washer, Fibre - W-77F
19	2	117-53	Nut, Jack 1/4-20 8L-JNS
20	6	108-03	Lockwasher 1/4 Split Ring
21	2	103-97	HHCS 1/4-20 x 1.25 Gr5
22	4	120-09	Rivet, 3/16 x 1.0 Black
23	1	127-140	Hose, Brake Fan Inlet
24	1		<b>See Section 4.0 Power Pack Assembly</b>
26	1	807-77-56	Seal, Radiator, 56"
28	1	127-184	Blower Fan
29	1	100-102	Tie Wrap, 14" - White
30	4	125-35	Clamp, Gear 3.50" HF-52
31	1	127-139	Hose, Brake Fan Discharge
32	1	127-134	Duct, Brake Cooling
33	1	118-02	Terminal, Male #76-1251
34	1	118-03	Terminal, Female #76-1289



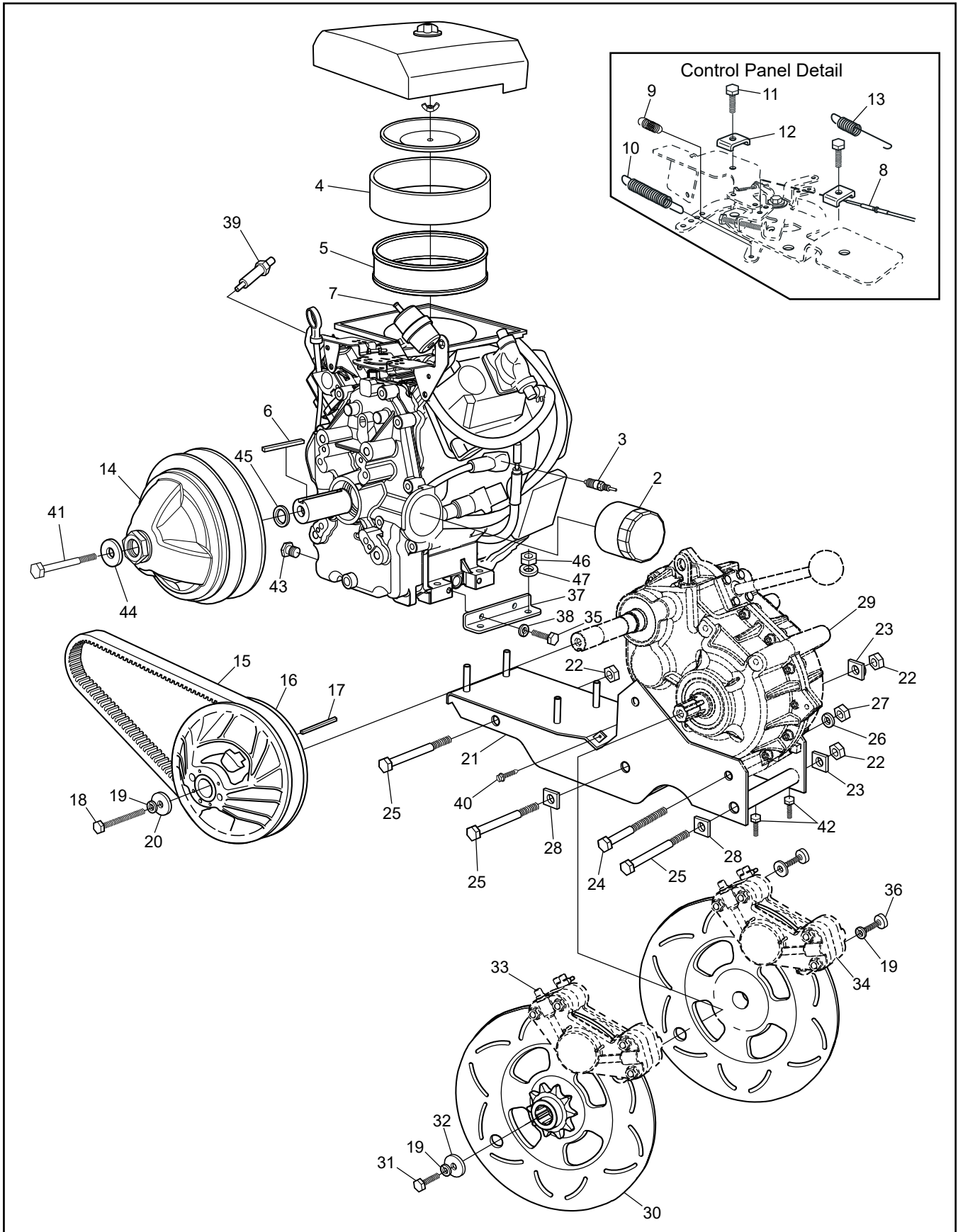
# 3.0 Clutch System



Ref.	Qty.	Part #	Description
1	1	0405-0138	Flange, Fixed
2	1	0410-0033	Flange, Sliding
3	1	0150-1014	Spring Guide Washer
4	1	1151-1114	Spring
4a	1	0450-3002	Guide, Spring
5	1	0440-0005	Spring Cover
6	3	0080-0167	Lockwasher
7	3	0080-0021	Screw, Cap
8	3	0130-3012	Block
9	3	0135-3065	Weight (275gr)
	1	127-208	Weight Set (3), 185g - High Elevation (See Bulletin NP #5)
	1	127-209	Weight Set (3), 220g - High Elevation (See Bulletin NP #5)
	1	127-210	Weight Set (3), 240g - High Elevation (See Bulletin NP #5)
	3	0135-3061	Weight (230gr) - Scout Trim Package
10	1	0115-2061	Cap
11	1	0080-0804	Washer
12	1	V16J1	Nut
13	1	5905-0003	Flange, Fixed
14	1	0080-0164	Washer, Shim
15	1	5910-0002	Flange, Sliding
16	2	5930-3001	Cam Shoe
17	2	0080-0031	Screw
18	1	5951-1009	Spring
19	1	5950-3003	Spring Protector
20	1	5950-3002	Spring Support
21	1	0080-0216	Retaining Ring, Outside
22	2	0080-0167	Lockwasher
23	1	610-126	Clutch, Driver - 650-700
24	2	0080-0035	Screw & Nut Ass'y
25	1	127-156	Clutch, Driven - INVANCE
26	1	5940-2001	Keyway Stopper

# 4.0 Power Pack Assembly

# Frontier 700 8x8 Parts Manual



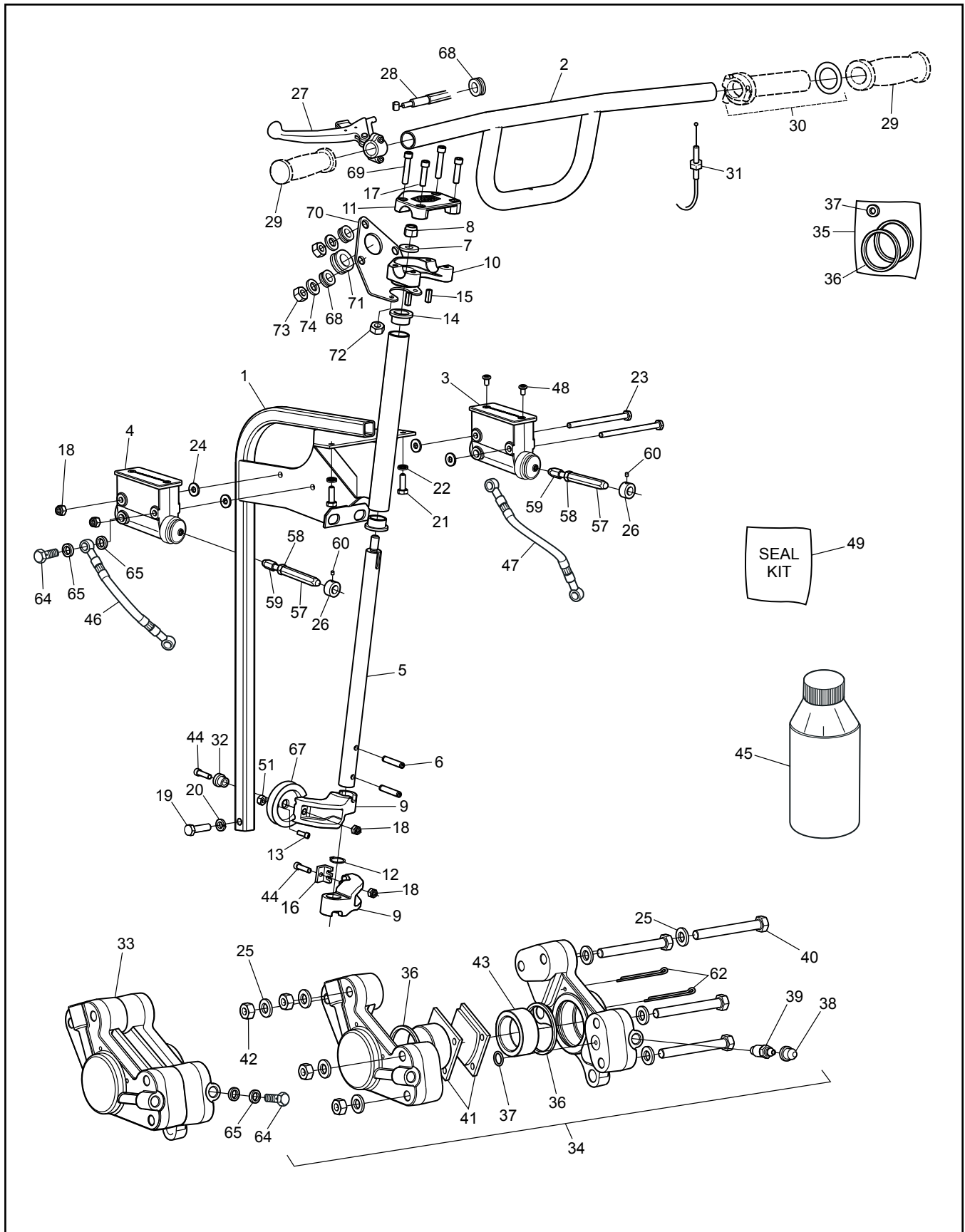
## Frontier 700 8x8 Parts Manual

## 4.0 Power Pack Assembly

Ref.	Qty.	Part #	Description	Ref.	Qty.	Part #	Description
1	1	ECH730-3062	Engine, Kohler 23HP EFI	31	2	103-18	HHCS 3/8-24 x 1.25 Gr5
	1	ECH630	Engine, Kohler 19HP EFI (Opt.)	32	2	108-18	Washer .40 x 1.37 x .12
2	1	12 050 01	Filter, Oil - Kohler	33			<b>See Section 5.0 Steering &amp; Brake System</b>
3	2	25 132 12	Sparkplug 3071	34			<b>See Section 5.0 Steering &amp; Brake System</b>
4	1	24 083 05	Prefilter, Air ECH730	35	2	112-20	HHCS M8x1,25x25mm
5	1	24 083 03	Filter, Air ECH730	36	4	103-41	SHCS 3/8-16 x 1.25
6	1	110-18	Key 1/4 x 1/4 x 1.75 RC45	37	1	610-134	Brkt, Powerpack - Side Mnt
7	1	25 050 42	Filter, Fuel	38	2	108-05	Lockwasher 5/16 Split-Ring Zn
8	1	612-101	Cable Asm, Throttle- FRN/AVG	39	1	25 418 07	Sensor, Oxygen 4 Wire
9	1	24 089 51	Spring, Throttle	40	2	103-71	Screw, IHWH T/C 1/4-20 x 1.25
10	1	24 089 46	Spring, Governor	41	1	112-160	HHCS, 7/16-20 x 5" Lg
11	1	M-545016	Screw	42	2	103-53	HHCS 3/8-16 x 3.0 Full Thread
12	1	12 237 01	Clamp, Cable	43	1	112-156	Plug, Oil Drain 3/8-18NPT Hex
13	1	127-49	Spring, Extension - .375 x 2.55	44	1	108-58	Washer .47 x 1.37 x .12 Hi-Carbon
14			<b>See Section 3.0 Clutch System</b>	45	1	108-84	Washer, Engine, Clutch
15	1	127-159	Drive Belt - Frontier - 11.3" Cen. Dist	46	4	117-29	Locknut, Nylon 3/8-16
	1	127-159HD	Drive Belt -Frontier -Heavy Duty (Opt.)	47	4	108-15	Washer, .42 x .81 x .05
16			<b>See Section 3.0 Clutch System</b>				
17	1	110-03	Key 1/4 x 3/16 x 2.375 RC46				
18	1	112-164	HHCS 3/8-16 x 3.50 Gr5				
19	7	108-06	Lockwasher 3/8 Split Ring				
20	1	108-46	Washer .40 x 1.37 x 1.2 Hi-Carbon				
21	1	610-131	Frame, Power Pack FR EFI				
22	3	117-83	Locknut, Stover 5/8-11				
23	2	811-09	Washer, Square - .64 ID				
24	2	103-20	HHCS 1/2-13 x 6.5 Gr5				
25	3	112-58	HHCS 5/8-11 x 7.5 Gr5				
26	2	108-107	Lockwasher 1/2" High Alloy				
27	2	117-06	Nut, Fin Hex 1/2-13 Zn				
28	2	811-15	Washer, Square Lock .64 ID				
29			<b>See Section 1.0 Transmission</b>				
30	2	606-74	Disc, Brake-Splined #60-10T				

# 5.0 Steering & Brake System

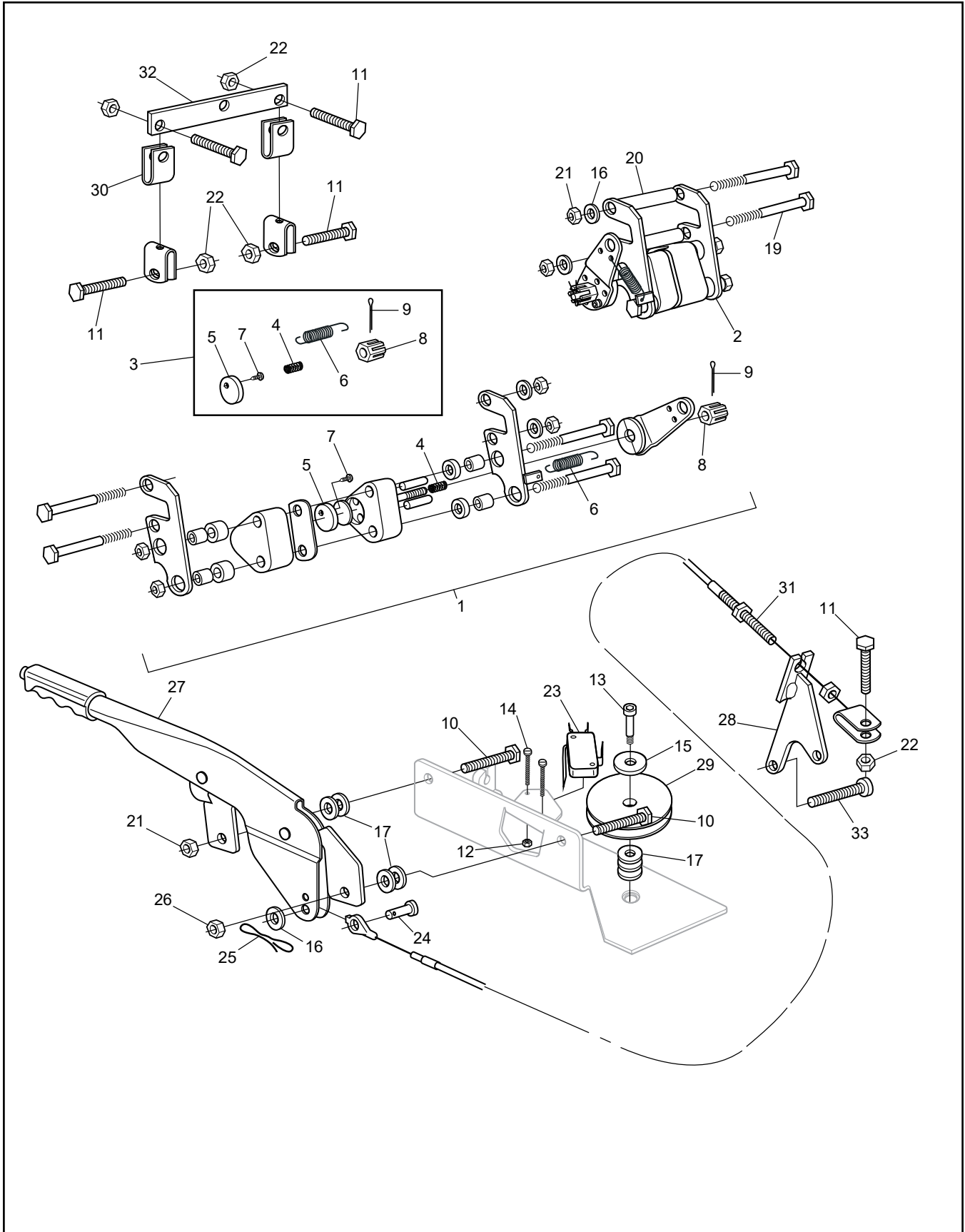
# Frontier 700 8x8 Parts Manual



Ref.	Qty.	Part #	Description	Ref.	Qty.	Part #	Description
1	1	612-123	Frame Assembly, Steering Column	45		126-19	Fluid, Brake-Silicon Dot 5 - .35L
2	1	612-107	Handlebar Assembly	46	1	163-06	Hose Asm, Hydraulic - Right - SS
3	1	165-58	Master Cylinder, RH Wilwood	47	1	163-05	Hose Asm, Hydraulic - Left
4	1	165-57	Master Cylinder, LH Wilwood	48	2x2	160-42	Screw, FHMS M5 x 0,8 x 6mm
5	1	612-128	Shaft, Steering - Avenger	49	1	165-37	Piston Seal Kit - Wilwood
6	2	104-42	Pin, Spring 1/4 x 1.5"	51	1	117-10	Locknut, 10-24 N/I
7	1	108-47	Washer, .39 x .94 x .13	57	2	812-30	Pin, Female
8	1	117-29	Locknut, Nylon 3/8-16	58	2	117-03	Nut, Fin Hex 1/4-20
9	2	612-124	Arm, Steering	59	2	812-31	Pin, Male
10	1	612-106	Clamp, Lower Handlebar	60	2	112-02	SHSS 10-24x1/4 Knurl Cup PT, PL
11	1	612-105	Clamp, Upper Handlebar	62	2x2	168-07	Pin, Cotter 1/8 x 3.00
12	1	106-07	Ring, Retaining SH-0075PA	64	4	160-44	Bolt, Banjo - M10 x 1,0 x 21,0
13	1	160-46	SHCS, #10-24 x 3/8"	65	8	160-01	Washer, Copper - 1,5 x 10,0 x 14,0
14	2	105-16	Bushing, Oilite - 3/4 x 1/2	67	1	165-18	Pulley, Handbrake Cable
15	2	110-17	Key, 3/16 x 3/16 x .625	68	4	125-84	Grommet, Rubber
16	1	128-24	Retainer, Handbrake Cable	69	2	103-69	SHCS 1/4-20 x 1.5
17	2	112-47	SHCS, 1/4-20 x 1.0	70	1	612-132	Bracket, LCD Gauge - Painted
18	4	117-27	Locknut, Nylon 1/4-20	71	1	128-27	Grommet 1-1/4ID x 1-1/2x3/32
19	1	103-38	HHCS 5/16-18x1.25 Gr5	72	2	117-86	Nut, Acorn, 1/4-20
20	1	108-05	Lockwasher, 5/16 Split-Ring	73	3	117-85	Nut, Acorn, M5
21	2	112-04	HHCS 1/4-20 x 3/4 Gr2	74	3	120-04	Washer .19 x .50 x.08
22	2	108-03	Lockwasher 1/4 Split Ring				
23	2	103-66	HHCS, 1/4-20 x 4.0 Gr5				
24	4	108-08	Washer, .28 x .62 x .04				
25	2x8	108-24	Washer, .34 x .70 x .06				
26	2	812-17	Collar				
27	1	128-17	Lever Assembly, Handbrake, Spring				
28	1	128-21	Cable Assembly, Handbrake				
29	2	127-35	Grip, Molded				
30	1	127-81	Throttle Twist Grip				
31	1	612-101	Cable Asm., Throttle - Frontier				
32	1	105-25	Bushing, Flange Oilite FF-310				
33	1	166-12	Caliper, Hydraulic Brake - L				
34	1	166-13	Caliper, Hydraulic Brake - R				
35	2	161-05	O-ring Kit, Knott Caliper				
36	4		Seal, Piston				
37	2		Seal, Rubber				
38	2x1	168-20	Plug, Rubber				
39	2x1	168-02	Screw, Bleeding, Knott Caliper				
40	2x4	103-55	HHCS, 5/16-18 x 2.75 Gr5				
41	1	170-03	Pad Set (4), Brake - Non-Asbestos				
42	2x4	117-03	Nut, Fin Hex 5/16-18				
43	2x2	168-01	Piston, Knott Caliper				
44	2	112-159	BHCS, 1/4-20 x 1.0				

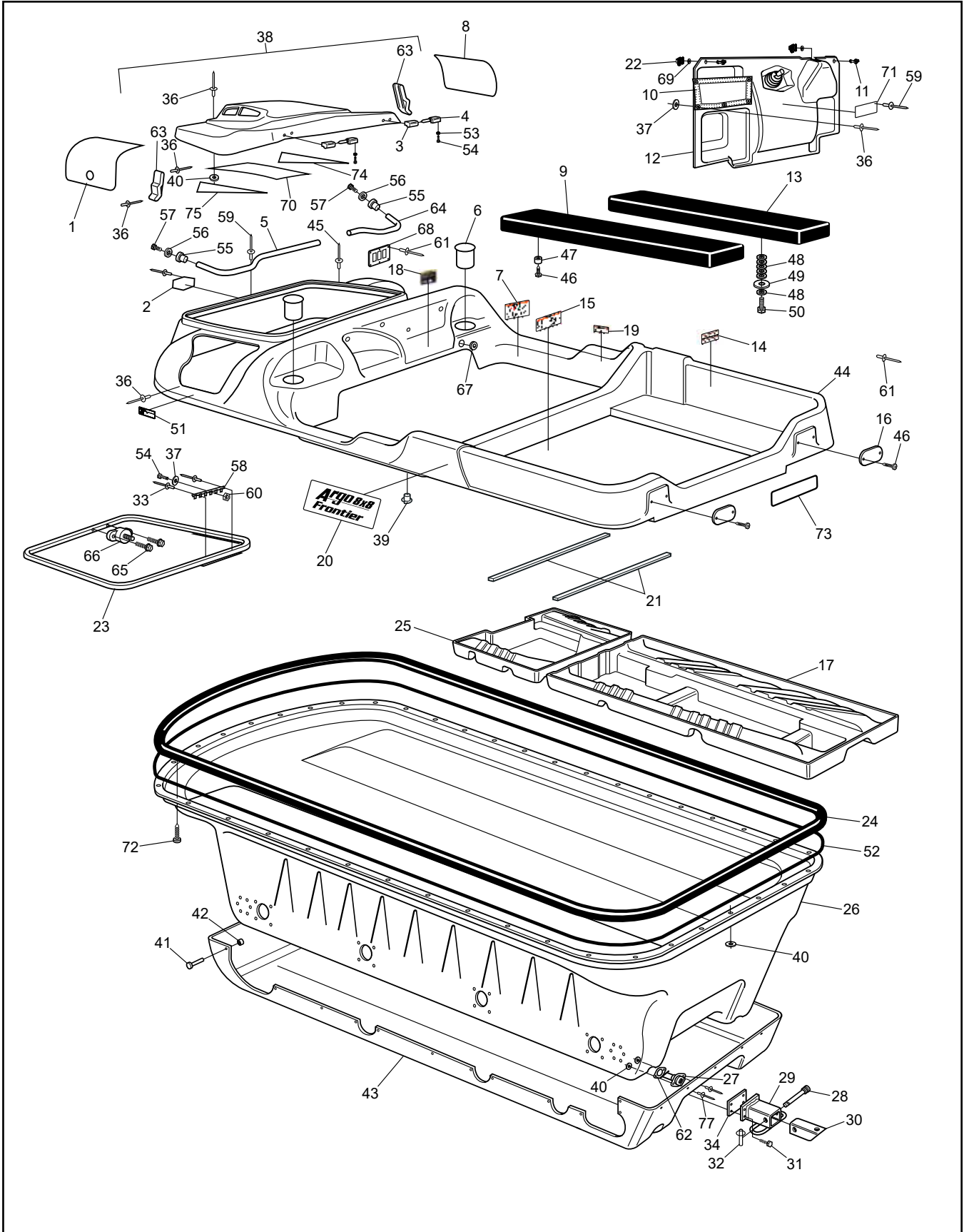
# 6.0 Parking Brake

# Frontier 700 8x8 Parts Manual



Ref.	Qty.	Part #	Description
1	1	850-96	Caliper Ass'y, LH, Parking Brake
2	1	850-97	Caliper Ass'y, RH, Parking Brake
3	1	850-98	Kit, Service, Parking Brake (includes Ref. 4 - 9, not sold separately)
4	1		Cam Tension Spring (compression)
5	1		Left & Right Brake Pads
6	1		Cam Arm Spring (tension)
7	1		Brake Pad Retaining Screw
8	1		Castle Nut
9	1		Cotter Pin
10	2	103-06	HHCS 5/16-18x1.0 Gr5
11	5	103-08	HHCS 1/4-20x1.0
12	2	112-173	Locknut, #5-40
13	1	112-178	Bolt, Shoulder, 1/2 x 5/8
14	2	112-172	SHCS 5-40 x 3/4
15	1	108-35	Washer .53 x 1.06 x .09
16	5	108-24	Washer .34x.70x.06
17	7	108-47	Washer .39x.94x.13
18	1	117-10	Locknut, 10-24 N/I
19	4	112-132	HHCS 5/16-18 x 3.25 Gr5
20	2	105-43	Bushing .37x.03 Wall x 2.1 Lng
21	5	117-21	Locknut, Nylon 5/16-18
22	5	117-27	Locknut, Nylon 1/4-20
23	1	613-120	Switch, Micro, Lever
24	1	104-27	Pin, Clevis 5/16x.75"
25	1	100-140	Pin, Bow & Tie Cotter, 0.091 x 1.875
26	1	117-124	5/16" Nylon Insert Cap Nut
27	1	809-147	Lever, Parking Brake
28	1	850-72	Bracket Asm, Parking/Brake
29	1	850-79	Pulley, Parking Brake Cable
30	2	850-80	Cable, Parking Brake Equalizer
31	1	850-81	Cable, Parking Brake
32	1	850-82	Flat Bar, Equalizer
33	1	112-143/PI	SHCS 5/16x1.25





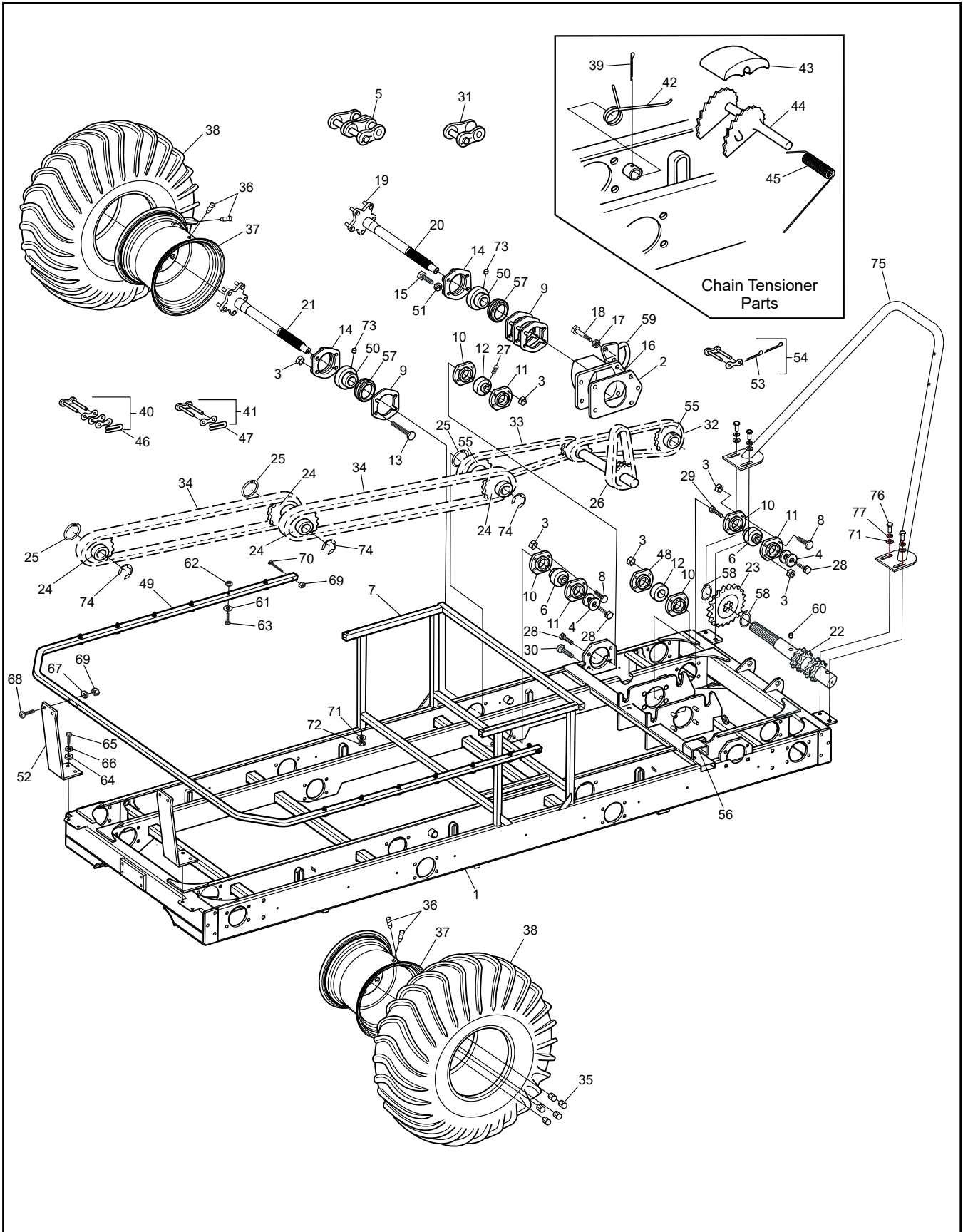
## Frontier 700 8x8 Parts Manual

## 7.0 Vehicle Body & Firewall

Ref.	Qty.	Part #	Description	Ref.	Qty.	Part #	Description
1	1	707-43	Wldt. Exhaust Screen	44	1	801-53	Body & Hood, Upper - Frontier (spec. colour) (incl. 23, 33, 38)
2	1	601-130	Nameplate, "Argo"	45	105	120-09	Rivet 3/16 x 1 - Black
3	2	127-45B	Knuckle, Hinge	46	8	103-48	T/S Pan HD Phil #10 x 5/8
4	2	127-45A	Pin, Hinge	47	4	126-79	Bumper, Plastic - Black
5	1	601-103	Tube, Dash Handle, Pass. Side	48	20	108-25	Washer .31 x .75 x .06
6	2	100-109	Cup Holder Insert	49	4	603-15	Washer, Plastic 5/16 Hole
7	1	126-68	Plate, Operation	50	2	103-08	HHCS 1/4-20 x 1.0
8	1	707-42	Wldt, Intake Screen	51	1	127-144	Label, Warning - HOT
9	1	850-420	Seat, L Rear Bench - Argo 8x8	52	1	126-60	Vinyl Strip, 1/2" x 1/4" x 37.5'
10	1	100-108	Mesh, Glove Box	53	8	108-59	Lockwasher #10 Int. Tooth
11	2	112-313	Stud, Q-Turn 6mm x 19mm Steel	54	9	103-47	HHCS 10-24 x 1/2
12	1	803-68	Firewall	55	2	113-12	Insert, 1/2-13
13	1	850-421	Seat, R Rear Bench - Argo 8x8	56	2	108-35	Washer .53 x 1.06 x .09
14	1	126-67	Plate, Floor Pan	57	2	112-151	HHCS 1/2-13 x 1" Gr2
15	1	127-173	Plate, Vehicle Capacity	58	1	613-37	Terminal Strip, Ground
16	2	127-01	Reflector, Red	59	17	120-13	Rivet, 3/16 x 3/4 Black
17	1	803-58	Floor Pan, Rear	60	1	117-10	Locknut, 10-24 N/I
18	1	127-141	Label, Caution - Keyswitch	61	38	120-24	Rivet, 3/32 x 3/8 Alum. (all plates)
19	1	126-69	Plate, Fuel	62	2	100-114	Gasket, Drain Plug
20	2	850-368	Nameplate - Argo 8x8 Frontier	63	2	602-56	Latch, Hood - Soft Draw
21	2	601-106	Trim, Vinyl - 30" Black	64	1	601-104	Tube, Dash Handle, Driver Side
22	2	117-126	Clip, Q-Turn 6mm - Steel	65	2	112-51	Screw, IHWH T/C #10-24x5/8
23	1	602-53	Frame Ass'y, Hood - Front	66	1	613-123	Post, Power, 5/16-18, Red
24	1	801-05	Bumper, Vinyl - 8x8	67	1	128-26	Grommet, 1-1/2ID x 1-3/4x1/4
	1	801-202	Bumper, Vinyl - 8x8, Brown - Scout	68	1	127-150	Plate, Switch Mounting -3 Hole
25	1	803-59	Floor Pan, Front	69	2	114-40	Washer, Stud Retainer 6mm
26	1	801-50	Body, Lower	70	1	707-66	Wldt, Hood Screen, Front
27	2	100-107	Plug, Drain - Flanged	71	1	129-14	Plate, Gear Shift Pattern
28	1	104-13	Pin, Toplink - 3/4 x 2.75	72	8	112-292	T/S Washer Hd Phil #8x3/4 Blk
29	1	616-16	Hitch Assembly	73	1	850-400	Nameplate, Frontier S 8x8
30	1	616-19	Tube, Hitch	74	1	707-62	Wldt. Hood Screen, RH
31	4	103-61	HHCS 3/8-24 x 1.5 Gr5	75	1	707-63	Wldt. Hood Screen, LH
32	1	104-11	Pin, Lynch - Ring	76	8	108-42	Washer .21 x 1.0 x .06
33	2	120-15	Rivet - 1/8 x 7/16	77	4	10081A001	Rivet, 3/16 x 0.376 - 0.500 AL
34	1	616-20	Gasket, Rear Hitch				Note: For ultra chrome add UC to part #
35	4	108-15	Washer .42 x .81 x .05				
36	31	120-11	Rivet 5/32 x 9/16 - Black				
37	6	120-05	Washer, .19 x .50 x .04				
38	1	602-57	Hood Kit - Frontier (spec. colour) (incl. 3, 4, 36, 53, 54, 63, 70, 74, 75)				
39	2	117-44	T- Nut 1/4-20				
40	92	120-04	Washer .19 x .50 x .08				
41	36	120-27	Pin, Magna Grip				
42	36	120-28	Collar, Magna Grip				
43	1	801-51	Skid Plate - Black (Opt.)				

# 8.0 Frame and Drive System

# Frontier 700 8x8 Parts Manual

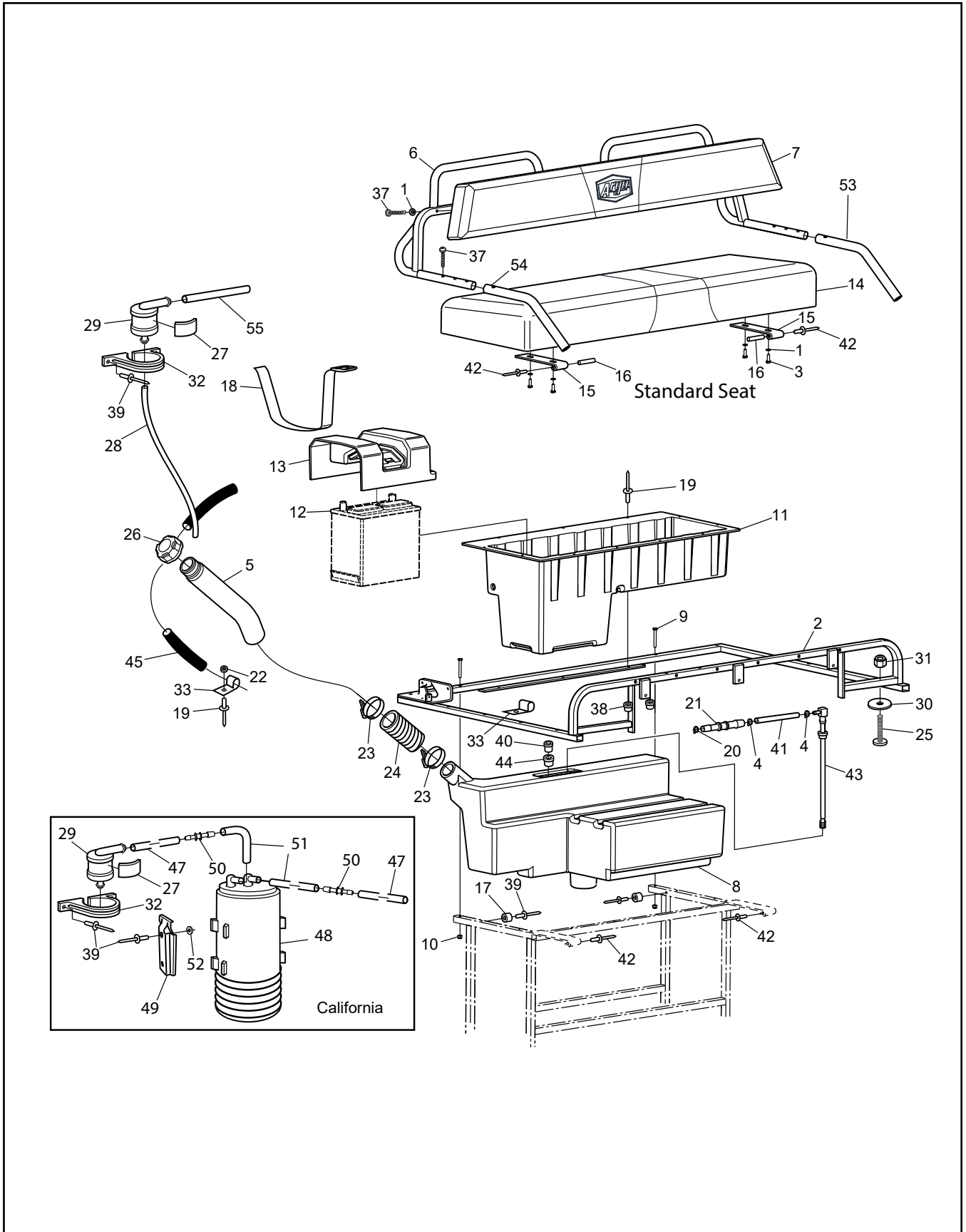


# Frontier 700 8x8 Parts Manual

# 8.0 Frame and Drive System

Ref.	Qty.	Part #	Description
1	1	804-136	Frame Wldt. - 8x8 Frontier
2	4	606-25	Gasket - Bearing Extension
3	80	117-118	Locknut, Nylon 3/8-16, Flanged
4	16	108-46	Washer .40 x 1.37 x .12 Hi-Carbon
5		125-75	Link, Half RC50-2
6	8	101-41	Bearing, Ball - 1.0
7	1	804-138	Frame Wldt, Seat 8x8
8	35	103-88	C/Bolt 3/8-16 x 1.0 Gr5
9	16	606-90	Gasket, Flange - 72mm
10	12	606-91	Flange - 4 Hole Hd
11	10	606-92	Flange, Greasable - 4 Hole Hd
12	4	101-96	Bearing, Ball - 1.25x1.5 No Grv
13	16	112-187	C-Bolt 3/8-16x2.0 Gr5
14	8	606-88	Flange Ass'y, Outer Bearing
15	16	103-68	HHCS 3/8-16 x 2.0 Gr5
16	4	810-112	Bearing Extension w/nuts
17	20	108-34	Washer .47 x .94 x .06
18	20	112-181	HHCS 7/16-20 x 1.75 Gr5
19	5x8	112-183	Stud, Wheel 7/16-20 x 1.5
20	4	810-122	Axle Asm - Forged - FR/RR
21	4	810-123	Axle Asm - Forged - Mid
22	2	810-59	Shaft, Idler - 11T
23	2	606-72	Sprocket, Idler S60 x 21T
24	8	805-143	Sprocket, S60 x 19T-16/32 Int
25	6	106-15	Retaining Ring SH-0137-PA
26	2	803-62	Chain, RC60-1 x 34P Idler-Lambda
27	4	112-60	SHSS 1/4-28 x 1/2 Cup Pt.
28	8	112-31	HHCS 3/8-16 x 1.0 2B Gr8
29	1	112-163	HHCS 3/8-16 x 2.0 Gr5
30	4	112-61	C/Bolt 3/8-16 x 1.25 Gr5
31		127-80	Link, Half - RC60 - 1 (opt.)
32	2	803-55	Chain, RC50-2 x 46P-Front (incl. Ref. 40)
33	2	803-56	Chain, RC50-2 x 74P-Mid (incl. Ref. 40)
34	4	803-57	Chain, RC60-1 x 90P-Rear (incl. Ref. 41)
35	5x8	117-35	Nut, Wheel 7/16-20
36	16	125-26	Valve, Tire
37	8	125-108	Rim - 8" Offset
38	8	127-158	Tire, Argo 24 x 10-8
39	6	100-01	Pin, Cotter 1/8 x 1.50
40	1x4	100-96	Con. Link, RC50-2 H.D.
41	1x4	603-84	Con. Link, RC60-1 H.D.
42	6	127-65	Spring Torsion - 1.16x0.35
43	6	606-44	Slider Block
44	6	606-82	Tensioner Asm, Chain
45	6	127-64	Spring, Torsion - .76 x 1.9

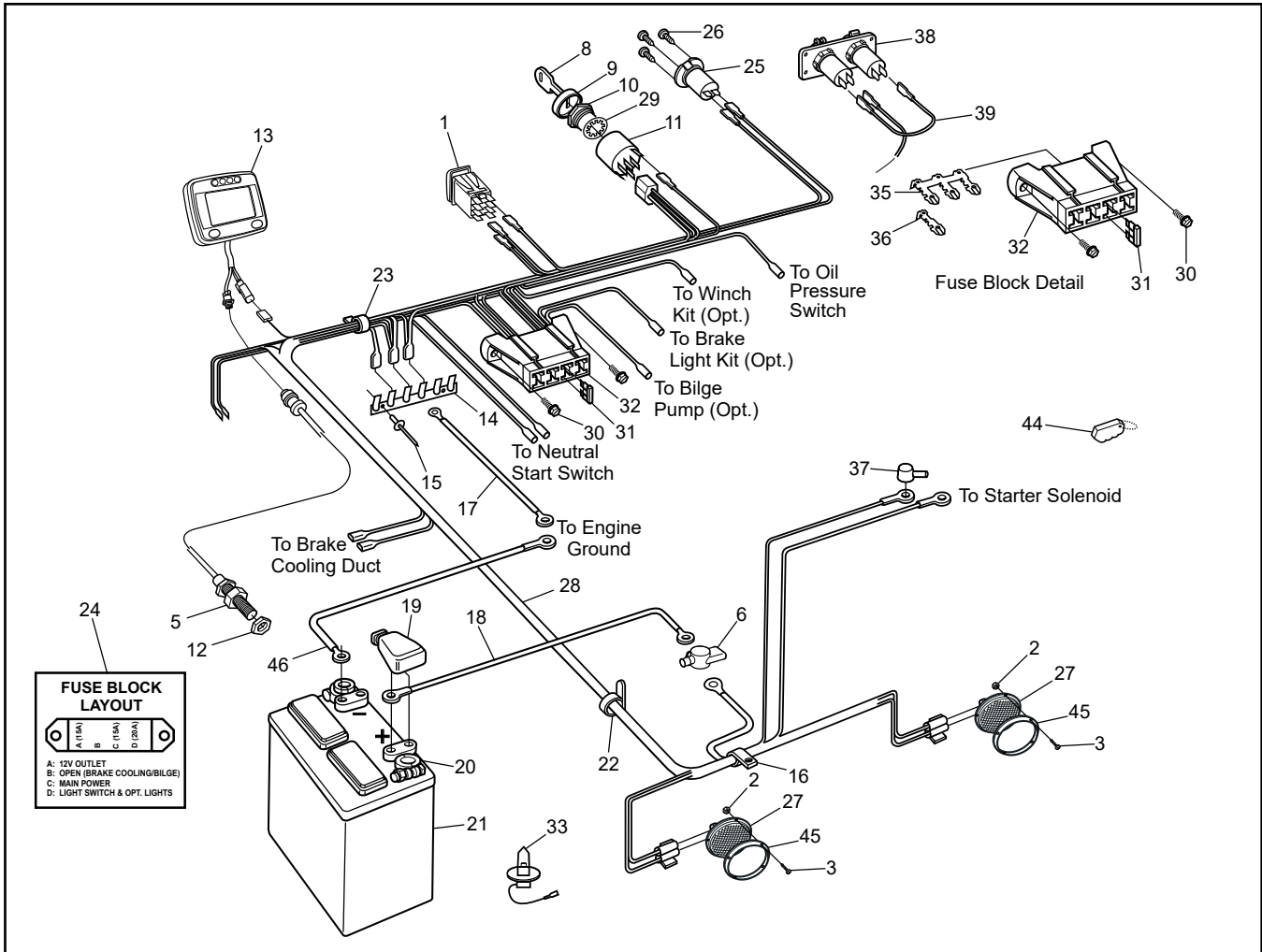
Ref.	Qty.	Part #	Description
46	4	603-95	Spring Clip - RC 50 Closed
47	4	603-96	Spring Clip - RC 60 Closed
48	2	606-93	Flange, Greaseable - 90 Deg. Hd
49	1	806-254	Tube, Rear Hoop, Argo
50	8	101-123	Bearing, Ball - 1.375x72mm
51	16	108-06	Lockwasher 3/8 Split Ring
52	2	806-255	Bracket, Rear Hoop, Argo
53	4	104-35	Pin, Cotter 2mm x 12mm
54	2	127-188	Link, Con. #60 Lambda
55	4	805-144	Sprocket, D50x24T-16/32 Int
56	2	606-43	Slide, Chain - 2-3/4"
57	8	606-89	Carrier, Axle Bearing
58	4	107-10	Retaining Ring SH-0125-PA
59	2	642-47	Tie Down Bracket
60	1	613-127	Magnet, Speedometer
61	14	108-42	Washer .21x1.0x.06
62	14	117-10	Locknut, 10-24 N/I
63	14	112-07	RHMS 10-24x1.50
64	4	108-12	Washer .34x1.00x.06
65	4	103-06	HHCS 5/16-18x1.0 Gr5
66	4	108-05	Lockwasher 5/16 Split Ring
67	4	108-08	Washer .28x.62x.07
68	4	112-215	C/Bolt 1/4-20 x 1.5 Gr2
69	6	117-27	Locknut, Nylon 1/4-20
70	2	112-214	HHCS 1/4-20 x 2 Gr5
71	8	108-24	Washer .34x.70x.06
72	4	117-21	Locknut, Nylon 5/16-18
73	8	112-200	SHSS 5/16-24x5/16 Flat PT 1.375"
74	6	106-34	Retaining Ring, E-Style
75	1	622-81	Hoop ASM, Winch-8x8
76	4	112-01	HHCS 5/16-18x3/4 Gr. 5
77	4	108-05	Lockwasher, 5/16 Split Ring
			<b>Tire, Rim &amp; Valve Assemblies</b>
	8	125-109R	Wheel ASM, 8" Offset Rim, Right
	8	125-109L	Wheel ASM, 8" Offset Rim, Left



Ref.	Qty.	Part #	Description	Ref.	Qty.	Part #	Description
1	8	108-03	Lockwasher 1/4 Split Ring				<b>United States Vehicle Kit</b> Plate, Serial Blank Double Label, U.S EPA EVAP Approval Rivet, Alum - 3/32 x 3/8 Black
2	1	608-132	Frame Assembly, Seat - EFI	1	1	127-273	
3	4	112-04	HHCS 1/4-20x3/4 Gr2	1	1	127-274	
4	2	112-78	Clamp, Hose, 9/16	46	2	120-24	
5	1	608-140	Fuel, Fill Neck Assembly				
6	1	608-186	Weld. Adj. Backrest, Std				
7	1	608-39CF	Back Pad Assembly-Std				
8	1	608-120	Tank, Fuel Low Permeation				
9	2	112-214	HHCS, 1/4-20 x 2.0 Gr. 5 Zinc	1	1	127-273	
10	2	117-27	Locknut, TD 1/4-20 BNZ	1	1	127-274	
11	1	608-54	Toolbox	39	2	120-13	
12	1	127-54	<b>See Section 10.0 Electrical System</b>	46	4	120-24	
13	1	608-55	Cover, Battery				<b>California Vehicle Kit</b> Plate, Serial Blank Double Label, U.S EPA EVAP Approval Rivet - 3/16 x 3/4 Black Rivet, Alum - 3/32 x 3/8 Black Label, Carb EVAP Approval Hose, Vent 3/16" ID - 3.16ft. Carbon Canister 800cc Bracket, Carbon Canister Reducer, Barbed 1/4" to 3/16" Hose, 1/4ID x 3/8OD - 3" Long Washer .19x.50x.04 Tube, L.F. Backrest Tube, R.F. Backrest
14	1	608-88CF	Seat Assembly, Bench - CF	47	1	126-101RM	
15	2	608-81	Hinge, Seat, Bolted	48	1	609-45	
16	2	104-43	Pin, 3/16" x 1-1/8"	49	1	609-46	
17	2	126-102	Bumper, Recessed Hole	50	2	609-48	
18	1	608-56	Strap, Battery	51	2	127-160-3	
19	17	120-09	Rivet 3/16x1 - Black	52	2	120-05	
20	4	112-79	Clamp, Hose, 1/2" Red	53	1	608-191	
21	1	808-133	Reducer, 5/16" to 1/4" Barbed	54	1	608-192	
22	8	120-04	Washer .19 x .50 x .08				
23	2	100-12	Clamp, Gear 2.25" HF-36				
24	1	125-94	Hose, Filler				
25	10	112-07	RHMS 10-24 x 1.50				
26	1	126-100	Fuel Cap, Tethered				
27	1	126-60	Vinyl Strip 1/2" x 1/4"				
28	6'	127-160RM	Tubing, 1/4 ID Clear Plastic				
29	1	609-47	Valve, Rollover				
30	10	108-42	Washer .21 x 1.0x.06				
31	14	117-10	Locknut, Nylon #10-24				
32	1	609-50	Clamp, Rollover Valve				
33	9	126-93	Clamp, Nylon Wire - 1/2" ID				
34	2	702-06	Foam Cushion				
35	2	126-101RM	Hose, Vent 3/16" ID - 2.54ft.				
36	1	112-41	PHMS, Phil 1/4-20 x 1.25 Zn				
37	6	103-03	PHMS, Phil 1/4-20 x 1.50 Zn				
38	2	117-64	Insert, 1/4-20 Steel Cad Pltg.				
39	4	120-13	Rivet, 3/16 x 3/4 Black				
40	1	608-136	Grommet, Fuel Return				
41	2"	608-69RM	Hose, Fuel - 5/16" ID Carb				
42	4	120-31	Rivet, 3/16" x 1/4, Open End				
43	1	608-127	Pick-up, Fuel, 5/16 105 Mesh				
44	1	608-137	Plug, Push-in				
45	1	608-66	Hose, Fuel 1/4" ID, 80"				
55	1	126-101RM	Hose, Vent 3/16" ID				

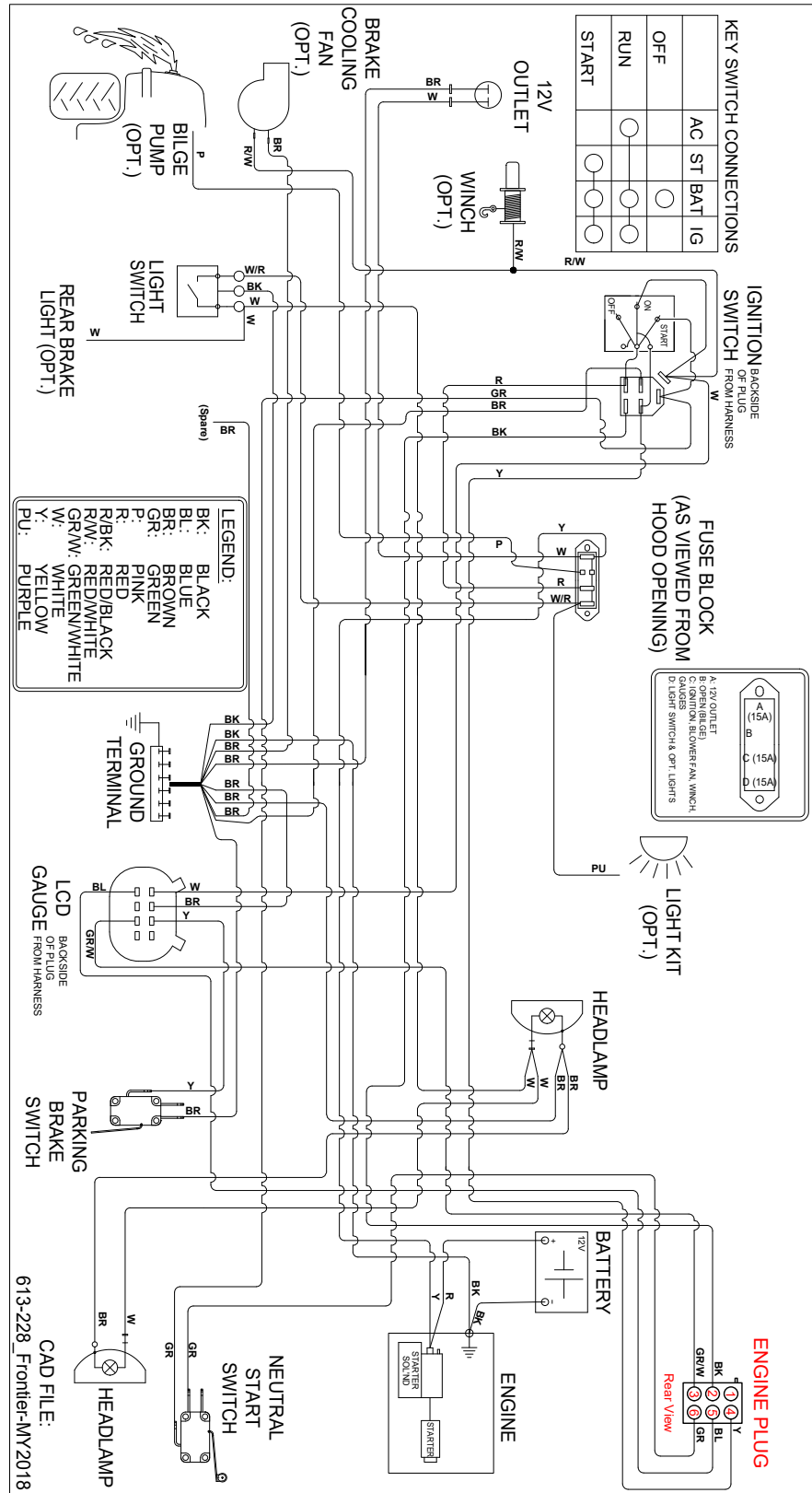
# 10.0 Electrical System

# Frontier 700 8x8 Parts Manual



Ref.	Qty.	Part #	Description
1	1	613-153	Switch, Light
2	8	117-93	Nut, Speed #10
3	8	112-198	T/S Pan Hd Phil #10 x 1 Blk. Zn
5	1	613-226	Sensor, Speedo Pickup 1 Pc.
6	1	613-124	Insulator, 2 Way w/cap, Red
7	1	118-30	Terminal, Eye - #10
8	2	127-108	Key, Molded
9	1	127-107	Cover, Nut
10	1	127-106	Nut, Flanged - Plastic
11	1	127-105	Switch - Ignition
12	1	117-87	Nut, M12 x 1.25, Zn
13	1	613-130	Gauge, LCD
14	1	613-37	Terminal Strip, Ground
15	2	120-15	Rivet 1/8 x 7/16
16	4	127-24	Clamp, Nylon - 1" ID
17	1	613-14	Wire, Ground - 14"
18	1	613-94	Wire, Positive Battery
19	1	127-55	Cap, Battery Terminal - Red
20	2	127-56	Terminal, Battery Post
21	1	127-54	Battery, Exide 45-60
	1	613-161	Battery, Optima - Argo (Opt.)
22	8	100-64	Tie Wrap - 5.5" - Black
23	13	126-93	Clamp, Nylon Wire - 1/2" ID
24	1	127-154	Label, Fuse Panel

Ref.	Qty.	Part #	Description
25	1	613-90	Outlet, 12 V DC
26	4	112-139	#4 Phil Drive Oval Head Screw, Blk.
27	2	613-159	Headlight - 3.75W
28	1	613-228	Wire Harness, Kohler EFI
29	1	114-26	Lockwasher, 5/8 Int. Tooth
30	2	112-51	Screw, IHWH T/C #10-24x5/8
31	3	118-49	Fuse, 15 A 2-prong (AT015)
32	1	118-60	Block Fuse - 8 position (4 fuse)
33	2	127-46	Bulb, Headlight - Halogen
35	1	118-63	Terminal, Fuse - Triple
36	5	118-62	Terminal, Fuse - Single
37	3	613-45	Insulator, Terminal (6 ga.)
38	1	118-80	Outlet, 12V & Twin USB (if equipped)
39	1	613-231	Wire Harness, USB (if equipped)
44	1	681-00	FOB, Key - Floating
45	2	613-152	Bezel, Headlamp
46	1	613-95	Wire, Negative Battery





# **ARGO** Products Manufactured by:

## **Ontario Drive & Gear Limited**

220 Bergey Court

New Hamburg, Ontario

Canada N3A 2J5

Phone: (519) 662-2840

Fax: (519) 662-2421

[www.argoxtv.com](http://www.argoxtv.com)

**ODG** *Dedicated to quality and performance*